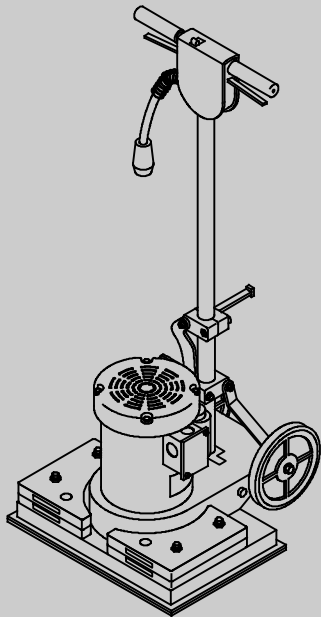




F14

Orbital Floor Machine
Máquina orbital para pisos
Machine orbitale pour les planchers

Operator and Parts Manual
Manual para el operador y de repuestos
Manuel de l'opérateur et des pièces détachées



Model Part No.: 1071993



www.tennantco.com/manuals

9010665
Rev. 03 (12-2013)



INTRODUCTION

This manual is furnished with each new model. It provides necessary operation and maintenance instructions and replacement parts information.



Read this manual completely and understand the machine before operating or servicing it.

INTENDED USE

The orbital floor machine is intended for commercial use, for example in hotels, schools, hospitals, factories, shops, offices and rental businesses. It is designed to scrub floors in an indoor environment and is not constructed for any other use. Use only recommended pads and commercially available floor cleaners intended for machine application. Do not use flammable liquids with this machine. This machine is not intended for cleaning carpets or sanding wood floors.

GENERAL INFORMATION

This machine will provide excellent service. However, the best results will be obtained at minimum costs if:

- The machine is operated with reasonable care.
- The machine is maintained regularly - per the maintenance instructions provided.
- The machine is maintained with manufacturer supplied or equivalent parts.



PROTECT THE ENVIRONMENT

Please dispose of packaging materials and used machine components in a safe environmentally way according to your local waste disposal regulations.



Always remember to recycle.

Tennant Company

PO Box 1452

Minneapolis, MN 55440

Phone: (800) 553- 8033 or (763) 513- 2850

www.tennantco.com

Original Instructions. Copyright ©2012- 2013 Tennant Company. All rights reserved. Printed in U.S.A. Specifications and parts are subject to change without notice.

MACHINE DATA

Please fill out at time of installation for future reference.

Model No. - _____

Serial No. - _____

Installation Date - _____

TABLE OF CONTENTS

IMPORTANT SAFETY INSTRUCTIONS	3
SAFETY LABEL	4
MACHINE COMPONENTS	5
PAD INFORMATION	5
MACHINE SETUP AND OPERATION	6
MACHINE MAINTENANCE	8
TRANSPORTING MACHINE	8
STORING MACHINE	8
MACHINE SPECIFICATIONS	9
PARTS LIST	26
RECOMMENDED STOCKING PARTS	33
ELECTRICAL DIAGRAM	33

IMPORTANT SAFETY INSTRUCTIONS - SAVE THESE INSTRUCTIONS

The following warning alert symbol and “FOR SAFETY” heading are used throughout this manual as indicated in their description:

⚠ WARNING: To warn of hazards or unsafe practices which could result in severe personal injury or death.

FOR SAFETY: To identify actions which must be followed for safe operation of equipment.

The following safety instructions signal potentially dangerous conditions to the operator or equipment.

⚠ WARNING: To Reduce the Risk of Fire, Explosion, Electric Shock or Injury:

- Do not use flammable liquids or operate near flammable liquids, vapors or combustible dusts.

This machine is not equipped with an explosion proof motor. The electric motor will spark upon start up and during operation which could cause a flash fire or explosion if machine is used in an area where flammable vapors/liquids or combustible dusts are present.

- Do not operate with damaged power cord. Do not modify plug. Unplug power cord before cleaning or servicing machine.

If the power cord is damaged or broken, it must be replaced by the manufacturer or its service agent or a similarly qualified service person in order to avoid a hazard.

- Do not use outdoors. Do not expose to rain or moisture. Store indoors.
- Floor sanding can result in an explosive mixture of fine dust and air. Use floor machine in a well-ventilated area free from any flame or match.

FOR SAFETY:

1. Do not operate machine:

- Unless trained and authorized.
- Unless operator manual is read and understood.
- Unless mentally and physically capable of following machine instructions.
- Unless cord is properly grounded.
- Unless power voltage corresponds with voltage shown on machine’s rating plate.
- If not in proper operating condition.
- In outdoor areas. This machine is for indoor use only.
- In standing water.

- With a second extension cord unless cord rating is suitable for machine.
- On stairs.
- With pads or accessories not supplied or approved by Tennant.

2. Before operating machine:

- Make sure all safety devices are in place and operate properly.
- Inspect cord regularly for signs of damage or aging.
- Follow safety guidelines concerning wet floors.
- Follow mixing, handling and disposal instructions on chemical containers.
- Wear non-slip shoes.

3. When operating machine:

- Use only as described in this manual.
- Do not pull machine by plug or cord.
- Do not run machine over cord.
- Do not allow cord to come in contact with pad.
- Do not pull cord around sharp edges or corners.
- Do not close doors on cord.
- Do not unplug by pulling on cord.
- Do not stretch cord.
- Do not handle plug with wet hands.
- Keep cord away from heated surfaces.
- Do not release handles until pad comes to a complete stop.
- Go slow on inclines and slippery surfaces.
- Report machine damage or faulty operation immediately.
- Keep children and unauthorized persons away from machine.
- Do not allow to be used as a toy.
- Keep work area well lighted.
- Wear a dust mask, protective glasses and gloves in dusty environments.
- Keep work area well ventilated.

4. Before leaving machine:

- Turn off machine.
- Unplug cord from wall outlet.

5. When servicing machine:

- Unplug cord from wall outlet.
- Avoid moving parts. Do not wear loose clothing or jewelry. Secure long hair when working around machinery.
- Do not power spray or hose off machine. Electrical malfunction may occur.

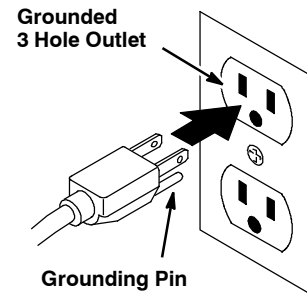
- Use manufacturer supplied or approved replacement parts.
- All repairs must be performed by a qualified service person.
- Do not modify the machine from its original design.
- All work must be done with sufficient lighting and visibility.
- Wear personal protective equipment as needed.

6. When transporting machine:

- Unplug cord from wall outlet.
- Get assistance when lifting machine. Wear protective gloves.
- Use tie-down straps to secure machine to truck or trailer.
- Do not wheel up or down stairs.

⚠ WARNING: Improper connection of the equipment-grounding conductor can result in a risk of electric shock. Check with a qualified electrician or service person if you are in doubt as to whether the outlet is properly grounded. Do not modify the plug provided with the machine. If it will not fit the outlet, have a proper outlet installed by a qualified electrician.

This machine is for use on a nominal 120-volt circuit and has a grounding attachment plug that looks like the plug illustrated below. Make sure that the machine is connected to an outlet having the same configuration as the plug. No adapter should be used with this machine.

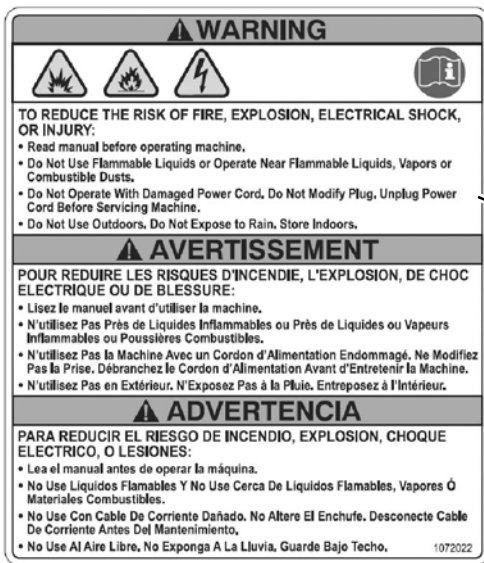


GROUNDING INSTRUCTIONS

This machine must be grounded. If it should electrically malfunction, grounding provides a path of least resistance for electrical current to reduce the risk of electrical shock. This machine is equipped with a cord having an equipment-grounding conductor and grounding plug. The plug must be plugged into an appropriate outlet that is properly installed in accordance with all local codes and ordinances.

SAFETY LABELS

The safety labels appear on the machine in the location indicated. Replace labels if are missing or become damaged or illegible.



WARNING LABEL - (p/n 1072022)
Located on backside of control handle.

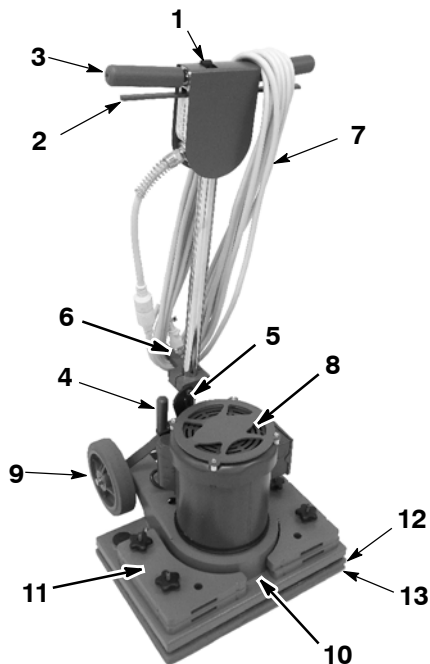


WARNING LABEL - (p/n 1206661)
Located on machine base.



	⚠ WARNING	⚠ AVERTISSEMENT	⚠ ADVERTENCIA
	RISK OF EXPLOSION Floor sanding can result in an explosive mixture of fine dust and air. Use floor machine in a well ventilated area free from any flame or match.	RISQUE D'EXPLOSION Le ponçage des planchers peut entraîner un mélange explosif de poussière fine et d'air. Utilisez la machine pour plancher dans un endroit bien ventilé et exempt de flamme ou d'allumette.	RIESGO DE EXPLOSIÓN El lijado de pisos puede producir una mezcla explosiva de aire y un polvo fino. Utilice la maquinaria para pisos en una área bien ventilada donde no haya ninguna flama ni fósforos encendidos.
	1206661		

MACHINE COMPONENTS

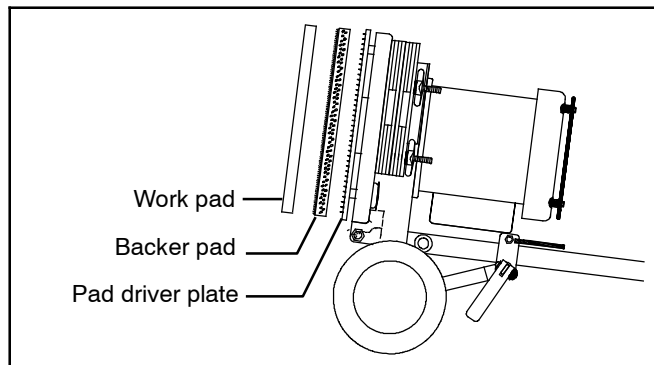


1. Trigger Lock Switch
2. Start Triggers
3. Control Handle Grips
4. Handle Adjustment Lever
5. Transport Handle Lock Lever
6. Power Cord Storage Hook
7. Detachable 50 ft Power Cord
8. 1.5 HP Motor
9. Transport Wheels
10. Scrub Head
11. Scrub Head Weights
12. Backer Pad
13. Work Pad

PAD INFORMATION

BACKER PAD (w/ retaining strips) - (p/n 9010674).

For best cleaning performance and to avoid damaging the pad driver plate or floor surface, **always use backer pad** with work pads as illustrated below.



WORK PADS:

For best results, use the correct work pad type per cleaning application. Recommended work pads below.

Polishing Pad (White) - Use to maintain highly polished or burnished floors (p/n 1205512, 10 pack).

Buffing Pad (Red) - Use for light duty scrubbing without removing floor finish (p/n 1205513, 10 pack).

Scrubbing Pad (Blue) - Use for medium to heavy-duty scrubbing (p/n 1205514, 10 pack).

Surface Preparation Pad (Maroon) - Use for very aggressive chemical free removal of floor finish to prepare the floor for re-coating (p/n 1205515, 10 pack).

MACHINE SETUP AND OPERATION

INSTALLING BACKER PAD AND WORK PAD

NOTE: Only use manufacturer supplied or approved pads designed specifically for this machine.

FOR SAFETY: Before installing pad, unplug cord from wall outlet.

1. Put the transport handle lock lever in the locked position and carefully lower the handle to the floor (Figure 1).

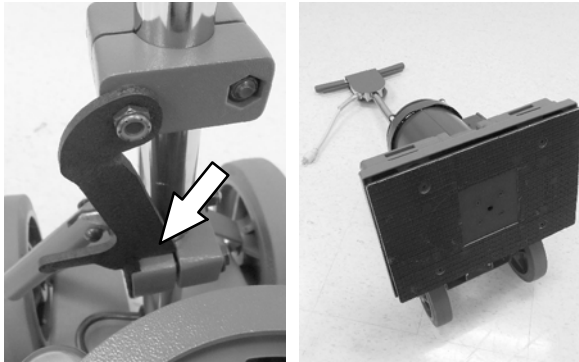


FIG. 1

2. Install the backer pad onto the scrub head with retaining strips facing outwards. Then install work pad onto backer pad (Figure 2).

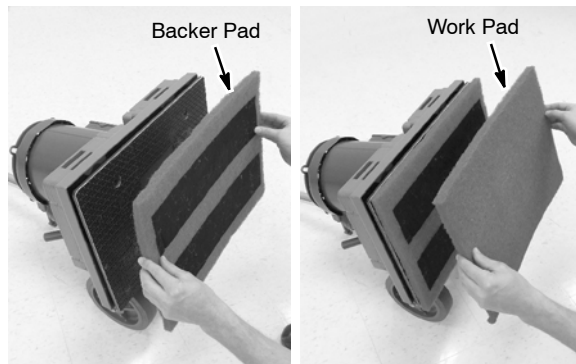


FIG. 2

3. Return the machine to the upright position.

INSTALLING SCRUB HEAD WEIGHTS

Each new machine comes equipped with two sets of weights for increased pad pressure. One set weighs 24 lbs/11 Kg. The machine is designed to accommodate up to three sets of weights. Use weights as needed. Secure weights to scrub head using washers and retainer knobs (Figure 3).

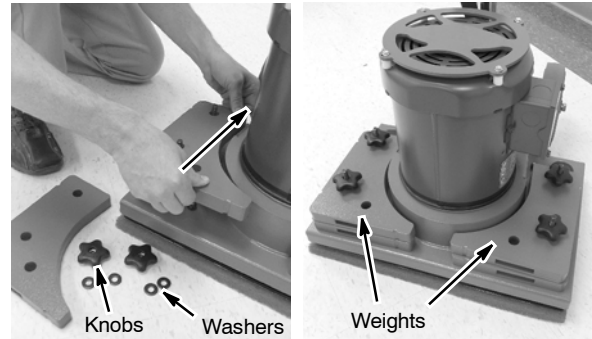


FIG. 3

ADJUSTING HANDLE HEIGHT

1. With the transport handle lock lever in the unlocked position loosen the handle adjustment lever by lifting it upward (Figure 4).

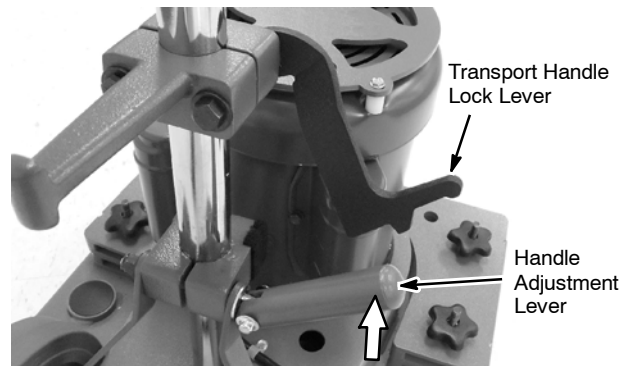


FIG. 4

2. Adjust the handle to a comfortable operating position and step down firmly on the handle adjustment lever to lock handle into position (Figure 5).

NOTE: If the handle adjustment lever does not securely lock the handle into position, tighten the adjustment nut as needed.

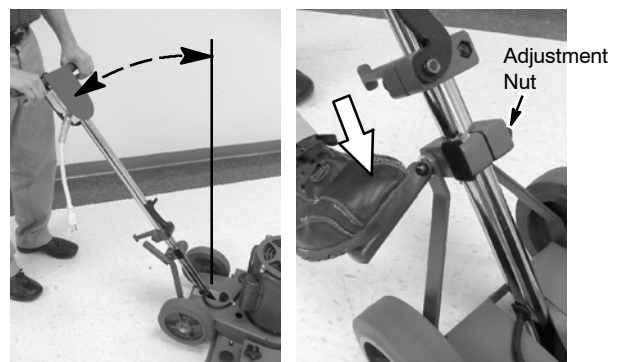


FIG. 5

CONNECTING POWER CORD

1. Connect the supplied power cord into the machine and rotate the plug clockwise to lock plug connection (Figure 6).
2. Plug the power cord into a properly grounded wall outlet (Figure 7).

FOR SAFETY: Do not operate machine unless power cord is properly grounded.



FIG. 6

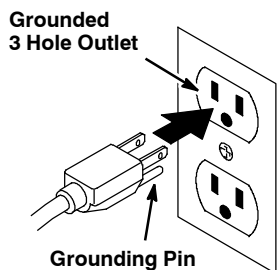


FIG. 7

⚠ WARNING: To Reduce the Risk of Fire, Explosion, Electric Shock or Injury Do Not Operate with Damaged Power Cord.

FOR SAFETY: Do not operate machine with a second extension cord unless cord rating is suitable for machine.

3. When machine is not in use, neatly wrap the power cord around the handle and cord hook (Figure 8).



FIG. 8

OPERATING MACHINE

FOR SAFETY: Do not operate machine unless operator manual is read and understood.

1. Place the machine on a level surface and hold the control handles so the scrub head is parallel to the floor.
2. To start machine, grasp the control handles, push the trigger lock switch forward and pull the left or right start trigger (Figure 9). Release the trigger lock switch once machine starts.

ATTENTION: Use caution at start up, the machine may jolt.

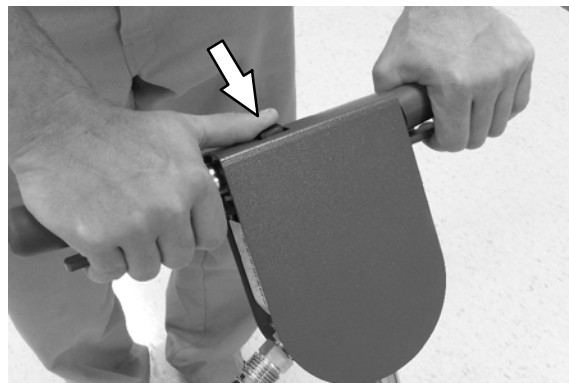


FIG. 9

3. To begin scrubbing, guide the machine slowly with a forward or backwards motion (Figure 10). Do not operate the machine on one spot for an extended period, floor damage may result.



FIG. 10

ATTENTION: Use caution when working near tile cove and floor mounted fixtures such as porcelain toilets, pedestal sinks and other breakable items. Keep the metal scrub head edge away to avoid possible damage (Figure 11).

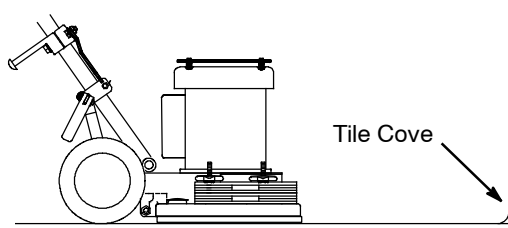



FIG. 11

4. To stop machine, simply release the triggers and wait until the machine comes to a complete stop before letting go of handles. The trigger lock switch will automatically re-engage.

NOTE: When pad becomes soiled, flip the work pad over or replace as needed.

5. To maneuver machine over thresholds and floor grates, tilt machine back on transport wheels.
6. After operating the machine perform the following machine maintenance procedures.

MACHINE MAINTENANCE

 **WARNING: To Reduce the Risk of Fire, Explosion, Electric Shock or Injury Unplug Power Cord Before Cleaning or Servicing Machine.**

1. Flip or replace work pad after each use.
2. Clean machine with a damp cloth after each use.
3. Inspect power cord for damage after each use. If worn or damaged, replace cord immediately.
4. Wipe the power cord with a damp cloth and neatly wrap cord around the cord hook and handle after each use.
5. Periodically check for machine damage and that all bolts and nuts are tight.

FOR SAFETY: When servicing machine, all repairs must be performed by a qualified service person.

6. Replace all four isolators yearly or after every 300 hours of use. Refer to page 28 in parts list section, item 29 - Isolator Kit 9010670.

TRANSPORTING MACHINE

1. Neatly wrap the power cord around the cord hook and handle to prevent cord damage.
2. Load the machine using a recommended loading ramp or carefully lift the machine with adequate assistance. Remove weights before lifting.

ATTENTION: The scrub head pad driver plate is sharp, wear protective gloves when lifting machine.

FOR SAFETY: When transporting machine, get assistance when lifting machine. Wear protective gloves when lifting machine. Do not wheel up or down stairs.

3. Secure the machine with tie-down straps when transporting by vehicle.

STORING MACHINE

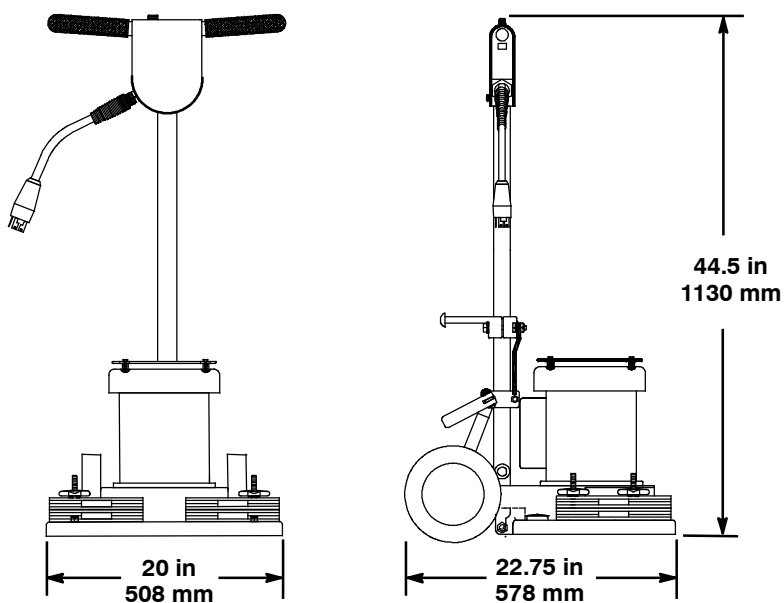
1. Neatly wrap the power cord around cord hook and handle.
2. Remove backer pad to avoid pad damage due to machine weight. Store machine with a work pad installed to prevent damaging pad driver plate and floor surface.
3. Store the machine in a dry environment at a temperature between 40°F- 95°F/ 5°C- 35°C.

NOTE: Do not use machine as a step, motor damage may result.

MACHINE SPECIFICATIONS

MODEL	F14
VOLTAGE / FREQUENCY	120 V / 60 Hz
RATED POWER	9.0 AMP (Nominal) / 14.2 AMP (Full Load)
MOTOR	1.5 HP / 1.12 kW, 1740 RPM
MACHINE HEIGHT	44.5 in / 1130 mm
MACHINE WIDTH	20 in / 508 mm
MACHINE LENGTH	22.75 in / 578 mm
MACHINE WEIGHT	189 lb / 85.7 Kg w/ two sets of weights and cord
SCRUB HEAD WEIGHT KIT (Set of 2)	24 lb / 10.9 Kg
PAD SIZE	20 in x 14 in / 508 mm x 356 mm
PAD PRESSURE (no weights)	0.48 lb/in ² / 0.034 Kg/cm ²
PAD PRESSURE (w/ 1 set of weights)	0.56 lb/in ² / 0.039 Kg/cm ²
PAD PRESSURE (w/ 2 sets of weights)	0.65 lb/in ² / 0.046 Kg/cm ²
PAD PRESSURE (w/ 3 sets of weights)	0.74 lb/in ² / 0.052 Kg/cm ²
POWER CORD LENGTH	50 ft / 15.2 m (12-3 AWG)
SOUND PRESSURE LEVEL	< 70 dB(A)

Specifications subject to change without notice.



INTRODUCCIÓN

Este manual se entrega con cada modelo nuevo. Brinda las instrucciones de operación y mantenimiento necesarias e información sobre repuestos.



Lea todo el manual y entienda la máquina antes de ponerla en funcionamiento o realizar tareas de mantenimiento.


USO PREVISTO

La máquina orbital para pisos está diseñada para su uso comercial, por ejemplo, en hoteles, escuelas, fábricas, negocios, oficinas y empresas de alquiler. Está diseñada para restregar pisos en ambientes internos y no es apta para ningún otro uso. Use solamente las almohadillas recomendadas y los detergentes disponibles en el mercado para uso en máquinas. No utilice líquidos inflamables con esta máquina. Esta máquina no está diseñada para la limpieza de alfombras o pisos de madera lijados.

INFORMACIÓN GENERAL


Esta máquina le brindará un servicio excelente. Sin embargo, se obtienen los mejores resultados al menor costo si:

- La máquina se opera con el cuidado razonable.
- Se realizan tareas de mantenimiento periódico en la máquina, según las instrucciones de mantenimiento provistas.
- Se realizan tareas de mantenimiento en la máquina con piezas provistas por el fabricante o equivalentes.



PROTEJA EL MEDIO AMBIENTE

Deseche los materiales de embalaje y los componentes usados de la máquina de manera segura para el medio ambiente, según las normas de desecho de residuos locales.



Siempre acuérdesese de reciclar.

Tennant Company

PO Box 1452
 Minneapolis, MN 55440
 Teléfono: (800) 553-8033 o (763) 513-2850
www.tennantco.com

Instrucciones originales. Copyright ©2012-2013 Tennant Company. Todos los derechos reservados. Impreso en EE. UU. Las especificaciones y las piezas están sujetas a modificaciones sin previo aviso.

DATOS DE LA MÁQUINA

Complételos al momento de la instalación para que sirvan de referencia en el futuro.

Nº de modelo: _____

Nº de serie: _____

Fecha de instalación: _____

ÍNDICE

INSTRUCCIONES IMPORTANTES DE SEGURIDAD	11
ETIQUETA DE SEGURIDAD	12
COMPONENTES DE LA MÁQUINA	13
INFORMACIÓN DE LA ALMOHADILLA	13
INSTALACIÓN Y OPERACIÓN DE LA MÁQUINA	14
MANTENIMIENTO DE LA MÁQUINA	16
TRANSPORTE DE LA MÁQUINA	16
ALMACENAMIENTO DE LA MÁQUINA	16
ESPECIFICACIONES DE LA MÁQUINA	17
LISTA DE PARTES	26
APROVISIONAMIENTO DE PARTES RECOMENDADO	33
DIAGRAMA ELÉCTRICO	33

INSTRUCCIONES IMPORTANTES DE SEGURIDAD - GUARDE ESTAS INSTRUCCIONES

El siguiente símbolo de alerta de advertencia y el encabezado "PARA SU SEGURIDAD" se utilizan en el presente manual tal como lo indica su descripción:

⚠ ADVERTENCIA: se le advierte contra peligros o prácticas inseguras que podrían causar lesiones personales graves o la muerte.

PARA SU SEGURIDAD: identifica las acciones que debe realizar para utilizar el equipo de manera segura.

Las siguientes instrucciones de seguridad se refieren a posibles condiciones peligrosas para el operador y el equipo.

⚠ ADVERTENCIA: para reducir el riesgo de incendios, explosión, choque eléctrico o lesiones:

- No utilice líquidos inflamables ni use la máquina cerca de líquidos inflamables, vapores o residuos de combustibles.
Esta máquina no está equipada con un motor a prueba de explosiones. El motor eléctrico desprenderá una chispa al arrancar y durante su funcionamiento que puede causar una combustión instantánea o una explosión si la máquina se usa en un área en la que hay vapores o líquidos inflamables o residuos de combustibles.
- No ponga la máquina en funcionamiento si el cable de alimentación está dañado. No cambie el conector. Desconecte el cable de alimentación antes de limpiar la máquina o hacer tareas de mantenimiento.
Si el cable de alimentación está dañado o roto, debe ser reemplazado por el fabricante, su agente de mantenimiento o por una persona de mantenimiento calificada para evitar peligros.
- No use la máquina al aire libre. No la exponga a la lluvia o a la humedad. Guárdela en un lugar cerrado.
- El lijado de pisos puede producir una mezcla explosiva de aire y un polvillo fino. Utilice la maquinaria para pisos en una área bien ventilada donde no haya ninguna llama ni fósforos encendidos.

PARA SU SEGURIDAD:

1. No haga funcionar la máquina:
 - a menos que esté capacitado o autorizado;
 - a menos que haya leído y comprendido el manual del operador;
 - a menos que tenga la capacidad mental y física para seguir las instrucciones de la máquina;
 - a menos que el cable de alimentación tenga una correcta conexión a tierra;
 - a menos que el voltaje de alimentación corresponda al voltaje que aparece en la placa de calificación de la máquina;

- si no se encuentra en las condiciones apropiadas para su uso;
- al aire libre. Esta máquina está diseñada únicamente para su uso en interiores;
- en agua estancada;
- con una extensión para el cable de alimentación a menos que sea adecuada para la máquina;
- en escaleras;
- con almohadillas o accesorios no proporcionados o aprobados por Tennant.

2. Antes de poner la máquina en funcionamiento:

- Asegúrese de que todos los dispositivos de seguridad estén en su lugar y funcionen correctamente.
- Revise con frecuencia que el cable no presente signos de daños o desgaste.
- Siga las pautas de seguridad sobre pisos húmedos.
- Siga las instrucciones sobre mezcla, manejo y desecho en contenedores químicos.
- Utilice calzado antideslizante.

3. Al poner la máquina en funcionamiento:

- Utilice la máquina solo como se describe en este manual.
- No tire la máquina del conector o del cable.
- No haga funcionar la máquina sobre el cable.
- No permita que el cable esté en contacto con la almohadilla.
- No tire del cable cerca de bordes filosos o esquinas.
- No deje el cable en el medio al cerrar puertas.
- No desconecte la máquina con un tirón del cable.
- No estire el cable.
- No maneje el conector con las manos húmedas.
- Mantenga el cable lejos de superficies calientes.
- No suelte las agarraderas hasta que la almohadilla haya dejado de moverse completamente.
- Maneje despacio en pendientes y en superficies resbaladizas.
Informe de inmediato si la máquina presenta algún daño o funcionamiento fallido.
- Mantenga a los niños y a las personas no autorizadas lejos de la máquina.
- No permita que la máquina se use como un juguete.
- Mantenga el área de trabajo bien iluminada.
- Use una mascarilla antipolvo, anteojos de seguridad y guantes en ambientes con polvo.
- Mantenga el área de trabajo bien ventilada.

4. Antes de dejar la máquina:

- Apague la máquina.
- Desconecte el cable del tomacorriente de pared.

5. Al realizarle un servicio de mantenimiento a la máquina:

- Desconecte el cable del tomacorriente de pared.
- Evite el contacto con las piezas móviles. No utilice ropa holgada ni joyas. Si tiene cabello largo, sujételo cuando trabaje cerca de máquinas.
- No use rociadores o mangueras para una limpieza rápida de la máquina. Puede afectar el funcionamiento eléctrico.
- Use los repuestos que provee o aprueba el fabricante.
- Todas las reparaciones deben realizarse mediante una persona de servicio calificada.
- No modifique el diseño original de la máquina.
- Todo el trabajo debe realizarse con la iluminación y visibilidad suficientes.
- Utilice equipos de protección personal según sea necesario.

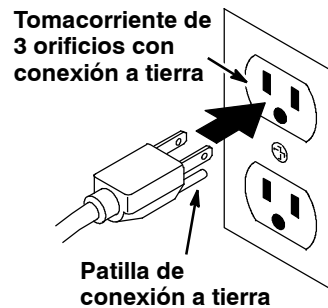
6. Al transportar la máquina:

- Desconecte el cable del tomacorriente de pared.
- Pida ayuda para levantar la máquina. Use guantes protectores.
- Use correas de sujeción para asegurar la máquina al camión o remolque.
- No suba o baje escaleras con las ruedas de la máquina en funcionamiento.

equipos y un enchufe de conexión a tierra. El enchufe debe colocarse en un tomacorriente adecuado e instalado correctamente y en cumplimiento de todos los códigos y ordenanzas locales.

⚠ ADVERTENCIA: si no se conecta correctamente el conductor de puesta a tierra de equipos, se puede presentar el riesgo de choque eléctrico. Consulte a un electricista o persona de servicio calificados si tiene dudas sobre la conexión a tierra correcta del tomacorriente. No modifique el enchufe que viene con la máquina. Si este no entra en el tomacorriente, solicite que un electricista calificado instale un tomacorriente adecuado.

Esta máquina está diseñada para su uso en un circuito de 120 voltios nominales y cuenta con un enchufe de conexión a tierra similar al de la siguiente ilustración. Asegúrese de conectar la máquina a un tomacorriente con la misma configuración del enchufe. No se debe utilizar ningún adaptador con esta máquina.



INSTRUCCIONES DE CONEXIÓN A TIERRA

La máquina debe estar conectada a tierra. Si presenta alguna falla eléctrica, la conexión a tierra brinda un trazado de menor resistencia para la corriente eléctrica, y de esta forma se reduce el riesgo de choque eléctrico. La máquina está equipada con un cable que tiene un conductor de puesta a tierra de

ETIQUETA DE SEGURIDAD

Los adhesivos de seguridad se encuentran en las posiciones indicadas a continuación. Sustituya los adhesivos si se han desprendido, están deteriorados o son ilegibles.



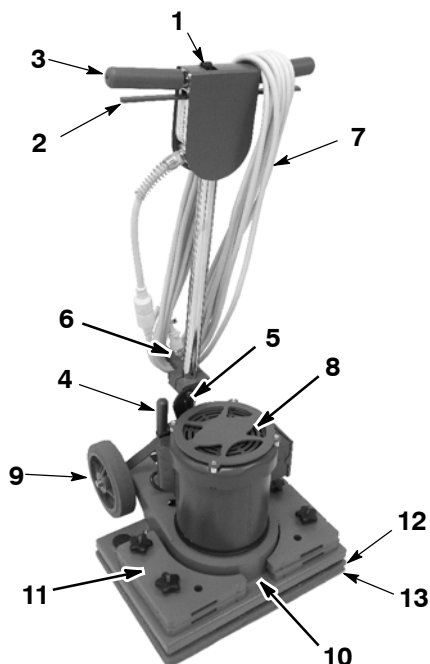
ETIQUETA DE ADVERTENCIA - (p/n 1072022) Ubicada en la parte posterior del mango de control.



ETIQUETA DE ADVERTENCIA - (p/n 1206661) Situado en la base de la máquina



COMPONENTES DE LA MÁQUINA



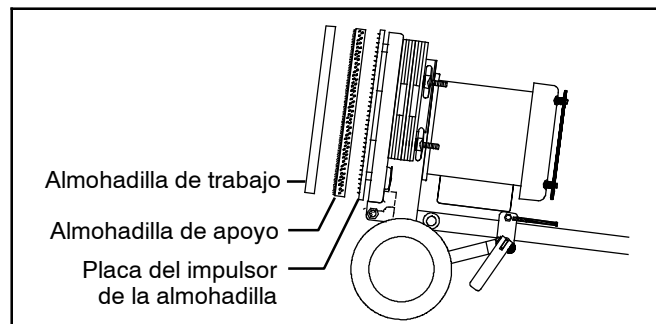
1. Interruptor de bloqueo del gatillo
2. Gatillos de arranque
3. Agarraderas del mango de control
4. Palanca de ajuste del mango
5. Palanca de bloqueo del mango para transporte
6. Gancho de almacenamiento del cable de alimentación
7. Cable de alimentación de 50 pies desmontable
8. Motor de 1,5 HP
9. Ruedas de transporte
10. Cabezal de restregado
11. Contrapesos del cabezal de restregado
12. Almohadilla de apoyo
13. Almohadilla de trabajo

INFORMACIÓN DE LA ALMOHADILLA

ALMOHADILLA DE APOYO (con tiras de sujeción)

- (Nº de pieza: 9010674).

Para obtener el mejor rendimiento de limpieza y evitar el daño en la placa del impulsor de la almohadilla o la superficie del piso, siempre use la almohadilla de apoyo con almohadillas de trabajo, como se ilustra a continuación.



ALMOHADILLAS DE TRABAJO:

Para obtener mejores resultados, utilice el tipo de almohadilla correcta en base a cada aplicación de limpieza. A continuación se presentan las almohadillas de trabajo recomendadas.

Almohadilla de pulido (blanca): utilícela para el mantenimiento de pisos altamente pulidos o alisados (Nº de pieza: 1205512, paquete de 10 unidades).

Almohadilla de brillo (roja): utilícela para el restregado liviano, sin quitar el acabado del piso (Nº de pieza: 1205513, paquete de 10 unidades).

Almohadilla de restregado (azul): utilícela para las tareas de restregado medio a intenso (Nº de pieza: 1205514, paquete de 10 unidades).

Almohadilla de preparación de la superficie (marrón): utilícela para quitar sin químicos y en forma muy agresiva el acabado del piso, de modo de prepararlo para aplicar un nuevo revestimiento (Nº de pieza: 1205515, paquete de 10 unidades).

INSTALACIÓN Y OPERACIÓN DE LA MÁQUINA

INSTALACIÓN DE LA ALMOHADILLA DE APOYO Y LA ALMOHADILLA DE TRABAJO

NOTE: utilice únicamente almohadillas suministradas o aprobadas por el fabricante y diseñadas específicamente para esta máquina.

PARA SU SEGURIDAD: antes de instalar la almohadilla, desenchufe el cable del tomacorriente de pared.

1. Coloque la palanca de bloqueo del mango para transporte en la posición de bloqueo y, con cuidado, baje el mango hasta que llegue al piso (Figura 1).

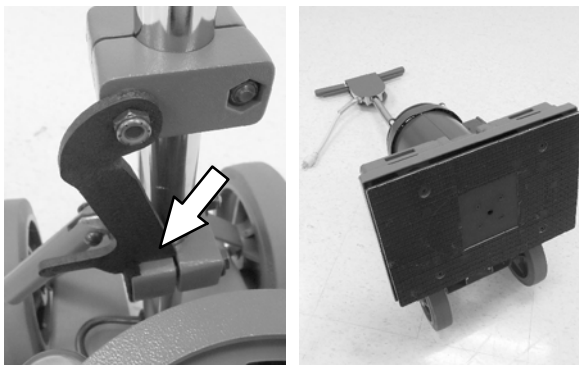


FIG. 1

2. Instale la almohadilla de apoyo en el cabezal de restregado con las tiras de sujeción hacia afuera. A continuación, instale la almohadilla de trabajo en la almohadilla de apoyo (Figura 2).

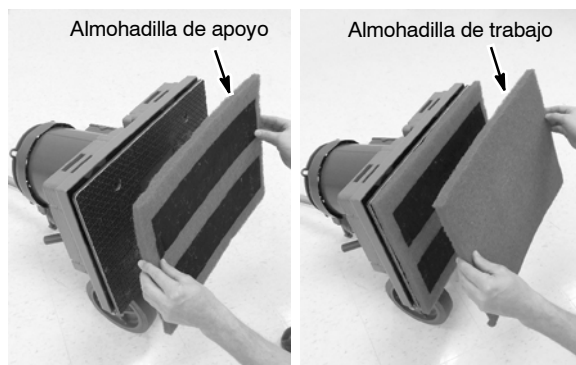


FIG. 2

3. Vuelva a colocar la máquina en posición vertical.

INSTALACIÓN DE LOS CONTRAPESOS DEL CABEZAL DE RESTREGADO

Cada máquina nueva está equipada con dos conjuntos de contrapesos para aumentar la presión de la almohadilla. Cada conjunto pesa 11 Kg (24 lb). El diseño de la máquina le permite alojar hasta tres conjuntos de contrapesos. Use los contrapesos que necesite. Para sujetar los contrapesos al cabezal de restregado, utilice las arandelas y las perillas de retención (Figura 3).

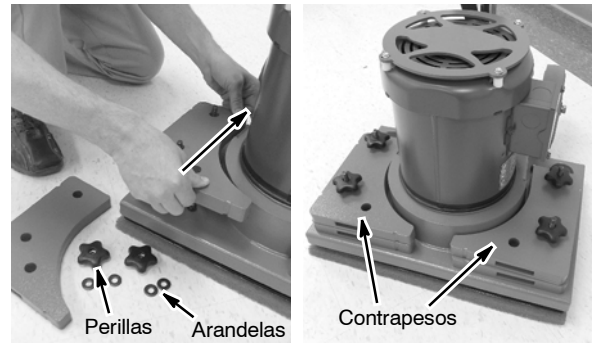


FIG. 3

AJUSTE DE LA ALTURA DEL MANGO

1. Con la palanca de bloqueo del mango para transporte en la posición de desbloqueo, levanta la palanca de ajuste del mango para aflojarla (Figura 4).

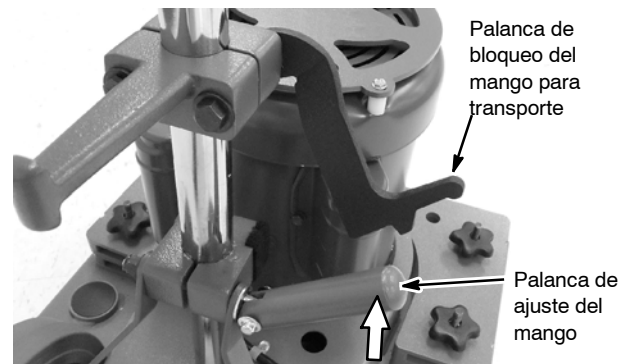


FIG. 4

2. Ajuste el mango a una posición de operación cómoda y pise con firmeza la palanca de ajuste del mango para bloquearlo en su posición (Figura 5).

NOTE: si la palanca de ajuste del mango no se bloquea en forma segura en su posición, apriete la tuerca de ajuste todo lo que se necesite.

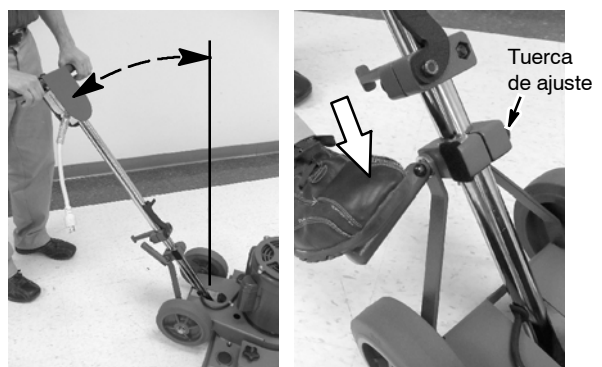


FIG. 5

CONEXIÓN DEL CABLE DE ALIMENTACIÓN

1. Conecte el cable de alimentación suministrado a la máquina y gire el enchufe en el sentido de las agujas del reloj para bloquear la conexión del enchufe (Figura 6).
2. Enchufe el cable de alimentación a un tomacorriente de pared con la conexión a tierra correcta (Figura 7).

PARA SU SEGURIDAD: no haga funcionar la máquina a menos que el cable de alimentación esté conectado a tierra correctamente.

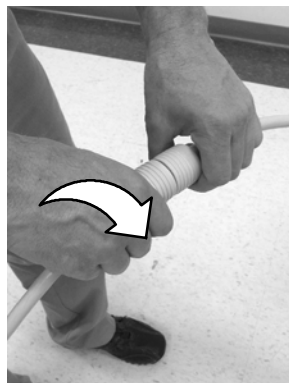


FIG. 6

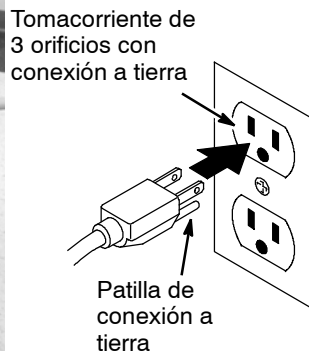


FIG. 7

⚠ ADVERTENCIA: para reducir el riesgo de incendios, explosión, choque eléctrico o lesiones, no haga funcionar la máquina si el cable de alimentación está dañado.

PARA SU SEGURIDAD: no haga funcionar la máquina con una extensión para el cable a menos que la calificación sea adecuada para la máquina.

3. Cuando la máquina no esté en uso, enrolle con prolijidad el cable de alimentación alrededor del mango y del gancho del cable (Figura 8).



FIG. 8

FUNCIONAMIENTO DE LA MÁQUINA

PARA SU SEGURIDAD: no utilice la máquina sin haber leído y comprendido el manual del operador.

1. Coloque la máquina en una superficie nivelada y sostenga los mangos de control de modo que el cabezal de restregado se encuentre en forma paralela al piso.
2. Para encender la máquina, tome los mangos de control, empuje el interruptor de bloqueo del gatillo hacia adelante y tire del gatillo de arranque derecho o izquierdo (Figura 9). Una vez que la máquina arranca, suelte el interruptor de bloqueo del gatillo.

ATENCIÓN: tenga cuidado en el arranque, ya que la máquina puede sacudirse.

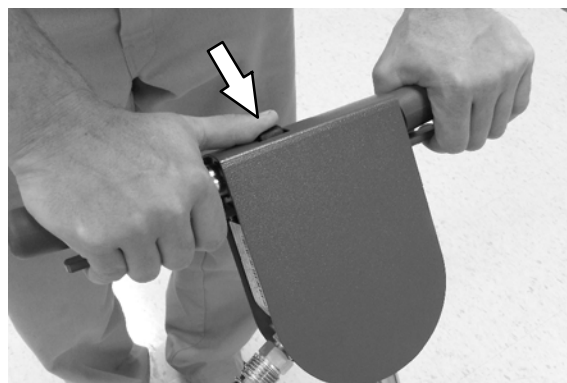


FIG. 9

3. Para comenzar a restregar, guíe la máquina lentamente en movimiento hacia adelante o hacia atrás (Figura 10). No haga funcionar la máquina en el mismo lugar durante un período prolongado, ya que puede dañar el piso.



FIG. 10

ATENCIÓN: tenga cuidado cuando trabaje cerca de zócalos de baldosa o instalaciones montadas en el piso, como inodoros de porcelana, lavamanos con pedestal y otros elementos que puedan romperse. Mantenga el borde de metal del cabezal de restregado alejado para evitar los posibles daños (Figura 11).

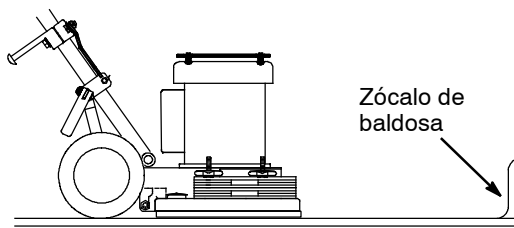


FIG. 11

4. Para detener la máquina, simplemente suelte los gatillos y espere que la máquina se detenga completamente antes de soltar los mangos. El interruptor de bloqueo del gatillo se volverá a activar automáticamente.

NOTA: cuando la almohadilla se ensucie, dé vuelta la almohadilla de trabajo o reemplácela, según sea necesario.

5. Para maniobrar la máquina en umbrales y rejillas de pisos, inclínela hacia atrás, sobre las ruedas de transporte.
6. Después de hacer funcionar la máquina, realice los siguientes procedimientos de mantenimiento.

MANTENIMIENTO DE LA MÁQUINA

⚠ ADVERTENCIA: para reducir el riesgo de incendios, explosión, choque eléctrico o lesiones, **desenchufe el cable de alimentación antes de limpiar o realizar tareas de mantenimiento en la máquina.**

1. Dé vuelta o reemplace la almohadilla de trabajo después de cada uso.
2. Limpie la máquina con un paño húmedo después de cada uso.
3. Inspeccione el cable de alimentación para detectar daños después de cada uso. Si está desgastado o dañado, reemplácelo inmediatamente.
4. Limpie el cable de alimentación con un paño húmedo y enróllelo con prolijidad alrededor del gancho del cable y el mango después de cada uso.
5. Verifique periódicamente que la máquina no esté dañada y que todos los pernos y tuercas estén ajustados.

PARA SU SEGURIDAD: cuando se realicen tareas de mantenimiento en la máquina, todas las reparaciones deben realizarse por medio de una persona de servicio calificada.

6. Vuelva a colocar los cuatro aisladores de cada año o cada 300 horas de uso. Consulte la página 28 en la sección lista de piezas, artículo 29 - Kit Aislador 9010670.

TRANSPORTE DE LA MÁQUINA

1. Enrolle cuidadosamente el cable de alimentación alrededor del gancho del cable y el mango para evitar que se dañe.
2. Cargue la máquina con una rampa de carga recomendada o bien levante la máquina cuidadosamente y con la ayuda necesaria. Quite los contrapesos antes de levantarla.

ATENCIÓN: la placa del impulsor del cabezal de restregado es filosa, por lo que debe usar guantes de protección cuando levante la máquina.

PARA SU SEGURIDAD: cuando deba transportar la máquina, solicite ayuda para levantarla. Utilice guantes de protección cuando levante la máquina. No suba o baje escaleras con las ruedas de la máquina en funcionamiento.

3. Asegure la máquina con correas de sujeción cuando la transporte en un vehículo.

ALMACENAMIENTO DE LA MÁQUINA

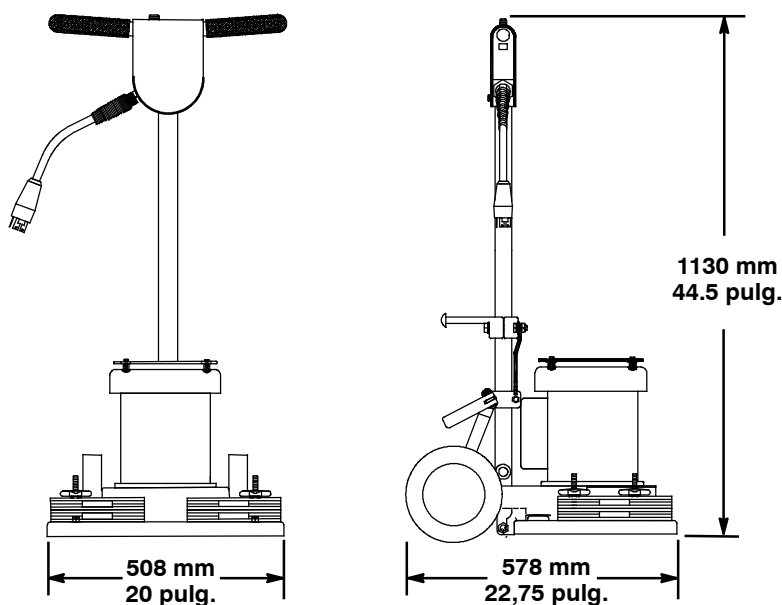
1. Enrolle cuidadosamente el cable de alimentación alrededor del gancho del cable y el mango.
2. Quite la almohadilla de apoyo para evitar que se dañe con el peso de la máquina. Guarde la máquina con una almohadilla de trabajo instalada para evitar el daño en la placa del impulsor de almohadilla y en la superficie del piso.
3. Guarde la máquina en un ambiente seco, a una temperatura entre 5°C - 35°C/40°F - 95°F .

NOTA: no use la máquina como un escalón ya que puede dañar el motor.

ESPECIFICACIONES DE LA MÁQUINA

MODELO	F14
VOLTAJE/FRECUENCIA	120 V/60 Hz
POTENCIA	9,0 AMP (nominal)/14,2 AMP (carga completa)
MOTOR	1,5 HP/1,12 kW, 1740 RPM
ALTURA DE LA MÁQUINA	1130 mm/44,5 pulg.
ANCHO DE LA MÁQUINA	508 mm/20 pulg.
LARGO DE LA MÁQUINA	578 mm/22,75 pulg.
PESO DE LA MÁQUINA	85,7 kg/189 lb con dos conjuntos de contrapesos y cable
KIT DE CONTRAPESO DEL CABEZAL DE RESTREGADO (conjunto de 2 unidades)	10,9 kg/24 lb
TAMAÑO DE LA ALMOHADILLA	508 mm x 356 mm/20 pulg. x 14 pulg.
PRESIÓN DE LA ALMOHADILLA (sin contrapesos)	0,034 kg/cm ² /0,48 lb/pulg. ²
PRESIÓN DE LA ALMOHADILLA (con un conjunto de contrapesos)	0,039 kg/cm ² /0,56 lb/pulg. ²
PRESIÓN DE LA ALMOHADILLA (con dos conjuntos de contrapesos)	0,046 kg/cm ² /0,65 lb/pulg. ²
PRESIÓN DE LA ALMOHADILLA (con tres conjuntos de contrapesos)	0,052 kg/cm ² /0,74 lb/pulg. ²
LONGITUD DEL CABLE DE ALIMENTACIÓN	15,2 m/50 pie (12-3 AWG)
NIVEL DE PRESIÓN DE SONIDO	< 70 dB(A)

Especificaciones sujetas a modificaciones sin aviso previo.



INTRODUCTION

Ce manuel est fourni avec chaque nouveau modèle. Il comprend les instructions d'utilisation et d'entretien nécessaires ainsi que les informations relatives aux pièces de rechange.



Lisez complètement ce manuel et comprenez le fonctionnement de la machine avant de l'utiliser ou d'en faire l'entretien.

UTILISATION PRÉVUE

La machine orbitale pour plancher est destinée à une utilisation commerciale, par exemple dans les hôtels, les établissements scolaires, les usines, les magasins, les bureaux et les entreprises de location. Elle est conçue pour récurer les planchers dans un environnement à l'intérieur et n'est en aucun cas destinée à tout autre usage. Utilisez uniquement des tampons recommandés et des nettoyeurs pour plancher disponibles commercialement qui sont destinés aux applications de la machine. N'utilisez pas de liquides inflammables avec cette machine. Cette machine n'est pas destinée au nettoyage de tapis ou au ponçage de planchers en bois.

INFORMATIONS GÉNÉRALES

Cette machine procurera un excellent service. Toutefois, vous obtiendrez les meilleurs résultats à moindre coût si :

- La machine est utilisée avec précaution.
- La machine est entretenue régulièrement en conformité avec les instructions d'entretien fournies.
- La machine est entretenue à l'aide de pièces fournies par le fabricant ou de pièces équivalentes.



PROTÉGEZ L'ENVIRONNEMENT

Veillez jeter l'emballage, les composants usagés de la machine de façon écologique en conformité avec les réglementations locales sur l'élimination des déchets.



Rappelez-vous de toujours recycler.

Tennant Company

PO Box 1452
Minneapolis, MN 55440
Téléphone : (800) 553-8033 ou (763) 513-2850
www.tennantco.com

Instructions d'origine. Copyright © 2012-2013 Tennant Company.
Tous droits réservés. Imprimé aux États-Unis.
Les spécifications et les pièces peuvent être modifiées sans préavis.

DONNÉES RELATIVES À LA MACHINE

Veillez remplir le formulaire au moment de l'installation en vue d'une consultation ultérieure.

N° de modèle - _____

N° de série - _____

Date d'installation - _____

TABLE DES MATIÈRES

INSTRUCTIONS IMPORTANTES RELATIVES À LA SÉCURITÉ	19
ÉTIQUETTE DE SÉCURITÉ	20
COMPOSANTS DE LA MACHINE	21
INFORMATIONS RELATIVES AU TAMPON ...	21
CONFIGURATION DE LA MACHINE ET UTILISATION	22
ENTRETIEN DE LA MACHINE	24
TRANSPORT DE LA MACHINE	24
REMISAGE DE LA MACHINE	24
SPÉCIFICATIONS DE LA MACHINE	25
Liste des pièces détachées	26
PIÈCES D'ENTREPOSAGE RECOMMANDÉES	33
SCHÉMA ÉLECTRIQUE	33

INSTRUCTIONS IMPORTANTES RELATIVES À LA SÉCURITÉ - CONSERVEZ CES INSTRUCTIONS

Le symbole d'avertissement et le titre « POUR LA SÉCURITÉ » suivants sont utilisés dans ce manuel comme indiqué dans leurs descriptions :

⚠ AVERTISSEMENT : Informe à propos de dangers ou de pratiques non sécuritaires qui pourraient provoquer de graves blessures corporelles ou la mort.

POUR VOTRE SÉCURITÉ : Identifie les actions qui doivent être effectuées pour assurer l'utilisation sécuritaire de l'équipement.

Les instructions relatives à la sécurité suivantes indiquent des situations potentiellement dangereuses pour l'opérateur ou l'équipement.

⚠ AVERTISSEMENT : Pour réduire le risque d'incendie, d'explosion, de choc électrique ou de blessure :

- N'utilisez pas ni ne travaillez à proximité de liquides inflammables, de vapeurs ou de poussières particules combustibles.
Cette machine n'est pas équipée d'un moteur antidéflagrant. Le moteur électrique produit des étincelles au démarrage et durant son fonctionnement qui pourraient provoquer un feu à inflammation instantanée ou une explosion si la machine est utilisée dans une zone où des vapeurs/liquides inflammables ou des poussières combustibles sont présentes.
- N'utilisez pas la machine avec un cordon d'alimentation endommagée. Ne modifiez pas la prise d'alimentation. Débranchez le cordon d'alimentation avant de nettoyer ou d'entretenir la machine.
Si le cordon d'alimentation est endommagé ou rompu, il doit être remplacé par le fabricant ou un agent de service, ou par une personne avec des qualifications similaires afin d'éviter tout risque.
- N'utilisez pas à l'extérieur. N'exposez pas à la pluie ou à l'humidité. Entrez à l'intérieur.
- Le ponçage des planchers peuvent entraîner un mélange explosif de poussière fine et d'air. Utiliser la machine pour plancher dans un endroit bien ventilé et exempt de flamme ou d'allumette.

POUR VOTRE SÉCURITÉ :

1. Ne faites pas fonctionner la machine :
 - Sauf si vous avez été formé et autorisé.
 - Sauf si vous avez lu et compris le manuel de l'opérateur.
 - Sauf si vous êtes mentalement et physiquement capable de suivre les instructions de la machine.
 - Sauf si le cordon est mis à la terre correctement.
 - Sauf si la tension correspond à celle indiquée sur la plaque signalétique de la machine.
 - Si la machine n'est pas en bon état de marche.
2. Avant de faire fonctionner la machine :
 - Dans des zones extérieures. Cette machine est destiné seulement à un environnement à l'intérieur.
 - Dans de l'eau stagnante.
 - Avec un deuxième cordon prolongateur, sauf si ses caractéristiques nominales sont adaptées aux exigences de la machine.
 - Dans les escaliers.
 - Avec des tampons ou des accessoires qui ne sont pas fournis ou approuvés par Tennant.
3. Lors du fonctionnement de la machine :
 - Assurez-vous que tous les dispositifs de sécurité sont en place et fonctionnent correctement.
 - Inspectez le cordon régulièrement pour détecter d'éventuels signes de dommages ou d'usure.
 - Respectez les consignes de sécurité relatives aux planchers mouillés.
 - Suivez les instructions relatives à la mise au rebut, à la manipulation et au mélange des contenants de produits chimiques.
 - Portez des chaussures antidérapantes.
4. Avant de quitter la machine :
 - Arrêtez la machine.
 - Débranchez le cordon de la prise de courant murale.
5. Lors de l'entretien de la machine :
 - Utilisez uniquement la machine comme indiqué dans ce manuel.
 - Ne tirez pas la machine à l'aide de la prise ou du cordon.
 - Ne passez pas sur le cordon avec la machine.
 - Veillez à ce que le cordon n'entre pas en contact avec le tampon.
 - Ne tirez pas sur le cordon dans les coins ou au niveau des rebords tranchants.
 - Ne coinciez pas le cordon dans une porte.
 - Ne débranchez pas en tirant sur le cordon.
 - N'étirez pas le cordon.
 - Ne manipulez pas la fiche avec des mains mouillées.
 - Gardez le cordon à l'écart des surfaces chauffées.
 - Ne relâchez pas les poignées jusqu'à ce que le tampon s'arrête complètement.
 - Allez doucement sur des surfaces inclinées ou glissantes.
 - Signalez immédiatement tout dommage à la machine ou tout mauvais fonctionnement.
 - Gardez les enfants et les personnes non autorisées à l'écart de la machine.
 - Ne laissez pas la machine être utilisée comme un jouet.
 - Travaillez dans une zone bien éclairée.
 - Portez un masque anti-poussière, des lunettes et des gants de protection dans des environnements poussiéreux.
 - Travaillez dans une zone bien ventilée.
 - Débranchez le cordon de la prise de courant murale.

- Évitez les pièces mobiles. Ne portez pas de vêtements amples ou de bijoux. Attachez vos cheveux lorsque vous travaillez autour de la machine.
- N'arrosez pas la machine et ne l'exposez pas à un pulvérisateur à puissant jet d'eau. Cela pourrait provoquer un mauvais fonctionnement électrique.
- Utilisez des pièces de rechange fournies ou approuvées par le fabricant.
- Toutes les réparations doivent être effectuées par une personne de service qualifiée.
- Ne modifiez pas la conception originale de la machine.
- Tout travail doit être effectué dans des locaux disposant d'un éclairage et d'une visibilité suffisantes.
- Portez un équipement de protection personnalisé selon le besoin.

6. Lors du transport de la machine :

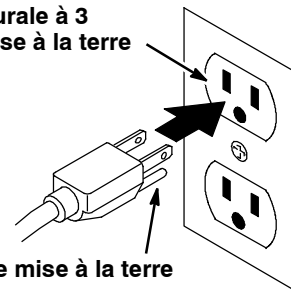
- Débranchez le cordon de la prise de courant murale.
- Obtenez de l'aide pour lever la machine. Portez des gants de protection.
- Utilisez des sangles pour immobiliser la machine sur le camion ou la remorque.
- N'utilisez pas les roues pour emprunter les escaliers.

électrique. Cette machine est équipée d'un cordon doté d'un conducteur et d'une fiche pour la mise à la terre. La fiche doit être branchée dans une prise appropriée qui est installée de manière appropriée en respectant les codes et ordonnances locaux.

⚠ AVERTISSEMENT : Toute connexion inappropriée du conducteur pour la mise à la terre peut entraîner un risque de choc électrique. Vérifiez avec un électricien ou une personne de service qualifié au cas où vous auriez des doutes au sujet de la mise à la terre appropriée de la prise. Ne modifiez pas la prise fournie avec la machine. Si elle ne s'adapte pas à la prise murale, assurez-vous qu'une prise murale appropriée est installée par un électricien qualifié.

Cette machine est destinée à être utilisée sur un circuit nominal de 120 V et comprend une prise d'accessoire de mise à la terre qui ressemble à celle illustrée ci-dessous. Assurez-vous que la machine est connectée à une prise murale dotée de la même configuration que la prise. Aucun adaptateur ne doit être utilisé avec cette machine.

Prise murale à 3 trous mise à la terre



Broche mise à la terre

INSTRUCTIONS RELATIVES À LA PROCÉDURE DE MISE À LA TERRE

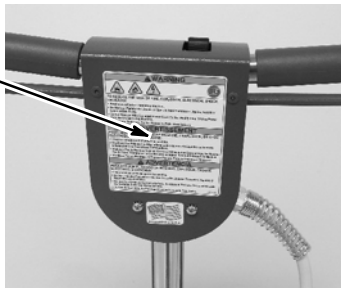
Cette machine doit être mise à la terre. Si un dysfonctionnement électrique devait se produire, la mise à la terre offre un passage de résistance moindre au courant électrique afin de réduire le risque de choc

ÉTIQUETTES DE SÉCURITÉ

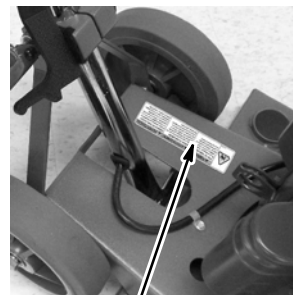
Vous trouverez les étiquettes de sécurité aux endroits suivants sur la machine. Remplacez-les lorsqu'elles sont endommagées ou qu'elles deviennent illisibles.

⚠ WARNING
<p>TO REDUCE THE RISK OF FIRE, EXPLOSION, ELECTRICAL SHOCK, OR INJURY:</p> <ul style="list-style-type: none"> • Read manual before operating machine. • Do Not Use Flammable Liquids or Operate Near Flammable Liquids, Vapors or Combustible Dusts. • Do Not Operate With Damaged Power Cord, Do Not Modify Plug, Unplug Power Cord Before Servicing Machine. • Do Not Use Outdoors. Do Not Expose to Rain. Store Indoors.
⚠ AVERTISSEMENT
<p>POUR RÉDUIRE LES RISQUES D'INCENDIE, L'EXPLOSION, DE CHOC ÉLECTRIQUE OU DE BLESSURE:</p> <ul style="list-style-type: none"> • Lisez le manuel avant d'utiliser la machine. • N'utilisez Pas Près de Liquides Inflammables ou Près de Liquides ou Vapeurs Inflammables ou Poussières Combustibles. • N'utilisez Pas la Machine Avec un Cordon d'Alimentation Endommagé. Ne Modifiez Pas la Prise. Débranchez le Cordon d'Alimentation Avant d'Entrettenir la Machine. • N'utilisez Pas en Extérieur. N'Exposez Pas à la Pluie. Entrezposez à l'Intérieur.
⚠ ADVERTENCIA
<p>PARA REDUCIR EL RIESGO DE INCENDIO, EXPLOSION, CHOQUE ELÉCTRICO, O LESIONES:</p> <ul style="list-style-type: none"> • Lea el manual antes de operar la máquina. • No Use Líquidos Flamables Y No Use Cerca De Líquidos Flamables, Vapores O Materiales Combustibles. • No Use Con Cable De Corriente Dañado. No Altere El Enchufe. Desconecte Cable De Corriente Antes Del Mantenimiento. • No Use Al Aire Libre. No Exponga A La Lluvia. Guarde Bajo Techo. <p style="text-align: right;">1072022</p>

ÉTIQUETTE D'AVERTISSEMENT - (p/n 1072022) Apposée sur la partie arrière de la poignée de commande.

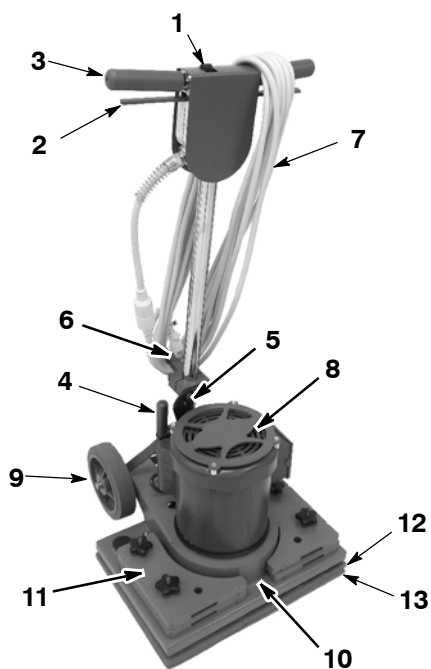


ÉTIQUETTE D'AVERTISSEMENT - (p/n 1206661) Situé sur la base de la machine.



⚠ WARNING	⚠ AVERTISSEMENT	⚠ ADVERTENCIA
<p>RISK OF EXPLOSION Floor sanding can result in an explosive mixture of fine dust and air. Use floor machine in a well ventilated area free from any flame or match.</p> <p style="text-align: right;">1206661</p>	<p>RISQUE D'EXPLOSION Le ponçage des planchers peuvent entraîner un mélange explosif de poussière fine et d'air. Utilisez la machine pour plancher dans un endroit bien ventilé et exempt de flamme ou d'allumette.</p>	<p>RIESGO DE EXPLOSIÓN El lijado de pisos puede producir una mezcla explosiva de aire y un polvo fino. Utilice la maquinaria para pisos en una área bien ventilada donde no haya ninguna llama ni fosforos encendidos.</p>

COMPOSANTS DE LA MACHINE

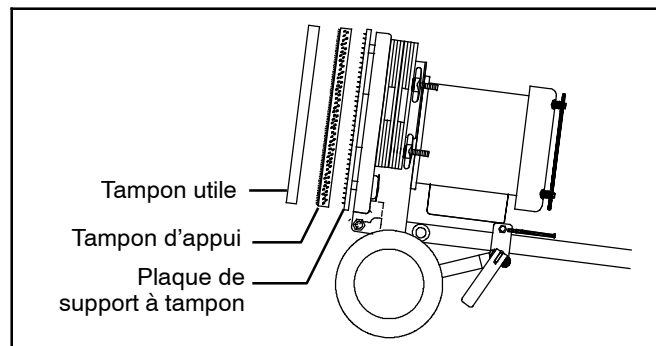


1. Interrupteur du verrou de la gâchette
2. Gâchettes de démarrage
3. Poignées de commande
4. Levier de réglage de la poignée
5. Levier du verrou de la poignée de transport
6. Crochet de rangement du cordon d'alimentation
7. Cordon d'alimentation détachable de 50 pi
8. Moteur de 1,5 hp
9. Roues de transport
10. Tête de récurage
11. Masses de la tête de récurage
12. Tampon d'appui
13. Tampon utile

INFORMATIONS RELATIVES AU TAMPON

TAMPON D'APPUI (avec des bandes de fixation) - (n° de pièce 9010674).

Pour obtenir une performance de nettoyage et éviter d'endommager la plaque de support à tampon ou la surface de plancher, utilisez toujours un tampon d'appui avec des tampons utiles comme illustré ci-dessous.



TAMPONS UTILES :

Pour obtenir de meilleurs résultats, utilisez le type de tampon utile approprié pour chaque application de nettoyage. Tampons utiles recommandés ci-dessous.

Tampon de polissage (blanc) - Utilisez-le pour conserver les planchers polis de manière optimale (n° de pièce 1205512, paquet de 10).

Tampon de lustrage (rouge) - Utilisez-le pour un récurage léger sans enlever la finition de plancher (n° de pièce 1205513, paquet de 10).

Tampon de récurage (bleu) - Utilisez-le pour un récurage pour travaux moyens à robustes (n° de pièces 1205514, paquet de 10).

Tampon de préparation de surface (bordeaux) - Utilisez-le pour enlever de manière très agressive mais sans produit chimique la finition de plancher afin de préparer le plancher pour un revêtement éventuel (n° de pièce 1205515, paquet de 10).

CONFIGURATION DE LA MACHINE ET UTILISATION

INSTALLATION DU TAMPON D'APPUI ET DU TAMPON UTILE

REMARQUE : Utilisez uniquement les tampons fournis ou approuvés par le fabricant et conçus spécifiquement pour cette machine.

POUR LA SÉCURITÉ : Avant d'installer le tampon, débranchez le cordon de la prise murale.

1. Mettez le levier du verrou de la poignée de transport dans la position verrouillée et abaissez avec précaution la poignée jusqu'au plancher (Figure 1).

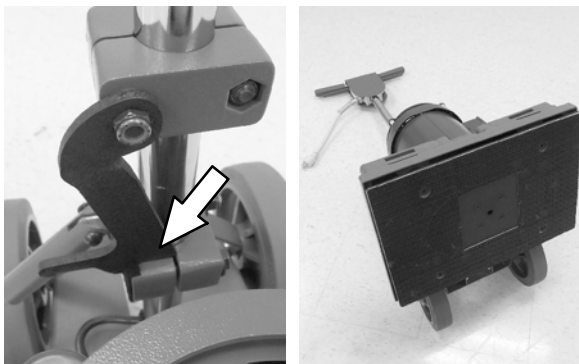


FIG. 1

2. Posez le tampon d'appui sur la tête de récurage avec les bandes de fixation faisant face vers l'extérieur. Posez ensuite le tampon utile sur le tampon d'appui (Figure 2).

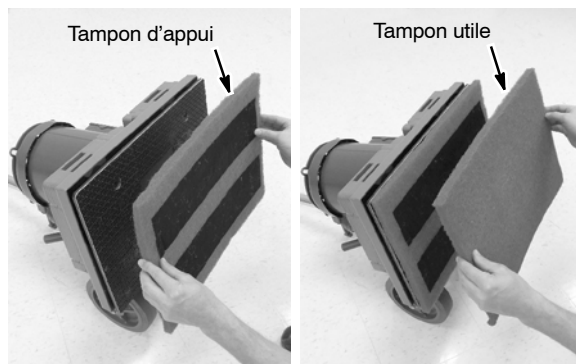


FIG. 2

3. Remplacez la machine en position verticale.

INSTALLATION DES MASSES DE LA TÊTE DE RÉCURAGE

Chaque nouvelle machine est équipée de deux ensembles de masses pour augmenter la pression du tampon. Un ensemble pèse 11 kg/24 lb. Cette machine est conçue pour contenir un maximum de trois ensembles de masses. Utilisez les masses selon le besoin. Fixez les masses sur la tête de récurage à l'aide de rondelles et de boutons de fixation (Figure 3).

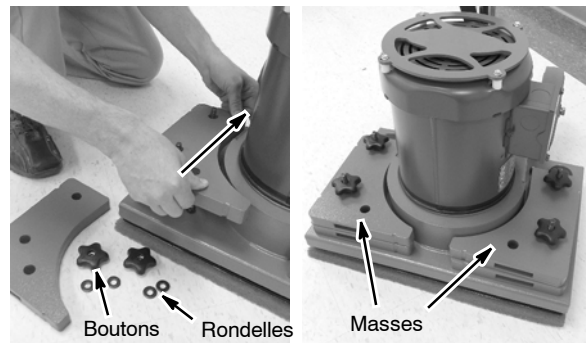


FIG. 3

RÉGLAGE DE LA HAUTEUR DE LA POIGNÉE

1. Avec le levier du verrou de la poignée de transport dans la position non verrouillée, desserrez le levier de réglage de la poignée en le relevant vers le haut (Figure 4).

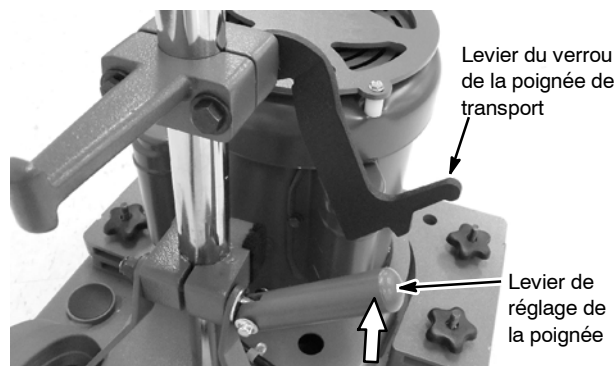


FIG. 4

2. Réglez la poignée vers une position de fonctionnement confortable et appuyez fermement sur le levier de réglage de la poignée pour verrouiller la poignée en position (Figure 5).

REMARQUE : Si le levier de réglage de la poignée ne verrouille pas en sécurité la poignée, serrez l'écrou de réglage selon le besoin.

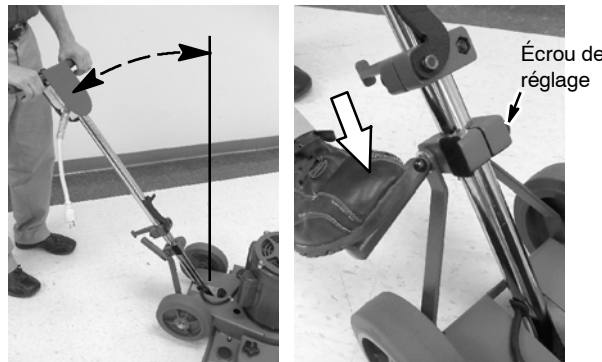


FIG. 5

BRANCHEMENT DU CORDON D'ALIMENTATION

1. Branchez le cordon d'alimentation fourni dans la machine et faites tourner la prise dans le sens horaire pour verrouiller sa connexion (Figure 6).
2. Branchez le cordon d'alimentation dans la prise murale mise à la terre de manière appropriée (Figure 7).

POUR LA SÉCURITÉ : N'utilisez la machine que si le cordon d'alimentation est mis à la terre de manière appropriée.



FIG. 6

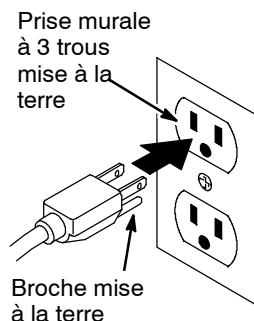


FIG. 7

⚠ AVERTISSEMENT : Pour réduire le risque d'incendie, d'explosion, de choc électrique ou de blessure, n'utilisez pas la machine avec un cordon d'alimentation endommagé.

POUR LA SÉCURITÉ : N'utilisez la machine avec un deuxième cordon prolongateur que si ses caractéristiques nominales sont adaptées à la machine.

3. Lorsque la machine n'est pas utilisée, enroulez avec soin le cordon d'alimentation autour de la poignée et du crochet du cordon (Figure 8).



FIG. 8

FONCTIONNEMENT DE LA MACHINE

POUR VOTRE SÉCURITÉ : Ne faites pas fonctionner la machine sans avoir lu et bien compris le manuel de l'opérateur.

1. Placez la machine sur une surface plane et maintenez les poignées de commande de manière à ce que la tête de récurage soit parallèle au plancher.
2. Pour démarrer la machine, saisissez les poignées de commande, poussez l'interrupteur du verrou de la gâchette vers l'avant et tirez sur la gâchette de démarrage gauche ou droite (Figure 9). Relâchez l'interrupteur du verrou de la gâchette une fois que la machine démarre.

ATTENTION : Faites preuve de prudence lors du démarrage : la machine risque de faire un bond.

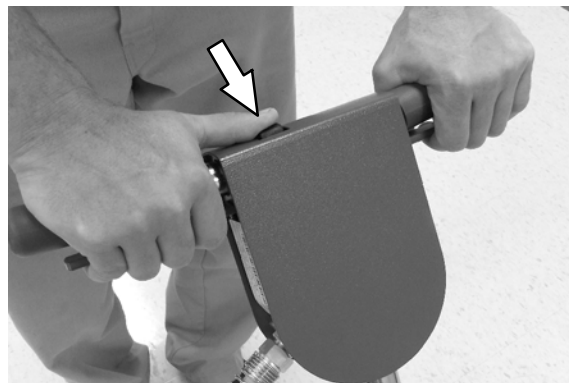


FIG. 9

3. Pour commencer le récurage, déplacez la machine lentement vers l'avant ou vers l'arrière (Figure 10). N'utilisez pas la machine sur un même endroit pendant une période prolongée, car un dommage éventuel du plancher peut se produire.



FIG. 10

ATTENTION : Faites preuve de prudence lors du fonctionnement de la machine près des plinthes et des installations fixées au plancher telles que des toilettes en porcelaine, des lavabos sur colonne et autres éléments fragiles. Gardez le rebord de la tête de récurage en métal à l'écart pour éviter tout dommage éventuel (Figure 11).

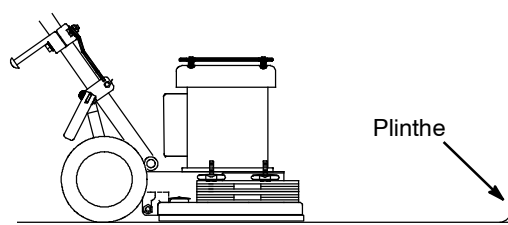


FIG. 11

4. Pour arrêter la machine, relâchez simplement les gâchettes et attendez jusqu'à l'arrêt complet de la machine avant de lâcher les poignées. L'interrupteur du verrou de la gâchette se réenclenche automatiquement.

REMARQUE : Lorsque le tampon est sale, retournez le tampon utile ou remplacez-le selon le besoin.

5. Pour manœuvrer la machine sur des seuils ou des grilles de plancher, inclinez la machine vers l'arrière sur les roues de transport.
6. Après l'utilisation de la machine, exécutez les procédures suivantes d'entretien de la machine.

ENTRETIEN DE LA MACHINE

⚠ AVERTISSEMENT : Débranchez le cordon d'alimentation avant le nettoyage ou l'entretien de la machine pour réduire le risque d'incendie, d'explosion, de choc électrique ou de blessure.

1. Retournez ou remplacez le tampon utile après chaque utilisation.
2. Nettoyez la machine avec un chiffon humide après chaque utilisation.
3. Inspectez le cordon d'alimentation pour détecter tout dommage éventuel après chaque utilisation. S'il est usé ou endommagé, remplacez le cordon immédiatement.
4. Essuyez le cordon d'alimentation avec un chiffon humide et enroulez avec soin le cordon autour du crochet et de la poignée après chaque utilisation.
5. Vérifiez régulièrement la machine pour détecter des dommages éventuels et assurez-vous que les boulons et écrous sont serrés.

POUR LA SÉCURITÉ : Durant l'entretien de la machine, toutes les réparations doivent être effectuées par une personne de service qualifiée.

6. Remplacer tous les quatre isolateurs annuelle ou après toutes les 300 heures d'utilisation. Reportez-vous à la page 28 de la liste des pièces section, article 29 - Kit Isolateur 9010670.

TRANSPORT DE LA MACHINE

1. Enroulez le cordon d'alimentation avec soin autour du crochet et de la poignée pour éviter d'endommager le cordon.
2. Chargez la machine à l'aide d'une rampe de chargement recommandée ou relevez avec précaution la machine avec une aide adéquate. Retirez les masses avant le relevage.

ATTENTION : La plaque de support à tampon de la tête de récurage est coupante; portez des gants de protection lors du relevage de la machine.

POUR LA SÉCURITÉ : Pendant le transport de la machine, obtenez de l'aide lors du relevage de la machine. Portez des gants de protection lors du relevage de la machine. N'utilisez pas les roues pour emprunter les escaliers.

3. Fixez la machine à l'aide de sangles lorsque vous la transportez dans un véhicule.

REMISAGE DE LA MACHINE

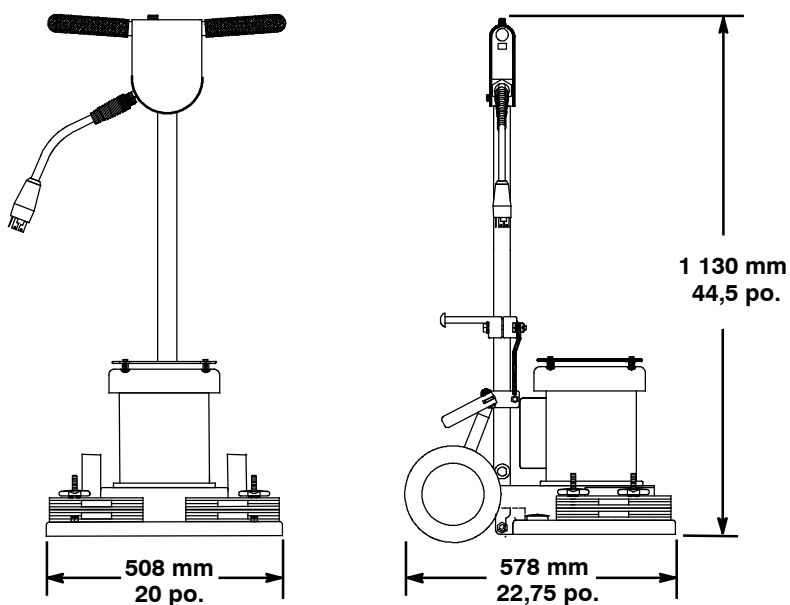
1. Enroulez avec soin le cordon d'alimentation autour du crochet et de la poignée.
2. Retirez le tampon d'appui pour éviter d'endommager le tampon par le poids de la machine. Entreposez la machine dotée d'un tampon utile afin d'éviter d'endommager la plaque de support à tampon et la surface de plancher.
3. Entreposez la machine dans un environnement sec à des températures comprises entre 5 °C et 35 °C/ 40 °F et 95 °F.

REMARQUE : N'utilisez pas la machine comme une marche; des dommages au moteur peuvent en résulter.

SPÉCIFICATIONS DE LA MACHINE

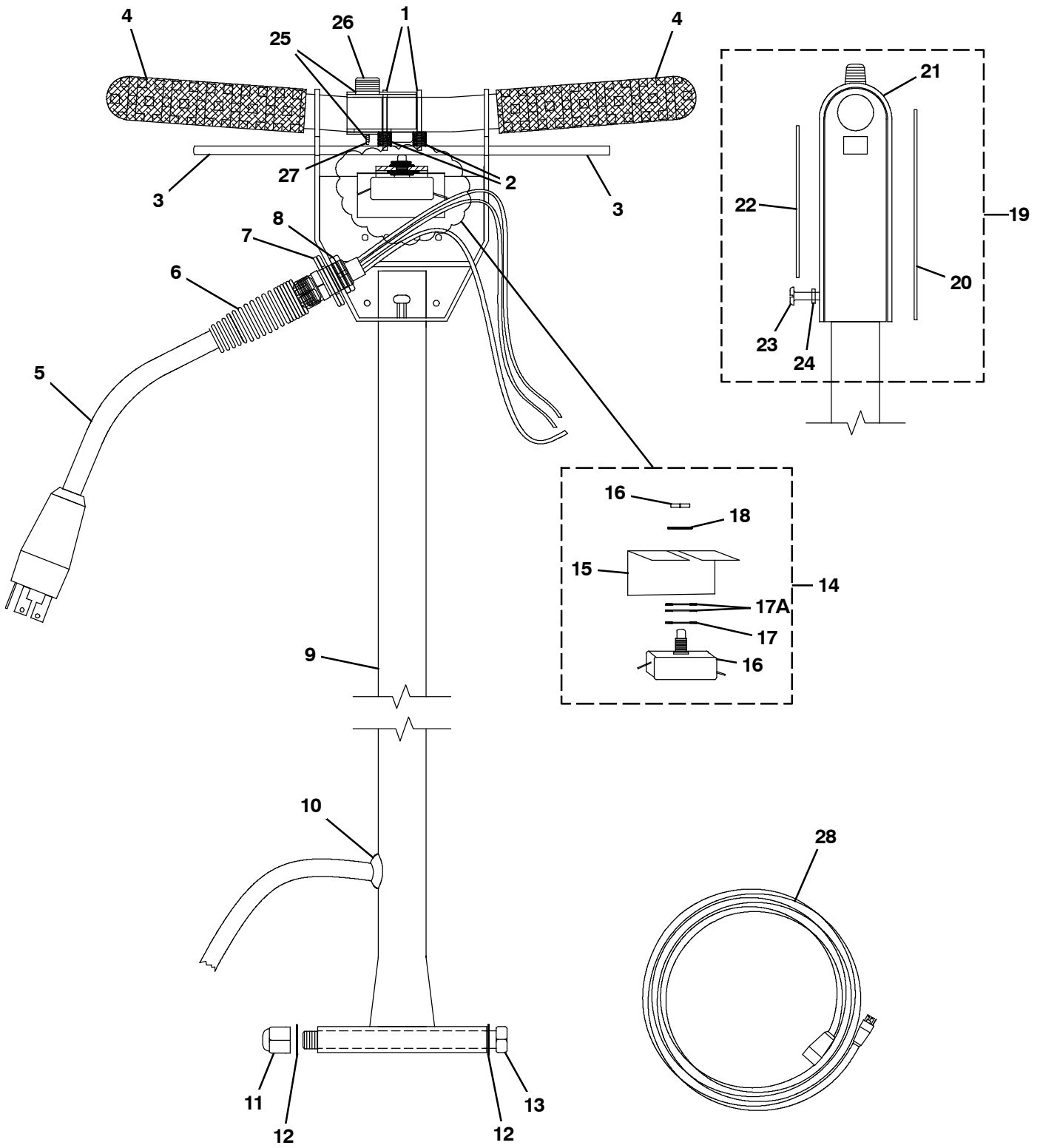
MODÈLE	F14
TENSION/FRÉQUENCE	120 V/60 Hz
PUISSANCE NOMINALE	9,0 A (nominale)/14,2 A (charge complète)
MOTEUR	1,5 hp/1,12 kW, 1 740 tr/min
HAUTEUR DE LA MACHINE	1 130 mm/44,5 po.
LARGEUR DE LA MACHINE	508 mm/20 po.
LONGUEUR DE LA MACHINE	578 mm/22,75 po.
POIDS DE LA MACHINE	85,7 kg/189 lb avec deux ensembles de masses et cordon
KIT DE MASSES DE LA TÊTE DE RÉCURAGE (Ensemble de 2)	10,9 kg/24 lb
TAILLE DU TAMPON	508 mm x 356 mm/20 po. x 14 po.
PRESSIION DU TAMPON (sans masses)	0,034 kg/cm ² /0,48 lb/po. ²
PRESSIION DU TAMPON (avec 1 ensemble de masses)	0,039 kg/cm ² /0,56 lb/po. ²
PRESSIION DU TAMPON (avec 2 ensembles de masses)	0,046 kg/cm ² /0,65 lb/po. ²
PRESSIION DU TAMPON (avec 3 ensembles de masses)	0,052 kg/cm ² /0,74 lb/po. ²
LONGUEUR DU CORDON D'ALIMENTATION	15,2 m/50 pi (12- 3 AWG)
NIVEAU DE PRESSIION ACOUSTIQUE	< 70 dB(A)

Les spécifications peuvent être modifiées sans préavis.



HANDLE GROUP

355175



HANDLE GROUP

Ref.	Part No.	Serial Number	Description	Qty.	
▽	9012569	(00000000-) Handle Assy Kit, Complete	1	
▲	1	N/A	(00000000-) Roll Pin - 1/8"	2
▲	2	N/A	(00000000-) Spring Trigger	2
▲	3	N/A	(00000000-) Trigger	1
▲	4	9012570	(00000000-) Kit, Grip Handle (Includes Qty 2)	1
▲▽	5	9010684	(00000000-) Pigtail Assy Kit, Handle	1
▲▲	6	N/A	(00000000-) Strain Relief	1
▲▲	7	N/A	(00000000-) Washer - .890 x 1.50 x .104 Thick Zinc	2
▲▲	8	N/A	(00000000-) Nut (Appleton BL50/Neer L 100)	1
▲	9	N/A	(00000000-) Handle - Chrome Plated	1
▲	10	N/A	(00000000-) Grommet	1
▲	11	N/A	(00000000-) Nut - Nyloc 1/2- 13 Zinc	1
▲	12	N/A	(00000000-) Washer - .875 x .510 x .030 Zinc	2
▲	13	N/A	(00000000-) Bolt - Grade 8 1/2- 13x6"	1
▲▽	14	9010682	(00000000-) Switch Assy Kit, Main	1
▲▲	15	N/A	(00000000-) Switch - Insulation	1
▲▲	16	N/A	(00000000-) Switch - On/Off (Includes Nut)	1
▲▲	17	N/A	(00000000-) Washer - Flat	1
▲▲	17A	N/A	(00000000-) Washer - Adjustable	2
▲▲	18	N/A	(00000000-) Washer - Internal Tooth	1
▲▽	19	9012571	(00000000-) Switch Box Assy Kit	1
▲▲	20	1072020	(00000000-) Label, Model F14 [Tennant]	1
▲▲	21	N/A	(00000000-) Switch Box Cover	1
▲▲	22	1072022	(00000000-) Label, Warning, AC Floor Machine	1
▲▲	23	N/A	(00000000-) Screw - 10- 24x.5"	2
▲▲	24	N/A	(00000000-) Washer - Star Lock	2
▲▽	25	9010683	(00000000-) Switch Assy Kit, Safety	1
▲▲	26	N/A	(00000000-) Switch - Safety	1
▲▲	27	N/A	(00000000-) Switch - Safety Spring	1
	28	9010687	(00000000-) Extension Cord Kit	1

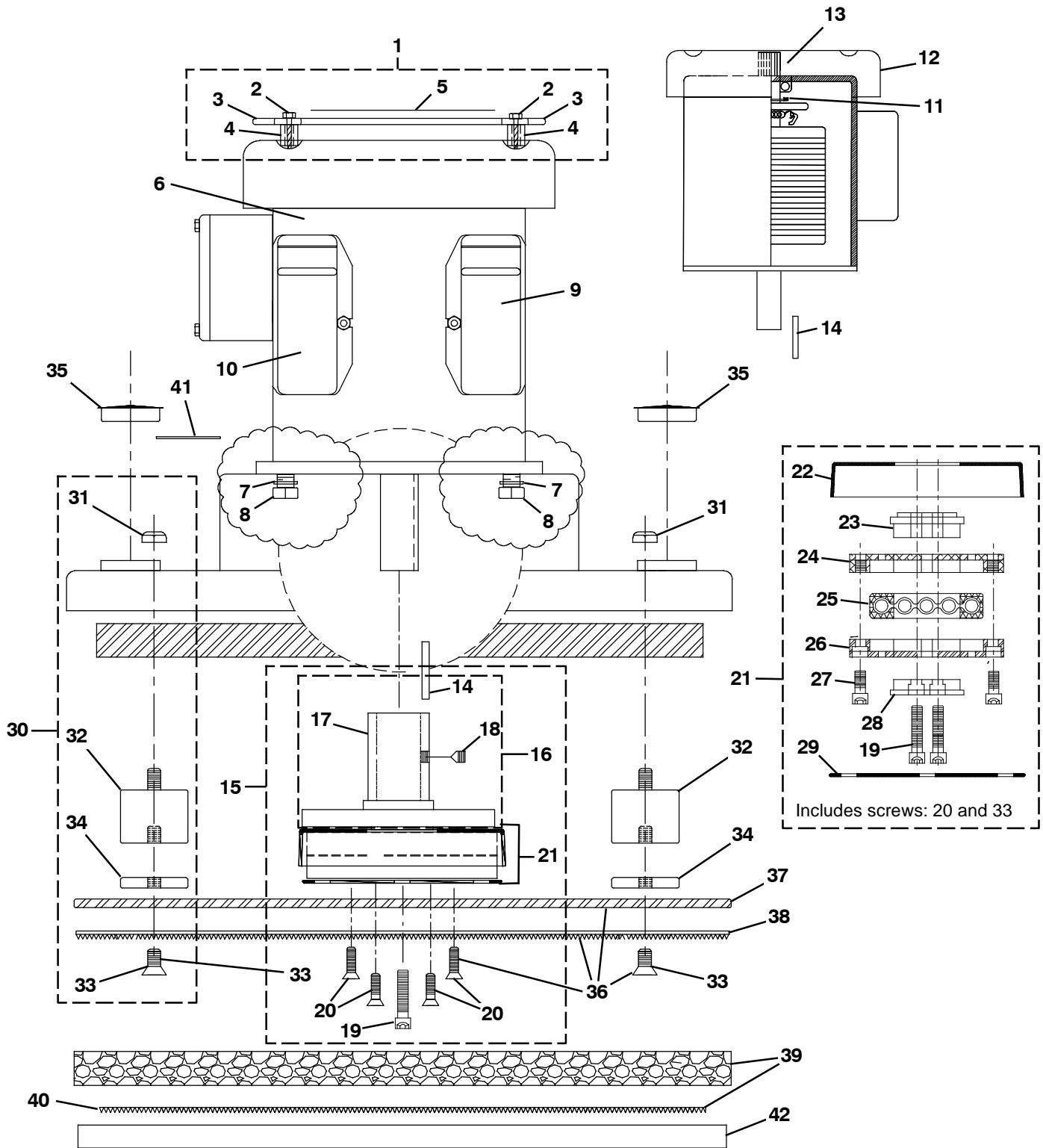
▽ KIT ASSEMBLY

▲ INCLUDED IN KIT

N/A Not Available Separately. Included with Kit.

MOTOR BASE GROUP

355176



MOTOR BASE GROUP

Ref.	Part No.	Serial Number	Description	Qty.
▽	1	9012572	(00000000-) Motor Kit, Sppt Assy	1
▲	2	N/A	(00000000-) Screw 2- 1/2 L Socket Head Metal #12 Black	4
▲	3	N/A	(00000000-) Motor Support Bracket - Black	1
▲	4	N/A	(00000000-) Spacer Nylon .50 OD x .25 ID x .625 L	4
▲	5	1039084	(00000000-) Label, Logo, 05.5l Wht/TI [Tennant]	1
▽	6	9012573	(00000000-) Motor Kit, 1.5 HP 180 Frame 115V/60Hz, Includes Key	1
▲	7	N/A	(00000000-) Washer - 1/2" Internal Tooth Lock	4
▲	8	N/A	(00000000-) Bolt - 1/2- 13x1" Zinc	4
▲	9	9010804	(00000000-) Capacitor, Start, 708- 850 mfd	1
▲	10	9010805	(00000000-) Capacitor, Run, 65 mfd	1
▲	11	9010806	(00000000-) Switch, Stationary	1
▲	12	9012574	(00000000-) Cover, Fan, Metal, Motor	1
▲	13	9010812	(00000000-) Fan, Plastic, Motor, w/ snap ring (not shown)	1
▲	14	N/A	(00000000-) Key - 1/4" x 1.25" (included with Motor)	1
▽	15	9012575	(00000000-) Eccentric Assembly Complete Kit	1
▲▽	16	9010672	(00000000-) Eccentric Drive Assembly Kit	1
▲▲	14	N/A	(00000000-) Key - 1/4" x 1.25"	1
▲▲	17	N/A	(00000000-) Eccentric Weight Weldment	1
▲▲	18	N/A	(00000000-) Screw .312- 18 x .375 Set Screw	1
▲	19	N/A	(00000000-) Screw 1/4- 20 x 1.5" Socket head Capscrew	2
▲	20	N/A	(00000000-) Screw 1/4- 20 x 1.125" Flathead Socket Capscrew	6
▲	33	N/A	(00000000-) Screw - 3/8- 16x1" Flathead Socket Capscrew	4
▲▽	21	9011251	(00000000-) Eccentric Bearing Assembly	1
▲▲	22	N/A	(00000000-) Upper Bearing Shield	1
▲▲	23	N/A	(00000000-) Eccentric Hub	1
▲▲	24	N/A	(00000000-) Top Bearing Retainer	1
▲▲	25	N/A	(00000000-) 6008- 2RS1 JEM Bearing	1
▲▲	26	N/A	(00000000-) Bottom Bearing Retainer	1
▲▲	27	N/A	(00000000-) Screw, 1/4- 20 x 1/2" Socket Head Capscrew	2
▲▲	28	N/A	(00000000-) Lower Bearing Axle	1
▲▲	29	N/A	(00000000-) Lower Bearing Shield	1
▲	19	N/A	(00000000-) Screw 1/4- 20 x 1.5" Socket head Capscrew	2
▲	20	N/A	(00000000-) Screw 1/4- 20 x 1.125" Flathead Socket Capscrew	6
▲	33	N/A	(00000000-) Screw - 3/8- 16x1" Flathead Socket Capscrew	4
▽	30	9010670	(00000000-) Isolators Kit, Vib Assy	1
▲	31	N/A	(00000000-) Nut Lock Thn Flex .375- 16 - Zinc	4
▲	32	N/A	(00000000-) Cylindrical Vibration Isolators - 2" Long	4
▲	33	N/A	(00000000-) Screw - 3/8- 16x1" Flathead Socket Capscrew	4
▲	34	N/A	(00000000-) Spacer, Nylon	4
▲	35	9010669	(00000000-) Button Plug Kit (Includes Qty 2)	1
▽	36	9010673	(00000000-) Pad Driver Assy Kit	1
▲	37	N/A	(00000000-) Pad Driver - 20x14 Black	1
▲	38	N/A	(00000000-) Pad Driver Face - 20x14	1
▲	20	N/A	(00000000-) Screw 1/4- 20 x 1.125" Flathead Socket Capscrew	6
▲	33	N/A	(00000000-) Screw - 3/8- 16x1" Flathead Socket Capscrew	4
	39	9010674	(00000000-) Backer Pad Assy Kit (Includes Pad with Velcro Strips)	1
	40	9012576	(00000000-) Strip Kit, Velcro (Pack of 10)	1
	41	1206661	(00000000-) Label, Warning, Floor Sanding [EN/FR/ES]	1
	42	1205512	(00000000-) Pad, Polish, 20" X 14", White (Pack of 10)	1
	42	1205513	(00000000-) Pad, Buff, 20" X 14", Red (Pack of 10)	1
	42	1205514	(00000000-) Pad, Scrub, 20" X 14", Blue (Pack of 10)	1
	42	1205515	(00000000-) Pad, Surf Prep, 20" X 14", Maroon (Pack of 10)	1

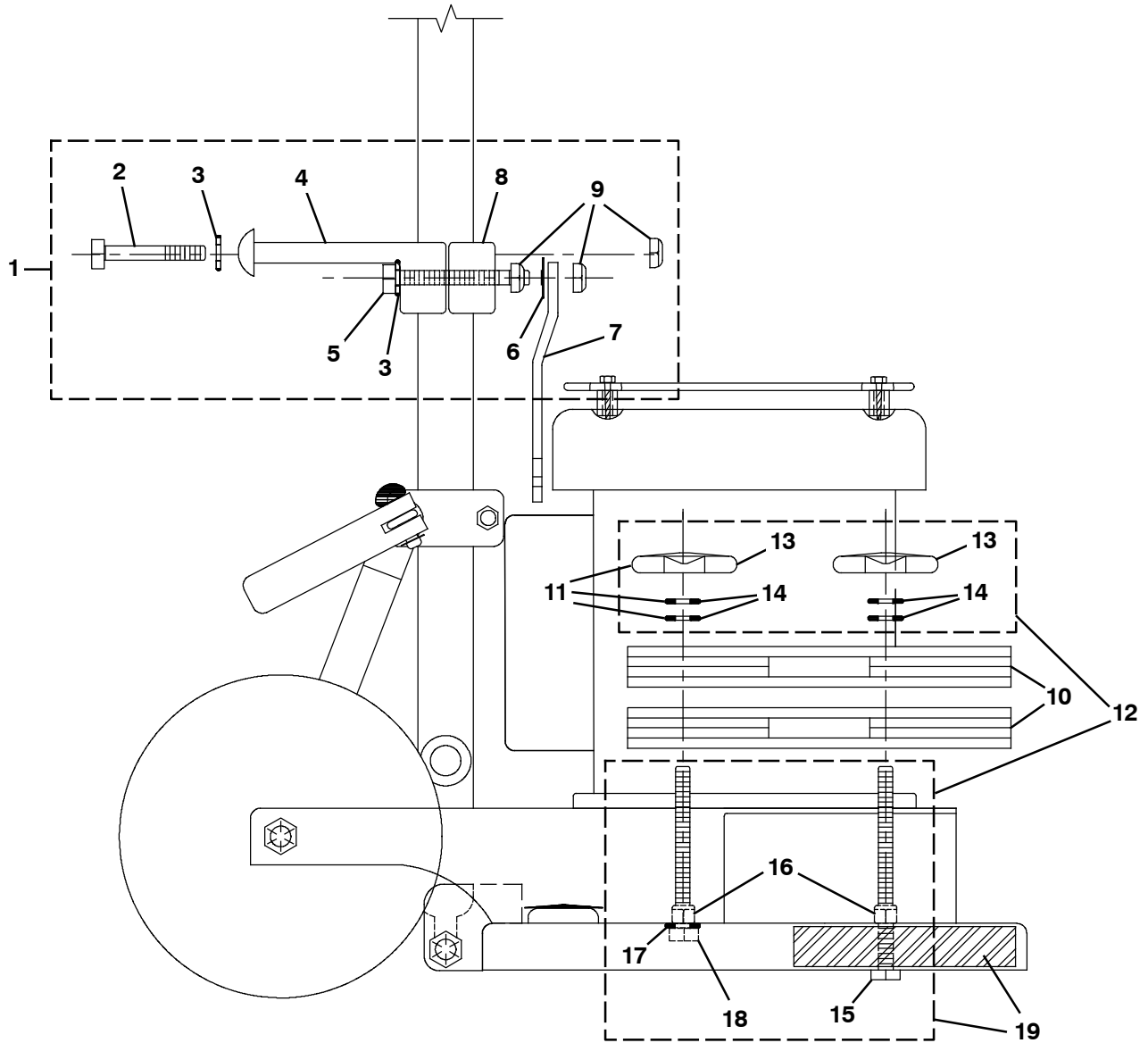
▽ KIT ASSEMBLY

▲ INCLUDED IN KIT

N/A Not Available Separately. Included with Kit.

CORD HOOK AND WEIGHT GROUP

355178



CORD HOOK AND WEIGHT GROUP

Ref.	Part No.	Serial Number	Description	Qty.
▽	1	9012577	(00000000-) Cord Hook / Power Lock Assy Kit	1
▲	2	N/A	(00000000-) Bolt - 3/8- 16x2- 1/2" Hex Capscrew Grade 8	1
▲	3	N/A	(00000000-) Washer - Flat Black Oxide 3/8"	2
▲	4	N/A	(00000000-) Cord Hook - Black	1
▲	5	N/A	(00000000-) Bolt - Tap 3/8- 16x3" Hex Grade 8	1
▲	6	N/A	(00000000-) Washer - Flat Nylon .932 OD	1
▲	7	N/A	(00000000-) Power Lock for Weighted Machines - Black	1
▲	8	N/A	(00000000-) Cord Hook Cap/Handle Lock Clamp - Black	1
▲	9	N/A	(00000000-) Nut - Lock Thn Flex .357- 16 Zinc	3
	10	9012578	(00000000-) Weight Kit, Top (Includes Qty 2)	1
	11	9010739	(00000000-) Knob Kit (Includes 1 knob and 2 washers)	1
▽	12	9010677	(00000000-) Knob Assy Kit, Weight Retention, Top	1
▲	13	N/A	(00000000-) Knob (Rosette) for 3/8- 16 Bolt (Also sold separately, see item 11, p/n 9010739)	4
▲	14	N/A	(00000000-) Washer - Flat Black Oxide 3/8"	8
▲	15	N/A	(00000000-) Bolt - Tap 3/8- 16x5" Hex Grade 8	2
▲	16	N/A	(00000000-) Nut - Nyloc Black 3/8- 16	4
▲	17	N/A	(00000000-) Washer - Flat Black Oxide 3/8"	2
▲	18	N/A	(00000000-) Bolt - Tap 3/8- 16x4" Hex Grade 8	2
	19	9010671	(00000000-) Weight Kit, Bottom (Includes items 15, 16, 17 & 18)	1

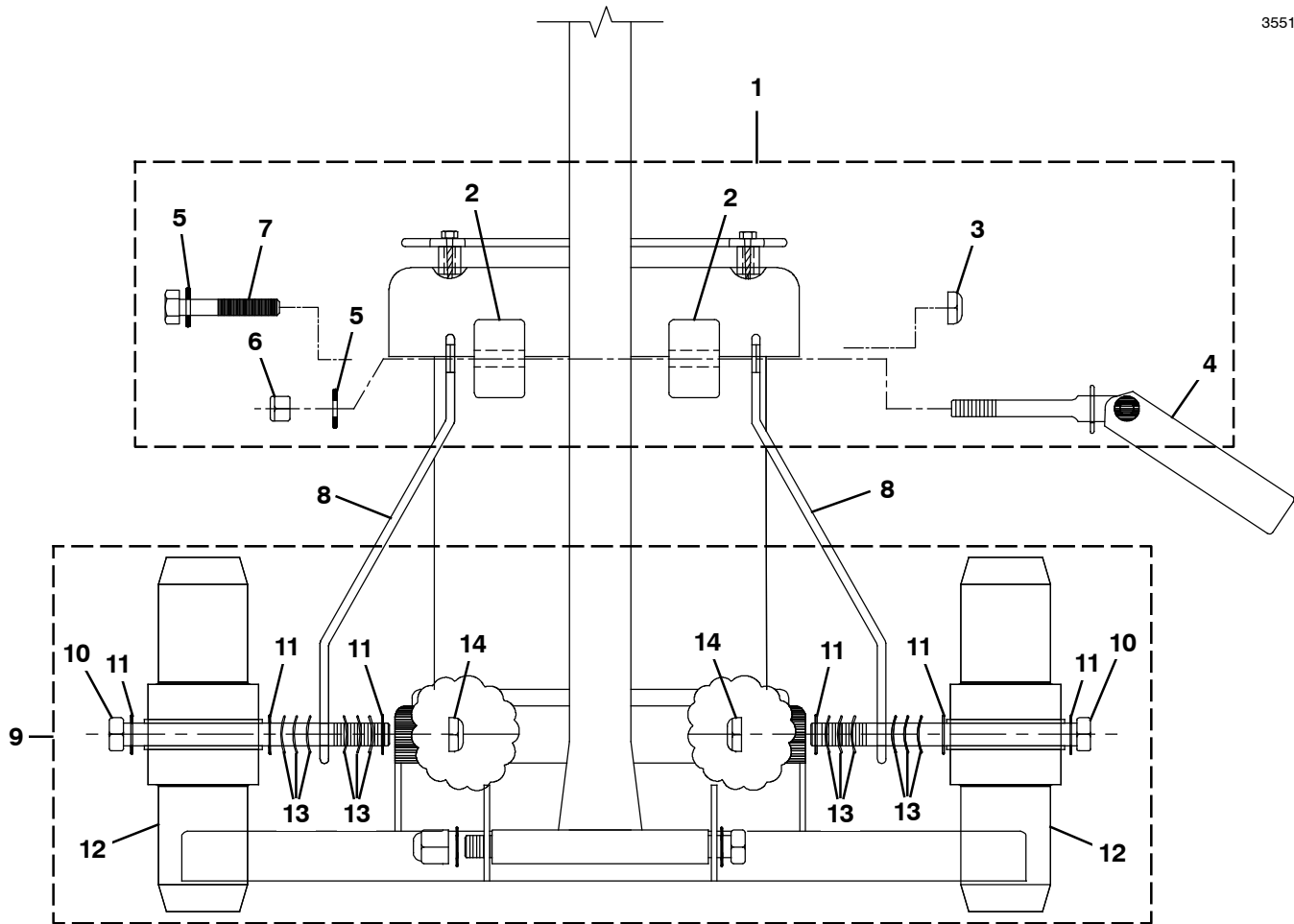
▽ KIT ASSEMBLY

▲ INCLUDED IN KIT

N/A Not Available Separately. Included with Kit.

WHEEL GROUP

355177



Ref.	Part No.	Serial Number	Description	Qty.
▽	1	9012579	(00000000-) Cam Lock Assy Kit	1
▲	2	N/A	(00000000-) Cord Hook Cap/Handle Lock Clamp	2
▲	3	N/A	(00000000-) Nut - Lock Thn Flex .357- 16 Zinc	1
▲	4	N/A	(00000000-) Camlock Assembly	1
▲	5	N/A	(00000000-) Washer - Flat Black Oxide 3/8"	2
▲	6	N/A	(00000000-) Nut - Nyloc Black 3/8- 16	1
▲	7	N/A	(00000000-) Bolt - 3/8- 16x2- 1/2" Hex Capscrew Grade 8	1
	8	9012580	(00000000-) Leg Kit, Connecting (Includes Qty 2)	1
▽	9	9010681	(00000000-) Wheel Assy Kit (Includes Qty 1)	1
▲	10	N/A	(00000000-) Bolt - Grade 8 1/2- 13x6"	1
▲	11	N/A	(00000000-) Washer - Zinc Plated Steel .875x.510x.030	3
▲	12	N/A	(00000000-) Wheel - 8" x 2" Ball Bearing	1
▲	13	N/A	(00000000-) Washer - Spring .875x.515x.030 Zinc	6
▲	14	N/A	(00000000-) Nut - 1/2- 13 Nyloc Thn - Zinc	1

▽ KIT ASSEMBLY

▲ INCLUDED IN KIT

N/A Not Available Separately. Included with Kit.

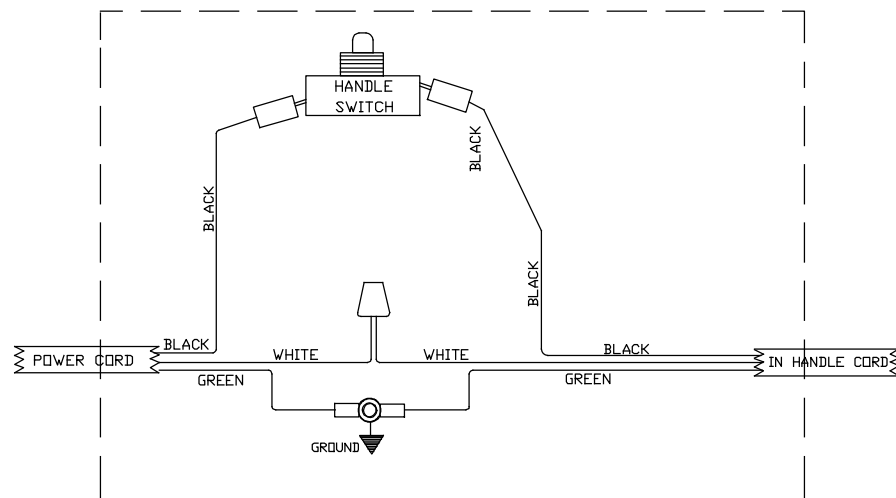
RECOMMENDED STOCKING ITEMS

Part No.	Description
9010682	Switch Assy Kit, Main
9010687	Extension Cord Kit
9010804	Capacitor, Start, 708- 850 mdf, 1.5 HP Motor
9010672	Eccentric Weight Weldment Kit
9010670	Isolators Kit, Vib Assy (Replace yearly or after every 300 hours of use)
9012578	Weight Kit, Top (Includes Qty 2)
9010739	Kit, Weight Knob (Includes 1 Knob and 2 washers)
9010681	Wheel Assy Kit (Includes Qty 1)
9010674	Backer Pad Assy Kit (Includes Velcro Strips)
1205512	Pad, Polish, 20" X 14", White (Pack of 10)
1205513	Pad, Buff, 20" X 14", Red (Pack of 10)
1205514	Pad, Scrub, 20" X 14", Blue (Pack of 10)
1205515	Pad, Surf Prep, 20" X 14", Maroon (Pack of 10)

ELECTRICAL DIAGRAM

355179

HANDLE WIRING



MOTOR WIRING

