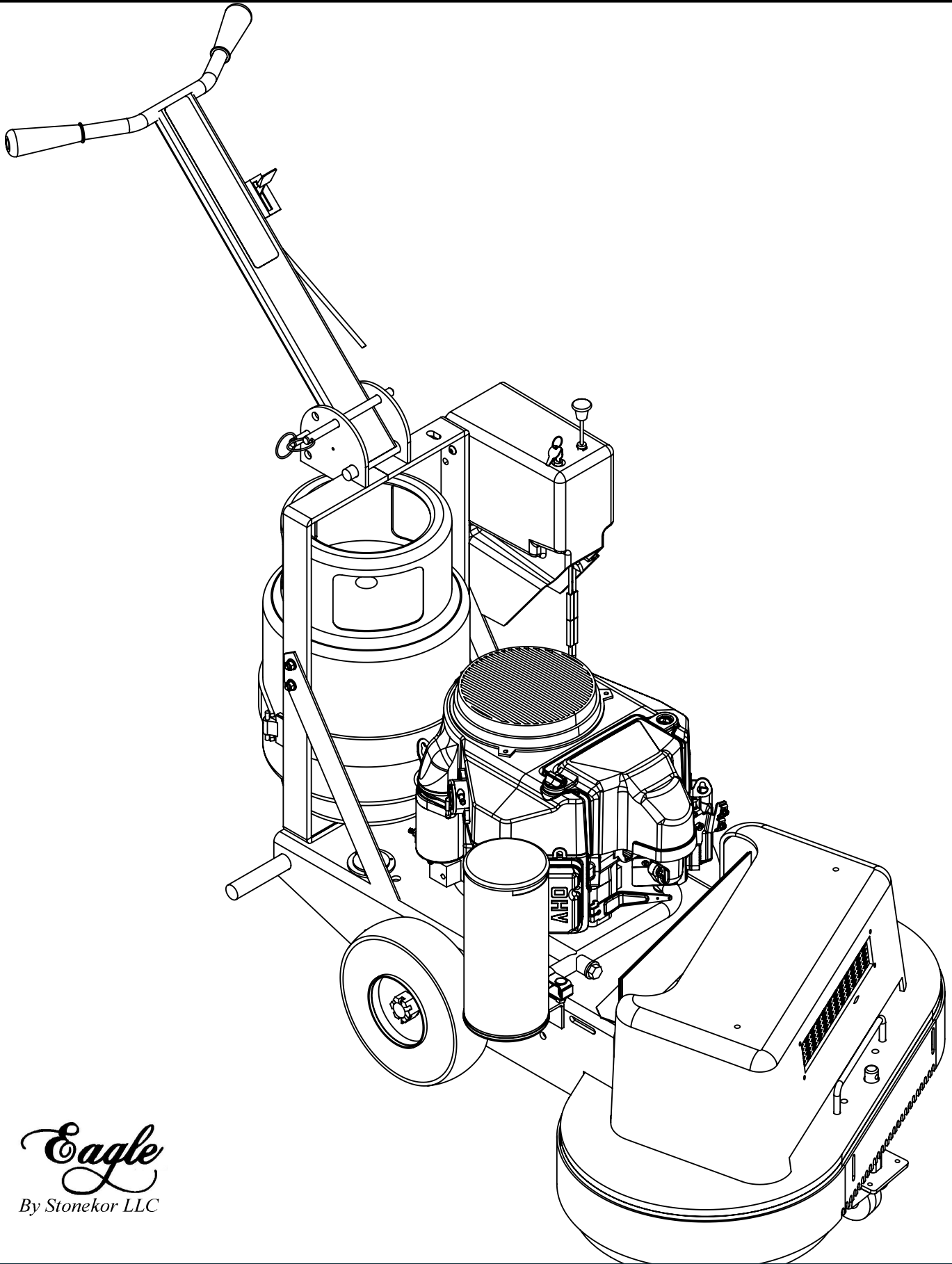


TRACKER 3000



Eagle
By Stonekor LLC



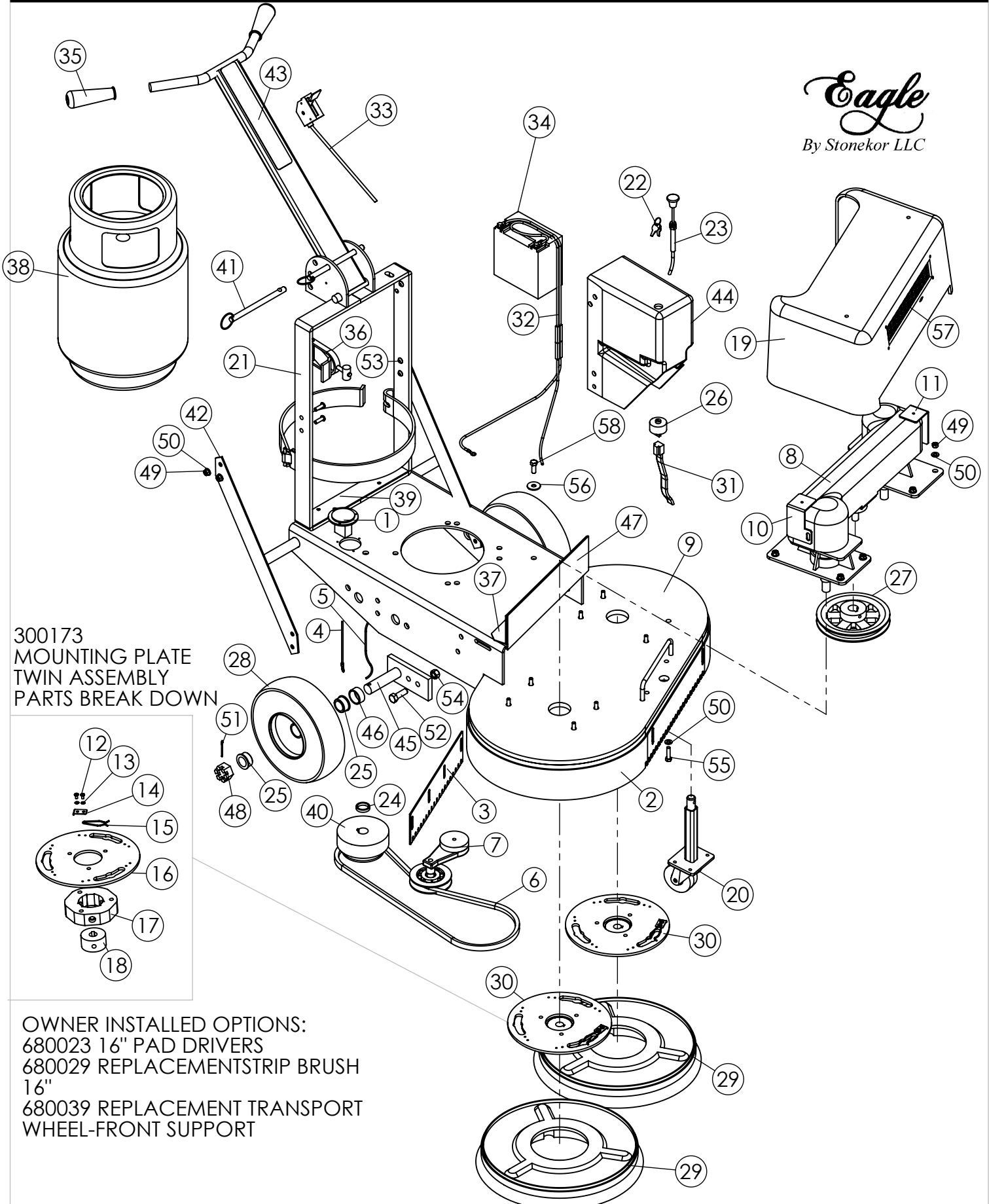
717-359-5281



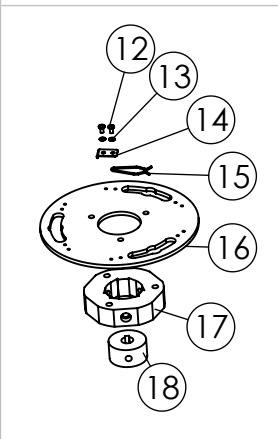
www.UltraCareSystems.com

TRACKER 3000 DECK SUB ASSY

Eagle
By Stonekor LLC



300173
MOUNTING PLATE
TWIN ASSEMBLY
PARTS BREAK DOWN



OWNER INSTALLED OPTIONS:
680023 16" PAD DRIVERS
680029 REPLACEMENT STRIP BRUSH
16"
680039 REPLACEMENT TRANSPORT
WHEEL-FRONT SUPPORT

TRACKER 3000 DECK SUB ASSY

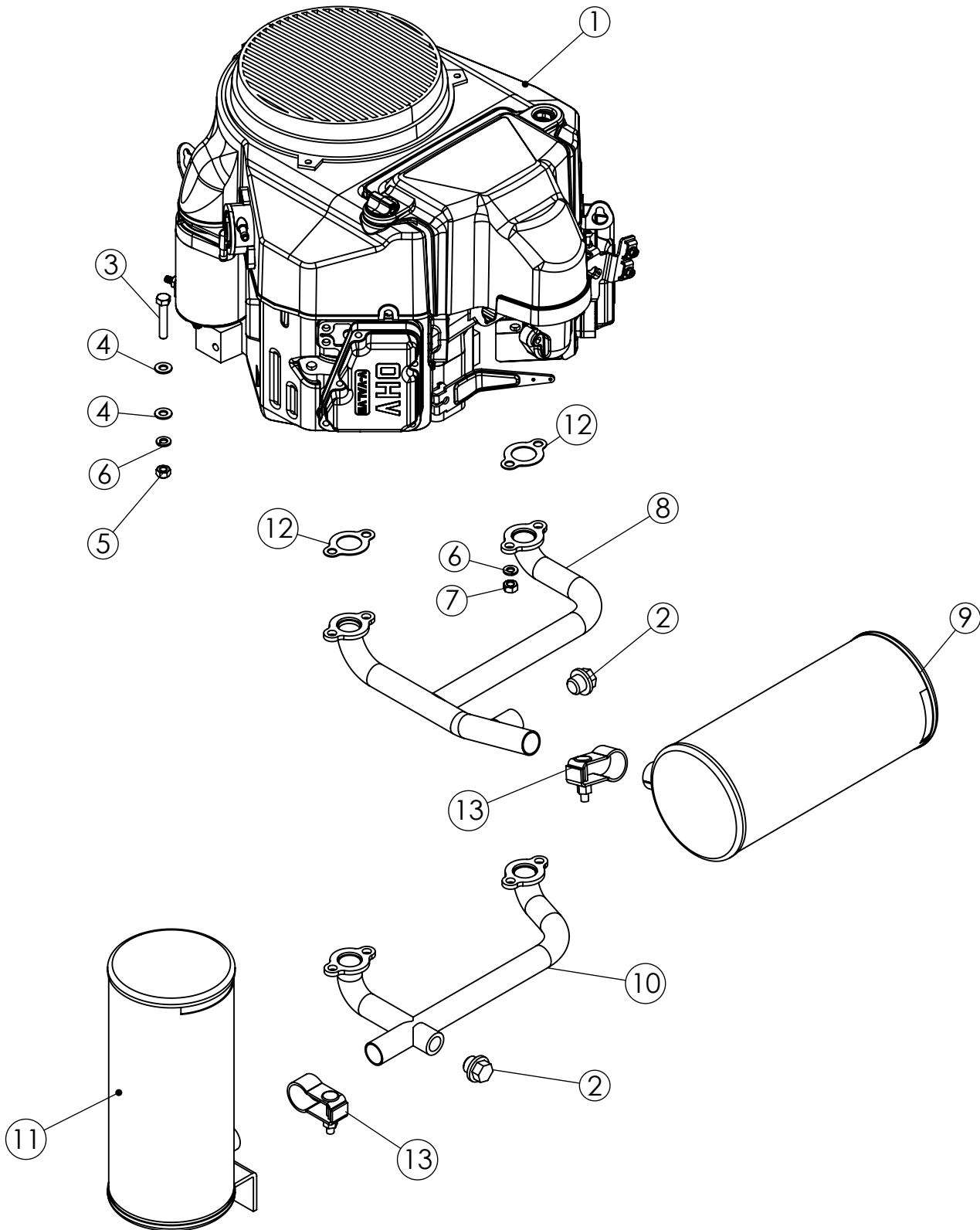
ITEM NO.	PART NUMBER	DESCRIPTION	QTY.
1	200111	HOUR METER	1
2	680254	SPLASH GUARD TRACKER-PLASTIC	2
3	300248	REAR SPLASH GUARD TRACKER	2
4	680284	GROUND WIRE, HOUR METER	1
5	680297	CLOCK WIRE KAWASAKI	1
6	200330	BELT BX-47 KEVLAR	1
7	300159	TENSIONER 24 & 27	1
8	680416	GEAR BOX 1 PC TRACKER	1
9	680172	TRACKER FRAME	1
10	680181	HOOD ASSY BRACKET RH TRACKER	1
11	680182	HOOD ASSY BRACKET LH TRACKER	1
12	200821	10-24 x 3/8 Phillips Pan Head Machine Screw	4
13	200922	3/16 INTERNAL TOOTH LOCK WASHER	4
14	680113	BRUSH PLATE CLAMP SS3000	2
15	680112	SPRING CLIP SS3000	4
16	680034	PLATE MOUNTING TWIN HEAD	2
17	680026	FLEX CENTER	2
19	680263	ALLUMINUM COVER TRACKER 3000	1
20	680045	TRANSPORT WHEEL BRACKET COMPLETE	1
21	680681	HANDLE EDGER, TRACKER, RR	1
22	680082	REPLACEMENT KEY	1
23	680255	CHOKE CABLE PUSH / PULL (KAWASAKI / ROBIN)	1
24	9035	CLUTCH SPACER	1
25	680109	DELRIN BEARING 1" SS3000/2500DC	4
26	300171	KEY SWITCH	1
27	680244	PULLEY, 7.0 X 5/8"	1


 By Stonekor LLC

TRACKER 3000 DECK SUB ASSY

ITEM NO.	PART NUMBER	DESCRIPTION	QTY.
28	5240	PNEUMATIC TIRE 10" (FOAM FILLED)	2
29	680029	BRUSH STRIP TRACKER 3000 16"	2
30	300173	MOUNTING PLATE TWIN ASSEMBLY	2
31	680223	WIRE HARNESS KAWASAKI	1
32	680296	BATTERY CONNECTOR COMPLETE - KAWASAKI	1
33	680599	THROTTLE CABLE WITHOUT CHOKE	1
34	4002	BATTERY SM 12V	1
35	1010	HANDLE GRIP	2
36	1003	TOGGLE	1
37	680242	HEAT SHEILD SUPPORT PLATE SS3000	1
38	680053	LP TANK (ALUM)	1
39	9042	VELCRO TAPE 2 X12	1
40	9037	CENTRIFUGAL CLUTCH	1
41	681294	HANDLE LOCKING PIN	2
42	680121	HANDLE SUPPORT GUSSETT	2
43	680067	INSTRUCTION LABEL - 9030	1
44	300137	BATTERY BOX-PLASTIC	1
45	680044	WHEEL AXLE TRACKER 3000	2
46	680820	WHEEL SPACER	2
47	680241	HEAT SHEILD FOIL MATERIAL	1
48	850120	NUT, HEX 1-14, SLOTTED	2
49	200822	5/16-18 Nylon Insert L/N	16
50	200832	5/16 SAE Flat Washer	20
51	200865	COTTER PIN	2
52	200806	1/2-13 X 1-1/2 HEX CAP SCREW	2
53	200902	5/16-18 x 1 Button Soc Cap Screw	5
54	200810	1/2-13 Grade C Grip Nut	2
55	200906	5/16 - 18 x 1 -1/4 Tap Bolt Gr 5 Zinc	8
56	WIDE FW.375	FENDER WASHER 3/8	1
57	680243	EXPANDED METAL PLATE 3 1/2 X 15	1
58	200800	3/8-16 x 1 Hex Cap Screw	1

KAWASAKI FS-481-603 CC EXHAUST SYSTEM

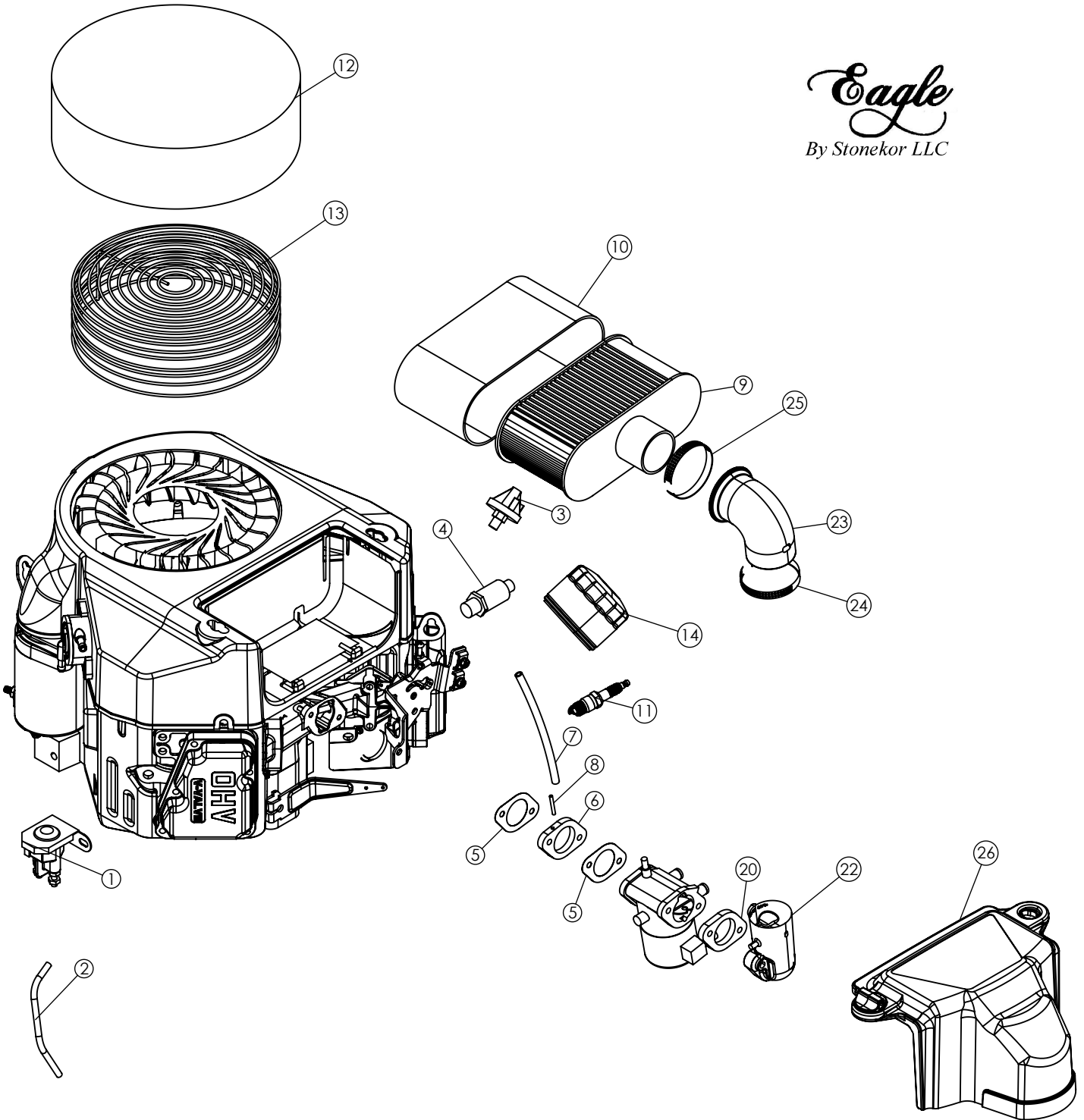


KAWASAKI FS-481-603 CC EXHAUST SYSTEM

ITEM NO.	PART NUMBER	DESCRIPTION	QTY.
1	300275	KAWASAKI ENGINE FS 481V W/O MUFFLER	1
2	680680	MANIFOLD BOLT PLUG	2
3	200858	5/16-18 x 1-3/4 Hex Cap Screw	4
4	200832	5/16 SAE Flat Washer	7
5	200822	5/16-18 Nylon Insert L/N	4
6	200885	5/16 Split Lock Washer	6
7	200905	8MM x 1.25 Hex Nut	4
8	300229	MANIFOLD HORIZONTAL FS 481 KAWASAKI NEW	1
9	300228	MUFFLER HORIZONTAL FS-481 KAWASAKI NEW	1
10	300233	MANIFOLD VERTICAL FS-481 KAWASAKI NEW	1
11	300232	MUFFLER VERTICAL FS-481 KAWASAKI NEW	1
12	W110607016	GASKET, MANIFOLD	2
13	300187	CLAMP MUFFLER ROBIN	2

KAWASAKI FS-481 603 CC ENGINE AND CARBURETOR

Eagle
By Stonekor LLC

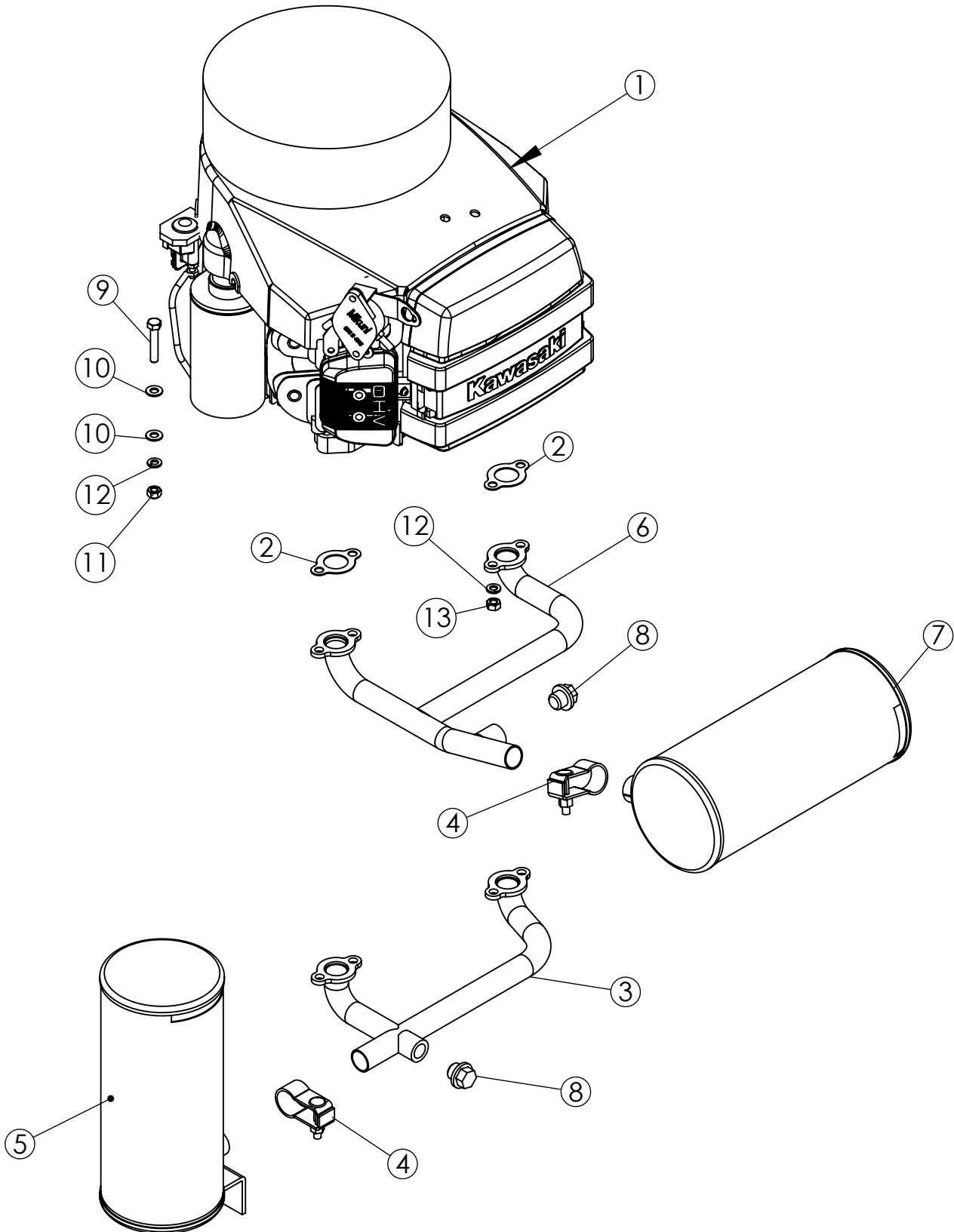


KAWASAKI FS-481 603 CC ENGINE AND CARBURETOR

ITEM NO.	PART NUMBER	DESCRIPTION	QTY.
1	680226	STARTER SOLENOID KAWASAKI	1
2	680298	STARTER TO SOLENOID WIRE	1
3	680222	OIL SWITCH	1
4	300202	VALVE OIL DRAIN	1
5	W110617004	GASKET AIR FILTER	2
6	W160737007	INSULATOR	1
7	1117	HOSE 3' VAC	1
8	1126	VENT TUBE	1
9	W999990384	ELEMENT AIR FILTER	1
10	W11013-7046	PRE CLEANER (KAWASAKI FS 481 V)	1
11	WBPR4ES	SPARK PLUG BPR4ES	1
12	680224	RECOIL FILTER- KAWASAKI	1
13	680225	RECOIL FILTER SUPPORT	1
14	W49065-7007	FILTER-OIL (KAWASAKI FS 481 V)	1
18	W999966051	CARBURETOR ASSEMBLY KAWASAKI 17 HP	1
19	1143	BRASS ELBOW 3/8 X 3/8 NPT	1
20	R26338001A3	SPACER	1
21	300297	CARB COMPLETE JD FS 481	1
22	W160607042	PIPE-INTAKE	1
23	W92192-7146	TUBE A/C	1
24	W92171-7010	CLAMP	1
25	W92173-7007	CLAMP	1
26	W110117064	CASE-AIR FILTER	1


 By Stonekor LLC

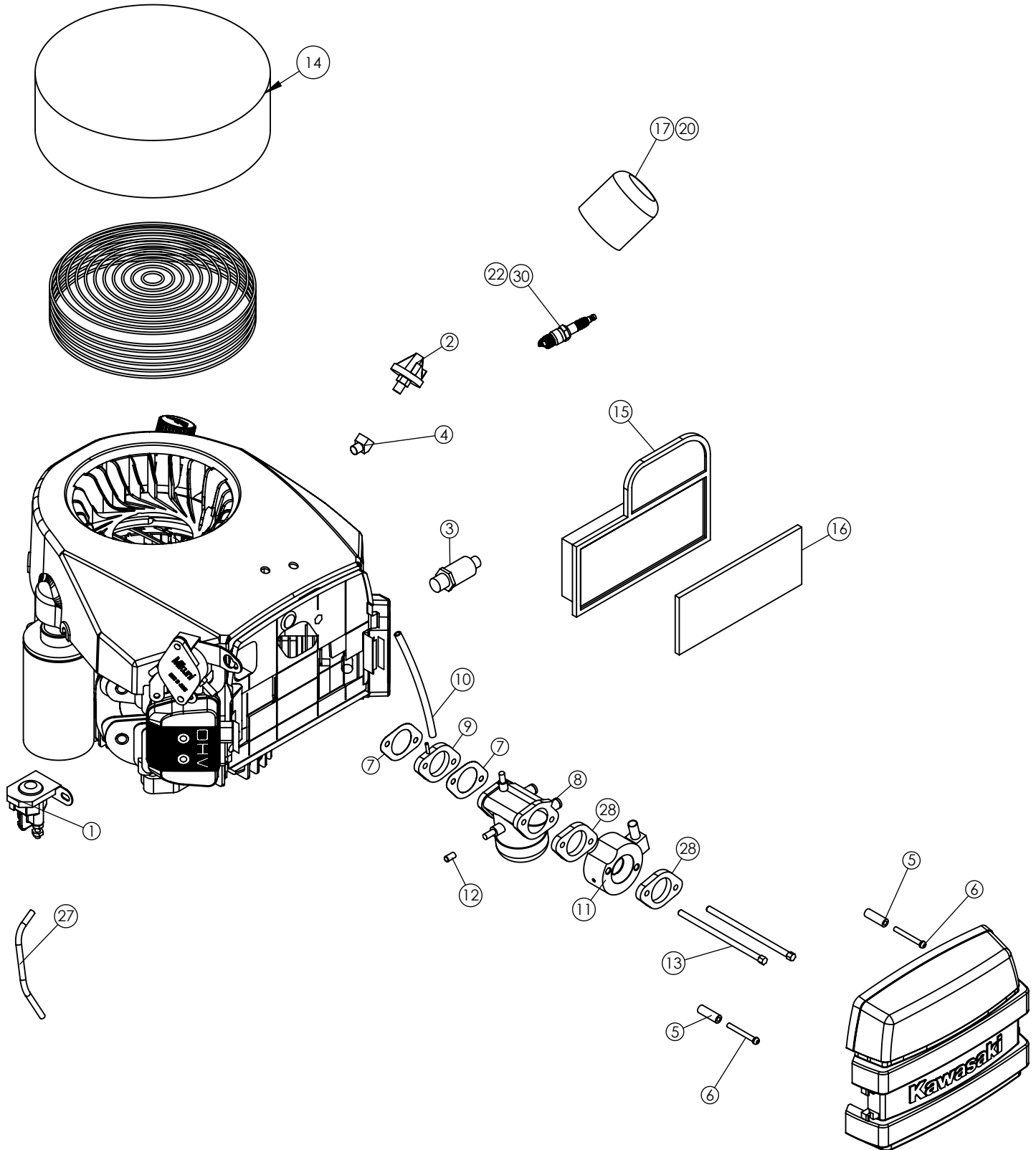
KAWASAKI FH-541-585 CC EXHAUST SYSTEM



KAWASAKI FH-541-585 CC EXHAUST SYSTEM

ITEM NO.	PART NUMBER	DESCRIPTION	QTY.
1	300149	KAWASAKI 17 HP COMPLETE W/O MUFFLER & MANIFOLD	1
2	W110607021	GASKET, MANIFOLD	2
3	300153	MANIFOLD KAWASAKI VERTICAL (680656)	1
4	300186	MUFFLER CLAMP KAWASAKI (680269)	2
5	300152	MUFFLER KAWASAKI VERTICAL (680268)	1
6	300151	MANIFOLD KAWASAKI HORIZONTAL	1
7	300150	MUFFLER KAWASAKI HORIZONTAL	1
8	680680	MANIFOLD BOLT PLUG	2
9	200858	5/16-18 x 1-3/4 Hex Cap Screw	4
10	200832	5/16 SAE Flat Washer	7
11	200822	5/16-18 Nylon Insert L/N	4
12	200885	5/16 Split Lock Washer	6
13	200905	8MM x 1.25 Hex Nut	4

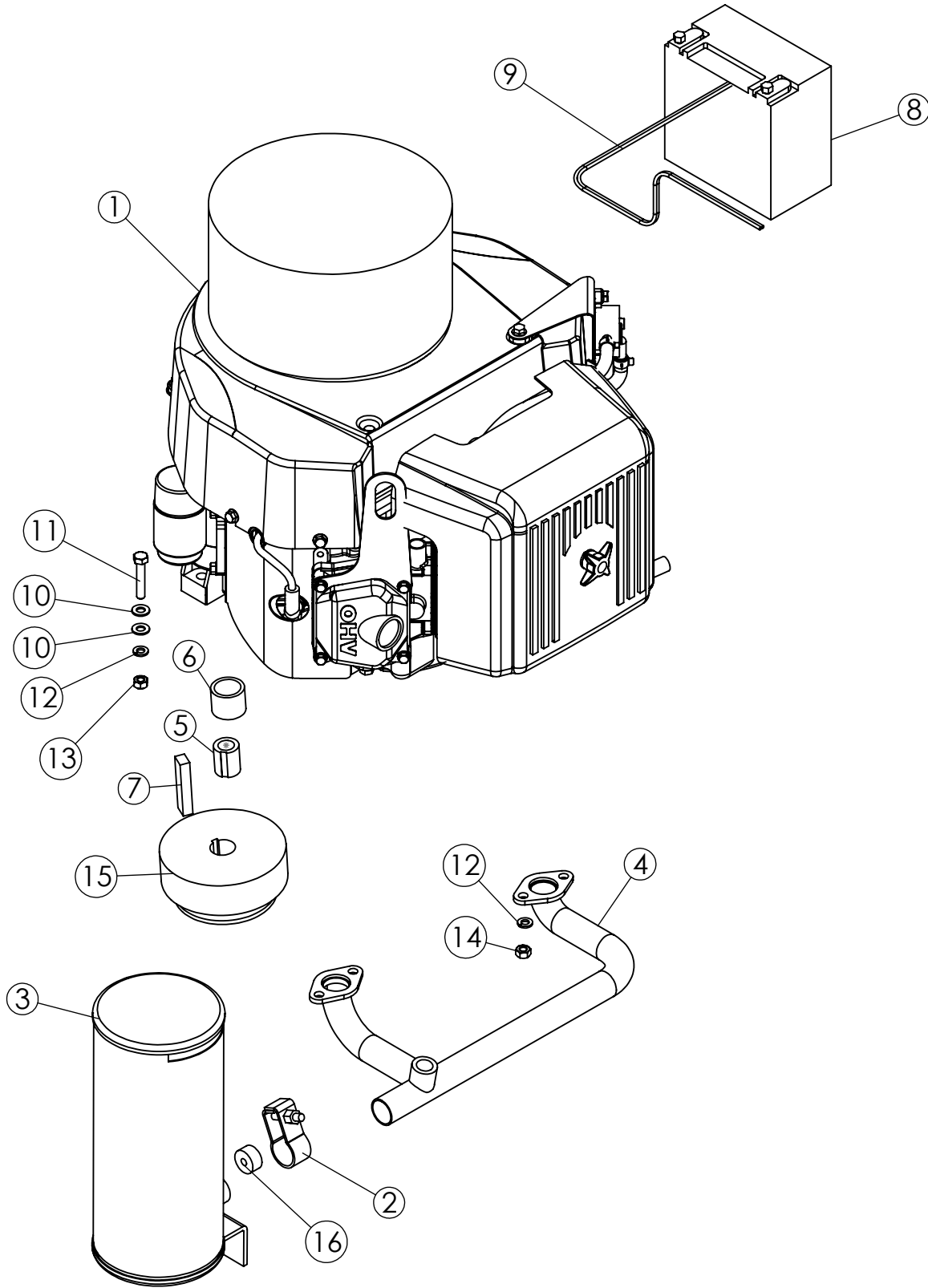
KAWASAKI FH-541-585 CC ENGINE AND CARBURETOR



KAWASAKI FH-541-585 CC ENGINE AND CARBURETOR

ITEM NO.	PART NUMBER	DESCRIPTION	QTY
1	680226	STARTER SOLENOID KAWASAKI	1
2	680222	OIL SWITCH	1
3	300202	VALVE OIL DRAIN	1
4	680088	SENDING UNIT ELBOW	1
5	680227	SPACER 1 1/8 KAWASAKI	2
6	680230	SCREW 10-32 X 1 3/4	2
7	W110617004	GASKET AIR FILTER	2
8		CARBURETOR ASSEMBLY ROBIN 22 HP	1
9	W160737007	INSULATOR	1
10	1117	HOSE 3' VAC	1
11	680236	FUEL LOAD BLOCK KAWASAKI	1
12	680235	RUBBER CAP 1/4-KAWASAKI	1
13	680229	STUD M6 X 130 KAWASAKI	2
14	680224	RECOIL FILTER- KAWASAKI	1
15	W11013-7001	AIR FILTER (KAWASAKI FH541 V)	1
16	W11013-7006	PRE CLEANER (KAWASAKI FH541 V)	1
17	W49065-7010	FILTER-OIL (KAWASAKI FH541 V)	1
18	W49065-7007	FILTER-OIL (KAWASAKI FS 481 V)	1
19	W92070-7004	PLUG, SPARK BPR4ES (NGK), SOLID (KAWASAKI FS 481 V)	2
27	680298	STARTER TO SOLENOID WIRE	1
28	R26338001A3	SPACER	2
29			1
30	WBPR4ES	SPARK PLUG BPR4ES	1

ROBIN 22 HP EXHAUST SYSTEM LX-30



Eagle
By Stonekor LLC

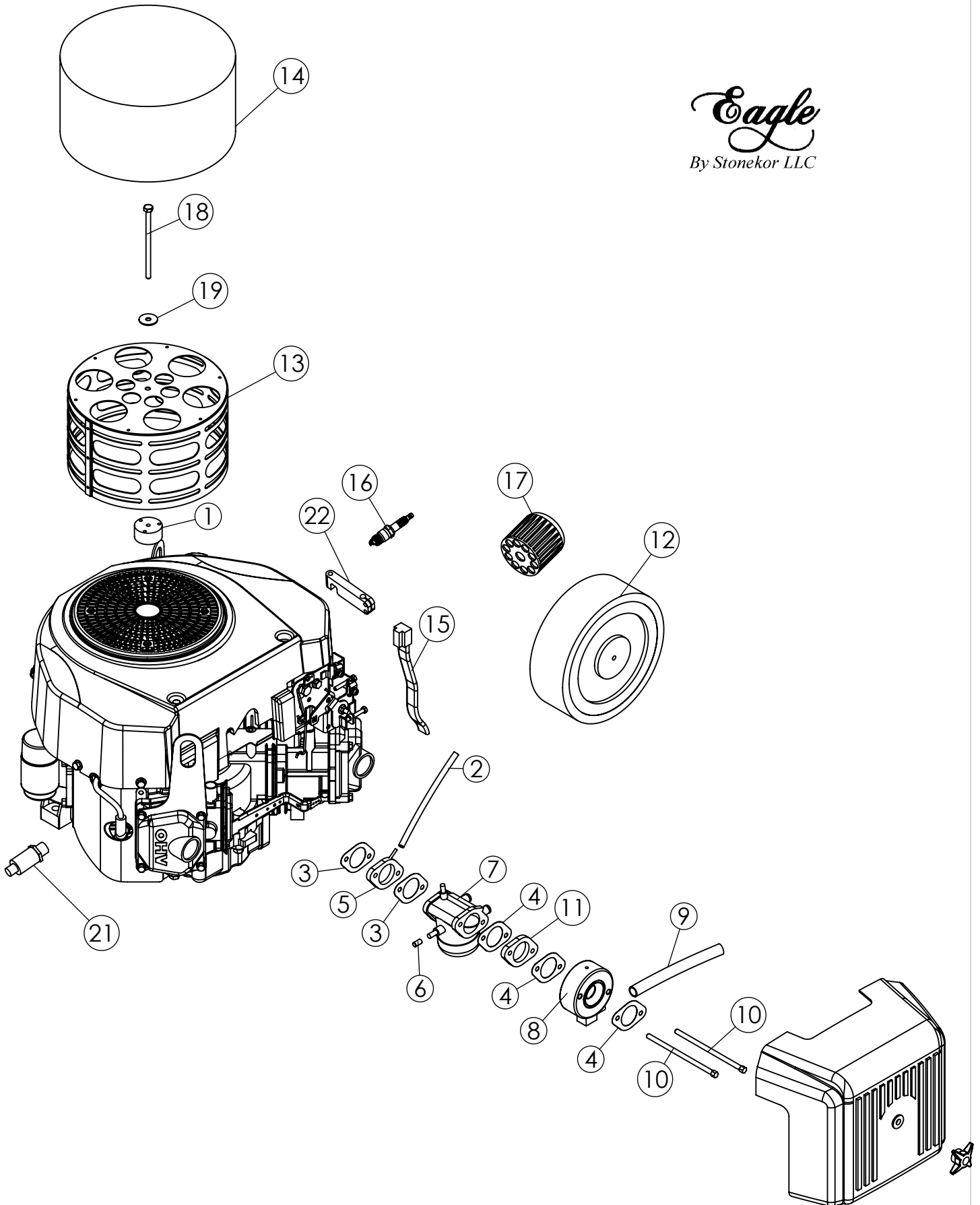
ROBIN 22 HP EXHAUST SYSTEM LX-30

ITEM NO.	PART NUMBER	DESCRIPTION	QTY.
1	300146	ROBIN 22 HP COMPLETE WITHOUT MUFFLER	1
2	300187	CLAMP MUFFLER ROBIN	1
3	300147	VERTICAL MUFFLER	1
4	300148	MANIFOLD ROBIN VERTICAL	1
5	200154	SHAFT EXTENSION ROBIN	1
6	200146	SPACER, CLUTCH	1
7	200155	KEY STOCK	1
8	4002	BATTERY SM 12V	1
9	200124	BATTERY CABLE ASSY	1
10	200832	5/16 SAE Flat Washer	7
11	200858	5/16-18 x 1-3/4 Hex Cap Screw	4
12	200885	5/16 Split Lock Washer	6
13	200822	5/16-18 Nylon Insert L/N	4
14	200905	8MM x 1.25 Hex Nut	4
15	680956	CENTRIFUGAL CLUTCH	1
16	680266	ALUM MUFFLER SPACER 1/2 X 1 X 5/16 HOLE	1


 By Stonekor LLC

ROBIN 22 HP ENGINE AND CARBURETOR

Eagle
By Stonekor LLC

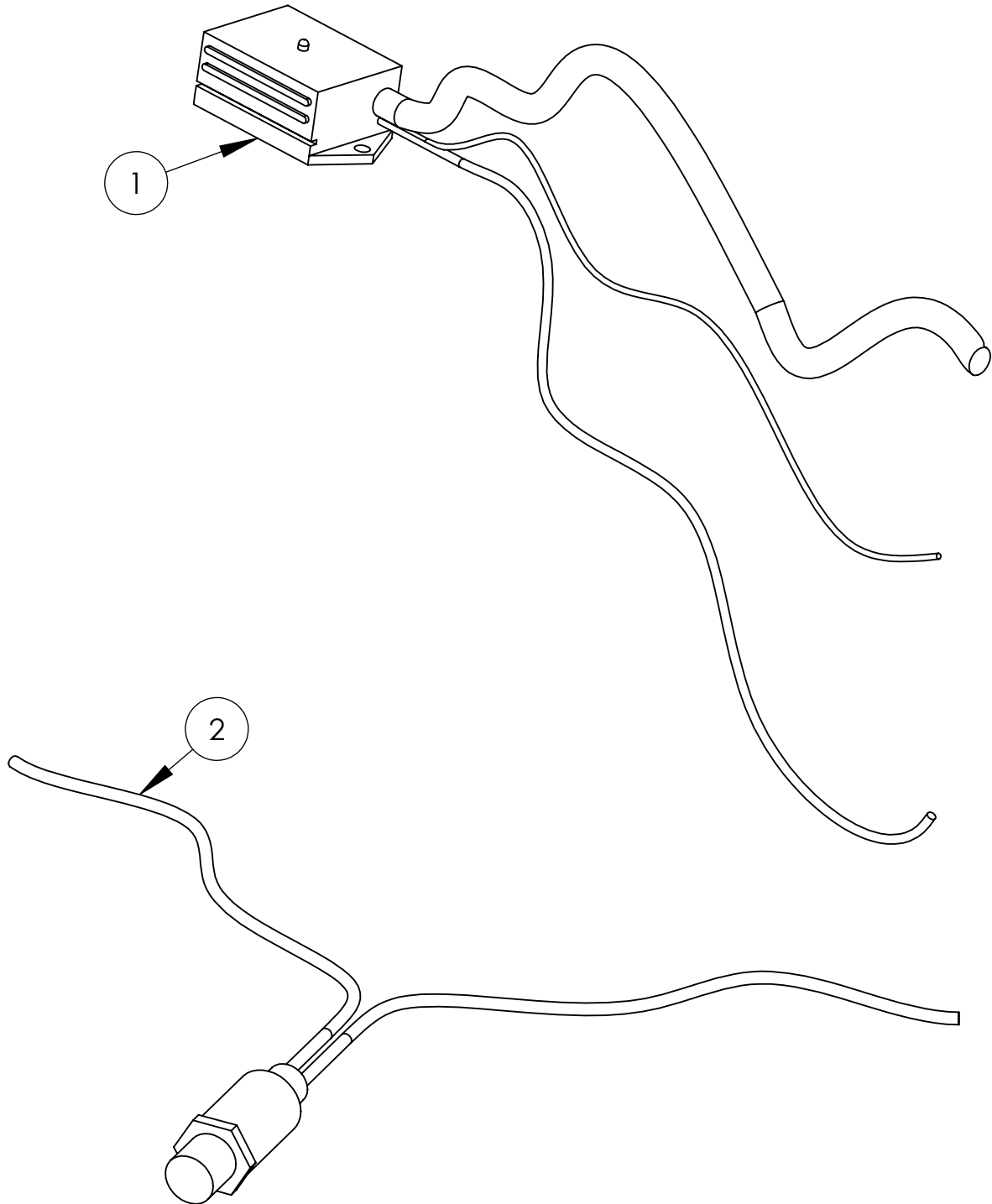


ROBIN 22 HP ENGINE AND CARBURETOR

ITEM NO.	PART NUMBER	DESCRIPTION	QTY.
1	200128	RECOIL SUPPORT FOR STUD	1
2	1117	HOSE 3' VAC	1
3	R26335501A3	INSULATOR GASKET	2
4	R26335502A3	AIR CLEANER GASKET	3
5	R26335401A3	INSULATOR WITH VACUUM TUBE	1
6	680235	RUBBER CAP 1/4-KAWASAKI	1
7		CARBURETOR ASSEMBLY ROBIN 22 HP	1
8	680553	ROBIN 22 HP FUEL LOAD BLOCK	1
9	1118	HOSE 3' FUEL	1
10	680229	STUD M6 X 130 KAWASAKI	2
11	R26338001A3	SPACER	1
12	R26332610A1	AIR CLEANER WITH FOAM PRE FILTER	1
13	300203	FILTER SUPPORT SCREEN ROBIN	1
14	680509	RECOIL FILTER ROBIN	1
15	R263-73123-A1	WIRE HARNESS SK SERIES GRINDERS ONLY	1
16	RX650140730	BPR4EY SPARK PLUG	1
17	R2486580100	OIL FILTER AY	1
18	200876	1/4-20 X 4 1/2 Hex Cap Screw	1
19	200828	1/4 x 1 fender Washer	1

Eagle
By Stonekor LLC

EMISSION SHUT DOWN

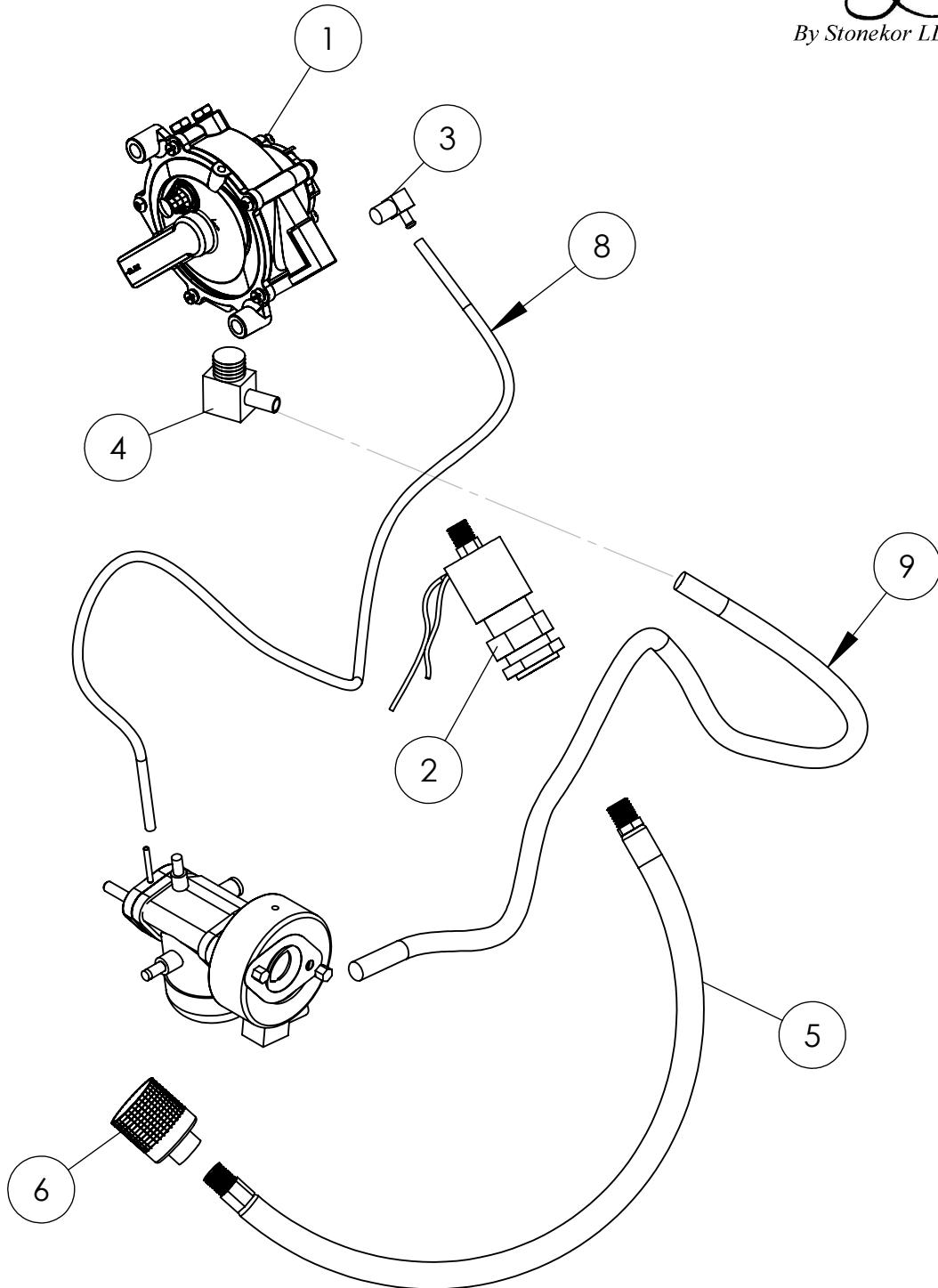


EMISSION SHUT DOWN

ITEM NO.	PART NUMBER	DESCRIPTION	QTY.
1	300142	EMISSION SHUT DOWN COMPLETE	1
2	300169	OXYGEN SENSOR ONLY	1
.	300139	EMISSION SHUT DOWN COMPLETE	1

REGULATOR ELECTRIC LOCK FITTING HOSE COUPLER

Eagle
By Stonekor LLC



REGULATOR ELECTRIC LOCK FITTING HOSE COUPLER

ITEM NO.	PART NUMBER	DESCRIPTION	QTY.
1	680350	REGULATOR FOR KAWASAKI & ROBIN	1
2	680265	FUEL LOCK WITH FILTER	1
3	1144	1/8 MALE PIPE X 3/16 HOSE BARB X 90	1
4	1143	BRASS ELBOW 3/8 X 3/8 NPT	1
5	1124	HOSE, LP TANK TO REGULATOR	1
6	1155	QUICK COUPLING	1
8	1117	HOSE, 3' VAC	1
9	1118	HOSE, 3' FUEL	1
.	300160	REGULATOR ELECT. LOCK FITTING COMPLETE	

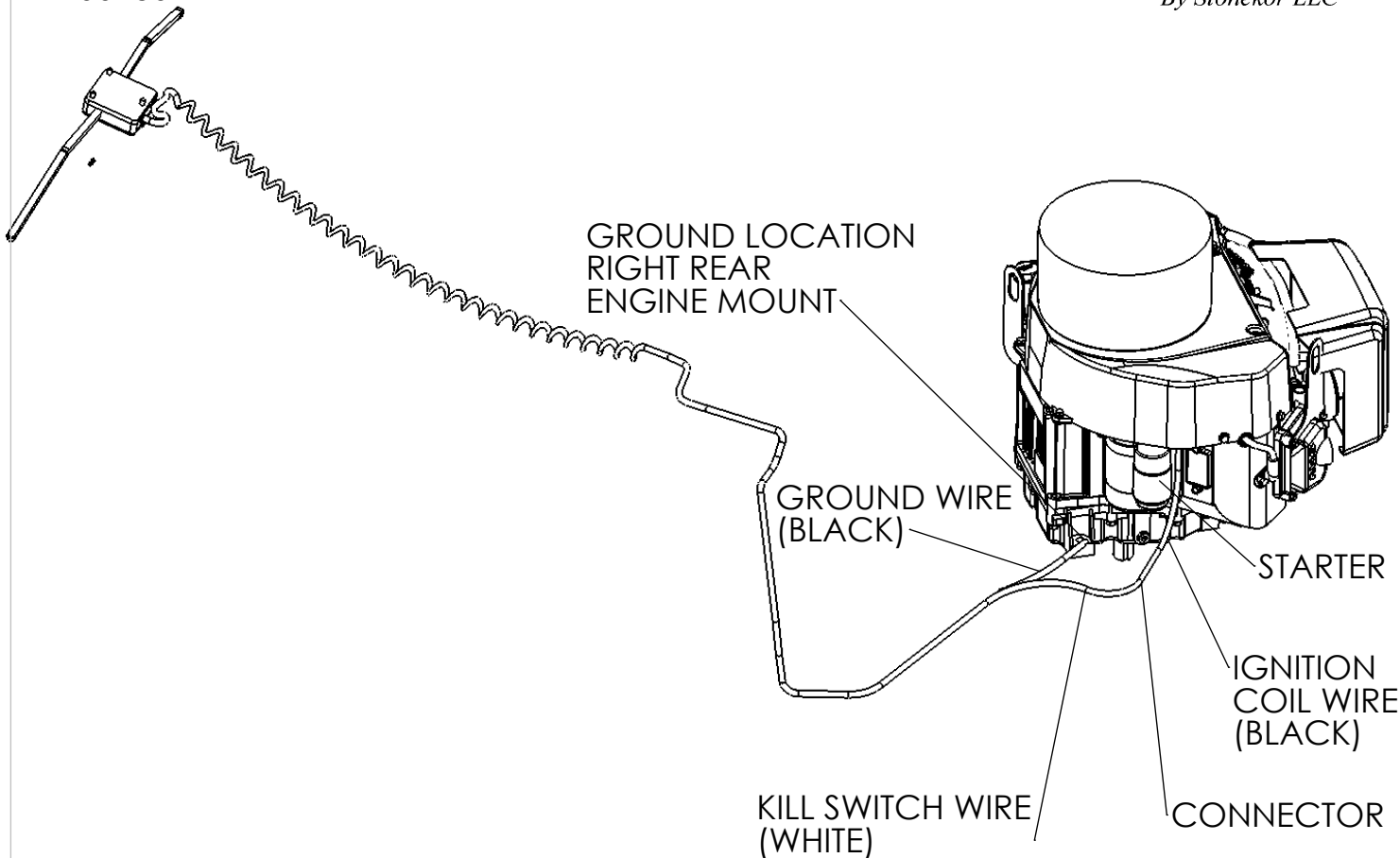

By Stonekor LLC

KILL SWITCH SCHEMATIC ROBIN & KAWASAKI ENGINES

Eagle

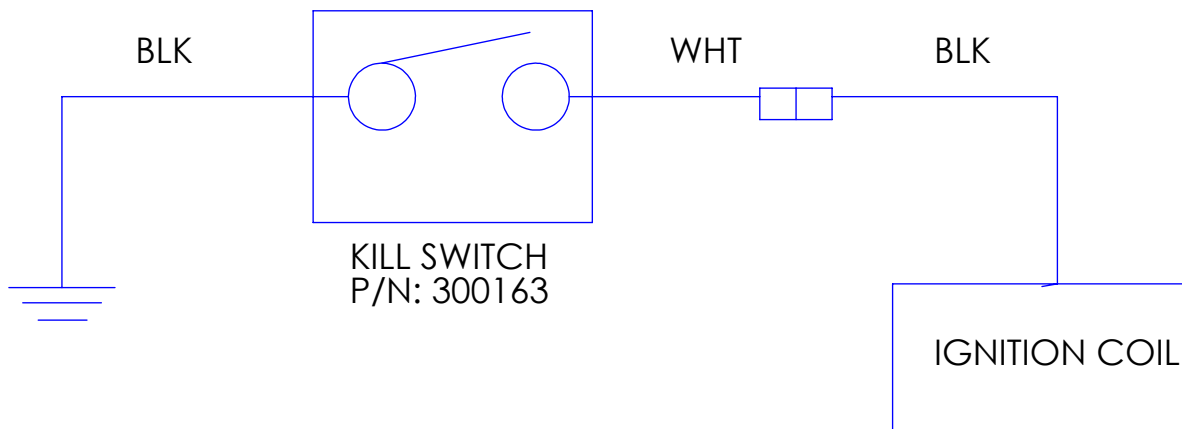
By Stonekor LLC

KILL SWITCH ASSEMBLY
200130

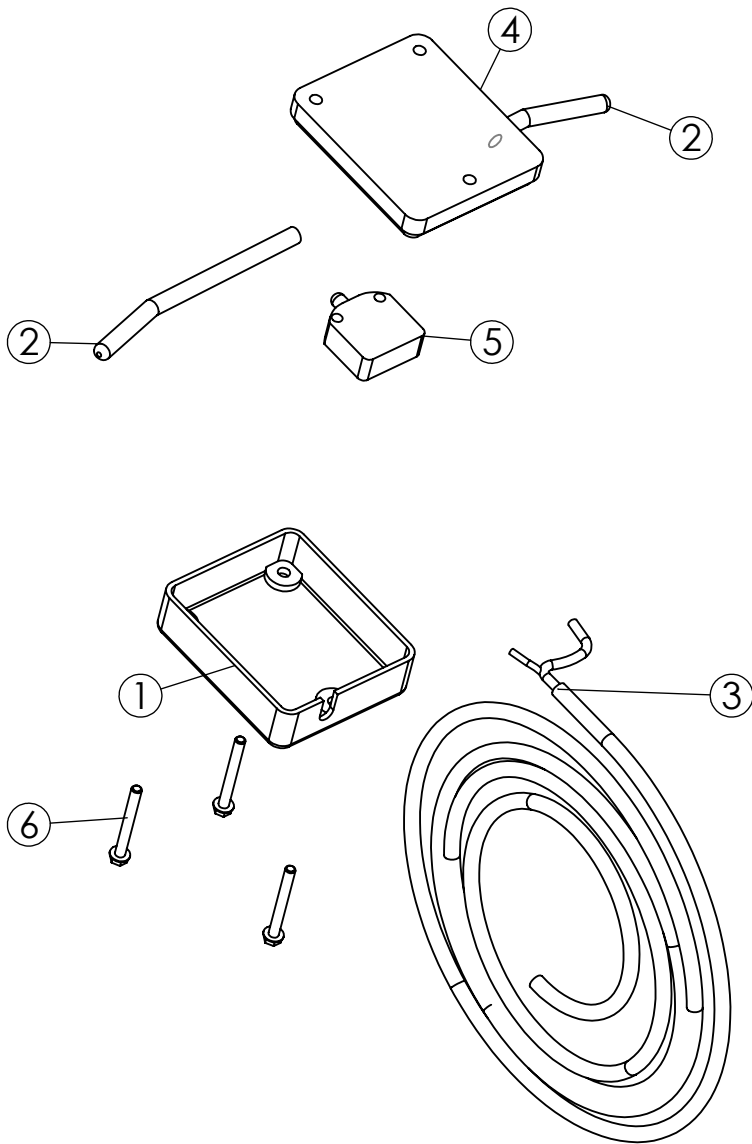


BLK = BLACK
WHT = WHITE

 = CONNECTOR



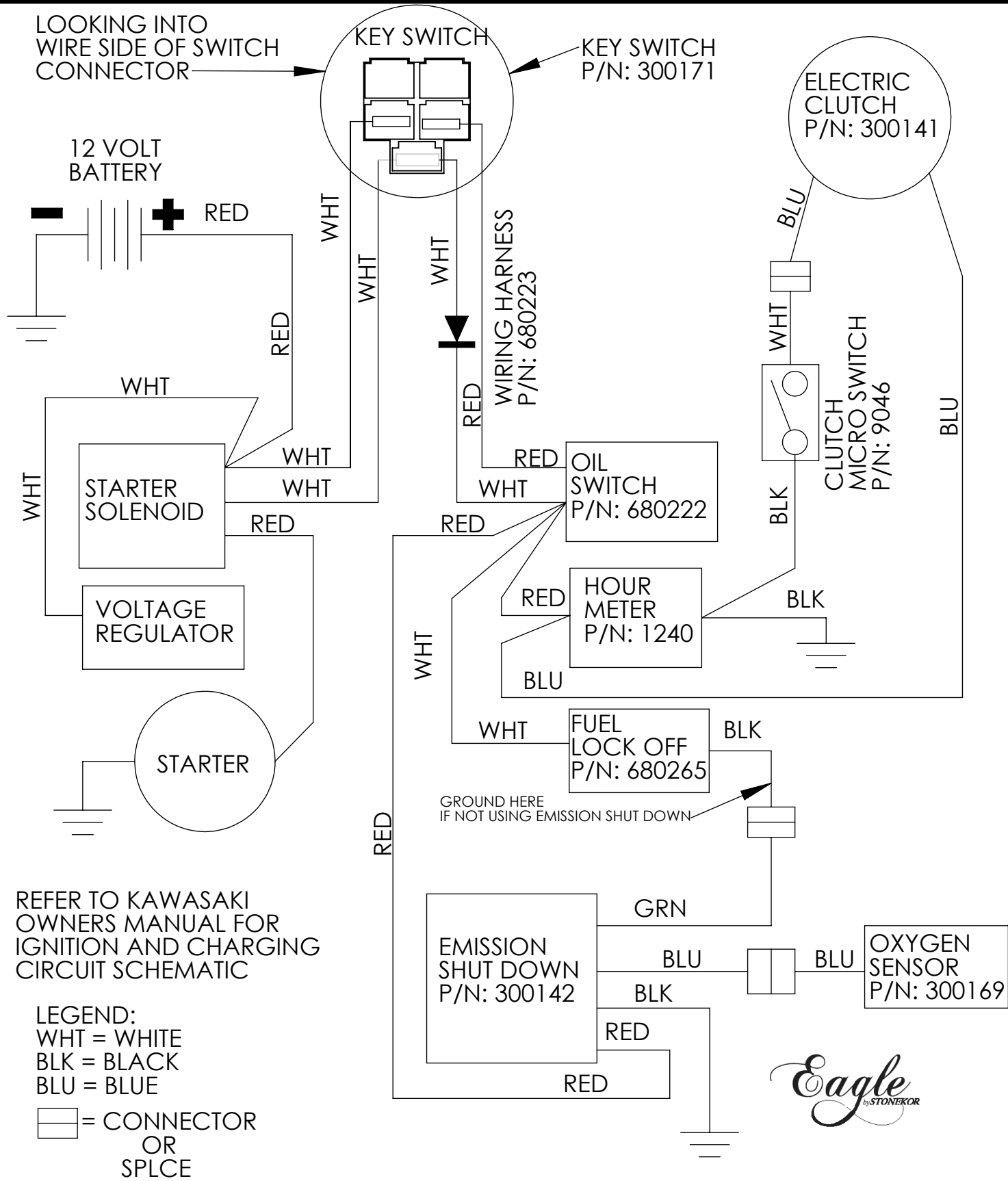
KILL SWITCH



KILL SWITCH

ITEM NO.	PART NUMBER	DESCRIPTION	QTY.
1	680456	CLUTCH HOUSING TOP	1
2	602675	ARM & SPRINGS (1 PAIR)	
3	9039	CLUTCH SWITCH WIRE	1
4	680454	CLUTCH HOUSING BOTTOM	1
5	300163	SWITCH, KILL ONLY	1
6	200911	8 x 1-1/2 Self Tapping TEK	3
.	300140	KILL SWITCH COMPLETE	

WIRE HARNESS SCHEMATIC KAWASAKI 17 HP SIGNATURE SERIES AND DUST CONTROL WITH OPTIONAL ELECTRIC CLUTCH AND EMISSION SHUT DOWN



REFER TO KAWASAKI OWNERS MANUAL FOR IGNITION AND CHARGING CIRCUIT SCHEMATIC



