

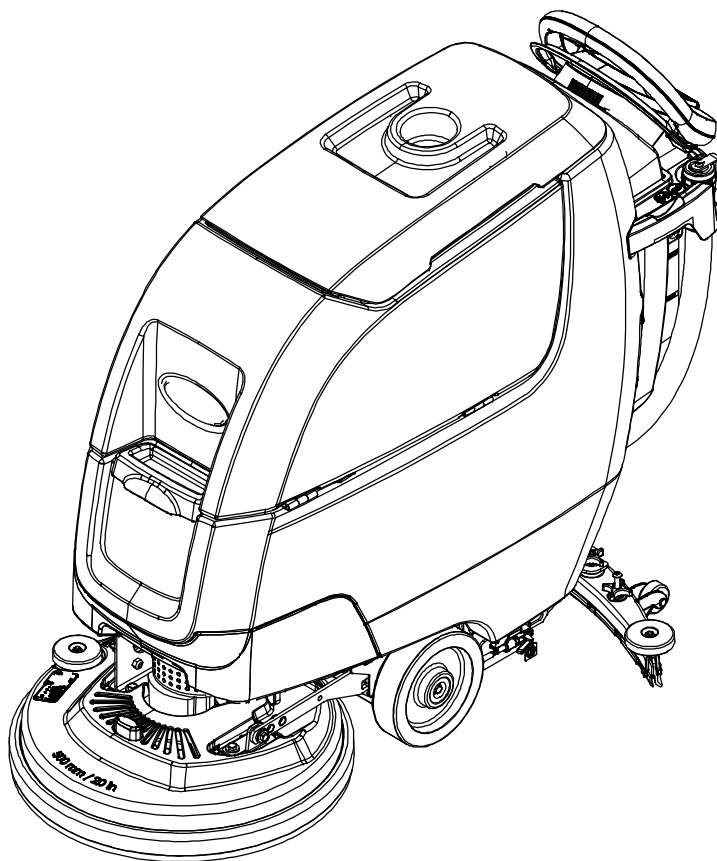
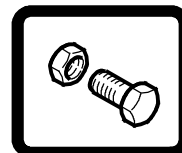


SPEED SCRUB® 300

Hygenic® Fully Cleanable Recovery Tank
TennantTrue® Parts

WALK-BEHIND FLOOR SCRUBBER
(S/N 10000000- 20000000)

PARTS MANUAL

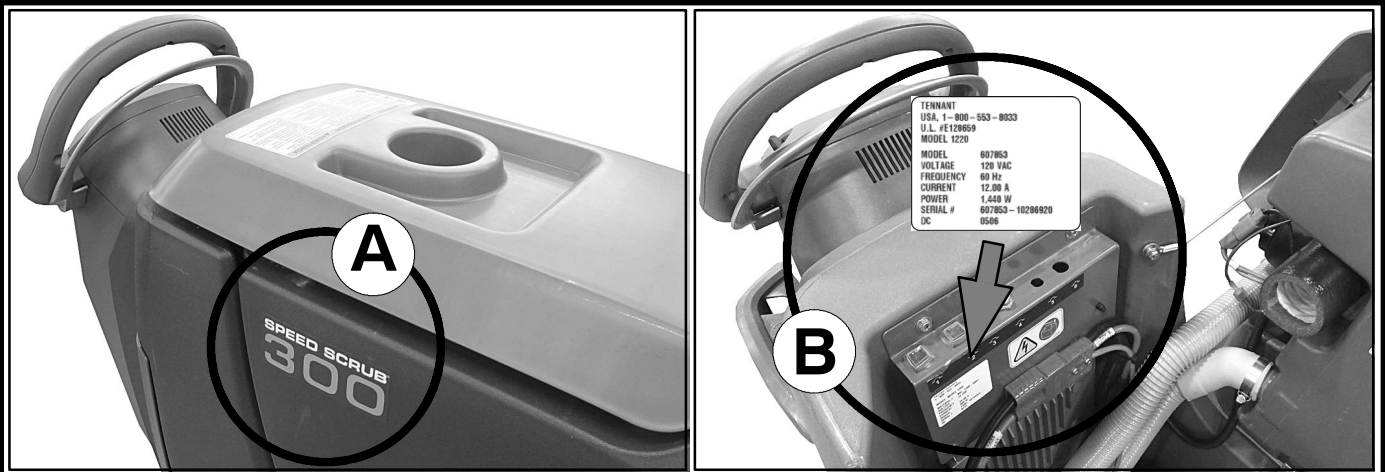


For the latest Parts manuals and other
language Operator manuals, visit:

www.nobles.com/manuals

9014511
Rev. 11 (11-2022)





Ref	Part No.	Serial Number	Description	Qty.
1	82681	(000000-)	Bracket W/dt, Lpg Mount	1
▽ 2	63810	(000000-)	Latch Assy, Lpg Tank Mtg, W/Nut	4
▲ 3	51839	(000000-)	Nut Adjustable, Lpg Tank Mtg	2
4	49263	(000000-)	Tie, Cable	3
(D)	82556	(000000- 001039)	Bracket, Vaporizer	1
	54930	(000000-)	Vaporizer, LPG	1

HOW TO ORDER PARTS - See diagram above

Only use TENNANT Company supplied or equivalent parts. Parts and supplies may be ordered online, by phone, by fax or by mail.

Follow the steps below to ensure prompt delivery.

1. (A) Identify the machine model.
2. (B) Identify the machine serial number from the data label.
3. (C) Ensure the proper serial number is used from the parts list.
4. Identify the part number and quantity.
Do not order by page or reference numbers.
5. Provide your name, company name, customer ID number, billing and shipping address, phone number and purchase order number.
6. Provide detail shipping instructions.

- (D) ▽ - identifies an assembly
▲ - identifies parts included in assembly

Please fill out at time of installation for future reference.

Model No. - _____

Serial No. - _____

Machine Options - _____

Sales Rep. - _____

Sales Rep. phone no. - _____

Customer ID Number - _____

Installation Date - _____

Tennant Company

10400 Clean Street
Eden Prairie, MN 55344-2650 USA
Phone: (800) 553-8033

www.nobles.com

Specifications and parts are subject to change without notice.

Copyright © 2015 - 2022 TENNANT Company, Printed in U.S.A.

STANDARD PARTS

GENERAL RECOMMENDED MAINTENANCE	
ITEMS	5
BRUSHES AND PAD DRIVER GROUP, 43CM DISK 3- LUG HUB	8
BRUSHES AND PAD DRIVER GROUP, 43CM DISK MAGNETIC HUB	10
BRUSHES AND PAD DRIVER GROUP, 50CM DISK 3- LUG HUB	12
BRUSHES AND PAD DRIVER GROUP, 50CM DISK MAGNETIC HUB	14
BRUSHES AND PAD DRIVER GROUP, 60CM DUAL DISK 3- LUG HUB	16
BRUSHES AND PAD DRIVER GROUP, 60CM DUAL DISK MAGNETIC HUB	18
BRUSHES GROUP, 50CM CYLINDRICAL	20
PAD GROUP, 50CM ORBITAL	21
SCRUB HEAD GROUP, 43CM DISK, 3- LUG HUB	22
SCRUB HEAD GROUP, 43CM DISK, MAGNETIC HUB	24
SCRUB HEAD GROUP, 50CM DISK, 3- LUG HUB	26
SCRUB HEAD GROUP, 50CM DISK, MAGNETIC HUB	28
SCRUB HEAD GROUP, 60CM DUAL DISK, 3- LUG HUB	30
SCRUB HEAD GROUP, 60CM DUAL DISK, 3- LUG HUB - CONT'D	32
SCRUB HEAD GROUP, 60CM DUAL DISK, MAGNETIC HUB	34
SCRUB HEAD GROUP, 60CM DUAL DISK, MAGNETIC HUB - CONT'D	36
SCRUB HEAD GROUP, 50CM CYLINDRICAL ..	38
SCRUB HEAD GROUP, 50CM CYLINDRICAL - CONT'D	40
SCRUB HEAD GROUP, 50CM ORBITAL	42
RECOVERY TANK GROUP, BASE MODEL	44
RECOVERY TANK FILTER AND HOSE GROUP, PINCH CUFF SCREW CAP	46
RECOVERY TANK FILTER AND HOSE GROUP, STANDARD SCREW CAP	48

RECOVERY TANK FILTER AND HOSE GROUP, CONTROL VALVE	50
SOLUTION TANK GROUP	52
FRAME GROUP, PROPEL MODEL	54
FRAME GROUP, PUSH MODEL	56
MANUAL DOWN PRESSURE GROUP	58
SINGLE DOWN PRESSURE GROUP	60
SOLUTION GROUP, BASE MODEL (S/N 11009738 -) (NEW BARB CONNECTOR STYLE)	62
SOLUTION GROUP, BASE MODEL (S/N 10978344 - 11009737) (NEW BARB CONNECTOR STYLE)	64
SOLUTION GROUP, BASE MODEL (ORIGINAL PUSH QUICK CONNECTOR STYLE)	66
SOLUTION GROUP, BASE MODEL ec- H2O (S/N 11009738 -) (NEW BARB CONNECTOR STYLE)	68
SOLUTION GROUP, BASE MODEL ec- H2O (S/N 11009738 -) - CONT'D (NEW BARB CONNECTOR STYLE)	70
SOLUTION GROUP, BASE MODEL ec- H2O (S/N 10978344 - 11009737) (NEW BARB CONNECTOR STYLE)	72
SOLUTION GROUP, BASE MODEL ec- H2O (S/N 10978344 - 11009737) - CONT'D (NEW BARB CONNECTOR STYLE)	74
SOLUTION GROUP, BASE MODEL ec- H2O (ORIGINAL PUSH QUICK CONNECTOR STYLE)	76
ELECTRICAL COMPONENTS GROUP, BASE MODEL	78
LOWER CONSOLE GROUP, ON- BOARD CHARGER	80
LOWER CONSOLE GROUP, OFF- BOARD CHARGER	82
HANDLE GROUP, BASE PROPEL MODEL	84
HANDLE GROUP, BASE PUSH MODEL	86
SHROUD GROUP, DISK AND ORBITAL HEAD .	88
SHROUD GROUP, CYLINDRICAL HEAD	90

TABLE OF CONTENTS

STANDARD PARTS - Cont'd

SCRUB HEAD LIFT GROUP, 43CM DISK MODEL	92
SCRUB HEAD LIFT GROUP, 50CM DISK MODEL	94
SCRUB HEAD LIFT GROUP, 60CM DUAL DISK MODEL	96
SCRUB HEAD LIFT GROUP, 50CM CYLINDRICAL MODEL	98
SCRUB HEAD LIFT GROUP, 50CM ORBITAL MODEL	100
SQUEEGEE ASSEMBLY, 500MM / 20IN	102
SQUEEGEE LIFT GROUP	104
BATTERY CABLE GROUP	106
BATTERY GROUP, 105AH C20 WET	108
BATTERY GROUP, 130AH C20 WET	109
BATTERY GROUP, 150AH C20 WET	110
BATTERY GROUP, 140AH C20 AGM	111
LABEL GROUP	112
LABEL GROUP - CONT'D	114
ELECTRICAL DIAGRAM, PROPEL (S/N 10891949 -)	116
ELECTRICAL DIAGRAM, PROPEL (S/N 10000000 - 10891948)	119
ELECTRICAL DIAGRAM, PUSH (S/N 10891710 -)	122
ELECTRICAL DIAGRAM, PUSH (S/N 10000000 - 10891709)	125
ELECTRICAL HARNESS, MAIN PROPEL (S/N 10891949 -)	128
ELECTRICAL HARNESS, MAIN PROPEL (S/N 10822349 - 10891948)	132
ELECTRICAL HARNESS, MAIN PROPEL (S/N 10000000 - 10822348)	136
ELECTRICAL HARNESS, MAIN PUSH (S/N 10891710 -)	140
ELECTRICAL HARNESS, MAIN PUSH (S/N 10000000 - 10825201)	148
ELECTRICAL HARNESS, OPERATOR PROPEL	152
ELECTRICAL HARNESS, OPERATOR PUSH ..	153
ELECTRICAL HARNESS, BAIL SWITCH	154

OPTIONS

TELEMETRY GROUP	156
BATTERY LIFT OUT BOX KIT	158
MANUAL BATTERY WATERING SYSTEM (S/N 11028698 -)	160
HYDROLINK® BATTERY WATERING SYSTEM KIT (S/N 10000000 - 11028697)	162
PARKING BRAKE GROUP	164
DOCUMENTATION GROUP (ONLINE ONLY) ...	165

BREAKDOWNS

ec-H2O NANOCLEAN MODULE BREAKDOWN 9020643, 9021553 (S/N 10998060 -) ...	166
ec-H2O NANOCLEAN MODULE BREAKDOWN 9011810 (S/N 10000000 - 10998059)	168
ORBITAL HEAD ECCENTRIC DRIVE BREAKDOWN	170

RECOMMENDED MAINTENANCE ITEMS

GENERAL RECOMMENDED MAINTENANCE ITEMS

Part No.	Serial Number	Description	Qty.
1016763	(10000000- 20000000)	Brush Assy, Disk, Scb, 17.0d, Abr (3- Lug)	1
1016764	(10000000- 20000000)	Brush Assy, Disk, Scb, 17.0d, Nyl (3- Lug)	1
1016765	(10000000- 20000000)	Brush Assy, Disk, Scb, 17.0d, Pyp (3- Lug)	1
1213034	(10000000- 20000000)	Brush Assy, Disk, Scb, 43cm, Mag, Nyl	1
1213035	(10000000- 20000000)	Brush Assy, Disk, Scb, 43cm, Mag, Pyp	1
1213037	(10000000- 20000000)	Brush Assy, Disk, Scb, 43cm, Mag, Ab	1
1243350	(10000000- 20000000)	Pad, Polish, 17.0d, White [1pick=1ctn]	1
1243349	(10000000- 20000000)	Pad, Buff, 17.0d, Red [1pick=1ctn]	1
1243348	(10000000- 20000000)	Pad, Scb, 17.0d, Blu [1pick=1ctn]	1
1243664	(10000000- 20000000)	Pad, Strip, 17.0d Brown [1pick=1ctn]	1
1243663	(10000000- 20000000)	Pad, Strip, 17.0d Blk[Hi Prod1pick=1ctn]	1
1243669	(10000000- 20000000)	Pad, Surf Prep, 17.0d Maroon[1pick=1ctn]	1
1240391	(10000000- 20000000)	Pad, Polish, 17.0d, Yel [1pick=1ctn]	1
1016805	(10000000- 20000000)	Brush Assy, Disk, Scb, 20.0d, Abr (3- Lug)	1
1016810	(10000000- 20000000)	Brush Assy, Disk, Scb, 20.0d, Nyl (3- Lug)	1
1016811	(10000000- 20000000)	Brush Assy, Disk, Scb, 20.0d, Pyp (3- Lug)	1
1210386	(10000000- 20000000)	Brush Assy, Disk, Scb, 50cm, Mag, Nyl	1
1213032	(10000000- 20000000)	Brush Assy, Disk, Scb, 50cm, Mag, Pyp	1
1213033	(10000000- 20000000)	Brush Assy, Disk, Scb, 50cm, Mag, Ab	1
32505	(10000000- 20000000)	Washer, Flat, 92b 156d 2.6l, Pad Driver	1
1243338	(10000000- 20000000)	Pad, Polish, 20.0d, White [1pick=1ctn]	1
1243339	(10000000- 20000000)	Pad, Buff, 20.0d, Red [1pick=1ctn]	1
1243340	(10000000- 20000000)	Pad, Scb, 20.0d, Blu [1pick=1ctn]	1
1243566	(10000000- 20000000)	Pad, Stripping 20.0d, Brn [1pick=1ctn]	1
1243661	(10000000- 20000000)	Pad, Strip, 20.0d Blk[Hi Prod1pick=1ctn]	1
1243670	(10000000- 20000000)	Pad, Surf Prep, 20.0d Maroon[1pick=1ctn]	1
1240393	(10000000- 20000000)	Pad, Polish, 20.0d, Yel [1pick=1ctn]	1
1056306	(10000000- 20000000)	Brush Assy, Disk, Scb, 12.0d, 3- Lug, Nyl	2
1056313	(10000000- 20000000)	Brush Assy, Disk, Scb, 12.0d, 3- Lug, Pyp	2
1063297	(10000000- 20000000)	Brush Assy, Disk, Scb, 12.0d, 3- Lug, Abr	2
1210136	(10000000- 20000000)	Brush Assy, Disk, Scb, 30cm, Mag, Nyl	2
1213040	(10000000- 20000000)	Brush Assy, Disk, Scb, 30cm, Mag, Pyp	2
1213041	(10000000- 20000000)	Brush Assy, Disk, Scb, 30cm, Mag, Ab	2
1243345	(10000000- 20000000)	Pad, Polish, 12.0d, White [1pick=1ctn]	2
1243346	(10000000- 20000000)	Pad, Buff, 12.0d, Red [1pick=1ctn]	2
1243347	(10000000- 20000000)	Pad, Scb, 12.0d, Blu [1pick=1ctn]	2
1243662	(10000000- 20000000)	Pad, Strip, 12.0d Brown [1pick=1ctn]	2
1243671	(10000000- 20000000)	Pad, Strip, 12.0d Blk[Hi Prod1pick=1ctn]	2
1243665	(10000000- 20000000)	Pad, Surf Prep, 12.0d Maroon[1pick=1ctn]	2
1240353	(10000000- 20000000)	Pad, Polish, 12.0d, Yel [1pick=1ctn]	2
1209188	(10000000- 20000000)	Brush, Scb, 21l, 20sr, Nyl (Cylindrical Model)	2
1212762	(10000000- 20000000)	Brush, Scb, 21l, 20sr, Pyp (Cylindrical Model)	2
1243351	(10000000- 20000000)	Pad, Polish, 20 X 14, White [1pick=1ctn] (Orbital Model)	1
1243352	(10000000- 20000000)	Pad, Buff, 20 X 14, Red [1pick=1ctn] (Orbital Model)	1
1243353	(10000000- 20000000)	Pad, Scb, 20 X 14, Blu [1pick=1ctn] (Orbital Model)	1
1243672	(10000000- 20000000)	Pad, Surf Prep, 20x14 Maroon[1pick=1ctn](Orbital Model)	1
1074740	(10000000- 20000000)	Pad, Scb, 14 X 20, Green [1pick=1ctn] (Orbital Model)	1
1075562	(10000000- 20000000)	Pad, Stripper, 20 X 14, Blk [1pick=1ctn] (Orbital Model)	1
1228000	(10000000- 20000000)	Pad, Melamine, 14" X 20" [Case Of 5] (Orbital Model)	1
1240342	(10000000- 20000000)	Pad, Polish, 20 X 14, Yel [1pick=1ctn] (Orbital Model)	1
1217830	(10000000- 20000000)	Pad, Backer, 20 X 14 (Orbital Model)	1

RECOMMENDED MAINTENANCE ITEMS

GENERAL RECOMMENDED MAINTENANCE ITEMS

	Part No.	Serial Number	Description	Qty.
	1223582	(10000000- 20000000)	Wheel, Scrbr, 8.00d, W/ Taper (Propel Model)	2
	1223724	(10000000- 20000000)	Wheel, Scrbr, 8.00d, W/ Brg (Push Model)	2
	1212422	(10000000- 20000000)	Caster, Swivel [Wicke 224051]	1
∇	1211537	(10000000- 20000000)	Filter, In- Line, Pf06/Pf06 080m 2.6l Epd	1
▲	1218885	(10000000- 20000000)	Gasket [Epdm, F/1211537]	1
▲	1218883	(10000000- 20000000)	Screen, Fltr, 80 Mesh, Ss [W/ Cage]	1
▲	613991	(10000000- 20000000)	Bowl, Clr, Short, F/1005302	1
∇	9014172	(10000000- 20000000)	Squeegee Kit, Linatex, Am [T300/E/Ss300]	1
▲	1010560	(10000000- 20000000)	Wheel, Bmpr, 80d X 25w, Non- Marking	2
▲	630477	(10000000- 20000000)	Wheel, Pyu, 02.0d 0.38w, Gray	2
▲∇	9015731	(10000000- 20000000)	Blade Kit, 500mm, Linatex (Standard)	1
▲▲	1203953	(10000000- 20000000)	Blade, Sqge, Rear, 836l, Linatex[500mm] (Standard)	1
▲▲	1203954	(10000000- 20000000)	Blade, Sqge, Front, 788l, Linatex[500mm] (Standard)	1
∇	9015732	(10000000- 20000000)	Blade Kit, 500mm, Urethane (Option)	1
▲	1215609	(10000000- 20000000)	Blade, Sqge, Rear, 836l, Urethane[500mm] (Option)	1
▲	1215611	(10000000- 20000000)	Blade, Sqge, Front, 788l, Urethane[500mm] (Option)	1
∇	9015730	(10000000- 20000000)	Blade Kit, 500mm, Gum (Option)	1
▲	1215610	(10000000- 20000000)	Blade, Sqge, Rear, 836l, Gum[500mm] (Option)	1
▲	1215612	(10000000- 20000000)	Blade, Sqge, Front, 788l, Gum[500mm] (Option)	1
	1055019	(10000000- 20000000)	Bumper, Head, 43cm, W/ Bristle Skirt, Im	1
	1055025	(10000000- 20000000)	Bumper, Head, 50cm, W/ Bristle Skirt, Im	1
	1072656	(10000000- 20000000)	Bumper, Head, 60cm, Bristle Skirt	1
	1010560	(10000000- 20000000)	Wheel, Bmpr, 80d X 25w, Non- Marking (Disk Heads)	1
∇	9021553	(SEP2022- 20000000)	Module Kit, Replmt [Ec- H2o, B 02] (Includes ec- H2O NanoClean Cartridge)	1
∇	9020643	(10998060- AUG2022)	Module Kit, Replmt [Ec- H2o, B 02] (Rplcd By 9021553)	1
∇	9011810	(10000000- 10998059)	Module Kit, Replmt [Ec- H2o, B 02] (Rplcd By 9021553)	1
▲	9013646	(10000000- 20000000)	Cartridge, Ec- H2o Nanoclean Wcm, 270ml	1
∇	1228117	(10978979- 20000000)	Motor, Ele, 24vdc 150rpm 0.68hp, 17mm (43CM Disk)	1
∇	1226976	(10834063- 10978978)	Motor, Ele, 24vdc 0215rpm 650w, 17mm (43CM Disk)	1
▲	1227273	(10834063- 20000000)	Vr, Brush Kit, Motor, Ele (4pc)	1
∇	1210703	(10000000- 10834062)	Motor, Ele, 24vdc 0200rpm 1.00hp, 17mm (43CM Disk) (Replaced By 9015159)	1
▲	222606	(10000000- 10834062)	Vr, Brush Kit, Motor, Ele [lp] (4Pc) (For Imperial Motor - Frame #P56SG681)	1
▲	1045790	(10000000- 10834062)	Brush Kit, Replmt, Carbon 24vdc[1pk=1set](4Pc) (For Sanrong Motor - Frame #56S)	1
∇	1228117	(10978979- 20000000)	Motor, Ele, 24vdc 150rpm 0.68hp, 17mm (50CM Disk)	1
∇	1226976	(10834387- 10978978)	Motor, Ele, 24vdc 0215rpm 650w, 17mm (50CM Disk)	1
▲	1227273	(10834387- 20000000)	Vr, Brush Kit, Motor, Ele (4pc)	1
∇	1210703	(10000000- 10834386)	Motor, Ele, 24vdc 0200rpm 1.00hp, 17mm (50CM Disk) (Replaced By 9015159)	1
▲	222606	(10000000- 10834386)	Vr, Brush Kit, Motor, Ele [lp] (4Pc) (For Imperial Motor - Frame #P56SG681)	1
▲	1045790	(10000000- 10834386)	Brush Kit, Replmt, Carbon 24vdc[1pk=1set](4Pc) (For Sanrong Motor - Frame #56S)	1
∇	1227280	(10835154- 20000000)	Motor, 24vdc, 2000rpm, 7/8hp (60CM Disk Head)	1
▲	1059370	(10000000- 20000000)	Brush, Motor, Replmt [Bag Of 4]	1
∇	1210212	(10000000- 10835153)	Motor, 24vdc, 2000rpm, 7/8hp, Us (60CM Disk Head) (Replaced By 9015160)	1
▲	1059370	(10000000- 20000000)	Brush, Motor, Replmt [Bag Of 4]	2
∇	1210202	(10000000- 20000000)	Motor, Ele, 24vdc [Vw Cyl] (Cylindrical Head)	1
▲	1059370	(10000000- 20000000)	Brush, Motor, Replmt [Bag Of 4]	1

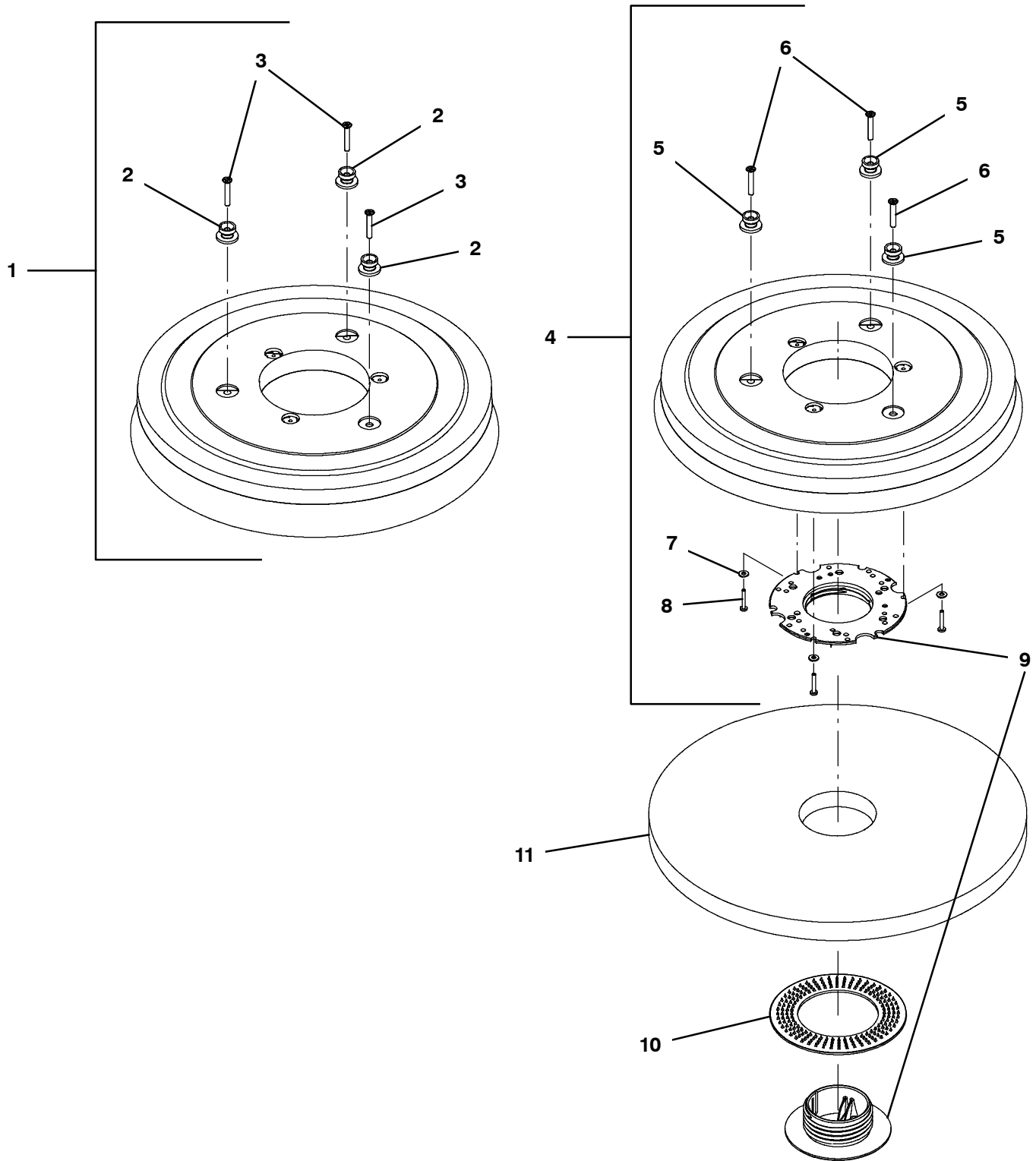
RECOMMENDED MAINTENANCE ITEMS

GENERAL RECOMMENDED MAINTENANCE ITEMS

Part No.	Serial Number	Description	Qty.
▽	1226909	(10827598- 20000000) Motor, Ele, 24vdc, 2200rpm, .6hp, 22mm (Orbital Head)	1
▲	1059370	(10000000- 20000000) Brush, Motor, Replmt [Bag Of 4]	1
▽	1212669	(10000000- 10827597) Motor, Ele, 24vdc, 2200rpm, .6hp, 22mm (Orbital Head) (Replaced By 9015162)	1
▲	1059370	(10000000- 20000000) Brush, Motor, Replmt [Bag Of 4]	1
	1055305	(10000000- 20000000) Belt, Drive, 6pj, Ej139 [T3] (60CM Disk Head)	1
▽	9014166	(10000000- 20000000) Kit, Belt, Motor (Includes Belt & Installation Tool) (Cylindrical Head)	1
▲	1209587	(10000000- 20000000) Belt, Motor [Vw Single Motor]	1
▲	1213132	(10000000- 20000000) Tool, Installation, Belt	1
	1215666	(10000000- 20000000) Skirt, Side, Cyl, Floating (Cylindrical Head)	2
	630477	(10000000- 20000000) Wheel, Pyu, 02.0d 0.38w, Gray (Cylindrical Head)	4
▽	1219312	(10000000- 20000000) Fan, Vacuum, 5.7d, 024vdc, 2 Stage	1
▲	372883	(10000000- 20000000) Vr, Brush Kit, Motor, Ele (1 Pkg = 2 Pcs)	1
▽	1216386	(10000000- 20000000) Motor, Transaxle, 24vdc, Replmt [UI, Ce]	1
▲	1212351	(10000000- 20000000) Brush Kit, Carbon, Transaxle, UI (1 Kit = 4 Pcs)	1
▽	9014872	(10785189- 20000000) Kit, Deflector, Tray, Debris, Cl, [T300]	1
▲	1225187	(10785189- 20000000) Seal, Rbr, Clsd, 12.7 Th , 24.0ld, 40.0Od	1
▲	1207357	(10000000- 20000000) Tray, Debris, Tank, Recvy [T300]	1
	9014905	(10786729- 20000000) Cover Kit, Circuitbreaker, Ci[T300/E/Ss]	1
	630052	(10000000- 20000000) Float, Shut- Off, (2)Ball, 1.75d	1
▽	1251388	(10988543- 20000000) Hose Assy, Drain, 1.5id X 13.0l [Pvc] (Black - Standard)	1
▲	1218955	(10000000- 20000000) Cap, Drain Assy [Black]	1
▽	1213010	(10000000- 10988542) Hose Assy, Drain, 1.5d 017l 1.5/Cap[Pvc] (Black - Standard) (Replaced By 1251388)	1
▲	1218955	(10000000- 20000000) Cap, Drain Assy [Black]	1
▽	1246719	(10949064- 10988542) Hose Assy, Drain, 1.5id X 21.9l [Pu] (Gray - Option) (No Longer Available - Replaced By Black Pinch Cuff Screw Cap 1251388)	1
▲	1219134	(10000000- 10988542) Cap, Drain Assy [Gray]	1
▽	1213008	(10000000- 10949063) Hose Assy, Drain, 1.5d 025l 1.5/Cap [Pu] (Gray - Option) (No Longer Available - Replaced By Black Pinch Cuff Screw Cap 1251388)	1
▲	1219134	(10000000- 10988542) Cap, Drain Assy [Gray]	1
▽	9014171	(10000000- 10949063) Hose Assy, With Valve (Gray - Option) (No Longer Available - Replaced By Black Pinch Cuff Screw Cap 1251388)	1
▲	1051986	(10000000- 10949063) Valve, Ball, 2way, 1.0id Pvc, W/Handle (No Longer Available - Replaced By Black Pinch Cuff Screw Cap 1251388)	1
▲	1222591	(10000000- 10949063) Hose Assy, 45cuff, 1.5d 021l 1.5/1.5[Pu] (No Longer Available - Replaced By Black Pinch Cuff Screw Cap 1251388)	1
	1211220	(10000000- 20000000) Hose Assy, W/2cuff, 1.5d 022l 1.5/1.5[Pvc] (Black - Standard)	1
	1204663	(10000000- 10988542) Hose Assy, W/2cuff, 1.5d 031l 1.5/1.5[Pu] (Gray - Option) (No Longer Available - Replaced By 1211220 - Black PVC Standard)	1
	1210472	(10000000- 20000000) Seal, Afmkt, Bulb, 0.50d .13grip, 05ft (Rec Tank Lid)	1
	1046428	(10000000- 20000000) Seal, Afmkt, Rbr, Clsd, Adh, 02ft (Front Fill Cover)	1

BRUSHES AND PAD DRIVER GROUP, 43CM DISK 3- LUG HUB

355330



BRUSHES AND PAD DRIVER GROUP, 43CM DISK 3- LUG HUB

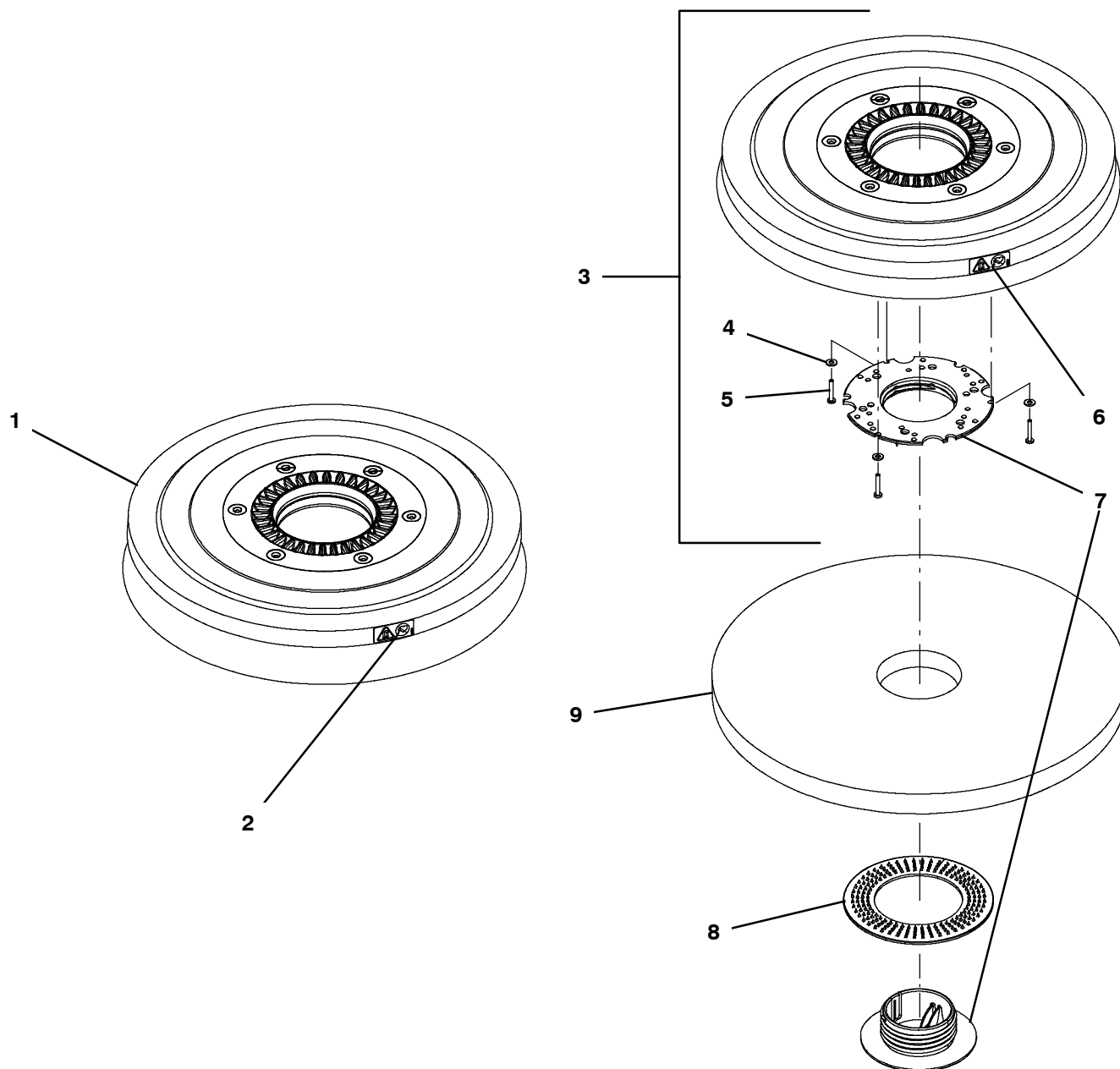
Ref.	Part No.	Serial Number	Description	Qty.
▽	1	1016763	(10000000- 20000000) Brush Assy, Disk, Scb, 17.0d, Abr	1
▽	1	1016764	(10000000- 20000000) Brush Assy, Disk, Scb, 17.0d, Nyl	1
▽	1	1016765	(10000000- 20000000) Brush Assy, Disk, Scb, 17.0d, Pyp	1
▲	2	1013018	(10000000- 20000000) Stud, Drive, Brush Pad	3
▲	3	1021316	(10000000- 20000000) Screw, Flt, Phl, M6 X 1.00 X 35, Ss	3
▽	4	1212965	(10000000- 20000000) Driver Assy, Pad, 43cm, Brush, 3 Lug	1
▲	5	1013018	(10000000- 20000000) Stud, Drive, Brush Pad	3
▲	6	1021316	(10000000- 20000000) Screw, Flt, Phl, M6 X 1.00 X 35, Ss	3
▲	7	41579	(10000000- 20000000) Washer, Flat, 08, Ss	3
▲	8	04403	(10000000- 20000000) Screw, Pan, Phl, M4 X 0.70 X 25, Nl, Ss	3
▲	9	32506	(10000000- 20000000) Device, Centering, Rh Pad Retainer	1
	10	32505	(10000000- 20000000) Washer, Flat, 92b 156d 2.6l, Pad Driver	1
	11	1243350	(10000000- 20000000) Pad, Polish, 17.0d, White [1pick=1ctn]	1
	11	1243349	(10000000- 20000000) Pad, Buff, 17.0d, Red [1pick=1ctn]	1
	11	1243348	(10000000- 20000000) Pad, Scb, 17.0d, Blu [1pick=1ctn]	1
	11	1243664	(10000000- 20000000) Pad, Strip, 17.0d Brown [1pick=1ctn]	1
	11	1243663	(10000000- 20000000) Pad, Strip, 17.0d Blk[Hi Prod1pick=1ctn]	1
	11	1243669	(10000000- 20000000) Pad, Surf Prep, 17.0d Maroon[1pick=1ctn]	1
	11	1240391	(10000000- 20000000) Pad, Polish, 17.0d, Yel [1pick=1ctn]	1

▽ ASSEMBLY

▲ INCLUDED IN ASSEMBLY

BRUSHES AND PAD DRIVER GROUP, 43CM DISK MAGNETIC HUB

355338



BRUSHES AND PAD DRIVER GROUP, 43CM DISK MAGNETIC HUB

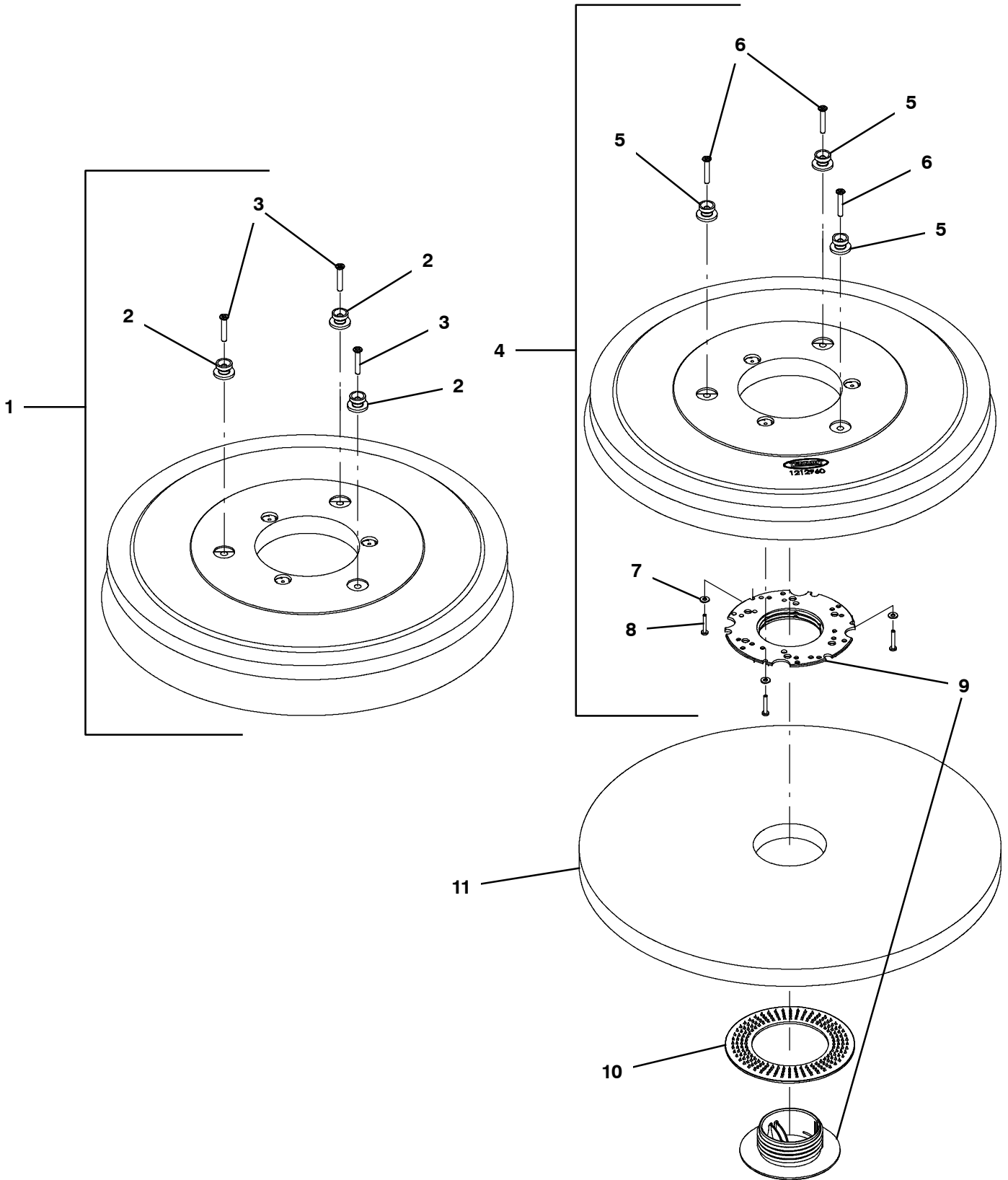
	Ref.	Part No.	Serial Number	Description	Qty.
▽	1	1213034	(10000000- 20000000)	Brush Assy, Disk, Scb, 43cm, Mag, Nyl	1
▽	1	1213035	(10000000- 20000000)	Brush Assy, Disk, Scb, 43cm, Mag, Pyp	1
▽	1	1213037	(10000000- 20000000)	Brush Assy, Disk, Scb, 43cm, Mag, Ab	1
▲	2	1218392	(10000000- 20000000)	Label, Safety, Magnet, Med	1
▽	3	1211869	(10000000- 20000000)	Driver Assy, Pad, 43cm, Brush, Magnetic	1
▲	4	41579	(10000000- 20000000)	Washer, Flat, 08, Ss	3
▲	5	1212542	(10000000- 20000000)	Screw, Pan, Phl, M4 X 0.70 X 12, NI, Ss	3
▲	6	1218392	(10000000- 20000000)	Label, Safety, Magnet, Med	1
▲	7	32506	(10000000- 20000000)	Device, Centering, Rh Pad Retainer	1
	8	32505	(10000000- 20000000)	Washer, Flat, 92b 156d 2.6l, Pad Driver	1
	9	1243350	(10000000- 20000000)	Pad, Polish, 17.0d, White [1pick=1ctn]	1
	9	1243349	(10000000- 20000000)	Pad, Buff, 17.0d, Red [1pick=1ctn]	1
	9	1243348	(10000000- 20000000)	Pad, Scb, 17.0d, Blu [1pick=1ctn]	1
	9	1243664	(10000000- 20000000)	Pad, Strip, 17.0d Brown [1pick=1ctn]	1
	9	1243663	(10000000- 20000000)	Pad, Strip, 17.0d Blk[Hi Prod1pick=1ctn]	1
	9	1243669	(10000000- 20000000)	Pad, Surf Prep, 17.0d Maroon[1pick=1ctn]	1
	9	1240391	(10000000- 20000000)	Pad, Polish, 17.0d, Yel [1pick=1ctn]	1

▽ ASSEMBLY

▲ INCLUDED IN ASSEMBLY

BRUSHES AND PAD DRIVER GROUP, 50CM DISK 3-LUG HUB

355331



BRUSHES AND PAD DRIVER GROUP, 50CM DISK 3- LUG HUB

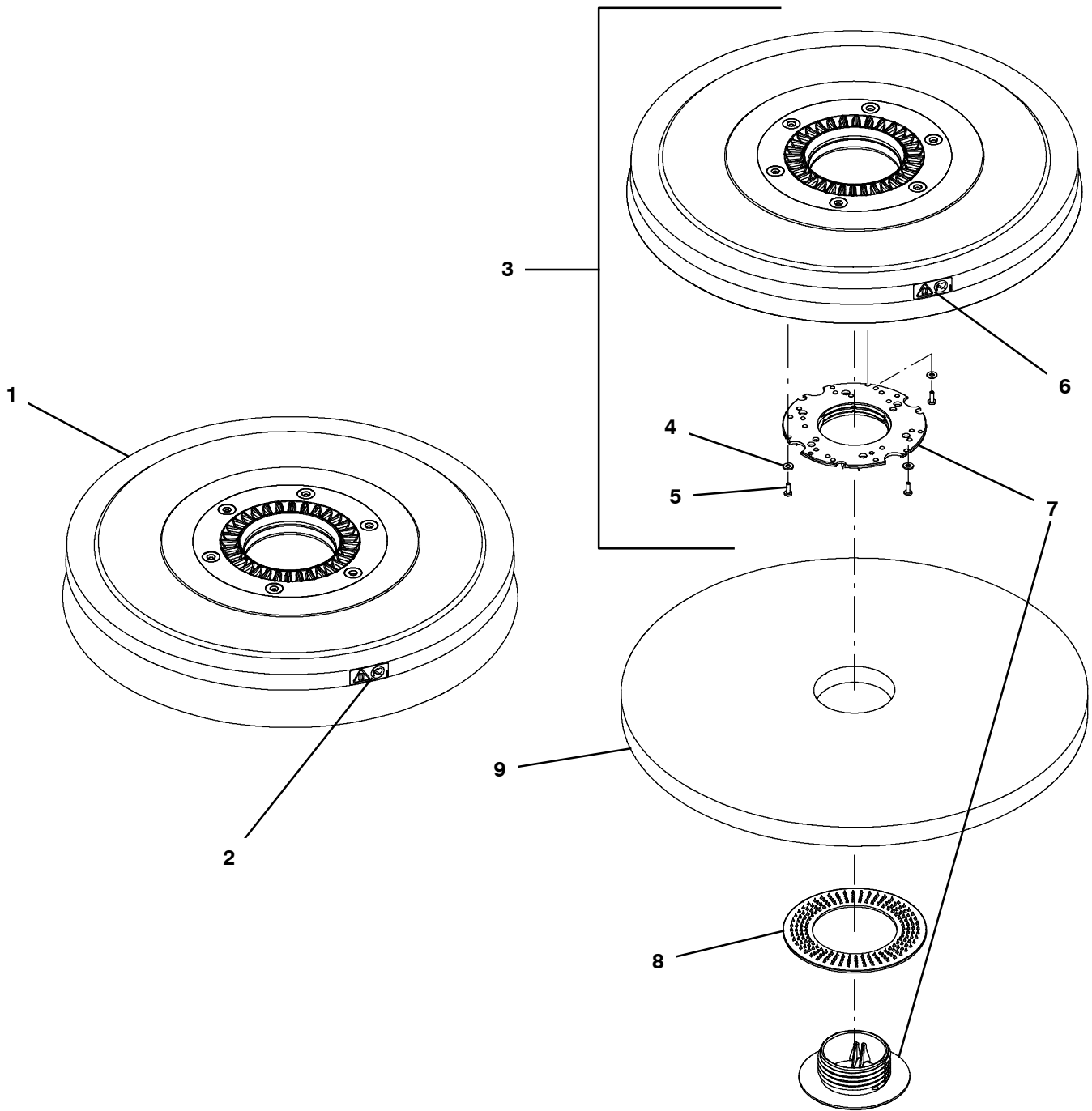
Ref.	Part No.	Serial Number	Description	Qty.
▽	1	1016805	(10000000- 20000000) Brush Assy, Disk, Scb, 20.0d, Abr	1
▽	1	1016810	(10000000- 20000000) Brush Assy, Disk, Scb, 20.0d, Nyl	1
▽	1	1016811	(10000000- 20000000) Brush Assy, Disk, Scb, 20.0d, Pyp	1
▲	2	1013018	(10000000- 20000000) Stud, Drive, Brush Pad	3
▲	3	1021316	(10000000- 20000000) Screw, Flt, Phl, M6 X 1.00 X 35, Ss	3
▽	4	1212960	(10000000- 20000000) Driver Assy, Pad, 50cm, Brush, 3 Lug	1
▲	5	1013018	(10000000- 20000000) Stud, Drive, Brush Pad	3
▲	6	1021316	(10000000- 20000000) Screw, Flt, Phl, M6 X 1.00 X 35, Ss	3
▲	7	41579	(10000000- 20000000) Washer, Flat, 08, Ss	3
▲	8	04403	(10000000- 20000000) Screw, Pan, Phl, M4 X 0.70 X 25, Nl, Ss	3
▲	9	32506	(10000000- 20000000) Device, Centering, Rh Pad Retainer	1
	10	32505	(10000000- 20000000) Washer, Flat, 92b 156d 2.6l, Pad Driver	1
	11	1243338	(10000000- 20000000) Pad, Polish, 20.0d, White [1pick=1ctn]	1
	11	1243339	(10000000- 20000000) Pad, Buff, 20.0d, Red [1pick=1ctn]	1
	11	1243340	(10000000- 20000000) Pad, Scb, 20.0d, Blu [1pick=1ctn]	1
	11	1243566	(10000000- 20000000) Pad, Stripping 20.0d, Brn [1pick=1ctn]	1
	11	1243661	(10000000- 20000000) Pad, Strip, 20.0d Blk[Hi Prod1pick=1ctn]	1
	11	1243670	(10000000- 20000000) Pad, Surf Prep, 20.0d Maroon[1pick=1ctn]	1
	11	1240393	(10000000- 20000000) Pad, Polish, 20.0d, Yel [1pick=1ctn]	1

▽ ASSEMBLY

▲ INCLUDED IN ASSEMBLY

BRUSHES AND PAD DRIVER GROUP, 50CM DISK MAGNETIC HUB

355339



BRUSHES AND PAD DRIVER GROUP, 50CM DISK MAGNETIC HUB

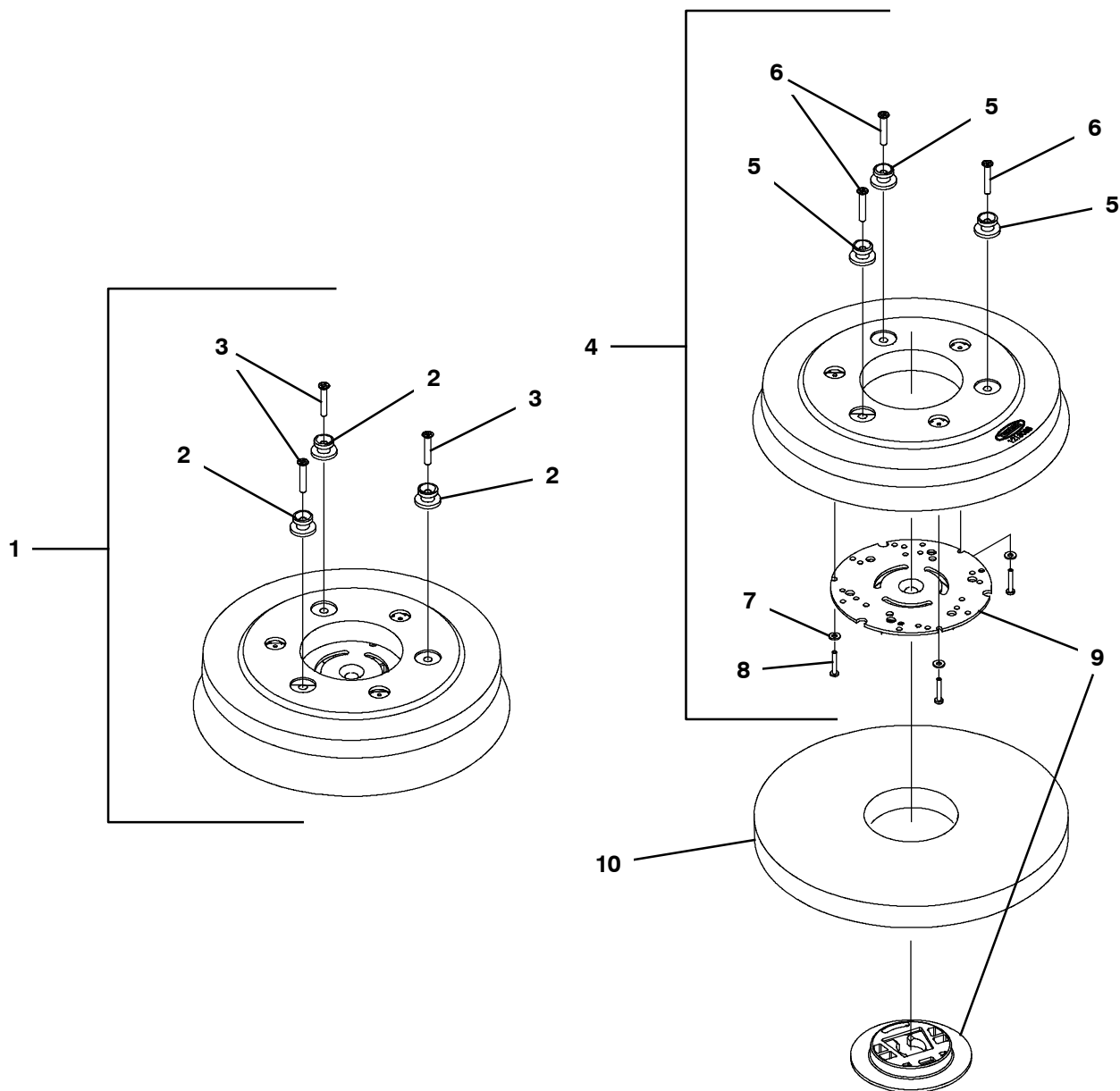
	Ref.	Part No.	Serial Number	Description	Qty.
▽	1	1210386	(10000000- 20000000)	Brush Assy, Disk, Scb, 50cm, Mag, Nyl	1
▽	1	1213032	(10000000- 20000000)	Brush Assy, Disk, Scb, 50cm, Mag, Pyp	1
▽	1	1213033	(10000000- 20000000)	Brush Assy, Disk, Scb, 50cm, Mag, Ab	1
▲	2	1218392	(10000000- 20000000)	Label, Safety, Magnet, Med	1
▽	3	1209197	(10000000- 20000000)	Driver Assy, Pad, 50cm, Brush, Magnetic	1
▲	4	41579	(10000000- 20000000)	Washer, Flat, 08, Ss	3
▲	5	1212542	(10000000- 20000000)	Screw, Pan, Phl, M4 X 0.70 X 12, NI, Ss	3
▲	6	1218392	(10000000- 20000000)	Label, Safety, Magnet, Med	1
▲	7	32506	(10000000- 20000000)	Device, Centering, Rh Pad Retainer	1
	8	32505	(10000000- 20000000)	Washer, Flat, 92b 156d 2.6l, Pad Driver	1
	9	1243338	(10000000- 20000000)	Pad, Polish, 20.0d, White [1pick=1ctn]	1
	9	1243339	(10000000- 20000000)	Pad, Buff, 20.0d, Red [1pick=1ctn]	1
	9	1243340	(10000000- 20000000)	Pad, Scb, 20.0d, Blu [1pick=1ctn]	1
	9	1243566	(10000000- 20000000)	Pad, Stripping 20.0d, Brn [1pick=1ctn]	1
	9	1243661	(10000000- 20000000)	Pad, Strip, 20.0d Blk[Hi Prod1pick=1ctn]	1
	9	1243670	(10000000- 20000000)	Pad, Surf Prep, 20.0d Maroon[1pick=1ctn]	1
	9	1240393	(10000000- 20000000)	Pad, Polish, 20.0d, Yel [1pick=1ctn]	1

▽ ASSEMBLY

▲ INCLUDED IN ASSEMBLY

BRUSHES AND PAD DRIVER GROUP, 60CM DUAL DISK 3-LUG HUB

355332



BRUSHES AND PAD DRIVER GROUP, 60CM DUAL DISK 3- LUG HUB

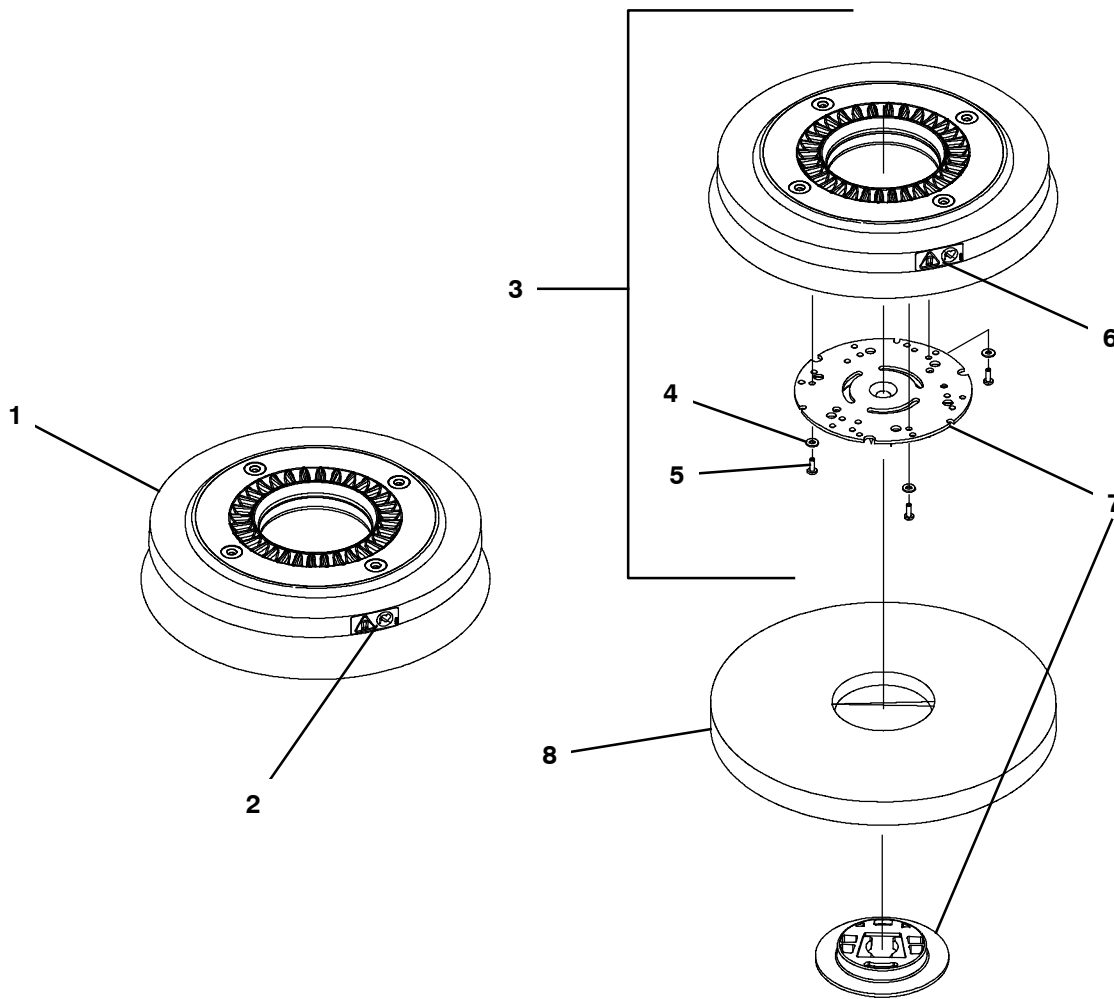
Ref.	Part No.	Serial Number	Description	Qty.
▽	1	1056306	(10000000- 20000000) Brush Assy, Disk, Scb, 12.0d, 3- Lug, Nyl	2
▽	1	1056313	(10000000- 20000000) Brush Assy, Disk, Scb, 12.0d, 3- Lug, Pyp	2
▽	1	1063297	(10000000- 20000000) Brush Assy, Disk, Scb, 12.0d, 3- Lug, Abr	2
▲	2	1055558	(10000000- 20000000) Mount, Lug, Pad- Driver [T3]	3
▲	3	1021316	(10000000- 20000000) Screw, Flt, Phl, M6 X 1.00 X 35, Ss	3
▽	4	1213038	(10000000- 20000000) Driver Assy, Pad, 30cm, Brush, 3 Lug	2
▲	5	1055558	(10000000- 20000000) Mount, Lug, Pad- Driver [T3]	3
▲	6	1021316	(10000000- 20000000) Screw, Flt, Phl, M6 X 1.00 X 35, Ss	3
▲	7	41579	(10000000- 20000000) Washer, Flat, 08, Ss	3
▲	8	04403	(10000000- 20000000) Screw, Pan, Phl, M4 X 0.70 X 25, Nl, Ss	3
▲	9	370095	(10000000- 20000000) Device, Centering, Clip On, Tl [Gf Pp]	1
	10	1243345	(10000000- 20000000) Pad, Polish, 12.0d, White [1pick=1ctn]	2
	10	1243346	(10000000- 20000000) Pad, Buff, 12.0d, Red [1pick=1ctn]	2
	10	1243347	(10000000- 20000000) Pad, Scb, 12.0d, Blu [1pick=1ctn]	2
	10	1243662	(10000000- 20000000) Pad, Strip, 12.0d Brown [1pick=1ctn]	2
	10	1243671	(10000000- 20000000) Pad, Strip, 12.0d Blk[Hi Prod1pick=1ctn]	2
	10	1243665	(10000000- 20000000) Pad, Surf Prep, 12.0d Maroon[1pick=1ctn]	2
	10	1240353	(10000000- 20000000) Pad, Polish, 12.0d, Yel [1pick=1ctn]	2

▽ ASSEMBLY

▲ INCLUDED IN ASSEMBLY

BRUSHES AND PAD DRIVER GROUP, 60CM DUAL DISK MAGNETIC HUB

355340



BRUSHES AND PAD DRIVER GROUP, 60CM DUAL DISK MAGNETIC HUB

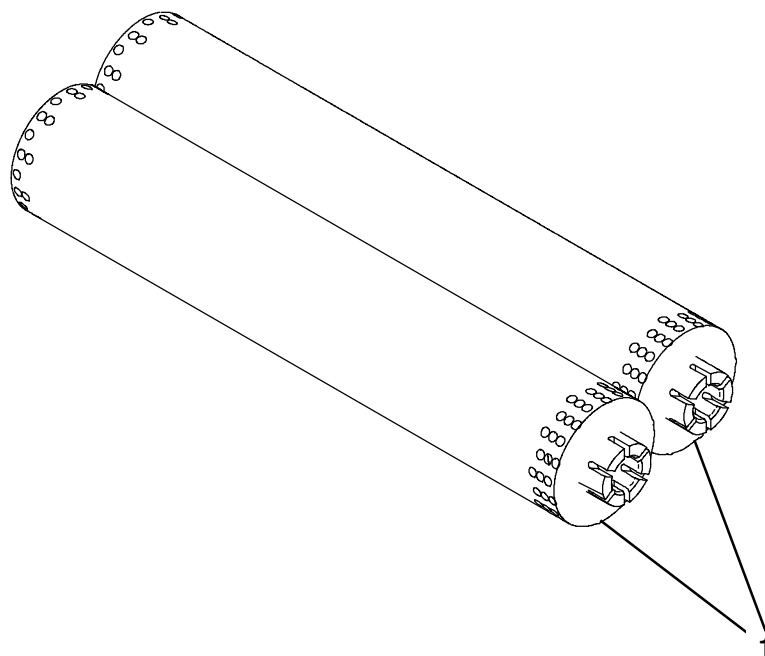
Ref.	Part No.	Serial Number	Description	Qty.
▽	1	1210136	(10000000- 20000000) Brush Assy, Disk, Scb, 30cm, Mag, Nyl	2
▽	1	1213040	(10000000- 20000000) Brush Assy, Disk, Scb, 30cm, Mag, Pyp	2
▽	1	1213041	(10000000- 20000000) Brush Assy, Disk, Scb, 30cm, Mag, Ab	2
▲	2	1218392	(10000000- 20000000) Label, Safety, Magnet, Med	1
▽	3	1209160	(10000000- 20000000) Driver Assy, Pad, 30cm, [Magnetic]	2
▲	4	41579	(10000000- 20000000) Washer, Flat, 08, Ss	3
▲	5	1212542	(10000000- 20000000) Screw, Pan, Phl, M4 X 0.70 X 12, NI, Ss	3
▲	6	1218392	(10000000- 20000000) Label, Safety, Magnet, Med	1
▲	7	370095	(10000000- 20000000) Device, Centering, Clip On, TI [Gf Pp]	1
	8	1243345	(10000000- 20000000) Pad, Polish, 12.0d, White [1pick=1ctn]	2
	8	1243346	(10000000- 20000000) Pad, Buff, 12.0d, Red [1pick=1ctn]	2
	8	1243347	(10000000- 20000000) Pad, Scb, 12.0d, Blu [1pick=1ctn]	2
	8	1243662	(10000000- 20000000) Pad, Strip, 12.0d Brown [1pick=1ctn]	2
	8	1243671	(10000000- 20000000) Pad, Strip, 12.0d Blk[Hi Prod1pick=1ctn]	2
	8	1243665	(10000000- 20000000) Pad, Surf Prep, 12.0d Maroon[1pick=1ctn]	2
	8	1240353	(10000000- 20000000) Pad, Polish, 12.0d, Yel [1pick=1ctn]	2

▽ ASSEMBLY

▲ INCLUDED IN ASSEMBLY

BRUSHES GROUP, 50CM CYLINDRICAL

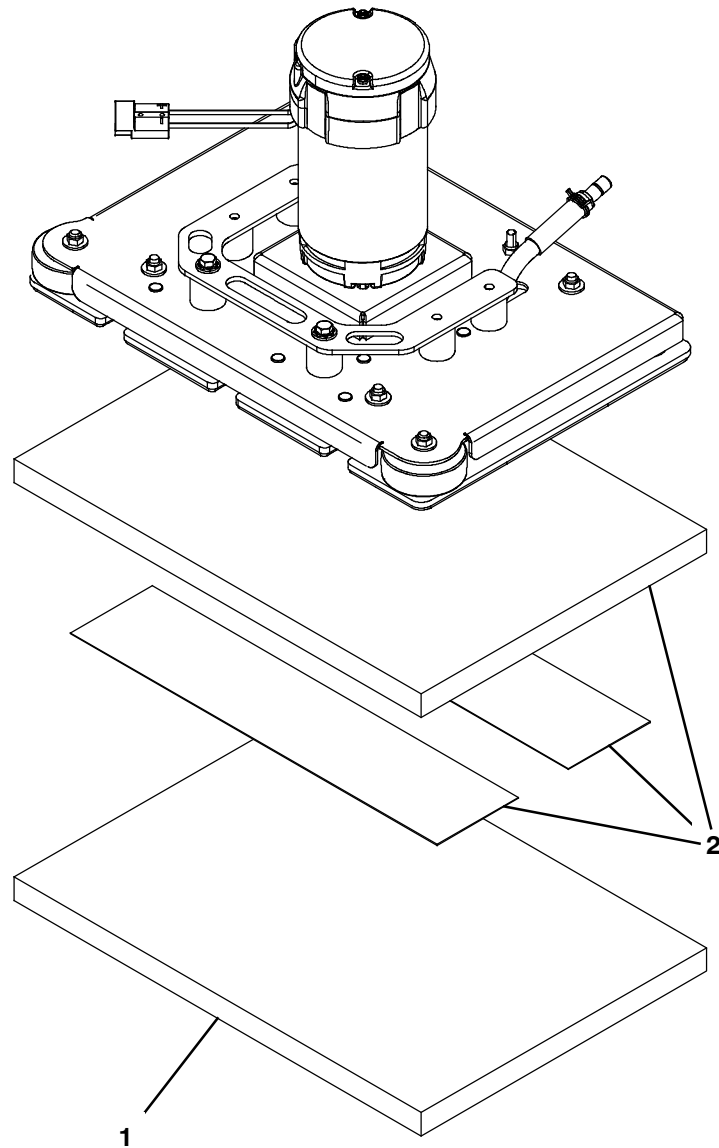
355333



Ref.	Part No.	Serial Number	Description	Qty.
1	1209188	(10000000-20000000)	Brush, Scb, 21l, 20sr, Nyl	2
1	1212762	(10000000-20000000)	Brush, Scb, 21l, 20sr, Pyp	2

PAD GROUP, 50CM ORBITAL

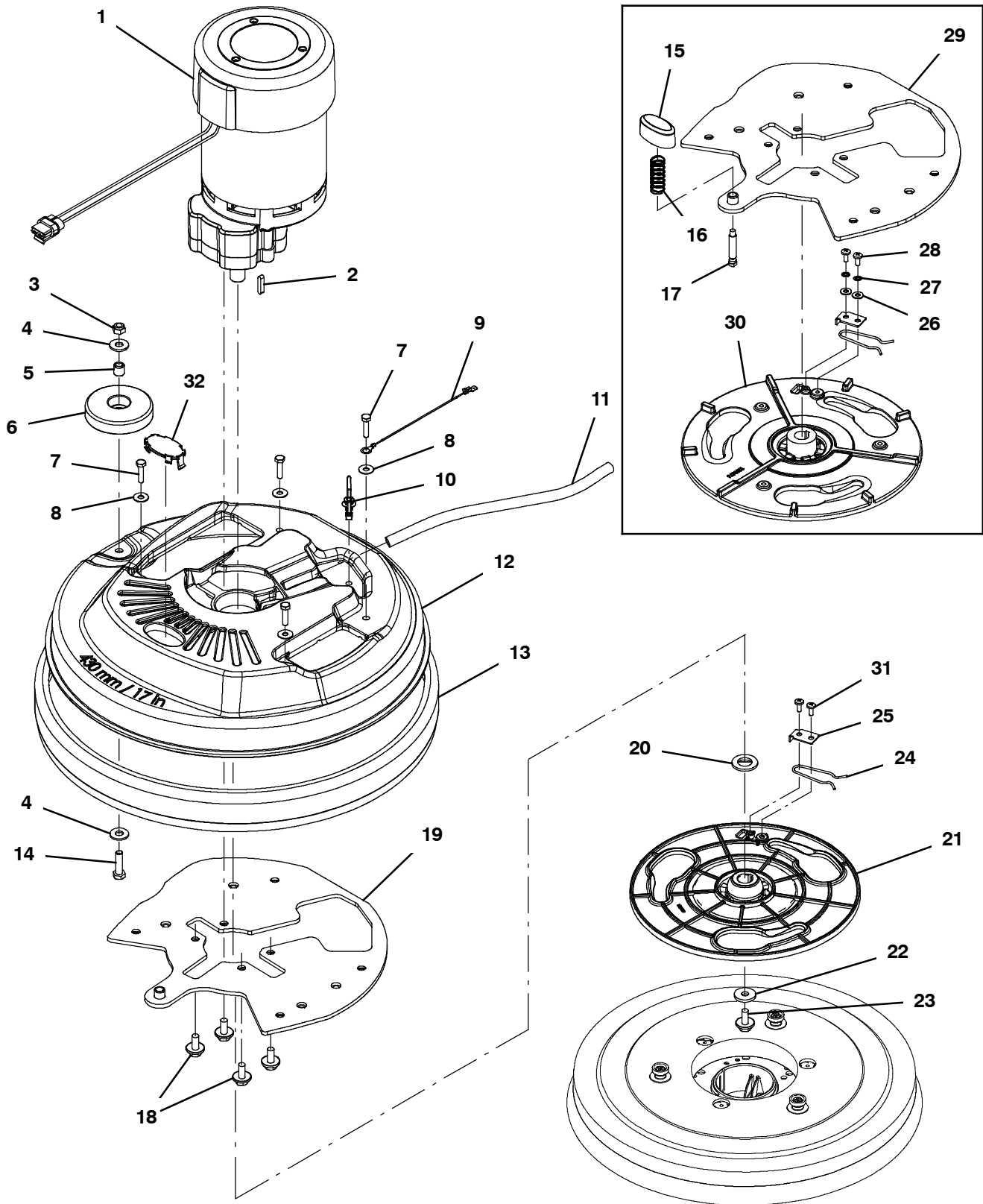
355334



Ref.	Part No.	Serial Number	Description	Qty.
1	1243351	(10000000- 20000000)	Pad, Polish, 20 X 14, White [1pick=1ctn]	1
1	1243352	(10000000- 20000000)	Pad, Buff, 20 X 14, Red [1pick=1ctn]	1
1	1243353	(10000000- 20000000)	Pad, Scb, 20 X 14, Blu [1pick=1ctn]	1
1	1243672	(10000000- 20000000)	Pad, Surf Prep, 20x14 Maroon[1pick=1ctn]	1
1	1074740	(10000000- 20000000)	Pad, Scb, 14 X 20, Green [1pick=1ctn]	1
1	1075562	(10000000- 20000000)	Pad, Stripper, 20 X 14, Blk [1pick=1ctn]	1
1	1228000	(10000000- 20000000)	Pad, Melamine, 14" X 20" [Case Of 5]	1
1	1240342	(10000000- 20000000)	Pad, Polish, 20 X 14, Yel [1pick=1ctn]	1
2	1217830	(10000000- 20000000)	Pad, Backer, 20 X 14 (Includes Hook & Loop Fastener)	1

SCRUB HEAD GROUP, 43CM DISK, 3-LUG HUB

355290



SCRUB HEAD GROUP, 43CM DISK, 3-LUG HUB

	Ref.	Part No.	Serial Number	Description	Qty.
▽	1	1228117	(10978979- 20000000)	Motor, Ele, 24vdc 150rpm 0.68hp, 17mm	1
▽	1	1226976	(10834063- 10978978)	Motor, Ele, 24vdc 0215rpm 650w, 17mm	1
▲		1227273	(10834063- 20000000)	Vr, Brush Kit, Motor, Ele (4pc)	1
▲	2	1014328	(10000000- 20000000)	Key, Sq, 05mm X 05mm, 25mml	1
▽	1	1210703	(10000000- 10834062)	Motor, Ele, 24vdc 0200rpm 1.00hp, 17mm (Replaced By 9015159)	1
▲		222606	(10000000- 10834062)	Vr, Brush Kit, Motor, Ele [lp] (4Pc) (For Imperial Motor - Frame #P56SG681)	1
▲		1045790	(10000000- 10834062)	Brush Kit, Replmt,Carbon 24vdc[1pk=1set](4Pc) (For Sanrong Motor - Frame #56S)	1
▲	2	1014328	(10000000- 20000000)	Key, Sq, 05mm X 05mm, 25mml	1
	3	08713	(10000000- 20000000)	Nut, Hex, Lock, M8 X 1.25, NI, Ss	1
	4	01685	(10000000- 20000000)	Washer, Flat, 0.38b 0.88d .08, Ss	2
	5	222460	(10000000- 20000000)	Sleeve, P/M, 0.32b 0.50d 0.5l [430ss]	1
	6	1010560	(10000000- 20000000)	Wheel, Bmpr, 80d X 25w, Non- Marking	1
	7	1016005	(10000000- 20000000)	Screw, Hex, M6 X 1.00 X 25, NI, FI, Ss	4
	8	01684	(10000000- 20000000)	Washer, Flat, 0.27b 0.69d .05, Ss	4
	9	1074344	(10000000- 20000000)	Harness, Ele [Ring With .250m Tail]	1
	10	1210807	(10000000- 20000000)	Wire, Tie [W/.25" Fir Tree Clip]	1
	11	1014929	(10000000- 20000000)	Hose, Afmkt, Pvc, Clr, 0.38id, 01ft	1
	12	1212324	(10000000- 20000000)	Housing, Head, 43cm	1
	13	1055019	(10000000- 10978978)	Bumper, Head, 43cm, W/ Bristle Skirt, Im	1
	14	1016399	(10000000- 20000000)	Screw, Hex, M8 X 1.25 X 30, NI, Ss	1
	15	1211242	(10000000- 10791637)	Button, Plunger, Pad	1
	16	1212785	(10000000- 10791637)	Spring, Cmpr, .66od, .05wir, 1.75l, Ss	1
	17	1211907	(10000000- 10791637)	Pin, Stop, Short	1
	18	1020341	(10000000- 20000000)	Screw, Hex, M8 X 1.25 X 20, Ss, Sems	4
	19	1223980	(10802498- 20000000)	Plate Wldt, Head, Weighted	1
	20	1022549	(10000000- 20000000)	Spacer, Shaft, 17.15b 30.0d 3.0l, Ss	1
	21	1219855	(10791638- 20000000)	Hub, Drive, 3lug, Alm- Nyl, 17mm[T2,T300]	1
	22	1017218	(10000000- 20000000)	Washer, Flat, 0.32b 1.00d .12, Ss	1
	23	1020341	(10000000- 20000000)	Screw, Hex, M8 X 1.25 X 20, Ss, Sems	1
	24	1013188	(10748031- 20000000)	Clip, Spring, Drive Hub, Release [T3]	1
	25	1011201	(10748031- 20000000)	Plate, Drive Hub, Release Clip [T3]	1
	26	01683	(10748031- 10791637)	Washer, Flat, 10, Ss	2
	27	07514	(10748031- 10791637)	Washer, Lock, Int, 10, Ss	2
	28	09200	(10748031- 10791637)	Screw, Pan, Phl, M5 X 0.80 X 12, Ss	2
	29	1210590	(10000000- 10802497)	Plate Wldt, Head, Weighted (Replaced By Kit 9014801)	1
	30	1210676	(10000000- 10791637)	Hub, Drive, 3 Lug [Machined] (Replaced By Kit 9014623)	1
	31	140197	(10791638- 20000000)	Screw, Trs, Phl, 10- 24 X 0.38, Sems, Ss	2
	32	1221972	(10791638- 20000000)	Plug, Hole, Oval, Head, Hsng, Abs [T300]	1

▽ ASSEMBLY

▲ INCLUDED IN ASSEMBLY

SCRUB HEAD GROUP, 43CM DISK, MAGNETIC HUB

Ref.	Part No.	Serial Number	Description	Qty.
▽	1	1228117	(10978979- 20000000) Motor, Ele, 24vdc 150rpm 0.68hp, 17mm	1
▽	1	1226976	(10834063- 10978978) Motor, Ele, 24vdc 0215rpm 650w, 17mm	1
▲		1227273	(10834063- 20000000) Vr, Brush Kit, Motor, Ele (4pc)	1
▲	2	1014328	(10000000- 20000000) Key, Sq, 05mm X 05mm, 25mml	1
▽	1	1210703	(10000000- 10834062) Motor, Ele, 24vdc 0200rpm 1.00hp, 17mm (Replaced By 9015159)	1
▲		222606	(10000000- 10834062) Vr, Brush Kit, Motor, Ele [lp] (4Pc) (For Imperial Motor - Frame #P56SG681)	1
▲		1045790	(10000000- 10834062) Brush Kit, Replmt, Carbon 24vdc [1pk=1set] (4Pc) (For Sanrong Motor - Frame #56S)	1
▲	2	1014328	(10000000- 20000000) Key, Sq, 05mm X 05mm, 25mml	1
	3	08713	(10000000- 20000000) Nut, Hex, Lock, M8 X 1.25, NI, Ss	1
	4	01685	(10000000- 20000000) Washer, Flat, 0.38b 0.88d .08, Ss	2
	5	222460	(10000000- 20000000) Sleeve, P/M, 0.32b 0.50d 0.5l [430ss]	1
	6	1010560	(10000000- 20000000) Wheel, Bmpr, 80d X 25w, Non- Marking	1
	7	1016005	(10000000- 20000000) Screw, Hex, M6 X 1.00 X 25, NI, FI, Ss	4
	8	01684	(10000000- 20000000) Washer, Flat, 0.27b 0.69d .05, Ss	4
	9	1074344	(10000000- 20000000) Harness, Ele [Ring With .250m Tail]	1
	10	1210807	(10000000- 20000000) Wire, Tie [W/.25" Fir Tree Clip]	1
	11	1014929	(10000000- 20000000) Hose, Afmkt, Pvc, Clr, 0.38id, 01ft	1
	12	1212324	(10000000- 20000000) Housing, Head, 43cm	1
	13	1055019	(10000000- 10978978) Bumper, Head, 43cm, W/ Bristle Skirt, Im	1
	14	1016399	(10000000- 20000000) Screw, Hex, M8 X 1.25 X 30, NI, Ss	1
	15	1211242	(10000000- 20000000) Button, Plunger, Pad	1
	16	1212785	(10000000- 20000000) Spring, Cmpr, .66od, .05wir, 1.75l, Ss	1
	17	1211256	(10000000- 20000000) Pin, Stop, Long	1
	18	1020341	(10000000- 20000000) Screw, Hex, M8 X 1.25 X 20, Ss, Sems	4
	19	1223980	(10802498- 20000000) Plate Wldt, Head, Weighted	1
	19	1210590	(10000000- 10802497) Plate Wldt, Head, Weighted (Replaced By 9014801)	1
	20	1022549	(10000000- 20000000) Spacer, Shaft, 17.15b 30.0d 3.0l, Ss	1
	21	1212312	(10000000- 10846652) Hub, Drive, Magnetic [Machined] (Replaced By 9015184)	1
	22	1205043	(10000000- 20000000) Ring, Hub, Magnetic	1
	23	1017218	(10000000- 20000000) Washer, Flat, 0.32b 1.00d .12, Ss	1
	24	1020341	(10000000- 20000000) Screw, Hex, M8 X 1.25 X 20, Ss, Sems	1
	25	630114	(10000000- 10846652) Screw, Flt, Phl, M4 X 0.70 X 8, 4.8	3
▽		9015184	(10846653- 20000000) Hub Kit, Drive, Magnetic [T300]	1
▲	26	1227654	(10846653- 20000000) Hub, Drive, Magnetic [Machined]	1
▲	27	33932	(10846653- 20000000) Nut, Hex, Lock, M4 X 0.70, NI, Ss	2
▲	28	1205043	(10000000- 20000000) Ring, Hub, Magnetic	1
▲	29	1227670	(10846653- 20000000) Screw, Flt, Soc, M4 X 0.70 X 14, 18- 8, Ss	3

▽ ASSEMBLY

▲ INCLUDED IN ASSEMBLY

SCRUB HEAD GROUP, 50CM DISK, 3-LUG HUB

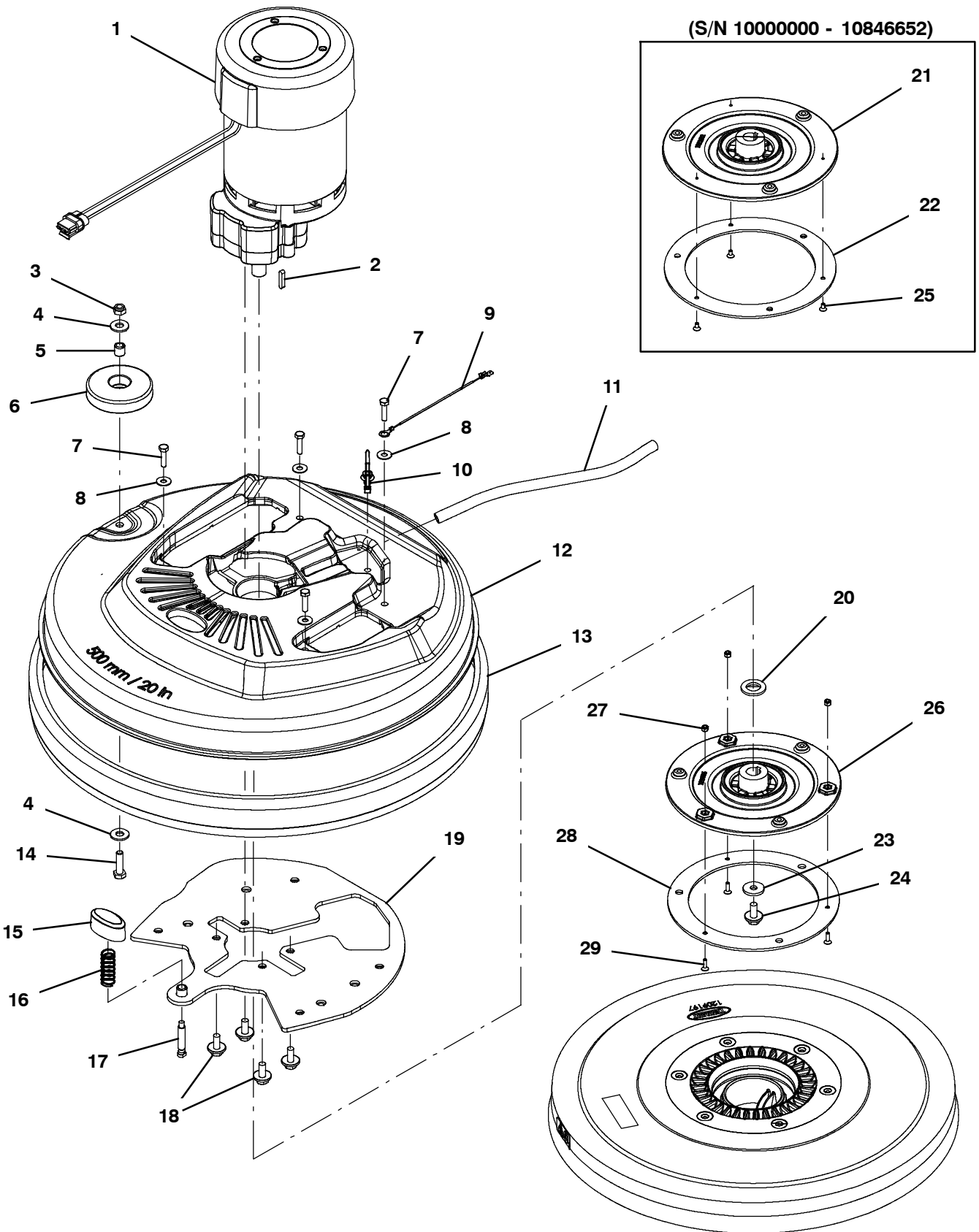
Ref.	Part No.	Serial Number	Description	Qty.
▽	1	1228117	(10978979- 20000000) Motor, Ele, 24vdc 150rpm 0.68hp, 17mm	1
▽	1	1226976	(10834387- 10978978) Motor, Ele, 24vdc 0215rpm 650w, 17mm	1
▲		1227273	(10834387- 20000000) Vr, Brush Kit, Motor, Ele (4pc)	1
▲	2	1014328	(10000000- 20000000) Key, Sq, 05mm X 05mm, 25mml	1
▽	1	1210703	(10000000- 10834386) Motor, Ele, 24vdc 0200rpm 1.00hp, 17mm (Replaced By 9015159)	1
▲		222606	(10000000- 10834386) Vr, Brush Kit, Motor, Ele [lp] (4Pc) (For Imperial Motor - Frame #P56SG681)	1
▲		1045790	(10000000- 10834386) Brush Kit, Replmt,Carbon 24vdc[1pk=1set](4Pc) (For Sanrong Motor - Frame #56S)	1
▲	2	1014328	(10000000- 20000000) Key, Sq, 05mm X 05mm, 25mml	1
	3	08713	(10000000- 20000000) Nut, Hex, Lock, M8 X 1.25, NI, Ss	1
	4	01685	(10000000- 20000000) Washer, Flat, 0.38b 0.88d .08, Ss	2
	5	222460	(10000000- 20000000) Sleeve, P/M, 0.32b 0.50d 0.5l [430ss]	1
	6	1010560	(10000000- 20000000) Wheel, Bmpr, 80d X 25w, Non- Marking	1
	7	1016005	(10000000- 20000000) Screw, Hex, M6 X 1.00 X 25, NI, FI, Ss	4
	8	01684	(10000000- 20000000) Washer, Flat, 0.27b 0.69d .05, Ss	4
	9	1074344	(10000000- 20000000) Harness, Ele [Ring With .250m Tail]	1
	10	1210807	(10000000- 20000000) Wire, Tie [W/.25" Fir Tree Clip]	1
	11	1014929	(10000000- 20000000) Hose, Afmkt, Pvc, Clr, 0.38id, 01ft	1
	12	1208041	(10000000- 20000000) Housing, Head, 50cm	1
	13	1055025	(10000000- 10978978) Bumper, Head, 50cm, W/ Bristle Skirt, Im	1
	14	1016399	(10000000- 20000000) Screw, Hex, M8 X 1.25 X 30, NI, Ss	1
	15	1211242	(10000000- 10791637) Button, Plunger, Pad	1
	16	1212785	(10000000- 10791637) Spring, Cmpr, .66od, .05wir, 1.75l, Ss	1
	17	1211907	(10000000- 10791637) Pin, Stop, Short	1
	18	1020341	(10000000- 20000000) Screw, Hex, M8 X 1.25 X 20, Ss, Sems	4
	19	1223980	(10499417- 20000000) Plate Wldt, Head, Weighted	1
	20	1022549	(10000000- 20000000) Spacer, Shaft, 17.15b 30.0d 3.0l, Ss	1
	21	1219855	(10791638- 20000000) Hub, Drive, 3lug, Alm- Nyl, 17mm[T2,T300]	1
	22	1017218	(10000000- 20000000) Washer, Flat, 0.32b 1.00d .12, Ss	1
	23	1020341	(10000000- 20000000) Screw, Hex, M8 X 1.25 X 20, Ss, Sems	1
	24	1013188	(10748031- 20000000) Clip, Spring, Drive Hub, Release [T3]	1
	25	1011201	(10748031- 20000000) Plate, Drive Hub, Release Clip [T3]	1
	26	01683	(10748031- 10791637) Washer, Flat, 10, Ss	2
	27	07514	(10748031- 10791637) Washer, Lock, Int, 10, Ss	2
	28	09200	(10748031- 10791637) Screw, Pan, Phl, M5 X 0.80 X 12, Ss	2
	29	1210590	(10000000- 10499416) Plate Wldt, Head, Weighted (Replaced By Kit 9014801)	1
	30	1210676	(10000000- 10791637) Hub, Drive, 3 Lug [Machined] (Replaced By Kit 9014623)	1
	31	140197	(10791638- 20000000) Screw, Trs, Phl, 10- 24 X 0.38, Sems, Ss	2
	32	1221972	(10791638- 20000000) Plug, Hole, Oval, Head, Hsng, Abs [T300]	1

▽ ASSEMBLY

▲ INCLUDED IN ASSEMBLY

SCRUB HEAD GROUP, 50CM DISK, MAGNETIC HUB

355295



SCRUB HEAD GROUP, 50CM DISK, MAGNETIC HUB

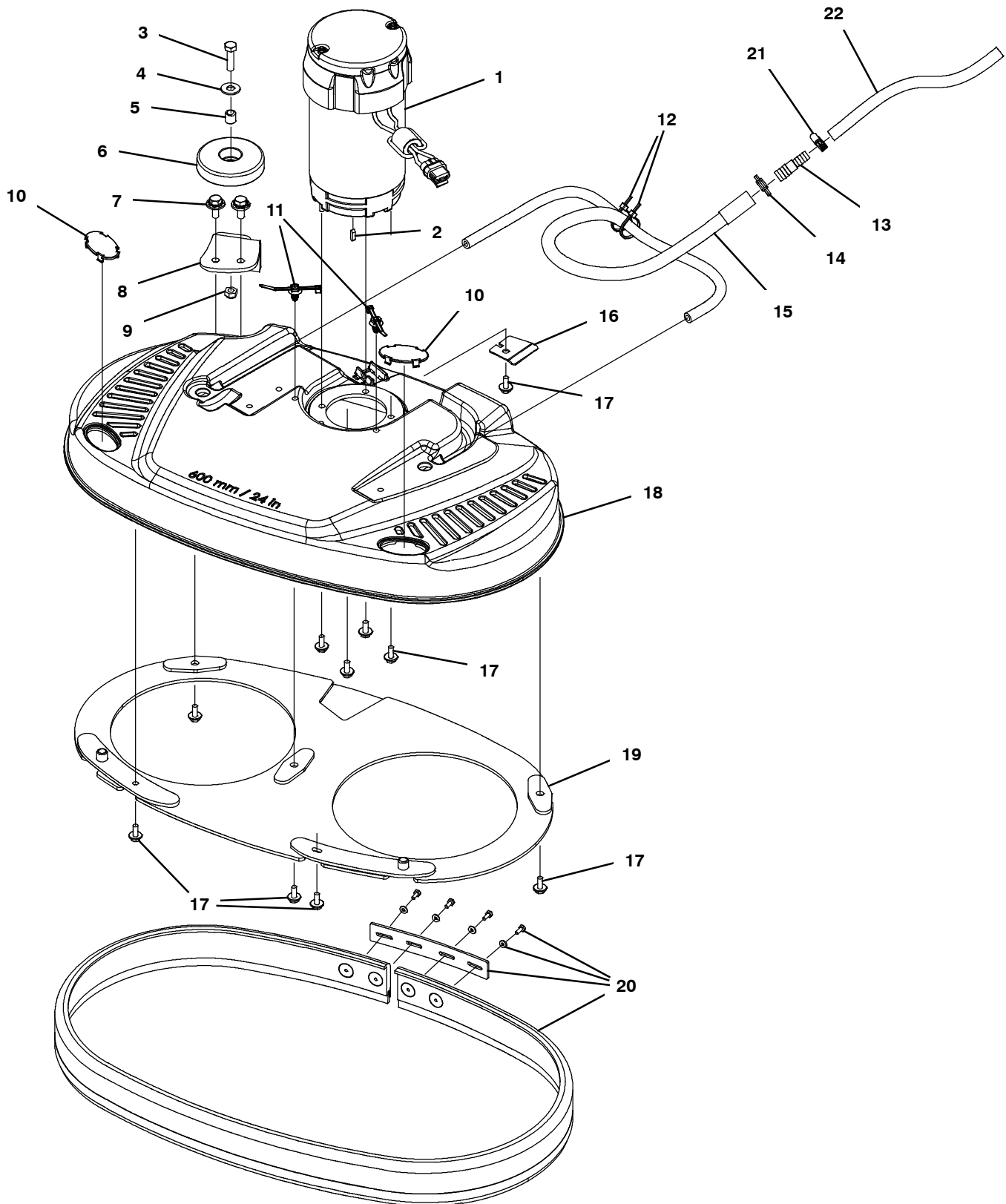
Ref.	Part No.	Serial Number	Description	Qty.
▽	1	1228117	(10978979- 20000000) Motor, Ele, 24vdc 150rpm 0.68hp, 17mm	1
▽	1	1226976	(10834387- 10978978) Motor, Ele, 24vdc 0215rpm 650w, 17mm	1
▲		1227273	(10834387- 20000000) Vr, Brush Kit, Motor, Ele (4pc)	1
▲	2	1014328	(10000000- 20000000) Key, Sq, 05mm X 05mm, 25mml	1
▽	1	1210703	(10000000- 10834386) Motor, Ele, 24vdc 0200rpm 1.00hp, 17mm (Replaced By 9015159)	1
▲		222606	(10000000- 10834386) Vr, Brush Kit, Motor, Ele [lp] (4Pc) (For Imperial Motor - Frame #P56SG681)	1
▲		1045790	(10000000- 10834386) Brush Kit, Replmt,Carbon 24vdc[1pk=1set](4Pc) (For Sanrong Motor - Frame #56S)	1
▲	2	1014328	(10000000- 20000000) Key, Sq, 05mm X 05mm, 25mml	1
	3	08713	(10000000- 20000000) Nut, Hex, Lock, M8 X 1.25, NI, Ss	1
	4	01685	(10000000- 20000000) Washer, Flat, 0.38b 0.88d .08, Ss	2
	5	222460	(10000000- 20000000) Sleeve, P/M, 0.32b 0.50d 0.5l [430ss]	1
	6	1010560	(10000000- 20000000) Wheel, Bmpr, 80d X 25w, Non- Marking	1
	7	1016005	(10000000- 20000000) Screw, Hex, M6 X 1.00 X 25, NI, FI, Ss	4
	8	01684	(10000000- 20000000) Washer, Flat, 0.27b 0.69d .05, Ss	4
	9	1074344	(10000000- 20000000) Harness, Ele [Ring With .250m Tail]	1
	10	1210807	(10000000- 20000000) Wire, Tie [W/.25" Fir Tree Clip]	1
	11	1014929	(10000000- 20000000) Hose, Afmkt, Pvc, Clr, 0.38id, 01ft	1
	12	1208041	(10000000- 20000000) Housing, Head, 50cm	1
	13	1055025	(10000000- 10978978) Bumper, Head, 50cm, W/ Bristle Skirt, Im	1
	14	1016399	(10000000- 20000000) Screw, Hex, M8 X 1.25 X 30, NI, Ss	1
	15	1211242	(10000000- 20000000) Button, Plunger, Pad	1
	16	1212785	(10000000- 20000000) Spring, Cmpr, .66od, .05wir, 1.75l, Ss	1
	17	1211256	(10000000- 20000000) Pin, Stop, Long	1
	18	1020341	(10000000- 20000000) Screw, Hex, M8 X 1.25 X 20, Ss, Sems	4
	19	1223980	(10499417- 20000000) Plate Wldt, Head, Weighted	1
	19	1210590	(10000000- 10499416) Plate Wldt, Head, Weighted (Replaced By Kit 9014801)	1
	20	1022549	(10000000- 20000000) Spacer, Shaft, 17.15b 30.0d 3.0l, Ss	1
	21	1212312	(10000000- 10846652) Hub, Drive, Magnetic [Machined] (Replaced By 9015184)	1
	22	1205043	(10000000- 20000000) Ring, Hub, Magnetic	1
	23	1017218	(10000000- 20000000) Washer, Flat, 0.32b 1.00d .12, Ss	1
	24	1020341	(10000000- 20000000) Screw, Hex, M8 X 1.25 X 20, Ss, Sems	1
	25	630114	(10000000- 10846652) Screw, Flt, Phl, M4 X 0.70 X 8, 4.8	3
▽		9015184	(10846653- 20000000) Hub Kit, Drive, Magnetic [T300]	1
▲	26	1227654	(10846653- 20000000) Hub, Drive, Magnetic [Machined]	1
▲	27	33932	(10846653- 20000000) Nut, Hex, Lock, M4 X 0.70, NI, Ss	2
▲	28	1205043	(10000000- 20000000) Ring, Hub, Magnetic	1
▲	29	1227670	(10846653- 20000000) Screw, Flt, Soc, M4 X 0.70 X 14,18- 8, Ss	3

▽ ASSEMBLY

▲ INCLUDED IN ASSEMBLY

SCRUB HEAD GROUP, 60CM DUAL DISK, 3-LUG HUB

355819



SCRUB HEAD GROUP, 60CM DUAL DISK, 3-LUG HUB

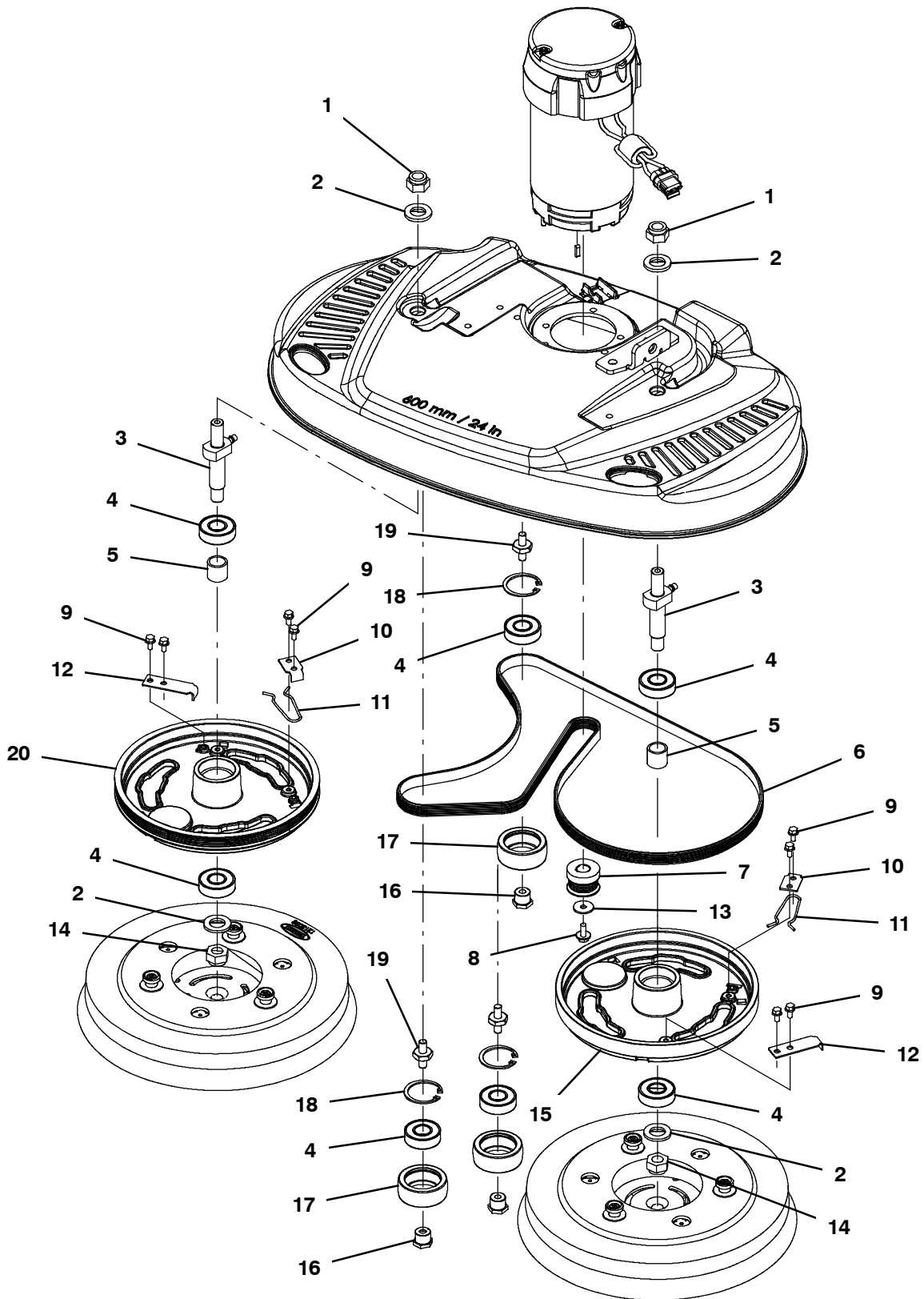
Ref.	Part No.	Serial Number	Description	Qty.
▽	1	1227280	(10835154- 20000000) Motor, 24vdc, 2000rpm, 7/8hp	1
▲		1059370	(10000000- 20000000) Brush, Motor, Replmt [Bag Of 4]	1
▲	2	1217769	(10000000- 20000000) Key, Sq, 04mm X 04mm, 15mml	1
▽	1	1210212	(10000000- 10835153) Motor, 24vdc, 2000rpm, 7/8hp, Us (Replaced By 9015160)	1
▲		1059370	(10000000- 20000000) Brush, Motor, Replmt [Bag Of 4]	1
▲	2	1217769	(10000000- 20000000) Key, Sq, 04mm X 04mm, 15mml	1
	3	09011	(10000000- 20000000) Screw, Hex, M8 X 1.25 X 30, Ss	1
	4	01685	(10000000- 20000000) Washer, Flat, 0.38b 0.88d .08, Ss	1
	5	222460	(10000000- 20000000) Sleeve, P/M, 0.32b 0.50d 0.5l [430ss]	1
	6	1010560	(10000000- 20000000) Wheel, Bmpr, 80d X 25w, Non- Marking	1
	7	1020341	(10000000- 20000000) Screw, Hex, M8 X 1.25 X 20, Ss, Sems	2
	8	1211506	(10000000- 20000000) Bracket, Rlr, Wall, Scb Head	1
	9	08713	(10000000- 20000000) Nut, Hex, Lock, M8 X 1.25, Ni, Ss	1
	10	1221972	(10000000- 20000000) Plug, Hole, Oval, Head, Hsng, Abs [T300]	2
	11	1210807	(10000000- 20000000) Wire, Tie [W/.25" Fir Tree Clip]	2
	12	130773	(10000000- 20000000) Tie, Cable, Nyl, 11.0l, .14w, 3.0 Max. D	2
	13	222375	(10000000- 20000000) Fitting, Plstc, Str, Bm06/bm08	1
	14	607776	(10000000- 20000000) Clamp, Hose, Wir, .73 - .77, Silver	1
	15	1216084	(10000000- 20000000) Manifold, Distribution, Water, 60dd [Vw]	1
	16	1217752	(10000000- 20000000) Bracket, Belt Guide	1
	17	1034731	(10000000- 20000000) Screw, Hex, M6 X 1.00 X 16, Sems, Ss	10
	18	1211027	(10000000- 20000000) Housing, Head, 60cm [Machined]	1
	19	1216346	(10000000- 20000000) Bracket Wldt, Guard, Splash, 60cm	1
	20	9011849	(10000000- 20000000) Bumper, Head, 60cm, Bristle Skirt	1
	21	43844	(10000000- 20000000) Clamp, Hose, Wormdrive, 0.25- 0.62d, .31w	1
	22	1014929	(10000000- 20000000) Hose, Afmkt, Pvc, Clr, 0.38id, 01ft	1

▽ ASSEMBLY

▲ INCLUDED IN ASSEMBLY

SCRUB HEAD GROUP, 60CM DUAL DISK, 3-LUG HUB - CONT'D

355335

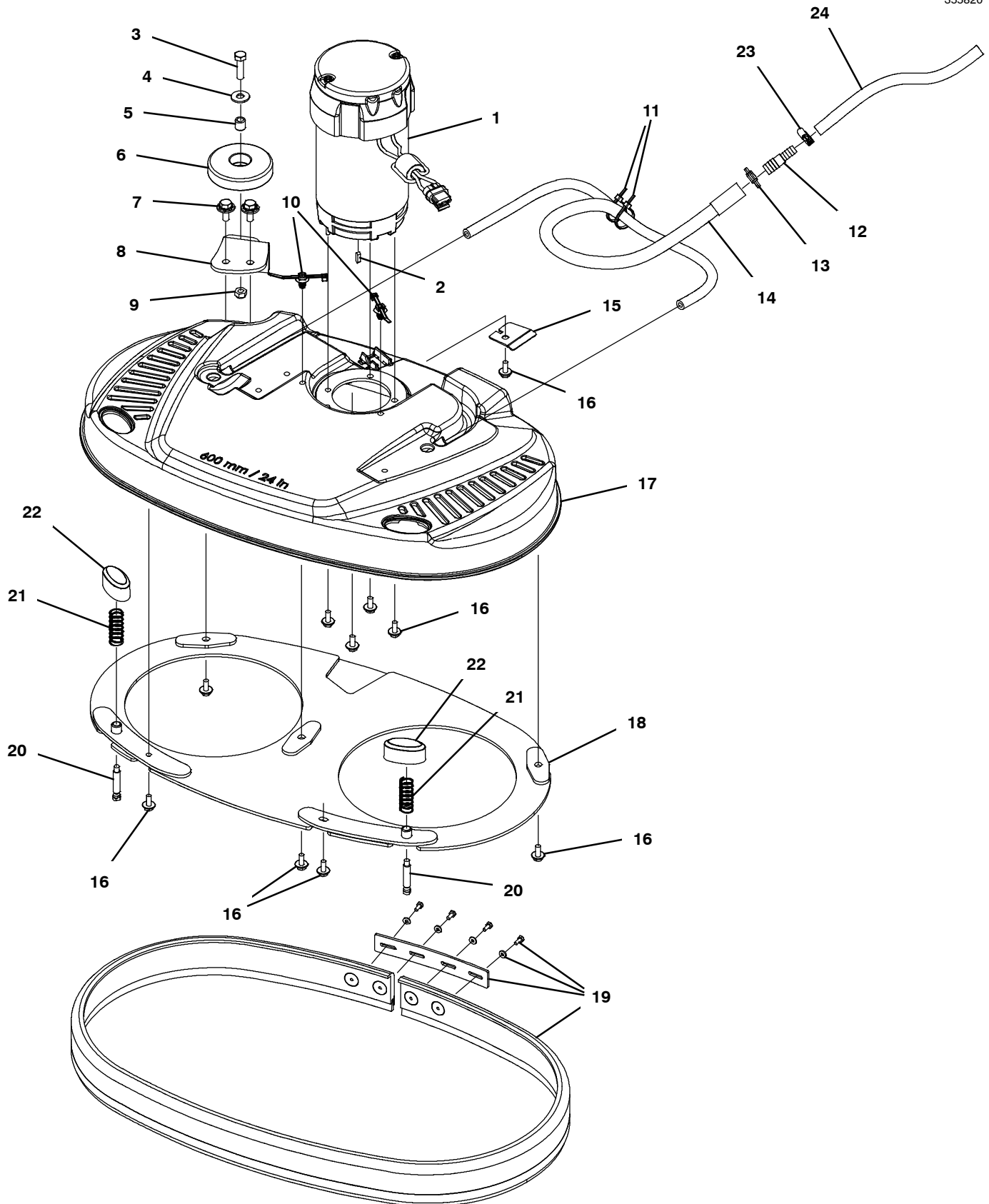


SCRUB HEAD GROUP, 60CM DUAL DISK, 3-LUG HUB - CONT'D

Ref.	Part No.	Serial Number	Description	Qty.
1	41517	(10000000- 20000000)	Nut, Hex, Lock, M14 X 2.00, NI	2
2	1022549	(10000000- 20000000)	Spacer, Shaft, 17.15b 30.0d 3.0l, Ss	4
3	1214206	(10000000- 20000000)	Shaft Wldt, Mtg, Pulley	2
4	1211187	(10000000- 20000000)	Bearing, Ball, 0.67b 1.57d 0.47w [6203]	7
5	1011041	(10000000- 20000000)	Tube, 0.69id 0.87od 00.8l, Stl, PI	2
6	1055305	(10000000- 20000000)	Belt, Drive, 6pj, Ej139 [T3]	1
7	1213927	(10000000- 20000000)	Sheave, 06grv, 1.25pd 0.54b, Ss [Keyed]	1
8	1034731	(10000000- 20000000)	Screw, Hex, M6 X 1.00 X 16, Sems, Ss	1
9	223198	(10000000- 20000000)	Screw, Hex, M5 X 0.80 X 10, Fmg	8
10	1011201	(10000000- 20000000)	Plate, Drive Hub, Release Clip [T3]	2
11	1013188	(10000000- 20000000)	Clip, Spring, Drive Hub, Release [T3]	2
12	1013592	(10000000- 20000000)	Plate, Drive Hub, Release Stop [T3 Dd]	2
13	019680127	(10000000- 20000000)	Washer, Flat, 6.2mm Id X 22.0mm Od X 1.9	1
14	41517	(10000000- 20000000)	Nut, Hex, Lock, M14 X 2.00, NI	2
15	1059205	(10000000- 20000000)	Hub, Drive, 3lug, Alm, 2disk, Flt	1
16	1011008	(10000000- 20000000)	Spacer, Brg, Idler	3
17	1058514	(10000000- 20000000)	Pulley, Idler, 55d X 21w[60cm Dual Disk]	3
18	1013884	(10000000- 20000000)	Ring, Retaining, Int, 40mm, Ss	3
19	1211624	(10000000- 20000000)	Stud, M8 X 1.25, Dbl End W/Hex, Ss	3
20	1059206	(10000000- 20000000)	Hub, Drive, 3lug, Alm, 2disk, 6grv	1

SCRUB HEAD GROUP, 60CM DUAL DISK, MAGNETIC HUB

355820



SCRUB HEAD GROUP, 60CM DUAL DISK, MAGNETIC HUB

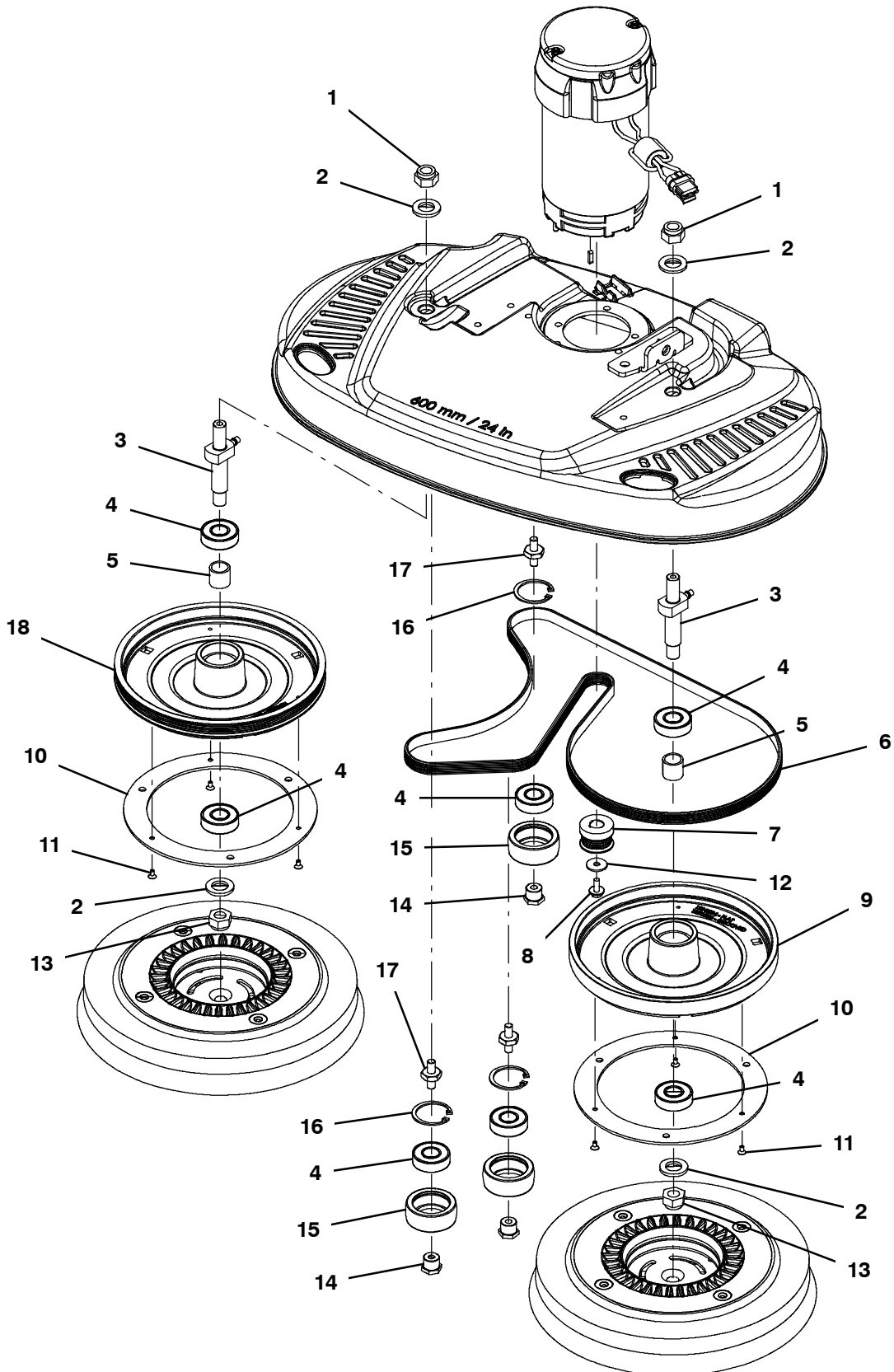
	Ref.	Part No.	Serial Number	Description	Qty.
▽	1	1227280	(10835154- 20000000)	Motor, 24vdc, 2000rpm, 7/8hp	1
▲		1059370	(10000000- 20000000)	Brush, Motor, Replmt [Bag Of 4]	1
▲	2	1217769	(10000000- 20000000)	Key, Sq, 04mm X 04mm, 15mml	1
▽	1	1210212	(10000000- 10835153)	Motor, 24vdc, 2000rpm, 7/8hp, Us (Replaced By 9015160)	1
▲		1059370	(10000000- 20000000)	Brush, Motor, Replmt [Bag Of 4]	1
▲	2	1217769	(10000000- 20000000)	Key, Sq, 04mm X 04mm, 15mml	1
	3	09011	(10000000- 20000000)	Screw, Hex, M8 X 1.25 X 30, Ss	1
	4	01685	(10000000- 20000000)	Washer, Flat, 0.38b 0.88d .08, Ss	1
	5	222460	(10000000- 20000000)	Sleeve, P/M, 0.32b 0.50d 0.5l [430ss]	1
	6	1010560	(10000000- 20000000)	Wheel, Bmpr, 80d X 25w, Non- Marking	1
	7	1020341	(10000000- 20000000)	Screw, Hex, M8 X 1.25 X 20, Ss, Sems	2
	8	1211506	(10000000- 20000000)	Bracket, Rlr, Wall, Scb Head	1
	9	08713	(10000000- 20000000)	Nut, Hex, Lock, M8 X 1.25, NI, Ss	1
	10	1210807	(10000000- 20000000)	Wire, Tie [W/.25" Fir Tree Clip]	2
	11	130773	(10000000- 20000000)	Tie, Cable, Nyl, 11.0l, .14w, 3.0 Max. D	2
	12	222375	(10000000- 20000000)	Fitting, Plstc, Str, Bm06/bm08	1
	13	607776	(10000000- 20000000)	Clamp, Hose, Wir, .73 - .77, Silver	1
	14	1216084	(10000000- 20000000)	Manifold, Distribution, Water, 60dd [Vw]	1
	15	1217752	(10000000- 20000000)	Bracket, Belt Guide	1
	16	1034731	(10000000- 20000000)	Screw, Hex, M6 X 1.00 X 16, Sems, Ss	10
	17	1211027	(10000000- 20000000)	Housing, Head, 60cm [Machined]	1
	18	1216346	(10000000- 20000000)	Bracket Wldt, Guard, Splash, 60cm	1
	19	9011849	(10000000- 20000000)	Bumper, Head, 60cm, Bristle Skirt	1
	20	1211907	(10000000- 20000000)	Pin, Stop, Short	2
	21	1212785	(10000000- 20000000)	Spring, Cmpr, .66od, .05wir, 1.75l, Ss	2
	22	1211242	(10000000- 20000000)	Button, Plunger, Pad	2
	23	43844	(10000000- 20000000)	Clamp, Hose, Wormdrive, 0.25- 0.62d, .31w	1
	24	1014929	(10000000- 20000000)	Hose, Afmkt, Pvc, Clr, 0.38id, 01ft	1

▽ ASSEMBLY

▲ INCLUDED IN ASSEMBLY

SCRUB HEAD GROUP, 60CM DUAL DISK, MAGNETIC HUB - CONT'D

355336

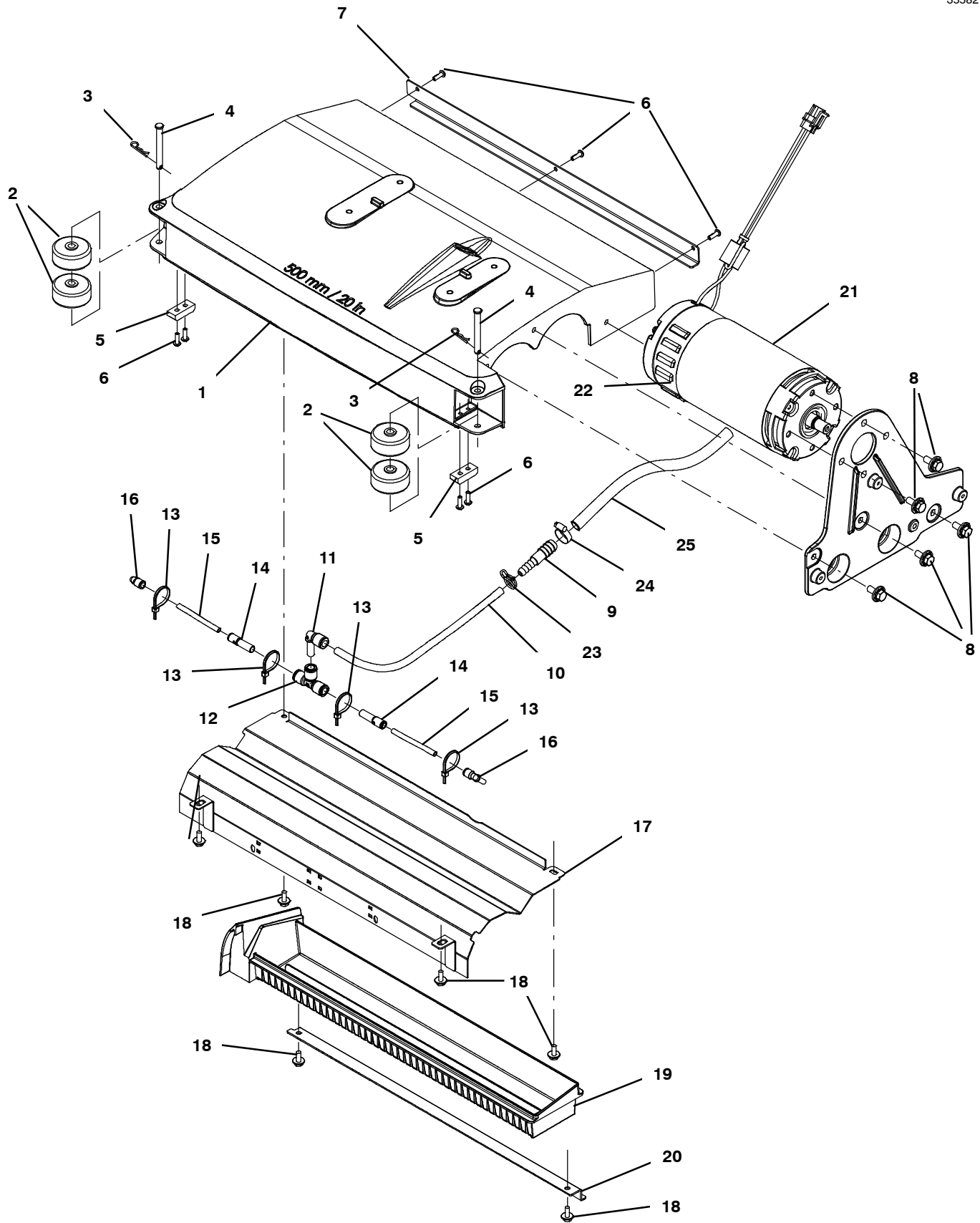


SCRUB HEAD GROUP, 60CM DUAL DISK, MAGNETIC HUB - CONT'D

Ref.	Part No.	Serial Number	Description	Qty.
1	41517	(10000000- 20000000)	Nut, Hex, Lock, M14 X 2.00, NI	2
2	1022549	(10000000- 20000000)	Spacer, Shaft, 17.15b 30.0d 3.0l, Ss	4
3	1214206	(10000000- 20000000)	Shaft Wldt, Mtg, Pulley	2
4	1211187	(10000000- 20000000)	Bearing, Ball, 0.67b 1.57d 0.47w [6203]	7
5	1011041	(10000000- 20000000)	Tube, 0.69id 0.87od 00.8l, Stl, PI	2
6	1055305	(10000000- 20000000)	Belt, Drive, 6pj, Ej139 [T3]	1
7	1213927	(10000000- 20000000)	Sheave, 06grv, 1.25pd 0.54b, Ss [Keyed]	1
8	1034731	(10000000- 20000000)	Screw, Hex, M6 X 1.00 X 16, Sems, Ss	1
9	1210504	(10000000- 20000000)	Hub, Drive, Magnetic, Flat, 60cm Dd	1
10	1205043	(10000000- 20000000)	Ring, Hub, Magnetic	2
11	630114	(10000000- 20000000)	Screw, Flt, Phl, M4 X 0.70 X 8, 4.8	6
12	019680127	(10000000- 20000000)	Washer, Flat, 6.2mm Id X 22.0mm Od X 1.9	1
12	41517	(10000000- 20000000)	Nut, Hex, Lock, M14 X 2.00, NI	2
14	1011008	(10000000- 20000000)	Spacer, Brg, Idler	3
15	1058514	(10000000- 20000000)	Pulley, Idler, 55d X 21w[60cm Dual Disk]	3
16	1013884	(10000000- 20000000)	Ring, Retaining, Int, 40mm, Ss	3
17	1211624	(10000000- 20000000)	Stud, M8 X 1.25, Dbl End W/Hex, Ss	3
18	1210503	(10000000- 20000000)	Hub, Drive, Magnetic, Grooved, 60cm Dd	1

SCRUB HEAD GROUP, 50CM CYLINDRICAL

355821



SCRUB HEAD GROUP, 50CM CYLINDRICAL

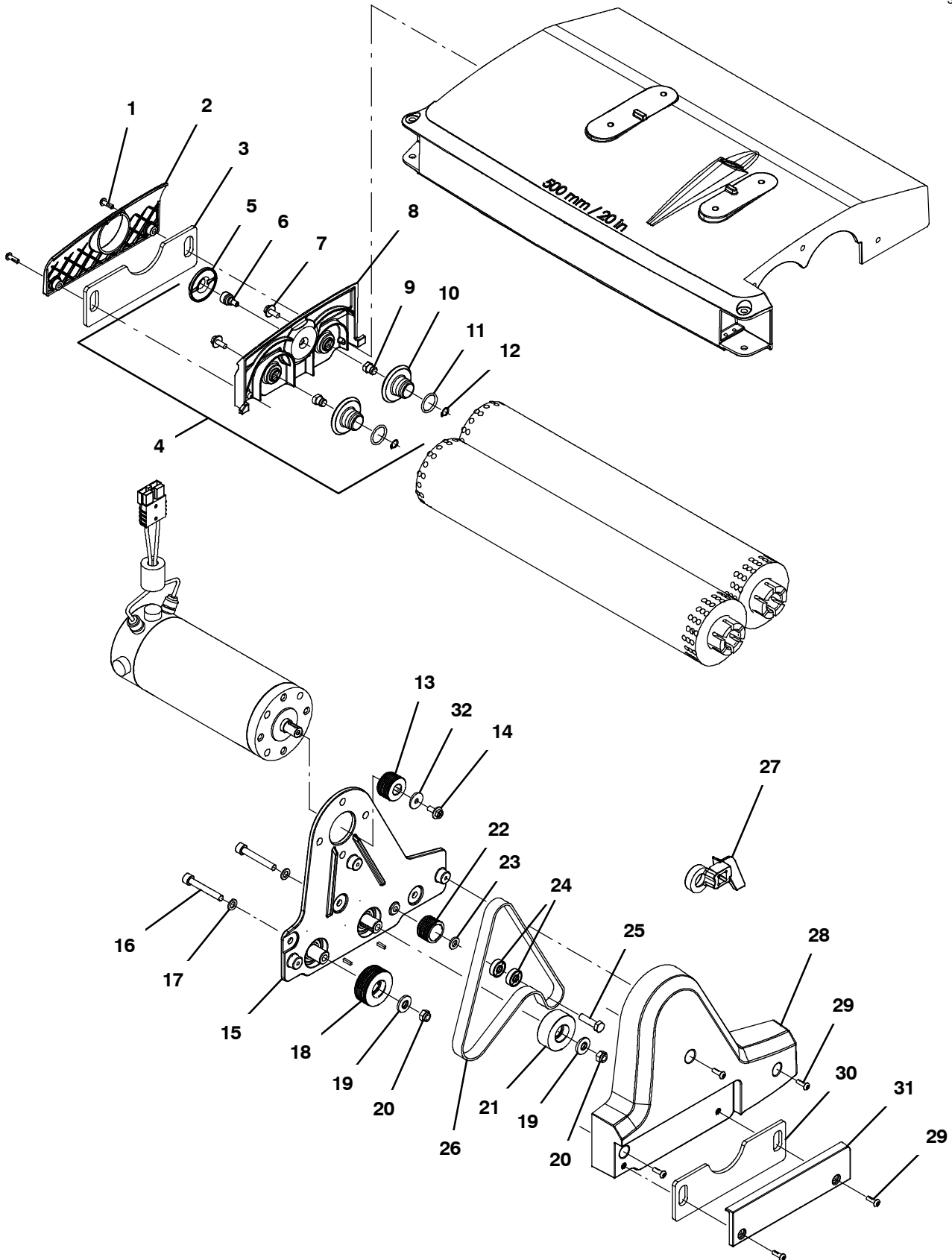
Ref.	Part No.	Serial Number	Description	Qty.	
1	1212265	(10000000-20000000)	Housing, Brush, Dbl 50cm [Machined]	1	
2	630477	(10000000-20000000)	Wheel, Pyu, 02.0d 0.38w, Gray	4	
3	1216647	(10000000-20000000)	Pin, Cotter, Hair, 0.38d .054 Wir	2	
4	391179	(10000000-20000000)	Pin, Clevis, 0.37d X 2.62l	2	
5	1215675	(10000000-20000000)	Skid, Brush Housing	2	
6	1205799	(10000000-20000000)	Screw, Btn, M5 X 0.8 X 16, 8.8, NI, Torx	7	
7	1213708	(10000000-20000000)	Bracket, Tray, Debris	1	
8	1020341	(10000000-20000000)	Screw, Hex, M8 X 1.25 X 20, Ss, Sems	7	
9	1039557	(10000000-20000000)	Fitting, Plstc, Str, Bm04/Bm06	1	
10	1014986	(10000000-20000000)	Hose, Afmkt, Pvc, Clr, 0.25id, 02ft	1	
11	1215186	(10000000-20000000)	Fitting, Plstc, E90, Qf06/Qm06	1	
12	1212573	(10000000-20000000)	Fitting, Plstc, Tee, Qf06/Qf06/Qf06	1	
13	130773	(10000000-20000000)	Tie, Cable, Nyl, 11.0l, .14w, 3.0 Max. D	4	
14	1212934	(10000000-20000000)	Fitting, Plstc, Str, Qf04/Qm06	2	
15	160827	(10000000-20000000)	Hose, Pvc, Clr, 0.12id 0.25od 010.5l	1	
16	1214339	(10000000-20000000)	Fitting, Plstc, E90, Qfo4/Qm04	2	
17	1219486	(10000000-20000000)	Panel Wldt, Brush	1	
18	1034731	(10000000-20000000)	Screw, Hex, M6 X 1.00 X 16, Sems, Ss	6	
19	1213706	(10000000-20000000)	Tray, Debris, 500mm [lm]	1	
20	1213707	(10000000-20000000)	Bracket, Tray, Debris	1	
▽	21	1210202	(10000000-20000000)	Motor, Ele, 24vdc [Vw Cyl]	1
▲		1217769	(10000000-20000000)	Key, Sq, 04mm X 04mm, 15mml	1
▲	22	1059370	(10000000-20000000)	Brush, Motor, Replmt [Bag Of 4]	1
	23	613735	(10000000-20000000)	Clamp, Hose, Wir, .40 - .42, Yel	1
	24	43844	(10000000-20000000)	Clamp, Hose, Wormdrive, 0.25- 0.62d, .31w	1
	25	1014929	(10000000-20000000)	Hose, Afmkt, Pvc, Clr, 0.38id, 01ft	1

▽ ASSEMBLY

▲ INCLUDED IN ASSEMBLY

SCRUB HEAD GROUP, 50CM CYLINDRICAL - CONT'D

355298



SCRUB HEAD GROUP, 50CM CYLINDRICAL - CONT'D

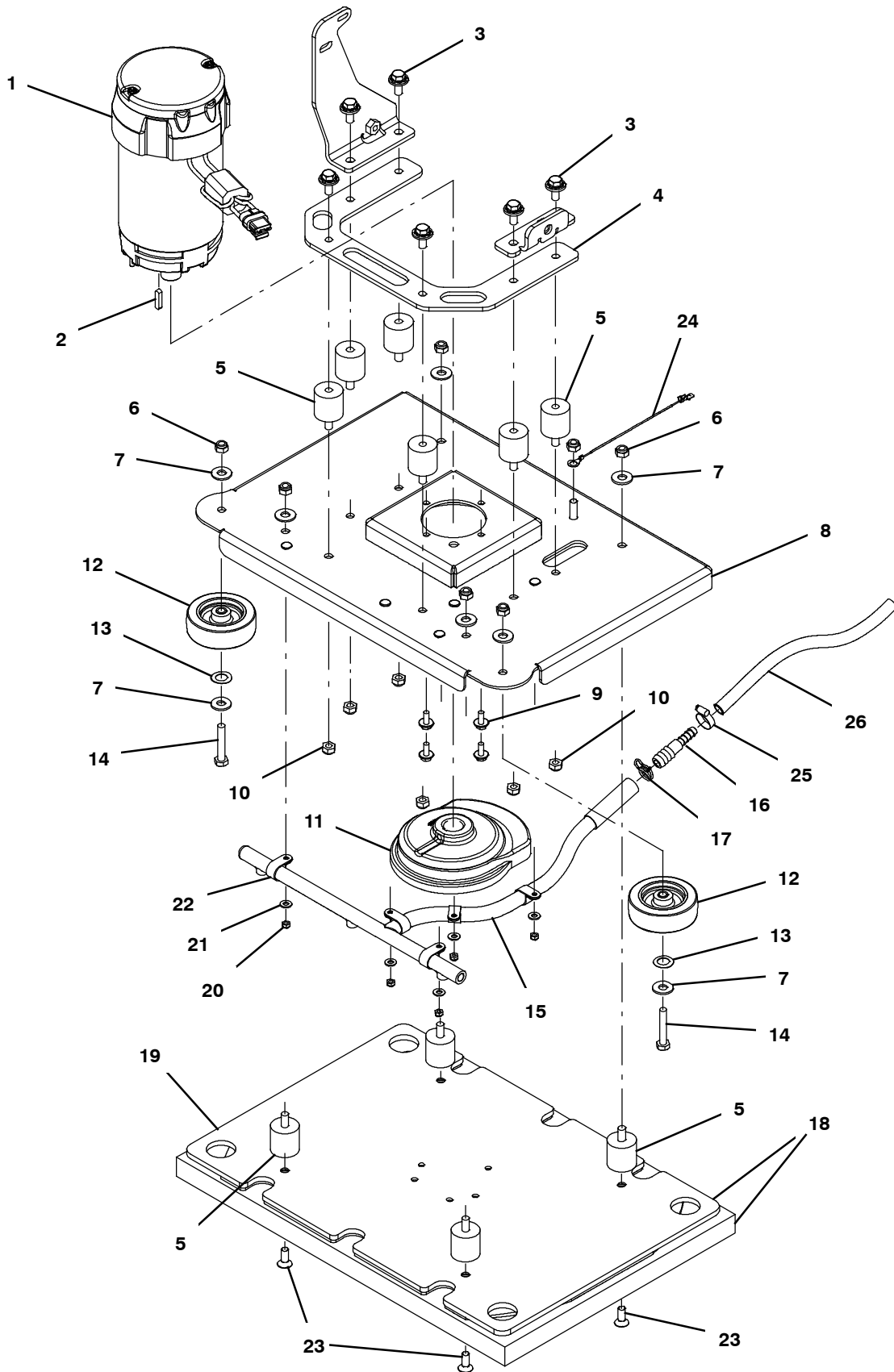
Ref.	Part No.	Serial Number	Description	Qty.
	1	1205799	(10000000-20000000) Screw, Btn, M5 X 0.8 X 16, 8.8, NI, Torx	2
	2	1216689	(10000000-20000000) Cover, Skirt, Cyl Door	1
	3	1215666	(10000000-20000000) Skirt, Side, Cyl, Floating	1
▽	4	9014168	(10000000-20000000) Door Assy, Brush	1
▲	5	1215581	(10000000-20000000) Cap, Screw	1
▲	6	1062149	(10000000-20000000) Knob, Rnd, 0.58d 0.50l, .25-20x.50l Stud	1
▲	7	1034731	(10000000-20000000) Screw, Hex, M6 X 1.00 X 16, Sems, Ss	2
▲	8	1212250	(10000000-20000000) Door, Brush [Machined]	1
▲	9	1030682	(10000000-20000000) Shaft, Idler Plug	2
▲	10	1030680	(10000000-20000000) Hub, Idler, Brush	2
▲	11	1220596	(10000000-20000000) Seal, Org, .139 X .859 Id, 212	2
▲	12	01543	(10000000-20000000) Ring, Retaining, Ext, 0.39d, Basic	2
	13	1210116	(10000000-20000000) Sheave, Motor, 07grv 1.3pd 0.50b [Pj]	1
	14	1034731	(10000000-20000000) Screw, Hex, M6 X 1.00 X 16, Sems, Ss	1
▽	15	9014167	(10000000-20000000) Brkt Assy, Motor, Sgl Mount (Also includes Hubs, Bearings and Seals Not Available Separately)	1
▲	16	1057476	(10000000-20000000) Screw, Soc, M8 X 1.25 X 55, Ss	2
▲	17	1057482	(10000000-20000000) Washer, Flat, 0.33b 0.57d 0.06, Ss	2
▲	18	1210204	(10000000-20000000) Sheave, Drive, Grvd 07grv, 2.0pd 0.67b [1
▲	19	41186	(10000000-20000000) Washer, Flat, Belleville, .31	2
▲	20	08713	(10000000-20000000) Nut, Hex, Lock, M8 X 1.25, NI, Ss	2
▲	21	1210232	(10000000-20000000) Sheave, Drive, Smooth 2.0pd 0.67b	1
▲	22	1210233	(10000000-20000000) Sheave, Idler, 07grv 1.2pd 0.87b [Pj]	1
▲	23	1216289	(10000000-20000000) Spacer, Pulley, 2cyl, Pm [Vw]	1
▲	24	1027651	(10000000-20000000) Bearing, Ball, 8mmb X 22mmd X 7mmw	2
▲	25	1016399	(10000000-20000000) Screw, Hex, M8 X 1.25 X 30, NI, Ss	1
▲▽	9014166	(10000000-20000000) Kit, Belt, Motor (Includes Belt & Installation Tool)	1	
▲▲	26	1209587	(10000000-20000000) Belt, Motor [Vw Single Motor]	1
▲▲	27	1213132	(10000000-20000000) Tool, Installation, Belt	1
	28	1209594	(10000000-20000000) Cover, Belt	1
	29	1205799	(10000000-20000000) Screw, Btn, M5 X 0.8 X 16, 8.8, NI, Torx	5
	30	1215666	(10000000-20000000) Skirt, Side, Cyl, Floating	1
	31	1216728	(10000000-20000000) Cover, Skirt, Cyl Head	1
	32	019680127	(10000000-20000000) Washer, Flat, 6.2mm Id X 22.0mm Od X 1.9	1

▽ ASSEMBLY

▲ INCLUDED IN ASSEMBLY

SCRUB HEAD GROUP, 50CM ORBITAL

355822



SCRUB HEAD GROUP, 50CM ORBITAL

Ref.	Part No.	Serial Number	Description	Qty.
▽	1	1226909	(10827598- 20000000) Motor, Ele, 24vdc, 2200rpm, .6hp, 22mm	1
▲		1059370	(10000000- 20000000) Brush, Motor, Replmt [Bag Of 4]	1
▲	2	1014328	(10000000- 20000000) Key, Sq, 05mm X 05mm, 25mml	1
▽	1	1212669	(10000000- 10827597) Motor, Ele, 24vdc, 2200rpm, .6hp, 22mm (Replaced By 9015162)	1
▲		1059370	(10000000- 20000000) Brush, Motor, Replmt [Bag Of 4]	1
▲	2	1014328	(10000000- 20000000) Key, Sq, 05mm X 05mm, 25mml	1
	3	1020341	(10000000- 20000000) Screw, Hex, M8 X 1.25 X 20, Ss, Sems	6
	4	1209745	(10000000- 20000000) Plate, Mtg, Head [50cm Orb]	1
	5	1212543	(10000000- 20000000) Isolator, Neoprene, 1.25" X 1.25", M8	10
	6	08713	(10000000- 20000000) Nut, Hex, Lock, M8 X 1.25, NI, Ss	6
	7	01685	(10000000- 20000000) Washer, Flat, 0.38b 0.88d .08, Ss	8
	8	1212527	(10000000- 20000000) Deck Wldt, Scrbr [Volga Wet]	1
	9	1034731	(10000000- 20000000) Screw, Hex, M6 X 1.00 X 16, Sems, Ss	4
	10	08713	(10000000- 20000000) Nut, Hex, Lock, M8 X 1.25, NI, Ss	6
	11	9014175	(10000000- 20000000) Kit, Eccentric Assy, [T300] (See Breakdowns)	1
	12	1014918	(10000000- 20000000) Wheel, 03.0d 0.88w 0.31b, W/ Bshg, Rbr	2
	13	1210221	(10000000- 20000000) Washer, Wave, .515b, .875d, .013, Ss	2
	14	222505	(10000000- 20000000) Screw, Hex, M8 X 1.25 X 45, Ss	2
	15	1212468	(10000000- 20000000) Manifold, Distribution, Water, Orb [Vw]	1
	16	222375	(10000000- 20000000) Fitting, Plstc, Str, Bm06/bm08	1
	17	607776	(10000000- 20000000) Clamp, Hose, Wir, .73 - .77, Silver	1
▽	18	9014189	(10000000- 20000000) Kit, Afmkt, Pad Driver [T300]	1
▲	19	1212615	(10000000- 20000000) Face, Pad Driver [Volga Wet]	1
	20	09739	(10000000- 20000000) Nut, Hex, Lock, M5 X 0.80, NI, Ss	5
	21	01683	(10000000- 20000000) Washer, Flat, 10, Ss	5
	22	140916	(10000000- 20000000) Clamp, Cable, Nyl, 0.62d, Nat	5
	23	1218926	(10000000- 20000000) Screw, Flt, Soc, M8 X 1.25 X 14, Ss	4
	24	1074344	(10000000- 20000000) Harness, Ele [Ring With .250m Tail]	1
	25	43844	(10000000- 20000000) Clamp, Hose, Wormdrive, 0.25- 0.62d, .31w	1
	26	1014929	(10000000- 20000000) Hose, Afmkt, Pvc, Clr, 0.38id, 01ft	1

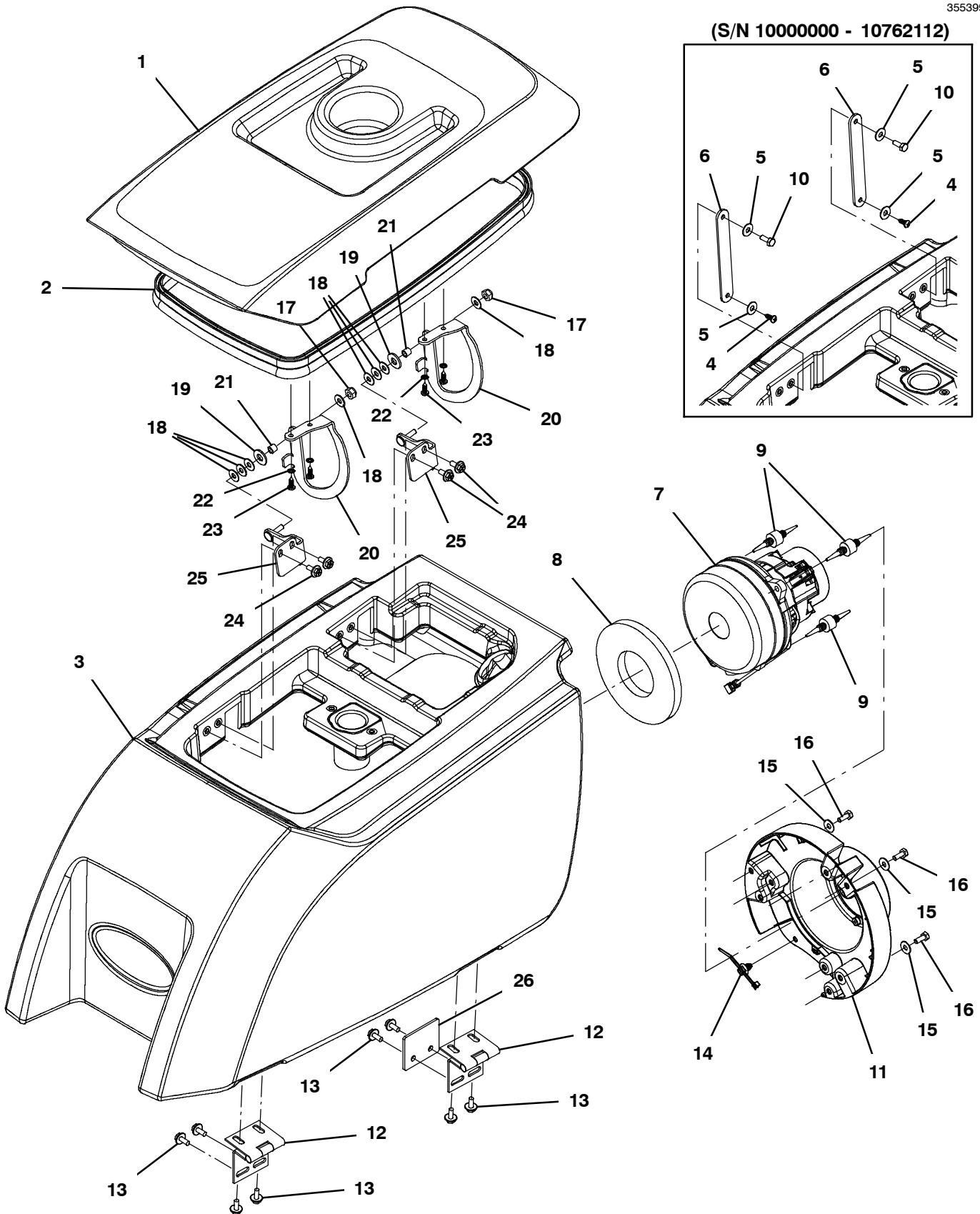
▽ ASSEMBLY

▲ INCLUDED IN ASSEMBLY

RECOVERY TANK GROUP, BASE MODEL

355399

(S/N 1000000 - 10762112)



RECOVERY TANK GROUP, BASE MODEL

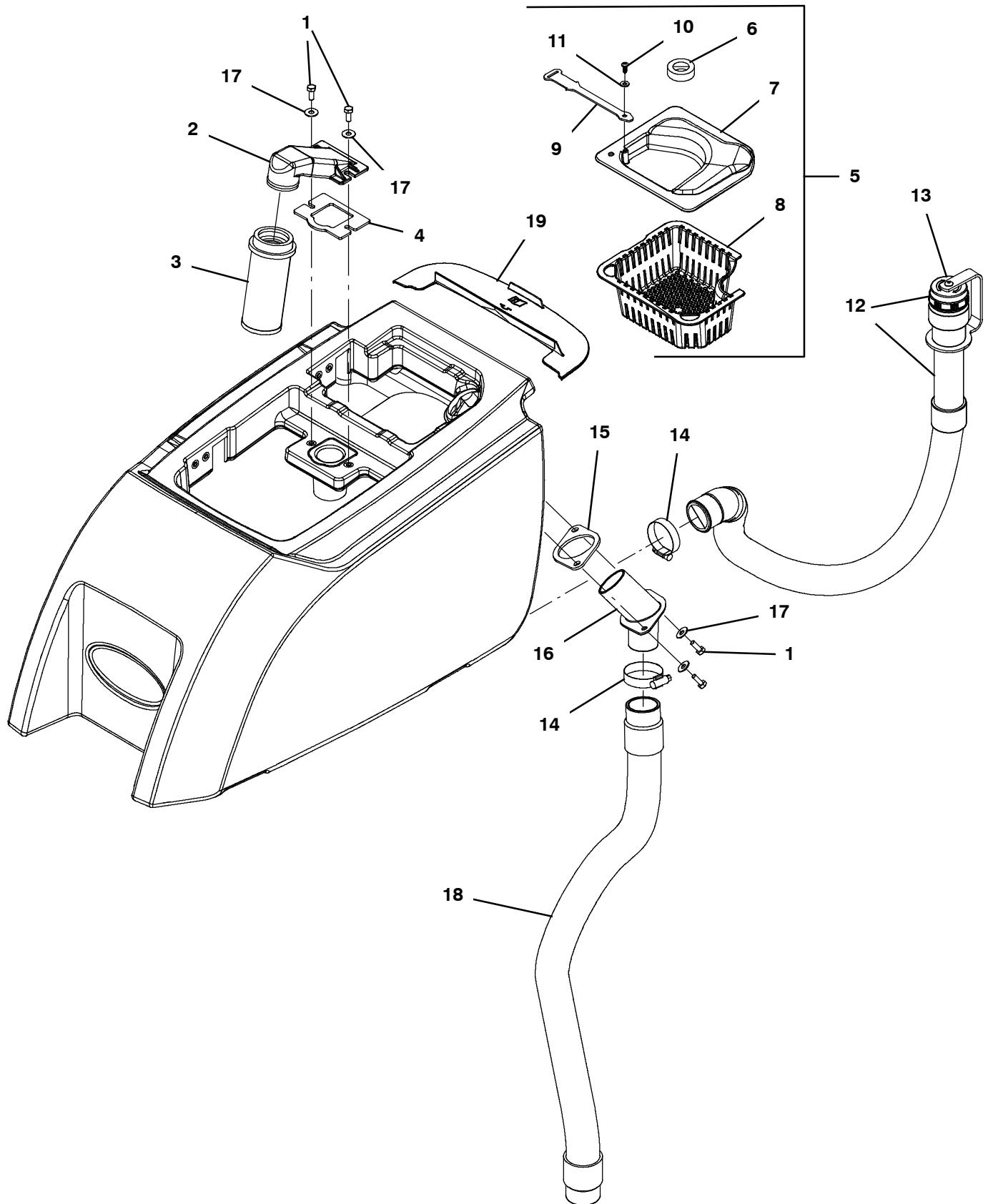
Ref.	Part No.	Serial Number	Description	Qty.
▽	1	9014682	(10000000- 20000000) Kit, Cover, Recvy, Ci [Na]	1
▲	2	1210472	(10000000- 20000000) Seal, Afmkt, Bulb, 0.50d .13grip, 05ft	1
	3	9014152	(10000000- 20000000) Kit, Tank, Recvy, W/Labels [Ss300]	1
	4	1018155	(10000000- 10762112) Screw, Pan, Phl, M5 X 0.80 X 16, Tcut,Ss	2
	5	01684	(10000000- 10762112) Washer, Flat, 0.27b 0.69d .05, Ss	4
	6	1212553	(10000000- 10762112) Strap, Retaining, Cover, 125.0l	2
▽	7	1219312	(10000000- 20000000) Fan, Vacuum, 5.7d, 024vdc, 2 Stage	1
▲		372883	(10000000- 20000000) Vr, Brush Kit, Motor, Ele (1 Pkg = 2 Pcs)	1
	8	100038	(10000000- 20000000) Gasket, .50, 02.63id 05.75od, Adh [Epdm]	1
	9	1062016	(10000000- 20000000) Isolator, Vib, .75d	3
	10	11329	(10000000- 10762112) Screw, Hex, M6 X 1.00 X 16, NI, Ss	2
	11	1207368	(10000000- 20000000) Mount, Vacfan, 5.7/6.6	1
	12	1209466	(10000000- 20000000) Hinge, 6mm Pin 2.5 73.5mmw 60.0mml, Bent	2
	13	1034731	(10000000- 20000000) Screw, Hex, M6 X 1.00 X 16, Sems, Ss	8
	14	1210807	(10000000- 20000000) Wire, Tie [W/.25" Fir Tree Clip]	1
	15	01684	(10000000- 20000000) Washer, Flat, 0.27b 0.69d .05, Ss	3
	16	11329	(10000000- 20000000) Screw, Hex, M6 X 1.00 X 16, NI, Ss	3
▽		9014279	(10762113- 20000000) Hinge, Kit, Lid, Ci, [T300]	1
▲	17	08712	(10762113- 20000000) Nut, Hex, Lock, M6 X 1.00, NI, Ss	2
▲	18	01684	(10762113- 20000000) Washer, Flat, 0.27b 0.69d .05, Ss	8
▲	19	1231213	(10762113- 20000000) Washer, Flat, 0.39b 1.00d .02, Ss	2
▲	20	1219440	(10762113- 20000000) Hinge, Goose Neck	2
▲	21	80491	(10762113- 20000000) Sleeve, P/M, 0.25b 0.38d 0.2l [430ss]	2
▲	22	07514	(10762113- 20000000) Washer, Lock, Int, 10, Ss	4
▲	23	1018155	(10762113- 20000000) Screw, Pan, Phl, M5 X 0.80 X 16, Tcut,Ss	4
▲	24	1034731	(10762113- 20000000) Screw, Hex, M6 X 1.00 X 16, Sems, Ss	4
▲	25	1219473	(10762113- 20000000) Hinge, Mount, Wldt	2
	26	1220553	(10000000- 20000000) Plate, Hinge, Doubler	1

▽ ASSEMBLY

▲ INCLUDED IN ASSEMBLY

RECOVERY TANK FILTER AND HOSE GROUP, PINCH CUFF SCREW CAP

355753



RECOVERY TANK FILTER AND HOSE GROUP, PINCH CUFF SCREW CAP

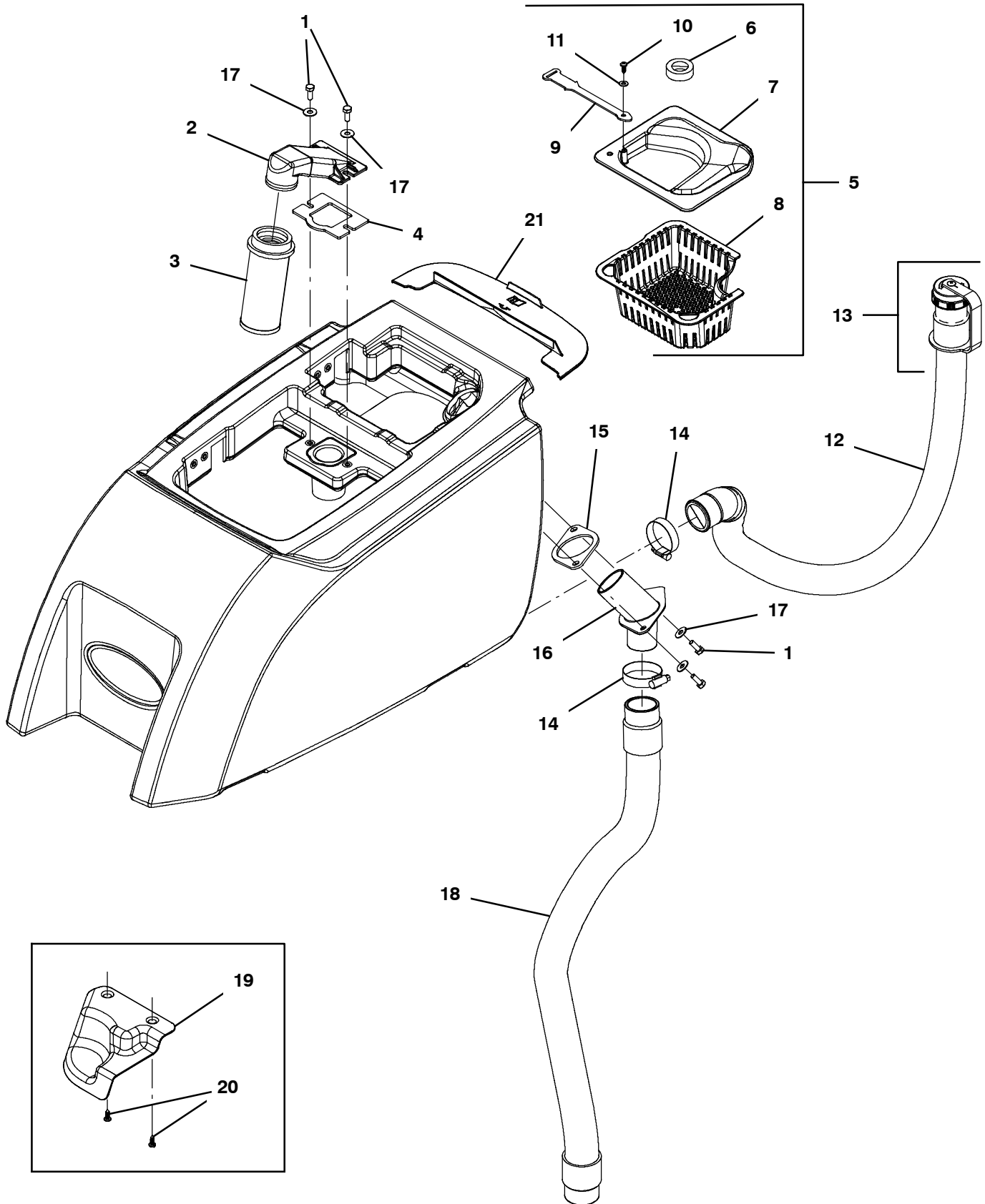
Ref.	Part No.	Serial Number	Description	Qty.
1	11329	(10000000- 20000000)	Screw, Hex, M6 X 1.00 X 16, Ni, Ss	4
2	1011777	(10000000- 20000000)	Mount, Float, Mold	1
3	630052	(10000000- 20000000)	Float, Shut- Off, (2)Ball, 1.75d	1
4	1013628	(10000000- 20000000)	Gasket, Mtg, Float, .125th, Neo, Adh	1
▽	5	9014872	(10785189- 20000000) Kit, Deflector, Tray, Debris, Ci, [T300]	1
▲	6	1225187	(10785189- 20000000) Seal, Rbr, Clsd, 12.7 Th , 24.0ld, 40.0Od	1
▲	7	1224899	(10785189- 20000000) Deflector, Tray, Debris	1
▲	8	1207357	(10000000- 20000000) Tray, Debris, Tank, Recvy [T300]	1
▲	9	1225172	(10785189- 20000000) Strap, Retaining, Deflector, 150.0L	1
▲	10	1018155	(10785189- 20000000) Screw, Pan, Phl, M5 X 0.80 X 16, Tcut,Ss	1
▲	11	01683	(10785189- 20000000) Washer, Flat, 10, Ss	1
▽	12	1251388	(10988543- 20000000) Hose Assy, Drain, 1.5id X 13.0l [Pvc] (Black - Standard)	1
▲	13	1218955	(10988543- 20000000) Cap, Drain Assy [Black]	1
▽	12	1246719	(10949064- 10988542) Hose Assy, Drain, 1.5id X 21.9l [Pu] (Gray - Option) (No Longer Available - Replaced By 1251388)	1
▲	13	1219134	(10000000- 10988542) Cap, Drain Assy [Gray]	1
14	11531	(10000000- 20000000)	Clamp, Hose, Wormdrive, 1.06- 2.00d, .56w	2
15	1037106	(10000000- 20000000)	Gasket, Adapter, Hose .13, Neo	1
16	1207196	(10000000- 20000000)	Tube, Hose, Adapter, 1.5d [T300]	1
17	01684	(10000000- 20000000)	Washer, Flat, 0.27b 0.69d .05, Ss	4
18	1211220	(10988543- 20000000)	Hose Assy,W/2cuff,1.5d 022l 1.5/1.5[Pvc] (Black - Standard)	1
18	1204663	(10000000- 10988542)	Hose Assy, W/2cuff,1.5d 031l 1.5/1.5[Pu] (Gray - Option) (No Longer Available - Replaced By 1211220 - Black Standard PVC)	1
19	9014905	(10786729- 20000000)	Cover Kit, Circuitbreaker, Ci[T300/E/Ss]	1

▽ ASSEMBLY

▲ INCLUDED IN ASSEMBLY

RECOVERY TANK FILTER AND HOSE GROUP, STANDARD SCREW CAP

355303



RECOVERY TANK FILTER AND HOSE GROUP, STANDARD SCREW CAP

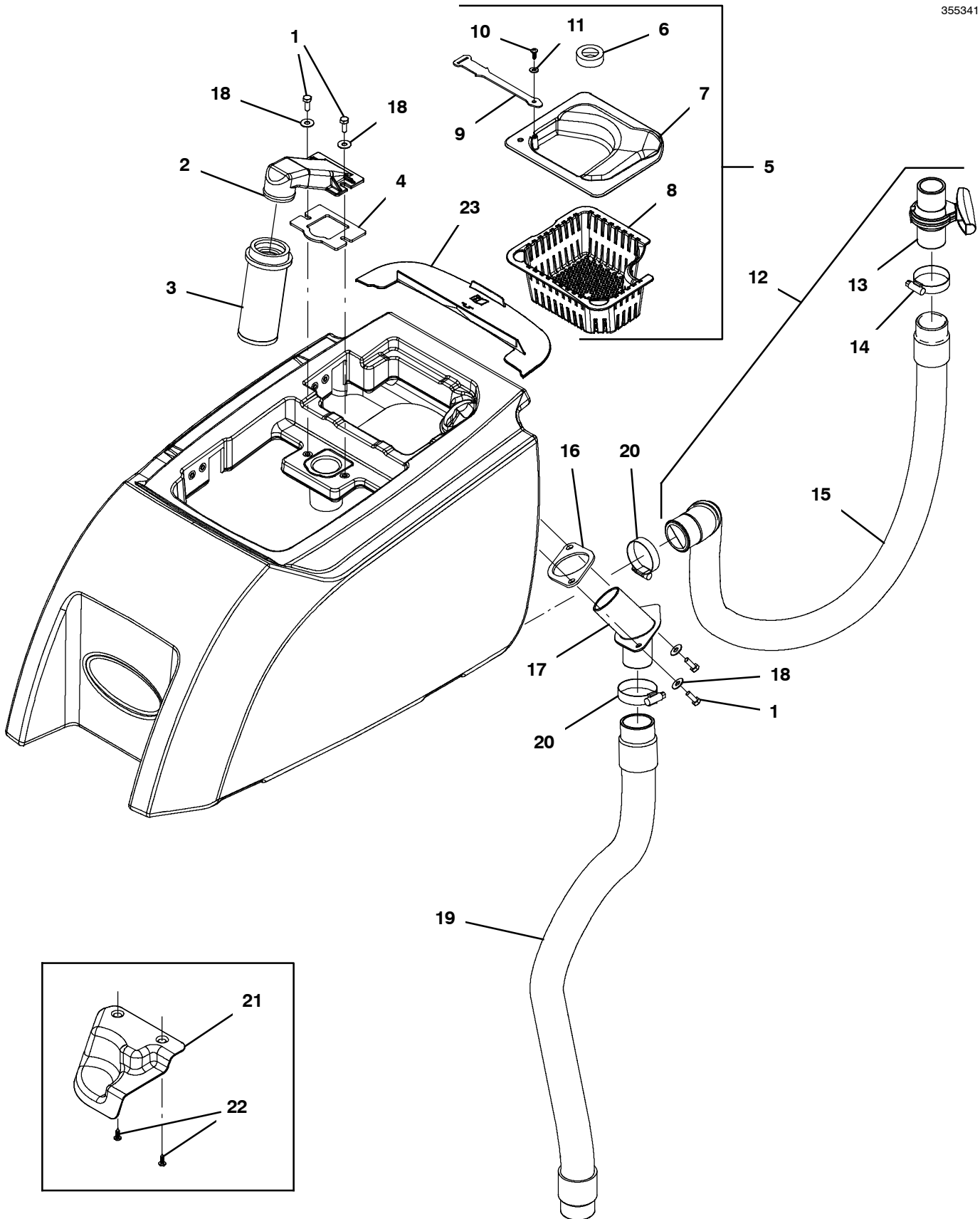
Ref.	Part No.	Serial Number	Description	Qty.
1	11329	(10000000- 20000000)	Screw, Hex, M6 X 1.00 X 16, NI, Ss	4
2	1011777	(10000000- 20000000)	Mount, Float, Mold	1
3	630052	(10000000- 20000000)	Float, Shut- Off, (2)Ball, 1.75d	1
4	1013628	(10000000- 20000000)	Gasket, Mtg, Float, .125th, Neo, Adh	1
▽	5	9014872	(10785189- 20000000) Kit, Deflector, Tray, Debris, Ci, [T300]	1
▲	6	1225187	(10785189- 20000000) Seal, Rbr, Clsd, 12.7 Th , 24.0ld, 40.0Od	1
▲	7	1224899	(10785189- 20000000) Deflector, Tray, Debris	1
▲	8	1207357	(10000000- 20000000) Tray, Debris, Tank, Recvy [T300]	1
▲	9	1225172	(10785189- 20000000) Strap, Retaining, Deflector, 150.0L	1
▲	10	1018155	(10785189- 20000000) Screw, Pan, Phl, M5 X 0.80 X 16, Tcut,Ss	1
▲	11	01683	(10785189- 20000000) Washer, Flat, 10, Ss	1
▽	12	1213010	(10000000- 10988542) Hose Assy, Drain, 1.5d 017l 1.5/Cap[Pvc] (Black - Standard) (Replaced By 1251388)	1
▲	13	1218955	(10000000- 20000000) Cap, Drain Assy [Black]	1
▽	12	1213008	(10000000- 10949063) Hose Assy, Drain, 1.5d 025l 1.5/Cap [Pu] (Gray - Option) (No Longer Available - Replaced By Black Pinch Cuff Screw Cap 1251388)	1
▲	13	1219134	(10000000- 10988542) Cap, Drain Assy [Gray]	1
14	11531	(10000000- 20000000)	Clamp, Hose, Wormdrive, 1.06- 2.00d, .56w	2
15	1037106	(10000000- 20000000)	Gasket, Adapter, Hose .13, Neo	1
16	1207196	(10000000- 20000000)	Tube, Hose, Adapter, 1.5d [T300]	1
17	01684	(10000000- 20000000)	Washer, Flat, 0.27b 0.69d .05, Ss	4
18	1211220	(10000000- 20000000)	Hose Assy,W/2cuff,1.5d 022l 1.5/1.5[Pvc] (Black - Standard)	1
18	1204663	(10000000- 10988542)	Hose Assy, W/2cuff,1.5d 031l 1.5/1.5[Pu] (Gray - Option) (No Longer Available - Replaced By 1211220 - Black Standard PVC)	1
19	1210214	(10000000- 10785188)	Deflector, Water, Recvy (Replaced By 9014872)	1
20	1018155	(10000000- 10785188)	Screw, Pan, Phl, M5 X 0.80 X 16, Tcut,Ss	2
21	9014905	(10786729- 20000000)	Cover Kit, Circuitbreaker, Ci[T300/E/Ss]	1

▽ ASSEMBLY

▲ INCLUDED IN ASSEMBLY

RECOVERY TANK FILTER AND HOSE GROUP, CONTROL VALVE

355341



RECOVERY TANK FILTER AND HOSE GROUP, CONTROL VALVE

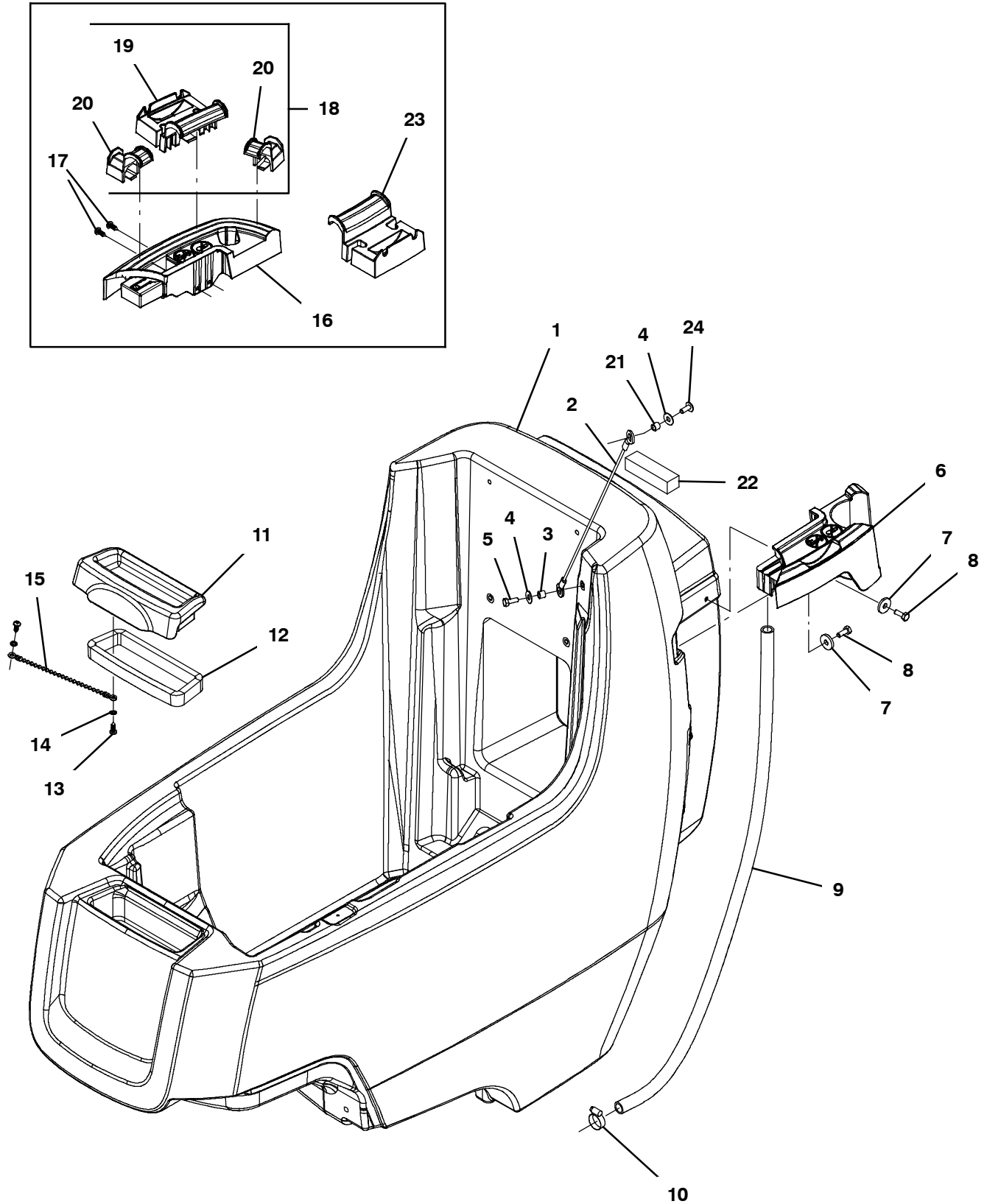
Ref.	Part No.	Serial Number	Description	Qty.
1	11329	(10000000- 20000000)	Screw, Hex, M6 X 1.00 X 16, NI, Ss	4
2	1011777	(10000000- 20000000)	Mount, Float, Mold	1
3	630052	(10000000- 20000000)	Float, Shut- Off, (2)Ball, 1.75d	1
4	1013628	(10000000- 20000000)	Gasket, Mtg, Float, .125th, Neo, Adh	1
▽	5	9014872	(10785189- 20000000) Kit, Deflector, Tray, Debris, Ci, [T300]	1
▲	6	1225187	(10785189- 20000000) Seal, Rbr, Clsd, 12.7 Th , 24.0Id, 40.0Od	1
▲	7	1224899	(10785189- 20000000) Deflector, Tray, Debris	1
▲	8	1207357	(10000000- 20000000) Tray, Debris, Tank, Recvy [T300]	1
▲	9	1225172	(10785189- 20000000) Strap, Retaining, Deflector, 150.0L	1
▲	10	1018155	(10785189- 20000000) Screw, Pan, Phl, M5 X 0.80 X 16, Tcut,Ss	1
▲	11	01683	(10785189- 20000000) Washer, Flat, 10, Ss	1
▽	12	9014171	(10000000- 10949063) Hose Assy, With Valve (Gray - Option) (No Longer Available - Replaced By Black Pinch Cuff Screw Cap 1251388)	1
▲	13	1051986	(10000000- 10949063) Valve, Ball, 2way, 1.0Id Pvc, W/Handle (No Longer Available - Replaced By Black Pinch Cuff Screw Cap 1251388)	1
▲	14	11531	(10000000- 20000000) Clamp, Hose, Wormdrive, 1.06- 2.00d, .56w	1
▲	15	1222591	(10000000- 10949063) Hose Assy, 45cuff,1.5d 021I 1.5/1.5[Pu] (No Longer Available - Replaced By Black Pinch Cuff Screw Cap 1251388)	1
16	1037106	(10000000- 20000000)	Gasket, Adapter, Hose .13, Neo	1
17	1207196	(10000000- 20000000)	Tube, Hose, Adapter, 1.5d [T300]	1
18	01684	(10000000- 20000000)	Washer, Flat, 0.27b 0.69d .05, Ss	4
19	1204663	(10000000- 10988542)	Hose Assy, W/2cuff,1.5d 031I 1.5/1.5[Pu] (Gray - Option) (No Longer Available - Replaced By 1211220 - Black PVC Standard)	1
20	11531	(10000000- 20000000)	Clamp, Hose, Wormdrive, 1.06- 2.00d, .56w	2
21	1210214	(10000000- 10785188)	Deflector, Water, Recvy	1
22	1018155	(10000000- 10785188)	Screw, Pan, Phl, M5 X 0.80 X 16, Tcut,Ss	2
23	9014905	(10786729- 20000000)	Cover Kit, Circuitbreaker, Ci[T300/E/Ss]	1

▽ ASSEMBLY

▲ INCLUDED IN ASSEMBLY

SOLUTION TANK GROUP

355304



SOLUTION TANK GROUP

Ref.	Part No.	Serial Number	Description	Qty.
1	9014157	(10000000- 20000000)	Kit, Tank, Soltn, [Ss300]	1
2	391368	(10000000- 20000000)	Cable, Glv .09d 016.5l .38eye /.38eye	1
3	140154	(10000000- 20000000)	Sleeve, P/M, 0.25b 0.38d 0.3l, PI	1
4	01684	(10000000- 20000000)	Washer, Flat, 0.27b 0.69d .05, Ss	2
5	12277	(10000000- 20000000)	Screw, Hex, M6 X 1.00 X 20, NI, Ss	1
6	1214264	(10000000- 20000000)	Tray, Accssry, Lh, 16mm Screw	1
7	140053	(10000000- 20000000)	Washer, Flat, 0.28b 0.88d .12, Ss	2
8	11329	(10000000- 20000000)	Screw, Hex, M6 X 1.00 X 16, NI, Ss	2
9	20778	(10000000- 20000000)	Hose, Pvc, Clr, 0.50id 0.69od 030.0l	1
10	54333	(10000000- 20000000)	Clamp, Hose, Wormdrive, 0.31- 0.88d, .31w	1
11	9014158	(10000000- 20000000)	Kit, Cvr, Fill, W/ Ech20, Ci [Na/Jp]	1
11	9014410	(10000000- 20000000)	Kit, Cvr, Fill, Ci [Na/Jp]	1
12	1046428	(10000000- 20000000)	Seal, Afmkt, Rbr, Clsd, Adh, 02ft	1
13	1018155	(10000000- 20000000)	Screw, Pan, Phl, M5 X 0.80 X 16, Tcut,Ss	2
14	07514	(10000000- 20000000)	Washer, Lock, Int, 10, Ss	2
15	621443	(10000000- 20000000)	Chain, Ball, 10, 0157mml, Ss	1
16	1214249	(10000000- 10809548)	Tray, Accssry, Rh, 16mm Screw (Option - No Longer Available)	1
17	1018155	(10000000- 10809548)	Screw, Pan, Phl, M5 X 0.80 X 16, Tcut,Ss	2
▽	18	9013845	Clip Kit, Rail, [T300/T300e/Ss300] (Option - No Longer Available)	1
▲	19	1214292	Bracket, Hanger, Rail, Lrg (Option - No Longer Available)	1
▲	20	1214291	Bracket, Hanger, Rail, Small (Option - No Longer Available)	2
	21	80491	Sleeve, P/M, 0.25b 0.38d 0.2l [430ss]	1
	22	1229734	Seal, Neo, 0.88, 1.00w 3.6l Adh	1
	23	1214292	Bracket, Hanger, Rail, Lrg (Option)	1
	24	1202143	Screw, Trs, M6 X 1.00 X 16, Phl, NI, Blk	1

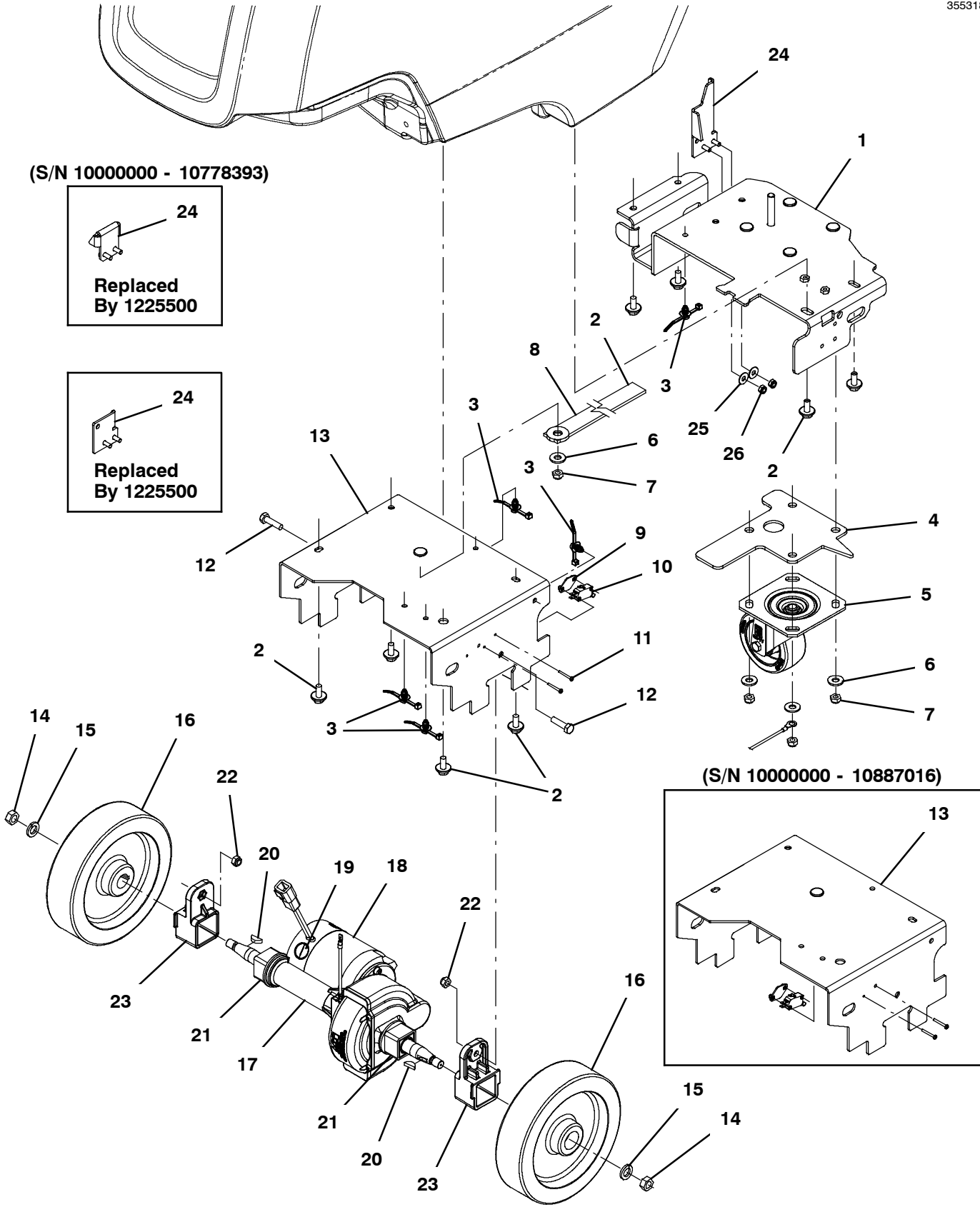
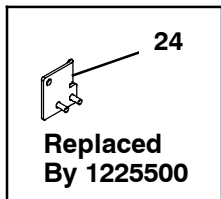
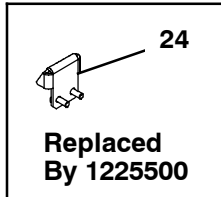
▽ ASSEMBLY

▲ INCLUDED IN ASSEMBLY

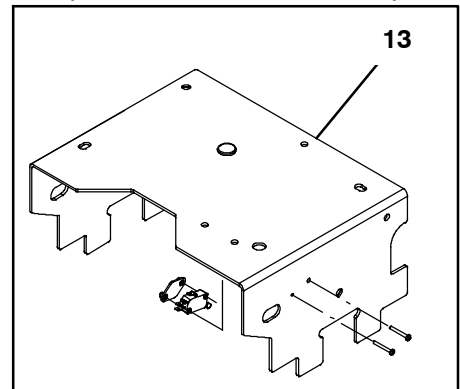
FRAME GROUP, PROPEL MODEL

355318

(S/N 1000000 - 10778393)



(S/N 1000000 - 10887016)



FRAME GROUP, PROPEL MODEL

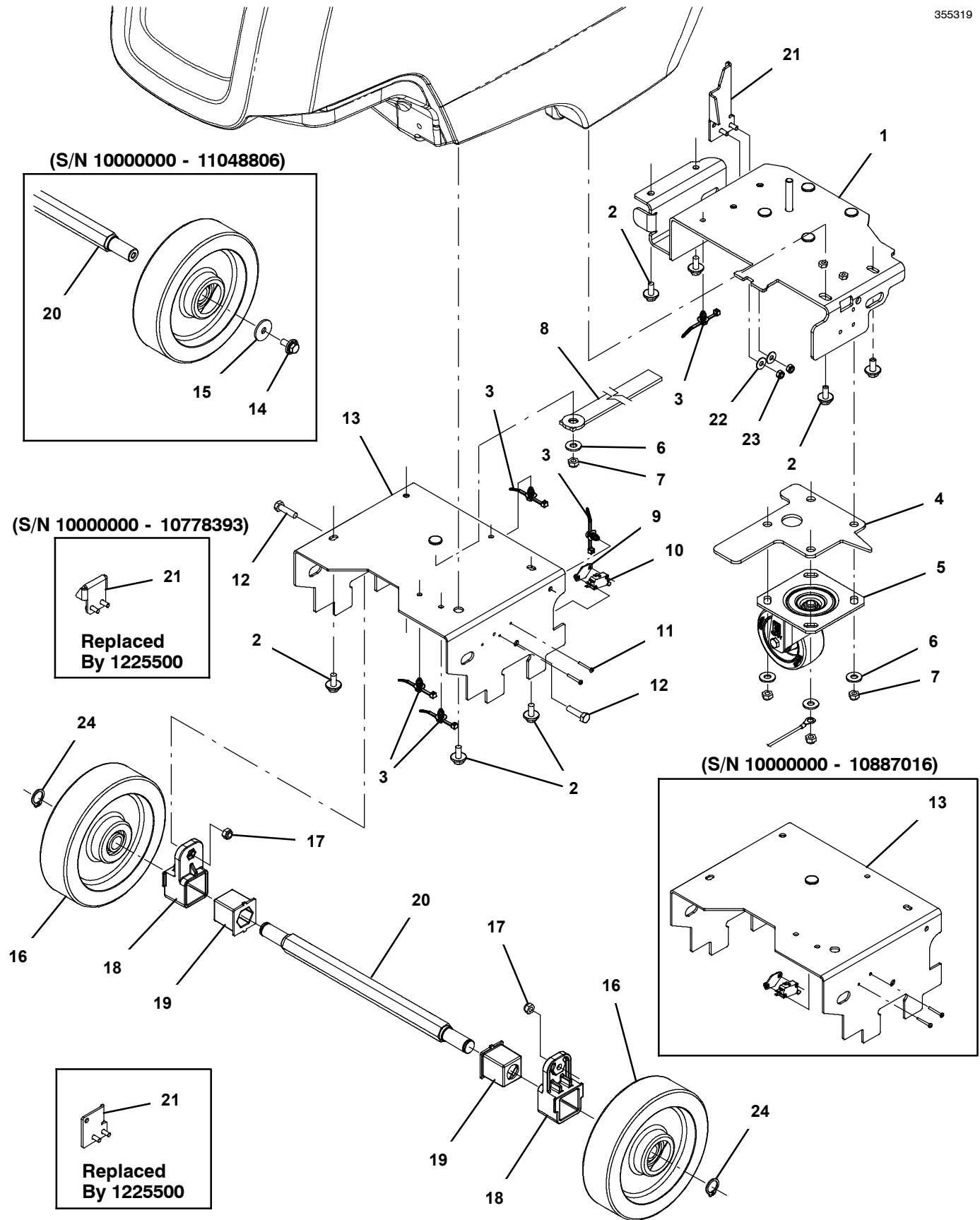
Ref.	Part No.	Serial Number	Description	Qty.	
1	1208498	(10000000- 20000000)	Frame Wldt, Rear	1	
2	1020341	(10000000- 20000000)	Screw, Hex, M8 X 1.25 X 20, Ss, Sems	8	
3	1210807	(10000000- 20000000)	Wire, Tie [W/.25" Fir Tree Clip]	5	
4	1215093	(10000000- 20000000)	Spacer, Caster	1	
5	1212422	(10000000- 20000000)	Caster, Swivel [Wicke 224051]	1	
6	01685	(10000000- 20000000)	Washer, Flat, 0.38b 0.88d .08, Ss	5	
7	08713	(10000000- 20000000)	Nut, Hex, Lock, M8 X 1.25, NI, Ss	5	
8	71579	(10000000- 20000000)	Strap, Static, W/Grommet, .19 1.1w 25.0l	1	
9	1013705	(10000000- 20000000)	Plate, Thread, Switch, M3 Nut, 96hr PI	1	
10	1215716	(10000000- 20000000)	Switch, 0.1a, Spdt[Micro, Gold Contacts]	1	
11	33933	(10000000- 20000000)	Screw, Pan, Phl, M3 X 0.50 X 25, Ss	2	
12	09011	(10000000- 20000000)	Screw, Hex, M8 X 1.25 X 30, Ss	2	
13	1234032	(10887017- 20000000)	Frame Wldt, Front	1	
13	1211968	(10000000- 10887016)	Frame Wldt, Front	1	
14	09741	(10000000- 20000000)	Nut, Hex, Lock, M12 X 1.75, NI, Ss	2	
15	140058	(10000000- 20000000)	Washer, Flat, 0.54b 0.88d .06, Ss [Wand]	2	
16	1223582	(10000000- 20000000)	Wheel, Scrbr, 8.00d, W/ Taper	2	
▽	17	1209779	(10000000- 20000000)	Transaxle, Ele, 24vdc, 112rpm [Asi]	1
▲		1017782	(10000000- 20000000)	Coupling Kit, Transaxle, Replmt [11057]	1
▲▽	18	1216386	(10000000- 20000000)	Motor, Transaxle, 24vdc, Replmt [UI, Ce]	1
▲▲	19	1212351	(10000000- 20000000)	Brush Kit, Carbon, Transaxle, UI (1 Kit = 4 Pcs)	1
▲	20	1021167	(10000000- 20000000)	Key, Woodruff, 5mm	2
▲	21	612880	(10000000- 20000000)	Joint, Transaxle, Replmt	2
	22	08713	(10000000- 20000000)	Nut, Hex, Lock, M8 X 1.25, NI, Ss	2
	23	1028292	(10000000- 20000000)	Adapter, Mtg, Axle, Alm [T3]	2
	24	1225500	(JAN2020- 20000000)	Bracket Wldt, Latch, Lift, PI [T300]	1
	24	1223078	(10778394- DEC2019)	Bracket Wldt, Latch (Replaced By 1225500)	1
	24	1013946	(10000000- 10778393)	Bracket, Locking, Pedal, Foot (Replaced By 9014788)	1
	25	01684	(10000000- 20000000)	Washer, Flat, 0.27b 0.69d .05, Ss	2
	26	08712	(10000000- 20000000)	Nut, Hex, Lock, M6 X 1.00, NI, Ss	2

▽ ASSEMBLY

▲ INCLUDED IN ASSEMBLY

FRAME GROUP, PUSH MODEL

355319

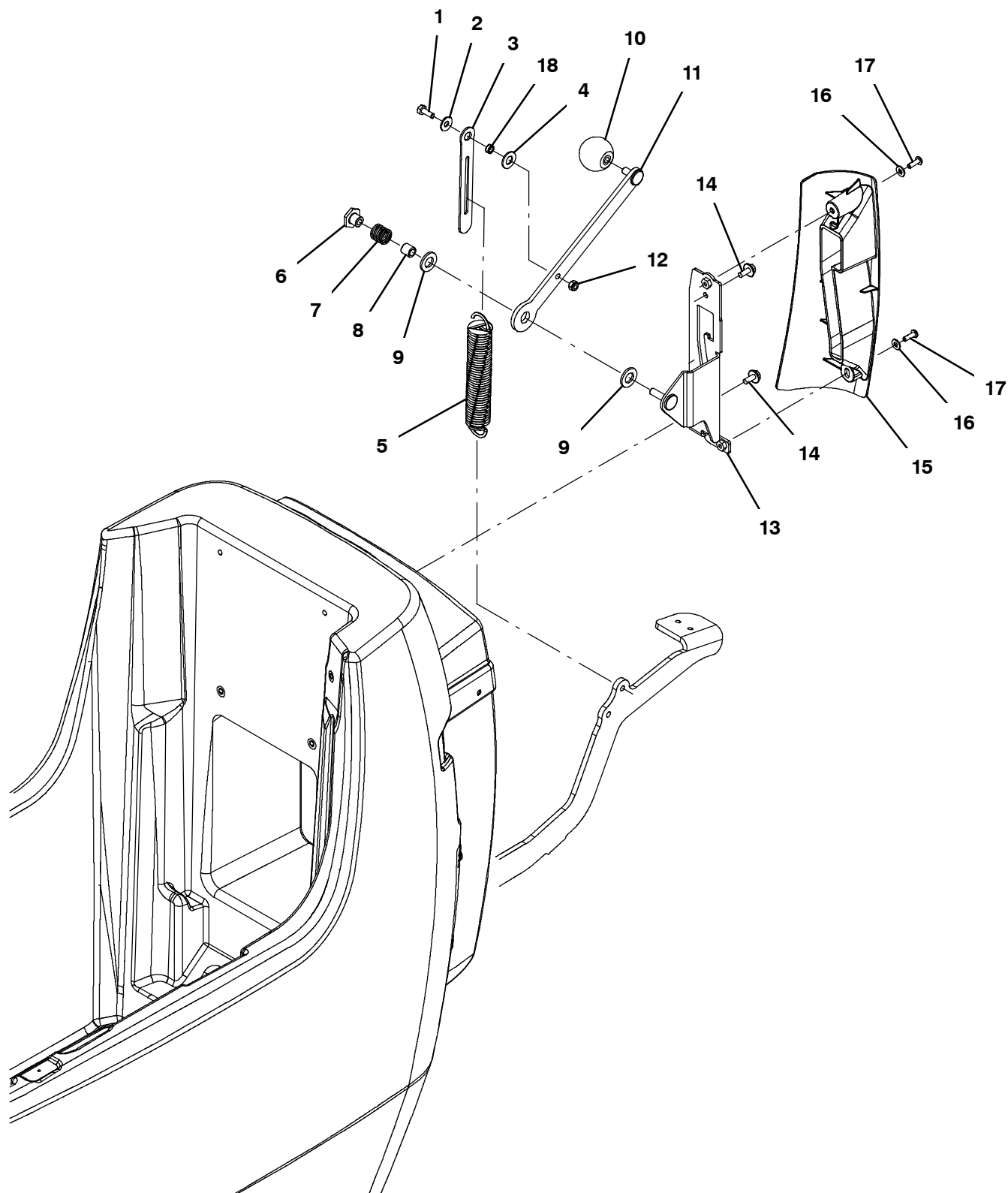


FRAME GROUP, PUSH MODEL

Ref.	Part No.	Serial Number	Description	Qty.
1	1208498	(10000000- 20000000)	Frame Wldt, Rear	1
2	1020341	(10000000- 20000000)	Screw, Hex, M8 X 1.25 X 20, Ss, Sems	8
3	1210807	(10000000- 20000000)	Wire, Tie [W/.25" Fir Tree Clip]	5
4	1215093	(10000000- 20000000)	Spacer, Caster	1
5	1212422	(10000000- 20000000)	Caster, Swivel [Wicke 224051]	1
6	01685	(10000000- 20000000)	Washer, Flat, 0.38b 0.88d .08, Ss	5
7	08713	(10000000- 20000000)	Nut, Hex, Lock, M8 X 1.25, NI, Ss	5
8	71579	(10000000- 20000000)	Strap, Static, W/Grommet, .19 1.1w 25.0l	1
9	1013705	(10000000- 20000000)	Plate, Thread, Switch, M3 Nut, 96hr PI	1
10	1215716	(10000000- 20000000)	Switch, 0.1a, Spdt[Micro, Gold Contacts]	1
11	33933	(10000000- 20000000)	Screw, Pan, Phl, M3 X 0.50 X 25, Ss	2
12	09011	(10000000- 20000000)	Screw, Hex, M8 X 1.25 X 30, Ss	2
13	1234032	(10887017- 20000000)	Frame Wldt, Front	1
13	1211968	(10000000- 10887016)	Frame Wldt, Front	1
14	1020341	(10000000- 11048806)	Screw, Hex, M8 X 1.25 X 20, Ss, Sems	2
15	1016331	(10000000- 11048806)	Washer, Flat, 0.34b 1.25d .11, Ss	2
16	1223724	(10000000- 20000000)	Wheel, Scrbr, 8.00d, W/ Brg	2
17	08713	(10000000- 20000000)	Nut, Hex, Lock, M8 X 1.25, NI, Ss	2
18	1028292	(10000000- 20000000)	Adapter, Mtg, Axle, Alm [T3]	2
19	1028381	(10000000- 20000000)	Grommet, Axle [Tpu, T3 Push]	2
20	1257946	(11048807- 20000000)	Axle, Wheel, Hex	1
20	1028382	(10000000- 11048806)	Axle, Wheel, Hex, Clr Zn [T3 Push] (Replaced By 1257946 And Qty 2 of 1025121)	1
21	1225500	(JAN2020- 20000000)	Bracket Wldt, Latch, Lift, PI [T300]	1
21	1223078	(10778394- DEC2019)	Bracket Wldt, Latch (Replaced By 1225500)	1
21	1013946	(10000000- 10778393)	Bracket, Locking, Pedal, Foot (Replaced By 9014788)	1
22	01684	(10000000- 20000000)	Washer, Flat, 0.27b 0.69d .05, Ss	2
23	08712	(10000000- 20000000)	Nut, Hex, Lock, M6 X 1.00, NI, Ss	2
24	1025121	(11048807- 20000000)	Ring, Retaining, Shaft, Ext, 20mmd, Hd	2

MANUAL DOWN PRESSURE GROUP

355283

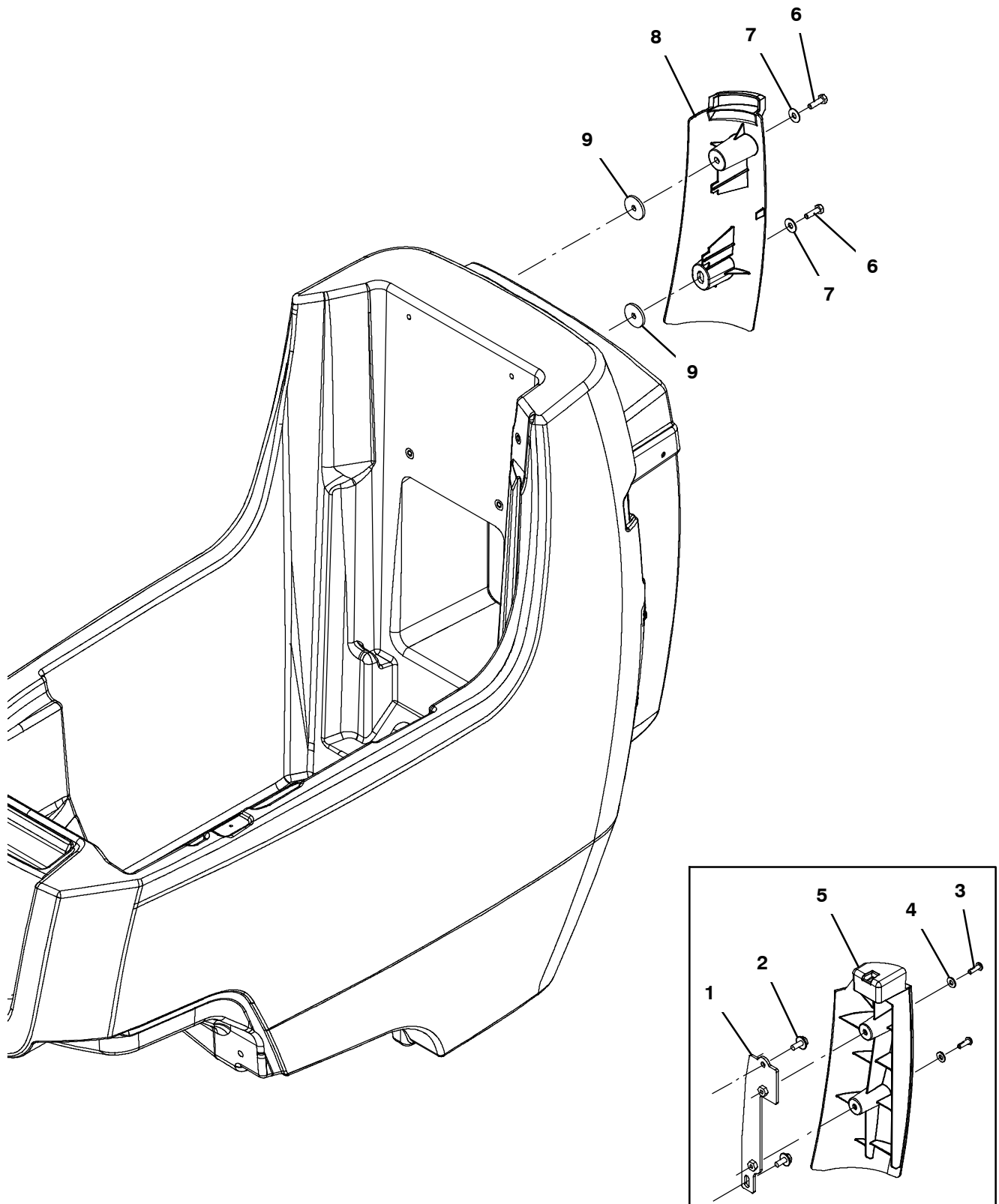


MANUAL DOWN PRESSURE GROUP

Ref.	Part No.	Serial Number	Description	Qty.
1	11329	(10000000- 20000000)	Screw, Hex, M6 X 1.00 X 16, NI, Ss	1
2	01684	(10000000- 20000000)	Washer, Flat, 0.27b 0.69d .05, Ss	1
3	1213745	(10000000- 20000000)	Plate, Link	1
4	20536	(10000000- 20000000)	Washer, Flat, 0.45b 1.19d .06, Nyl	1
5	1216611	(10000000- 20000000)	Spring, Extn, 1.14od, 0.13wir, 6.5l (Disk & Orbital Models)	1
5	1216677	(10000000- 20000000)	Spring, Extn, 1.08od, 0.09wir, 6.5l (Cylindrical Model)	1
6	1018181	(10000000- 20000000)	Nut, T, M8 X 1.25 X 0.50od X 0.4l	1
7	1018756	(10000000- 20000000)	Spring, Cmpr, 0.70od .08wir 00.7l, Pl,Mw	1
8	222460	(10000000- 20000000)	Sleeve, P/M, 0.32b 0.50d 0.5l [430ss]	1
9	1013936	(10000000- 20000000)	Washer, Flat, 0.51b 0.94d .10, Nyl	2
10	1017156	(10000000- 20000000)	Knob, Ball, M8 Insert, 40mmd, Plstc	1
11	1210591	(10000000- 20000000)	Lever Wldt, Down Pressure, Mnl	1
12	08712	(10000000- 20000000)	Nut, Hex, Lock, M6 X 1.00, NI, Ss	1
13	1210597	(10000000- 20000000)	Bracket Wldt, Down Press, Mnl	1
14	1034731	(10000000- 20000000)	Screw, Hex, M6 X 1.00 X 16, Sems, Ss	2
15	1209371	(10000000- 20000000)	Cover, Lever Assy, Down- Press	1
16	01683	(10000000- 20000000)	Washer, Flat, 10, Ss	2
17	1205799	(10000000- 20000000)	Screw, Btn, M5 X 0.8 X 16, 8.8, NI, Torx	2
18	80491	(10000000- 20000000)	Sleeve, P/M, 0.25b 0.38d 0.2l [430ss]	1

SINGLE DOWN PRESSURE GROUP

355284

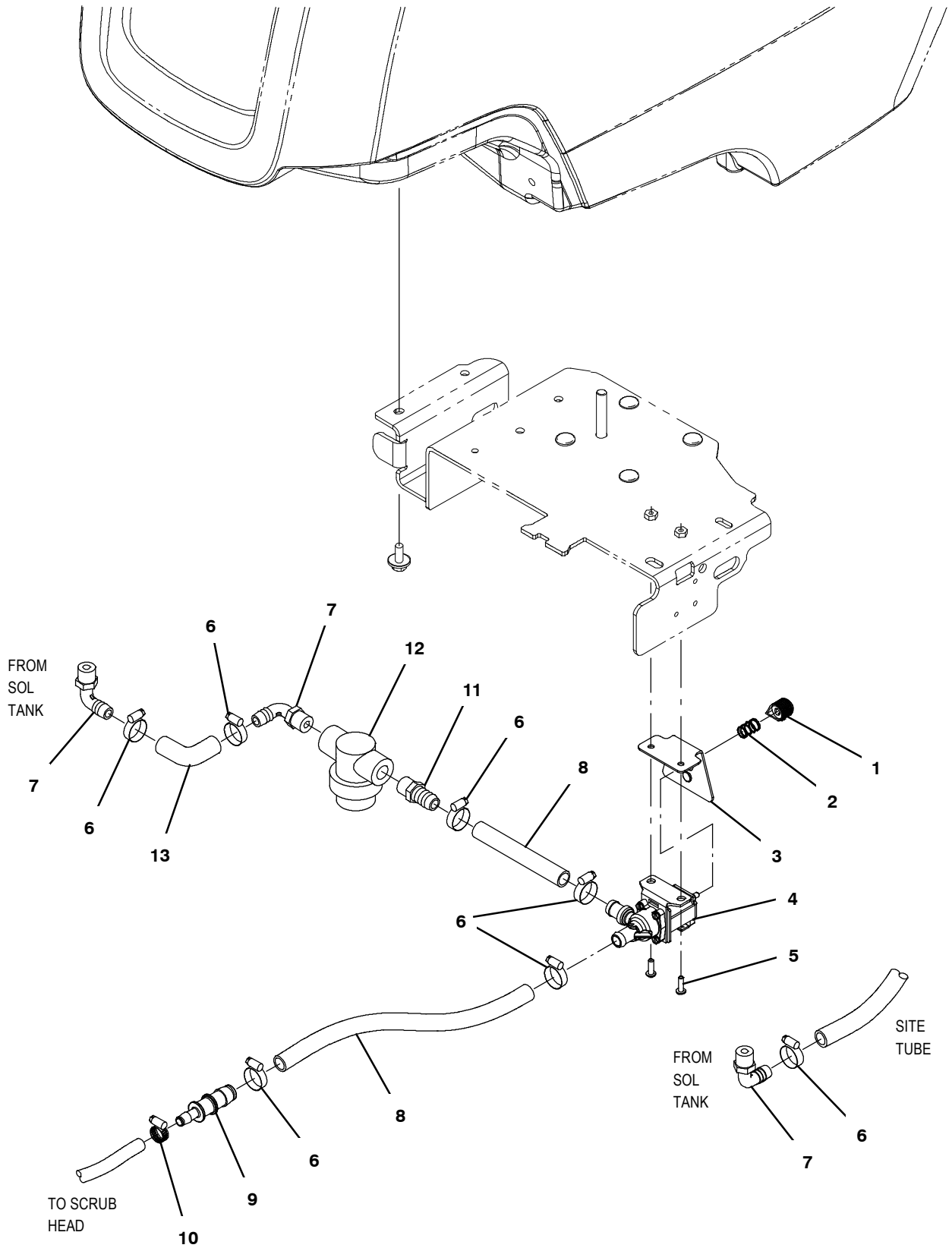


SINGLE DOWN PRESSURE GROUP

Ref.	Part No.	Serial Number	Description	Qty.
1	1214330	(10000000- 10809548)	Bracket Wldt, Mtg, Cover	1
2	1034731	(10000000- 10809548)	Screw, Hex, M6 X 1.00 X 16, Sems, Ss	2
3	1205799	(10000000- 10809548)	Screw, Btn, M5 X 0.8 X 16, 8.8, NI, Torx	2
4	01683	(10000000- 10809548)	Washer, Flat, 10, Ss	2
5	1212336	(10000000- 10809548)	Cover, Pulley Assy, Down- Press	1
6	12277	(10809549- 20000000)	Screw, Hex, M6 X 1.00 X 20, NI, Ss	2
7	01684	(10809549- 20000000)	Washer, Flat, 0.27b 0.69d .05, Ss	2
8	1224289	(10809549- 20000000)	Cover, Tank, Rh, [T300/E/Ss]	1
9	1225843	(10809549- 20000000)	Washer, Flat, M6 X 3 X 30, Retain, Nyl	2

SOLUTION GROUP, BASE MODEL (S/N 11009738 -)
(NEW BARB CONNECTOR STYLE)

355831



SOLUTION GROUP, BASE MODEL (S/N 11009738 -)
(NEW BARB CONNECTOR STYLE)

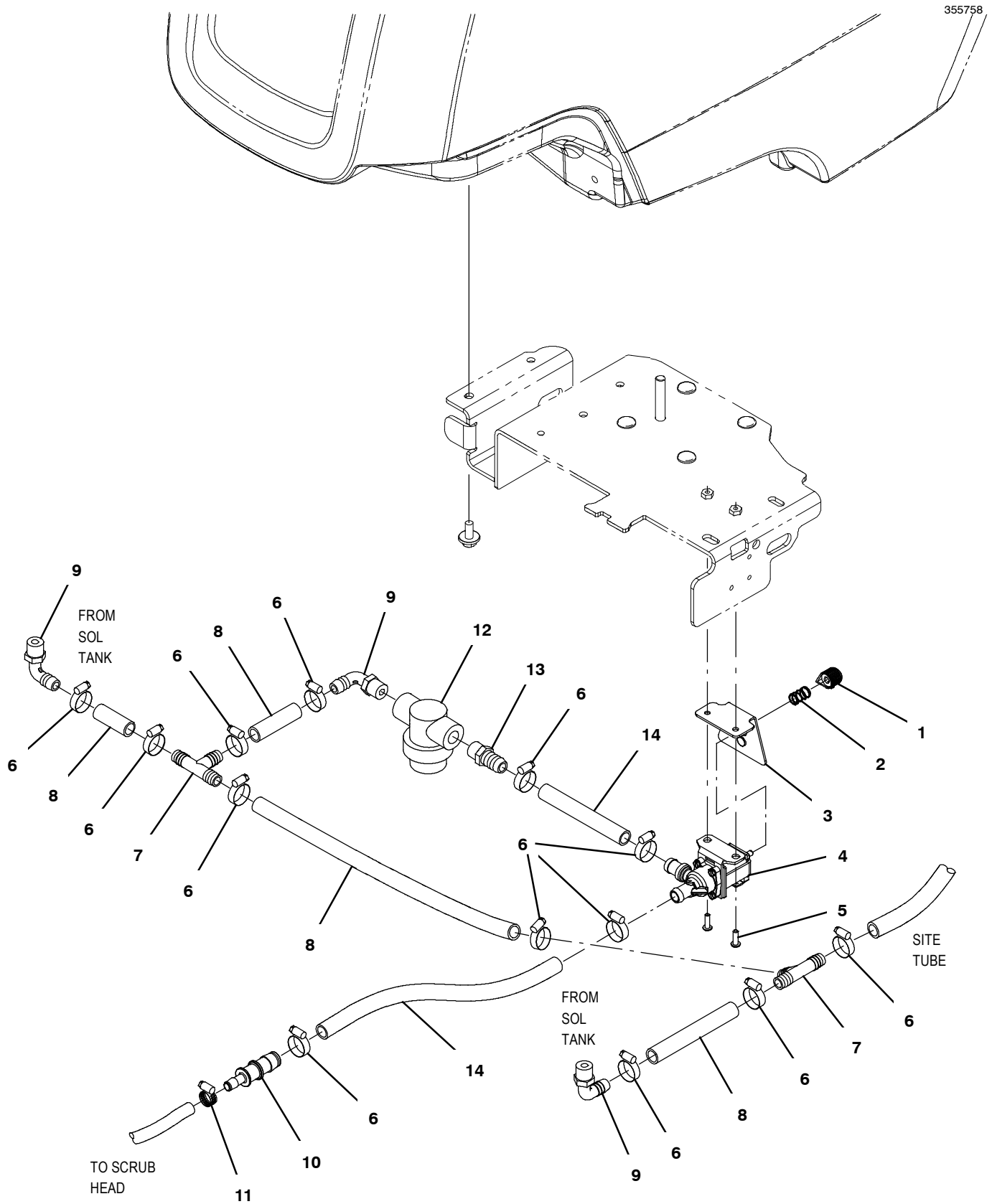
Ref.	Part No.	Serial Number	Description	Qty.	
1	1013442	(10000000- 20000000)	Knob, Valve, 0.70d 0.61l, 0.21b	1	
2	1017091	(10000000- 20000000)	Spring, Cmpr, 0.50od .04wir 00.8l	1	
3	1210041	(10000000- 20000000)	Bracket Wldt, Mtg, Valve, Soltn	1	
4	1213803	(10978344- 20000000)	Valve, Water, Solenoid, 24vdc, Bm10/Bm10	1	
5	1205799	(10000000- 20000000)	Screw, Btn, M5 X 0.8 X 16, 8.8, NI, Torx	2	
6	54333	(11009738- 20000000)	Clamp, Hose, Wormdrive, 0.31- 0.88d, .31w	7	
7	64778	(10978344- 20000000)	Fitting, Plstc, E90, Bm08/Pm06	3	
8	1035355	(10978344- 20000000)	Hose, Afrmkt, Pvc, Clr, 0.62id, 02ft	1	
9	1243167	(10978344- 20000000)	Fitting, Plstc, Str, Bm06/Bm10	1	
10	43844	(10978344- 20000000)	Clamp, Hose, Wormdrive, 0.25- 0.62d, .31w	1	
11	1013900	(10978344- 20000000)	Fitting, Plstc, Str, Bm10/Pm06, Nyl	1	
▽	12	1211537	(10000000- 20000000)	Filter, In- Line, Pf06/Pf06 080m 2.6l Epd	1
▲		1218885	(10000000- 20000000)	Gasket [Epdm, F/1211537]	1
▲		1218883	(10000000- 20000000)	Screen, Fltr, 80 Mesh, Ss [W/ Cage]	1
▲		613991	(10000000- 20000000)	Bowl, Clr, Short, F/1005302	1
13	1048278	(11009738- 20000000)	Hose, Pvc, Clr, E90 0.63id 0.75od	1	

▽ ASSEMBLY

▲ INCLUDED IN ASSEMBLY

STANDARD PARTS

SOLUTION GROUP, BASE MODEL (S/N 10978344 - 11009737) (NEW BARB CONNECTOR STYLE)



**SOLUTION GROUP, BASE MODEL (S/N 10978344 - 11009737)
(NEW BARB CONNECTOR STYLE)**

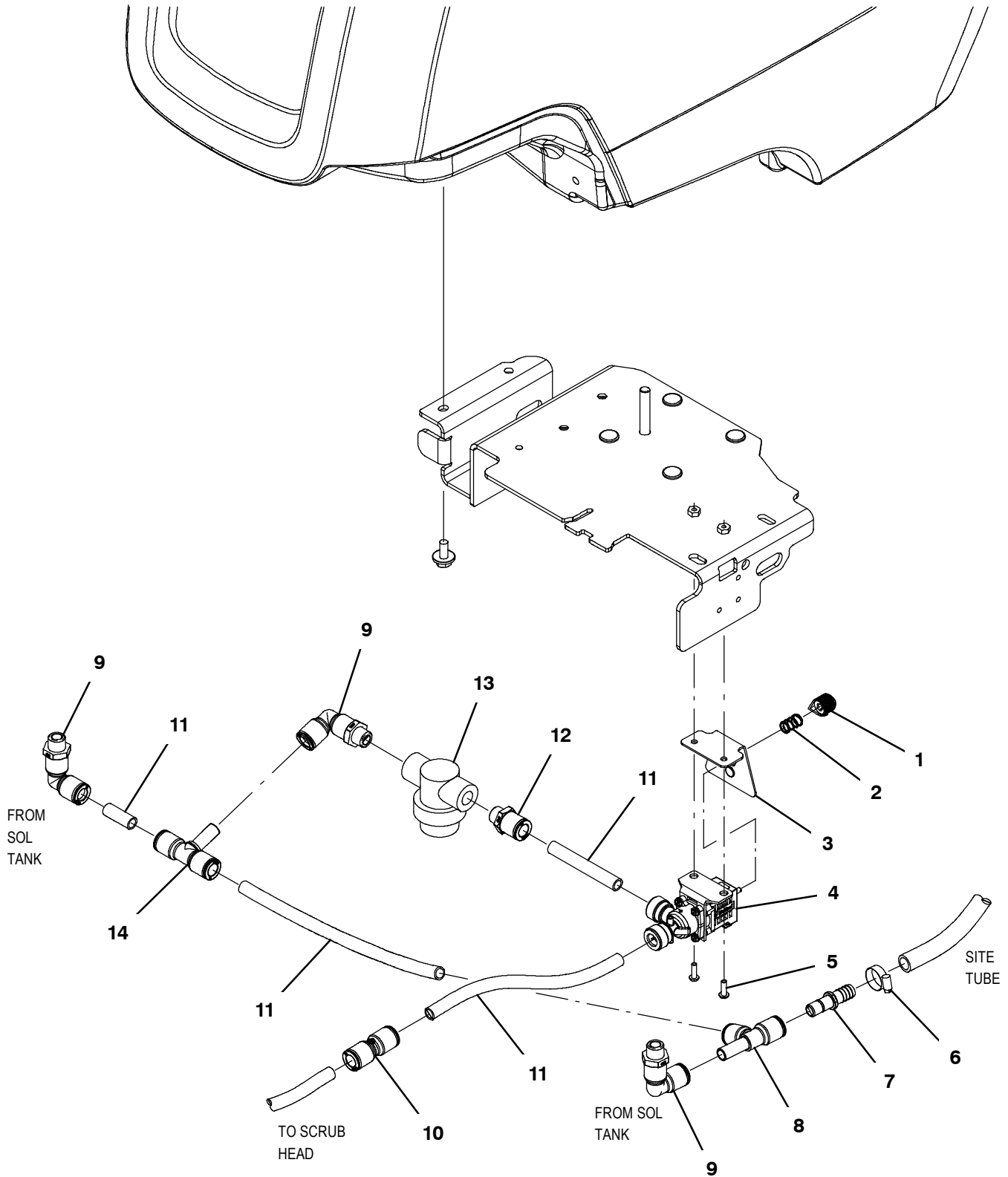
Ref.	Part No.	Serial Number	Description	Qty.	
1	1013442	(10000000- 20000000)	Knob, Valve, 0.70d 0.61l, 0.21b	1	
2	1017091	(10000000- 20000000)	Spring, Cmpr, 0.50od .04wir 00.8l	1	
3	1210041	(10000000- 20000000)	Bracket Wldt, Mtg, Valve, Soltn	1	
4	1213803	(10978344- 20000000)	Valve, Water, Solenoid, 24vdc, Bm10/Bm10	1	
5	1205799	(10000000- 20000000)	Screw, Btn, M5 X 0.8 X 16, 8.8, NI, Torx	2	
6	54333	(10978344- 11009737)	Clamp, Hose, Wormdrive, 0.31- 0.88d, .31w	13	
7	63245- 1	(10978344- 11009737)	Fitting, Plstc, Tee, Bm08/Bm08/Bm08	2	
8	1015068	(10978344- 11009737)	Hose, Afrmkt, Pvc, Clr, 0.50id, 03ft	1	
9	64778	(10978344- 20000000)	Fitting, Plstc, E90, Bm08/Pm06	3	
10	1243167	(10978344- 20000000)	Fitting, Plstc, Str, Bm06/Bm10	1	
11	43844	(10978344- 20000000)	Clamp, Hose, Wormdrive, 0.25- 0.62d, .31w	1	
▽	12	1211537	(10000000- 20000000)	Filter, In- Line, Pf06/Pf06 080m 2.6l Epd	1
▲		1218885	(10000000- 20000000)	Gasket [Epdm, F/1211537]	1
▲		1218883	(10000000- 20000000)	Screen, Fltr, 80 Mesh, Ss [W/ Cage]	1
▲		613991	(10000000- 20000000)	Bowl, Clr, Short, F/1005302	1
13	1013900	(10978344- 20000000)	Fitting, Plstc, Str, Bm10/Pm06, Nyl	1	
14	1035355	(10978344- 20000000)	Hose, Afrmkt, Pvc, Clr, 0.62id, 02ft	1	

▽ ASSEMBLY

▲ INCLUDED IN ASSEMBLY

SOLUTION GROUP, BASE MODEL
(ORIGINAL PUSH QUICK CONNECTOR STYLE)

355307



**SOLUTION GROUP, BASE MODEL
(ORIGINAL PUSH QUICK CONNECTOR STYLE)**

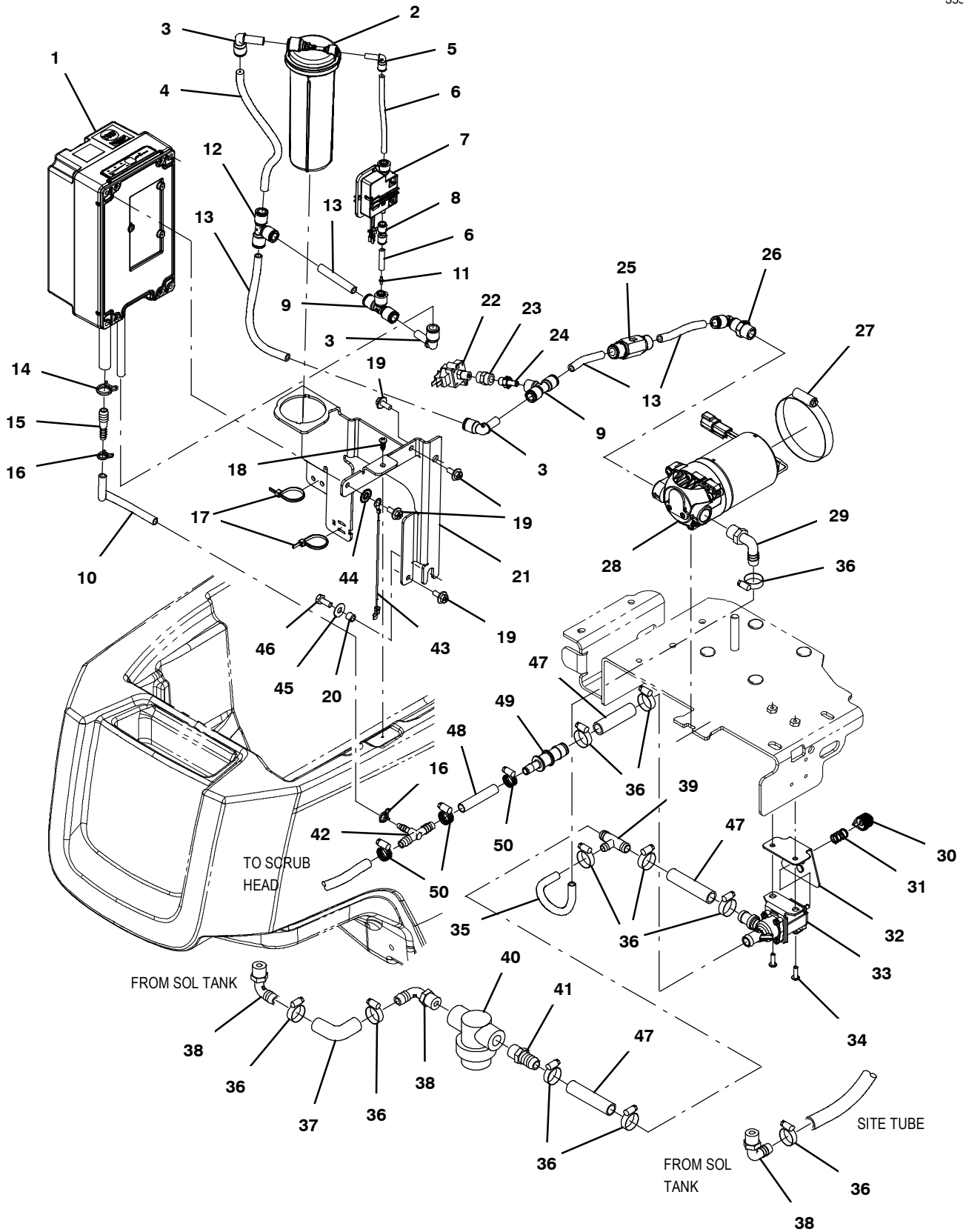
Ref.	Part No.	Serial Number	Description	Qty.	
1	1013442	(10000000- 20000000)	Knob, Valve, 0.70d 0.61l, 0.21b	1	
2	1017091	(10000000- 20000000)	Spring, Cmpr, 0.50od .04wir 00.8l	1	
3	1210041	(10000000- 20000000)	Bracket Wldt, Mtg, Valve, Soltn	1	
4	1211423	(10000000- 10978343)	Valve, Water, Solenoid, 24vdc Qf08/Qf08	1	
5	1205799	(10000000- 20000000)	Screw, Btn, M5 X 0.8 X 16, 8.8, NI, Torx	2	
6	54333	(10000000- 10978343)	Clamp, Hose, Wormdrive, 0.31- 0.88d, .31w	1	
7	1212807	(10000000- 10978343)	Fitting, Plstc, Str, Qm08/Bm08	1	
8	1212806	(10000000- 10978343)	Fitting, Plstc, Tee, Qf08/Qf08/Qm08	1	
9	1212987	(10000000- 10978343)	Fitting, Plstc, E90, Qf08/Pm06, Swivel	3	
10	1212859	(10000000- 10978343)	Fitting, Plstc, Str, Qf08/Qf08	1	
11	9014145	(10000000- 10978343)	Hose, Afmkt, Pe, .375id .50od, 05ft	1	
12	1212813	(10000000- 10978343)	Fitting, Plstc, Str, Qf08/Pm06	1	
▽	13	1211537	(10000000- 20000000)	Filter, In- Line, Pf06/Pf06 080m 2.6l Epd	1
▲		1218885	(10000000- 20000000)	Gasket [Epdm, F/1211537]	1
▲		1218883	(10000000- 20000000)	Screen, Fltr, 80 Mesh, Ss [W/ Cage]	1
▲		613991	(10000000- 20000000)	Bowl, Clr, Short, F/1005302	1
14	1212810	(10000000- 10978343)	Fitting, Plstc, Tee, Qm08/Qf08/Qf08	1	

▽ ASSEMBLY

▲ INCLUDED IN ASSEMBLY

SOLUTION GROUP, BASE MODEL ec-H2O (S/N 11009738 -)
 (NEW BARB CONNECTOR STYLE)

355833



**SOLUTION GROUP, BASE MODEL ec- H2O (S/N 11009738 -)
(NEW BARB CONNECTOR STYLE)**

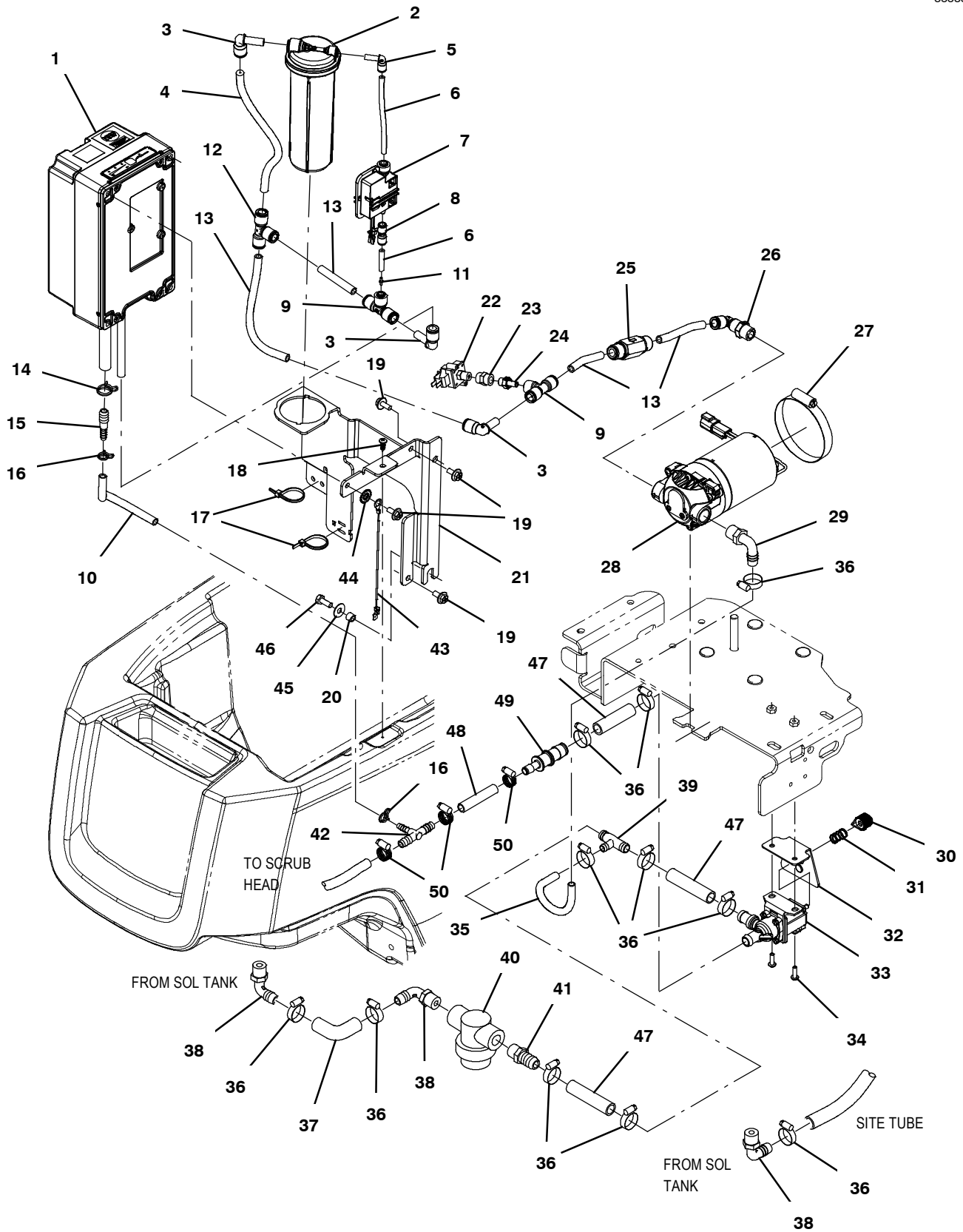
Ref.	Part No.	Serial Number	Description	Qty.
∇	1	9021553	(SEP2022- 20000000) Module Kit, Replmt [Ec- H2o, B 02] (See Breakdowns)	1
∇	1	9020643	(10998060- AUG2022) Module Kit, Replmt [Ec- H2o, B 02] (See Breakdowns) (Replaced By 9021553)	1
▲	2	9013646	(10000000- 20000000) Cartridge, Ec- H2o Nanoclean Wcm, 270ml	1
	3	1215186	(10000000- 20000000) Fitting, Plstc, E90, Qf06/Qm06	1
	4	9014146	(10000000- 20000000) Hose, Afmkt, Pvc, 0.06id .38od, 05ft	1
	5	1214339	(10000000- 20000000) Fitting, Plstc, E90, Qfo4/Qm04	1
	6	9014147	(10000000- 20000000) Hose, Afmkt, Pvc, 0.06id .25od, 05ft	1
	7	1216973	(10000000- 20000000) Pump Assy, Dispenser	1
	8	1218192	(10000000- 20000000) Fitting, Plstc, Str, Qf04/Qf04	1
	9	1212855	(10000000- 20000000) Fitting, Plstc, Tee, Qf04/Qf06/Qf06	2
	10	1006415	(10000000- 20000000) Hose, Afmkt, Pvc, Clr, 0.25id, 03ft	1
	11	1214972	(10000000- 20000000) Fitting, Orifice, Str, Bm01/Bm01	1
	12	1212573	(10000000- 20000000) Fitting, Plstc, Tee, Qf06/Qf06/Qf06	1
	13	9014148	(10000000- 20000000) Hose, Afmkt, Nat, 0.25id 0.375od, 06ft	1
	14	607775	(10000000- 20000000) Clamp, Hose, Wir, .63 - .66, Blk	4
	15	1039557	(10000000- 20000000) Fitting, Plstc, Str, Bm04/Bm06	1
	16	613735	(10000000- 20000000) Clamp, Hose, Wir, .40 - .42, Yel	2
	17	130773	(10000000- 20000000) Tie, Cable, Nyl, 11.0l, .14w, 3.0 Max. D	2
	18	1018155	(10000000- 20000000) Screw, Pan, Phl, M5 X 0.80 X 16, Tcut, Ss	1
	19	1034731	(10000000- 20000000) Screw, Hex, M6 X 1.00 X 16, Sems, Ss	5
	20	140154	(10000000- 20000000) Sleeve, P/M, 0.25b 0.38d 0.3l, Pl	1
	21	1209249	(10000000- 20000000) Bracket, Mtg, Ec- H2o Module [T300]	1
	22	1044335	(10000000- 20000000) Switch, Press, 6psi, Pm02	1
	23	150307	(10000000- 20000000) Fitting, Brs, Str, Pf02/Pf02, Cplg	1
	24	1216185	(10000000- 20000000) Fitting, Plstc, Str, Qm04/Pm02	1
	25	1215527	(10000000- 20000000) Valve, Check, 1.0 Psi Qf06/Qf06	1
	26	1212812	(10000000- 20000000) Fitting, Plstc, E90, Qf06/Pm06, Swivel	1
	27	43555	(10000000- 20000000) Clamp, Hose, Wormdrive, 2.62- 3.50d	1
	28	1210517	(10000000- 20000000) Pump, Soltn, Ele, 24vdc, 35 Psi	1
	29	64778	(10978344- 20000000) Fitting, Plstc, E90, Bm08/Pm06	1
	30	1013442	(10000000- 20000000) Knob, Valve, 0.70d 0.61l, 0.21b	1
	31	1017091	(10000000- 20000000) Spring, Cmpr, 0.50od .04wir 00.8l	1
	32	1210041	(10000000- 20000000) Bracket Wldt, Mtg, Valve, Soltn	1
	33	1213803	(10978344- 20000000) Valve, Water, Solenoid, 24vdc, Bm10/Bm10	1
	34	1205799	(10000000- 20000000) Screw, Btn, M5 X 0.8 X 16, 8.8, NI, Torx	2
	35	1015068	(10000000- 20000000) Hose, Afmkt, Pvc, Clr, 0.50id, 03ft	1
	36	54333	(11009738- 20000000) Clamp, Hose, Wormdrive, 0.31- 0.88d, .31w	10
	37	1048278	(11009738- 20000000) Hose, Pvc, Clr, E90 0.63id 0.75od	1
	38	64778	(10978344- 20000000) Fitting, Plstc, E90, Bm08/Pm06	3
	39	1015486	(10978344- 20000000) Fitting, Plstc, Tee, Bm08/Bm10/Bm10, Br	1
∇	40	1211537	(10000000- 20000000) Filter, In- Line, Pf06/Pf06 080m 2.6l Epd	1
▲		1218885	(10000000- 20000000) Gasket [Epdm, F/1211537]	1
▲		1218883	(10000000- 20000000) Screen, Fltr, 80 Mesh, Ss [W/ Cage]	1
▲		613991	(10000000- 20000000) Bowl, Clr, Short, F/1005302	1

∇ ASSEMBLY

▲ INCLUDED IN ASSEMBLY

SOLUTION GROUP, BASE MODEL ec-H2O (S/N 11009738 -) - CONT'D
(NEW BARB CONNECTOR STYLE)

355833

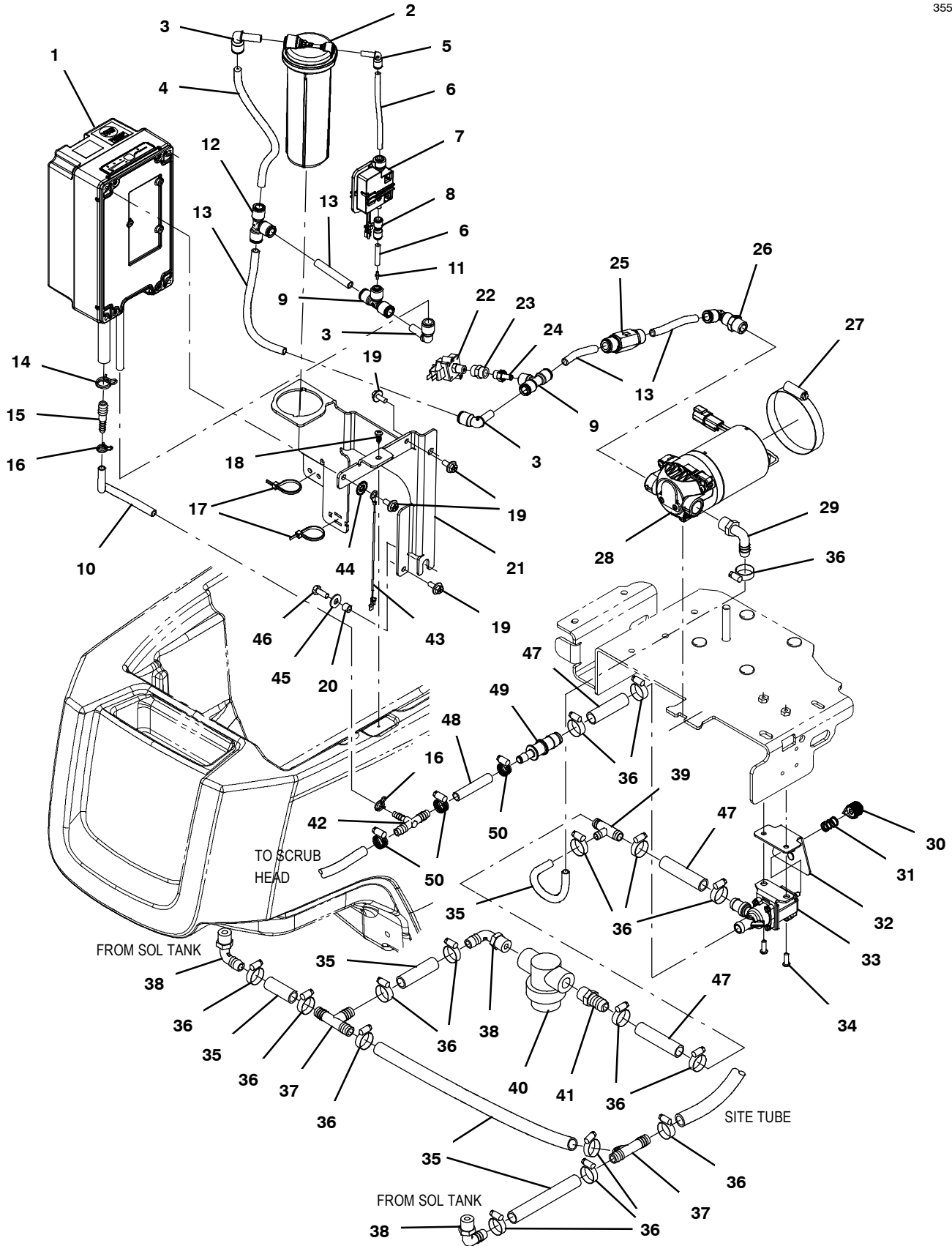


**SOLUTION GROUP, BASE MODEL ec-H2O (S/N 11009738 -) - CONT'D
(NEW BARB CONNECTOR STYLE)**

Ref.	Part No.	Serial Number	Description	Qty.
41	1013900	(10978344- 20000000)	Fitting, Plstc, Str, Bm10/Pm06, Nyl	1
42	50895	(10978344- 20000000)	Fitting, Plstc, Tee, Bm04/Bm06/Bm06, Br	1
43	1074344	(10000000- 20000000)	Harness, Ele [Ring With .250m Tail]	1
44	41140	(10000000- 20000000)	Washer, Lock, Int- Ext, 0.25	1
45	01684	(10000000- 20000000)	Washer, Flat, 0.27b 0.69d .05, Ss	1
46	12277	(10000000- 20000000)	Screw, Hex, M6 X 1.00 X 20, NI, Ss	1
47	1035355	(10978344- 20000000)	Hose, Afmkt, Pvc, Clr, 0.62id, 02ft	1
48	1014929	(10978344- 20000000)	Hose, Afmkt, Pvc, Clr, 0.38id, 01ft	1
49	1243167	(10978344- 20000000)	Fitting, Plstc, Str, Bm06/Bm10	1
50	43844	(10978344- 20000000)	Clamp, Hose, Wormdrive, 0.25- 0.62d, .31w	3

SOLUTION GROUP, BASE MODEL ec-H2O (S/N 10978344 - 11009737)
(NEW BARB CONNECTOR STYLE)

355760



**SOLUTION GROUP, BASE MODEL ec- H2O (S/N 10978344 - 11009737)
(NEW BARB CONNECTOR STYLE)**

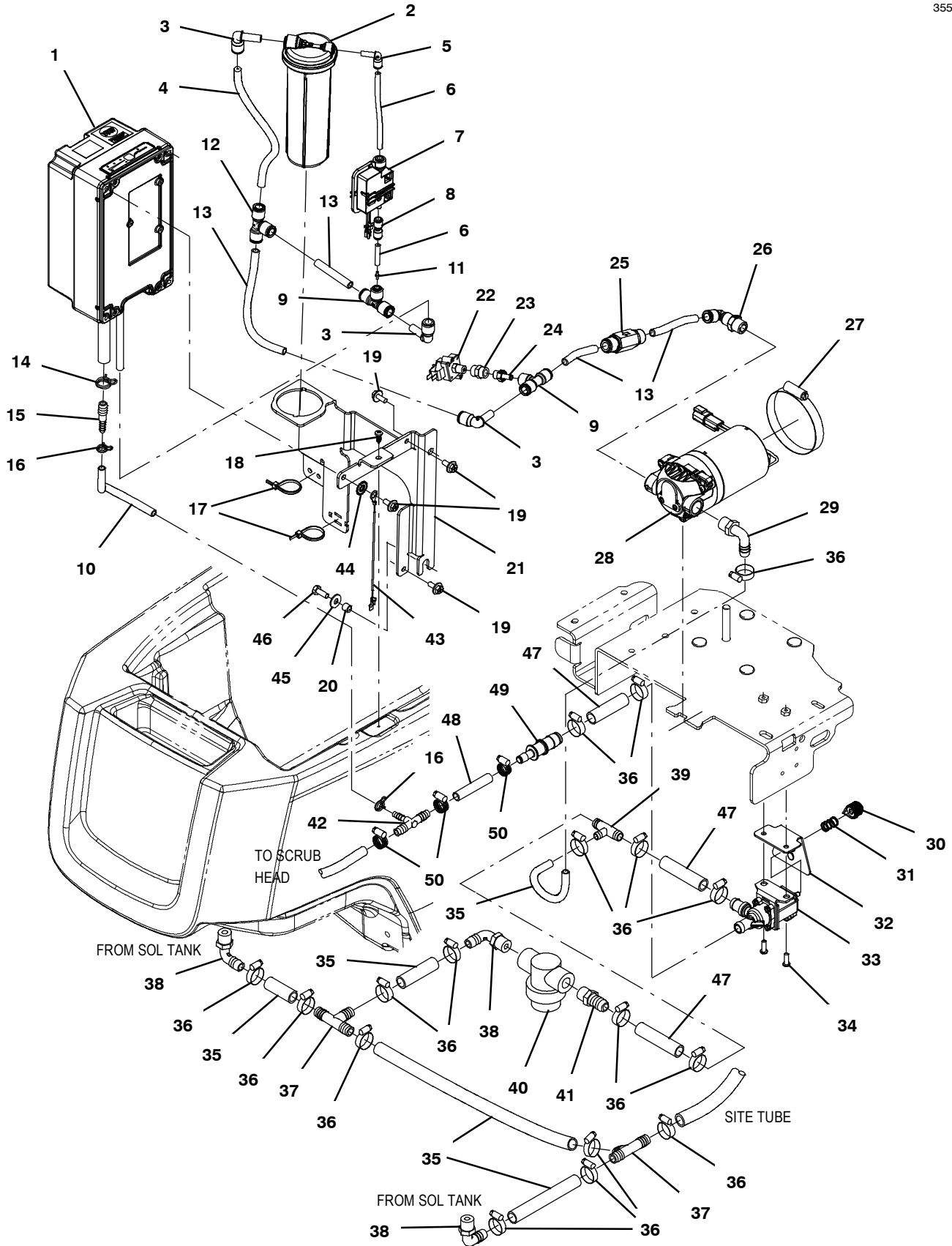
Ref.	Part No.	Serial Number	Description	Qty.
∇	1	9020643	(10998060- AUG2022) Module Kit, Replmt [Ec- H2o, B 02] (See Breakdowns) (Replaced By 9021553)	1
∇	1	9011810	(10000000- 10998059) Module Kit, Replmt [Ec- H2o, B 02] (See Breakdowns) (Replaced By 9021553)	1
▲	2	9013646	(10000000- 20000000) Cartridge, Ec- H2o Nanoclean Wcm, 270ml	1
	3	1215186	(10000000- 20000000) Fitting, Plstc, E90, Qf06/Qm06	1
	4	9014146	(10000000- 20000000) Hose, Afrmkt, Pvc, 0.06id .38od, 05ft	1
	5	1214339	(10000000- 20000000) Fitting, Plstc, E90, Qfo4/Qm04	1
	6	9014147	(10000000- 20000000) Hose, Afrmkt, Pvc, 0.06id .25od, 05ft	1
	7	1216973	(10000000- 20000000) Pump Assy, Dispenser	1
	8	1218192	(10000000- 20000000) Fitting, Plstc, Str, Qf04/Qf04	1
	9	1212855	(10000000- 20000000) Fitting, Plstc, Tee, Qf04/Qf06/Qf06	2
	10	1006415	(10000000- 20000000) Hose, Afrmkt, Pvc, Clr, 0.25id, 03ft	1
	11	1214972	(10000000- 20000000) Fitting, Orifice, Str, Bm01/Bm01	1
	12	1212573	(10000000- 20000000) Fitting, Plstc, Tee, Qf06/Qf06/Qf06	1
	13	9014148	(10000000- 20000000) Hose, Afrmkt, Nat, 0.25id 0.375od, 06ft	1
	14	607775	(10000000- 20000000) Clamp, Hose, Wir, .63 - .66, Blk	4
	15	1039557	(10000000- 20000000) Fitting, Plstc, Str, Bm04/Bm06	1
	16	613735	(10000000- 20000000) Clamp, Hose, Wir, .40 - .42, Yel	2
	17	130773	(10000000- 20000000) Tie, Cable, Nyl, 11.0l, .14w, 3.0 Max. D	2
	18	1018155	(10000000- 20000000) Screw, Pan, Phl, M5 X 0.80 X 16, Tcut, Ss	1
	19	1034731	(10000000- 20000000) Screw, Hex, M6 X 1.00 X 16, Sems, Ss	5
	20	140154	(10000000- 20000000) Sleeve, P/M, 0.25b 0.38d 0.3l, Pl	1
	21	1209249	(10000000- 20000000) Bracket, Mtg, Ec- H2O Module [T300]	1
	22	1044335	(10000000- 20000000) Switch, Press, 6psi, Pm02	1
	23	150307	(10000000- 20000000) Fitting, Brs, Str, Pf02/Pf02, Cplg	1
	24	1216185	(10000000- 20000000) Fitting, Plstc, Str, Qm04/Pm02	1
	25	1215527	(10000000- 20000000) Valve, Check, 1.0 Psi Qf06/Qf06	1
	26	1212812	(10000000- 20000000) Fitting, Plstc, E90, Qf06/Pm06, Swivel	1
	27	43555	(10000000- 20000000) Clamp, Hose, Wormdrive, 2.62- 3.50d	1
	28	1210517	(10000000- 20000000) Pump, Soltn, Ele, 24vdc, 35 Psi	1
	29	64778	(10978344- 20000000) Fitting, Plstc, E90, Bm08/Pm06	1
	30	1013442	(10000000- 20000000) Knob, Valve, 0.70d 0.61l, 0.21b	1
	31	1017091	(10000000- 20000000) Spring, Cmpr, 0.50od .04wir 00.8l	1
	32	1210041	(10000000- 20000000) Bracket Wldt, Mtg, Valve, Soltn	1
	33	1213803	(10978344- 20000000) Valve, Water, Solenoid, 24vdc, Bm10/Bm10	1
	34	1205799	(10000000- 20000000) Screw, Btn, M5 X 0.8 X 16, 8.8, NI, Torx	2
	35	1015068	(10000000- 20000000) Hose, Afrmkt, Pvc, Clr, 0.50id, 03ft	1
	36	54333	(10978344- 11009737) Clamp, Hose, Wormdrive, 0.31- 0.88d, .31w	16
	37	63245- 1	(10978344- 11009737) Fitting, Plstc, Tee, Bm08/Bm08/Bm08	2
	38	64778	(10978344- 20000000) Fitting, Plstc, E90, Bm08/Pm06	3
	39	1015486	(10978344- 11009737) Fitting, Plstc, Tee, Bm08/Bm10/Bm10, Br	1
∇	40	1211537	(10000000- 20000000) Filter, In- Line, Pf06/Pf06 080m 2.6l Epd	1
▲		1218885	(10000000- 20000000) Gasket [Epdm, F/1211537]	1
▲		1218883	(10000000- 20000000) Screen, Fltr, 80 Mesh, Ss [W/ Cage]	1
▲		613991	(10000000- 20000000) Bowl, Clr, Short, F/1005302	1

∇ ASSEMBLY

▲ INCLUDED IN ASSEMBLY

SOLUTION GROUP, BASE MODEL ec-H2O (S/N 10978344 - 11009737) - CONT'D
(NEW BARB CONNECTOR STYLE)

355760



**SOLUTION GROUP, BASE MODEL ec-H2O (S/N 10978344 - 11009737) - CONT'D
(NEW BARB CONNECTOR STYLE)**

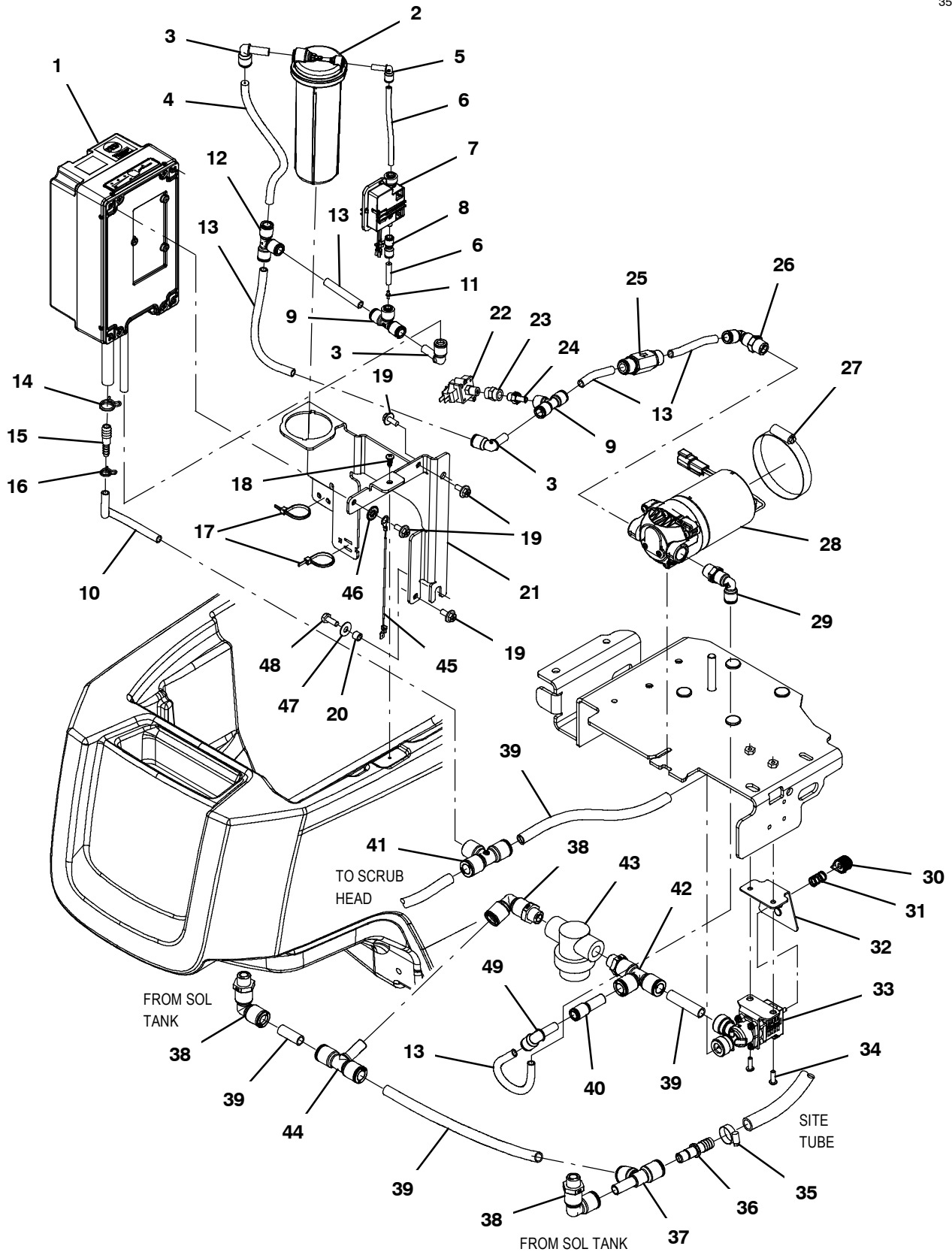
Ref.	Part No.	Serial Number	Description	Qty.
41	1013900	(10978344- 11009737)	Fitting, Plstc, Str, Bm10/Pm06, Nyl	1
46	50895	(10978344- 20000000)	Fitting, Plstc, Tee, Bm04/Bm06/Bm06, Br	1
43	1074344	(10000000- 20000000)	Harness, Ele [Ring With .250m Tail]	1
44	41140	(10000000- 20000000)	Washer, Lock, Int- Ext, 0.25	1
45	01684	(10000000- 20000000)	Washer, Flat, 0.27b 0.69d .05, Ss	1
46	12277	(10000000- 20000000)	Screw, Hex, M6 X 1.00 X 20, NI, Ss	1
47	1035355	(10978344- 11009737)	Hose, Afmkt, Pvc, Clr, 0.62id, 02ft	1
48	1014929	(10978344- 11009737)	Hose, Afmkt, Pvc, Clr, 0.38id, 01ft	1
49	1243167	(10978344- 11009737)	Fitting, Plstc, Str, Bm06/Bm10	1
50	43844	(10978344- 11009737)	Clamp, Hose, Wormdrive, 0.25- 0.62d, .31w	3

▽ ASSEMBLY

▲ INCLUDED IN ASSEMBLY

SOLUTION GROUP, BASE MODEL ec- H2O
(ORIGINAL PUSH QUICK CONNECTOR STYLE)

355309

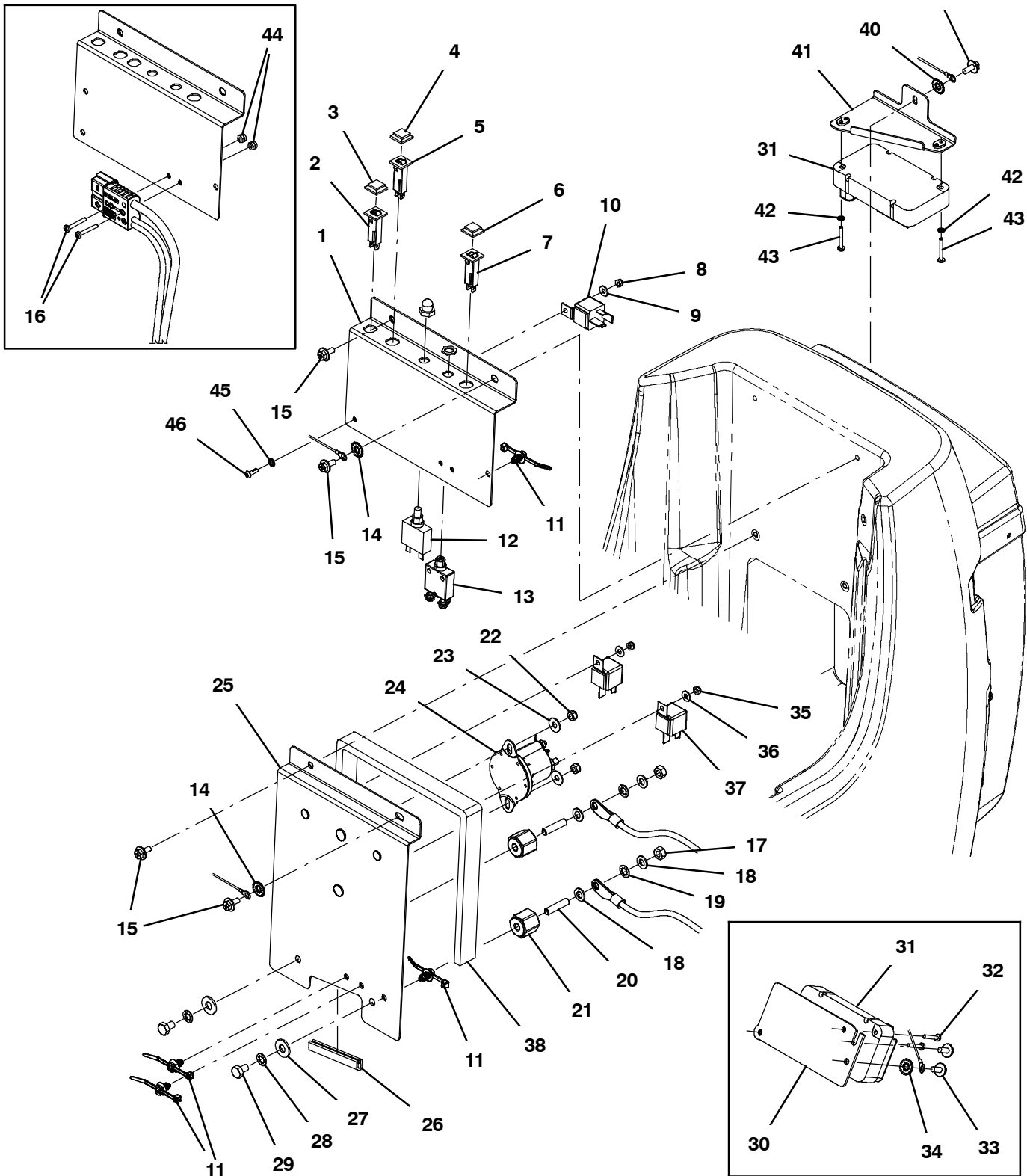


**SOLUTION GROUP, BASE MODEL ec- H2O
(ORIGINAL PUSH QUICK CONNECTOR STYLE)**

Ref.	Part No.	Serial Number	Description	Qty.
∇	1	9011810	(10000000- 10998059) Module Kit, Replmt [Ec- H2o, B 02] (See Breakdowns) (Replaced By 9021553)	1
▲	2	9013646	(10000000- 20000000) Cartridge, Ec- H2o Nanoclean Wcm, 270ml	1
	3	1215186	(10000000- 20000000) Fitting, Plstc, E90, Qf06/Qm06	1
	4	9014146	(10000000- 20000000) Hose, Afmkt, Pvc, 0.06id .38od, 05ft	1
	5	1214339	(10000000- 20000000) Fitting, Plstc, E90, Qfo4/Qm04	1
	6	9014147	(10000000- 20000000) Hose, Afmkt, Pvc, 0.06id .25od, 05ft	1
	7	1216973	(10000000- 20000000) Pump Assy, Dispenser	1
	8	1218192	(10000000- 20000000) Fitting, Plstc, Str, Qf04/Qf04	1
	9	1212855	(10000000- 20000000) Fitting, Plstc, Tee, Qf04/Qf06/Qf06	2
	10	1006415	(10000000- 20000000) Hose, Afmkt, Pvc, Clr, 0.25id, 03ft	1
	11	1214972	(10000000- 20000000) Fitting, Orifice, Str, Bm01/Bm01	1
	12	1212573	(10000000- 20000000) Fitting, Plstc, Tee, Qf06/Qf06/Qf06	1
	13	9014148	(10000000- 20000000) Hose, Afmkt, Nat, 0.25id 0.375od, 06ft	1
	14	607775	(10000000- 20000000) Clamp, Hose, Wir, .63 - .66, Blk	1
	15	1039557	(10000000- 20000000) Fitting, Plstc, Str, Bm04/Bm06	1
	16	613735	(10000000- 20000000) Clamp, Hose, Wir, .40 - .42, Yel	1
	17	130773	(10000000- 20000000) Tie, Cable, Nyl, 11.0l, .14w, 3.0 Max. D	2
	18	1018155	(10000000- 20000000) Screw, Pan, Phl, M5 X 0.80 X 16, Tcut, Ss	1
	19	1034731	(10000000- 20000000) Screw, Hex, M6 X 1.00 X 16, Sems, Ss	5
	20	140154	(10000000- 20000000) Sleeve, P/M, 0.25b 0.38d 0.3l, Pl	1
	21	1209249	(10000000- 20000000) Bracket, Mtg, Ec- H2O Module [T300]	1
	22	1044335	(10000000- 20000000) Switch, Press, 6psi, Pm02	1
	23	150307	(10000000- 20000000) Fitting, Brs, Str, Pf02/Pf02, Cplg	1
	24	1216185	(10000000- 20000000) Fitting, Plstc, Str, Qm04/Pm02	1
	25	1215527	(10000000- 20000000) Valve, Check, 1.0 Psi Qf06/Qf06	1
	26	1212812	(10000000- 20000000) Fitting, Plstc, E90, Qf06/Pm06, Swivel	1
	27	43555	(10000000- 20000000) Clamp, Hose, Wormdrive, 2.62- 3.50d	1
	28	1210517	(10000000- 20000000) Pump, Soltn, Ele, 24vdc, 35 Psi	1
	29	1212812	(10000000- 10978343) Fitting, Plstc, E90, Qf06/Pm06, Swivel	1
	30	1013442	(10000000- 20000000) Knob, Valve, 0.70d 0.61l, 0.21b	1
	31	1017091	(10000000- 20000000) Spring, Cmpr, 0.50od .04wir 00.8l	1
	32	1210041	(10000000- 20000000) Bracket Wldt, Mtg, Valve, Soltn	1
	33	1211423	(10000000- 10978343) Valve, Water, Solenoid, 24vdc Qf08/Qf08	1
	34	1205799	(10000000- 20000000) Screw, Btn, M5 X 0.8 X 16, 8.8, NI, Torx	2
	35	54333	(10000000- 10978343) Clamp, Hose, Wormdrive, 0.31- 0.88d, .31w	1
	36	1212807	(10000000- 10978343) Fitting, Plstc, Str, Qm08/Bm08	1
	37	1212806	(10000000- 10978343) Fitting, Plstc, Tee, Qf08/Qf08/Qm08	1
	38	1212987	(10000000- 10978343) Fitting, Plstc, E90, Qf08/Pm06, Swivel	3
	39	9014145	(10000000- 10978343) Hose, Afmkt, Pe, .375id .50od, 05ft	1
	40	1215218	(10000000- 10978343) Fitting, Plstc, Str, Qf06/Qm08	1
	41	1212875	(10000000- 10978343) Fitting, Plstc, Tee, Qf06/Qf08/Qf08	1
	42	1212808	(10000000- 10978343) Fitting, Plstc, Tee, Qf08/Qf08/Pm06	1
∇	43	1211537	(10000000- 20000000) Filter, In- Line, Pf06/Pf06 080m 2.6l Epd	1
▲		1218885	(10000000- 20000000) Gasket [Epdm, F/1211537]	1
▲		1218883	(10000000- 20000000) Screen, Fltr, 80 Mesh, Ss [W/ Cage]	1
▲		613991	(10000000- 20000000) Bowl, Clr, Short, F/1005302	1
	44	1212810	(10000000- 10978343) Fitting, Plstc, Tee, Qm08/Qf08/Qf08	1
	45	1074344	(10000000- 20000000) Harness, Ele [Ring With .250m Tail]	1
	46	41140	(10000000- 20000000) Washer, Lock, Int- Ext, 0.25	1
	47	01684	(10000000- 20000000) Washer, Flat, 0.27b 0.69d .05, Ss	1
	48	12277	(10000000- 20000000) Screw, Hex, M6 X 1.00 X 20, NI, Ss	1
	49	1215186	(10890202- 10978343) Fitting, Plstc, E90, Qf06/Qm06	1

ELECTRICAL COMPONENTS GROUP, BASE MODEL

355320



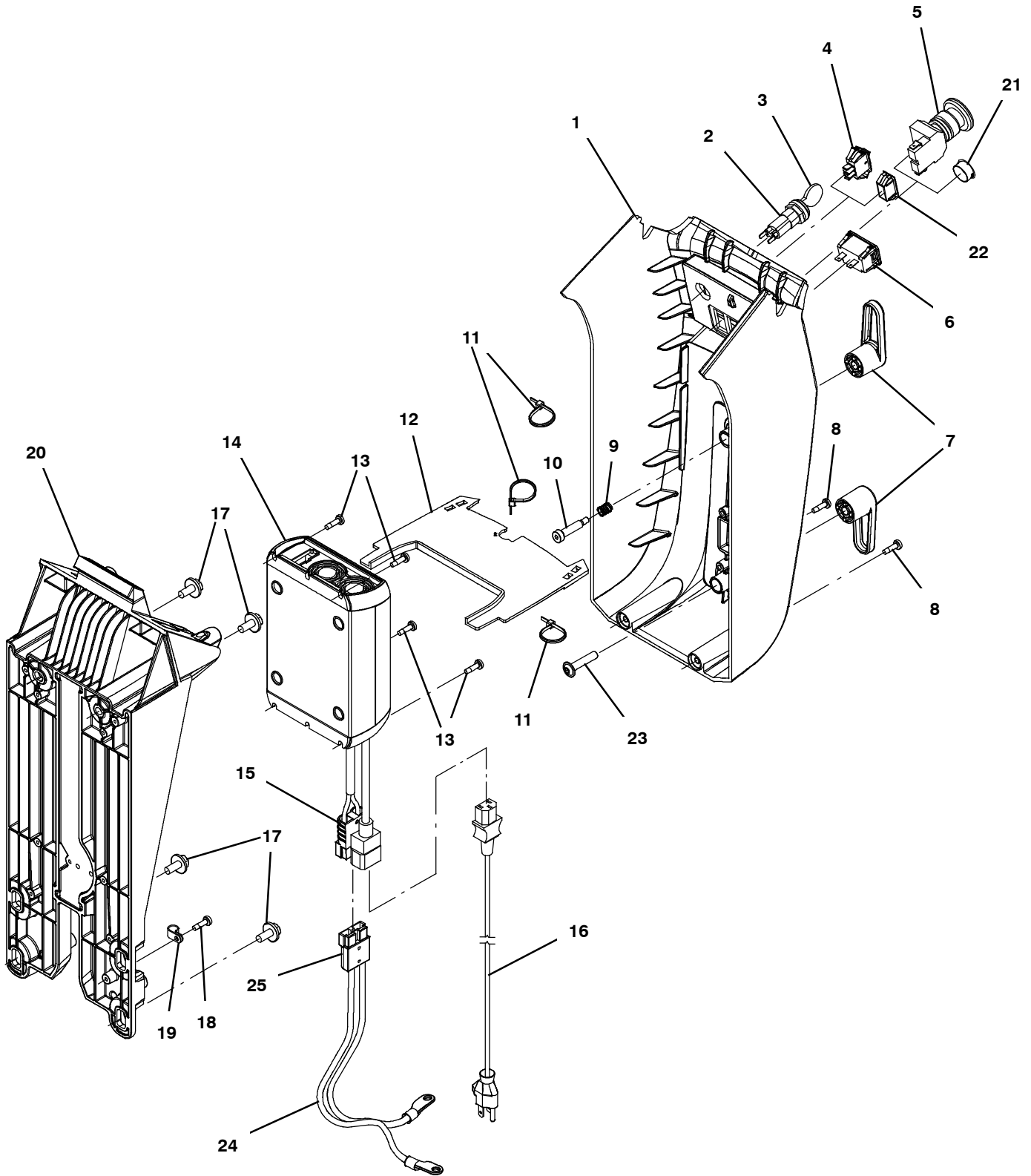
ELECTRICAL COMPONENTS GROUP, BASE MODEL

Ref.	Part No.	Serial Number	Description	Qty.
1	9014188	(10000000- 20000000)	Bracket Wldt, Afmkt, Mtg [Circuitbrkrs]	1
2	1208816	(10000000- 20000000)	Circuitbreaker, 04.0a, Resetable	1
3	1064191	(10000000- 20000000)	Boot, Circuitbreaker	1
4	1064191	(xxxxxxx- 20000000)	Boot, Circuitbreaker (ec- H2O Option)	1
4	1064191	(10000000- xxxxxxx)	Boot, Circuitbreaker (ec- H2O Option)	2
5	1064187	(xxxxxxx- 20000000)	Circuitbreaker, 10.0a, Resetable	1
5	1208816	(10000000- xxxxxxx)	Circuitbreaker, 04.0a, Resetable (ec- H2O Option)	2
6	1064191	(10000000- 20000000)	Boot, Circuitbreaker	1
7	1064189	(10000000- 20000000)	Circuitbreaker, 20.0a, Resetable	1
8	09739	(10000000- 20000000)	Nut, Hex, Lock, M5 X 0.80, NI, Ss (ec- H2O Option)	1
9	01683	(10000000- 20000000)	Washer, Flat, 10, Ss (ec- H2O Option)	1
10	1012216	(10000000- 20000000)	Relay, 24vdc, 070a, Spst No, Plug- In (ec- H2O Option)	1
11	1210807	(10000000- 20000000)	Wire, Tie [W/.25" Fir Tree Clip]	4
12	383725	(10000000- 20000000)	Circuitbreaker, 30.0a, Resetable (Propel Model)	1
13	1074526	(10000000- 20000000)	Circuitbreaker, 37.0a	1
14	41140	(10000000- 20000000)	Washer, Lock, Int- Ext, 0.25	2
15	1034731	(10000000- 20000000)	Screw, Hex, M6 X 1.00 X 16, Sems, Ss	4
16	33931	(10000000- xxxxxxx)	Screw, Pan, Phl, M4 X 0.70 X 30, Ss	2
17	41361	(10000000- 20000000)	Nut, Hex, Std, M8 X 1.25, Brs	2
18	1209373	(10000000- 20000000)	Washer, Flat, M8.4b X 16d X 1.6, Brs	4
19	43952	(10000000- 20000000)	Washer, Lock, Int, 0.31, Ss	2
20	607461	(10000000- 20000000)	Screw, Set, M8 X 1.25 X 35, NI	2
21	1205345	(10000000- 20000000)	Stand- Off, Wir, M8, Insulator, Panel	2
22	09739	(10000000- 20000000)	Nut, Hex, Lock, M5 X 0.80, NI, Ss	2
23	01684	(10000000- 20000000)	Washer, Flat, 0.27b 0.69d .05, Ss	2
24	1066409	(10000000- 20000000)	Relay, 24vdc, 150a, No [Trombetta]	1
25	1208619	(10000000- 20000000)	Bracket Wldt, Mtg, Ele	1
26	1020174	(10000000- 20000000)	Molding, Afmkt, Trim, Pvc, .08 .11, 03ft	1
27	01685	(10000000- 20000000)	Washer, Flat, 0.38b 0.88d .08, Ss	2
28	32984	(10000000- 20000000)	Washer, Lock, Int, 0.31	2
29	386868	(10000000- 20000000)	Screw, Hex, M8 X 1.25 X 12, Ss	2
30	1210078	(10000000- 10813435)	Bracket Wldt, Drive (Propel Model)	1
31	9014613*	(10000000- 20000000)	Controller Kit, Spd, Ci [T300/E/Ss300] (Propel Model)	1
32	04403	(10000000- 10813435)	Screw, Pan, Phl, M4 X 0.70 X 25, NI, Ss (Propel Model)	2
33	1034731	(10000000- 10813435)	Screw, Hex, M6 X 1.00 X 16, Sems, Ss (Propel Model)	2
34	41140	(10000000- 10813435)	Washer, Lock, Int- Ext, 0.25 (Propel Model)	1
35	09739	(10000000- 20000000)	Nut, Hex, Lock, M5 X 0.80, NI, Ss	2
36	01683	(10000000- 20000000)	Washer, Flat, 10, Ss	2
37	1012216	(10000000- 20000000)	Relay, 24vdc, 070a, Spst No, Plug- In	2
38	1208628	(10000000- 20000000)	Gasket, Cover, Circuitboard	1
39	1034731	(10813436- 20000000)	Screw, Hex, M6 X 1.00 X 16, Sems, Ss	1
40	41140	(10813436- 20000000)	Washer, Lock, Int- Ext, 0.25	1
41	1223824	(10813436- 20000000)	Bracket Wldt, Mtg, Cntrl, [T300/T300e]	1
42	02938	(10813436- 20000000)	Washer, Lock, Int, 08, Ss	2
43	33931	(10813436- 20000000)	Screw, Pan, Phl, M4 X 0.70 X 30, Ss	2
44	02850	(10000000- xxxxxxx)	Nut, Hex, Lock, M4 X 0.70, NI	2
45	07515	(10000000- 20000000)	Washer, Lock, Int, 0.25, Ss	1
46	1205799	(10000000- 20000000)	Screw, Btn, M5 X 0.8 X 16, 8.8, NI, Torx	1

* Requires Tennant *True* service or an authorized Tennant service provider.

LOWER CONSOLE GROUP, ON-BOARD CHARGER

355328



LOWER CONSOLE GROUP, ON-BOARD CHARGER

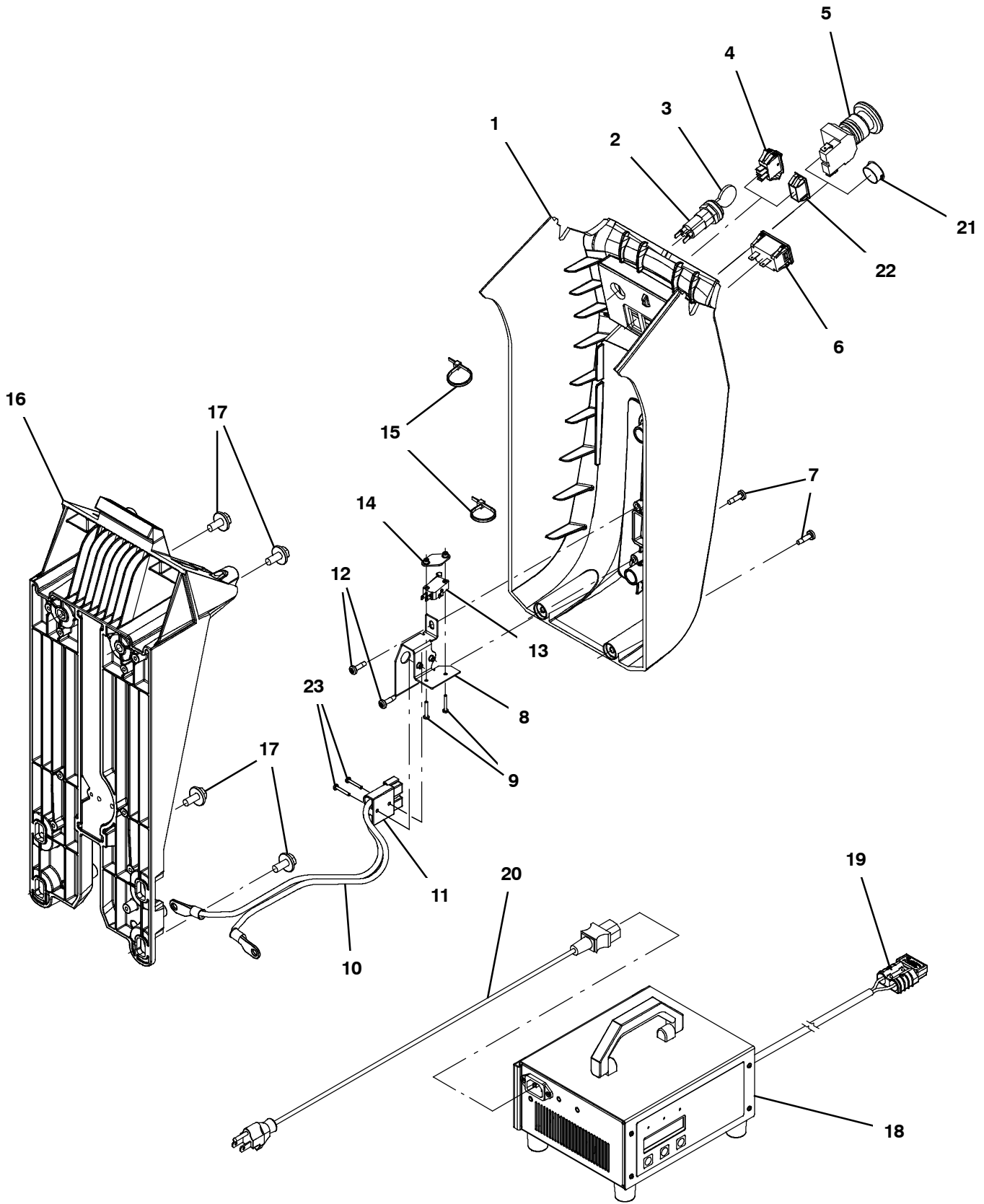
Ref.	Part No.	Serial Number	Description	Qty.	
1	1203802	(10000000- 20000000)	Cover, Column, Cntrl	1	
1	9012789	(10000000- 20000000)	Cover, Console, Afmkt, W/ Label [Na] (Replaced By 1203802)	1	
▽	2	1011402	(10000000- 20000000)	Switch, Key	1
▲	3	1017696	(10000000- 20000000)	Key Set, Replmt [F/ Keyswitch 1011402]	1
	4	1044393	(10000000- 20000000)	Switch, Rocker, Spst Mom (ec- H2O Option)	1
	5	1011735	(10000000- 20000000)	Switch, Safety, Shutoff (Propel Model)	1
	6	1064038	(10000000- 20000000)	Gauge, Hourmeter, 05- 277 Volt, Ac / Dc	1
	7	1205496	(10000000- 20000000)	Hook, Cord	2
	8	1043573	(10795905- 20000000)	Screw, #10- 14 X 0.675, Spl[Shcs,Selftap]	2
	8	1205799	(10000000- 10795904)	Screw, Btn, M5 X 0.8 X 16, 8.8, NI, Torx	2
	9	611311	(10982683- 20000000)	Spring, Cmpr, 0.40od .05wir 00.5l, Pl,Mw	1
	9	611311	(10000000- 10982682)	Spring, Cmpr, 0.40od .05wir 00.5l, Pl,Mw	2
	10	1024965	(10982683- 20000000)	Bolt, Shld, 08mmd X 030mm, M06 X 1.0	2
	10	1024965	(10000000- 10982682)	Bolt, Shld, 08mmd X 030mm, M06 X 1.0	2
	11	130773	(10000000- 20000000)	Tie, Cable, Nyl, 11.0l, .14w, 3.0 Max. D	3
	12	1211582	(10000000- 20000000)	Cover, Chrgr [Small Spe]	1
	13	1043573	(10795905- 20000000)	Screw, #10- 14 X 0.675, Spl[Shcs,Selftap]	4
	13	1205799	(10000000- 10795904)	Screw, Btn, M5 X 0.8 X 16, 8.8, NI, Torx	4
▽	14	9015304	(10000000- 20000000)	Charger Kit, 24vdc 13a 100- 240vac[On- Bd] (North America) (Note: Charger Kit required for models equipped with vented consoles)	1
▲▽	14	1242853	(10000000- 20000000)	Charger, 24vdc 13a 100- 240vac [On Brd] (North America)	1
▲▲	15	605387	(10000000- 20000000)	Connector, Anderson, 050a, Red [W/O Con]	1
	16	1025642	(10000000- 20000000)	Cord, Power, 16/3, 15ft Blk [Us]	1
	17	1020341	(10000000- 20000000)	Screw, Hex, M8 X 1.25 X 20, Ss, Sems	4
	18	1043573	(10795905- 20000000)	Screw, #10- 14 X 0.675, Spl[Shcs,Selftap]	1
	18	1205799	(10000000- 10795904)	Screw, Btn, M5 X 0.8 X 16, 8.8, NI, Torx	1
	19	26395- 2	(10000000- 20000000)	Clamp, Cable, Stl, 0.38d X 0.38w, 1hole	1
	20	1231373	(10795905- 20000000)	Frame, Column, Cntrl [Im], T600	1
	20	1216531	(10000000- 10795904)	Frame, Column, Cntrl [Revised Machined] (Replaced By 9021915)	1
	21	130161	(10000000- 20000000)	Plug, Hole, Rnd, 0.88d, Blk (Push Model)	1
	22	582150	(10000000- 20000000)	Plug, Hole, Rt, 1.23 X 1.12, Nyl (Standard Model)	1
	23	1248098	(10982683- 20000000)	Screw, Btn, Flng, M6 X 1.0 X 30, 10.9	1
▽	24	1073634	(10000000- 20000000)	Harness, Chrgr, 12ga [M8 Ring/M8 Ring]	1
▲	25	605387	(10000000- 20000000)	Connector, Anderson, 050a, Red [W/O Con]	1

▽ ASSEMBLY

▲ INCLUDED IN ASSEMBLY

LOWER CONSOLE GROUP, OFF-BOARD CHARGER

355329



LOWER CONSOLE GROUP, OFF- BOARD CHARGER

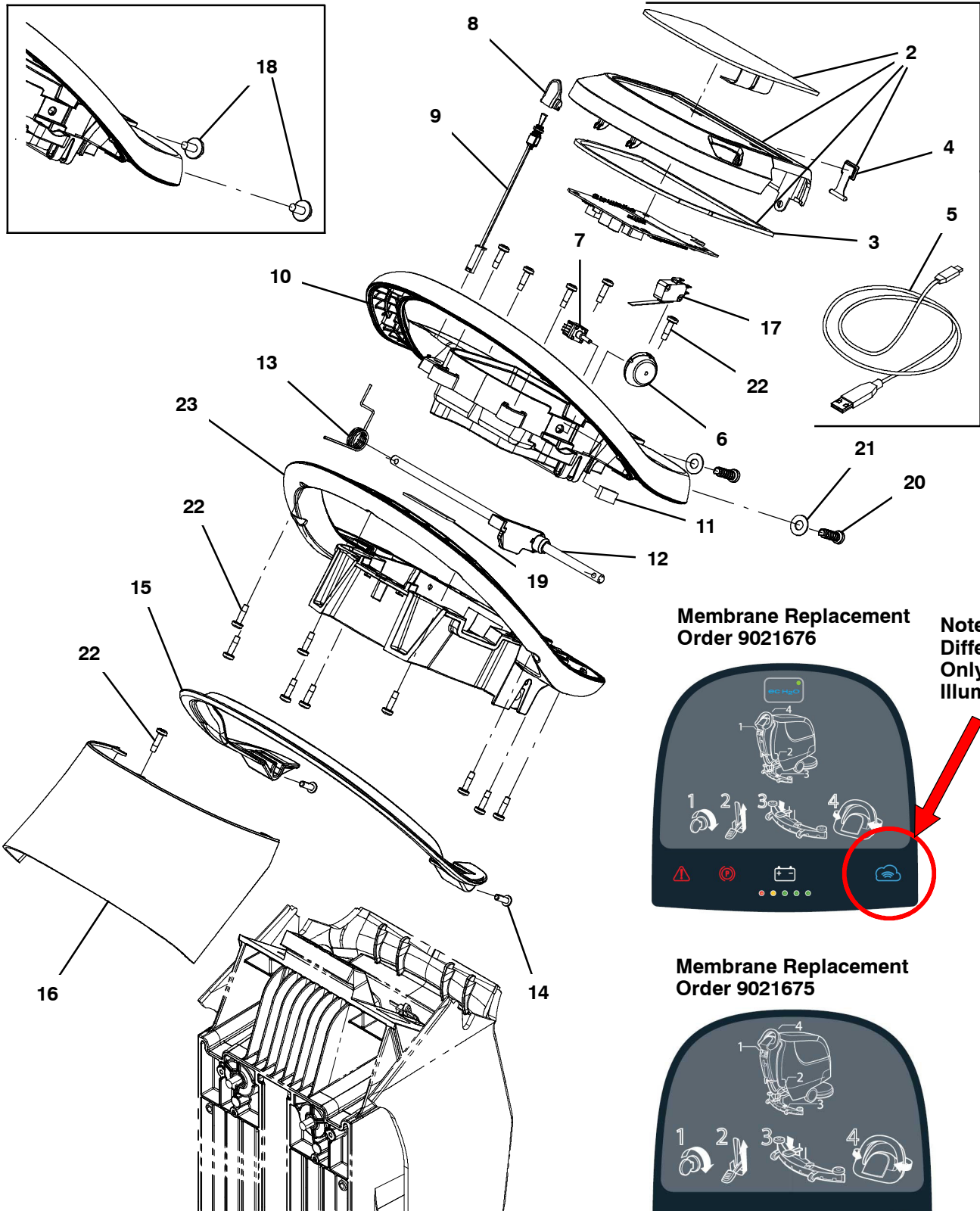
Ref.	Part No.	Serial Number	Description	Qty.	
1	1203802	(10000000- 20000000)	Cover, Column, Cntrl	1	
1	9012789	(10000000- 20000000)	Cover, Console, Afmkt, W/ Label [Na] (Replaced By 1203802)	1	
▽	2	1011402	(10000000- 20000000)	Switch, Key	1
▲	3	1017696	(10000000- 20000000)	Key Set, Replmt [F/ Keyswitch 1011402]	1
	4	1044393	(10000000- 20000000)	Switch, Rocker, Spst Mom (ec- H2O Model)	1
	5	1011735	(10000000- 20000000)	Switch, Safety, Shutoff (Propel Model)	1
	6	1064038	(10000000- 20000000)	Gauge, Hourmeter, 05- 277 Volt, Ac / Dc	1
	7	1043573	(10795905- 20000000)	Screw, #10- 14 X 0.675, Spl[Shcs,Selftap]	2
	7	1205799	(10000000- 10795904)	Screw, Btn, M5 X 0.8 X 16, 8.8, NI, Torx	2
	8	1208599	(10000000- 20000000)	Bracket Assy, Plug, Charger	1
	9	06922	(10000000- 20000000)	Screw, Pan, Phl, M3 X 0.50 X 20, 4.8	2
▽	10	1073634	(10000000- 20000000)	Harness, Chrgr, 12ga [M8 Ring/M8 Ring]	1
▲	11	605387	(10000000- 20000000)	Connector, Anderson, 050a, Red [W/O Con]	1
	12	1043573	(10000000- 20000000)	Screw, #10- 14 X 0.675, Spl[Shcs,Selftap]	2
	13	1215716	(10000000- 20000000)	Switch, 0.1a, Spdt[Micro, Gold Contacts]	1
	14	1013705	(10000000- 20000000)	Plate, Thread, Switch, M3 Nut, 96hr PI	1
	15	130773	(10000000- 20000000)	Tie, Cable, Nyl, 11.0l, .14w, 3.0 Max. D	2
	16	1231373	(10795905- 20000000)	Frame, Column, Cntrl [Im], T600	1
	16	1216531	(10000000- 10795904)	Frame, Column, Cntrl [Revised Machined] (Replaced By 9021915)	1
	17	1020341	(10000000- 20000000)	Screw, Hex, M8 X 1.25 X 20, Ss, Sems	4
▽	18	1212837	(10000000- 20000000)	Charger, 24vdc, 13a 85- 265vac [Offboard]	1
▲	19	605387	(10000000- 20000000)	Connector, Anderson, 050a, Red [W/O Con]	1
	20	1025642	(10000000- 20000000)	Cord, Power, 16/3, 15ft Blk [Us]	1
	21	130161	(10000000- 20000000)	Plug, Hole, Rnd, 0.88d, Blk (Push Model)	1
	22	582150	(10000000- 20000000)	Plug, Hole, Rt, 1.23 X 1.12, Nyl (Standard Model)	1
	23	06922	(10000000- 20000000)	Screw, Pan, Phl, M3 X 0.50 X 20, 4.8	2

▽ ASSEMBLY

▲ INCLUDED IN ASSEMBLY

HANDLE GROUP, BASE PROPEL MODEL

355326



Membrane Replacement
Order 9021676

Note Visual
Difference
Only When
Illuminated



Membrane Replacement
Order 9021675



HANDLE GROUP, BASE PROPEL MODEL

Ref.	Part No.	Serial Number	Description	Qty.
▽	1	9021675*	(11055626- 20000000) Bezel Kit, Propel, Mem, Ci [T300e/Ss300] (Kit Includes Circuitboard)	1
▲▽	2	9021676	(11055626- 20000000) Screen Kit, Propel, Mem, Ci[T300e/Ss300]	1
▲▲	3	1245824	(MAR2020- 20000000) Gasket, Console	1
▲▲	4	1205618	(10000000- 20000000) Cap, Usb	1
▲	5	1071235	(10000000- 20000000) Cable [Usb, 2m, A- Male To Mini- B- Male]	1
▽	1	9014131*	(10000000- 11055625) Bezel Kit, Propel, Membrane, Ci [T300e/S (Kit Includes Circuitboard) (NLA - Replaced By 9021675)	1
▲▽	2	9014137	(10000000- 11055625) Screen Kit, Propel, Memb., Ci [T300e/Ss] (NLA - Replaced By 9021675)	1
▲▲	3	1245824	(MAR2020- 20000000) Gasket, Console	1
▲▲	4	1205618	(10000000- 20000000) Cap, Usb	1
▲	5	1071235	(10000000- 20000000) Cable [Usb, 2m, A- Male To Mini- B- Male]	1
	6	1234365	(10000000- 20000000) Dial, Range, Speed	1
	7	1256757	(11009138- 20000000) Potentiometer [100k, 1 Turn, Multi- Mach]	1
	7	1246392	(10947955- 11009137) Potentiometer [100k, 1 Turn, Multi- Mach] (Replaced By 1256757)	1
	7	1204930	(10000000- 10947954) Potentiometer [100k, 1 Turn, B5/B7] (Replaced By 1256757)	1
	8	1209730	(10000000- 20000000) Cap, Toggle, Direction	1
	9	1209673	(10000000- 20000000) Switch Assy, Toggle, Direction	1
	10	1203787	(10000000- 20000000) Housing, Handle, Cntrl, Top	1
	11	1063909	(MAR2020- 20000000) Seal, Afmkt, Rbr, Clsd, Adh, 01ft	1
	12	1205143	(10000000- 20000000) Shaft Assy, Bail, Handle	1
	13	1205781	(10000000- 20000000) Spring, Return, Bail	1
	14	1205799	(10000000- 20000000) Screw, Btn, M5 X 0.8 X 16, 8.8, NI, Torx	2
	15	1205778	(10000000- 20000000) Handle, Bail [Machined]	1
	16	1207004	(10000000- 20000000) Cover, Handle, Cntrl	1
	17	1205323	(10000000- 20000000) Switch, 0.1a, Spdt [Micro, Straight]	1
	18	1020341	(10000000- 10795904) Screw, Hex, M8 X 1.25 X 20, Ss, Sems	2
	19	1020280	(10000000- 20000000) Seal, Afmkt, Rbr, Clsd, Adh, 01ft	1
	20	1215863	(10795905- 20000000) Screw, Pan, Torx, M8 X 3.5 X 25[Remform]	2
	21	140027	(10795905- 20000000) Washer, Flat, 0.35b 0.75d .04, Ss	2
	22	1043573	(10000000- 20000000) Screw, #10- 14 X 0.675, Spl[Shcs,Selftap]	15
	23	1222608	(10000000- 20000000) Housing, Handle, Cntrl, Bottom, Slotted	1
	N/S	1072524	(10000000- 20000000) Harness, Ele [Bail Switch]	1

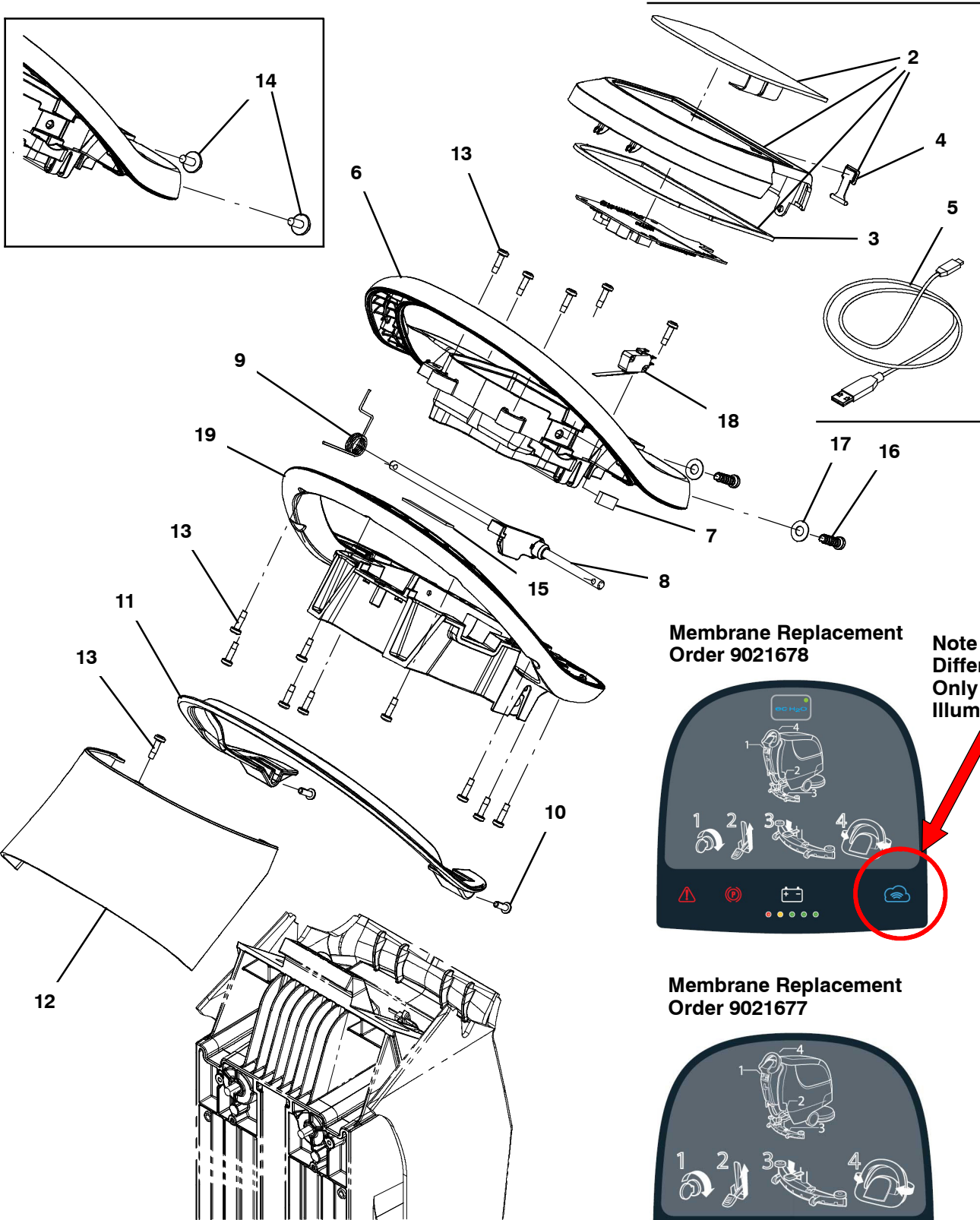
* Requires Tennant *True* service or an authorized Tennant service provider.

▽ ASSEMBLY

▲ INCLUDED IN ASSEMBLY

HANDLE GROUP, BASE PUSH MODEL

355327



HANDLE GROUP, BASE PUSH MODEL

Ref.	Part No.	Serial Number	Description	Qty.
▽	1	9021677*	(11055626- 20000000) Bezel Kit, Push, Mem, Ci[T300e/Es/Ss300] (Kit Includes Circuitboard)	1
▲▽	2	9021678	(11055626- 20000000) Screen Kit, Push, Mem, Ci [T300e/Es/Ss]	1
▲▲	3	1245824	(MAR2020- 20000000) Gasket, Console	1
▲▲	4	1205618	(10000000- 20000000) Cap, Usb	1
▲	5	1071235	(10000000- 20000000) Cable [Usb, 2m, A- Male To Mini- B- Male]	1
▽	1	9014130*	(10000000- 11055625) Bezel Kit, Push, Membrane, Ci [T300e/Ss] (Kit Includes Circuitboard) (NLA - Replaced By 9021677)	1
▲▽	2	9014136	(10000000- 11055625) Screen Kit, Push, Memb., Ci [T300e/Ss] (NLA - Replaced By 9021677)	1
▲▲	3	1245824	(MAR2020- 20000000) Gasket, Console	1
▲▲	4	1205618	(10000000- 20000000) Cap, Usb	1
▲	5	1071235	(10000000- 20000000) Cable [Usb, 2m, A- Male To Mini- B- Male]	1
	6	1203787	(10000000- 20000000) Housing, Handle, Cntrl, Top	1
	7	1063909	(xxxxxxx- 20000000) Seal, Afmkt, Rbr, Clsd, Adh, 01ft	1
	8	1205143	(10000000- 20000000) Shaft Assy, Bail, Handle	1
	9	1205781	(10000000- 20000000) Spring, Return, Bail	1
	10	1205799	(10000000- 20000000) Screw, Btn, M5 X 0.8 X 16, 8.8, NI, Torx	2
	11	1205778	(10000000- 20000000) Handle, Bail [Machined]	1
	12	1207004	(10000000- 20000000) Cover, Handle, Cntrl	1
	13	1043573	(10000000- 20000000) Screw, #10- 14 X 0.675, Spl[Shcs,Selftap]	15
	14	1020341	(10000000- 10795904) Screw, Hex, M8 X 1.25 X 20, Ss, Sems	2
	15	1020280	(10000000- 20000000) Seal, Afmkt, Rbr, Clsd, Adh, 01ft	1
	16	1215863	(10795905- 20000000) Screw, Pan, Torx, M8 X 3.5 X 25[Remform]	2
	17	140027	(10795905- 20000000) Washer, Flat, 0.35b 0.75d .04, Ss	2
	18	1205323	(10000000- 20000000) Switch, 0.1a, Spdt [Micro, Straight]	1
	19	1222608	(10000000- 20000000) Housing, Handle, Cntrl, Bottom, Slotted	1
	N/S	1072524	(10000000- 20000000) Harness, Ele [Bail Switch]	1

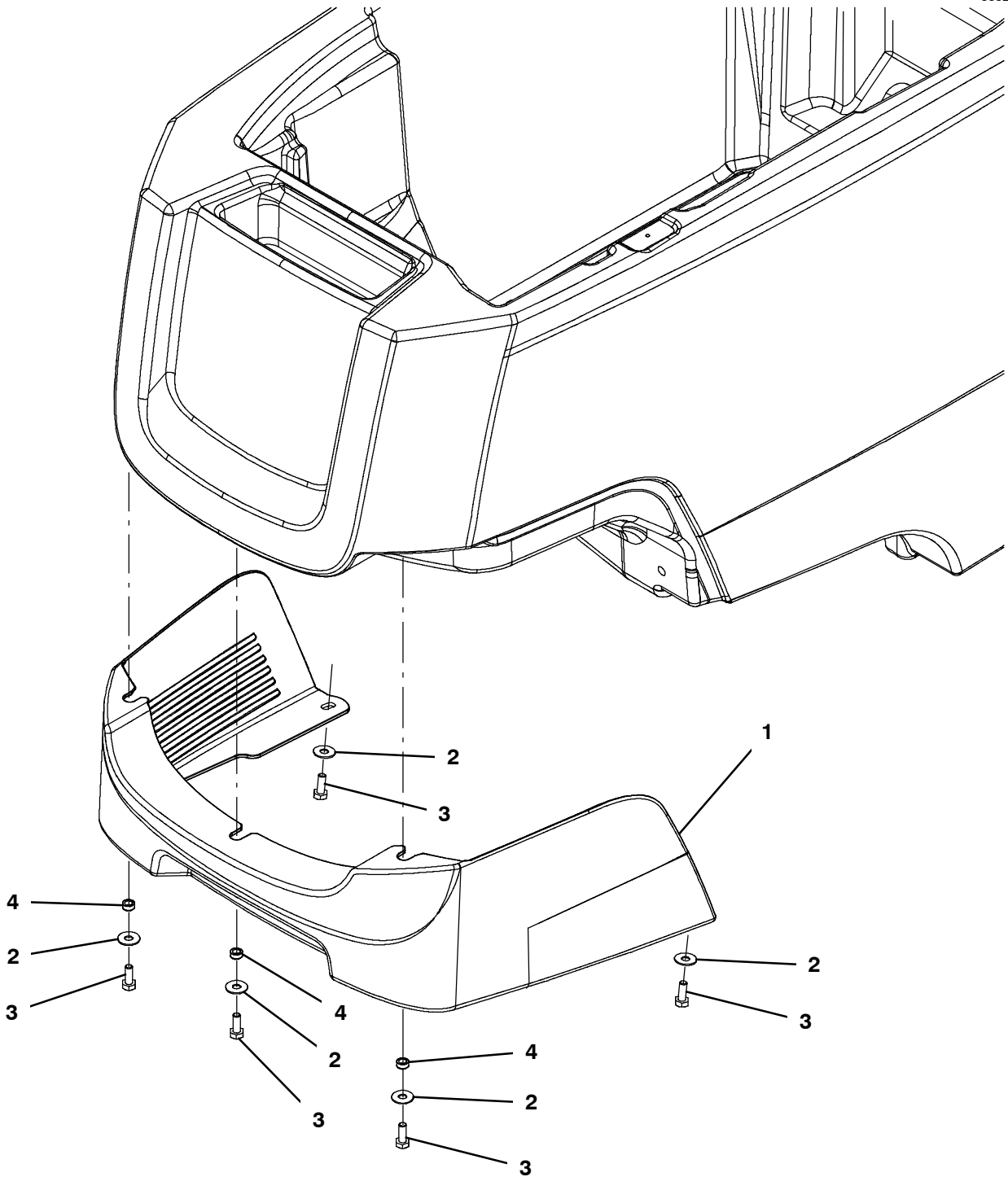
* Requires Tennant *True* service or an authorized Tennant service provider.

▽ ASSEMBLY

▲ INCLUDED IN ASSEMBLY

SHROUD GROUP, DISK AND ORBITAL HEAD

355299

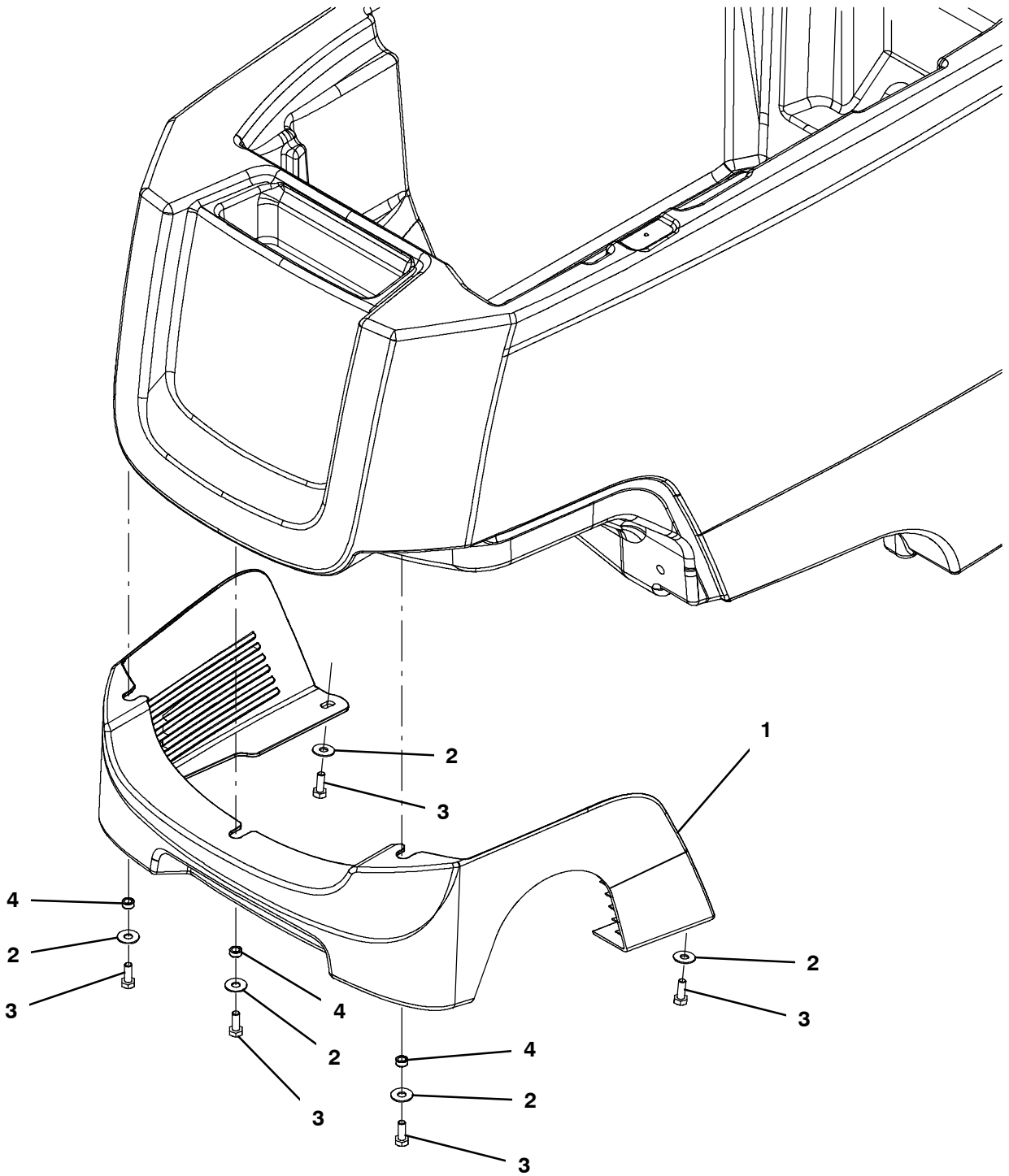


SHROUD GROUP, DISK AND ORBITAL HEAD

Ref.	Part No.	Serial Number	Description	Qty.
1	1210029	(10000000- 20000000)	Cover, Head, Disk, Im- Hg [T300]	1
2	01684	(10000000- 20000000)	Washer, Flat, 0.27b 0.69d .05, Ss	5
3	11329	(10000000- 20000000)	Screw, Hex, M6 X 1.00 X 16, NI, Ss	5
4	80491	(10000000- 20000000)	Sleeve, P/M, 0.25b 0.38d 0.2l [430ss]	3

SHROUD GROUP, CYLINDRICAL HEAD

355300



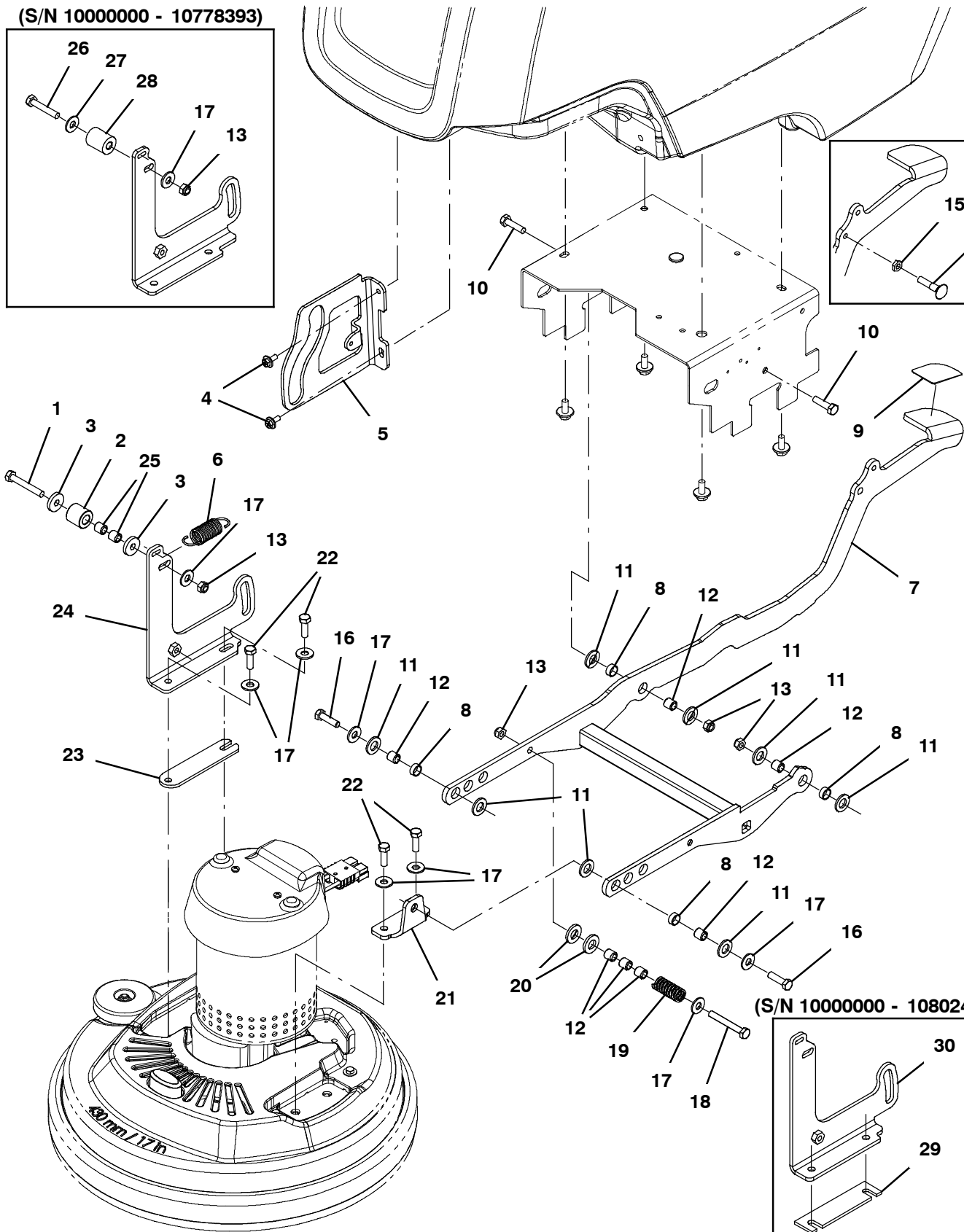
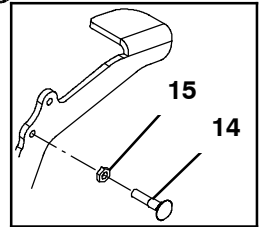
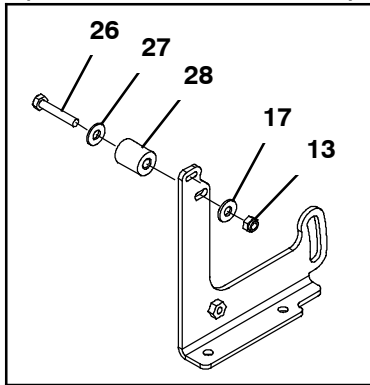
SHROUD GROUP, CYLINDRICAL HEAD

Ref.	Part No.	Serial Number	Description	Qty.
1	1213570	(10000000- 20000000)	Cover, Head, Cylrlcl, Im- Hg [T300]	1
2	01684	(10000000- 20000000)	Washer, Flat, 0.27b 0.69d .05, Ss	5
3	11329	(10000000- 20000000)	Screw, Hex, M6 X 1.00 X 16, NI, Ss	5
4	80491	(10000000- 20000000)	Sleeve, P/M, 0.25b 0.38d 0.2l [430ss]	3

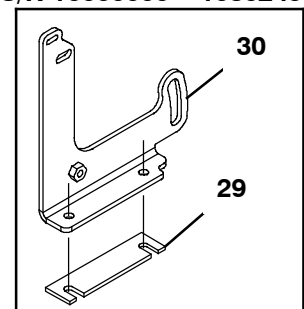
SCRUB HEAD LIFT GROUP, 43CM DISK MODEL

355354

(S/N 1000000 - 10778393)



(S/N 1000000 - 10802497)



SCRUB HEAD LIFT GROUP, 43CM DISK MODEL

Ref.	Part No.	Serial Number	Description	Qty.
1	222504	(10778394- 20000000)	Screw, Hex, M8 X 1.25 X 55, Ss	1
2	1028796	(10778394- 20000000)	Washer, Flat, 0.33b 1.00d .18, Stl, Pl	2
3	1014020	(10778394- 20000000)	Roller, 0.99d 0.50b 0.95l, Acetal	1
4	1034731	(10000000- 20000000)	Screw, Hex, M6 X 1.00 X 16, Sems, Ss	2
5	1213063	(10000000- 20000000)	Bracket, Guide, Head [Vw]	1
6	1032420	(10000000- 20000000)	Spring, Extn, 0.85od 0.09wir 02.9l	1
▽	7	9016811	(10887017- 20000000) Kit, Lift, Head, Ci [T300/T300e/Ss300]	1
▲	8	630188	(10000000- 20000000) Bearing, Journal, .50id X .25l	8
▽	7	9014170	(10000000- 10887016) Kit, Lift, Head[T300/T300e/Ss300] (Replaced by 9016811)	1
▲	8	630188	(10000000- 20000000) Bearing, Journal, .50id X .25l	8
9	1218694	(10000000- 20000000)	Pad, Pedal, Lift	1
10	09011	(10000000- 20000000)	Screw, Hex, M8 X 1.25 X 30, Ss	2
11	1013936	(10000000- 20000000)	Washer, Flat, 0.51b 0.94d .10, Nyl	8
12	222460	(10000000- 20000000)	Sleeve, P/M, 0.32b 0.50d 0.5l [430ss]	7
13	08713	(10000000- 20000000)	Nut, Hex, Lock, M8 X 1.25, NI, Ss	4
14	1235108	(10000000- JAN2020)	Bolt, Carriage, M8 X 1.25 X 90, Fl	1
15	200101017	(10000000- JAN2020)	Nut, Hex, Jam, M8 X 1.25	1
16	1016399	(10000000- 20000000)	Screw, Hex, M8 X 1.25 X 30, NI, Ss	2
17	01685	(10000000- 20000000)	Washer, Flat, 0.38b 0.88d .08, Ss	8
18	1014163	(10000000- 20000000)	Screw, Hex, M8 X 1.25 X 60, Fl, Ss	1
19	140430	(10000000- 20000000)	Spring, Cmpr, 0.70od .10wir 01.7l	1
20	140127	(10000000- 20000000)	Washer, Thrust, 0.51b 1.00d 0.12w, Brz	2
21	1210258	(10000000- 20000000)	Bracket Wldt, Head Mtg, 43d/50d, Short	1
22	12333	(10000000- 20000000)	Screw, Hex, M8 X 1.25 X 25, Ss, NI	4
23	1223982	(10802498- 20000000)	Spacer, Head, 4mm (Push Model)	1
24	1223962	(10802498- 20000000)	Bracket Wldt, Mtg, Head, 43d/50d, Tall	1
25	222460	(10778394- 20000000)	Sleeve, P/M, 0.32b 0.50d 0.5l [430ss]	2
26	49694	(10000000- 10778393)	Screw, Hex, M8 X 1.25 X 50, Ss	1
27	01685	(10000000- 10778393)	Washer, Flat, 0.38b 0.88d .08, Ss	1
28	1214039	(10000000- 10778393)	Roller, Lift, Head	1
29	1032791	(10000000- 10802497)	Spacer, Head, 4mm [Ss3] (Push Model)	1
30	1210256	(10000000- 10802497)	Bracket Wldt, Mtg, Head, 50d, Tall [Vw] (Replaced By 1223962)	1

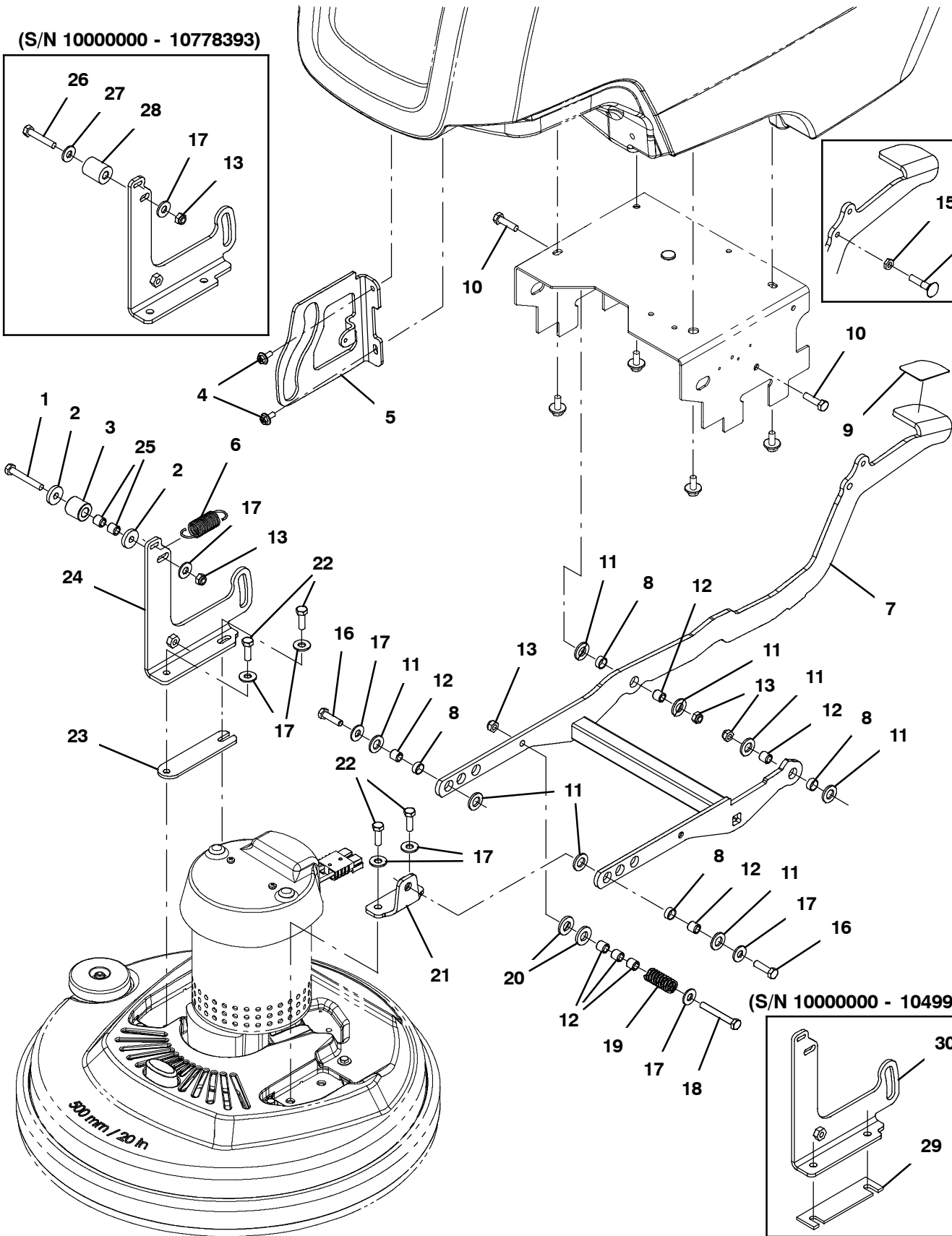
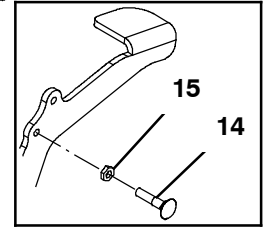
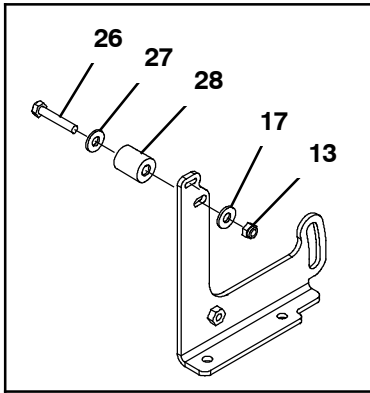
▽ ASSEMBLY

▲ INCLUDED IN ASSEMBLY

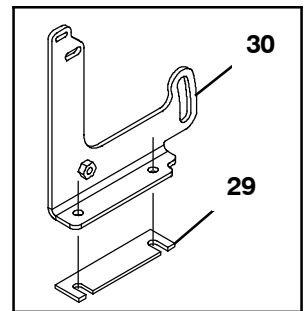
SCRUB HEAD LIFT GROUP, 50CM DISK MODEL

355355

(S/N 1000000 - 10778393)



(S/N 1000000 - 10499416)



SCRUB HEAD LIFT GROUP, 50CM DISK MODEL

Ref.	Part No.	Serial Number	Description	Qty.
1	222504	(10778394- 20000000)	Screw, Hex, M8 X 1.25 X 55, Ss	1
2	1028796	(10778394- 20000000)	Washer, Flat, 0.33b 1.00d .18, Stl, Pl	2
3	1014020	(10778394- 20000000)	Roller, 0.99d 0.50b 0.95l, Acetal	1
4	1034731	(10000000- 20000000)	Screw, Hex, M6 X 1.00 X 16, Sems, Ss	2
5	1213063	(10000000- 20000000)	Bracket, Guide, Head [Vw]	1
6	1032420	(10000000- 20000000)	Spring, Extn, 0.85od 0.09wir 02.9l	1
▽	7	9016811	(10887017- 20000000) Kit, Lift, Head, Ci [T300/T300e/Ss300]	1
▲	8	630188	(10000000- 20000000) Bearing, Journal, .50id X .25l	8
▽	7	9014170	(10000000- 10887016) Kit, Lift, Head[T300/T300e/Ss300] (Replaced by 9016811)	1
▲	8	630188	(10000000- 20000000) Bearing, Journal, .50id X .25l	8
9	1218694	(10000000- 20000000)	Pad, Pedal, Lift	1
10	09011	(10000000- 20000000)	Screw, Hex, M8 X 1.25 X 30, Ss	2
11	1013936	(10000000- 20000000)	Washer, Flat, 0.51b 0.94d .10, Nyl	8
12	222460	(10000000- 20000000)	Sleeve, P/M, 0.32b 0.50d 0.5l [430ss]	7
13	08713	(10000000- 20000000)	Nut, Hex, Lock, M8 X 1.25, NI, Ss	4
14	1235108	(10000000- JAN2020)	Bolt, Carriage, M8 X 1.25 X 90, Fl	1
15	200101017	(10000000- JAN2020)	Nut, Hex, Jam, M8 X 1.25	1
16	1016399	(10000000- 20000000)	Screw, Hex, M8 X 1.25 X 30, NI, Ss	2
17	01685	(10000000- 20000000)	Washer, Flat, 0.38b 0.88d .08, Ss	8
18	1014163	(10000000- 20000000)	Screw, Hex, M8 X 1.25 X 60, Fl, Ss	1
19	140430	(10000000- 20000000)	Spring, Cmpr, 0.70od .10wir 01.7l	1
20	140127	(10000000- 20000000)	Washer, Thrust, 0.51b 1.00d 0.12w, Brz	2
21	1210258	(10000000- 20000000)	Bracket Wldt, Head Mtg, 43d/50d, Short	1
22	12333	(10000000- 20000000)	Screw, Hex, M8 X 1.25 X 25, Ss, NI	4
23	1223982	(10499417- 20000000)	Spacer, Head, 4mm (Push Model)	1
24	1223962	(10499417- 20000000)	Bracket Wldt, Mtg, Head, 43d/50d, Tall	1
25	222460	(10778394- 20000000)	Sleeve, P/M, 0.32b 0.50d 0.5l [430ss]	2
26	49694	(10000000- 10778393)	Screw, Hex, M8 X 1.25 X 50, Ss	1
27	01685	(10000000- 10778393)	Washer, Flat, 0.38b 0.88d .08, Ss	1
28	1214039	(10000000- 10778393)	Roller, Lift, Head	1
29	1032791	(10000000- 10499416)	Spacer, Head, 4mm [Ss3] (Push Model)	1
30	1210256	(10000000- 10499416)	Bracket Wldt, Mtg, Head, 50d, Tall [Vw] (Replaced By 1223962)	1

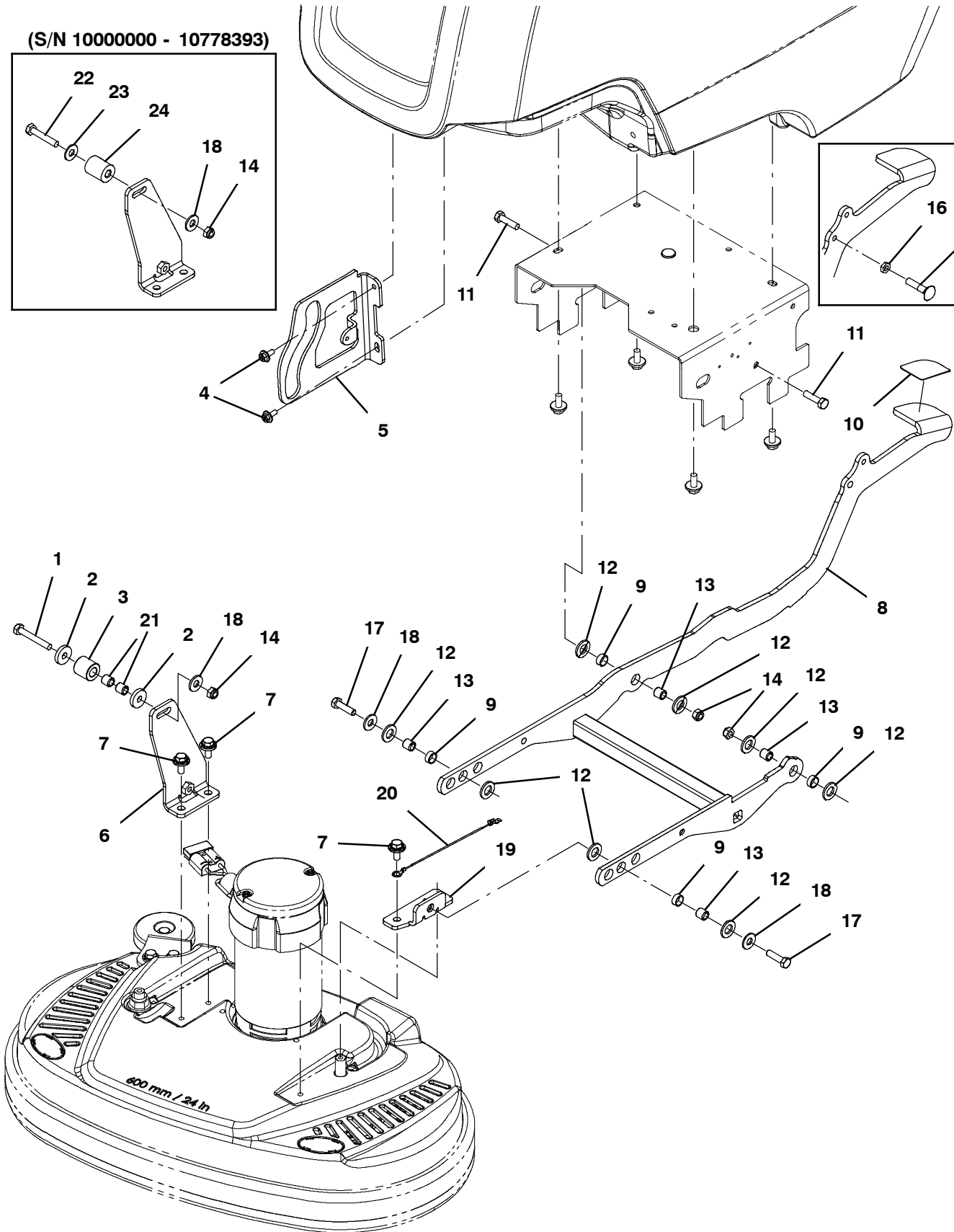
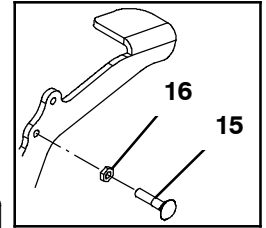
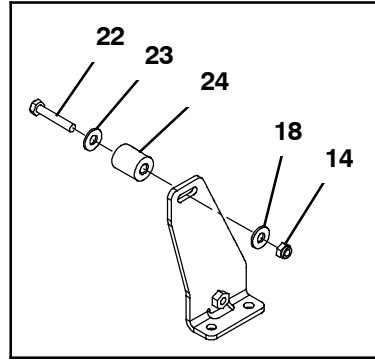
▽ ASSEMBLY

▲ INCLUDED IN ASSEMBLY

SCRUB HEAD LIFT GROUP, 60CM DUAL DISK MODEL

355356

(S/N 1000000 - 10778393)



SCRUB HEAD LIFT GROUP, 60CM DUAL DISK MODEL

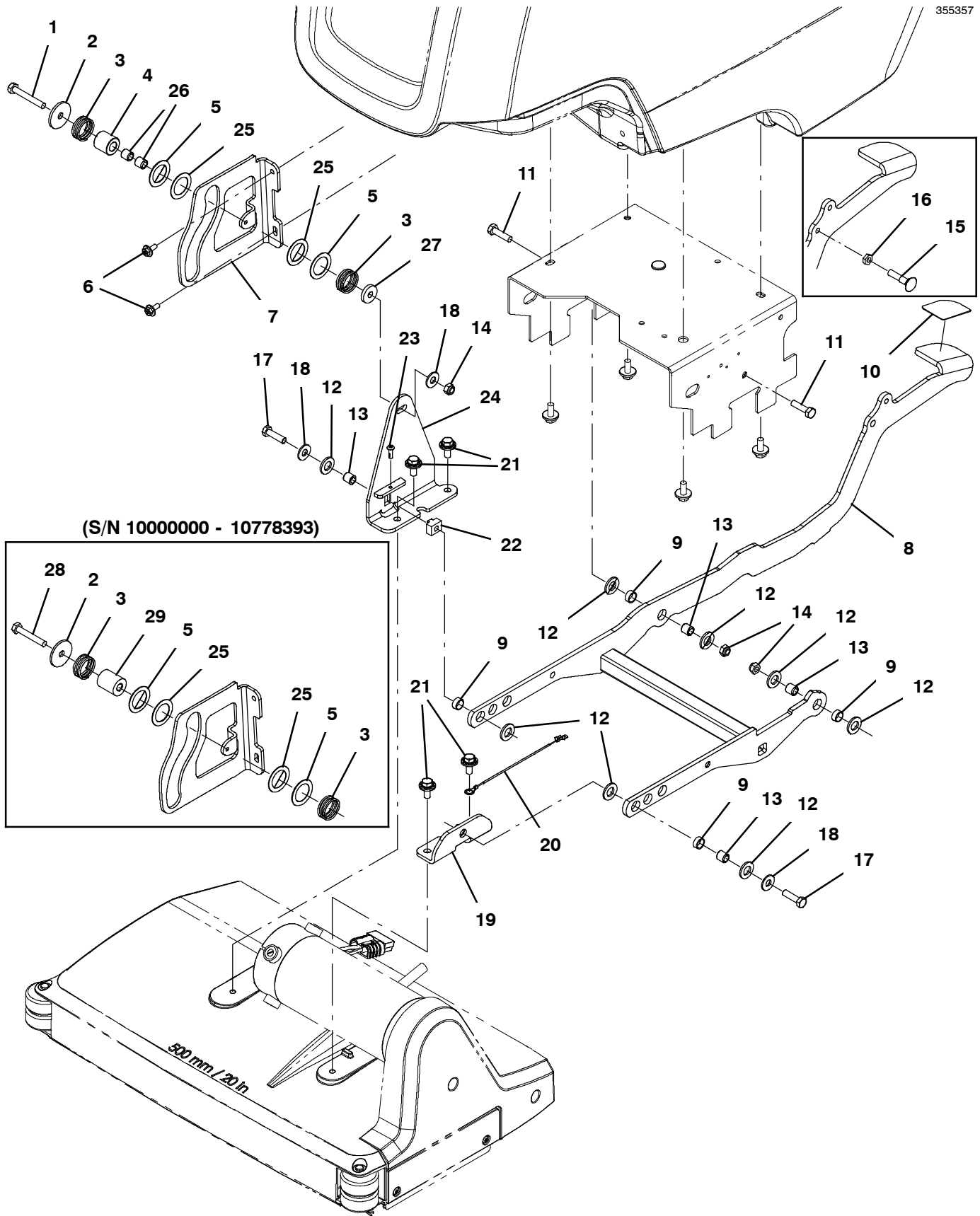
Ref.	Part No.	Serial Number	Description	Qty.
1	222504	(10778394- 20000000)	Screw, Hex, M8 X 1.25 X 55, Ss	1
2	1028796	(10778394- 20000000)	Washer, Flat, 0.33b 1.00d .18, Stl, Pl	2
3	1014020	(10778394- 20000000)	Roller, 0.99d 0.50b 0.95l, Acetal	1
4	1034731	(10000000- 20000000)	Screw, Hex, M6 X 1.00 X 16, Sems, Ss	2
5	1213063	(10000000- 20000000)	Bracket, Guide, Head [Vw]	1
6	1213220	(10000000- 20000000)	Bracket Wldt, Mtg, Head, 60dd, Tall [Vw]	1
7	1020341	(10000000- 20000000)	Screw, Hex, M8 X 1.25 X 20, Ss, Sems	3
▽	8	9016811	(10887017- 20000000) Kit, Lift, Head, Ci [T300/T300e/Ss300]	1
▲	9	630188	(10000000- 20000000) Bearing, Journal, .50id X .25l	8
▽	8	9014170	(10000000- 10887016) Kit, Lift, Head[T300/T300e/Ss300] (Replaced by 9016811)	1
▲	9	630188	(10000000- 20000000) Bearing, Journal, .50id X .25l	8
	10	1218694	(10000000- 20000000) Pad, Pedal, Lift	1
	11	09011	(10000000- 20000000) Screw, Hex, M8 X 1.25 X 30, Ss	2
	12	1013936	(10000000- 20000000) Washer, Flat, 0.51b 0.94d .10, Nyl	8
	13	222460	(10000000- 20000000) Sleeve, P/M, 0.32b 0.50d 0.5l [430ss]	4
	14	08713	(10000000- 20000000) Nut, Hex, Lock, M8 X 1.25, NI, Ss	3
	15	1235108	(10000000- JAN2020) Bolt, Carriage, M8 X 1.25 X 90, Fl	1
	16	200101017	(10000000- JAN2020) Nut, Hex, Jam, M8 X 1.25	1
	17	1016399	(10000000- 20000000) Screw, Hex, M8 X 1.25 X 30, NI, Ss	2
	18	01685	(10000000- 20000000) Washer, Flat, 0.38b 0.88d .08, Ss	3
	19	1213224	(10000000- 20000000) Bracket Wldt, Mtg, Head, 60dd, Short[Vw]	1
	20	1074344	(10000000- 20000000) Harness, Ele [Ring With .250m Tail]	4
	21	222460	(10778394- 20000000) Sleeve, P/M, 0.32b 0.50d 0.5l [430ss]	2
	22	49694	(10000000- 10778393) Screw, Hex, M8 X 1.25 X 50, Ss	1
	23	01685	(10000000- 10778393) Washer, Flat, 0.38b 0.88d .08, Ss	1
	24	1214039	(10000000- 10778393) Roller, Lift, Head	1

▽ ASSEMBLY

▲ INCLUDED IN ASSEMBLY

SCRUB HEAD LIFT GROUP, 50CM CYLINDRICAL MODEL

355357



SCRUB HEAD LIFT GROUP, 50CM CYLINDRICAL MODEL

Ref.	Part No.	Serial Number	Description	Qty.
1	222504	(10778394- 20000000)	Screw, Hex, M8 X 1.25 X 55, Ss	1
2	379829	(10000000- 20000000)	Washer, Flat, 0.34b 1.50d .12, Stl, Pl	1
3	1210103	(10000000- 20000000)	Spring, Cmpr, 1.23od 0.085wir 0.88l	2
4	1014020	(10778394- 20000000)	Roller, 0.99d 0.50b 0.95l, Acetal	1
5	20955	(10000000- 20000000)	Washer, Flat, 1.03b 1.50d .04, Stl, Pl	2
6	1034731	(10000000- 20000000)	Screw, Hex, M6 X 1.00 X 16, Sems, Ss	2
7	1213063	(10000000- 20000000)	Bracket, Guide, Head [Vw]	1
▽	8	9016811	(10887017- 20000000) Kit, Lift, Head, Ci [T300/T300e/Ss300]	1
▲	9	630188	(10000000- 20000000) Bearing, Journal, .50id X .25l	8
▽	8	9014170	(10000000- 10887016) Kit, Lift, Head[T300/T300e/Ss300] (Replaced by 9016811)	1
▲	9	630188	(10000000- 20000000) Bearing, Journal, .50id X .25l	8
	10	1218694	(10000000- 20000000) Pad, Pedal, Lift	1
	11	09011	(10000000- 20000000) Screw, Hex, M8 X 1.25 X 30, Ss	2
	12	1013936	(10000000- 20000000) Washer, Flat, 0.51b 0.94d .10, Nyl	8
	13	222460	(10000000- 20000000) Sleeve, P/M, 0.32b 0.50d 0.5l [430ss]	4
	14	08713	(10000000- 20000000) Nut, Hex, Lock, M8 X 1.25, NI, Ss	3
	15	1235108	(10000000- JAN2020) Bolt, Carriage, M8 X 1.25 X 90, Fl	1
	16	200101017	(10000000- JAN2020) Nut, Hex, Jam, M8 X 1.25	1
	17	1016399	(10000000- 20000000) Screw, Hex, M8 X 1.25 X 30, NI, Ss	2
	18	01685	(10000000- 20000000) Washer, Flat, 0.38b 0.88d .08, Ss	3
	19	1213226	(10000000- 20000000) Bracket Wldt, Mtg, Head, 50cyl [Short]	1
	20	1074344	(10000000- 20000000) Harness, Ele [Ring With .250m Tail]	1
	21	1020341	(10000000- 20000000) Screw, Hex, M8 X 1.25 X 20, Ss, Sems	4
	22	1221434	(10000000- 20000000) Nut, T, M8 X 1.25, Pm Ss [B5/B7, T300]	1
	23	1205799	(10000000- 20000000) Screw, Btn, M5 X 0.8 X 16, 8.8, NI, Torx	1
	24	1216222	(10000000- 20000000) Bracket Wldt, Mtg, Head	1
	25	1210112	(10000000- 20000000) Washer, Flat, 1.03b 1.50d .03, Nylon	2
	26	222460	(10778394- 20000000) Sleeve, P/M, 0.32b 0.50d 0.5l [430ss]	2
	27	1028796	(10778394- 20000000) Washer, Flat, 0.33b 1.00d .18, Stl, Pl	1
	28	49694	(10000000- 10778393) Screw, Hex, M8 X 1.25 X 50, Ss	1
	29	1214039	(10000000- 10778393) Roller, Lift, Head	1

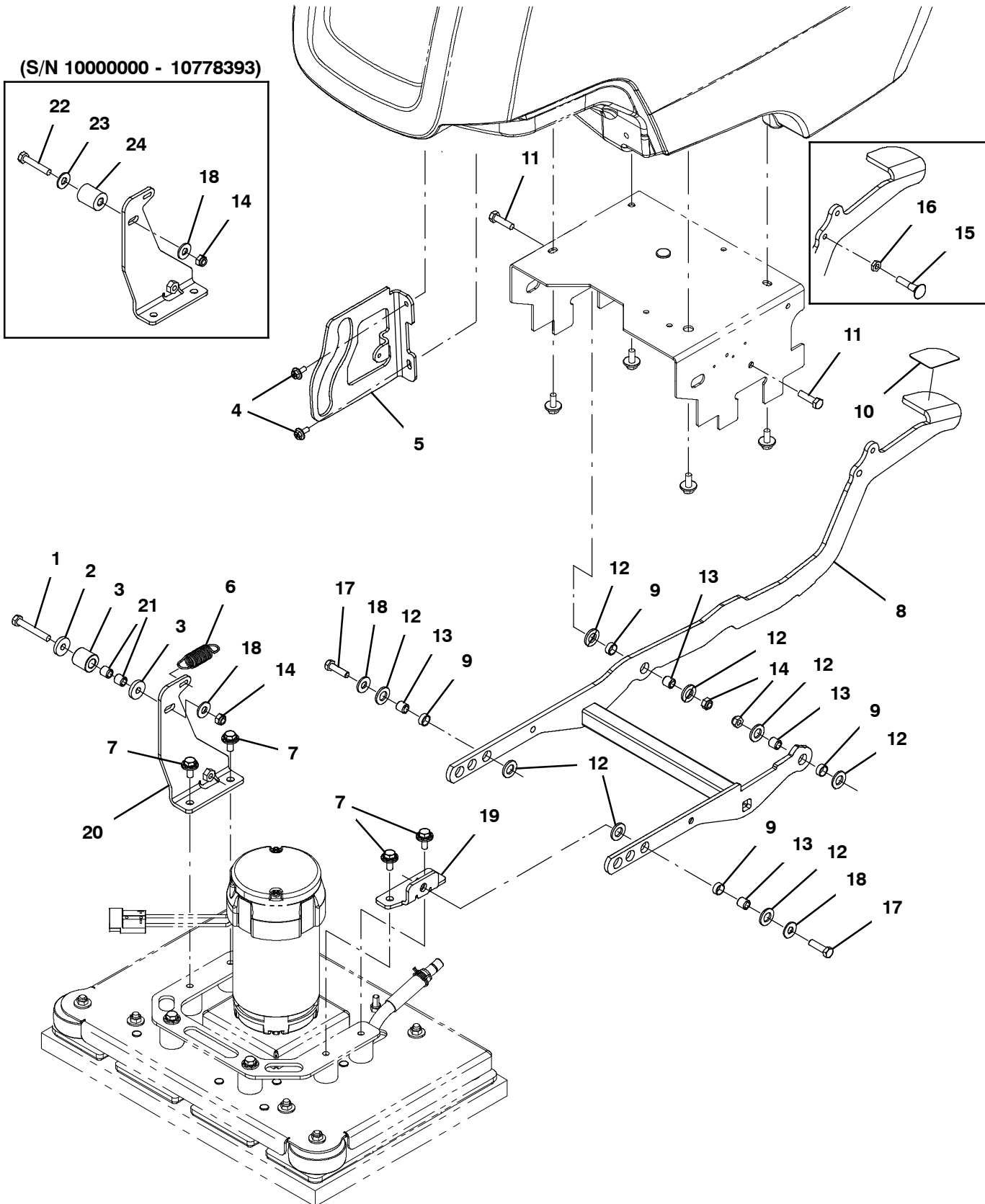
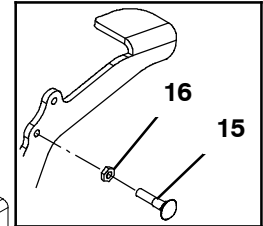
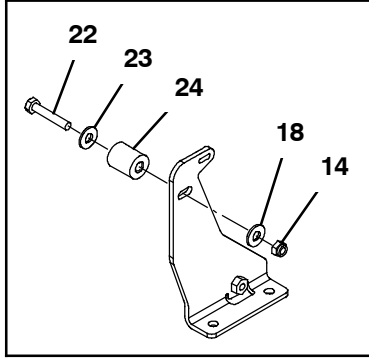
▽ ASSEMBLY

▲ INCLUDED IN ASSEMBLY

SCRUB HEAD LIFT GROUP, 50CM ORBITAL MODEL

355358

(S/N 1000000 - 10778393)



SCRUB HEAD LIFT GROUP, 50CM ORBITAL MODEL

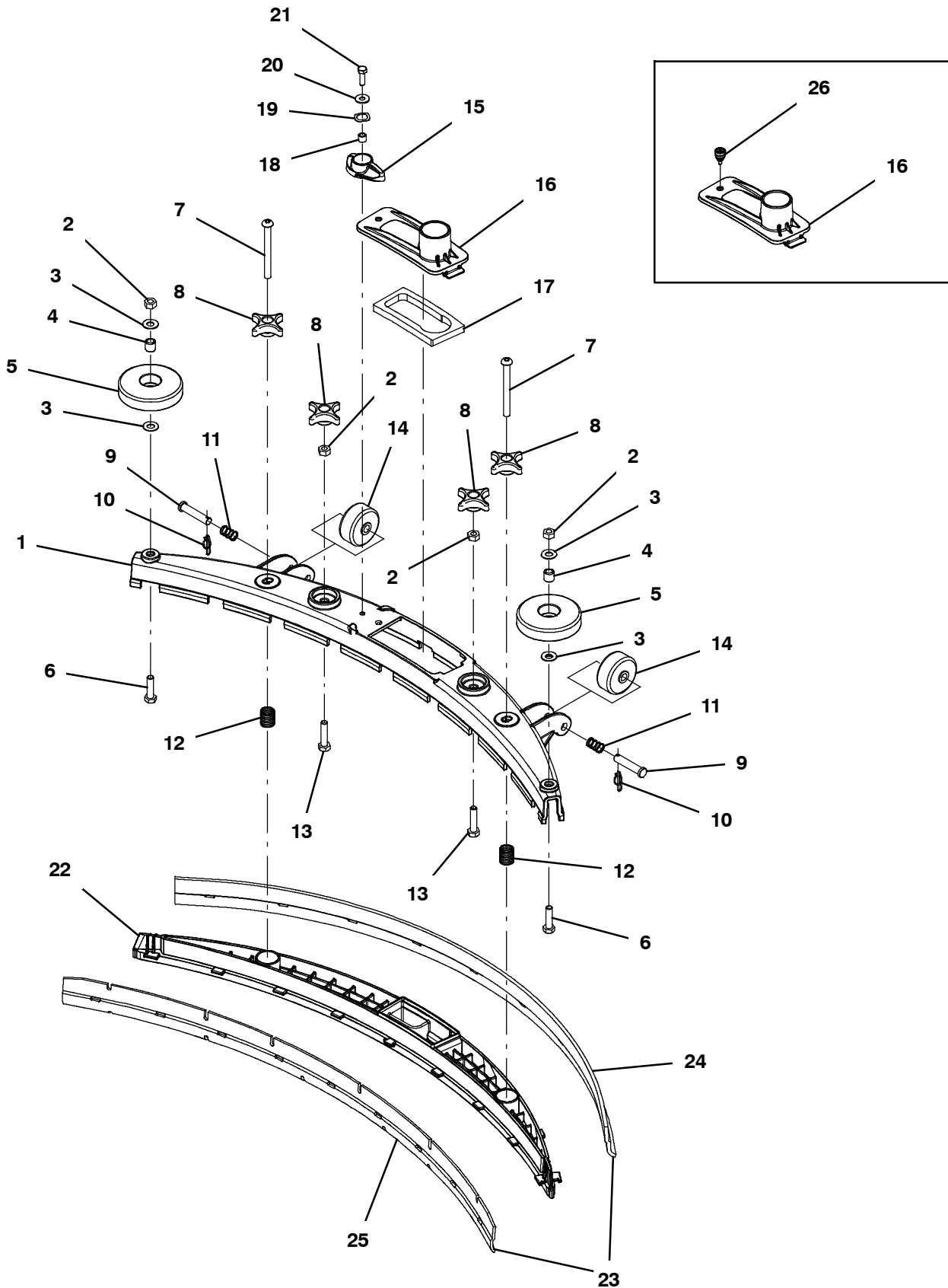
Ref.	Part No.	Serial Number	Description	Qty.
1	222504	(10778394- 20000000)	Screw, Hex, M8 X 1.25 X 55, Ss	1
2	1028796	(10778394- 20000000)	Washer, Flat, 0.33b 1.00d .18, Stl, Pl	2
3	1014020	(10778394- 20000000)	Roller, 0.99d 0.50b 0.95l, Acetal	1
4	1034731	(10000000- 20000000)	Screw, Hex, M6 X 1.00 X 16, Sems, Ss	2
5	1213063	(10000000- 20000000)	Bracket, Guide, Head [Vw]	1
6	1032420	(10000000- 20000000)	Spring, Extn, 0.85od 0.09wir 02.9l	1
7	1020341	(10000000- 20000000)	Screw, Hex, M8 X 1.25 X 20, Ss, Sems	4
▽	8	9016811	(10887017- 20000000) Kit, Lift, Head, Ci [T300/T300e/Ss300]	1
▲	9	630188	(10000000- 20000000) Bearing, Journal, .50id X .25l	8
▽	8	9014170	(10000000- 10887016) Kit, Lift, Head[T300/T300e/Ss300] (Replaced by 9016811)	1
▲	9	630188	(10000000- 20000000) Bearing, Journal, .50id X .25l	8
	10	1218694	(10000000- 20000000) Pad, Pedal, Lift	1
	11	09011	(10000000- 20000000) Screw, Hex, M8 X 1.25 X 30, Ss	2
	12	1013936	(10000000- 20000000) Washer, Flat, 0.51b 0.94d .10, Nyl	8
	13	222460	(10000000- 20000000) Sleeve, P/M, 0.32b 0.50d 0.5l [430ss]	4
	14	08713	(10000000- 20000000) Nut, Hex, Lock, M8 X 1.25, NI, Ss	3
	15	1235108	(10000000- JAN2020) Bolt, Carriage, M8 X 1.25 X 90, Fl	1
	16	200101017	(10000000- JAN2020) Nut, Hex, Jam, M8 X 1.25	1
	17	1016399	(10000000- 20000000) Screw, Hex, M8 X 1.25 X 30, NI, Ss	2
	18	01685	(10000000- 20000000) Washer, Flat, 0.38b 0.88d .08, Ss	3
	19	1212572	(10000000- 20000000) Bracket Wldt, Mtg, Head, Orb, Short [Vw]	1
	20	1213223	(10000000- 20000000) Bracket Wldt, Mtg, Head, Orb, Tall [Vw]	1
	21	222460	(10778394- 20000000) Sleeve, P/M, 0.32b 0.50d 0.5l [430ss]	2
	22	49694	(10000000- 10778393) Screw, Hex, M8 X 1.25 X 50, Ss	1
	23	01685	(10000000- 10778393) Washer, Flat, 0.38b 0.88d .08, Ss	1
	24	1214039	(10000000- 10778393) Roller, Lift, Head	1

▽ ASSEMBLY

▲ INCLUDED IN ASSEMBLY

SQUEEGEE ASSEMBLY, 500MM / 20IN

355437



SQUEEGEE ASSEMBLY, 500MM / 20IN

Ref.	Part No.	Serial Number	Description	Qty.
▽	9014172	(10000000- 20000000)	Squeegee Kit, Linatex, Ci [T300/E/Ss300]	1
▲	1 1230946	(10000000- 20000000)	Frame, Sqge, 50cm, Mach [T300]	1
▲	2 07786	(10000000- 20000000)	Nut, Hex, Std, M8 X 1.25, Ss	2
▲	3 140027	(10000000- 20000000)	Washer, Flat, 0.35b 0.75d .04, Ss	4
▲	4 222460	(10000000- 20000000)	Sleeve, P/M, 0.32b 0.50d 0.5l [430ss]	2
▲	5 1010560	(10000000- 20000000)	Wheel, Bmpr, 80d X 25w, Non- Marking	2
▲	6 1016399	(10000000- 20000000)	Screw, Hex, M8 X 1.25 X 30, NI, Ss	2
▲	7 1255358	(10000000- 20000000)	Screw, Btn, M8 X 1.25 X 85, Ss	2
▲	8 1213677	(10000000- 20000000)	Knob, Star, 2.00od 4ear M8x1.25 [Yel]	4
▲	9 17461	(10000000- 20000000)	Pin, Clevis, 0.37d X 1.75l	2
▲	10 1216647	(10000000- 20000000)	Pin, Cotter, Hair, 0.38d .054 Wir	2
▲	11 1017091	(10000000- 20000000)	Spring, Cmpr, 0.50od .04wir 00.8l	2
▲	12 22290	(10000000- 20000000)	Spring, Cmpr, 0.72od .06wir 02.3l	2
▲	13 09026	(10000000- 20000000)	Screw, Hex, M8 X 1.25 X 40, Ss	2
▲	14 630477	(10000000- 20000000)	Wheel, Pyu, 02.0d 0.38w, Gray	2
▲	15 1222109	(xxxxxxx- 20000000)	Knob, Sqge, 58l, M6 X 1.00, Plstc	1
▲	16 1209631	(10000000- 20000000)	Cover, Trap, Water, Sqge	1
▲	17 1210756	(10000000- 20000000)	Gasket, Trap, Water, Sqge	1
▲	18 140154	(xxxxxxx- 20000000)	Sleeve, P/M, 0.25b 0.38d 0.3l, PI	1
▲	19 140060	(xxxxxxx- 20000000)	Washer, .505 X .750 X 0.45 Wave	1
▲	20 01684	(xxxxxxx- 20000000)	Washer, Flat, 0.27b 0.69d .05, Ss	1
▲	21 12277	(xxxxxxx- 20000000)	Screw, Hex, M6 X 1.00 X 20, NI, Ss	1
▲	22 1203638	(10000000- 20000000)	Retainer, Sqge [T300]	1
▲▽	23 9015731	(10000000- 20000000)	Blade Kit, 500mm, Linatex (Standard)	1
▲▲	24 1203953	(10000000- 20000000)	Blade, Sqge, Rear, 836l, Linatex[500mm] (Standard)	1
▲▲	25 1203954	(10000000- 20000000)	Blade, Sqge, Front, 788l, Linatex[500mm] (Standard)	1
▽	23 9015732	(10000000- 20000000)	Blade Kit, 500mm, Urethane (Option)	1
▲	24 1215609	(10000000- 20000000)	Blade, Sqge, Rear, 836l, Urethane[500mm] (Option)	1
▲	25 1215611	(10000000- 20000000)	Blade, Sqge, Front, 788l, Urethane[500mm] (Option)	1
▽	23 9015730	(10000000- 20000000)	Blade Kit, 500mm, Gum (Option)	1
▲	24 1215610	(10000000- 20000000)	Blade, Sqge, Rear, 836l, Gum[500mm] (Option)	1
▲	25 1215612	(10000000- 20000000)	Blade, Sqge, Front, 788l, Gum[500mm] (Option)	1
	26 1212683	(10000000- xxxxxxx)	Screw, Captive, M5, Knurled [Snap In]	1

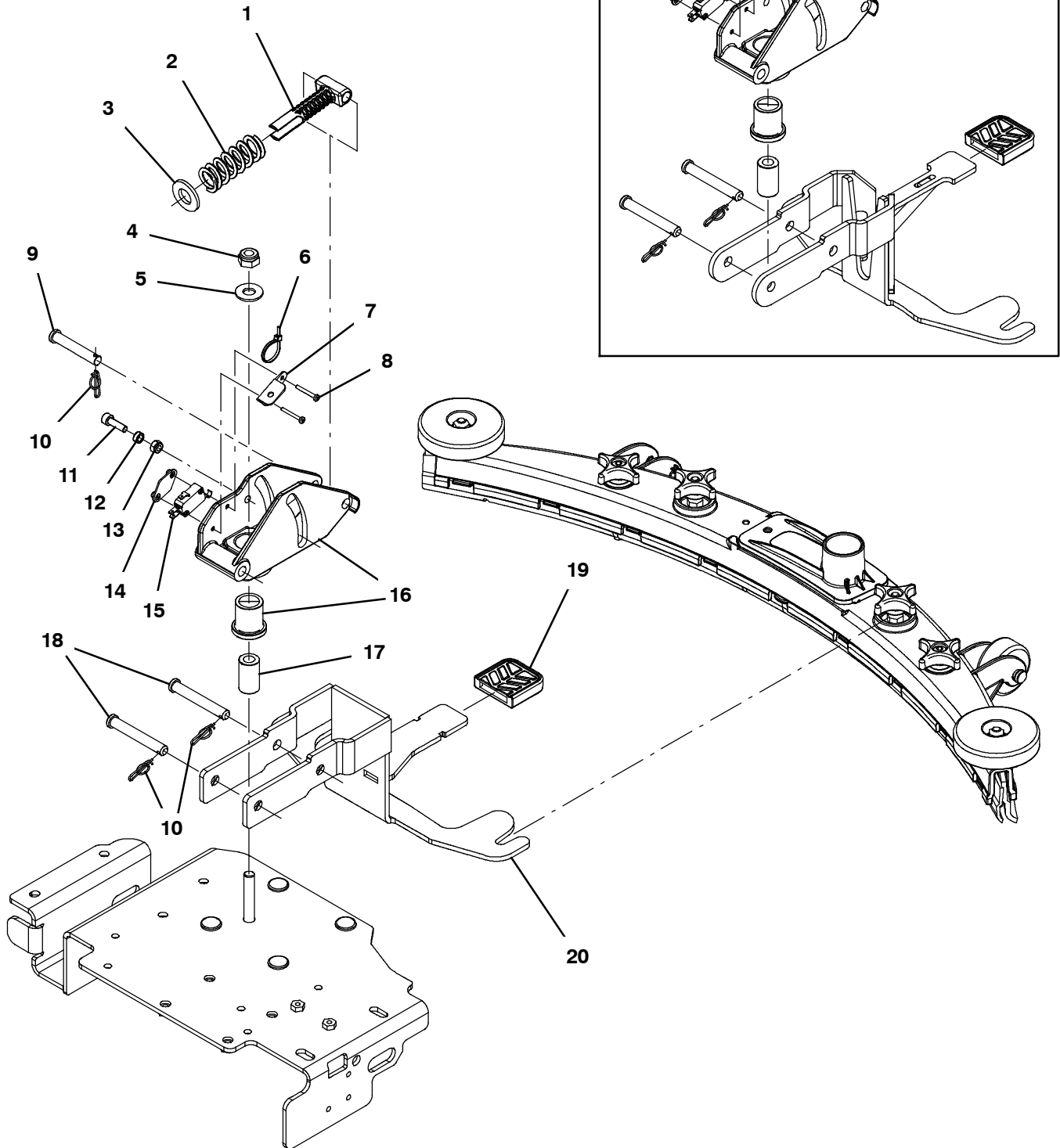
▽ ASSEMBLY

▲ INCLUDED IN ASSEMBLY

SQUEEGEE LIFT GROUP

355305

(S/N 1000000 - 10859579)

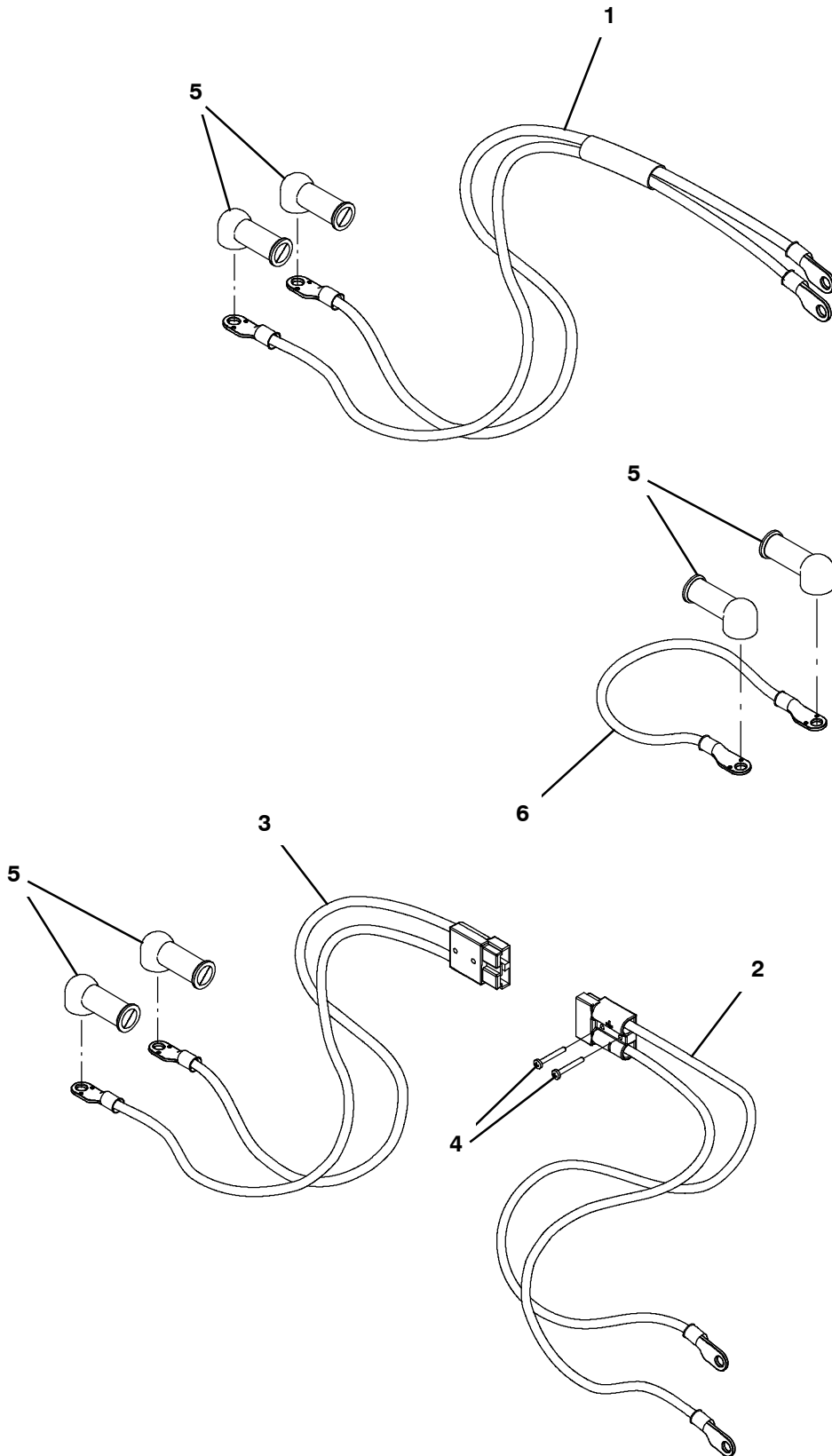


SQUEEGEE LIFT GROUP

Ref.	Part No.	Serial Number	Description	Qty.
1	1230485	(10000000- 20000000)	Pin, Guide, Spring [T300]	1
2	1215756	(10000000- 20000000)	Spring, Cmpr, 0.98od .146wir 02.5l	1
3	69954	(10000000- 20000000)	Washer, Thrust, 0.63b 1.25d 0.13w	1
4	08714	(10000000- 20000000)	Nut, Hex, Lock, M10 X 1.5, NI, Ss	1
5	140045	(10000000- 20000000)	Washer, Flat, 0.51b 1.25d .06, Ss	1
6	130773	(10859580- 20000000)	Tie, Cable, Nyl, 11.0l, .14w, 3.0 Max. D	1
7	1233709	(10859580- 20000000)	Bracket, Retaining, Wire [T300]	1
8	33933	(10000000- 20000000)	Screw, Pan, Phl, M3 X 0.50 X 25, Ss	2
9	51813	(10000000- 20000000)	Pin, Clevis, 0.37d X 2.12l	1
10	1216647	(10000000- 20000000)	Pin, Cotter, Hair, 0.38d .054 Wir	3
11	33951	(10000000- 20000000)	Screw, Soc, M6 X 1.00 X 20, 12.9	1
12	80491	(10000000- 20000000)	Sleeve, P/M, 0.25b 0.38d 0.2l [430ss]	1
13	08712	(10000000- 20000000)	Nut, Hex, Lock, M6 X 1.00, NI, Ss	1
14	1013705	(10000000- 20000000)	Plate, Thread, Switch, M3 Nut, 96hr PI	1
15	1215716	(10000000- 20000000)	Switch, 0.1a, Spdt[Micro, Gold Contacts]	1
16	9014301	(10000000- 20000000)	Bracket Kit, Sqge, Lift [T300/E, Ss300]	1
17	1214467	(10000000- 20000000)	Sleeve, P/M, 0.41b 0.75d 1.3l [430ss]	1
18	391179	(10000000- 20000000)	Pin, Clevis, 0.37d X 2.62l	2
19	1212533	(10000000- 20000000)	Cover, Pedal, Lift	1
20	9014303	(10000000- 20000000)	Bracket Kit, Sqge, Wdt [T300/E, Ss300]	1

BATTERY CABLE GROUP

355403



BATTERY CABLE GROUP

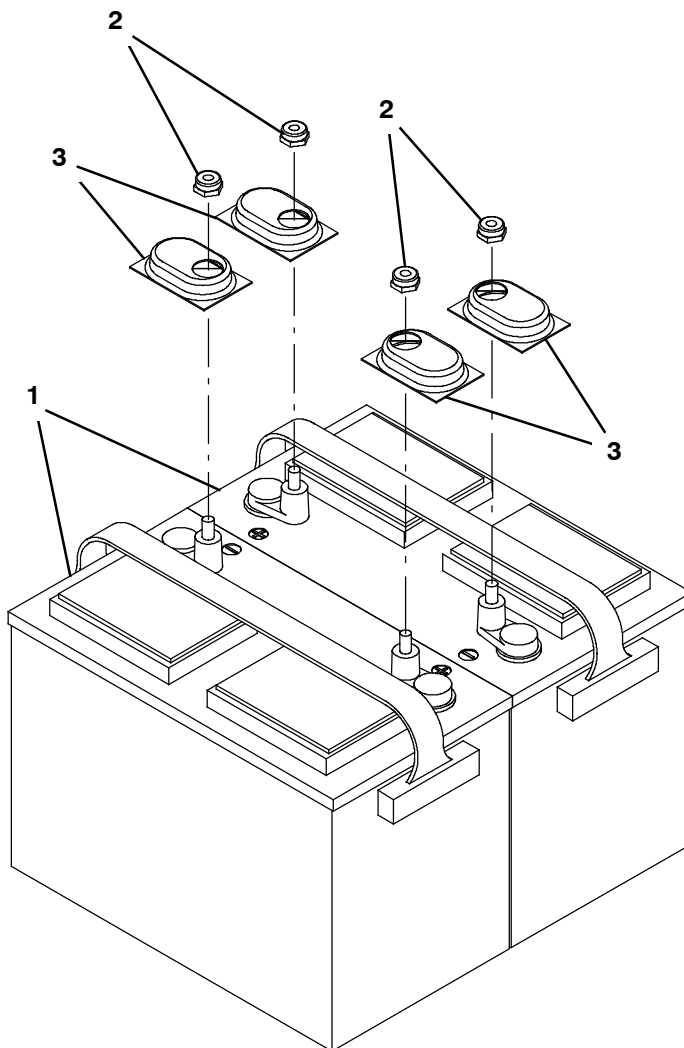
Ref.	Part No.	Serial Number	Description	Qty.	
1	1074847	(10790532- 20000000)	Cable, Assy [T300e] (Standard - Without Battery Lift Out Kit Option)	1	
▽	9014781	(10000000- 20000000)	Cable Kit, Battery, Ring, Tray,Ci[T300e] (Required for Battery Lift Out Kit Option)	1	
▲	2	1073629	(10000000- 10790531)	Cable, Battery, 4ga [M8 Ring/M8 Ring]	1
▲	3	1073628	(10000000- 10790531)	Cable, Battery, 4ga [M8 Ring/M8 Ring]	1
▲	4	33931	(10000000- 10790531)	Screw, Pan, Phl, M4 X 0.70 X 30, Ss	2
	5	611221	(10790532- 20000000)	Boot, Terminal, Battery, 25.4mm, Blk	2
	5	611221	(10000000- 10790531)	Boot, Terminal, Battery, 25.4mm, Blk	4
	6	1073680	(10000000- 20000000)	Cable, 04ga 15.0l Blk [M8 Ring/M8 Ring]	1

▽ ASSEMBLY

▲ INCLUDED IN ASSEMBLY

BATTERY GROUP, 105AH C20 WET

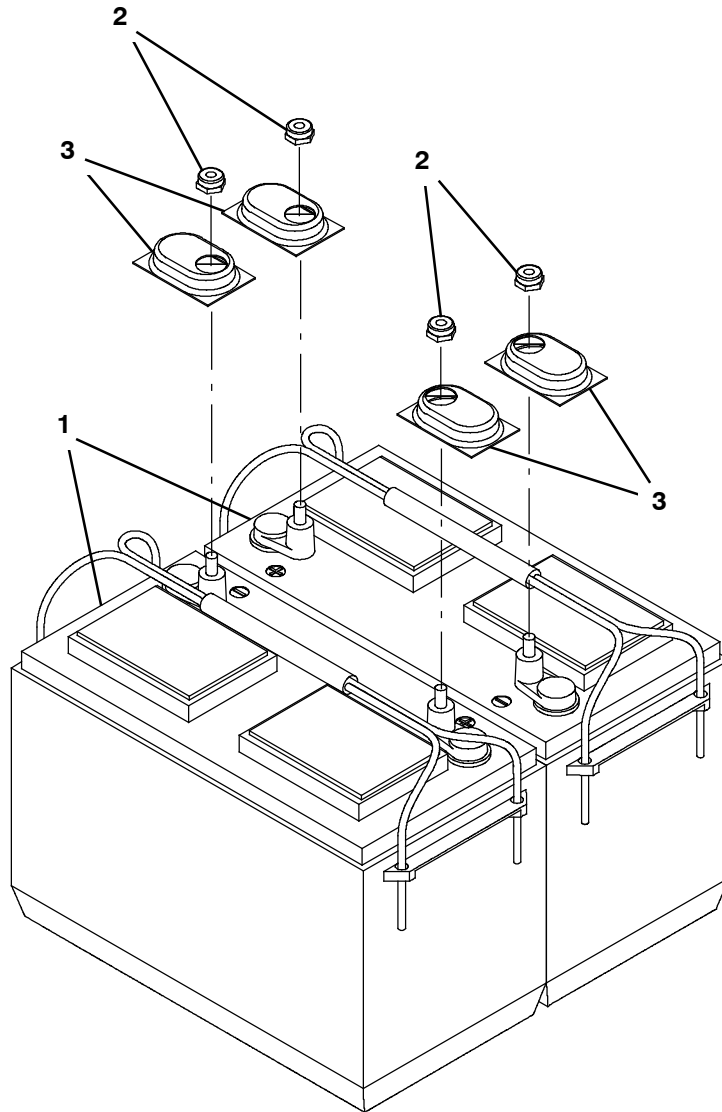
355359



Ref.	Part No.	Serial Number	Description	Qty.
1	578426	(10000000-20000000)	Battery, Wet, 12vdc 0105ah [S8, 27tmx]	2
2	87435	(10000000-20000000)	Nut, Hex, Flexlock, .31 - 18	4
3	45962	(10000000-20000000)	Cap, Battery, White [For 105ah & 130ah]	4

BATTERY GROUP, 130AH C20 WET

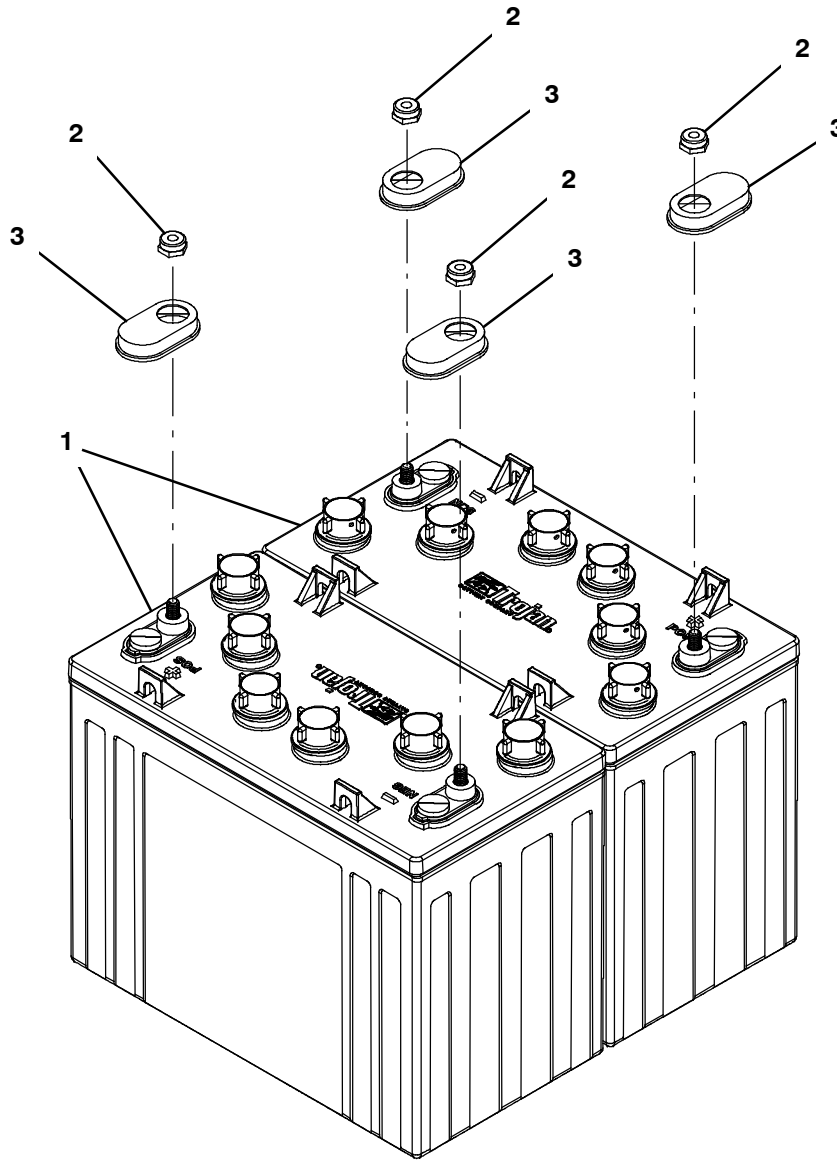
355360



Ref.	Part No.	Serial Number	Description	Qty.
1	130869	(10000000- 20000000)	Battery, Wet, 12vdc 0130ah [30xhs- Wnt]	2
2	87435	(10000000- 20000000)	Nut, Hex, Flexlock, .31 - 18	4
3	45962	(10000000- 20000000)	Cap, Battery, White [For 105ah & 130ah]	4

BATTERY GROUP, 150AH C20 WET

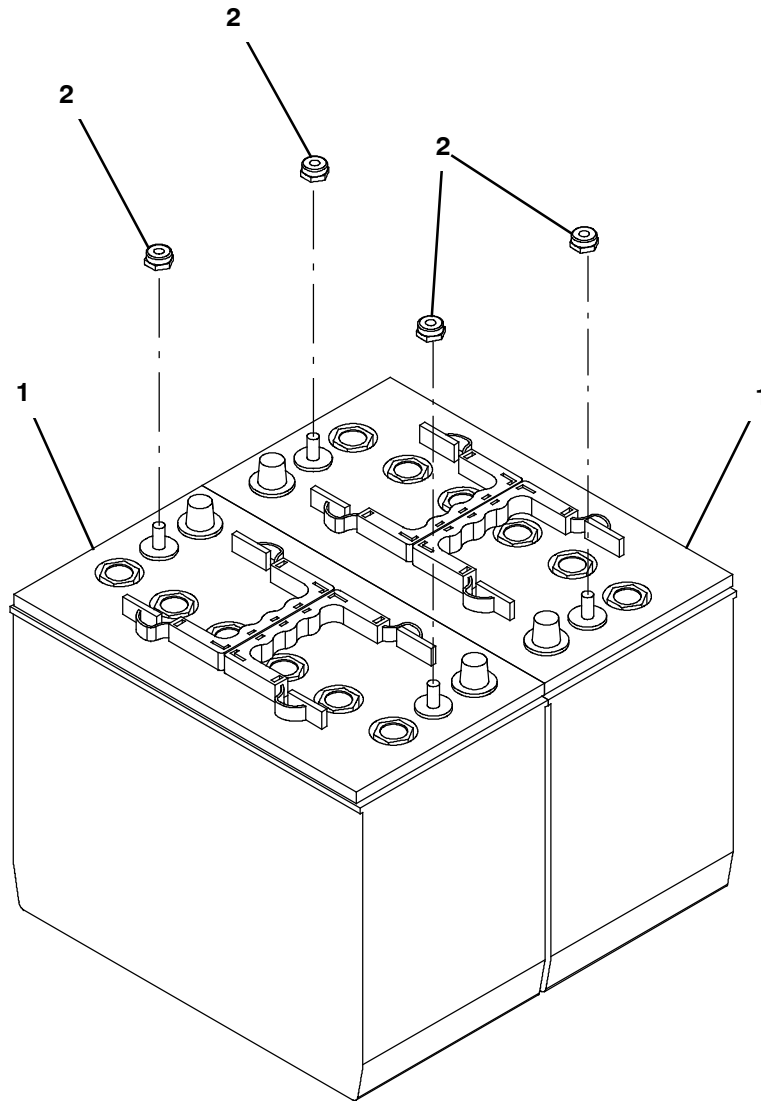
355361



Ref.	Part No.	Serial Number	Description	Qty.
1	1015046	(10000000-20000000)	Battery, Wet, 12vdc 0150ah	2
2	87435	(10000000-20000000)	Nut, Hex, Flexlock, .31 - 18	4
3	1041030	(10000000-20000000)	Cap, Battery, Black [For 155ah]	4

BATTERY GROUP, 140AH C20 AGM

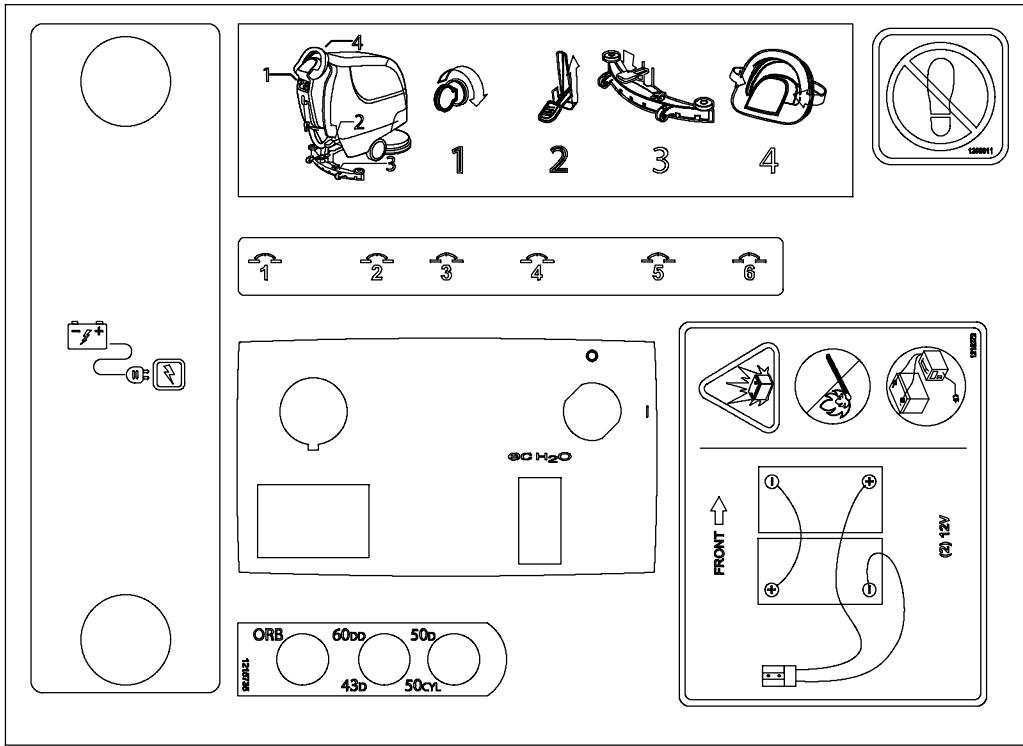
355362



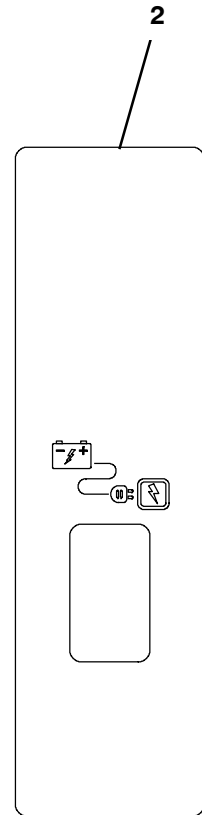
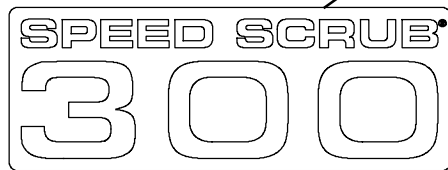
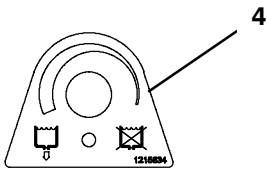
Ref.	Part No.	Serial Number	Description	Qty.
1	1053408	(10000000-20000000)	Battery, 12vdc 0140ah [Agm]	2
2	87435	(10000000-20000000)	Nut, Hex, Flexlock, .31 - 18	4

LABEL GROUP

355366



500 x 355 mm / 20 x 14 in



LABEL GROUP

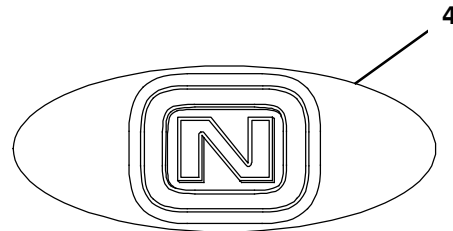
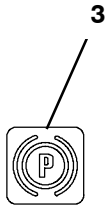
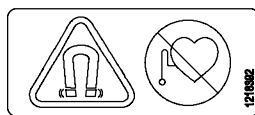
Ref.	Part No.	Serial Number	Description	Qty.
1	1236088	(10000000- 20000000)	Label Sheet, Operational [T300/Ss300]	1
2	1225763	(10000000- 20000000)	Label, Decal, Charger, Off- Board	1
3	1214279	(10000000- 20000000)	Label, Orbital, Size, 50cm (Orbital Head)	1
4	1215634	(10000000- 20000000)	Label, Opertnl, Solution Knob Adj	1
5	1215264	(10000000- 20000000)	Label, Speed Scrub 300	2
6	1216533	(10000000- 20000000)	Label, Logo [Ech2o Nano Nobles] (ec- H2O Model)	2

LABEL GROUP - CONT'D

355367

1

	⚠ WARNING	⚠ AVERTISSEMENT	⚠ ADVERTENCIA
	<p>TO REDUCE THE RISK OF FIRE, EXPLOSION, ELECTRICAL SHOCK, OR INJURY:</p> <ul style="list-style-type: none"> Read manual before operating machine. Do not use on pick up flammable materials. Do not use near flammable liquids, vapors or combustible dusts. Batteries emit hydrogen gas. Explosion or fire can result. Keep sparks and open flame away when charging. Disconnect battery cables and charger plug before servicing machine. Do not charge batteries with damaged vent. Do not use outdoors. Store indoors. 	<p>POUR RÉDUIRE LES RISQUES D'INCENDIE, L'EXPLOSION, DE CHOC ÉLECTRIQUE OU DE LÉSION:</p> <ul style="list-style-type: none"> Lisez le manuel avant d'utiliser la machine. N'utilisez pas ou ne ramassez pas de matériaux inflammables. N'utilisez pas près de liquides, vapeurs ou poussières inflammables. Les batteries émettent de l'hydrogène gazeux. Risque d'incendie et d'explosion. Évitez toute étincelle et toute flamme nue lors de la charge des batteries. Débranchez les câbles des batteries et le cordon du chargeur avant l'entretien de la machine. Ne chargez pas les batteries avec un cordon endommagé. N'utilisez pas à l'extérieur. Entrez-les à l'intérieur. 	<p>PARA REDUCIR EL RIESGO DE INCENDIO, EXPLOSION, CHOQUE ELÉCTRICO, O LESIONES:</p> <ul style="list-style-type: none"> Lee el manual antes de utilizar la máquina. No utilice ni recoja materiales inflamables. No utilice ni recoja cerca de líquidos, polvo o vapores inflamables. Las baterías emiten hidrógeno. Peligro de incendio o explosión. Mantenga la máquina alejada de chispas y llamas cuando se está cargando. Desconecte los cables de la batería antes de realizar el servicio a la máquina. No cargue las baterías si el cable está dañado. No utilice la máquina si está libre. Guárdela en un lugar cerrado.
<p>1216002</p>	<p>120004</p>	<p>SC H₂O</p> <p>70°F/21°C</p> <p>120001</p>	<p>1216001</p>

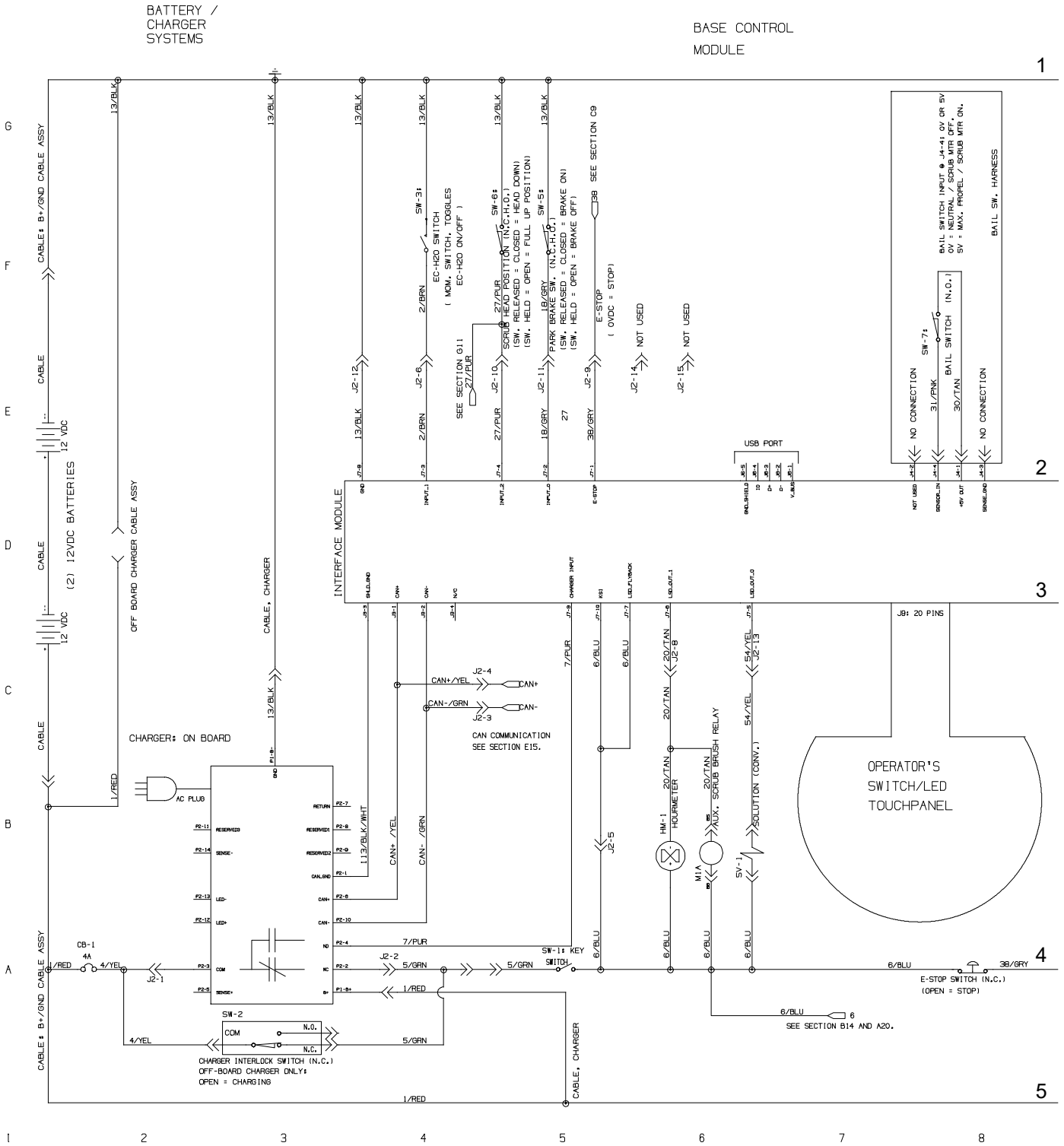


LABEL GROUP - CONT'D

Ref.	Part No.	Serial Number	Description	Qty.
1	1220962	(10000000- 20000000)	Label Sheet, Info/Hzrd [T500, Na]	1
2	1218392	(10000000- 20000000)	Label, Safety, Magnet, Med (Magnetic Heads)	1
3	1224990	(10000000- 20000000)	Label, Opertnl, Parking Brake (Optional)	1
4	1206159	(10000000- 20000000)	Label, Logo, 05.5l [Nobles]	1

ELECTRICAL DIAGRAM, PROPEL (S/N 10891949 -) (PAGE 1 OF 3)

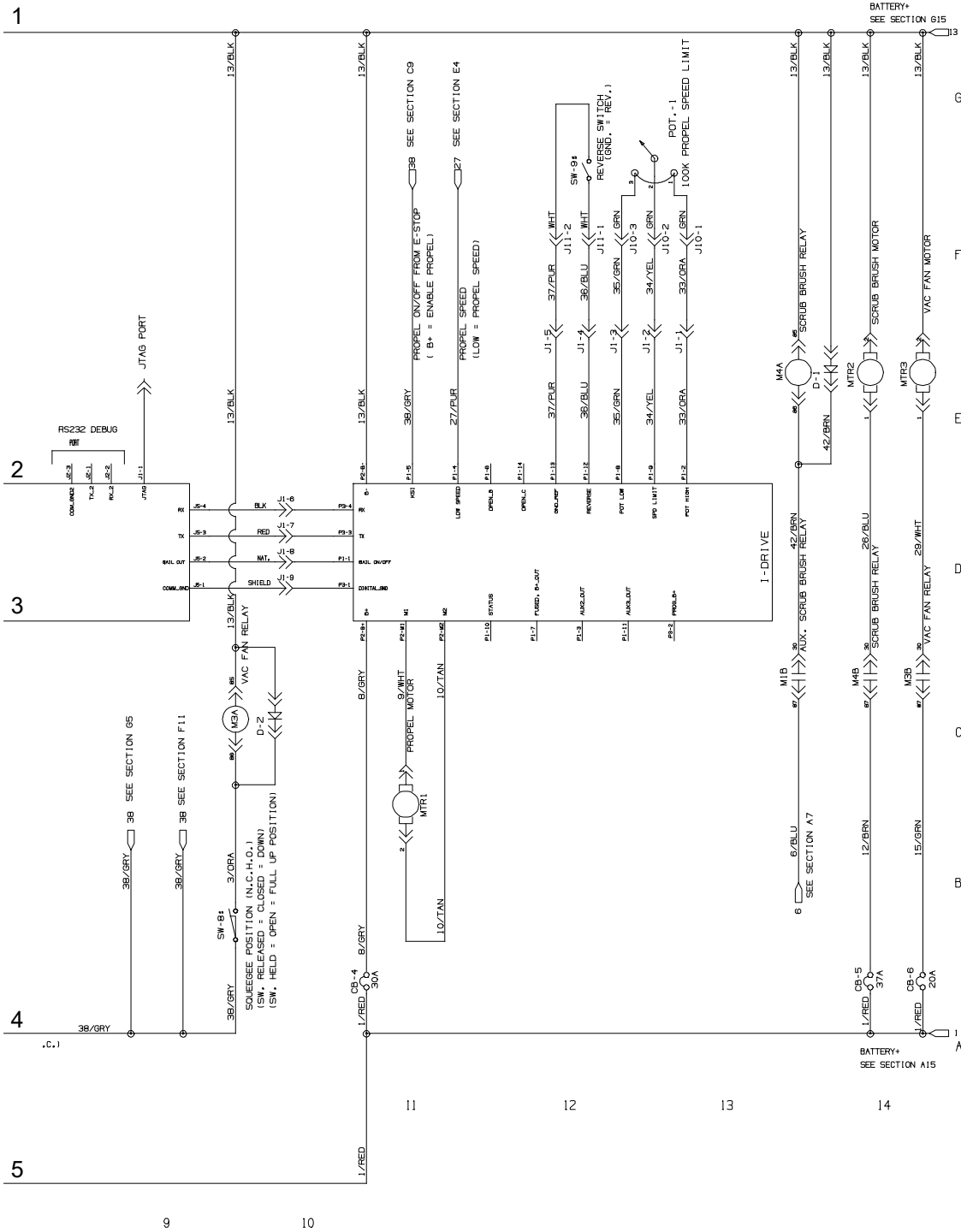
1074707_02



ELECTRICAL DIAGRAM, PROPEL (S/N 10891949 -) (PAGE 2 OF 3)

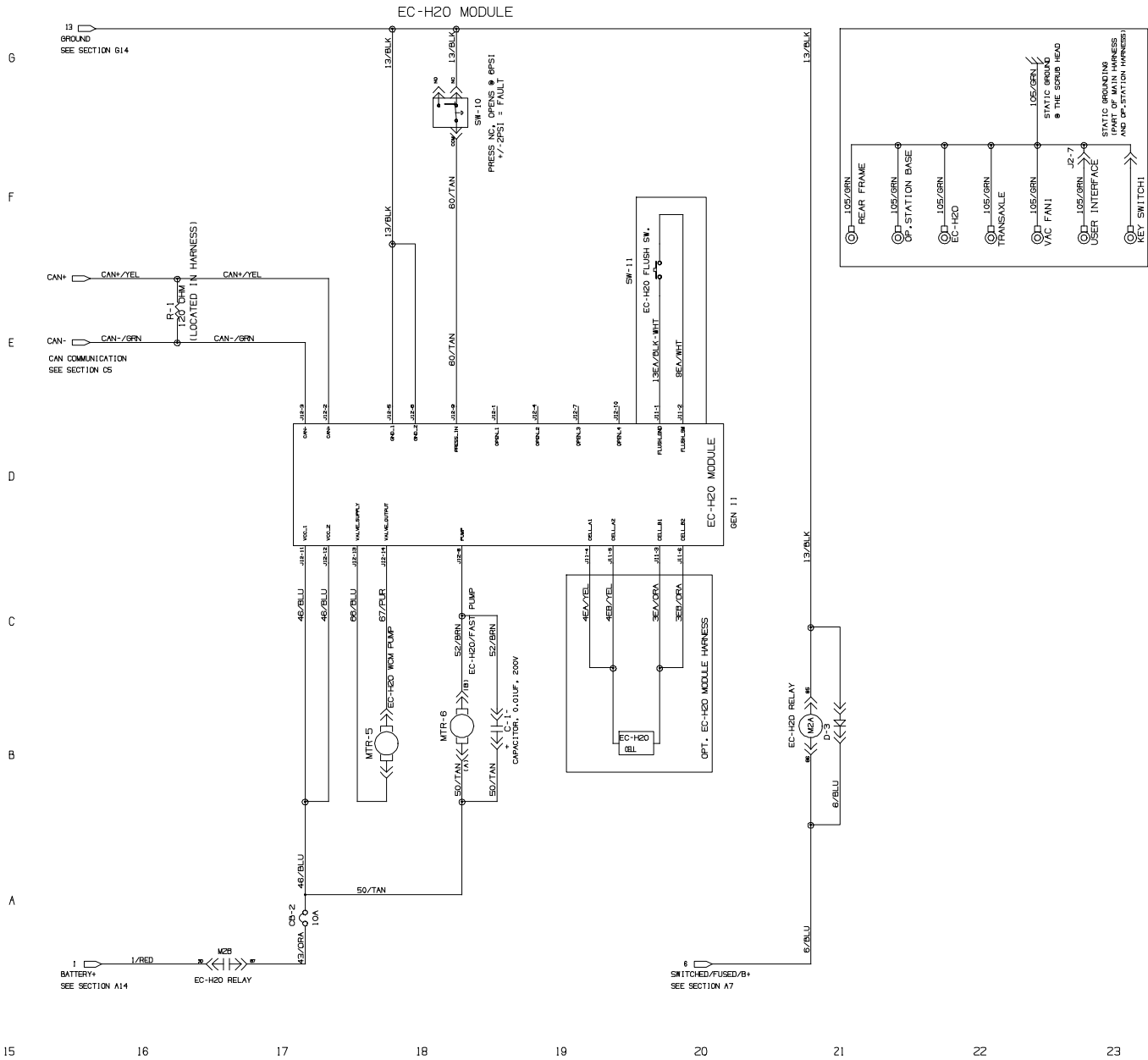
1074707_02

PROPEL SYSTEM



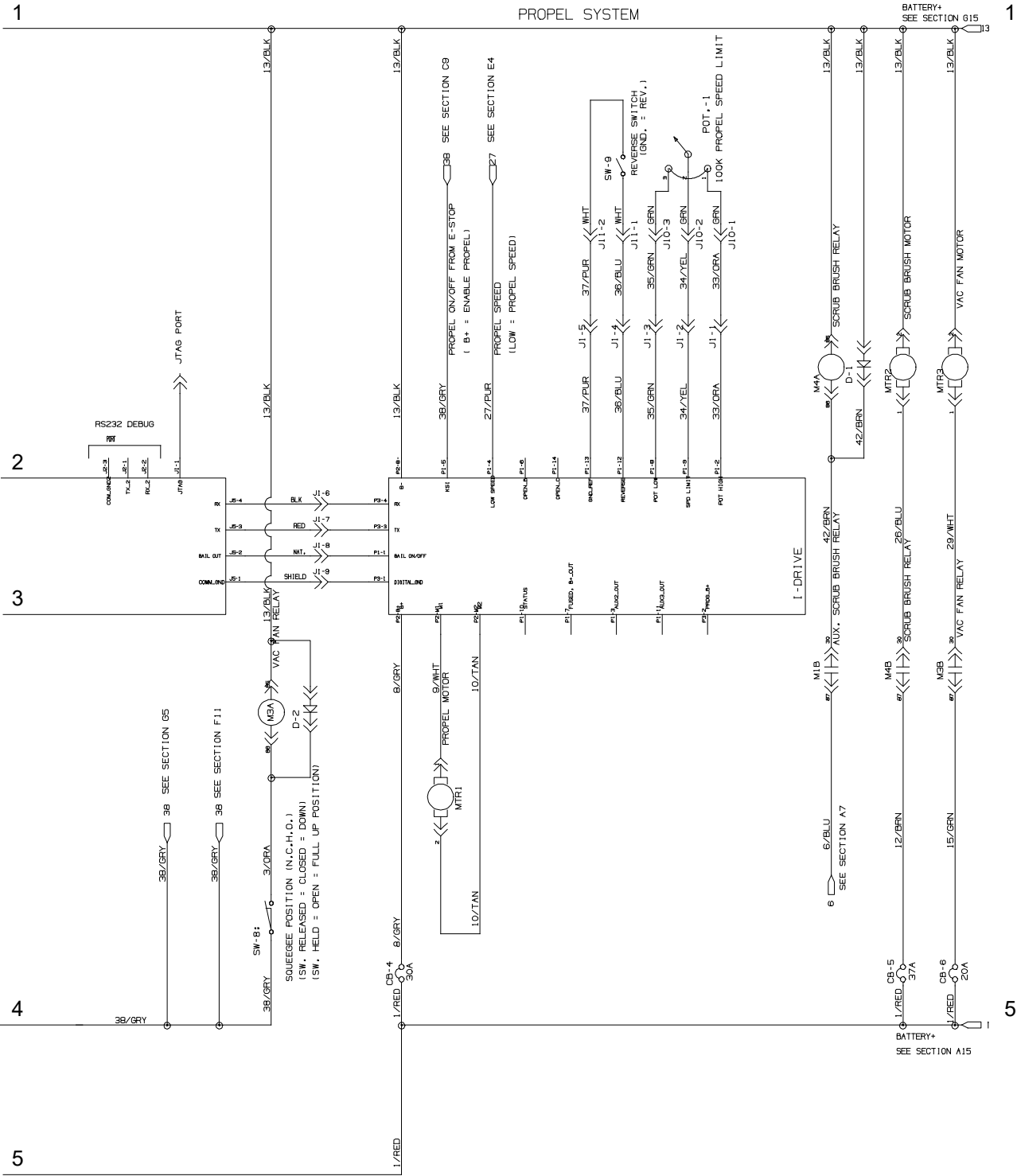
ELECTRICAL DIAGRAM, PROPEL (S/N 10891949 -) (PAGE 3 OF 3)

1074707_02



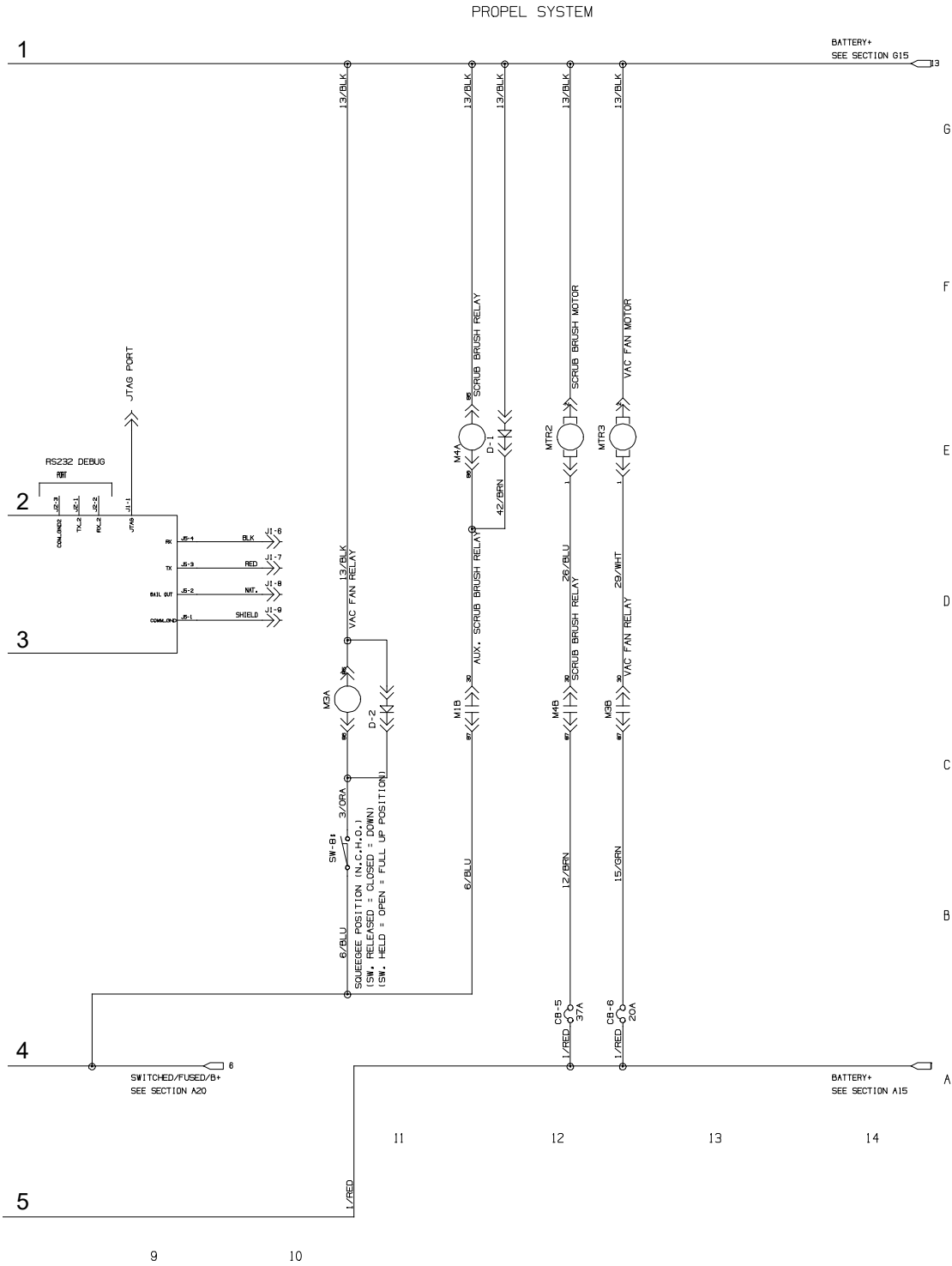
ELECTRICAL DIAGRAM, PROPEL (S/N 1000000 - 10891948) (PAGE 2 OF 3)

1074707_00



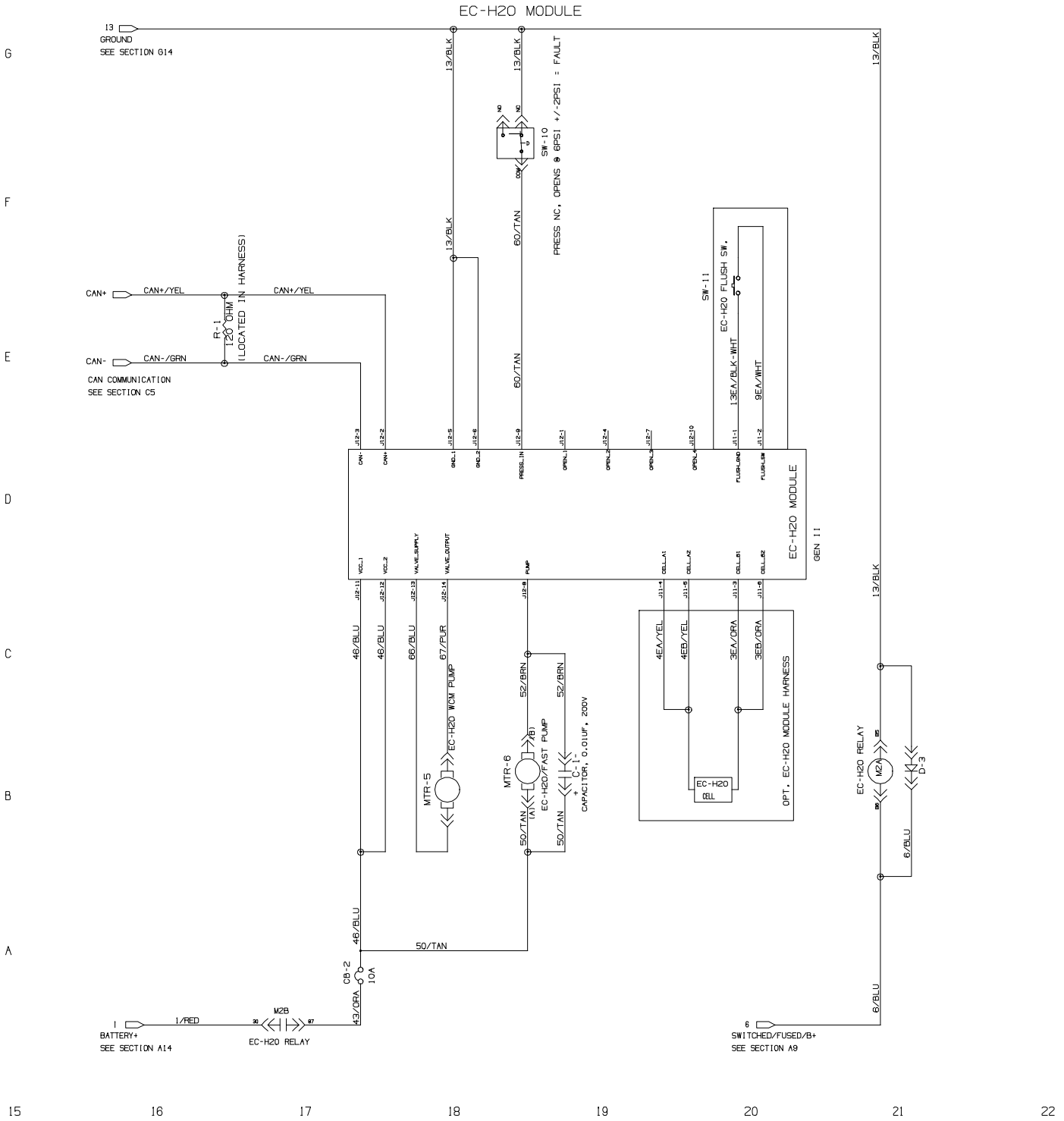
ELECTRICAL DIAGRAM, PUSH (S/N 10891710 -) (PAGE 2 OF 3)

1074708_02



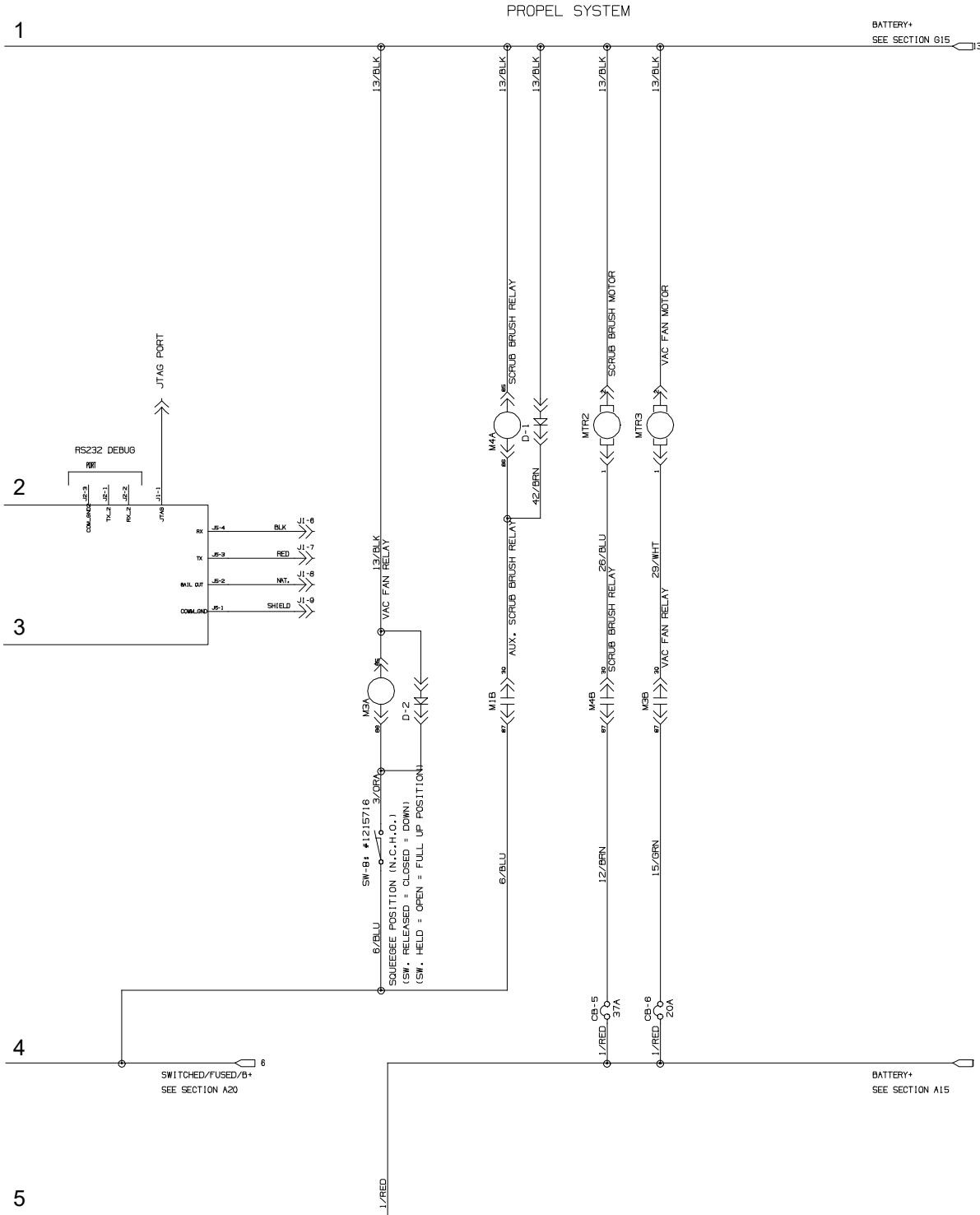
ELECTRICAL DIAGRAM, PUSH (S/N 10891710 -) (PAGE 3 OF 3)

1074708_02



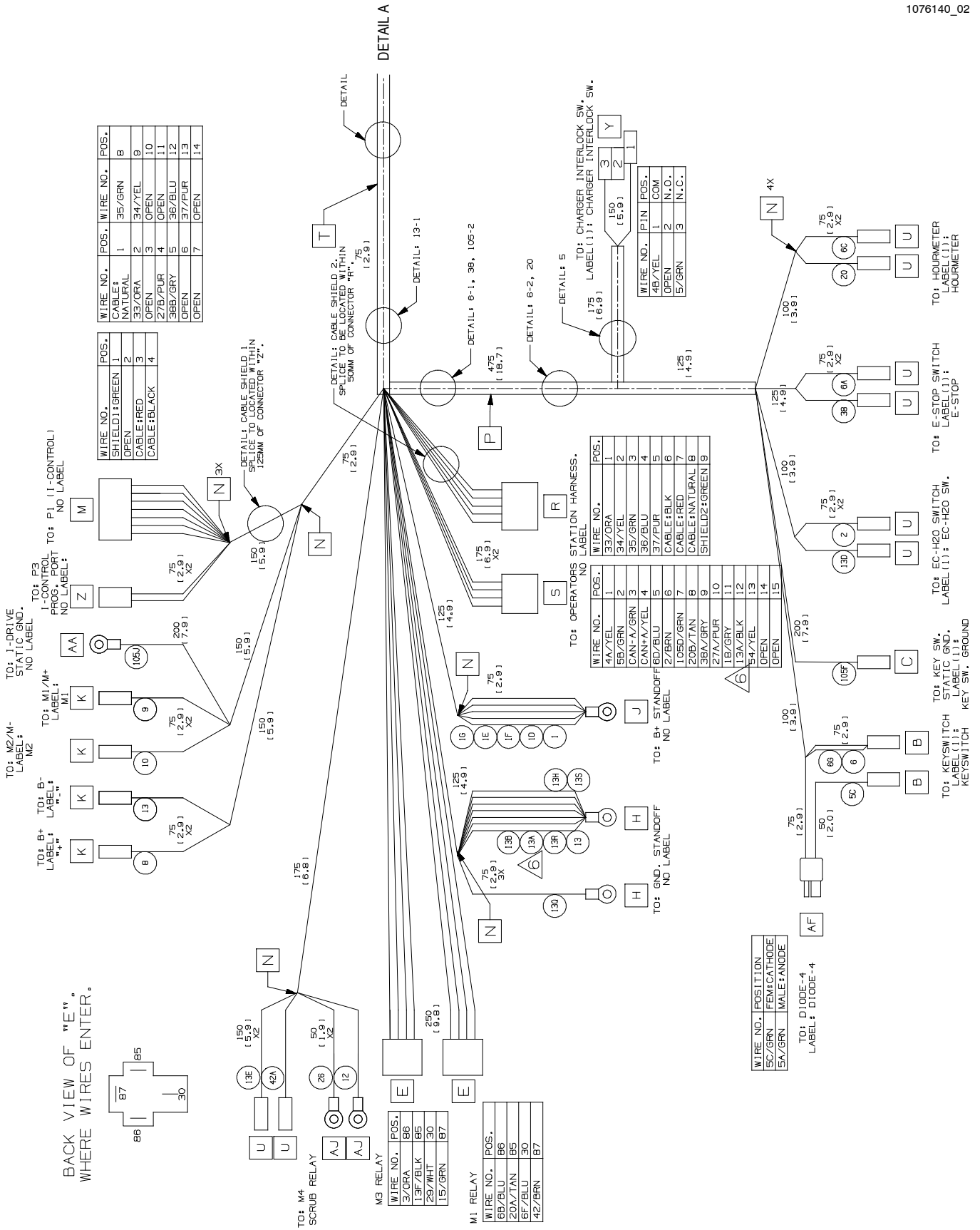
ELECTRICAL DIAGRAM, PUSH (S/N 1000000 - 10891709) (PAGE 2 OF 3)

1074708_00



ELECTRICAL HARNESS, MAIN PROPEL (S/N 10891949 -) (PAGE 1 OF 3)

1076140_02



ELECTRICAL HARNESS, MAIN PROPEL (S/N 10891949 -)

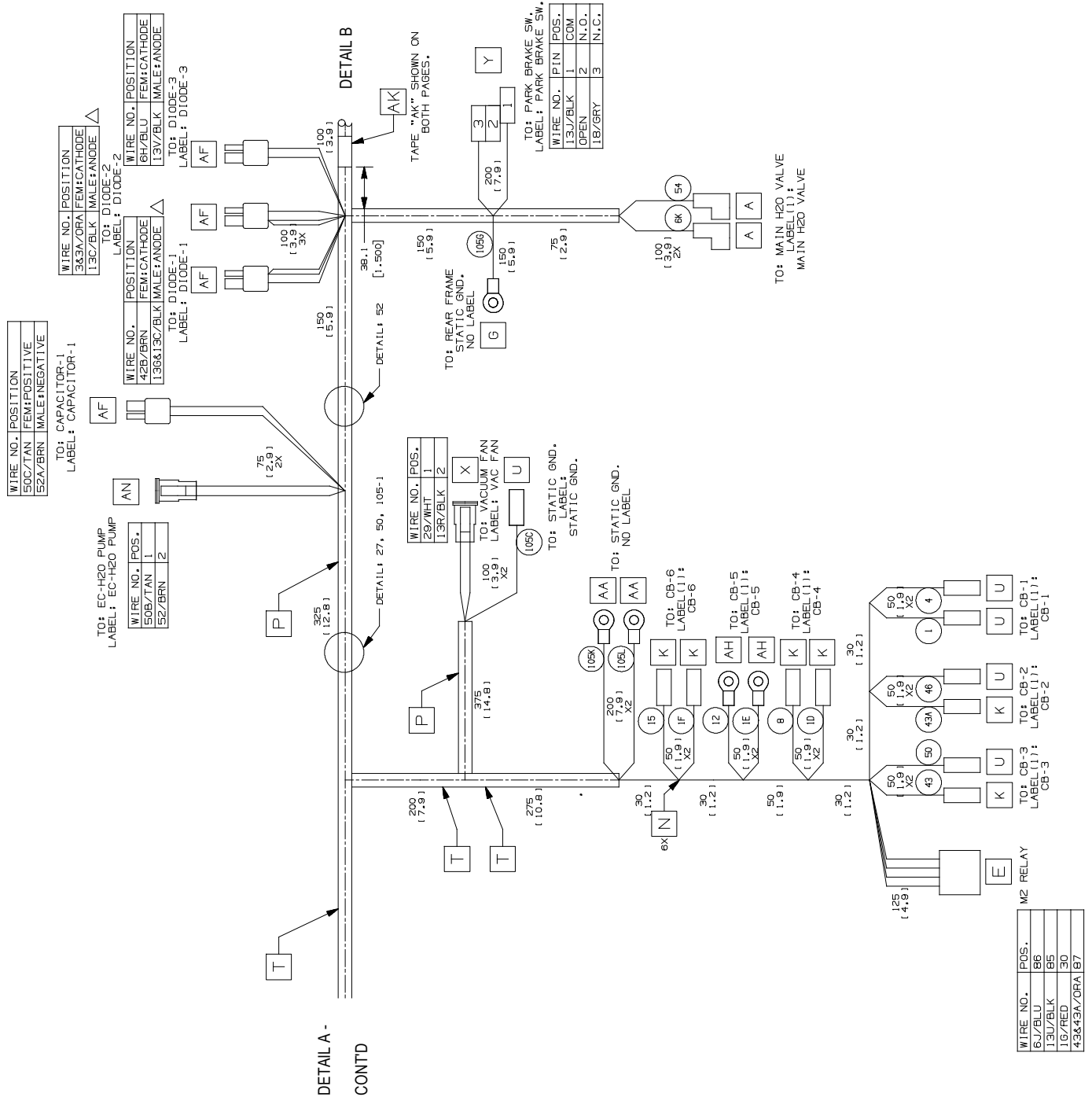
	Part No.	Serial Number	Description	Qty.
▽	9015155	(10891949- 20000000)	Harness Kit, Main, Ele [Vw, Base,Propel]	1
▲	222290	(10891949- 20000000)	Diode, Ele, Plug	4
▲	1040868	(10000000- 20000000)	Capacitor, Plug [.01 Uf, 200v]	1

▽ ASSEMBLY

▲ INCLUDED IN ASSEMBLY

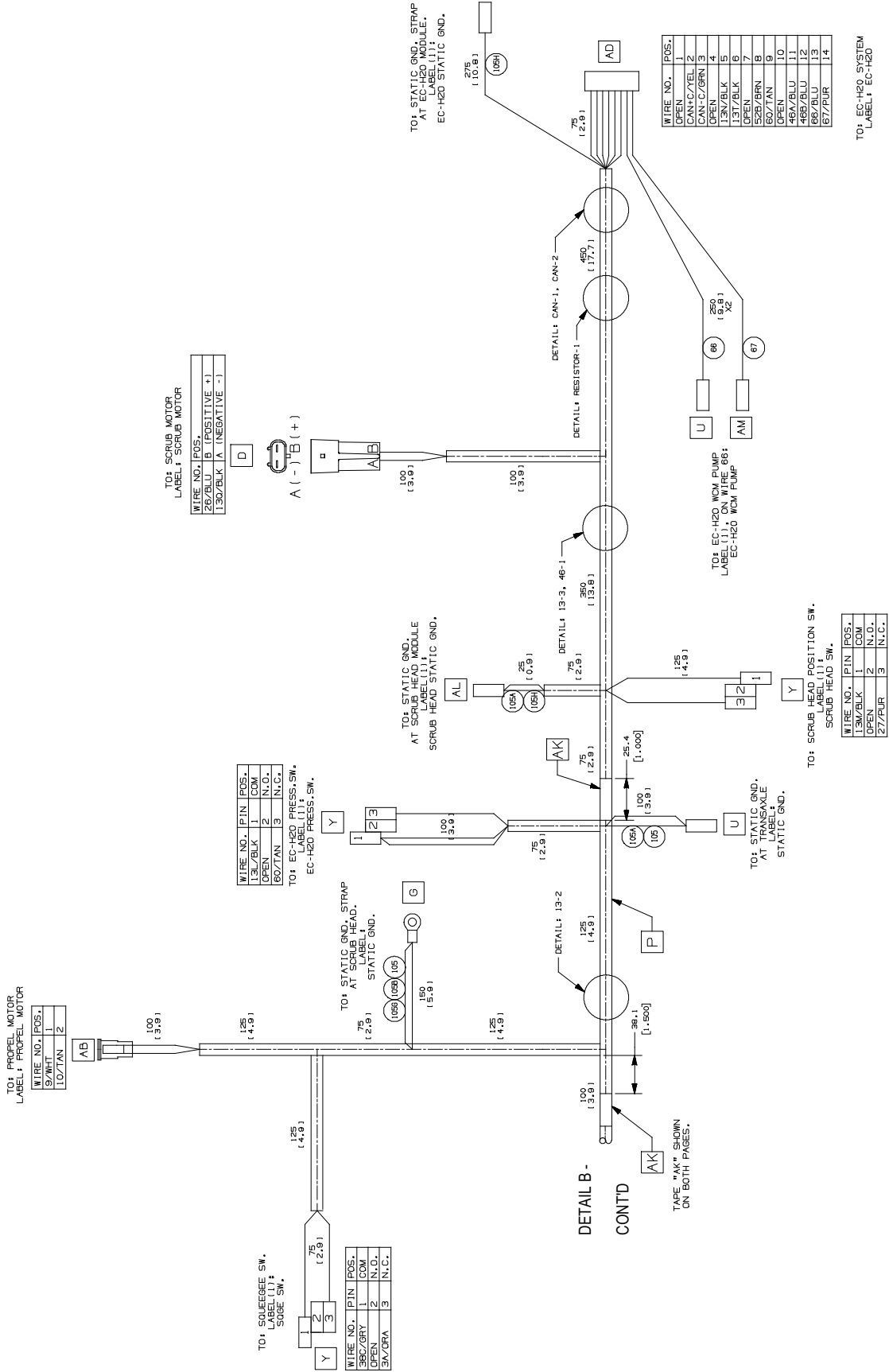
ELECTRICAL HARNESS, MAIN PROPEL (S/N 10822349 - 10891948) (PAGE 2 OF 3)

1075321_02



ELECTRICAL HARNESS, MAIN PROPEL (S/N 10822349 - 10891948) (PAGE 3 OF 3)

1075321_02



TO: SCRUB MOTOR
LABEL: SCRUB MOTOR

WIRE NO.	PIN POS.
29/BLK	B (POSITIVE +)
130/BLK	A (NEGATIVE -)

TO: EC-H2O PRESS. SW.
LABEL: EC-H2O PRESS. SW.

WIRE NO.	PIN POS.
13/BLK	1 COM.
OPEN	2 N.O.
60/TAN	3 N.C.

TO: SOLLEESE SW.
LABEL: SOLE SW.

WIRE NO.	PIN POS.
38C/GRY	1 COM.
OPEN	2 N.O.
34V/ORA	3 N.C.

WIRE NO.	POS.
OPEN	1
AN/C/YEL	3
CAN/C/GRN	4
OPEN	5
13N/BLK	6
13T/BLK	7
OPEN	8
52B/BRN	9
60/TAN	10
OPEN	11
45B/BLU	12
66/BLU	13
67/PUR	14

TO: EC-H2O SYSTEM
LABEL: EC-H2O

WIRE NO.	PIN POS.
13M/BLK	1 COM.
OPEN	2 N.O.
277/PUR	3 N.C.

ELECTRICAL HARNESS, MAIN PROPEL (S/N 10822349 - 10891948)

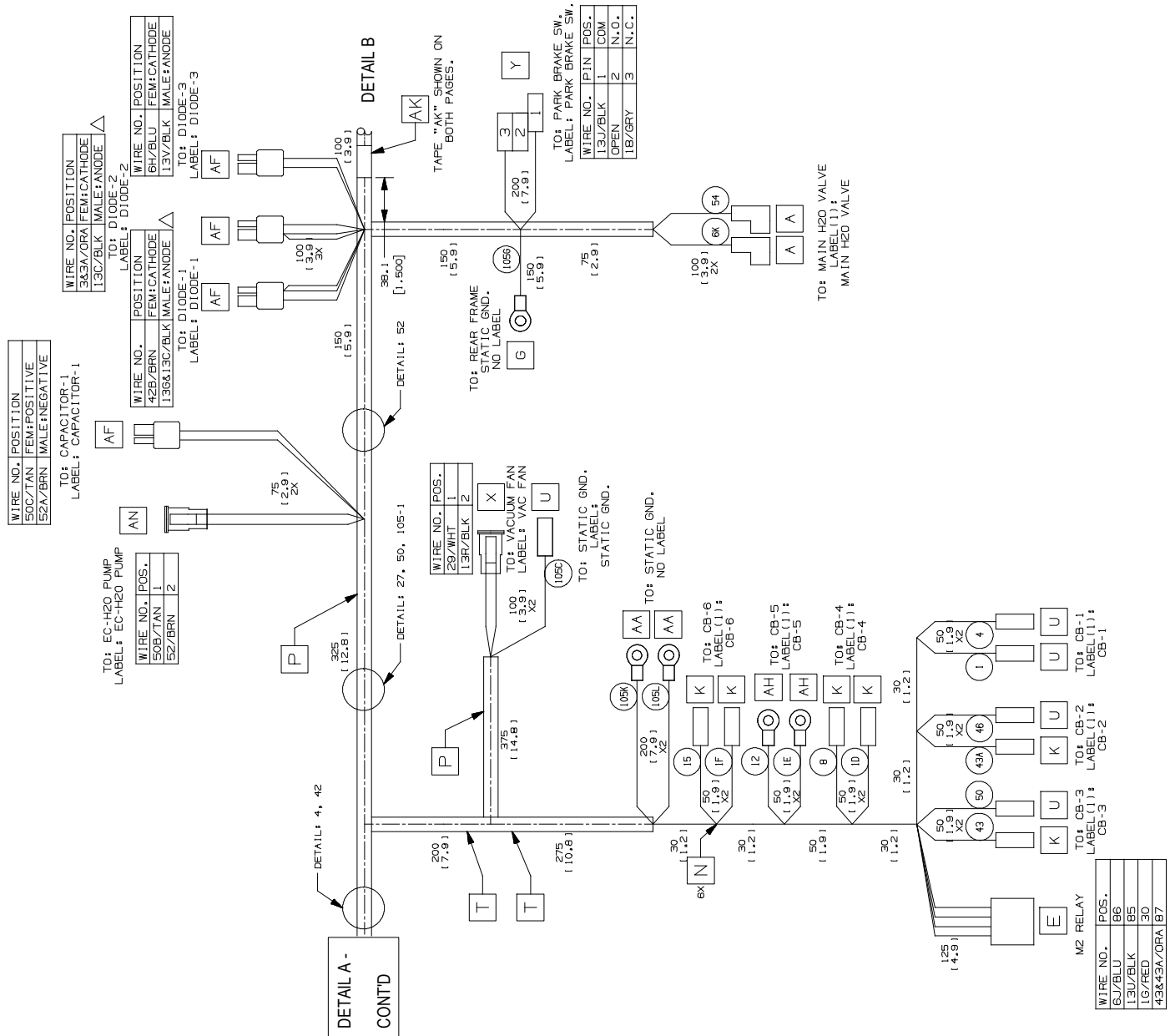
	Part No.	Serial Number	Description	Qty.
▽	1075321	(10822349- 10891948)	Harness, Main, Ele [Vw, Base, Propel] (Replaced By 9015155)	1
▲	222290	(10000000- 20000000)	Diode, Ele, Plug	3
▲	1040868	(10000000- 20000000)	Capacitor, Plug [.01 Uf, 200v]	1

▽ ASSEMBLY

▲ INCLUDED IN ASSEMBLY

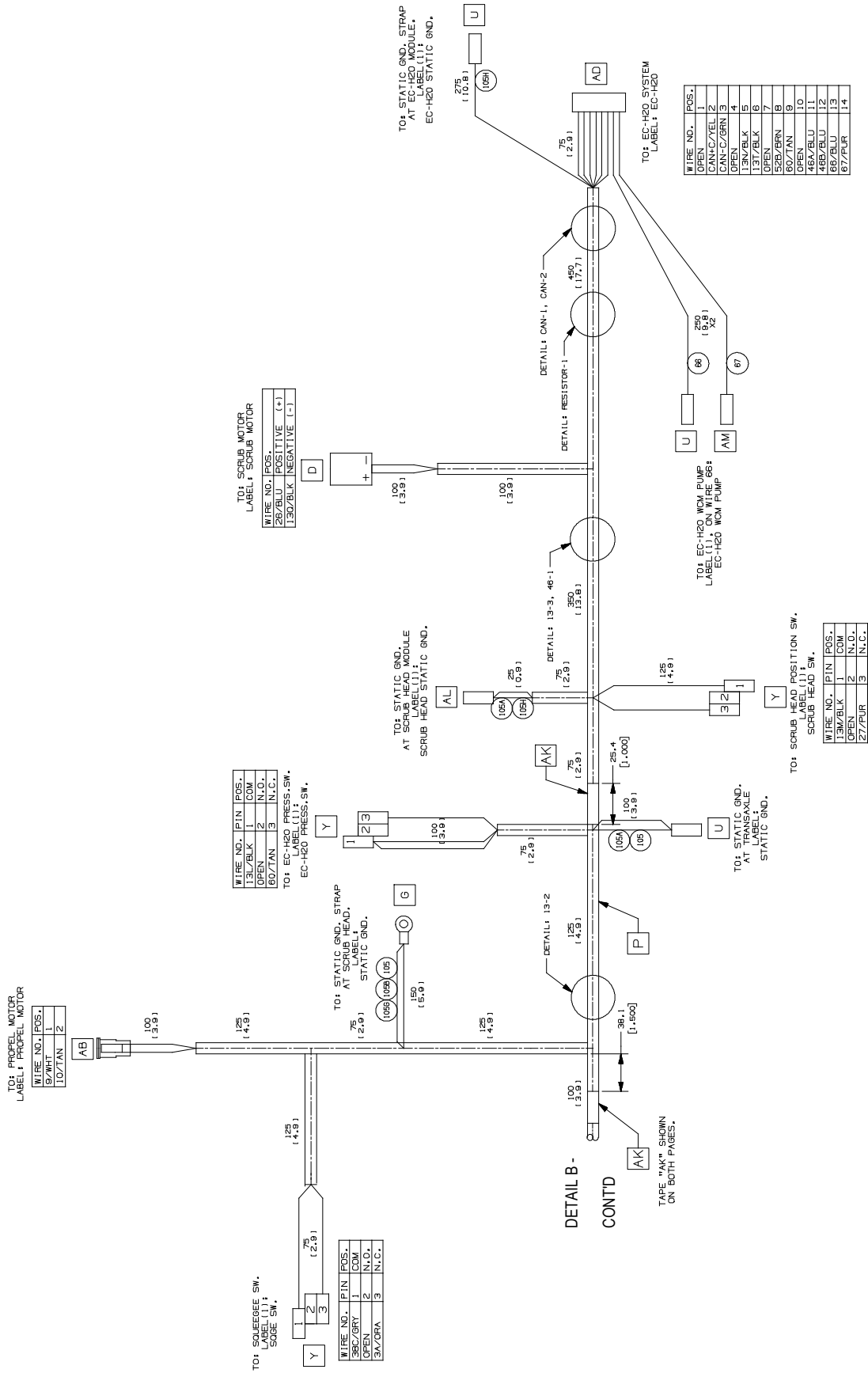
ELECTRICAL HARNESS, MAIN PROPEL (S/N 1000000 - 10822348) (PAGE 2 OF 3)

1073676



ELECTRICAL HARNESS, MAIN PROPEL (S/N 1000000 - 10822348) (PAGE 3 OF 3)

1073676



ELECTRICAL HARNESS, MAIN PROPEL (S/N 10000000 - 10822348)

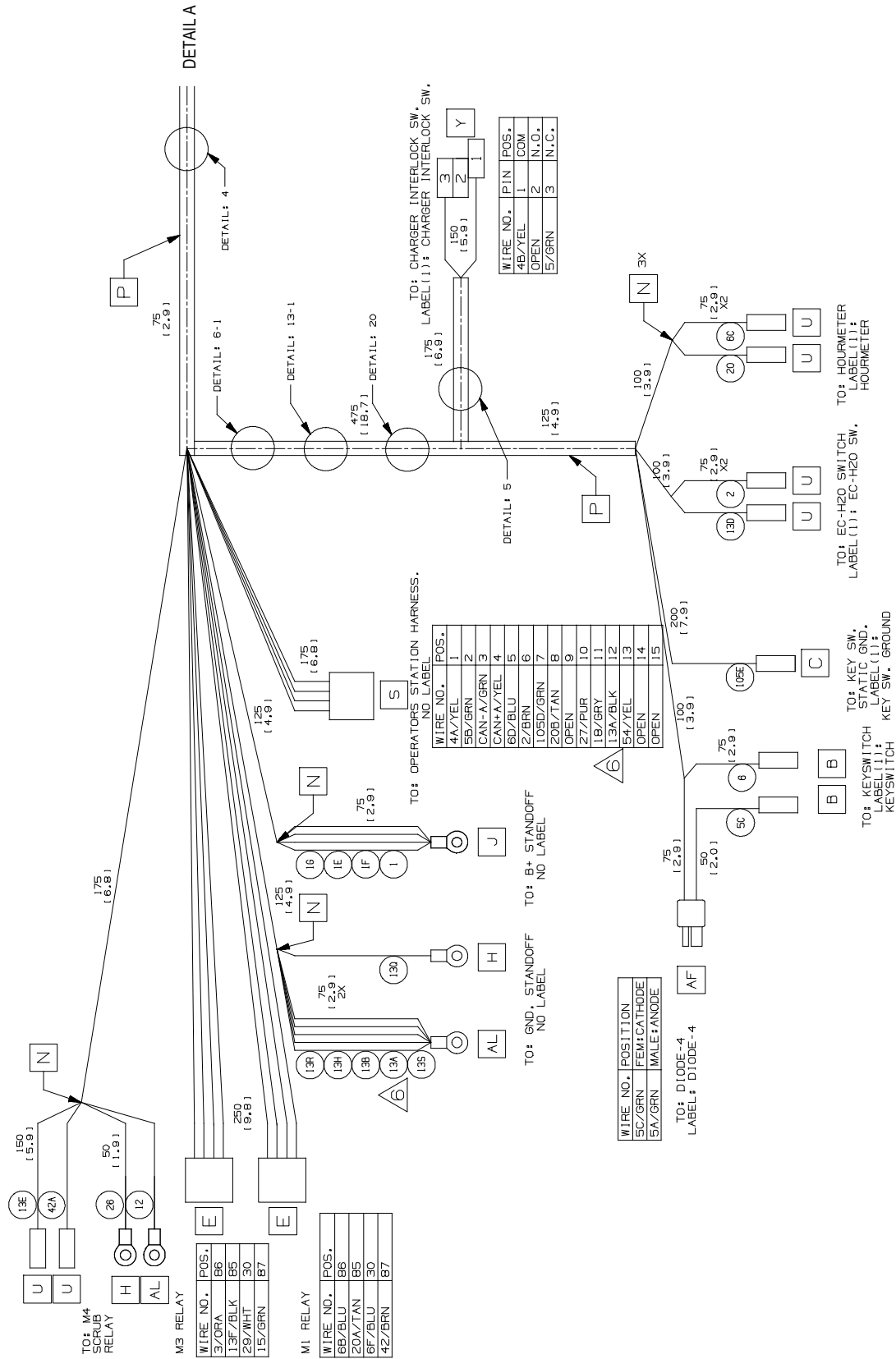
	Part No.	Serial Number	Description	Qty.
▽	1073676	(10000000- 10822348)	Harness, Main, Ele [Vw, Base, Propel] (Replaced By 9015155)	1
▲	222290	(10000000- 20000000)	Diode, Ele, Plug	3
▲	1040868	(10000000- 20000000)	Capacitor, Plug [.01 Uf, 200v]	1

▽ ASSEMBLY

▲ INCLUDED IN ASSEMBLY

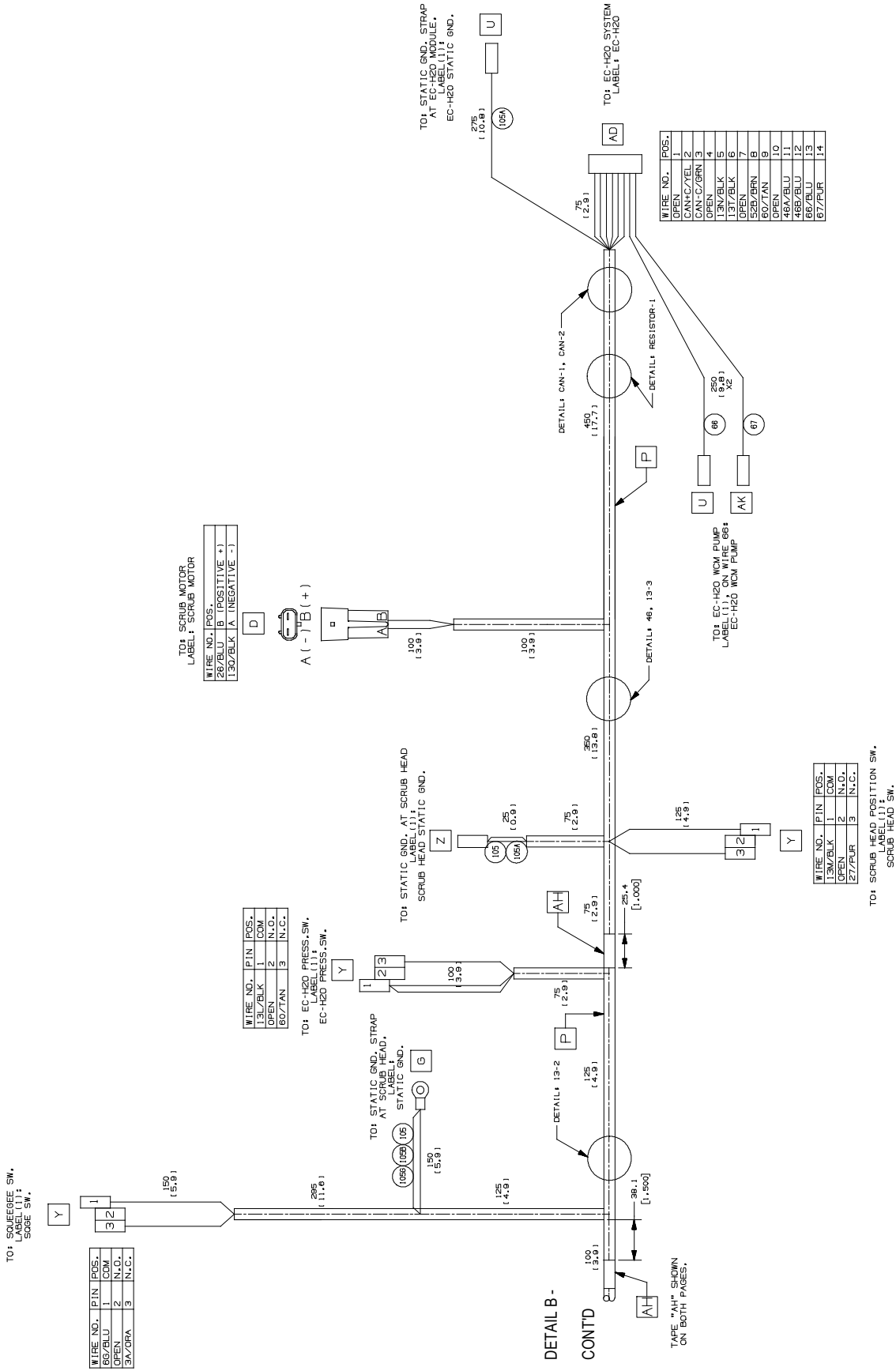
ELECTRICAL HARNESS, MAIN PUSH (S/N 10891710 -) (PAGE 1 OF 3)

1076141_02



ELECTRICAL HARNESS, MAIN PUSH (S/N 10891710 -) (PAGE 3 OF 3)

1076141_02



ELECTRICAL HARNESS, MAIN PUSH (S/N 10891710 -)

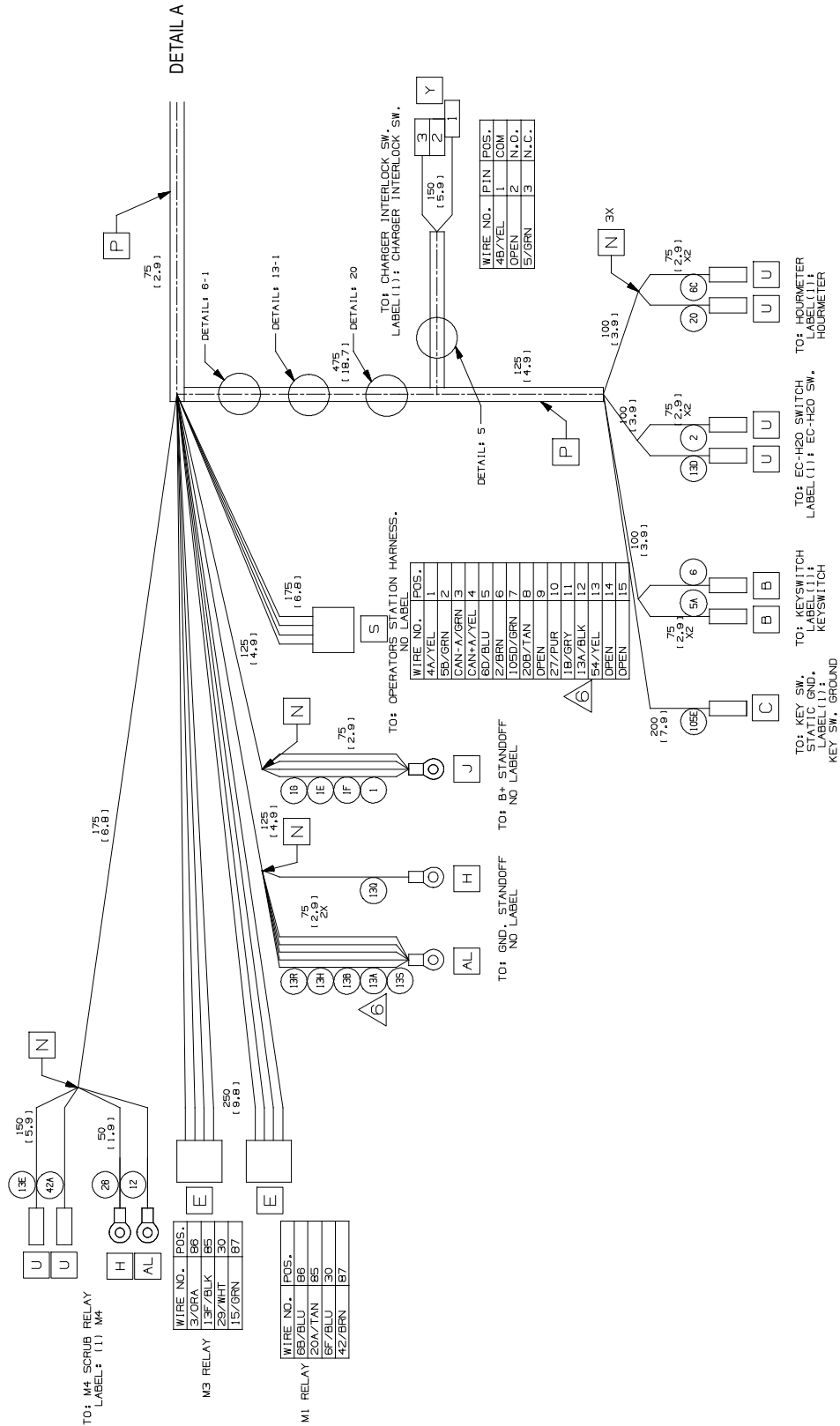
	Part No.	Serial Number	Description	Qty.
▽	9015156	(10891710- 20000000)	Harness Kit, Main, Ele [Vw, Base, Push]	1
▲	222290	(10891710- 20000000)	Diode, Ele, Plug	4
▲	1040868	(10000000- 20000000)	Capacitor, Plug [.01 Uf, 200v]	1

▽ ASSEMBLY

▲ INCLUDED IN ASSEMBLY

ELECTRICAL HARNESS, MAIN PUSH (S/N 10825202 - 10891709) (PAGE 1 OF 3)

1075322_02



ELECTRICAL HARNESS, MAIN PUSH (S/N 10825202 - 10891709)

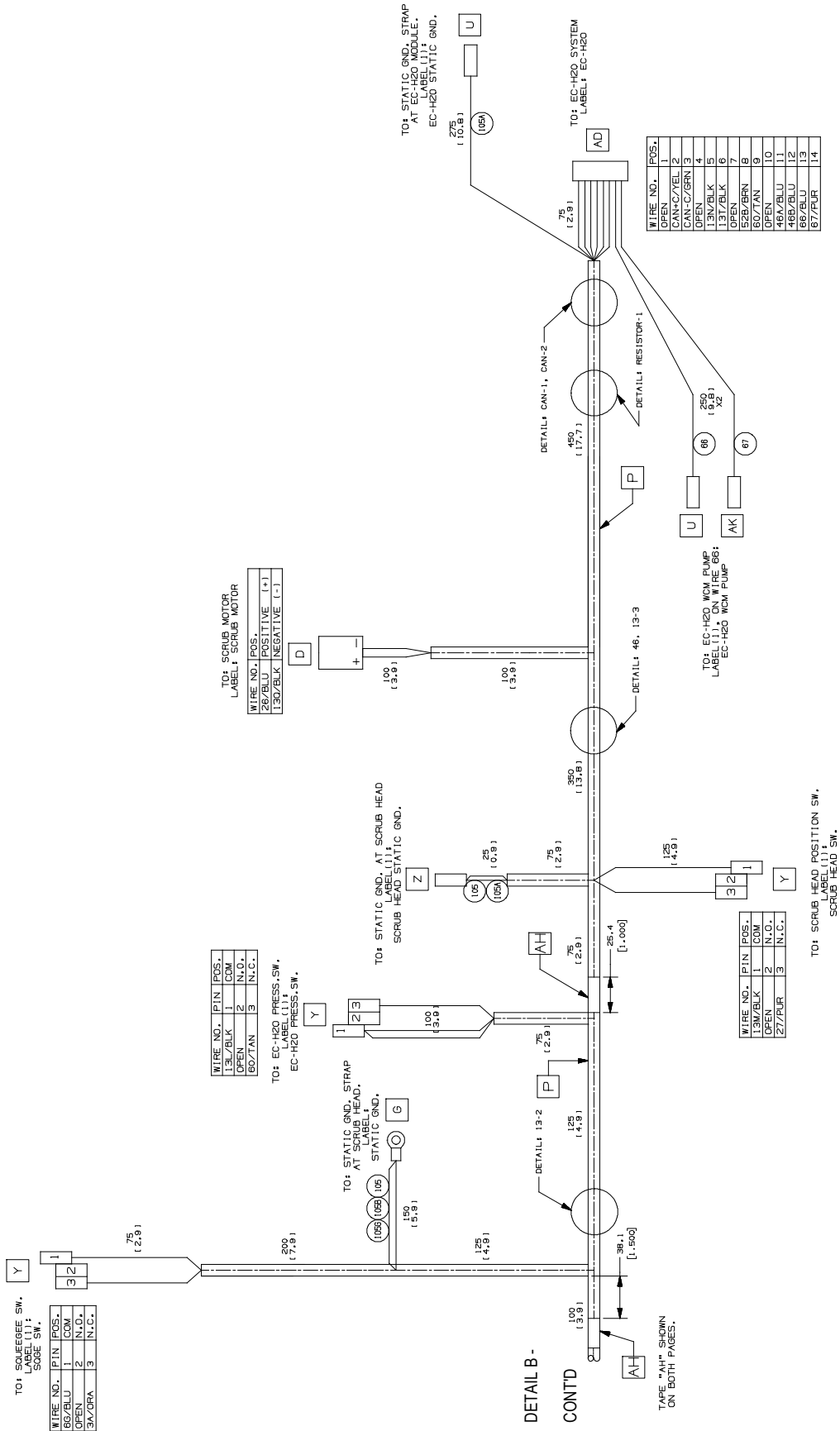
	Part No.	Serial Number	Description	Qty.
▽	1075322	(10825202- 10891709)	Harness, Main, Ele [Vw, Base, Push] (Replaced By 9015156)	1
▲	222290	(10000000- 20000000)	Diode, Ele, Plug	3
▲	1040868	(10000000- 20000000)	Capacitor, Plug [.01 Uf, 200v]	1

▽ ASSEMBLY

▲ INCLUDED IN ASSEMBLY

ELECTRICAL HARNESS, MAIN PUSH (S/N 1000000 - 10825201) (PAGE 3 OF 3)

1073677



ELECTRICAL HARNESS, MAIN PUSH (S/N 10000000 - 10825201)

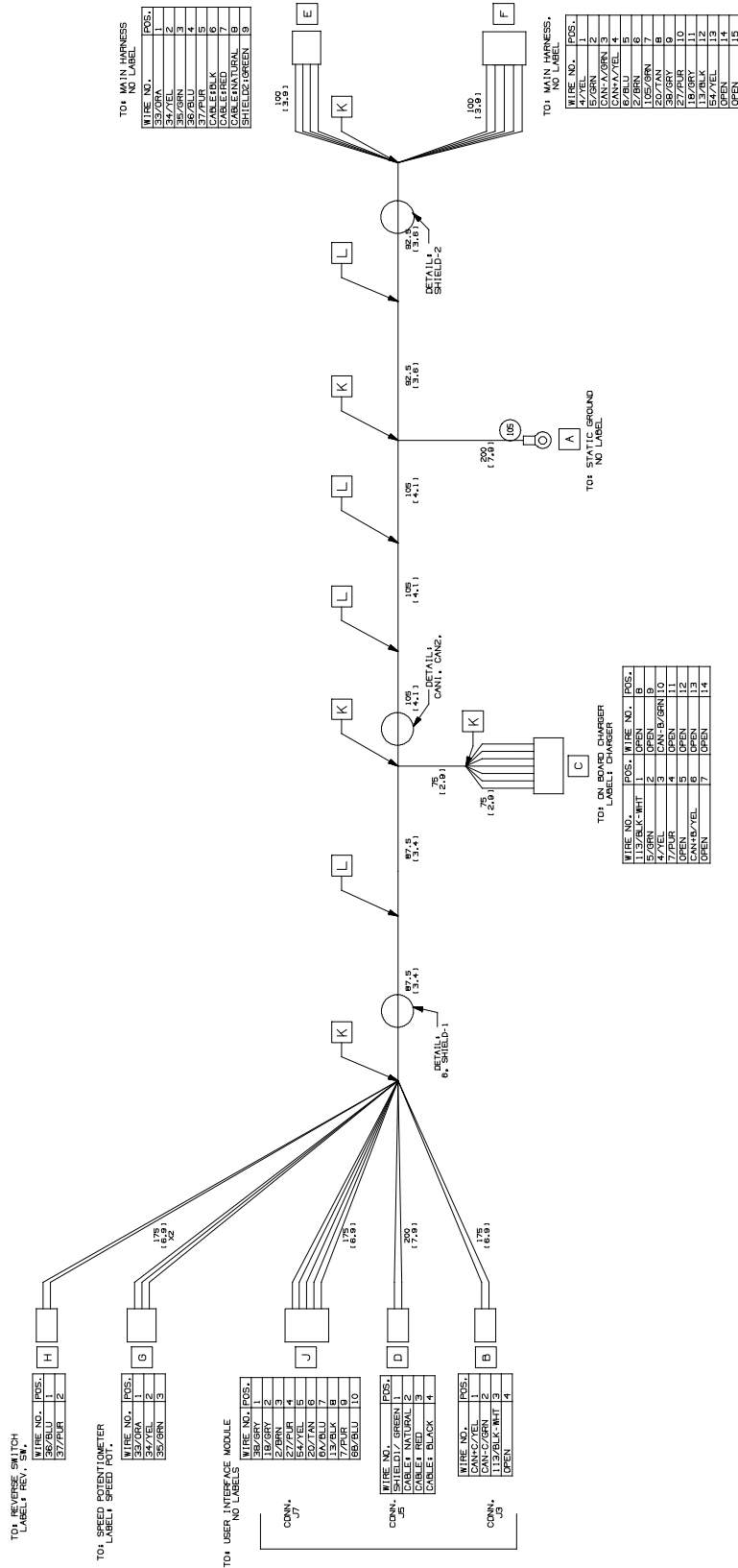
	Part No.	Serial Number	Description	Qty.
▽	1073677	(10000000- 10825201)	Harness, Main, Ele [Vw, Base, Push] (Replaced By 9015156)	1
▲	222290	(10000000- 20000000)	Diode, Ele, Plug	3
▲	1040868	(10000000- 20000000)	Capacitor, Plug [.01 Uf, 200v]	1

▽ ASSEMBLY

▲ INCLUDED IN ASSEMBLY

ELECTRICAL HARNESS, OPERATOR PROPEL

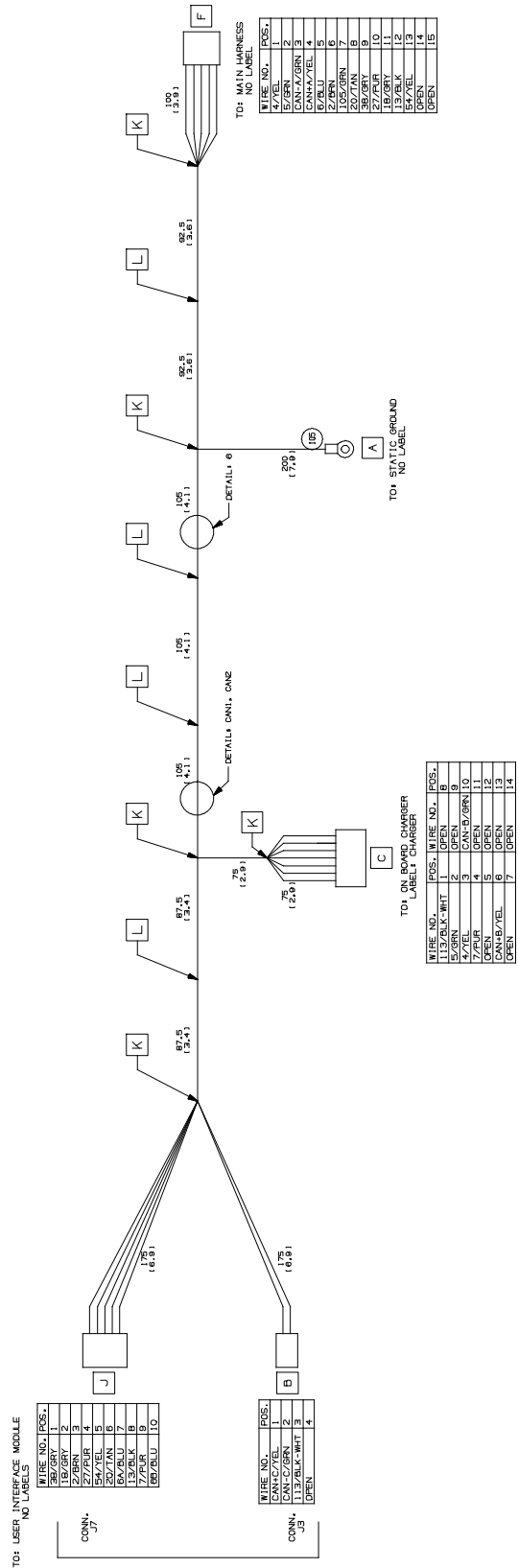
1073592



Part No.	Serial Number	Description	Qty.
1073592	(1000000-2000000)	Harness, Ele [Vw, Op.Sta, Propel]	1

ELECTRICAL HARNESS, OPERATOR PUSH

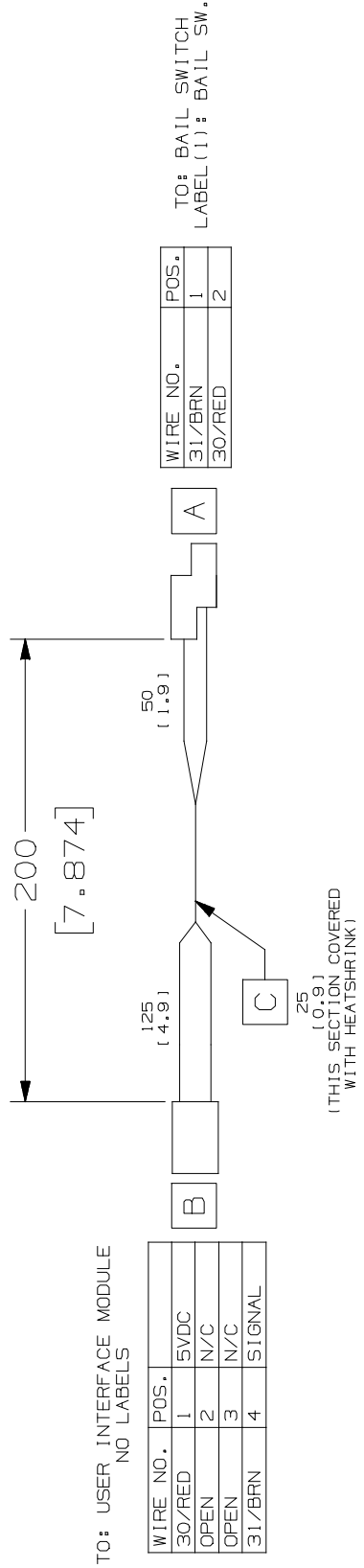
1073593



Part No.	Serial Number	Description	Qty.
1073593	(10000000-20000000)	Harness, Ele [Vw, Op.Stat, Push]	1

ELECTRICAL HARNESS, BAIL SWITCH

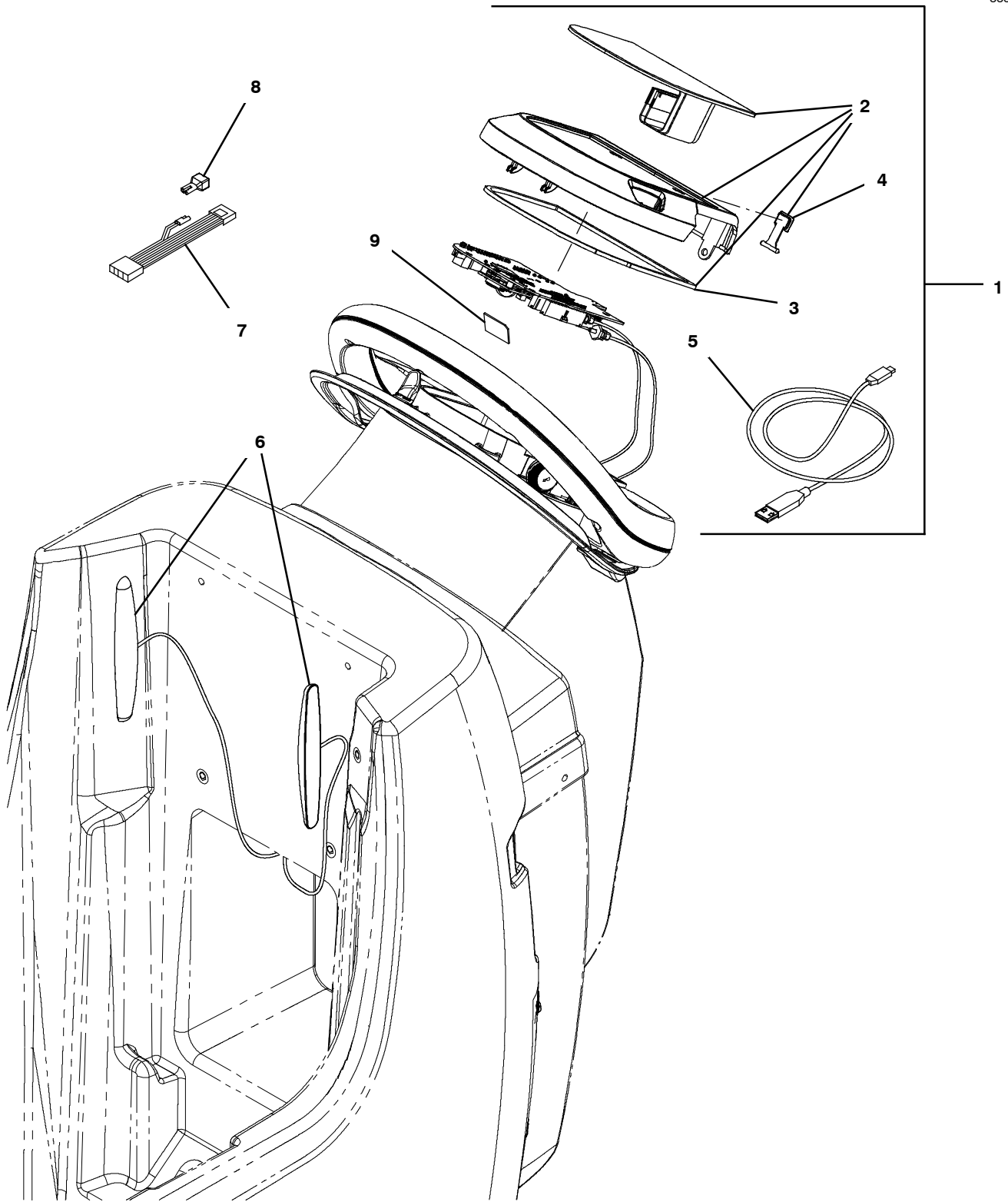
1072524



Part No.	Serial Number	Description	Qty.
1072524	(10000000-20000000)	Harness, Ele [Bail Switch]	1

TELEMETRY GROUP

355684



TELEMETRY GROUP

	Ref.	Part No.	Serial Number	Description	Qty.
▽	1	9017773*	(10000000- 20000000)	Bezel Kit, Push, Mem., Ci [T300e, Telem]	1
▲▽	2	9017874	(10000000- 20000000)	Screen Kit, Push, Memb., Ci [T300e/Ss]	1
▲▲	3	1245824	(MAR2020- 20000000)	Gasket, Console	1
▲▲	4	1205618	(10000000- 20000000)	Cap, Usb	1
▲	5	1071235	(10000000- 20000000)	Cable [Usb, 2m, A- Male To Mini- B- Male]	1
▲	6	1247522	(10994782- 20000000)	Antenna, Telem [4g, 72"]	2
	6	1070659	(10000000- 10994781)	Antenna, Telem, 70 In [Gprs] (Replaced By 1247522)	1
▽	1	9017774*	(10000000- 20000000)	Bezel Kit, Propel, Mem., Ci [T300e, Telem]	1
▲▽	2	9017875	(10000000- 20000000)	Screen Kit, Propel, Memb., Ci [T300e/Ss]	1
▲▲	3	1245824	(MAR2020- 20000000)	Gasket, Console	1
▲▲	4	1205618	(10000000- 20000000)	Cap, Usb	1
▲	5	1071235	(10000000- 20000000)	Cable [Usb, 2m, A- Male To Mini- B- Male]	1
▲	6	1247522	(10994782- 20000000)	Antenna, Telem [4g, 72"]	2
	6	1070659	(10000000- 10994781)	Antenna, Telem, 70 In [Gprs] (Replaced By 1247522)	1
	7	1075195	(10000000- 20000000)	Harness, Ele, Adaptor [T300, Amii]	1
	8	222290	(10000000- 20000000)	Diode, Ele, Plug	1
	9	9014186	(10000000- 20000000)	Kit, Telem, Ci [Sim, Usa, T300]	1
	9	9014187	(10000000- 20000000)	Kit, Telem, Ci [Sim, Intl, T300]	1

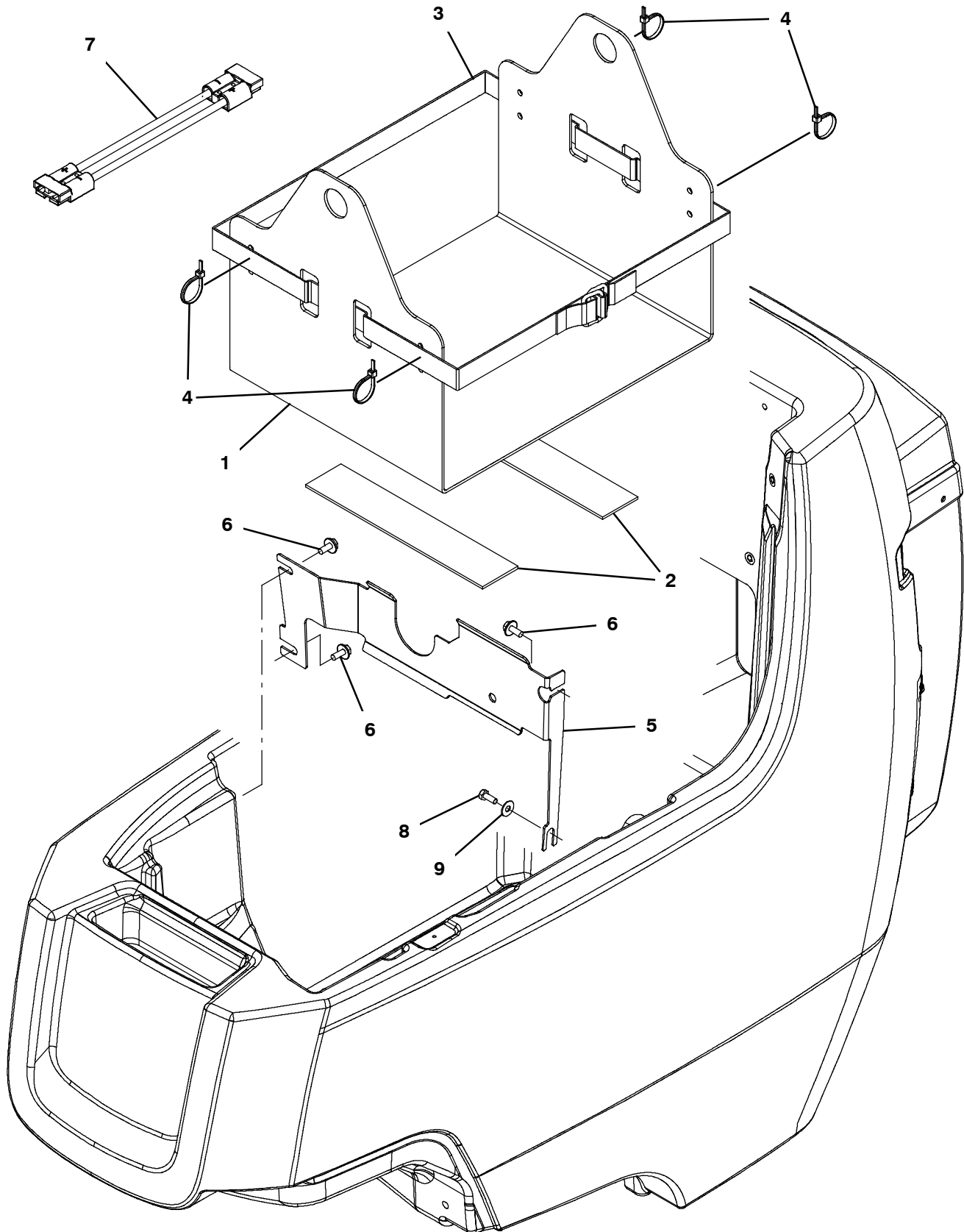
* Requires Tennant *True* service or an authorized Tennant service provider.

▽ ASSEMBLY

▲ INCLUDED IN ASSEMBLY

BATTERY LIFT OUT BOX KIT

355306



BATTERY LIFT OUT BOX KIT

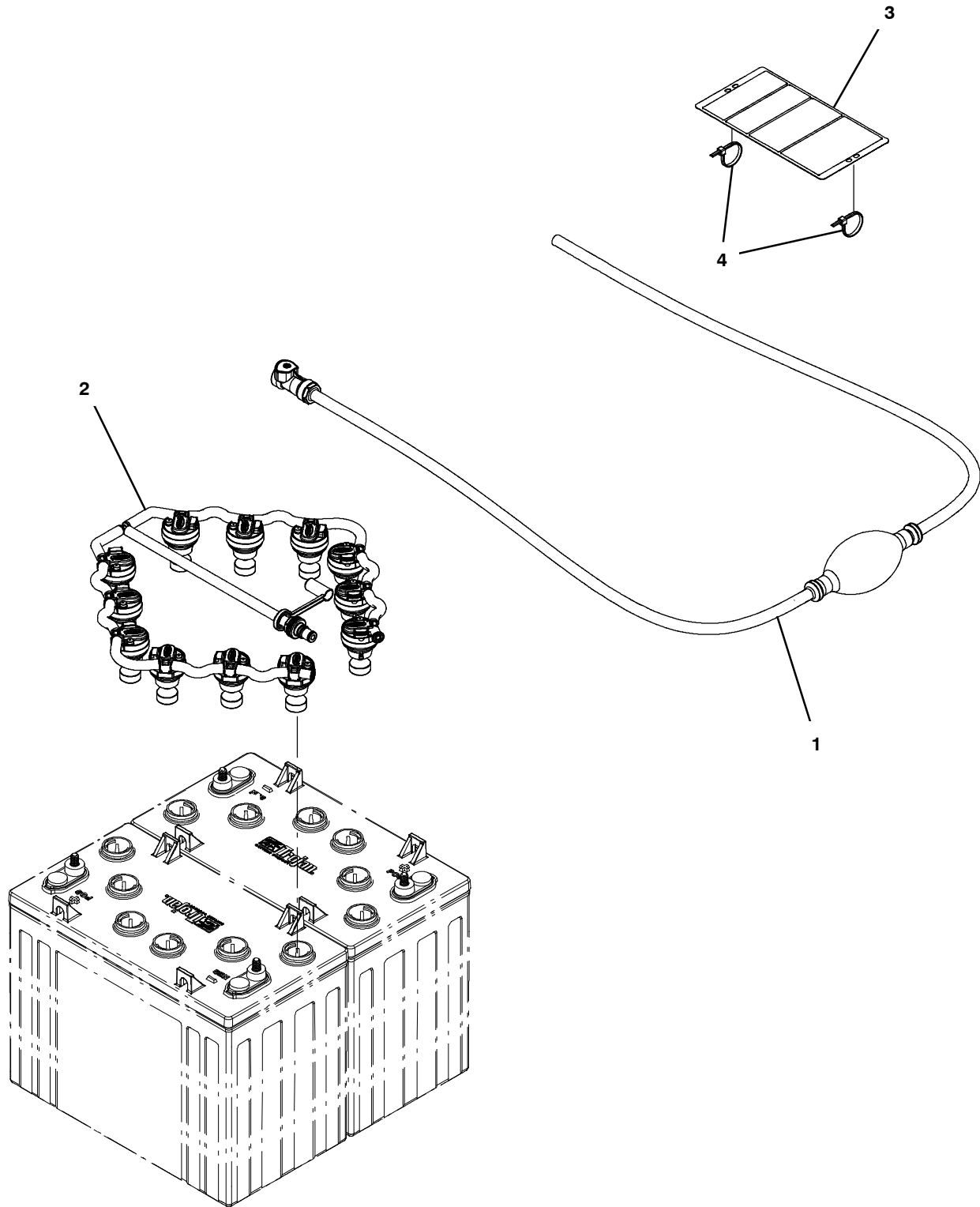
	Ref.	Part No.	Serial Number	Description	Qty.
▽		9014173	(10000000- 20000000)	Box Kit, Lift, Batt, Am [T300/E/Ss300] (Additional Battery Cable Kit May Also Be Required)	1
▲	1	1207816	(10000000- 20000000)	Box, Battery [Lift- Out]	1
▲	2	1212689	(10000000- 20000000)	Pad, Box, Battery	2
▲	3	1208697	(10000000- 20000000)	Strap, Pyp, Buckle, Friction	1
▲	4	130773	(10000000- 20000000)	Tie, Cable, Nyl, 11.0l, .14w, 3.0 Max. D	4
▲	5	1214509	(10000000- 20000000)	Bracket, Deflector, Battery	1
▲	6	1034731	(10000000- 20000000)	Screw, Hex, M6 X 1.00 X 16, Sems, Ss	3
▲	7	1074798	(10000000- 20000000)	Cable, Adaptor, Batt [Sb120- Sb50, Red] (Off- Board Charger Models Only)	1
▲	8	11329	(10000000- 20000000)	Screw, Hex, M6 X 1.00 X 16, NI, Ss	1
▲	9	01684	(10000000- 20000000)	Washer, Flat, 0.27b 0.69d .05, Ss	1

▽ ASSEMBLY

▲ INCLUDED IN ASSEMBLY

MANUAL BATTERY WATERING SYSTEM (S/N 11028698 -)

355837



MANUAL BATTERY WATERING SYSTEM (S/N 11028698 -)

	Ref.	Part No.	Serial Number	Description	Qty.
▽		9021730*	(11028698- 20000000)	Fill Kit, D, 2 Btry, Mnl, Ci [Trojan]	1
▲	1	1236295	(11028698- 20000000)	Pump, Hand, Battery	1
▲	2	1257356	(11028698- 20000000)	Manifold Assy, Water, D, 2 Btry [Trojan]	1
▲	3	1253250	(11028698- 20000000)	Label, Tag, Battery [Bwt Watering]	1
▲	4	130773	(10000000- 20000000)	Tie, Cable, Nyl, 11.0l, .14w, 3.0 Max. D	2

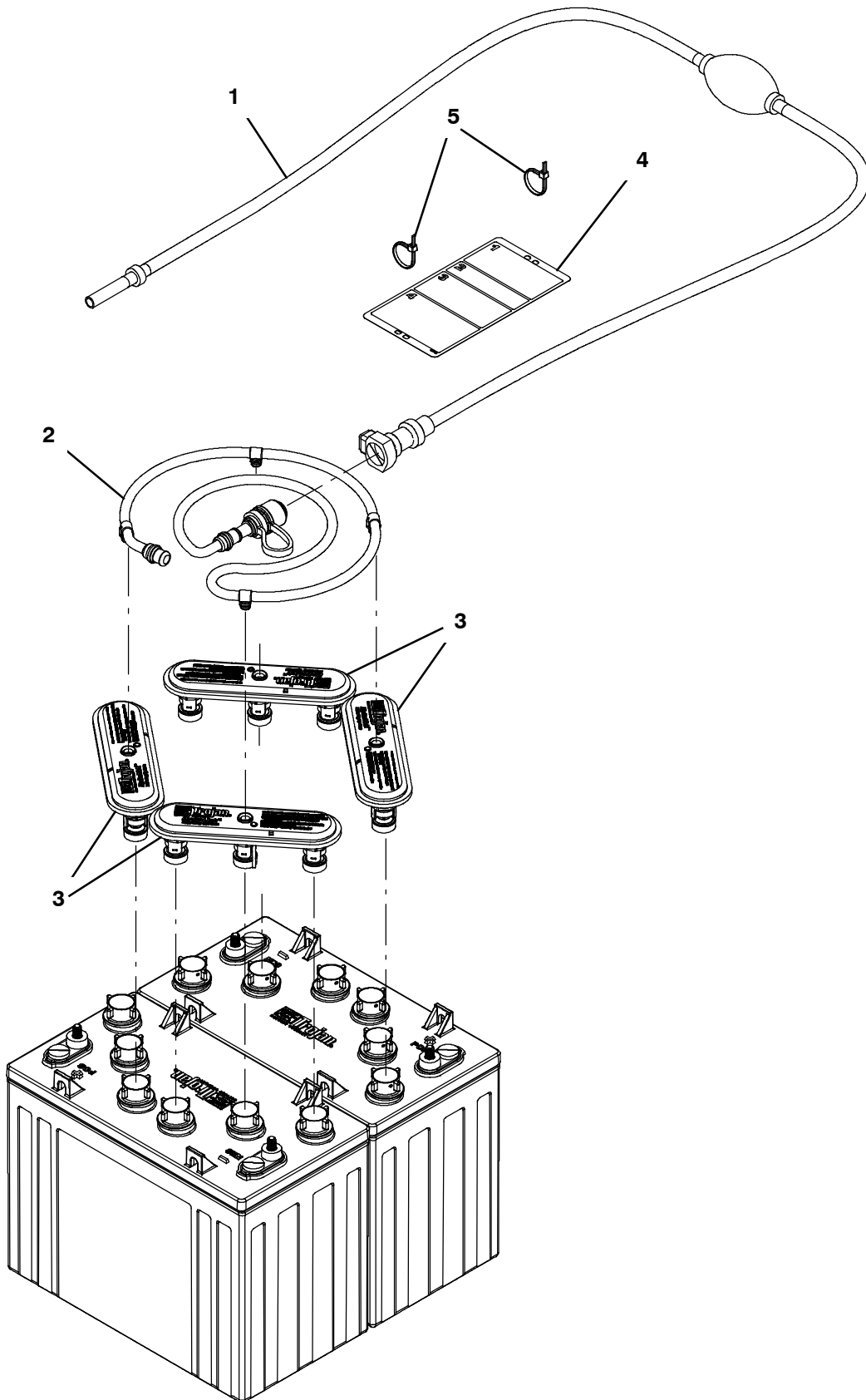
*THIS KIT IS INTENDED FOR USE WITH TROJAN® LEAD ACID BATTERIES ONLY.

▽ ASSEMBLY

▲ INCLUDED IN ASSEMBLY

HYDROLINK® BATTERY WATERING SYSTEM KIT (S/N 1000000 - 11028697)

355316



HYDROLINK® BATTERY WATERING SYSTEM KIT (S/N 10000000 - 11028697)

	Ref.	Part No.	Serial Number	Description	Qty.
▽		9010300*	(10000000- 11028697)	Battery Fill Kit, 24v, Ci [Hydrolink] (Replaced By 9021730) (For Use Only With 150AH Trojan Batteries)	1
▲	1	1058939	(10000000- 11028697)	Pump Kit, Fill, Battery	1
▲	2	1229544	(10000000- 11028697)	Tube, Water, Battery, 24vdc [Trojan]	1
▲	3	1204142	(10000000- 11028697)	Cap, Fill, Battery [Trojan]	4
▲	4	1071084	(10000000- 11028697)	Label, Tag, Battery [Hydrolink Watering]	1
▲	5	130773	(10000000- 20000000)	Tie, Cable, Nyl, 11.0l, .14w, 3.0 Max. D	2

*THIS KIT IS INTENDED FOR USE WITH TROJAN® LEAD ACID BATTERIES ONLY.

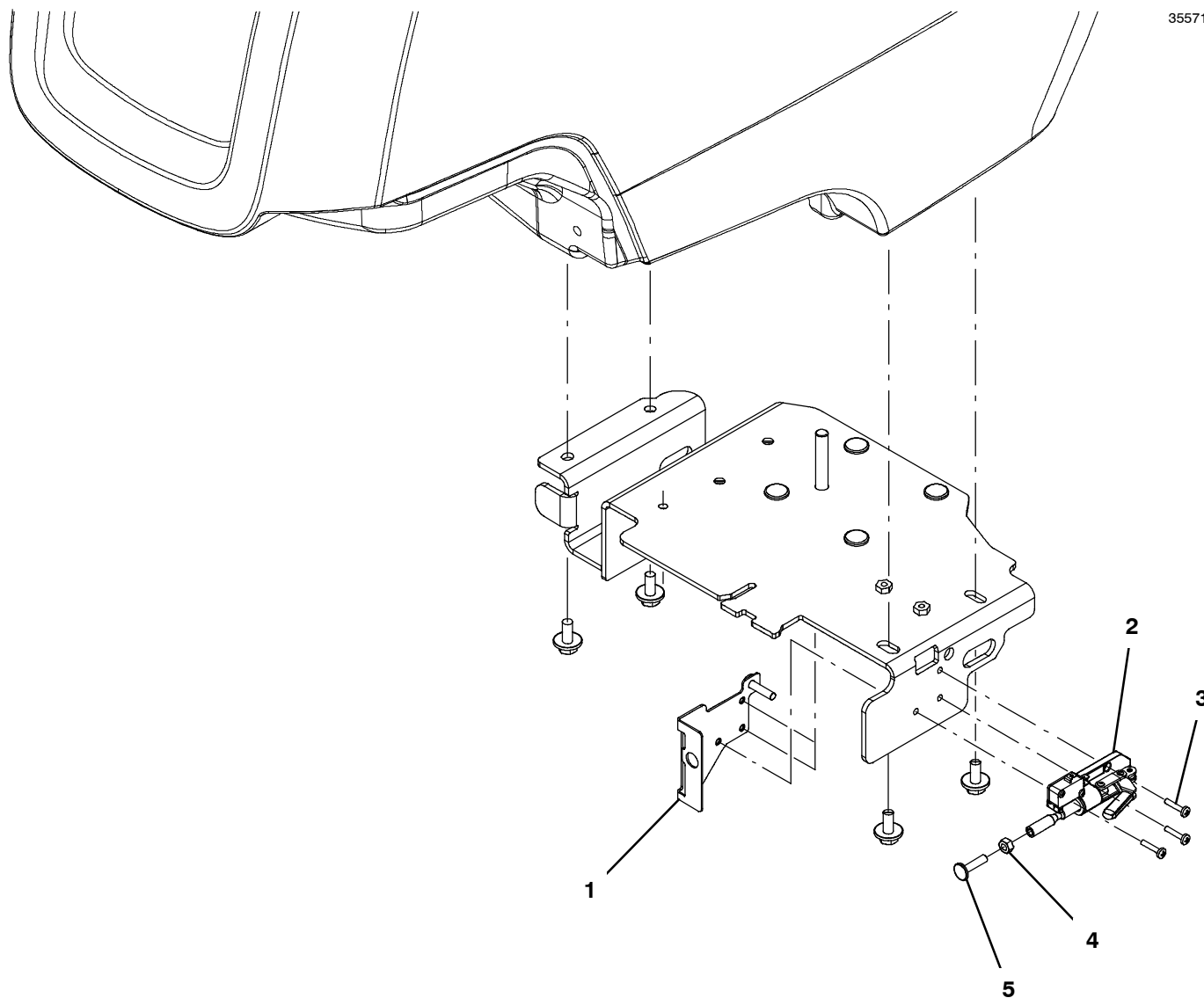
HYDROLINK® IS A REGISTERED TRADEMARK OF TROJAN BATTERY COMPANY.

▽ ASSEMBLY

▲ INCLUDED IN ASSEMBLY

PARKING BRAKE GROUP

355716



Ref.	Part No.	Serial Number	Description	Qty.
1	1211230	(10000000-20000000)	Plate Wldt, Brake	1
2	1209983	(10000000-20000000)	Clamp, Brake, Parking	1
3	24265	(10000000-20000000)	Screw, Pan, Phl, M4 X 0.70 X 16, Ss	3
4	07785	(10000000-20000000)	Nut, Hex, Std, M6 X 1.00, Ss	1
5	1017416	(10000000-20000000)	Screw, Weld, M6 X 1.00 X 25, Thru, Ss	1

DOCUMENTATION GROUP (ONLINE ONLY)

Ref.	Part No.	Serial Number	Description	Qty.
9014511		(10000000- 20000000)	Manual, Parts [Speed Scrub 300]	1
9014512		(10000000- 20000000)	Manual, Oprtr [Speed Scrub 300, En]	1
9014513		(10000000- 20000000)	Manual, Oprtr [Speed Scrub 300, Es]	1
9014514		(10000000- 20000000)	Manual, Oprtr [Speed Scrub 300, Fr]	1
9014515		(10000000- 20000000)	Instr, Wall Chart [Speed Scrub 300]	1
9014516		(10000000- 20000000)	Manual, Service [Speed Scrub 300, En]	1

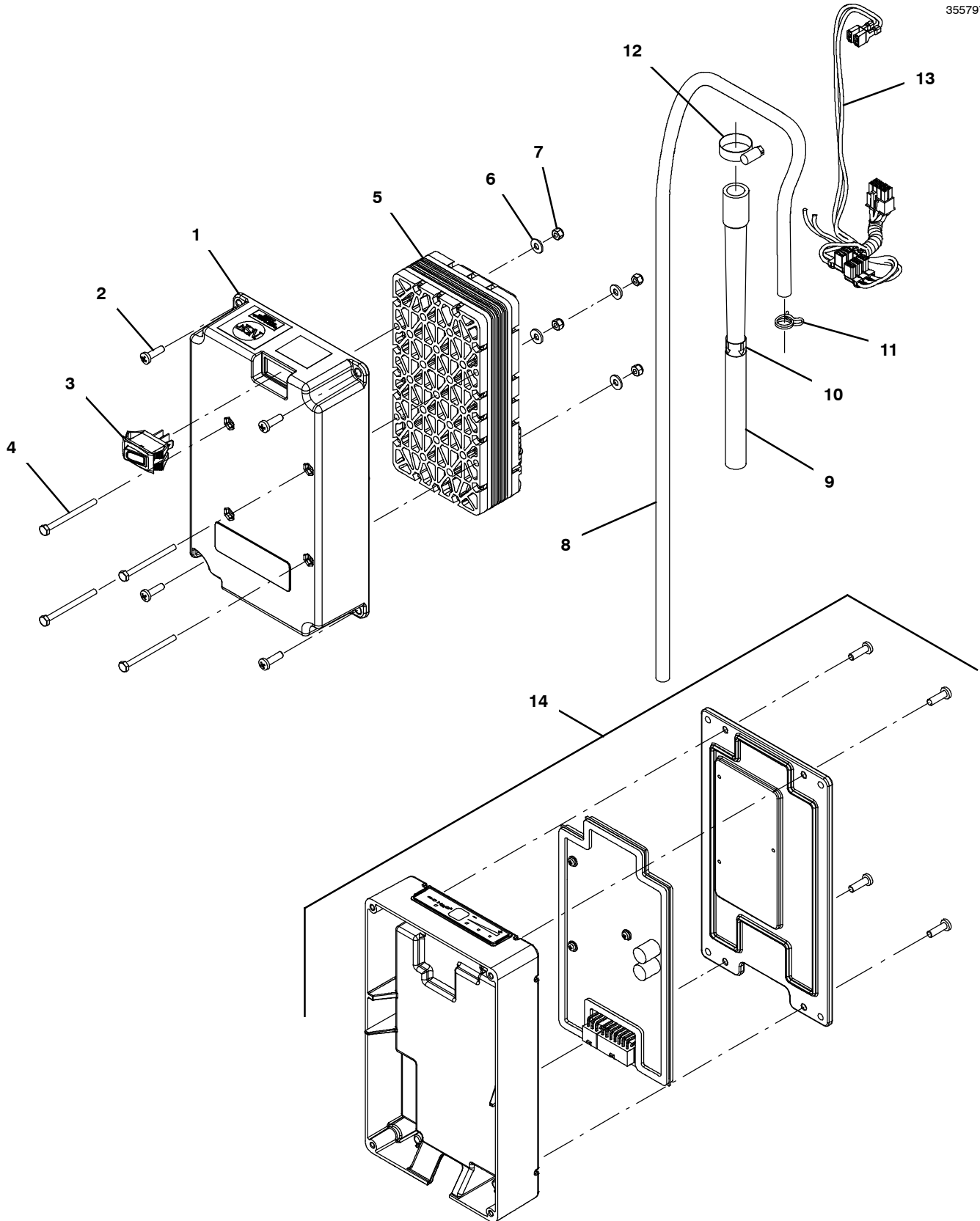


To view, print, order, download the latest Parts manual, other language Operator manuals, and Use and Care Guides (wall charts), visit:

www.nobles.com/manuals

ec- H2O NANOCLEAN MODULE BREAKDOWN 9020643, 9021553
(S/N 10998060 -)

355797



**ec- H2O NANOCLEAN MODULE BREAKDOWN 9020643, 9021553
(S/N 10998060 -)**

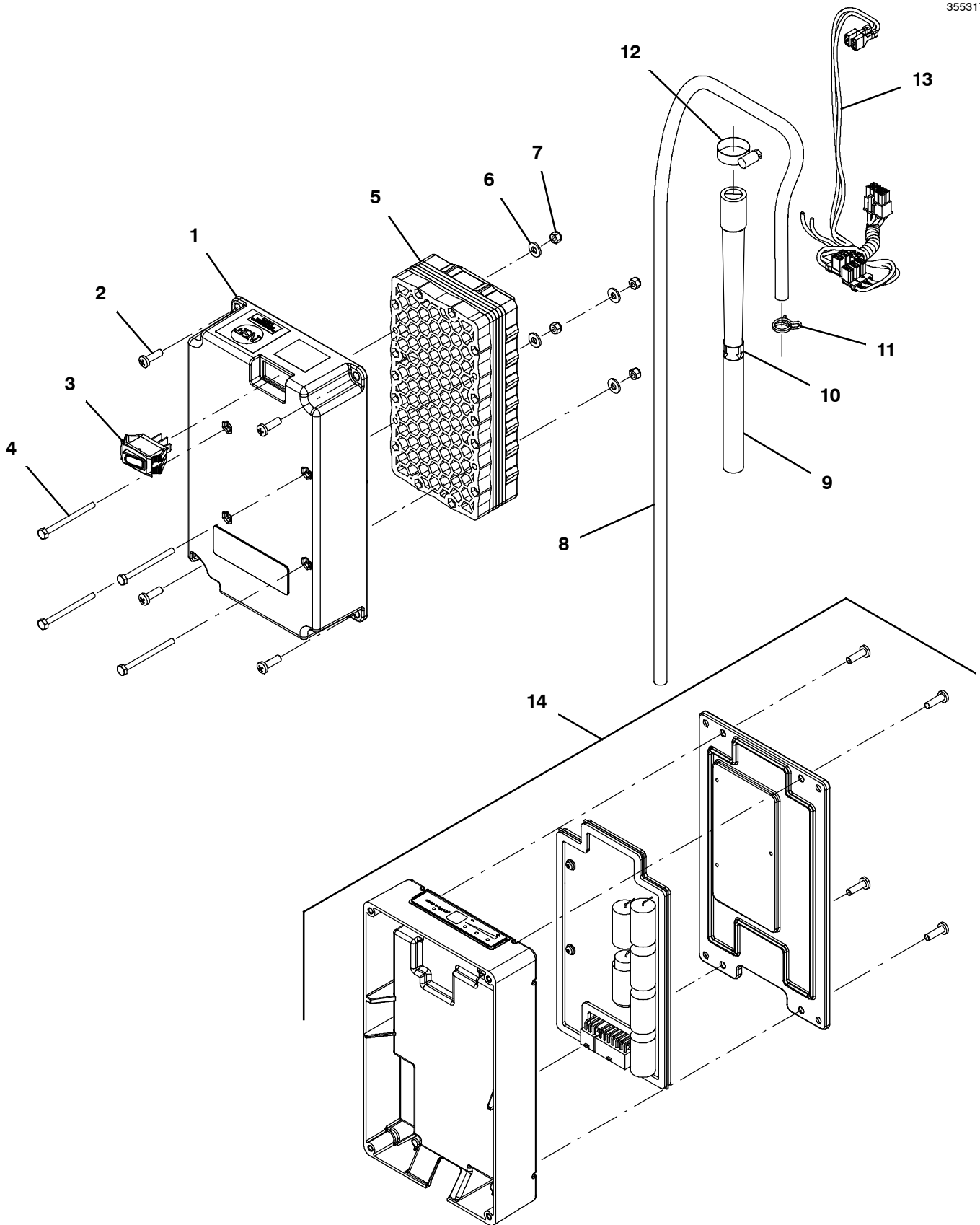
Ref.	Part No.	Serial Number	Description	Qty.
▽	9021553	(SEP2022- 20000000)	Module Kit, Replmt [Ec- H2o, B 02] (Includes ec- H2O NanoClean Cartridge)	1
▽	9020643	(10998060- AUG2022)	Module Kit, Replmt [Ec- H2o, B 02] (Replcd By 9021553) (Includes ec- H2O NanoClean Cartridge)	1
▲▽	9014126	(10000000- 20000000)	Ec- H2o Nc Kit [Module B, Plumbing]	1
▲▲	1 1208823	(10000000- 20000000)	Housing, Module, Upper, Ec- H2o	1
▲▲	2 1015506	(10000000- 20000000)	Screw, Pan, Phl, M5 X 16, Tcut [Plastic]	4
▲▲	3 1044393	(10000000- 20000000)	Switch, Rocker, Spst, Mom	1
▲▲	4 32509	(10000000- 20000000)	Screw, Hex, M4 X 0.70 X 50, Ss	4
▲▲	5 1233516	(10983853- 20000000)	Electrode, 5 Plate [De Nora Tech]	1
▲▲	6 41579	(10000000- 20000000)	Washer, Flat, 08, Ss	4
▲▲	7 33932	(10000000- 20000000)	Nut, Hex, Lock, M4 X 0.70, NI, Ss	4
▲▲	8 1006415	(10000000- 20000000)	Hose, Afrmkt, Pvc, Clr, 0.25id, 03ft	1
▲▲	9 1208526	(10000000- 20000000)	Hose, Molded, Bm08/Bm06	1
▲▲	10 1049637	(10000000- 20000000)	Label, Direction [Ec- H2o]	1
▲▲	11 613735	(10000000- 20000000)	Clamp, Hose, Wir, .40 - .42, Yel	1
▲▲	12 54333	(10000000- 20000000)	Clamp, Hose, Wormdrive, 0.31- 0.88d, .31w	1
▲▲	13 1073286	(10000000- 20000000)	Harness, Ele, Module B2 [Ec- H2o]	1
▲	14 9020642	(10998060- 20000000)	Controller Kit, Replmt [Ec- H2o Nc] (Includes ec- H2O NanoClean Cartridge)	1

▽ ASSEMBLY

▲ INCLUDED IN ASSEMBLY

ec- H2O NANOCLEAN MODULE BREAKDOWN 9011810
(S/N 10000000 - 10998059)

355317



**ec- H2O NANOCLEAN MODULE BREAKDOWN 9011810
(S/N 10000000 - 10998059)**

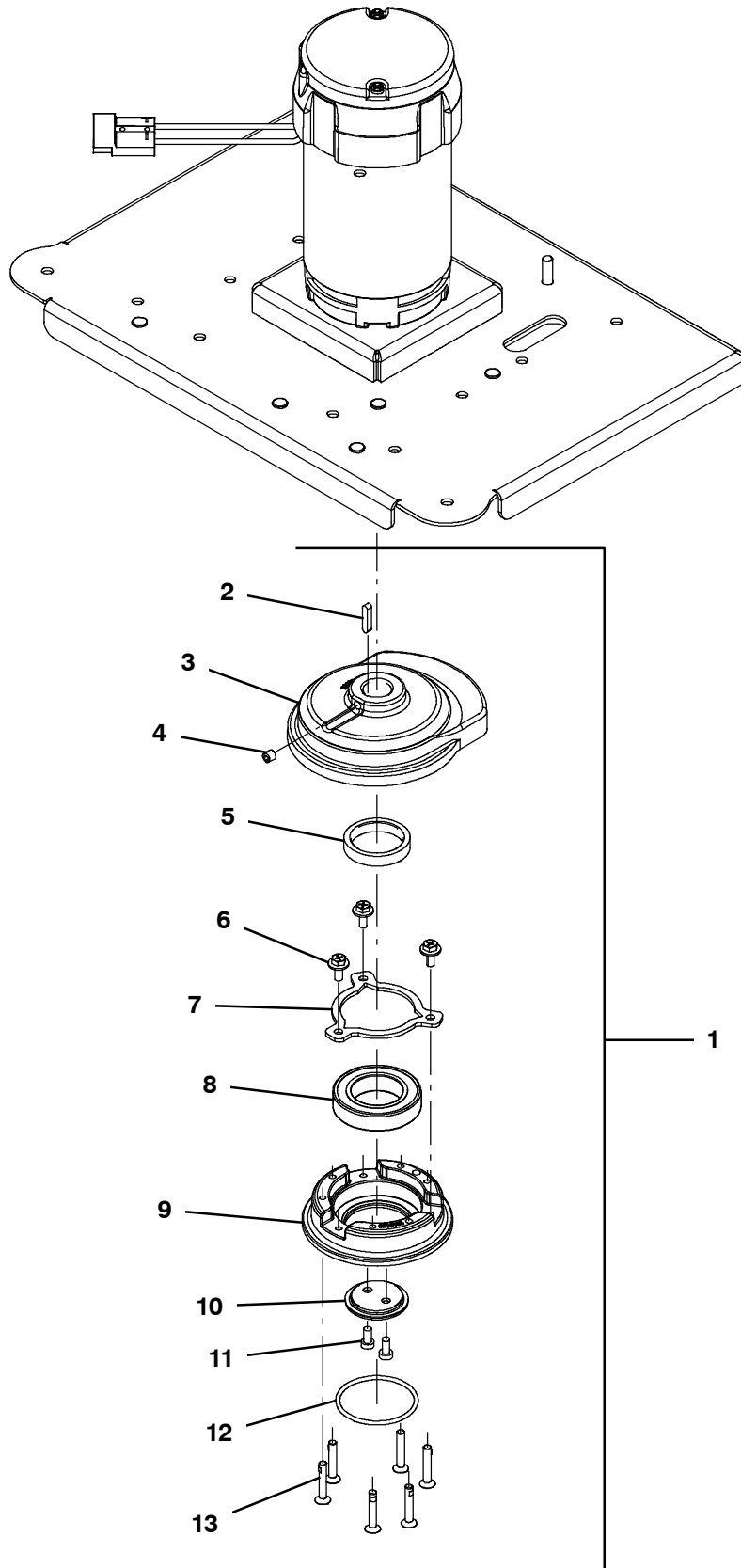
	Ref.	Part No.	Serial Number	Description	Qty.
▽		9011810	(10000000- 10998059)	Module Kit, Replmt [Ec- H2o, B 02] (Includes ec- H2O NanoClean Cartridge) (Replaced By 9021553)	1
▲▽		9014126	(10000000- 20000000)	Ec- H2o Nc Kit [Module B, Plumbing]	1
▲▲	1	1208823	(10000000- 20000000)	Housing, Module, Upper, Ec- H2o	1
▲▲	2	1015506	(10000000- 20000000)	Screw, Pan, Phl, M5 X 16, Tcut [Plastic]	4
▲▲	3	1044393	(10000000- 20000000)	Switch, Rocker, Spst, Mom	1
▲▲	4	32509	(10000000- 20000000)	Screw, Hex, M4 X 0.70 X 50, Ss	4
▲▲	5	1208164	(10000000- 10983852)	Electrode, 5 Plate, High Flow (Replaced By 1233516)	1
▲▲	6	41579	(10000000- 20000000)	Washer, Flat, 08, Ss	4
▲▲	7	33932	(10000000- 20000000)	Nut, Hex, Lock, M4 X 0.70, NI, Ss	4
▲▲	8	1006415	(10000000- 20000000)	Hose, Afrmkt, Pvc, Clr, 0.25id, 03ft	1
▲▲	9	1208526	(10000000- 20000000)	Hose, Molded, Bm08/Bm06	1
▲▲	10	1049637	(10000000- 20000000)	Label, Direction [Ec- H2o]	1
▲▲	11	613735	(10000000- 20000000)	Clamp, Hose, Wir, .40 - .42, Yel	1
▲▲	12	54333	(10000000- 20000000)	Clamp, Hose, Wormdrive, 0.31- 0.88d, .31w	1
▲▲	13	1073286	(10000000- 20000000)	Harness, Ele, Module B2 [Ec- H2o]	1
▲	14	9014127	(10000000- 10998059)	Controller Kit, Replmt [Ec- H2o Nc] (Includes ec- H2O NanoClean Cartridge) (Replaced By 9020642)	1

▽ ASSEMBLY

▲ INCLUDED IN ASSEMBLY11

ORBITAL HEAD ECCENTRIC DRIVE BREAKDOWN

355337



ORBITAL HEAD ECCENTRIC DRIVE BREAKDOWN

	Ref.	Part No.	Serial Number	Description	Qty.
▽	1	9014175	(10000000- 20000000)	Kit, Eccentric Assy, [T300]	1
▲	2	1014328	(10000000- 20000000)	Key, Sq, 05mm X 05mm, 25mm	1
▲	3	N/A	(10000000- 20000000)	Balance, Eccentric, Step [Machined]	1
▲	4	N/A	(10000000- 20000000)	Screw, Set, M8 X 1.25 X 8, SS	1
▲	5	N/A	(10000000- 20000000)	Spacer, Eccentric	1
▲	6	N/A	(10000000- 20000000)	Screw, Hex, M6 X 1.00 X 16, Sems	3
▲	7	N/A	(10000000- 20000000)	Plate, Retainer, Brg, Outer	1
▲	8	1206608	(10000000- 20000000)	Bearing, Ball, 1.58b 2.68d 0.59w [2seal]	1
▲	9	N/A	(10000000- 20000000)	Housing, Bearing, Outer [Machined]	1
▲	10	N/A	(10000000- 20000000)	Retainer, Bearing, Inner [Qpq]	1
▲	11	N/A	(10000000- 20000000)	Screw, Soc, M6 X 1.00 X 12, 8.8, Low	2
▲	12	1208266	(10000000- 20000000)	O- Ring, 57.15 X 3.18, Nbr	1
▲	13	1212710	(10000000- 20000000)	Screw, Flt, Soc, M6 X 1.00 X 35, 10.9,NI	6

▽ ASSEMBLY

▲ INCLUDED IN ASSEMBLY