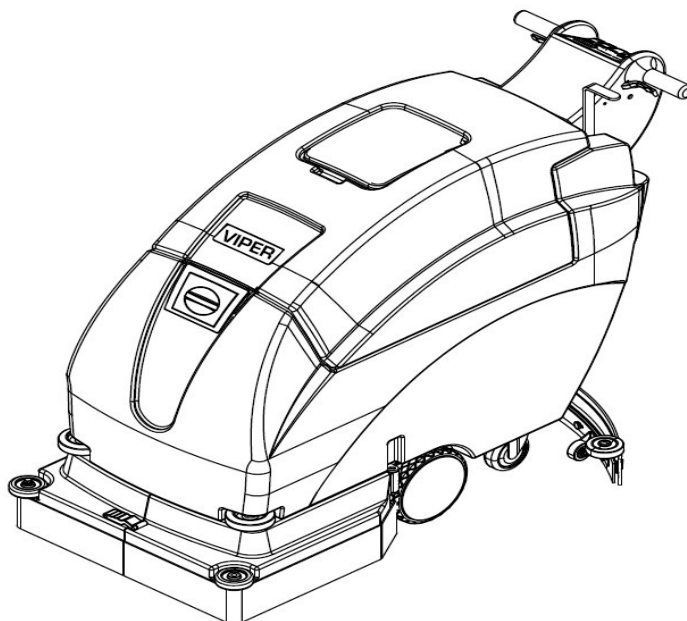




# User Manual

Original instructions

## FANG 20HD-EU



ENGLISH	OPERATING INSTRUCTIONS.....	1-6, 7-26
DEUTSCH	BEDIENUNGSANLEITUNG.....	1-6, 27-48
FRANÇAIS	MANUEL D'UTILISATION.....	1-6, 49-69
NEDERLANDS	GEBRUIKERS HANDLEIDING.....	1-6, 70-89
ITALIANO	ISTRUZIONI PER L'USO.....	1-6, 90-110
ESPAÑOL	MANUAL DE USUARIO.....	1-6, 111-130
PORTUGUÊS	MANUAL DO UTILIZADOR.....	1-6, 131-150
ΕΛΛΗΝΙΚΑ	ΕΓΧΕΙΡΙΔΙΟ ΧΡΗΣΗΣ.....	1-6, 151-174
TÜRKÇE	KULLANIM KILAVUZU.....	1-6, 175-194
ČESKÝ	NÁVOD K OBSLUZE.....	1-6, 195-214
POLSKI	INSTRUKCJA OBSŁUGI.....	1-6, 215-234
MAGYAR	KEZELÉSI UTASÍTÁS.....	1-6, 235-254
ROMÂNĂ	MANUAL DE UTILIZARE.....	1-6, 255-274
РУССКИЙ	РУКОВОДСТВО ПОЛЬЗОВАТЕЛЯ.....	1-6, 275-295
БЪЛГАРСКИ	РЪКОВОДСТВО НА ПОТРЕБИТЕЛЯ.....	1-6, 296-316

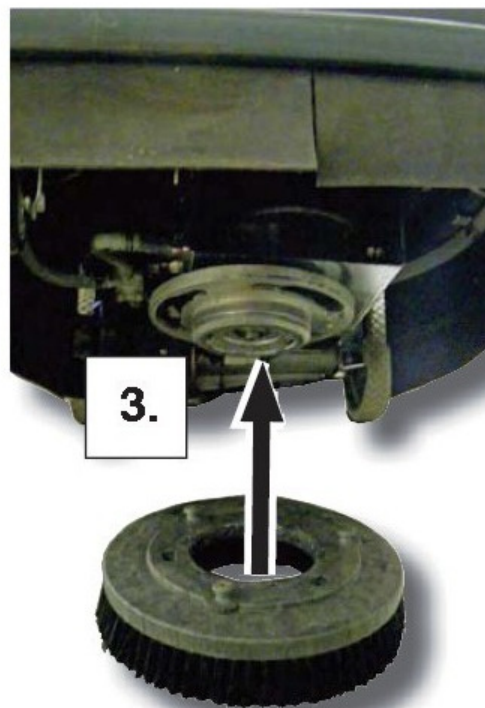
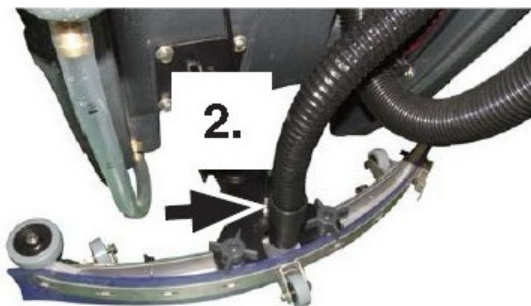
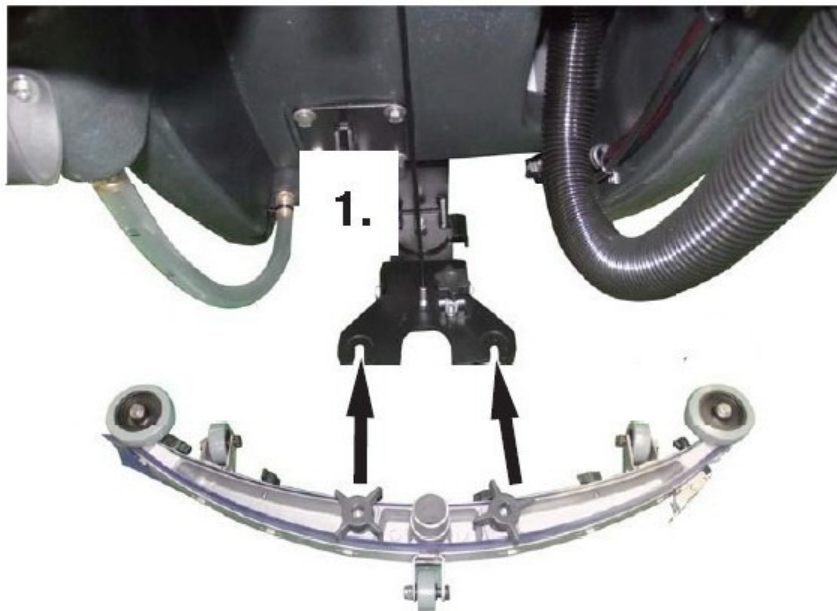
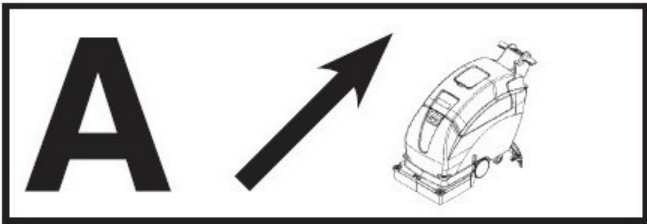
Company information:

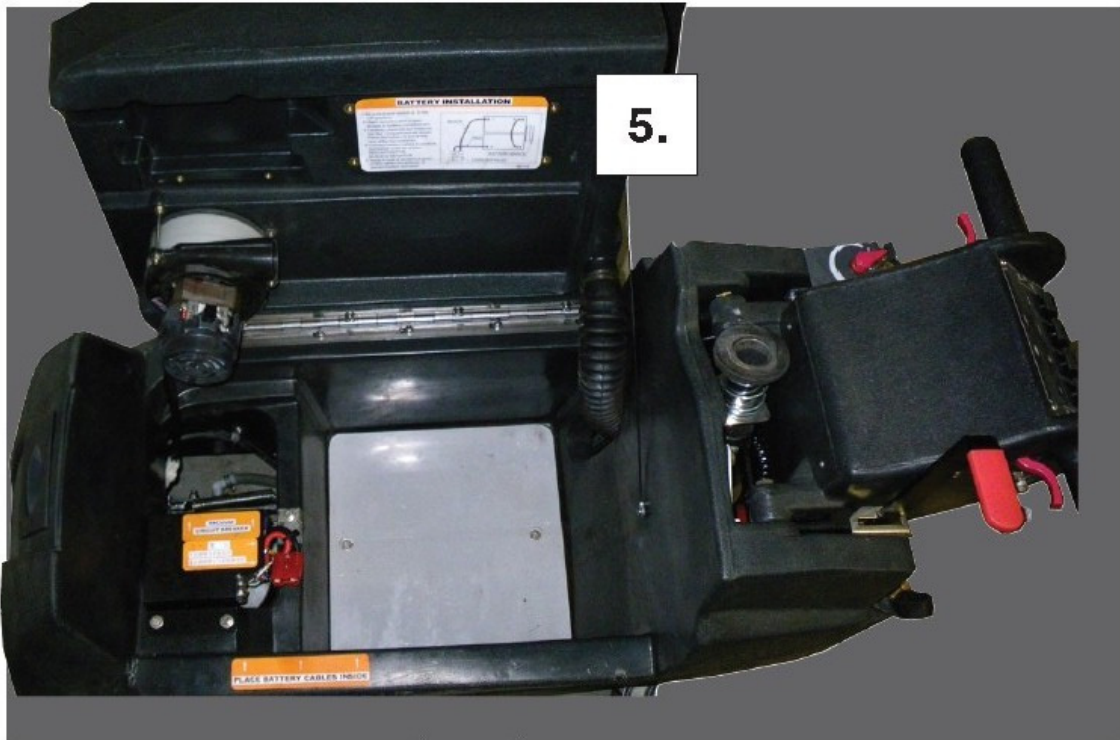
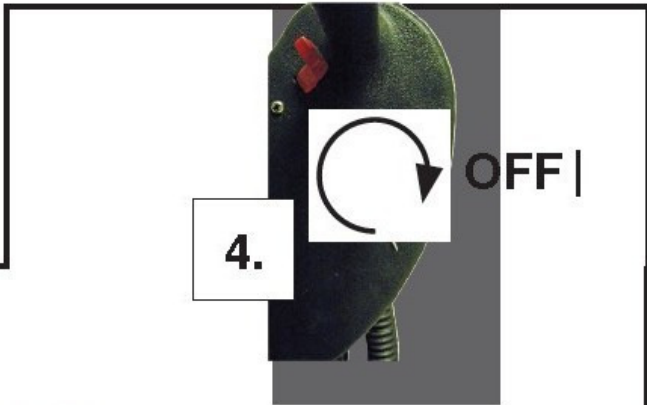
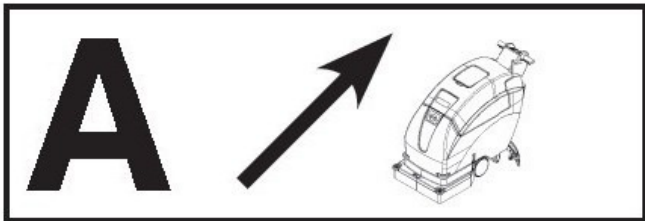
[www.vipercleaning.eu](http://www.vipercleaning.eu)

[info-eu@vipercleaning.com](mailto:info-eu@vipercleaning.com)









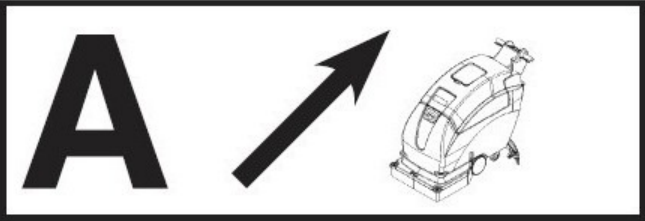
6.

**BATTERY INSTALLATION**

1. Be sure power switch is in the "off" position.
2. Open recovery tank to gain access to battery compartment.
3. Carefully place the two batteries into the compartment as shown. Place the battery brace at the rear of the two batteries.
4. Connect battery cables to posts in numbered order as shown. RED to POSITIVE BLACK to NEGATIVE
5. Apply A coat or protective spray on the cable connections to prevent battery corrosion.

82115

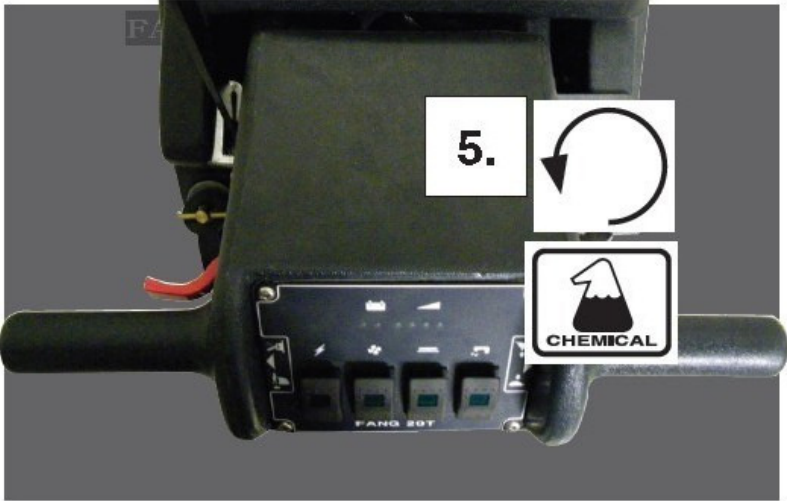
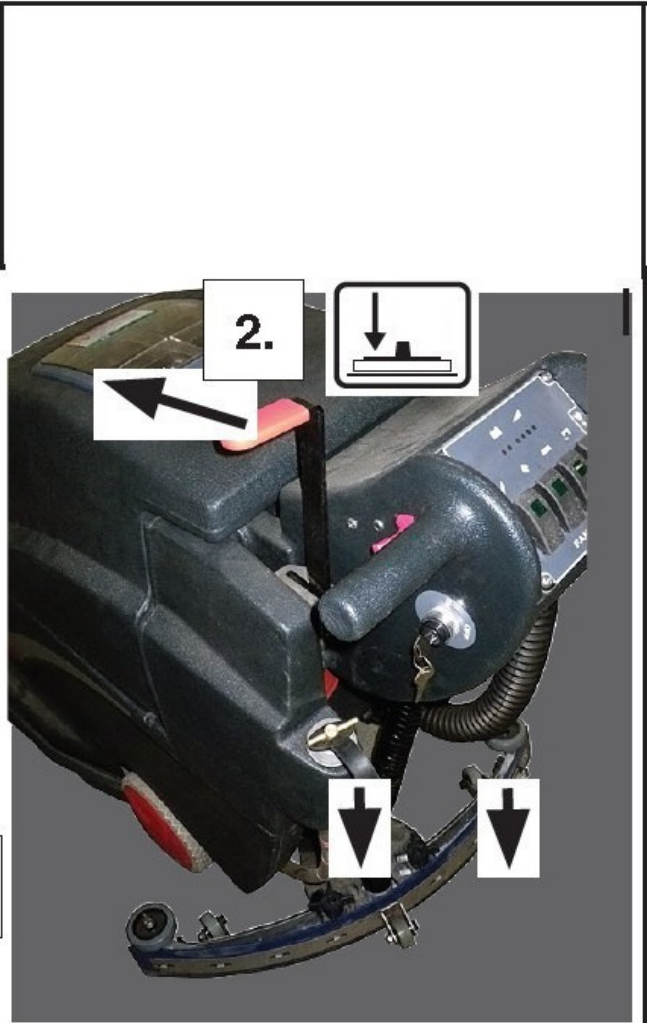
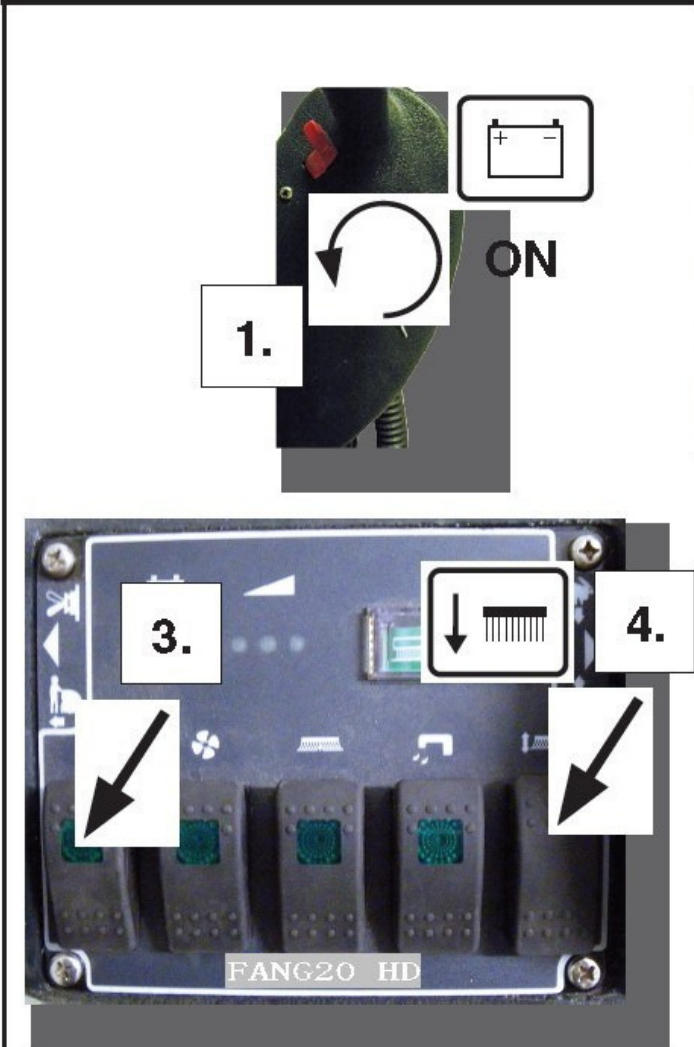




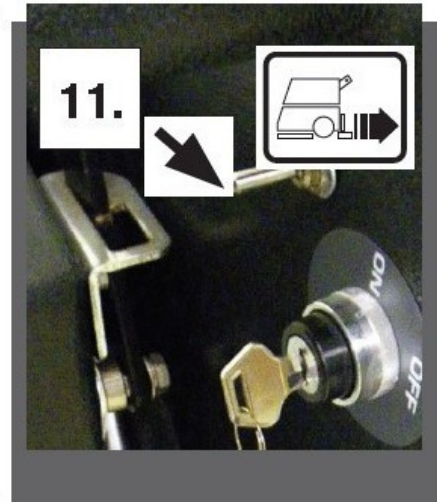
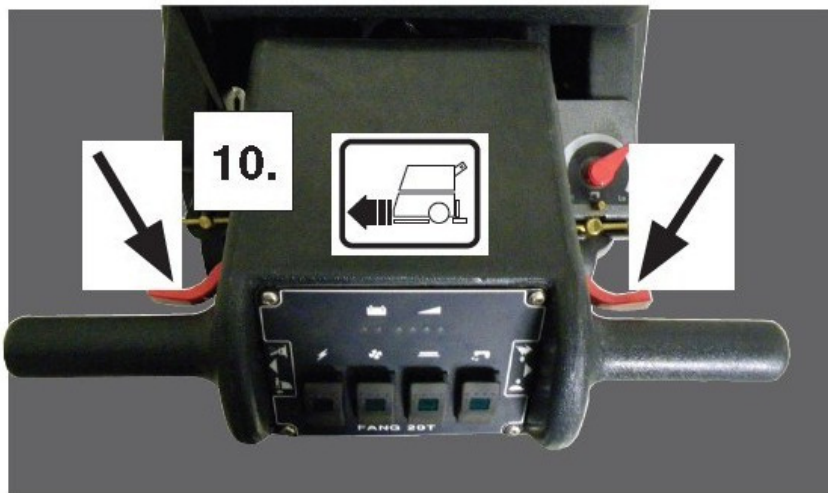
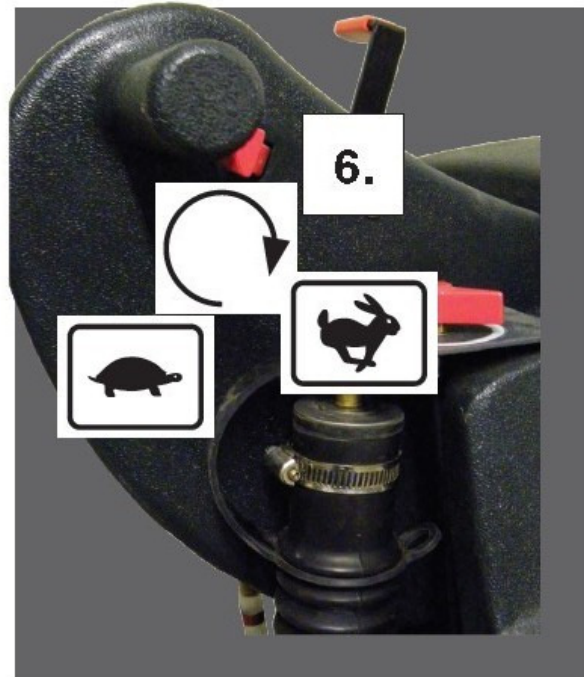
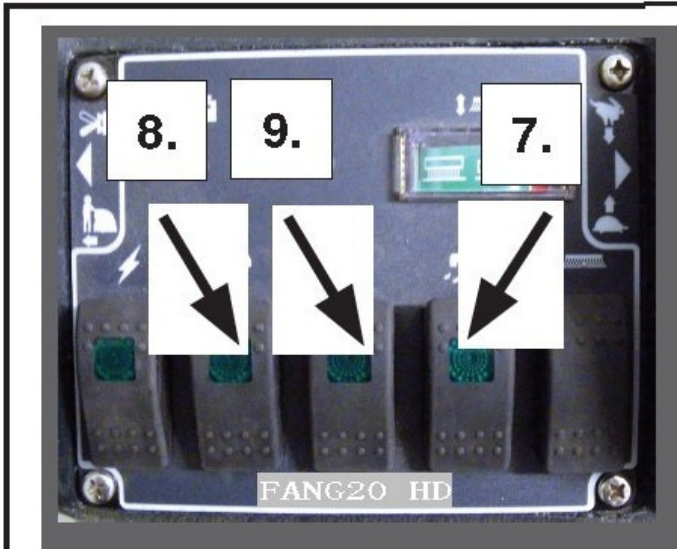
7.



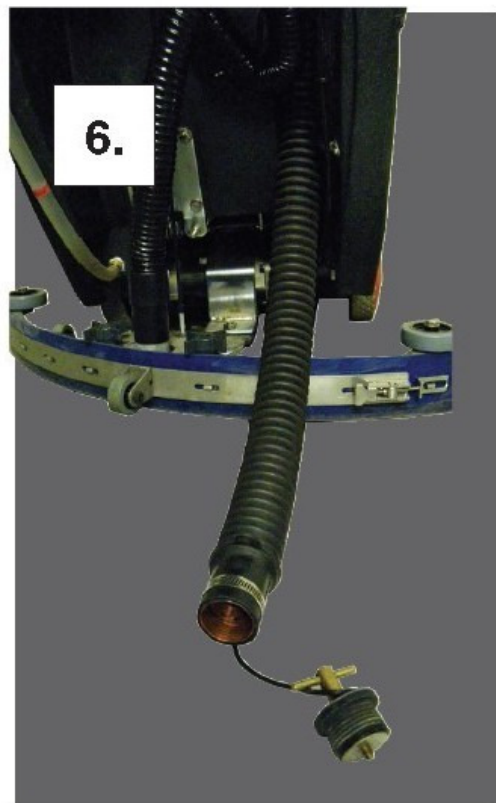
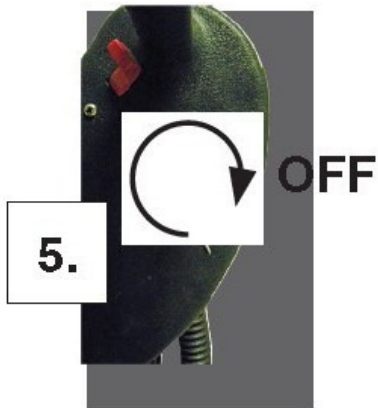
# B



# B










## TABLE OF CONTENT

INTRODUCTION.....	8
MANUAL PURPOSE AND CONTENTS.....	8
TARGET.....	8
HOW TO KEEP THIS MANUAL.....	8
DECLARATION OF CONFORMITY.....	8
IDENTIFICATION DATA.....	8
OTHER REFERENCE MANUALS.....	8
SPARE PARTS AND MAINTENANCE.....	8
CHANGES AND IMPROVEMENTS.....	8
PURPOSE AND INTENDED USE.....	8
CONVENTIONS.....	9
UNPACKING/DELIVERY.....	9
SAFETY.....	9
SYMBOLS USED TO MARK INSTRUCTIONS.....	9
GENERAL INSTRUCTIONS.....	10
MACHINE DESCRIPTION.....	13
MACHINE STRUCTURE.....	13
ACCESSORIES/OPTIONS.....	14
WIRING DIAGRAM (FANG20HD-EU ).....	16
OPERATION.....	17
BEFORE STARTING THE MACHINE.....	17
WHILE OPERATING MACHINE.....	21
MAINTENANCE.....	23
DAILY MAINTENANCE.....	23
WEEKLY MAINTENANCE.....	23
MONTHLY MAINTENANCE.....	23
VACUUM SYSTEM MOTOR FILTER CLEANING.....	23
SOLUTION/CLEAN WATER FILTER CLEANING.....	24
SQUEEGEE BLADE CHECK AND REPLACEMENT.....	24
BRUSH/PAD CLEANING.....	25
TROUBLESHOOTING.....	25
STORAGE.....	26
RECYCLING THE CLEANER.....	26

## INTRODUCTION

	<p><b>NOTE</b> The numbers in brackets refer to the components shown in Machine Description chapter.</p>
---	--

## MANUAL PURPOSE AND CONTENTS

The purpose of this Manual is to provide the operator with all necessary information to use the machine properly, in a safe and au-tonomous way. It contains information about technical data, safety, operation, storage, maintenance, spare parts and disposal. Before performing any procedure on the machine, the operators and qualified technicians must read this manual carefully. Contact Viper in case of doubts concerning the interpretation of the instructions and for any further information.

## TARGET

This manual is intended for operators and technicians qualified to perform the machine maintenance.


The operators must not perform procedures reserved for qualified technicians. Viper will not be answerable for damages coming from the non-observance of this prohibition.

## HOW TO KEEP THIS MANUAL

The User Manual must be kept near the machine, inside an adequate case, away from liquids and other substances that can cause damage to it.

## DECLARATION OF CONFORMITY

The declaration of conformity, supplied with the machine, certifies the machine conformity with the law in force.

	<p><b>NOTE</b> Two copies of the original declaration of conformity are provided together with the machine documentation. The CE-declaration is printed in the Quick Start Guide.</p>
---	---

## IDENTIFICATION DATA

The machine model and serial number are marked on the plate.

This information is useful when requiring machine spare parts. Use the following table to write down the machine identification data.

MACHINE mode.....
MACHINE serial number.....

## OTHER REFERENCE MANUALS

- Service Manual (can be consulted at Viper Service Centers)
- Spare Parts List (see [www.vipercleaning.eu](http://www.vipercleaning.eu))

## SPARE PARTS AND MAINTENANCE

All necessary operating, maintenance and repair procedures must be performed out by qualified personnel or by Viper Service Centers. Only original spare parts and accessories must be used. Contact Viper for service or to order spare parts and accessories, specifying the machine model and serial number.

## CHANGES AND IMPROVEMENTS

Viper constantly improves its products and reserves the right to make changes and improvements at its discretion without being obliged to apply such benefits to the machines that were previously sold.

Any change and/or addition of accessories must be approved and performed by Viper.

## PURPOSE AND INTENDED USE

All automatic cleaning machines are exclusively intended for the wet cleaning of water-resistant floor coverings in building interiors.

The automatic cleaning machines cannot be used for fitted carpet and carpet cleaning.

This appliance is suitable for commercial use, for example in hotels, schools, hospitals, factories, shops, offices and rental businesses.

Any other use is considered as improper use. The manufacturer accepts no liability for any damage resulting from such use. The risk for such use is borne solely by the user.

Proper use also includes proper operation, servicing and repairs as specified by the manufacturer.

Changes made to the automatic machines by the users themselves rule out the liability of the manufacturer for any resultant damage.

Floor coverings are to be checked with regard to the suitability of this cleaning method before the use of the machine!

Note the surface pressure in the case of point-elastic floors, e.g. in gymnasiums!

The manufacturer accepts no liability for damage to the machine and the floor covering to be cleaned which is caused by the use of the wrong brushes and cleaning agents.

## CONVENTIONS

Forward, backward, front, rear, left or right and up are intended with reference to the operator's position, that is to say in working position.

## UNPACKING/DELIVERY

To unpack the machine, carefully follow the instructions on the packing.

When the machine is delivered, check that the packing and the machine were not damaged during transportation. In case of visible damages, keep the packing and have it checked by the carrier that delivered it. Call the carrier immediately to fill in a damage claim.

Check contents of package to ensure that the following items are included:




- machine
- squeegee assembly
- brush driver (and pad driver)

## SAFETY

The following symbols indicate potentially dangerous situations. Always read this information carefully and take all necessary precautions to safeguard people and property.

The operator's cooperation is essential in order to prevent injury. No accident prevention program is effective without the total cooperation of the person responsible for the machine operation. Most of the accidents that may occur in a factory, while working or moving around, are caused by failure to comply with the simplest rules for exercising prudence. A careful and prudent operator is the best guarantee against accidents and is essential for successful completion of any prevention program.

## SYMBOLS USED TO MARK INSTRUCTIONS

	<p><b>DANGER!</b> Danger that leads directly to serious or irreversible injuries, or even death.</p>
	<p><b>WARNING!</b> Danger that can lead to serious injuries or even death.</p>
	<p><b>CAUTION!</b> Danger that can lead to minor injuries and damage.</p>

**NOTE**

Indicates a remark related to important or useful functions.

**GENERAL INSTRUCTIONS**

Specific warnings and cautions to inform about potential damages to people and machine are shown below.

The appliance must

- only be used by persons, who have been instructed in its correct usage and explicitly commissioned with the task of operating it
- only be operated under supervision
- not be used by children

The workplace is behind the cleaner.

Do not use any unsafe work techniques.

Always guide the cleaner with both hands on the handle.

When the cleaner is stationary, switch off the brush unit immediately to prevent damage to the floor covering.

Switch off the appliance and disconnect the battery plug in the following situations:

- Prior to cleaning and servicing
- Prior to replacing components
- Prior to changing over the appliance

Use of the cleaner is subject to current national regulations. Besides the operating instructions and binding accident prevention regulations valid in the country of use, observe recognized regulations for safe and proper work.

**TRANSPORT**

When transporting the cleaner in elevators

- observe current safety regulations, in particular with regard to carrying capacity.

**OPERATION**

In order to prevent unauthorized use of the appliance, the power source is to be switched off or locked, for example, by removing the key of the power switch.

Take all necessary precautions to prevent hair, jewels and loose clothes from being caught by the machine moving parts.

Before using the machine, close all doors and/or covers.

The machine working temperature must be between 0°C and +40°C.

The humidity must be between 30% and 95%.

Do not use the machine as a means of transport.

In case of fire, use a powder fire extinguisher, not a water one.

Do not tamper with the machine safety guards and follow the ordinary maintenance instructions scrupulously.

Do not allow any object to enter into the openings. Do not use the machine if the openings are clogged. Always keep the openings free from dust, hairs and any other foreign material which could reduce the air flow.

Do not remove or modify the plates affixed to the machine.

If the machine is used according to the instructions, the vibrations are not dangerous. The machine vibration level is less than 2.5 m/s<sup>2</sup> (98/37/EEC-EN 1033/1995).

The Hand/arm vibration levels are well below 2,5 m/s<sup>2</sup> (measured according to ISO 5349), which is the limit for an 8 hour continuous working period.

This machine must not be used on roads or public streets.

Viper machines can be used in combination with standard detergents which cannot damage any materials of Viper machines (no use of solvents or other aggressive liquid materials). Viper will not pay any claims regarding using aggressive detergents in Viper machines. If you need a special detergent for cleaning purposes, please contact your Viper dealer.

Pay attention during machine transportation when temperature is below freezing point. The water in the tank or in the hoses could freeze and seriously damage the machine.



## MAINTENANCE

To ensure machine proper and safe operation, the scheduled maintenance shown in the relevant chapter of this manual, must be performed by the authorised personnel or by Viper Service Center.

Carefully read all the instructions before performing any maintenance/repair procedure.

Do not work under the lifted machine without supporting it with safety stands.

Do not wash the machine with direct or pressurised water jets, or with corrosive substances.

## GUARANTEE

Our general conditions of business are applicable with regard to the guarantee.

Unauthorised modifications to the appliance, the use of incorrect brushes and detergents in addition to using the appliance in a way other than for the intended purpose exempt the manufacturer from any liability for the resulting damage.

## TESTS AND APPROVALS

Electrical tests must be performed in accordance with the provisions of safety regulations (BGV A3) and to DIN VDE 0701 Part 1 and Part 3.

In accordance with DIN VDE 0702 these tests must be performed at regular intervals and after repairs or modifications.

## ELECTRICAL COMPONENTS



### DANGER

Batteries.

Risk of explosion.

- Battery charging produces highly explosive hydrogen gas. Keep the tank assembly open during battery charging and perform this procedure in well-ventilated areas and away from naked flames.
- To reduce the risk of fire, electric shock, or injury, do not leave the machine unattended when it is plugged in. Before performing any maintenance procedure, disconnect the battery charger cable from the electrical mains.
- Do not smoke while charging the batteries.
- The use of non-genuine spare parts, accessories, batteries and chargers can impair the safety of the appliance. Only use spare parts and accessories from Viper and use batteries and chargers which VIPER recommend. When using non-certified and not recommended batteries and chargers, VIPER will not cover the cost of damages (warranty) caused of this.



### CAUTION

Battery charger.

Electric shock due to faulty mains connecting lead or charger cable.

Touching a faulty mains connecting lead or charger cable can result in serious or even fatal injuries.

- Keep the battery away from sparks, flames and incandescent material. During the normal operation explosive gases are released.
- Before using the battery charger, ensure that frequency and voltage values, indicated on the machine serial number plate, match the electrical mains voltage.
- Do not damage the mains power lead (e.g. by driving over it, pulling or crushing it).
- Regularly check whether the power cord is damaged or shows signs of ageing.
- Have the faulty mains connecting lead replaced by your Viper service representative or a qualified electrician prior to using the appliance again.
- Do not pull or carry the machine by the battery charger cable and never use the battery charger cable as a handle. Do not close a door on the battery charger cable, or pull the battery charger cable around sharp edges or corners.

- Keep the battery charger cable away from heated surfaces.
- Do not charge the batteries if the battery charger cable or the plug are damaged. If the machine is not working as it should, has been damaged, left outdoors or dropped into water, return it to the Service Center.

## STAIRS AND GRADIENTS



### CAUTION

Risk of tipping and slipping on stairs and gradients.

When negotiating stairs and gradients, there is a risk of personal injuries and damage to property.

- Do not negotiate steps.
- Only use the appliance on level surfaces with a maximum gradient of 2 %.

## FLOOR COVERINGS



### CAUTION

Damage to sensitive floor coverings.

Particularly sensitive floor coverings can be damaged by cleaning.

- Before using the cleaner, check whether floor coverings are suitable for this cleaning technique.
- Beware of area compression in point-elastic floors, e.g. in gym halls.
- Only use cleaning agents approved by Viper.

## MATERIALS HAZARDOUS TO HEALTH



### WARNING

Materials hazardous to health in floor coverings.

Floor coverings can contain materials that are hazardous to health, which dissolve during cleaning.

- Do not clean floor coverings from which dusts or liquids that are hazardous to health can dissolve.

## RISK OF EXPLOSION



### WARNING

Flammable and explosive materials.

Risk of explosion in explosive atmosphere or areas where flammable and explosive materials are stored.

- Do not operate the machine near dangerous, flammable and/or explosive powders, liquids or vapours.

## SPARE PARTS AND ACCESSORIES



### CAUTION

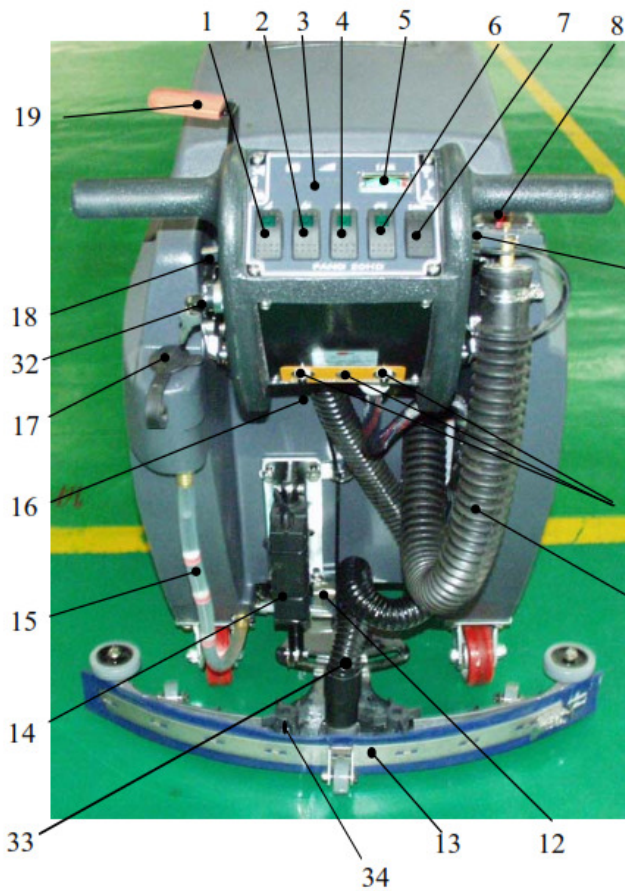
Non-genuine components and unsuitable detergents.

The use of non-genuine parts and unsuitable detergents can impair the safety of the appliance and lead to damage.

- Only use spare parts and accessories from Viper.
- Only use the accessories and detergents supplied with the appliance or those specified in the operating instructions.

MACHINE DESCRIPTION

MACHINE STRUCTURE



- 1. Main power ON/OFF switch
- 2. Vacuum ON/OFF switch
- 3. Battery level meter
- 4. Brush ON/OFF switch
- 5. Brush pressure meter
- 6. Solution ON/OFF switch
- 7. Brush pressure UP/DOWN switch
- 8. Solution control knob
- 9. Speed control knob
- 10. Circuit breakers
- 11. Recovery tank drain hose
- 12. Squeegee adjustment nut & shaft
- 13. Squeegee assembly
- 14. Scrub head actuator
- 15. Solution tank level sight tube

- 16. Console adjustment levers
- 17. Rear solution fill
- 18. Reverse switch
- 19. Squeegee lift lever
- 20. Control housing
- 21. Operating triggers
- 22. Solution tank
- 23. Rear casters
- 24. Transport wheels
- 25. Scrub head
- 26. Scrub head skirt
- 27. Skirt housing latch
- 28. Protective rollers
- 29. Front solution fill
- 30. Recovery tank
- 31. Recovery tank lid
- 32. Key switch
- 33. Squeegee vacuum hose
- 34. Squeegee mounting handwheel

Squeegee mounting handwheel

## ACCESSORIES/OPTIONS

In addition to the standard components, the machine can be equipped with the following accessories/options, according to the machine specific use:

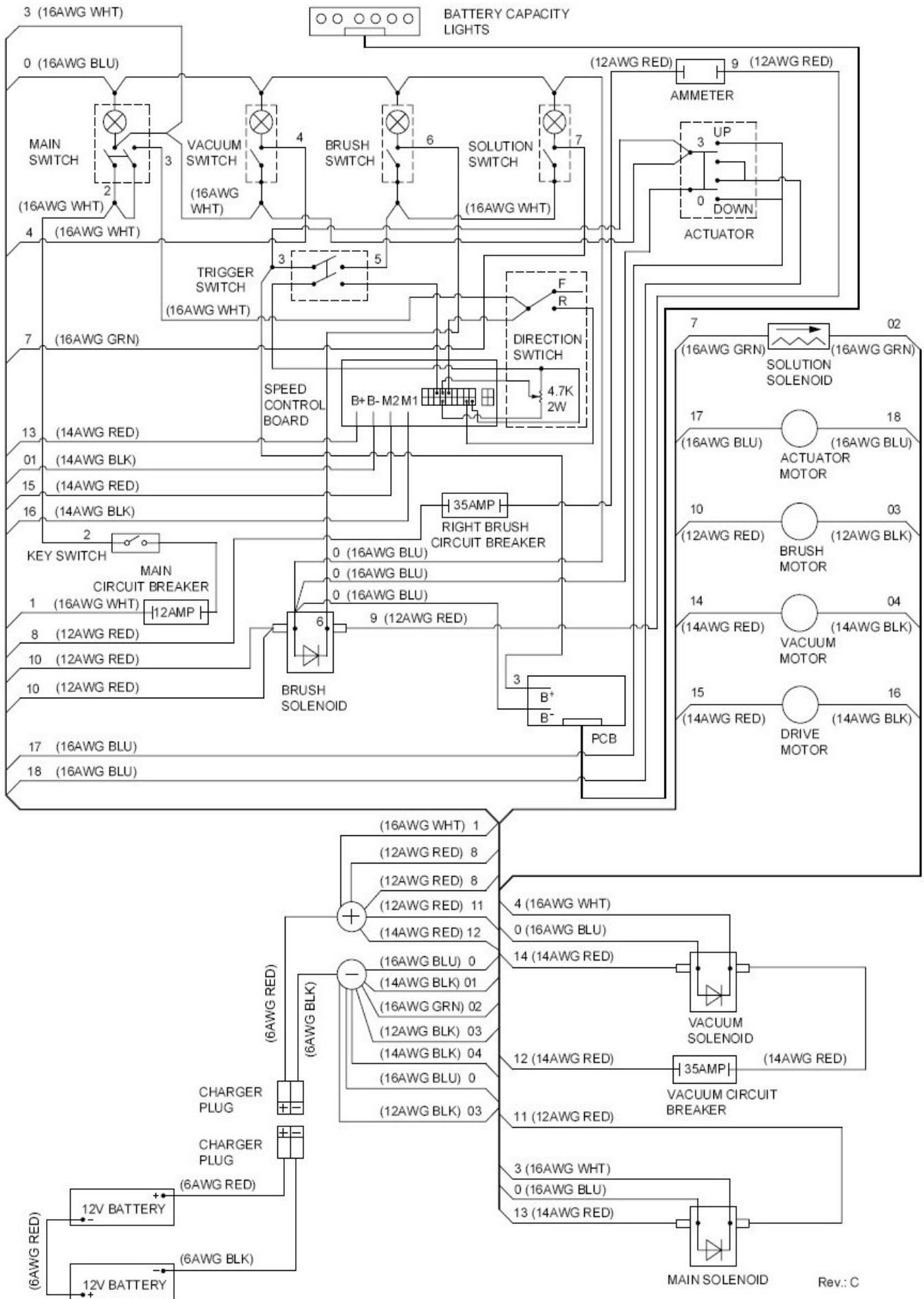
- Brush
- Pad driver

For further information concerning the optional accessories, contact an authorised retailer.

## TECHNICAL DATA

Model		<b>FANG 20HD-EU (1 brush/pad-holder, with drive system)</b>
Machine height	mm	990
Solution/clean water tank capacity	l	61
Recovery water tank capacity	l	61
Front wheel diameter	mm	76
Rear wheel diameter	mm	200
Vacuum system motor power	W	400
Drive system motor power	W	250
Drive speed (variable)	km/h	0 – 4.5
Gradeability	%	2
Sound pressure level at workstation	dB(A)	69
Standard batteries	Ah @ 20 h	2 x 12V/215AmP.hR
Vacuum system circuit capacity	mm H <sub>2</sub> O	1.397
Cleaning width	mm	510
Squeegee width	mm	750
Machine maximum length	mm	1.350
Machine width without squeegee	mm	560
Brush diameter	mm	510
Weight without batteries and with empty tanks	kg	107
Maximum weight with batteries and full tanks	kg	181
Brush motor power	W	560
Brush speed	rpm	200
Brush/pad-holder pressure	kg	UP TO91





**WIRING DIAGRAM (FANG20HD-EU )**

## WIRING DIAGRAM(FANG20HD-EU)

Colour codes

BLK	Black
BLU	Blue
GRU	Green
RED	Red
WHT	White

1	BATTERY CAPACITY LIGHTS	insert translation
2	MAIN SWITCH	insert translation
3	VACUUM SWITCH	insert translation
4	BRUSH SWITCH	insert translation
5	SOLUTION SWITCH	insert translation
6	AMMETER	insert translation
7	ACTUATOR	insert translation
8	TRIGGER SWITCH	insert translation
9	SPEED CONTROL BOARD	insert translation
10	DIRECTION SWITCH	insert translation
11	RIGHT BRUSH CIRCUIT	insert translation
12	KEY SWITCH	insert translation
13	MAIN CIRCUIT BREAKER	insert translation
14	BRUSH SOLENOID	insert translation
15	PCB	Insert translation
16	SOLUTION SOLENOID	Insert translation
17	ACTUATOR MOTOR	insert translation
18	BRUSH MOTOR	insert translation
19	VACUUM MOTOR	insert translation
20	DRIVE MOTOR	insert translation
21	VACUUM SOLENOID	insert translation
22	VACUUM CIRCUIT BREAKER	insert translation
23	MAIN SOLENIOD	insert translation
24	CHARGER PLUG	insert translation
25	BATTERY	insert translation

## OPERATION

### BEFORE STARTING THE MACHINE



**WARNING!**

On some points of the machine there are some adhesive plates indicating:

DANGER  
WARNING  
CAUTION  
CONSULTATION

While reading this Manual, the operator must pay careful attention to the symbols shown on the plates. Do not cover these plates for any reason and immediately replace them if damaged.

### BATTERY INSTALLATION

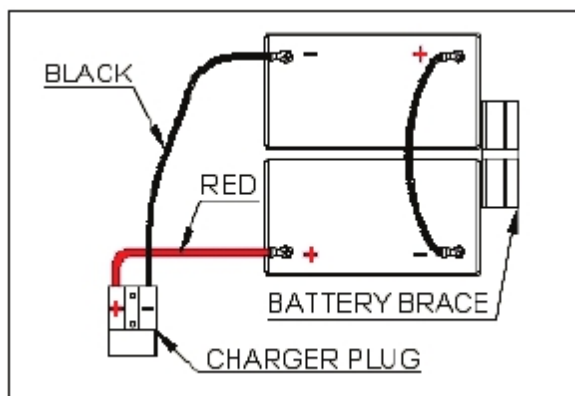


**WARNING!**

The electric components of the machine can be seriously damaged if the batteries are either improperly installed or connected. The batteries must be installed by qualified personnel only.

- Set the function electronic board and the battery charger (optional) according to the type of batteries used (WET or GEL).
- Check the batteries for damage before installation.
- Disconnect the battery connector and the battery charger plug.
- Handle the batteries with great care.
- Install the battery terminal protection caps supplied with the machine.

The machine requires two 12 V batteries, connected according to the below diagram:



There are no batteries on the machine from factory, but customers can purchase batteries ( WET or GEL).

- Buy appropriate batteries (see Technical Data paragraph).
  - For battery choice and installation, apply to qualified battery dealers.
  - Set the machine and the battery charger according to the type of batteries installed (WET or GEL) as shown in the following para-grap
- a) When batteries (WET or GEL) are already installed and ready to be used
- Check that the batteries are connected to the machine with the charger plug.
  - Insert the ignition key (32) and turn it to “on”.  
If the green warning light (3) turns on, the batteries are ready to be used.  
If the yellow or red warning light (3) turns on, the batteri es must be charged (see the procedure in Maintenance chapter).
- b) When batteries (WET) are installed on the machine, but without electrolyte
- Open the cover (31) and check that the recovery water tank (30) is empty, otherwise empty it with the drain hose (11).
  - Carefully lift the tank (30).

**WARNING!**

Pay attention when using sulphuric acid, as it is corrosive. If it comes in contact with skin or eyes, rinse thoroughly with water and consult a physician.

Batteries have to be filled in a well-ventilated area. Wear protective gloves.

- Fill up the battery cells with sulphuric acid for batteries (density 1.27 to 1.29 kg at 25°C) in accordance with the instructions shown in the Battery Manual. The correct quantity of sulphuric acid is shown in the Battery Manual.
- To avoid damaging the floor, dry with a cloth both acid and water on the top of the batteries after charging.
- Let the batteries rest and fill in with sulphuric acid in accordance with the instructions shown in the Battery Manual.
- Charge the batteries (see the procedure in Maintenance chapter).

**BATTERY CHARGER SETTING**

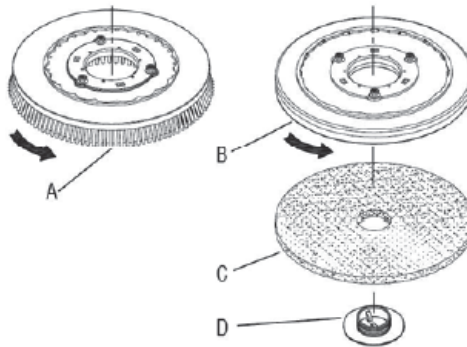
- The charger default setting is common position for AGM, Gel, SLA, VRLA from factory
- If needed use WET position only for lead batteries. Please contact dealer.

**PRE-OPERATION CHECKS**

- Sweep the outside of the machine.
- Make sure the voltage of machine conforms to local voltage.
- Check that squeegee is properly installed.
- Check that brush / pad is properly installed.

**INSTALLING PAD DRIVER OR BRUSH**

- Ensure that the machine is turned off.
- Lower brush head assembly to the floor by stepping on the foot pedal and pushing pedal forward.
- Tilt the machine backward to access the drive motor hub.

**NOTE**

Remove the squeegee assembly prior to tilting the machine backwards. It makes the process faster and easier.

**WARNING!**

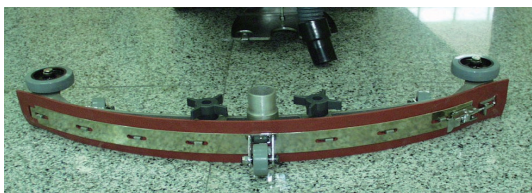
Do not keep the machine tilted back for a long time. This could cause battery acid to leak from the batteries.

- If using a pad driver, first attach the appropriate pad to the pad driver surface.
- Mount the pad driver or brush to the drive motor hub by lining up the three studs with the three holes in the drive motor hub. Once in the holes, rotate the driver toward the spring clip to lock driver into place.

**MOUNTING THE SQUEEGEE**



- Pull back on the squeegee lift lever to raise the squeegee bracket up.
- Loosen the two knobs on the squeegee and slide the squeegee into the slots at the rear of the squeegee bracket. (the wheels on the squeegee point to the back)
- Tighten the knobs securely.



### FILLING THE SOLUTION TANK

The Fang 20HD-EU can be filled in two different locations:

- a. Front fill area for use with a hose or a bucket.
  - b. Rear fill area for use with a hose only.
- Determine which fill area you would like to use to fill the machine with water.
  - Fill solution tank with up to 52 liters of water. (water temperature should not exceed 40° C). The clear tube in the back left of the machine has gallon markers to help determine the water level in the solution tank.

	<p><b>NOTE</b> If you are filling the solution tank with a bucket, make sure the bucket is clean. This will prevent debris from clogging the lines or solenoid.</p>
--	---

	<p><b>WARNING!</b> Do not put any flammable materials into solution tank. This can cause an explosion or a fire. Only use recommended cleaning chemicals. Contact your janitorial supply distributor for recommendations on proper chemicals.</p>
--	---

### MACHINE START AND STOP

	<p><b>WARNING!</b> Do not operate machine unless you have read and understand this manual.</p>
--	--

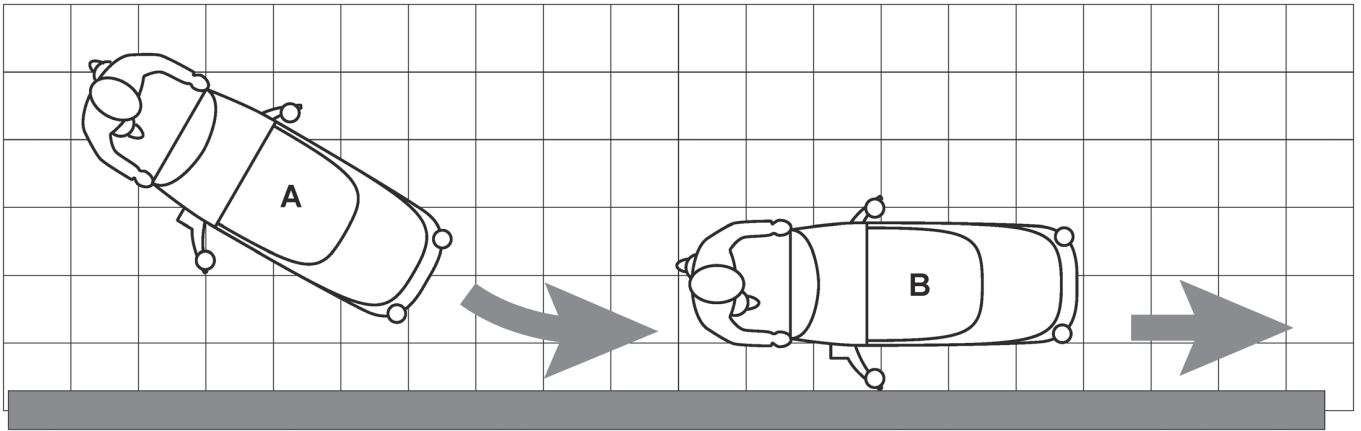
- Set control housing to a comfortable operating height by squeezing together the two thumb levers (16) directly underneath the housing.
- Lower squeegee assembly to the floor by releasing the lift lever (19) from its locked position.
- Lower brush head assembly to the floor by turn brush pressure switch(7)to ON position.
- Turn main power switch (1) to “ON” position.
- Turn brush motor switch (4) to “ON” position.
- Turn vacuum motor switch (2) to “ON” position.
- Turn the solution switch (6) to “ON” position.
  - a. Solution will not begin to flow until the operating triggers are pulled.
- The Fang 20HD-EU is self-propelled. The speed can be controlled by a knob (9) located on the right side of the control housing.
- The Fang 20HD-EU has reverse. In order to activate reverse,there is a toggle switch (18) located on the left side of the control housing.
- To begin scrubbing, pull on one or both of the red operating triggers (21). When these triggers are pulled, the brush will begin to spin and the solution will begin to flow.FANG20HD-EU:will propel itself.FANG20HD-EU:Begin scrubbing by moving the machine forward.

	<p><b>WARNING!</b> Do not keep the machine in the same position with the pad / brush spinning, or you could cause damage to the floor.</p>
--	--

- Adjust amount of solution flow by turning the solution control knob (8). Turn to the right for more solution, or turn left for less solution.

**NOTE**

For correct scrubbing/drying of floors at the sides of the walls, Viper suggests to go near the walls with the right side of the machine as shown.

**CAUTION!**

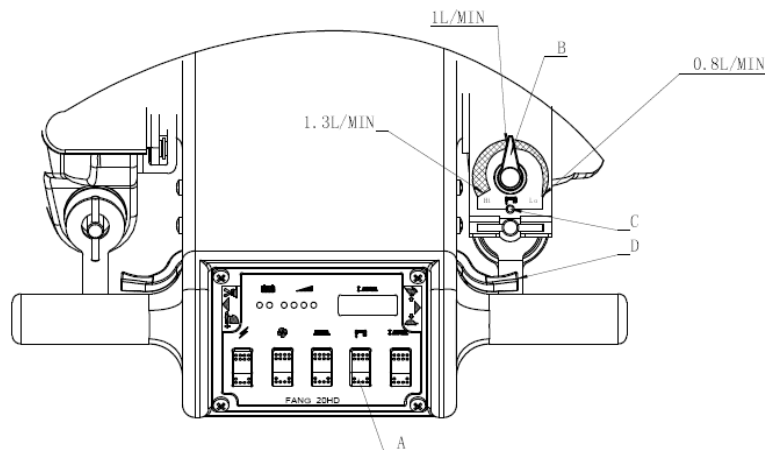
To avoid any damage to the floor surface, turn off the brush/pad-holder when the machine stops in one place, especially when the extra pressure function is on.

**SOLUTION FLOW ADJUSTMENT**

- Turn the solution switch (A) to “ON” position.
- Adjust amount of solution flow by turning the solution control knob (B), turn left (counter-clockwise) for more solution, or Turn right (clockwise) for less solution. The pin (C) is limit position of the solution control knob (B).

**NOTE**

Even if turn on the solution switch (A), the solution will not begin to flow until the operating triggers (D) are pulled.

**BATTERY DISCHARGE DURING OPERATION**

Until the green warning light (3) stays on, the batteries allow the machine to work normally.

When the green warning light (3) turns off, and the yellow warning light (3) turns on, it is advisable to charge the batteries, because the residual autonomy will last for a few minutes (depending on battery characteristics and work to be performed).

When the red warning light (3) turns on, the autonomy is over. After a few seconds, the brush/pad-holder is automatically tuned off, while the vacuum system and the drive system stay on, to finish drying the floor and drive the machine to the appointed recharging area.

**CAUTION!**

Do not use the machine with discharged batteries, to avoid damaging the batteries and reducing the battery life.

**WHILE OPERATING MACHINE**

- Occasionally look through the clear recovery tank lid to see if there is any foam build-up. If excessive foam is found, add defoamer to the recovery tank.

**WARNING!**

Foam must not enter the float shut-off screen, or damage can occur to the vacuum motor. Foam will not activate the machines float shut-off device.

- Occasionally view the clear tube at the back left of the machine to check the amount of cleaning solution that is left in the machine.
- Occasionally check the battery level meter (3). When meter is in the red, recharge the batteries.

**WARNING!**

When battery meter is in the red, do not continue to operate the machine. Battery damage may result.

- If the squeegee assembly leaves streaks on the floor, raise the squeegee off the floor and wipe the blades down with a damp cloth.

**WARNING!**

Do not use your fingers to wipe or remove debris from the blades, as injury may occur.

- When the solution tank runs empty, turn off the brush switch, solution switch and raise the brush head. Keep the squeegee down and continue to vacuum until all the dirty water is picked up. (see TANK DRAINING section to learn how to drain recovery and solution tanks)

**NOTE**

The brush motor is circuit breaker protected to protect it from damage. If this breaker trips, it can't be reset immediately.

You must first determine what caused the circuit breaker to trip, and allow the motor to cool down before you can reset the circuit breaker.

**TANK DRAINING**

- Turn the power off on the machine.
- With the squeegee and brush head in their "up" position, transport machine to approved area for draining tank(s).

**DRAINING THE RECOVERY (DIRTY) TANK****NOTE**

Any time scrubbing is completed, or when refilling solution tank, the recovery tank should be drained and cleaned.

**WARNING!**

If the recovery tank is not drained when the solution tank has been refilled, foam or water may enter the float shut-off mechanism and cause damage to the vacuum motor.

- Remove the drain hose from the holder, and place the drain hose over the floor drain. Twist off the drain hose plug to begin the draining process. In order to completely empty the recovery tank, hinge opens the recovery tank and let it rest on the support stand.
- Clean the recovery tank after every use. Use a fresh water hose to rinse out the recovery tank. Be careful not to spray water into the float shut-off mechanism.

**NOTE**

If you are storing the machine for any period of time, always leave the clear recovery tank lid off the tank so the tank can dry completely and smell fresh.

- Replace the drain hose plug tightly as soon as you are done draining the tank.

**DRAINING THE SOLUTION (CLEAN) TANK****NOTE**

Any time scrubbing operation is completed, the solution tank should be drained and cleaned.

- Pull down on the clear tube (back left of the machine) to remove it from the hose barb. This will allow the solution to flow freely into a bucket or floor drain.
- Rinse the solution tank with clean water after every use. This will help prevent chemical buildup and clogging of the solution lines.
- With clean water in solution tank, turn machine power on, solution switch “on” and pull the operating triggers. This will allow the clean water to flush through and clean the solution plumbing.
- Once tank is rinsed, flushed and drained, reconnect the clear tube to the hose barb. Be sure the tube is pushed all the way up on the hose barb.

**BATTERY CHARGING****NOTE**

For the best machine performance, keep batteries charged at all times. Do not let them sit in a discharged condition.

**NOTE**

If the machine has an optional battery charger installed, the machine cannot operate if the charger is not on board. In case of battery charger malfunction, contact an authorised Service Center.

**CAUTION!**

Use only approved chargers with the following specifications:

- Automatic shut off circuit
- Deep cycle charging
- Output current of 10-20 Amps
- Output voltage of 24 Volts

**CAUTION!**

Batteries are dangerous! Batteries emit hydrogen gas and an explosion or fire can result. Keep sparks and fire away from batteries at all times. When charging the machine, make sure the battery compartment is left open.



- Place charge and machine in a well ventilated area.
- Turn machine off.
- Open recovery tank up, exposing battery compartment .
- Check fluid level in each battery cell. Do not charge batteries unless fluid is slightly covering the battery plates. Do not

overfill the batteries. Overfilling may cause the batteries to overflow during charging due to expansion. Replace the caps prior to charging.

- Plug approved charger into grounded wall outlet before plugging the charger into the machine.
- Plug charger into red charger receptacle located in the front left of the battery compartment.
- Flip up the recovery tank “Kick stand” and gently lay the recovery tank down until it rests on the stand.
- The battery charger will automatically begin to charge the batteries, and it will automatically shut down once the batteries are fully charged.
- Upon completion of charging, first unplug the charger from the wall outlet, and then disconnect the charger from the machine.
- Check the battery level after charging is complete. If fluid level is low, add distilled water to bring the fluid level up to the bottom of the sight tubes. Replace the caps and wipe the batteries down with a towel.

## MAINTENANCE

To keep the machine performing well for many years, please follow the following maintenance procedures.



### CAUTION!

Always confirm that the machine is switched off and the battery cable is disconnected prior to performing any maintenance or repairs

## DAILY MAINTENANCE

- Remove pad driver / brush and clean with approved cleaner.
- Drain recovery and solution tanks completely and rinse out with clean water. Visually check the recovery tank for debris and clean out as necessary.
- Raise squeegee assembly off floor and wipe it down with a damp towel. Be sure to store the squeegee in the up position.
- Remove the float shut-off assembly and rinse it out with clean water.
- Clean machine with an approved cleaner and a damp towel. Don't spray water to clean the outside of machine to avoid damage to motor and wiring.
- Recharge batteries.



## WEEKLY MAINTENANCE

- Check fluid level in batteries.
- Check batteries for loose or corroded cables.
- Keep battery tops clean from corrosion.

## MONTHLY MAINTENANCE

- Check machine for leaks and loose fasteners.
- Lubricate all grease points and pivot points with silicon spray and approved grease.
- Place machine over a floor drain. Flush solution system by pouring 10 liters of hot water and approved alkaline detergent into the solution tank and running machine (with solution control on) for 45 seconds. Turn machine off and let it sit overnight. Then next day, drain the remaining solution and rinse the solution tank out with clean water.

## VACUUM SYSTEM MOTOR FILTER CLEANING

- Drive the machine on a level floor.
- Turn the ignition key (32) to “OFF”.
- Open the recovery water tank.
- If necessary, drain the water from the tank in order to make the filter visible.
- Check that the pre-filter is clean. If necessary clean it with water and compressed air, then install it.
- Perform steps 1, 2 and 3 in the reverse order.



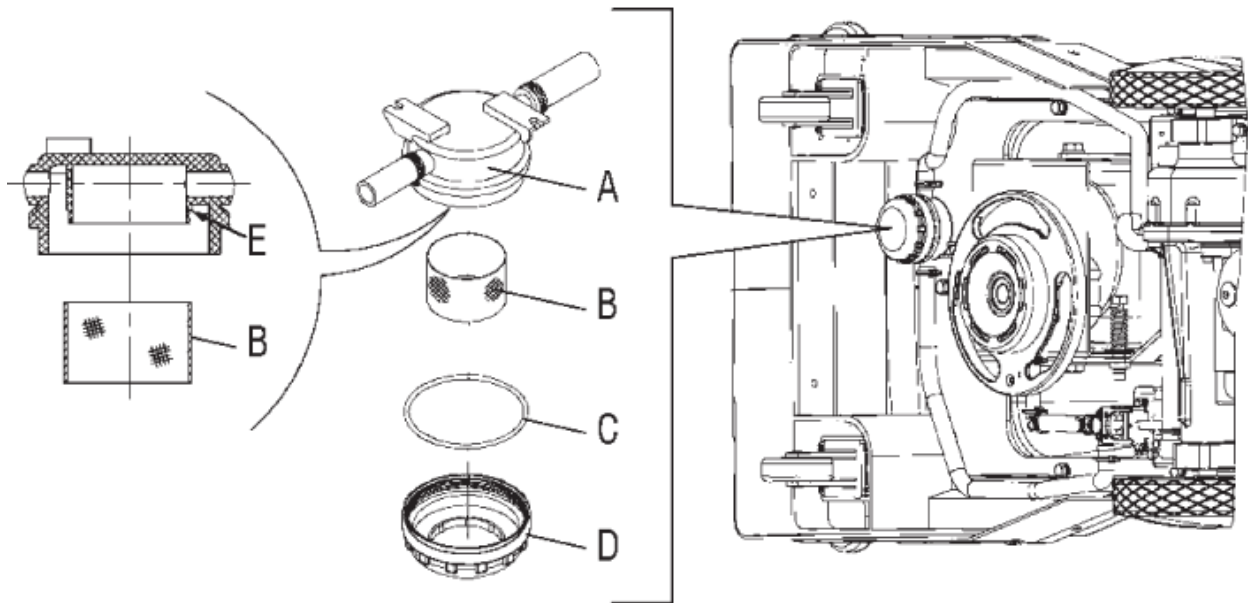
## SOLUTION/CLEAN WATER FILTER CLEANING

- Drive the machine on a level floor.
- Turn the ignition key (32) to “OFF”.
- Remove the transparent cover (D) (the water filter position is under the machine), then remove the filter strainer (B). Clean and install them on the support (A).



### NOTE

The filter strainer (B) must be correctly positioned on the housing (E) of the support (A).

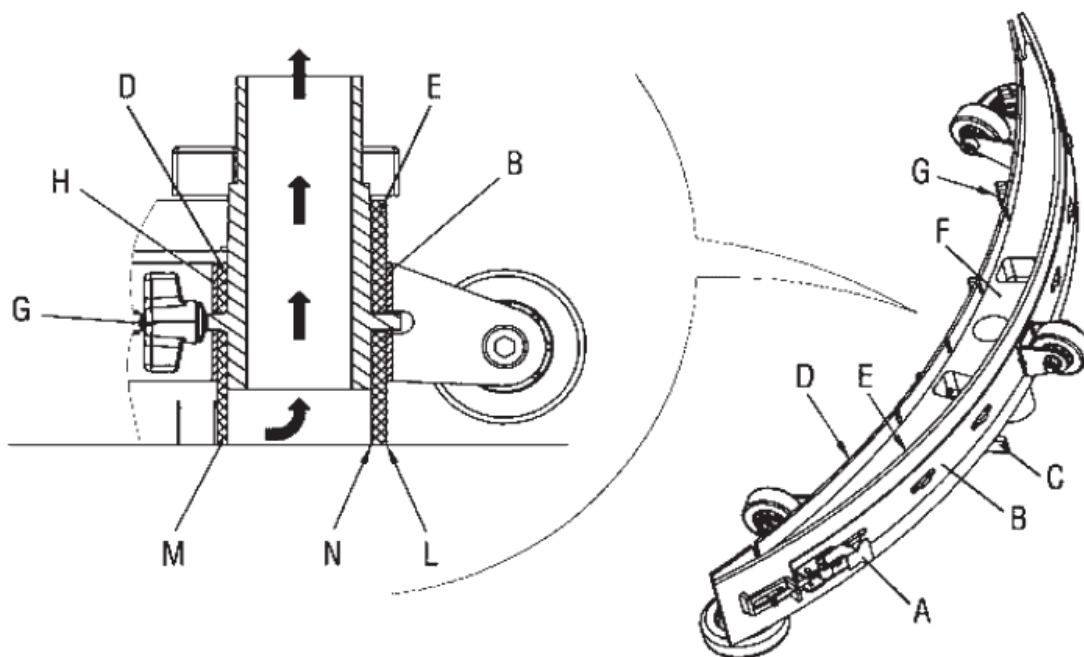


## SQUEEGEE BLADE CHECK AND REPLACEMENT

- Clean the squeegee as shown in the previous paragraph.
- Check that the edge (M) of the front blade (D) and the edge (L) of the rear blade (E) lay down on the same level, along their length; otherwise adjust their height according to the following procedure:
  - Disengage the retainers (A) to adjust the rear blade (E); then engage the retainers.
  - Loosen the handwheels (G) and adjust the front blade (D); then tighten the handwheels.
- Check the front blade (D) and rear blade (E) for integrity, cuts and tears; if necessary replace them as shown below. Check that the front corner (N) of the rear blade is not worn; otherwise, overturn the blade to replace the worn corner with an integral one. If the other corners are worn too, replace the blade according to the following procedure:
  - Disengage the retainers (A) and remove the retaining strip (B), then replace/overturn the rear blade (E). Install the blade in the reverse order of removal.
  - Unscrew the handwheels (G) and remove the retaining strip (H), then replace the front blade (D). Install the blade in the reverse order of removal.

After the blade replacement (or overturning), adjust the height as shown in the previous step.

- Connect the vacuum hose (33) to the squeegee.
- Install the squeegee (13) and screw down the handwheels (34).



**BRUSH/PAD CLEANING**



**CAUTION!**

Risk of cuts.

It is advisable to wear protective gloves when cleaning the brush/pad because there may be sharp debris.

- Remove the brush/pad from the machine, as shown in Use chapter.
- Clean and wash the brush/pad with water and detergent.
- Check that the brush/pad is integral and not excessively worn; otherwise replace it.

**TROUBLESHOOTING**

PROBLEM	CAUSE	SOLUTION
No power	Bad batteries	Replace batteries
	Batteries need to be charged	Charge batteries (see Battery Charging)
	Loose battery cable	Tighten loose cable(s)
	Batteries not connected properly	Follow battery installation instructions
Brush motor does not run	Bad brush switch	Contact Viper Distributor
	Brush circuit breaker has tripped	Check brush motor for obstructions and reset breaker
	Rectifier has burned out	Contact Viper Distributor
	Bad wiring	Contact Viper Distributor
	Bad brush motor	Contact Viper Distributor
	Carbon brushes worn out	Contact Viper Distributor
Vacuum motor does not run	Bad vacuum switch	Contact Viper Distributor
	Bad wiring	Contact Viper Distributor
	Bad vacuum motor	Contact Viper Distributor
	Carbon brushes worn out	Contact Viper Distributor
Short run time	Batteries need to be charged	Charge batteries (see Battery Charging)
	Batteries need maintenance	See Battery Maintenance in this manual
	Bad cell in battery(s)	Replace batteries
	Bad charger	Replace charger
Little or no solution	Bad solution switch	Contact Viper Distributor

PROBLEM	CAUSE	SOLUTION
flow	Clogged solution solenoid	Contact Viper Distributor
	Clogged solution filter	Remove filter and clean
	Solution line obstructed	Remove solution line and clean
	Solution flow adjustment knob in need of adjustment	Increase flow by twisting solution adjustment knob to the right. Decrease flow by twisting solution adjustment knob
Poor water pick up	Squeegee clogged	Clean debris off squeegee with damp towel
	Squeegee blades worn	Install new squeegee blades
	Squeegee not mounted correctly	Confirm that the squeegee assembly is securely fastened to the machine and not loose fitting.
	Vacuum hoses have a hole or are loose	Check hose connections and make sure they are firm. Replace hose if damaged.
	Vacuum hose may be clogged	Check hose for debris and remove any clog.
	Drain hose stopper is loose	Tighten drain plug.
	Batteries need to be charged	Charge batteries (see Battery Charging)
	Vacuum motor is loose	Tighten vac motor mounting screws. Do not over tighten or damage will occur.
	Recovery tank lid is loose	Confirm the clear recovery tank lid is securely in place.
	Recovery tank inlet hole is clogged	Drain recovery tank and tilt tank on side. Check the inlet hole for debris and remove debris.
	Recovery tank is full	Drain recovery tank.
	Float shut off is clogged	Remove float shut off from inside recovery tank and remove any debris.

## STORAGE



### CAUTION!

If you are storing the machine in an area which can freeze, be sure both tanks and the solution plumbing are empty of all water and dry!

- Store the appliance in a dry place, protected from frost.
- The machine storage temperature must be between 0°C and +40°C.
- Always store the machine indoors.
- Always take off the pad driver / brush
- Always store the machine with the squeegee assembly raised off the floor.
- If storing in an area which may reach freezing temperatures, be sure to drain all fluids from the machine prior to storage. Any damage caused by freezing temperatures will not be covered by the warranty.
- Drain the recovery tank and remove the clear on the top of the recovery tank so that it can “breathe” during storage.
- Drain the solution tank of all fluid.

## RECYCLING THE CLEANER

Make the old cleaner unusable immediately:

- Remove batteries
- Do not discard of electrical appliances with household waste.



As specified in European Directive 2002/96/EC on old electrical and electronic appliances, used electrical goods must be collected separately and recycled ecologically. Contact your local authorities or your nearest dealer for further information.

**INHALTSVERZEICHNIS**

EINLEITUNG.....	28
ZWECK UND INHALT DES HANDBUCHS.....	28
ZIEL.....	28
WIE DIESES HANDBUCH AUFBEWAHRT WIRD.....	28
KONFORMITÄTSEKTLÄRUNG.....	28
KENNZEICHNUNGSDATEN.....	28
ANDERE REFERENZ-HANDBÜCHER.....	28
ERSATZTEILE UND WARTUNG.....	28
ÄNDERUNGEN UND VERBESSERUNGEN.....	29
VORGESEHENER VERWENDUNGSZWECK.....	29
KONVENTIONEN.....	29
ENTPACKEN/LIEFERUNG.....	29
SICHERHEIT.....	29
SYMBOLE ZUR KENNZEICHNUNG VON ANWEISUNGEN.....	30
ALLGEMEINE ANLEITUNG.....	30
MASCHINENBESCHREIBUNG.....	34
MASCHINENAUFBAU.....	34
ZUBEHÖR/OPTIONEN.....	35
SCHALTPLAN (FANG20HD-EU).....	37
BETRIEB.....	38
VOR DEM STARTEN DER MASCHINE.....	38
WÄHEND DES MASCHINENBETRIEBS.....	42
WARTUNG.....	44
TÄGLICHE INSTANDHALTUNG.....	44
WÖCHENTLICHE INSTANDHALTUNG.....	45
MONATLICHE INSTANDHALTUNG.....	45
REINIGUNG DES MOTORFILTERS DES VAKUUMSYSTEMS.....	45
LÖSUNGS-/FRISCHWASSER-FILTERREINIGUNG.....	45
ÜBERPRÜFUNG UND AUSTAUSCH DES GUMMIABZIEHERWISCHERS.....	46
BÜRSTEN-/PAD-REINIGUNG.....	47
PROBLEMBEHEBUNG.....	47
LAGERUNG.....	48
RECYCLING DER REINIGUNGSMASCHINE.....	48

## EINLEITUNG



### HINWEIS

Die Zahlen in Klammern beziehen sich auf die Komponenten im Kapitel Maschinenbeschreibung.

## ZWECK UND INHALT DES HANDBUCHS

Dieses Handbuch möchte dem Bediener alle nötigen Informationen zum ordnungsgemäßen, sicheren und autonomen Gebrauch der Maschine bieten. Es enthält Informationen zu technischen Daten, Sicherheit, Betrieb, Lagerung, Wartung, Ersatzteilen und Entsorgung. Bevor die Maschine eingesetzt wird, müssen Bediener und qualifizierte Techniker dieses Handbuch sorgfältig durchlesen. Wenden Sie sich in Zweifelsfragen bezüglich der Interpretation der Anleitung oder weiterführenden Informationen an Viper.

## ZIEL

Dieses Handbuch ist für Bediener vorgesehen sowie für Techniker, die Wartungsarbeiten an der Maschine durchführen dürfen.

Bediener dürfen Verfahren, die qualifizierten Technikern vorbehalten sind, nicht ausführen. Viper übernimmt für Schäden aufgrund der Nichtbeachtung dieses Verbots keine Verantwortung.

## WIE DIESES HANDBUCH AUFBEWAHRT WIRD

Diese Betriebsanleitung muss in einem angemessenen Behälter, geschützt vor Flüssigkeiten und anderen Substanzen, die sie beschädigen könnten, in der Nähe der Maschine aufbewahrt werden.

## KONFORMITÄTSERKLÄRUNG

Die dieser Maschine beigelegte Konformitätserklärung bestätigt die Konformität der Maschine mit den geltenden Gesetzen.



### HINWEIS

Zwei Kopien der Original-Konformitätserklärung sind den Maschinenunterlagen beigelegt.

Die CE-Erklärung ist in der Kurzanleitung enthalten.

## KENNZEICHNUNGSDATEN

Modell- und Seriennummer der Maschine befinden sich auf dem Typenschild.

Diese Informationen sind für die Ersatzteilbestellung nützlich. Verwenden Sie die folgende Tabelle, um die Kennzeichnungsdaten der Maschine festzuhalten.

MASCHINEN-Modell .....

MASCHINEN-Seriennummer .....

## ANDERE REFERENZ-HANDBÜCHER

- Wartungshandbuch (kann vom Viper-Kundencenter bezogen werden)
- Ersatzteilliste (siehe [www.vipercleaning.eu](http://www.vipercleaning.eu))

## ERSATZTEILE UND WARTUNG

Alle notwendigen Betriebs-, Wartungs- und Reparaturverfahren müssen von qualifiziertem Personal oder dem Viper-Kundencenter durchgeführt werden. Nur Original-Ersatzteile und -Zubehör dürfen verwendet werden. Wenden Sie sich für die Wartung oder Ersatzteil- sowie Zubehöbestellung an Viper und geben Sie die Modell- und Seriennummer der Maschine an.



## ÄNDERUNGEN UND VERBESSERUNGEN

Viper verbessert seine Produkte kontinuierlich und behält sich das Recht vor, nach eigenem Ermessen Änderungen und Verbesserungen vorzunehmen, ohne dazu verpflichtet zu sein, diese Vorteile an früher verkaufte Maschinen anzubringen.

Jede Änderung und/oder Beifügung von Zubehör muss von Viper zugelassen und durchgeführt werden.

## VORGESEHENER VERWENDUNGSZWECK

Alle automatischen Reinigungsmaschinen sind ausschließlich für die Feuchtreinigung wasserresistenter Bodenbeläge in Gebäude-Innenbereichen bestimmt. Automatische Reinigungsmaschinen können für verlegte Teppiche und zur Teppichreinigung nicht verwendet werden.

Dieses Gerät ist für den kommerziellen Gebrauch geeignet, zum Beispiel in Hotels, Schulen, Krankenhäusern, Fabriken, Geschäften, Büros und Vermietungsunternehmen.

Eine andere Verwendung wird als unsachgemäße Verwendung angesehen. Der Hersteller übernimmt für jeglichen Schaden aus solch einer Verwendung keinerlei Haftung. Die Risiken aus einer solchen Verwendung liegen ausschließlich beim Benutzer.

Die ordnungsgemäße Verwendung schließt ebenfalls die sachgemäße Bedienung, Wartung, Reparatur ein, wie sie vom Hersteller spezifiziert wird.

Vom Benutzer selbst durchgeführte Änderungen an der automatischen Maschine schließen die Haftung des Herstellers für daraus resultierende Schäden aus.

Bödenbelege müssen vor Gebrauch der Maschine auf Angemessenheit für diese Reinigungsmethode überprüft werden.

Beachten sie die Flächenpressung im Fall von punktelastischen Böden wie z. B. in Sporthallen!

Der Hersteller übernimmt keine Verantwortung für Schäden an der Maschine oder an zu reinigenden Bodenbelägen, die aus der falschen Verwendung von Bürsten und Reinigungsmitteln entstehen.

## KONVENTIONEN

Vorwärts, rückwärts, vor, hinter, links, rechts und nach oben beziehen sich auf die Position des Bedieners, d. h. die Arbeitsposition.

## ENTPACKEN/LIEFERUNG

Folgen Sie zum Entpacken der Maschine genau der Anleitung auf der Verpackung.

Überprüfen Sie bei Lieferung der Maschine, ob Verpackung sowie Maschine während des Transports nicht beschädigt wurden. Bewahren Sie die Verpackung im Falle sichtbarer Schäden auf, damit sie vom Lieferanten überprüft werden kann. Rufen Sie den Lieferanten sofort an, um Schadensansprüche anzumelden.

Überprüfen Sie den Packungsinhalt, um sicherzustellen, dass folgende Teile vorhanden sind:

- Maschine
- Gummischieber-Baugruppe
- Bürstenantrieb (und Padtriebteiler)

## SICHERHEIT

Folgende Symbole weisen auf potenziell gefährliche Situationen hin. Diese Informationen immer sorgfältig durchlesen und alle notwendigen Sicherheitsvorkehrungen zum Schutz von Personen und Eigentum treffen.





Die Kooperation des Bedieners ist für die Vermeidung von Verletzungen unerlässlich. Kein Unfallvermeidungsprogramm kann ohne die vollkommene Kooperation der für den Maschinenbetrieb verantwortlichen Person wirken.

Die meisten Unfälle in Fabriken, die während des Arbeitens und Umhergehens entstehen, werden durch das Nicht-Beachten der

einfachsten Regeln bezüglich der Rücksichtnahme verursacht.

Ein vorsichtiger und rücksichtsvoller Bediener stellt die beste Garantie gegen Unfälle dar und ist für ein erfolgreiches Präventionsprogramm unerlässlich.

## SYMBOLS ZUR KENNZEICHNUNG VON ANWEISUNGEN

	<p><b>GEFAHR!</b> Eine Gefahr, die unmittelbar zu ernsten und irreversiblen Verletzungen oder sogar zum Tod führen kann.</p>
	<p><b>WARNUNG!</b> Eine Gefahr, die zu ernsten Verletzungen oder sogar zum Tod führen kann.</p>
	<p><b>VORSICHT!</b> Eine Gefahr, die zu minderschweren Verletzungen und Schäden führen kann.</p>
	<p><b>HINWEIS</b> Hinweis auf eine Anmerkung im Zusammenhang mit wichtigen und nützlichen Funktionen.</p>

## ALLGEMEINE ANLEITUNG

Spezifische Warnungen und Vorsichtsmaßnahmen, die über potenzielle Gefährdungen von Personen und der Maschine informieren, werden untenstehend angeführt.

Die Maschine darf

- nur von Personen verwendet werden, die über den korrekten Gebrauch instruiert und ausdrücklich mit dem Betrieb beauftragt wurden
- nur unter Aufsicht betrieben werden
- nicht von Kindern verwendet werden.

Der Arbeitsplatz befindet sich hinter der Reinigungsmaschine.

Unsichere Arbeitstechniken dürfen nicht angewandt werden.

Führen Sie die Reinigungsmaschine immer mit beiden Händen am Griff.

Steht die Reinigungsmaschine, die Bürsteneinheit sofort ausschalten, um Schäden am Bodenbelag zu vermeiden.

In folgenden Situationen wird die Maschine ausgeschaltet und der Batteriestecker gezogen:

- vor der Reinigung und Wartung
- vor dem Austausch von Komponenten
- bevor an der Maschine Veränderungen vorgenommen werden

Die Verwendung der Reinigungsmaschine unterliegt den aktuellen nationalen Bestimmungen. Neben den Betriebshinweisen und verbindlichen, im Einsatzland geltenden Bestimmungen zur Unfallverhütung müssen die anerkannten Regeln in Sachen Sicherheit und fachgerechtem Arbeiten beachtet werden.

## TRANSPORT

Wird die Reinigungsmaschine in Aufzügen transportiert, müssen aktuelle Sicherheitsbestimmungen, insbesondere im Hinblick auf die Lastenkapazität, beachtet werden.

## BETRIEB

Um den unbefugten Gebrauch der Maschine zu verhindern, muss die Stromversorgung ausgeschaltet oder gesperrt werden, indem beispielsweise der Schlüssel des Netzschalters abgezogen wird.

Treffen Sie alle notwendigen Vorsichtsmaßnahmen, damit sich Haare, Schmuck oder lose Kleidung nicht in den beweglichen Maschinenteilen verfangen.

Schließen Sie vor dem Gebrauch der Maschine alle Türen und/oder Abdeckungen.

Die Betriebstemperatur der Maschine muss zwischen 0 °C und +40 °C liegen.

Die Luftfeuchtigkeit muss zwischen 30 % und 95 % liegen.

Die Maschine darf nicht als Transportmittel verwendet werden.

Verwenden Sie im Brandfall einen Pulver- und keinen Wasser-Feuerlöscher.

Manipulieren Sie nicht die Schutzvorkehrungen der Maschine und beachten Sie gewissenhaft die einfache Wartungsanleitung.

Kein Gegenstand darf durch die Öffnungen dringen. Bei verstopften Öffnungen darf die Maschine nicht verwendet werden. Halten Sie die Öffnungen immer frei von Staub, Haaren und anderen, den Luftstrom reduzierenden Fremdkörpern.

Die auf der Maschine angebrachten Schilder dürfen nicht entfernt oder modifiziert werden.

Wenn die Maschine in Übereinstimmung mit der Anleitung verwendet wird, geht von den Vibrationen keine Gefahr aus. Das Vibrationsniveau der Maschine liegt unter 2,5 ms<sup>2</sup> (98/37/EEC-EN 1033/1995).

Die Hand-/Armvibrationsniveaus liegen deutlich unter 2,5 m/s<sup>2</sup> (gemessen nach ISO 5349), dem Grenzwert für einen kontinuierlichen Arbeitszeitraum von 8 Stunden.

Die Maschine darf auf Verkehrswegen und öffentlichen Straßen nicht verwendet werden.

Viper-Maschinen können zusammen mit Standard-Reinigungsmitteln, die keine Viper-Maschinenteile beschädigen (keine Lösungsmittel oder andere aggressive Flüssigkeiten), verwendet werden. Viper wird für keine Schadenfälle im Hinblick auf die Verwendung aggressiver Reinigungsmittel in Viper-Maschinen aufkommen. Wenn Sie ein spezielles Reinigungsmittel benötigen, wenden Sie sich bitte an Ihren Viper-Händler.

Passen Sie beim Transport der Maschine auf, wenn die Temperatur unter dem Gefrierpunkt liegt. Das Wasser im Tank oder in den Schläuchen könnte gefrieren und die Maschine ernsthaft beschädigen.

## WARTUNG

Um den ordnungsgemäßen und sicheren Betrieb der Maschine zu gewährleisten, muss die regelmäßige Wartung, wie im jeweiligen Kapitel dieses Handbuchs gezeigt, von autorisiertem Personal oder vom Viper-Kundencenter durchgeführt werden.

Vor der Durchführung von Wartungs- oder Reparaturarbeiten müssen alle Anweisungen sorgfältig durchgelesen werden.

Arbeiten Sie nicht unter der aufgebockten Maschine ohne die Anbringung von Sicherheitsständern.

Die Maschine darf nicht direkt bzw. unter Verwendung von Hochdruck-Wasserdüsen oder mit korrosiven Substanzen gereinigt werden.

## GARANTIE


Bezüglich der Garantie gelten die allgemeinen Geschäftsbedingungen.


Nicht genehmigte Modifizierungen der Maschine, die Verwendung falscher Bürsten und Reinigungsmittel sowie die Verwendung der Maschine für einen anderen als den vorgesehenen Verwendungszweck entbindet den Hersteller von jeglicher Haftung für daraus resultierende Schäden.

## PRÜFUNGEN UND ZULASSUNGEN


Elektrische Prüfungen müssen in Übereinstimmung mit den Bestimmungen der Sicherheitsvorschriften (BGV A3) und der DIN VDE 0701 Teil 1 und Teil 3 durchgeführt werden. In Übereinstimmung mit der DIN VDE 0702 müssen diese Prüfungen in regelmäßigen Abständen und nach Reparaturen oder Modifikationen durchgeführt werden.

## ELEKTRISCHE KOMPONENTEN


	<p><b>GEFAHR</b> Batterien. Explosionsgefahr.</p> <ul style="list-style-type: none"> <li>➤ Das Aufladen von Batterien erzeugt hochexplosiven Wasserstoff. Belassen Sie die Tankbaugruppe während des Aufladens der Batterien offen und führen Sie diesen Vorgang in gut belüfteten Bereichen und fern von offenen Flammen durch.</li> <li>➤ Lassen Sie die an die Stromversorgung angeschlossene Maschine zur Verringerung der Brand-, Stromschlag- und Verletzungsgefahr nicht unbeaufsichtigt. Trennen Sie vor jeglichen Wartungsarbeiten das Batterieladekabel von der Stromversorgung.</li> <li>➤ Nicht rauchen, während die Batterien aufgeladen werden.</li> <li>➤ Die Verwendung von nicht originalen Ersatzteilen, Zubehörteilen, Batterien und Ladegeräten kann die Sicherheit der Maschine beeinträchtigen. Verwenden Sie nur Ersatzteile und Zubehörteile von Viper sowie Batterien, die VIPER empfohlen hat. Wenn Sie nicht genehmigte und nicht empfohlene Batterien und Ladegeräte verwenden, kommt VIPER nicht für dadurch entstehende Kosten von Schäden (Gewährleistung) auf.</li> </ul>
---	---

	<p><b>VORSICHT</b> Batterieladegerät. Stromschlag durch defekte Netzanschlussleitung oder defektes Ladekabel. Das Berühren einer defekten Netzanschlussleitung oder eines defekten Ladekabels kann zu ernsten und sogar tödlichen Verletzungen führen.</p> <ul style="list-style-type: none"> <li>➤ Halten Sie die Batterie fern von Funken, Flammen und glühenden Materialien. Während des normalen Betriebs werden explosive Gase freigesetzt.</li> <li>➤ Stellen Sie vor der Verwendung des Batterieladegeräts sicher, dass die auf dem Seriennummernschild der Maschine abgebrachten Frequenz- und Spannungswerte der elektrischen Netzspannung entsprechen.</li> <li>➤ Beschädigen Sie nicht die Netzstromleitung (z. B. durch Überfahren, Zerren oder Quetschen).</li> <li>➤ Überprüfen Sie in regelmäßigen Abständen, ob die Stromleitung beschädigt ist oder Anzeichen von Verschleiß aufweist.</li> <li>➤ Lassen Sie die defekte Netzanschlussleitung von Ihrem Viper-Kundendienstrepräsentanten oder einem qualifizierten Elektriker vor der nächsten Verwendung der Maschine austauschen.</li> <li>➤ Die Maschine darf nicht am Batterieladekabel gezogen oder getragen werden und das Batterieladekabel darf keinesfalls als Griff genutzt werden. Schließen Sie eine Tür nicht über dem Batterieladekabel und ziehen Sie das Batterieladekabel nicht um scharfe Kanten oder Ecken.</li> <li>➤ Halten Sie das Batterieladekabel fern von heißen Oberflächen.</li> <li>➤ Die Batterien dürfen bei beschädigtem Batterieladekabel oder Stecker nicht aufgeladen werden. Funktioniert die Maschine nicht ordnungsgemäß, wurde sie beschädigt, im Freien stehen gelassen oder in Wasser fallen gelassen, muss sie zum Kundendienstcenter überstellt werden.</li> </ul>
--	--


## TREPPEN UND STEIGUNGEN

	<p><b>VORSICHT</b> Kipp- und Rutschgefahr auf Treppen und Steigungen. Wenn Treppen und Steigungen behandelt werden, besteht die Gefahr von Personen- und Sachschäden.</p> <ul style="list-style-type: none"> <li>➤ Behandeln Sie keine Treppen.</li> <li>➤ Verwenden Sie die Maschine nur auf ebenen Flächen mit einer maximalen Steigung von 2 %.</li> </ul>
---	---


## BODENBELÄGE

	<p><b>VORSICHT</b> Schäden an empfindlichen Bodenbelägen. Besonders empfindliche Bodenbeläge können durch die Reinigung beschädigt werden.</p> <ul style="list-style-type: none"> <li>➤ Bevor Sie die Reinigungsmaschine verwenden, überprüfen Sie bitte, ob sich die Bodenbeläge für dieses Reinigungstechnik eignen.</li> <li>➤ Beachten Sie die Flächenpressung auf punktelastischen Böden, z. B. in Sporthallen!</li> <li>➤ Verwenden Sie nur von Viper zugelassene Reinigungsmittel.</li> </ul>
---	--


**GESUNDHEITSSCHÄDLICHE STOFFE**

	<p><b>WARNUNG</b> Gesundheitsschädliche Stoffe in Bodenbelägen. Bodenbeläge können gesundheitsschädliche Stoffe enthalten, die während der Reinigung herausgelöst werden.</p> <ul style="list-style-type: none"><li>➤ Reinigen Sie keine Bodenbeläge, aus denen sich gesundheitsschädliche Stäube oder Flüssigkeiten herauslösen können.</li></ul>
---	--

**EXPLOSIONSGEFAHR**

	<p><b>WARNUNG</b> Brennbare und explosive Stoffe. Explosionsgefahr in explosionsfähiger Atmosphäre oder Bereichen, in denen brennbare und explosive Stoffe gelagert werden.</p> <ul style="list-style-type: none"><li>➤ Betreiben Sie die Maschine nicht in der Nähe von gefährlichen, brennbaren und/oder explosiven Pulvern, Flüssigkeiten und Dämpfen.</li></ul>
---	---

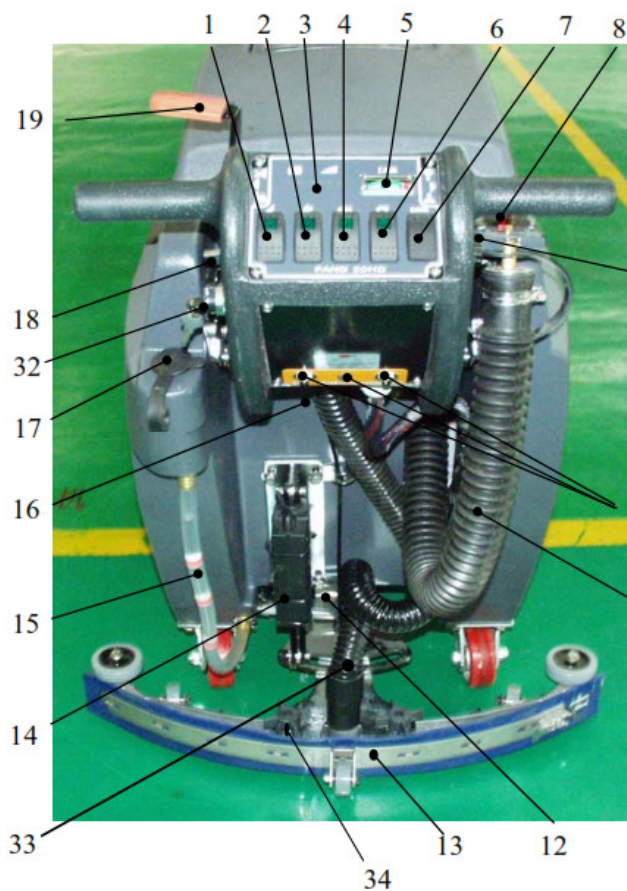
**ERSATZTEILE UND ZUBEHÖR**

	<p><b>VORSICHT</b> Nicht originale Komponenten und ungeeignete Reinigungsmittel. Die Verwendung von nicht originalen Teilen und ungeeigneten Reinigungsmitteln kann die Sicherheit der Maschine beeinträchtigen und zu Schäden führen.</p> <ul style="list-style-type: none"><li>➤ Verwenden Sie Ersatzteile und Zubehör von Viper.</li><li>➤ Verwenden Sie nur Zubehör und Reinigungsmittel, die mit der Maschine geliefert wurden und solche, die in der Betriebsanleitung ausgewiesen sind.</li></ul>
---	--



## MASCHINENBESCHREIBUNG

## MASCHINENAUFBAU



1. Netzschalter (AN/AUS)
2. Vakuum-Netzschalter (AN/AUS)
3. Batteriestatusanzeige
4. Bürsten-Netzschalter (AN/AUS)
5. Bürstendruckanzeige
6. Lösungs-Netzschalter (AN/AUS)
7. Bürstendruck-Schalter (AUF/AB)
8. Lösungs-Regelknopf
9. Geschwindigkeits-Regelknopf
10. Leistungsschalter
11. Ablaufschlauch des Schmutzwassertanks
12. Gummiabzieher-Einstellmutter und -Welle
13. Gummiabzieher-Baugruppe
14. Schrubberkopfstellglied
15. Lösungstank-Füllstandsichtrohr

16. Konsolen-Einstellhebel
17. Hintere Lösungs-Befüllleinheit
18. Rückwärtsschalter
19. Gummiabzieher-Hubhebel
20. Steuergehäuse
21. Betriebsauslöser
22. Lösungstank
23. Hintere Rollen
24. Transporträder
25. Schrubberkopf
26. Schrubberkopffrock
27. Rockgehäuseverriegelung
28. Schutzrollen
29. Vordere Lösungs-Befüllleinheit
30. Schmutzwassertank
31. Schmutzwassertankdeckel
32. Hauptschalter
33. Gummiabzieher-Vakuumschlauch
34. Gummiabzieher-Montagehandrad

Gummiabzieher-Montagehandrad

## ZUBEHÖR/OPTIONEN

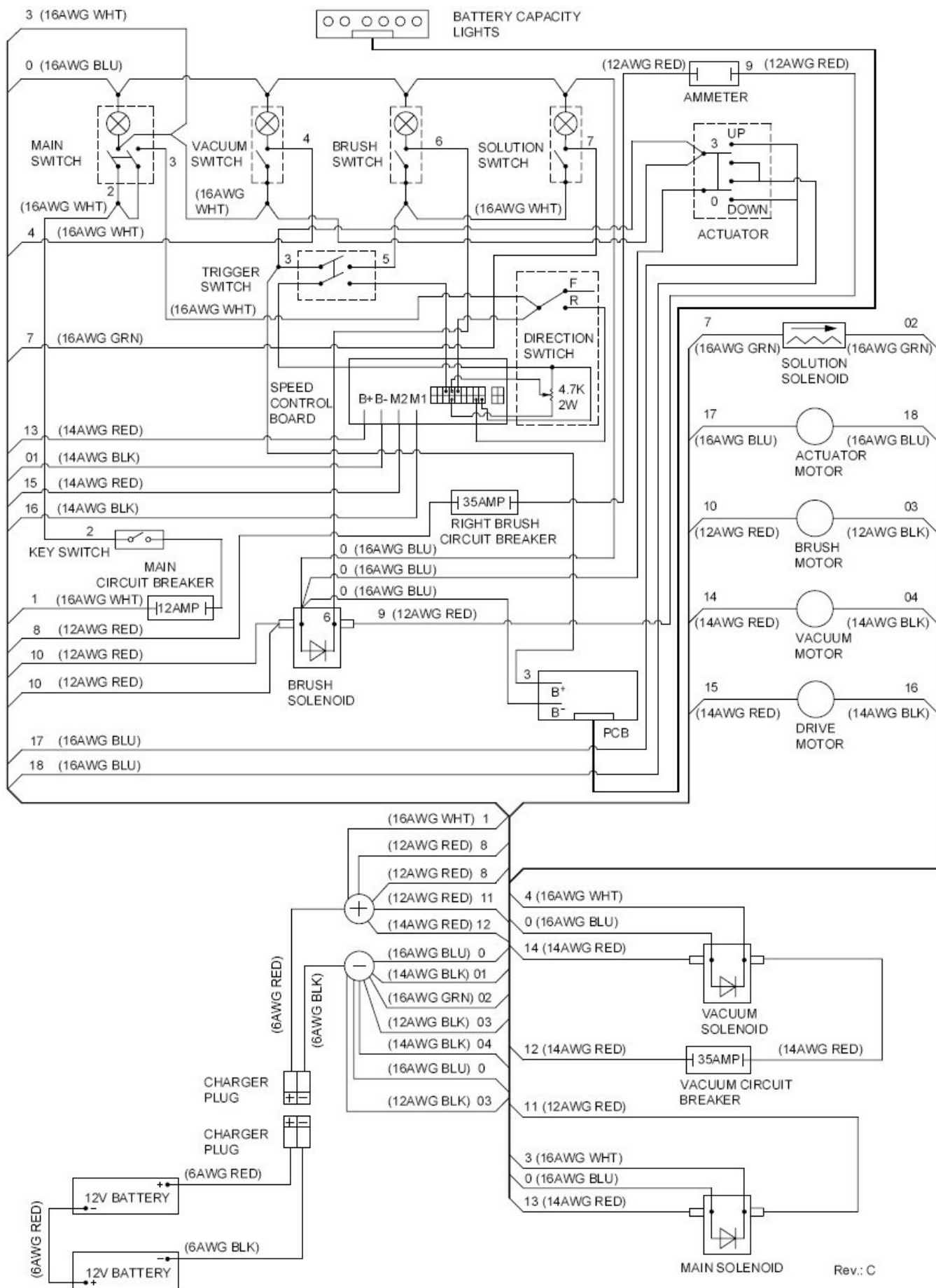
Neben den Standardkomponenten kann die Maschine mit folgenden maschinenspezifischen Zubehörteilen/Optionen ausgestattet werden:

- Bürste
- Padriebteller

Wenden Sie sich für weitere Informationen über optionales Zubehör an einen autorisierten Händler.

## TECHNISCHE DATEN

Modell		FANG 20HD-EU Bürsten-/Pad-Halter, mit Antriebssystem)
Maschinenhöhe	mm	990
Lösungs-/Wassertankkapazität	l	61
Schmutzwassertankkapazität	l	61
Vorderraddurchmesser	mm	76
Hinterraddurchmesser	mm	200
Vakuumsystem-Motorleistung	W	400
Antriebssystem-Motorleistung	W	250
Antriebsgeschwindigkeit (variabel)	km/h	0 – 4.5
Steigfähigkeit	%	2
Schalldruckpegel am Arbeitsplatz	dB(A)	69
Standardbatterien	Ah @ 20 h	2 x 12V/215AmP.hR
Vakuumsystem-Stromkreiskapazität	mm H <sub>2</sub> O	1.397
Reinigungsbreite	mm	510
Gummiabzieherbreite	mm	750
Maximallänge der Maschine	mm	1.350
Maschinenbreite ohne Gummiabzieher	mm	560
Bürstendurchmesser	mm	510
Gewicht ohne Batterien und bei leeren Tanks	kg	107
Maximalgewicht mit Batterien und vollen Tanks	kg	181
Bürstenmotorleistung	W	560
Bürstengeschwindigkeit	rpm	200
Bürsten-/Pad-Halterdruck	kg	UP TO91



## SCHALTPLAN (FANG20HD-EU)

## SCHALTPLAN (FANG20HD-EU)

Farbcodes

BLK	SCHWARZ
BLU	BLAU
GRU	GRÜN
RED	ROT
WHT	WEISS

1	BATTERY CAPACITY LIGHTS	BATTERIEKAPAZITÄTSLEUCHTEN
2	MAIN SWITCH	HAUPTSCHALTER
3	VACUUM SWITCH	VAKUUMSCHALTER
4	BRUSH SWITCH	BÜRSTENSCHALTER
5	SOLUTION SWITCH	LÖSUNGSSCHALTER
6	AMMETER	AMPEREMETER
7	ACTUATOR	STELLGLIED
8	TRIGGER SWITCH	AUSLÖSERSCHALTER
9	SPEED CONTROL BOARD	GESCHWINDIGKEITSSTEUERTAFEL
10	DIRECTION SWITCH	RICHTUNGSSCHALTER
11	RIGHT BRUSH CIRCUIT BREAKER	RECHTE BÜRSTE
12	KEY SWITCH	HAUPTSCHALTER
13	MAIN CIRCUIT BREAKER	HAUPTLEISTUNGSSCHALTER
14	BRUSH SOLENOID	BÜRSTENMAGNETVENTIL
15	PCB	PCB
16	SOLUTION SOLENOID	LÖSUNGSMAGNETVENTIL
17	ACTUATOR MOTOR	STELLGLIEDMOTOR
18	BRUSH MOTOR	BÜRSTENMOTOR
19	VACUUM MOTOR	VAKUUMMOTOR
20	DRIVE MOTOR	ANTRIEBSMOTOR
21	VACUUM SOLENOID	VAKUUMMAGNETVENTIL
22	VACUUM CIRCUIT BREAKER	VAKUUMLEISTUNGSSCHALTER
23	MAIN SOLENIOD	HAUPTMAGNETVENTIL
24	CHARGER PLUG	LADEGERÄTSTECKER
25	BATTERY	BATTERIE

**BETRIEB****VOR DEM STARTEN DER MASCHINE****WARNUNG!**

An manchen Stellen der Maschine sind einige Aufkleber angebracht, die Folgendes anzeigen:

GEFAHR  
 WARNUNG  
 VORSICHT  
 RÜCKSPRACHE

Während des Lesens dieses Handbuchs muss der Bediener den Symbolen auf diesen Aufklebern sorgfältige Beachtung schenken. Diese Aufkleber dürfen keinesfalls bedeckt werden und müssen bei Beschädigung umgehend ausgetauscht werden.

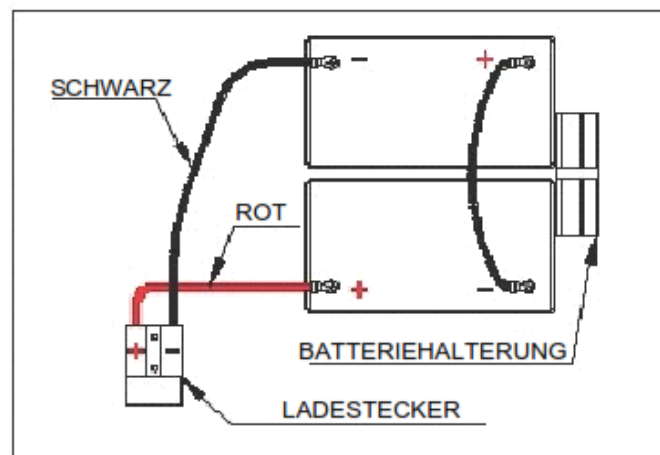
**EINSETZEN DER BATTERIE****WARNUNG!**

Die elektrischen Komponenten der Maschine können ernsthaft beschädigt werden, wenn die Batterien entweder nicht richtig eingesetzt oder nicht richtig angeschlossen werden.

Die Batterien dürfen nur von qualifizierten Personen eingesetzt werden.

- Stellen Sie die Funktionsplatine und das Batterieladegerät (optional) auf den verwendeten Batterietyp ein (NASS oder GEL).
- Überprüfen Sie die Batterien vor dem Einsetzen auf Beschädigungen.
- Trennen Sie den Batteriestecker und den Stecker des Batterieladegerätes ab.
- Behandeln Sie die Batterien mit äußerster Vorsicht.
- Installieren Sie die Schutzkappen der Batterieklemmen, die mit der Maschine geliefert wurden.

Die Maschine erfordert zwei 12-V-Batterien, die in Übereinstimmung mit dem unteren Diagramm angeschlossen werden:



Ab Werk sind für diese Maschine keine Batterien vorgesehen, doch der Kunde kann Batterien (NASS oder GEL) kaufen.

- Kaufen Sie geeignete Batterien (siehe Abschnitt Technische Daten).
- Wenden Sie sich für die Wahl und Installation von Batterien an qualifizierte Batteriehändler.
- Stellen Sie Maschine und Batterieladegerät auf den Typ der eingesetzten Batterien (NASS oder GEL), wie im folgenden Abschnitt ausgeführt, ein.

a) Wenn bereits Batterien (NASS oder GEL) eingesetzt wurden und nun betriebsbereit sind,

- überprüfen, ob die Batterien an die Maschine und den Ladestecker angeschlossen sind.
- den Zündschlüssel (32) einführen und "an"-schalten.

Wenn die grüne Warnanzeige (3) leuchtet, sind die Batterien betriebsbereit.

Leuchtet die gelbe oder rote Warnanzeige (3), müssen die Batterien aufgeladen werden (siehe Verfahren im Kapitel Wartung).



b) Wenn Batterien (NASS) in die Maschine eingesetzt wurden, jedoch kein Elektrolyt enthalten,

- die Abdeckung (31) öffnen und überprüfen, ob der Schmutzwassertank (30) leer ist; diesen ansonsten über das Ablaufschlauch (11) entleeren.
- den Tank vorsichtig anheben (30).



#### WARNUNG!

Vorsicht walten lassen, wenn Schwefelsäure verwendet wird, da diese korrosiv ist. Falls es zu Haut- oder Augenkontakt kommt, gründlich mit Wasser spülen und einen Arzt konsultieren.

Batterien müssen in einem gut belüfteten Bereich gefüllt werden. Schutzhandschuhe tragen.

- Füllen Sie die Batteriezellen mit Schwefelsäure für Batterien (Dichte 1,27 bis 1,29 kg bei 25 °C) in Übereinstimmung mit den Anweisungen im Batteriehandbuch. Die korrekte Schwefelsäuremenge ist im Batteriehandbuch angegeben.
- Trocknen Sie zur Vermeidung von Schäden am Boden sowohl Säure als auch Wasser auf den Batterien nach dem Aufladen mit einem trockenen Tuch ab.
- Die Batterien ruhen lassen und in Übereinstimmung mit den Anweisungen im Batteriehandbuch mit Schwefelsäure füllen.
- Die Batterien laden (siehe das Verfahren im Abschnitt Wartung).

### BATTERIELADEEINSTELLUNG

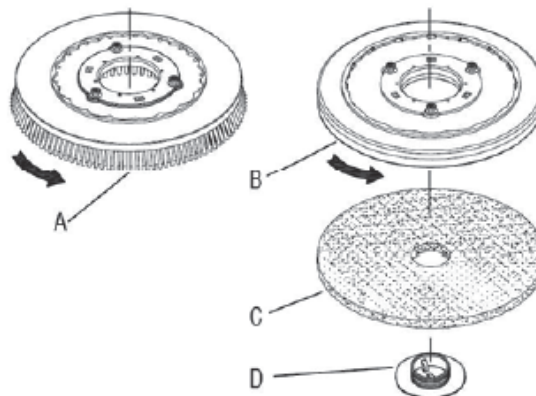
- Die ab Werk voreingestellte Ladeeinstellung ist die übliche Position AGM, Gel, SLA, VRLA.
- Wenn nötig, die Position NASS nur für Bleibatterien verwenden. Erkundigen Sie sich bei einem Händler.

### ÜBERPRÜFUNGEN VOR DEM BETRIEB

- Das Maschinenäußere abwischen.
- Vergewissern Sie sich, dass die Maschinenspannung der örtlichen Spannung entspricht.
- Vergewissern Sie sich, dass der Gummiabzieher ordnungsgemäß installiert ist.
- Vergewissern Sie sich, dass Bürste/Pad ordnungsgemäß installiert sind.

### PADTRIEBTeller ODER BÜRSTE INSTALLIEREN

- Sicherstellen, dass die Maschine ausgeschaltet ist.
- Senken Sie die Bürstenkopfbaugruppe auf den Boden ab, indem Sie auf das Fußpedal treten und das Pedal nach vorne drücken.
- Kippen Sie die Maschine nach hinten, um die Antriebsmotornabe freizulegen.



#### HINWEIS

Nehmen Sie die Gummiabzieherbaugruppe ab, bevor Sie die Maschine nach hinten kippen. Dies macht den Vorgang schneller und leichter.

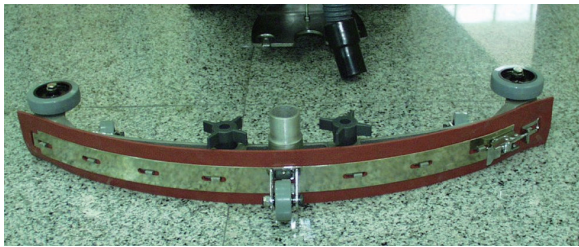
**WARNUNG!**

Kippen Sie die Maschine nicht über einen längeren Zeitraum nach hinten. Dadurch kann Batteriesäure aus den Batterien auslaufen.

- Wird ein Padtriebteiler verwendet, muss das Pad zuerst korrekt an die Padtriebteilerfläche angebracht werden.
- Montieren Sie den Padtriebteiler oder die Bürste an die Antriebsmotornabe, indem Sie die drei Stiftschrauben an den drei Bohrungen der Antriebsmotornabe ausrichten. Sobald sich diese in den Bohrungen befinden, den Antrieb Richtung Federverriegelung drehen, um den Antrieb festzustellen.

**DEN GUMMIABZIEHER MONTIEREN**

- Ziehen Sie den Gummiabzieher-Hubhebel zurück, um die Gummiabzieherhalterung anzuheben.
- Lösen Sie die zwei Knöpfe am Gummiabzieher und schieben Sie den Gummiabzieher in die Schlitze an der Rückseite der Gummiabzieherhalterung. (Die Räder des Gummiabziehers zeigen nach hinten.)

**DEN LÖSUNGSTANK BEFÜLLEN**

Der Fang **20HD-EU** kann an zwei Stellen befüllt werden:

- a. Der vordere Bereich dient der Befüllung mit einem Schlauch oder Eimer.
- b. Der hintere Bereich kann nur mit einem Schlauch befüllt werden.

- Bestimmen Sie, welcher Befüllbereich für das Befüllen der Maschine mit Wasser verwendet werden soll.
- Befüllen Sie den Tank mit bis zu 52 Liter Wasser. (Die Wassertemperatur sollte 40 °C nicht überschreiten.) Das transparente Rohr hinten links an der Maschine zeigt über eine Gallonenmarkierung den Wasserstand des Lösungstanks an.

**HINWEIS**

Wenn Sie den Lösungstank mit einem Eimer auffüllen, bitte sicherstellen, dass der Eimer sauber ist. Dadurch wird verhindert, dass Verschmutzungen die Leitungen des Magnetventils verstopfen.

**WARNUNG!**

Füllen Sie keine brennbaren Materialien in den Lösungstank. Dies kann eine Explosion oder einen Brand auslösen. Verwenden Sie nur empfohlene Reinigungschemikalien.

Wenden Sie sich für Empfehlungen geeigneter Chemikalien an Ihren Vertrieb von Hausmeisterartikeln.

**DIE MASCHINE STARTEN UND STOPPEN****WARNUNG!**

Die Maschine darf nicht betrieben werden, es sei denn, Sie haben dieses Handbuch gelesen und verstanden.

- Stellen Sie das Steuergehäuse auf eine angenehme Höhe ein, indem Sie die beiden Daumenhebel (16) direkt unter dem Gehäuse zusammendrücken.
  - Senken Sie die Gummiabzieherbaugruppe auf den Boden ab, indem Sie den Hubhebel (19) aus der verriegelten Position freigeben.
  - Senken Sie die Bürstenkopfbaugruppe auf den Boden ab, indem sie den Bürstendruckschalter (7) auf die Position AN stellen.
  - Schalten Sie den Netzschalter (1) auf die Position „AN“.
  - Schalten Sie den Bürstenmotorschalter (4) auf die Position „AN“.
  - Schalten Sie den Vakuummotorschalter (2) auf die Position „AN“.
  - Schalten Sie den Lösungsschalter (6) auf die Position „AN“.
- Die Lösung wird nicht fließen, bis der Betriebsauslöser gezogen wird.

- Der Fang 20HD-EU verfügt über einen Eigenantrieb. Die Geschwindigkeit kann über einen Knopf (9) an der rechten Seite des Steuergehäuses geregelt werden.
- Der Fang 20HD-EU verfügt über einen Rückwärtsgang. Der Rückwärtsgang wird über einen Kippschalter (18) an der linken Seite des Steuergehäuses aktiviert.
- Ziehen Sie zum Beginnen des Schrubbens an einem oder beiden roten Betriebsauslösern (21). Werden diese Auslöser gezogen, beginnt sich die Bürste zu drehen und die Lösung fließt.  
Der FANG20HD-EU treibt sich selbst an. Der FANG20HD-EU beginnt mit dem Schrubben, wenn die Maschine vorwärts bewegt wird.

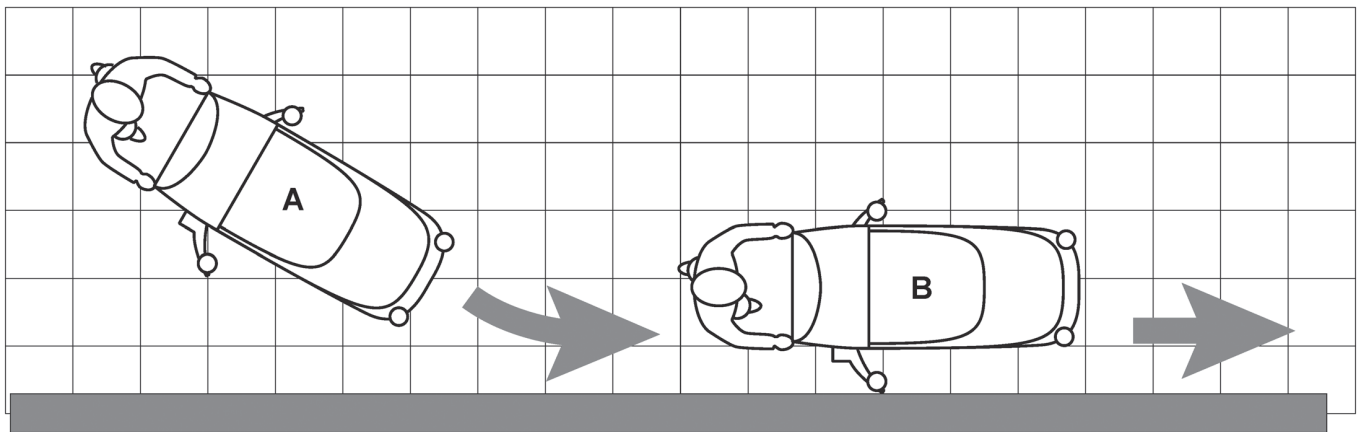
**WARNUNG!**

Belassen Sie die Maschine mit sich drehender/m Pad/Bürste nicht in derselben Position, da dies den Boden beschädigen könnte.

- Regeln Sie die ausfließende Lösungsmenge, indem Sie am Lösungssteuerknopf (8) drehen. Ein Drehen nach rechts sorgt für mehr Lösung, ein Drehen nach links für weniger Lösung.

**HINWEIS**

Für korrektes Schrubben/Trocknen von Böden an den Seiten von Wänden empfiehlt Viper, sich, wie abgebildet, den Wänden mit der rechten Seite der Maschine anzunähern.

**VORSICHT!**

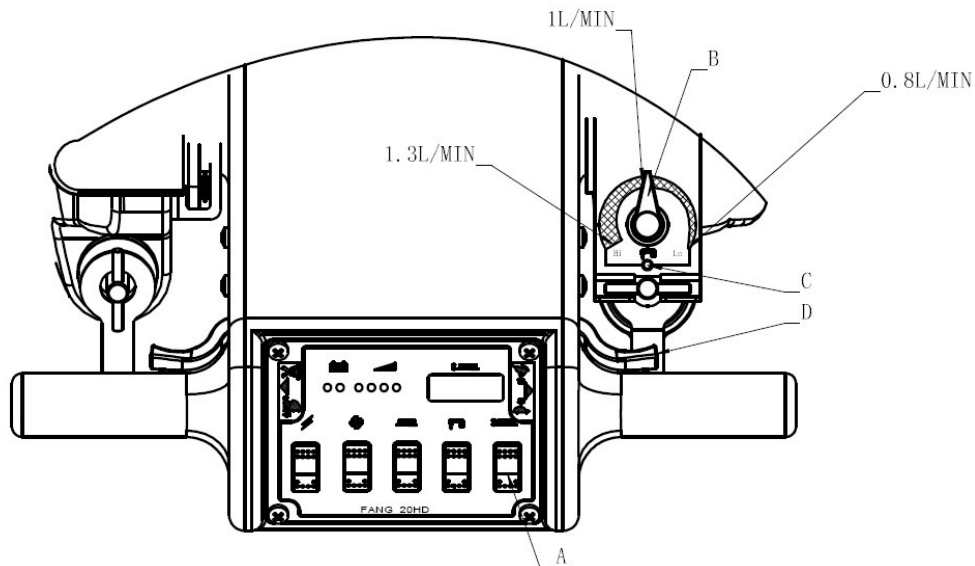
Bleibt die Maschine an einer Stelle stehen, die Bürsten-/Pad-Halterung zur Vermeidung von Schäden an Bodenflächen ausschalten, insbesondere wenn die Extradruck-Funktion aktiviert ist.

**REGELN DES LÖSUNGS AUSSTROMS**

- Schalten Sie den Lösungsschalter (A) auf die Position „AN“.
- Regeln Sie die ausfließende Lösungsmenge, indem Sie am Lösungssteuerknopf (B) drehen. Ein Drehen nach rechts (im Uhrzeigersinn) sorgt für mehr Lösung, ein Drehen nach links (gegen den Uhrzeigersinn) für weniger Lösung.  
Der Stift (C) zeigt die Endposition des Lösungsregelknopfes (B) an.

**HINWEIS**

Auch wenn Sie den Lösungsschalter (A) aktivierten, fließt die Lösung nicht, bis der Betriebsauslöser gezogen wird.



### BATTERIEENTLADUNG WÄHREND DES BETRIEBS

Solange die grüne Warnanzeige (3) leuchtet, betreiben die Batterien die Maschine wie üblich.

Erlischt die grüne Warnanzeige (3) und leuchtet die gelbe Warnanzeige (3) auf, ist es ratsam, die Batterien aufzuladen, da der Rest-Autonomie nur noch für wenige Minuten ausreicht (in Abhängigkeit von den Batteriemerkmalen und der durchgeführten Arbeit).

Wenn die rote Warnanzeige (3) aufleuchtet, ist die Autonomie beendet. Nach ein paar Sekunden wird die Bürsten-/Pad-Halterung automatisch ausgeschaltet, während das Vakuum- und das Antriebssystem eingeschaltet bleiben, um das Trocknen des Bodens zu beenden und die Maschine zur ausgewiesenen Ladestelle zu fahren.



#### VORSICHT!

Verwenden Sie die Maschine nicht mit entladenen Batterien, um Schäden an den Batterien und die Verringerung der Batterielebensdauer zu verhindern.

### WÄHREND DES MASCHINENBETRIEBS

- Schauen Sie gelegentlich durch den transparenten Schmutzwasserdeckel, um nach möglicher Schaumentwicklung zu sehen. Füllen Sie einen Entschäumer in den Schmutzwassertank, wenn übermäßig viel Schaum vorhanden ist.



#### WARNUNG!

Schaum darf nicht in das Abschaltssystem mit Schwimmer eindringen, da sonst der Vakuummotor beschädigt werden könnte. Durch Schaum wird das Abschaltssystem mit Schwimmer nicht aktiviert.

- Schauen Sie sich gelegentlich das transparente Rohr hinten links an der Maschine an, um die Menge an in der Maschine verbliebener Reinigungslösung zu überprüfen.
- Überprüfen Sie gelegentlich den Batteriestatus (3). Zeigt das Messgerät rot an, müssen die Batterien aufgeladen werden.



#### WARNUNG!

Betreiben Sie die Maschine nicht weiter, wenn der Batteriestatus auf Rot steht. Die Batterie nimmt dadurch Schaden.

- Wenn die Gummiabzieherbaugruppe auf dem Boden Streifen hinterlässt, den Gummiabzieher vom Boden abheben und die Wischer mit einem feuchten Tuch abwischen.



#### WARNUNG!

Benutzen Sie zum Abwischen oder Entfernen von Verschmutzungen auf den Wischern nicht die Finger, da dies zu Verletzungen führen könnte.

- Schalten Sie den Bürsten- und Lösungsschalter aus, wenn der Lösungstank leer ist, und heben Sie den Bürstenkopf an.

Belassen sie den Gummiabzieher unten und fahren Sie mit dem Absaugen fort, bis alles Schmutzwasser aufgenommen ist. (Zum Entleeren von Schmutzwasser- und Lösungstanks siehe Abschnitt TANKENTLEERUNG.)

**HINWEIS**

Der Bürstenmotor ist zum Schutz gegen Schäden mit einem Leistungsschalter versehen. Wird dieser Unterbrecher ausgelöst, kann er nicht sofort wieder aktiviert werden. Zuerst muss festgestellt werden, wodurch der Leistungsschalter ausgelöst wurde und der Motor muss abkühlen, bevor der Leistungsschalter wieder aktiviert werden kann.

**TANKENTLEERUNG**

- Schalten Sie die Maschine aus.
- Transportieren Sie die Maschine mit dem Gummiabzieher und der Bürste in erhobener Position zum Entleeren des/der Tanks zum ausgewiesenen Bereich.

**ENTLEEREN DES (VERSCHMUTZTEN) SCHMUTZWSSERTANKS****HINWEIS**

Nach jedem Schrubben oder nach dem Nachfüllen des Lösungstanks muss der Schmutzwassertank entleert und gereinigt werden.

**WARNUNG!**

Wenn der Schmutzwassertank nach dem Nachfüllen des Lösungstanks nicht entleert wird, könnte Schaum oder Wasser in den Abschaltmechanismus eindringen und den Vakuummotor beschädigen.

- Nehmen Sie den Ablaufschlauch aus der Halterung und halten Sie den Ablaufschlauch über den Bodenabguss. Drehen Sie den Stecker des Ablaufschlauchs ab, um mit dem Entleeren zu beginnen. Zum vollständigen Entleeren des Schmutzwassertanks das Scharnier des Schmutzwassertanks öffnen und dieses auf dem Ständer ruhen lassen.
- Reinigen Sie den Schmutzwassertank nach jedem Gebrauch. Spülen Sie den Schmutzwassertank mithilfe eines Frischwasserschlauchs aus. Achten Sie darauf, kein Wasser in den Abschaltmechanismus mit Schwimmer zu spritzen.

**HINWEIS**

Wird die Maschine über einen längeren Zeitraum gelagert, darf der transparente Deckel des Schmutzwassertanks nie am Tank belassen werden, damit der Tank vollständig trocknet und sich keine Gerüche bilden.

- Bringen Sie den Stecker des Ablaufschlauchs nach der Tankentleerung wieder fest an.

**ENTLEERUNG DES (SAUBEREN) LÖSUNGSTANKS****HINWEIS**

Nach jedem Schrubben sollte der Lösungstank entleert und gereinigt werden.

- Ziehen Sie das transparente Rohr (hinten links an der Maschine) nach unten, um es von der Schlauchtülle anzunehmen. Dadurch kann die Lösung frei in einen Eimer oder Bodenabguss fließen.
- Spülen Sie den Lösungstank nach jedem Gebrauch mit klarem Wasser aus. Dadurch werden Ablagerungen von Chemikalien und das Verstopfen der Lösungsleitungen verhindert.
- Schalten Sie die Maschine mit Wasser im Lösungstank ein, schalten Sie den Lösungsschalter „an“ und ziehen Sie die Betriebsauslöser. Dadurch wird das Leitungssystem mit klarem Wasser gespült und gereinigt.
- Sobald der Tank gespült, gereinigt und entleert ist, kann das transparente Rohr wieder an die Schlauchtülle angebracht werden. Vergewissern Sie sich, dass das Rohr an der Schlauchtülle vollständig nach oben geschoben ist.

**AUFLADEN DER BATTERIE****HINWEIS**

Für eine optimale Maschinenleistung müssen die Batterien die ganze Zeit über aufgeladen sein. Sie sollten nicht in entladendem Zustand belassen werden.

**HINWEIS**

Wurde bei der Maschine ein optionales Batterieladegerät installiert, kann die Batterie ohne angeschlossenes Ladegerät nicht betrieben werden. Wenden Sie sich im Fall einer Fehlfunktion des Batterieladegeräts an ein autorisiertes Kundendienstcenter.



**VORSICHT!**

Verwenden Sie nur zugelassene Ladegeräte mit folgenden Spezifikationen:

- Automatische Stromabschaltung
- Tiefenzyklus-Aufladung
- Ausgabestrom von 10 – 20 A
- Ausgabespannung von 24 Volt

**VORSICHT!**

Batterien sind gefährlich! Batterien emittieren Wasserstoff, was zu einer Explosion oder einem Brand führen kann. Halten Sie Funken und Flammen zu allen Zeiten von den Batterien fern.

Wenn die Maschine aufgeladen wird, muss sichergestellt werden, dass das Batteriefach geöffnet ist.



- Stellen Sie das Ladegerät und die Maschine in einen gut belüfteten Bereich.
- Schalten Sie die Maschine aus.
- Heben Sie den Schmutzwassertank ab und legen Sie das Batteriefach frei.
- Überprüfen Sie den Flüssigkeitsstand in jeder Batteriezelle. Laden Sie die Batterien nur auf, wenn die Flüssigkeit die Batterieplatten leicht bedeckt. Die Batterien dürfen nicht überfüllt werden. Ein Überfüllen kann zum Überlaufen der Batterien führen, die sich während des Ladens ausdehnen. Bringen Sie die Kappen vor dem Laden wieder an.
- Schließen Sie ein zugelassenes Ladegerät an eine geerdete Wandsteckdose an, bevor Sie das Ladegerät an die Maschine anschließen.
- Schließen Sie das Ladegerät an den roten Ladeanschluss vorne links am Batteriefach an.
- Klappen Sie den "Kickständer" des Schmutzwassertanks nach oben und legen Sie den Schmutzwassertank vorsichtig auf dem Ständer ab.
- Das Batterieladegerät beginnt automatisch mit dem Laden der Batterien und beendet dieses auch automatisch, sobald die Batterien vollständig aufgeladen sind.
- Trennen Sie nach vollständigem Ladevorgang zuerst das Ladegerät von der Wandsteckdose und trennen Sie anschließend das Ladegerät von der Maschine.
- Überprüfen Sie nach vollständigem Ladevorgang den Batterieflüssigkeitsstand. Ist der Flüssigkeitsstand niedrig, muss destilliertes Wasser nachgefüllt werden, bis der Flüssigkeitsstand den Boden der Sichtrohre erreicht. Bringen Sie die Kappen wieder an und wischen Sie die Batterien mit einem Tuch trocken.

**WARTUNG**

Damit die Maschinen Ihnen viele Jahre gute Dienste leistet, beachten Sie bitte folgende Wartungsverfahren.

**VORSICHT!**

Vergewissern Sie sich immer, dass die Maschine ausgeschaltet und das Batteriekabel abgetrennt ist, bevor Sie Wartungs- und Reparaturarbeiten vornehmen.

**TÄGLICHE INSTANDHALTUNG**

- Padtriebeller/Bürste abnehmen und mit einem zugelassenen Reinigungsmittel säubern.
- Schmutzwasser- und Lösungstanks vollständig entleeren und mit klarem Wasser ausspülen. Führen Sie eine Sichtprüfung



- des Schmutzwassertanks auf Ablagerungen durch und reinigen Sie ihn wenn nötig.
- Die Gummiabzieherbaugruppe vom Boden abheben und mit einem feuchten Tuch abwischen. Stellen Sie sicher, dass der Gummiabzieher in erhobener Position gelagert wird.
- Nehmen Sie die Abschaltbaugruppe mit Schwimmer ab und spülen Sie diese mit klarem Wasser aus.
- Reinigen Sie die Maschine mit einem zugelassenen Reinigungsmittel und einem feuchten Tuch. Das Maschinenäußere darf zum Reinigen nicht mit Wasser besprüht werden, damit Motor und Leitungen nicht beschädigt werden.
- Batterien aufladen.



## WÖCHENTLICHE INSTANDHALTUNG

- Flüssigkeitsstand in den Batterien überprüfen.
- Die Batterien auf lose oder korrodierte Kabel überprüfen.
- Die Batterienoberseiten frei von Korrosion halten.

## MONATLICHE INSTANDHALTUNG

- Überprüfen Sie die Maschine auf Lecks und lose Befestigungsteile.
- Schmier sie alle Schmierstellen und Drehpunkte mit Silikonspray und zugelassenem Fett.
- Stellen Sie die Maschine über einen Bodenabguss. Spülen Sie das Lösungssystem durch, indem Sie 10 Liter heißes Wasser und zugelassenes alkalisches Reinigungsmittel in den Lösungstank schütten und die Maschine (mit eingeschaltetem Lösungsregler) für 45 Sekunden laufen lassen.

Die Maschine ausschalten und über Nacht ruhen lassen. Entleeren Sie die verbleibende Lösung am nächsten Tag und spülen Sie den Lösungstank mit klarem Wasser aus.

## REINIGUNG DES MOTORFILTERS DES VAKUUMSYSTEMS

- Fahren Sie die Maschine auf eine ebene Bodenfläche.
- Den Zündschlüssel (32) auf „AUS“ drehen.
- Den Schmutzwassertank öffnen.
- Gegebenenfalls das Wasser aus dem Tank lassen, um den Filter freizulegen.
- Überprüfen, ob der Vorfilter sauber ist. Wenn nötig, diesen mit Wasser und Druckluft reinigen und wieder einsetzen.
- Führen Sie die Schritte 1, 2 und 3 in umgekehrter Reihenfolge durch.

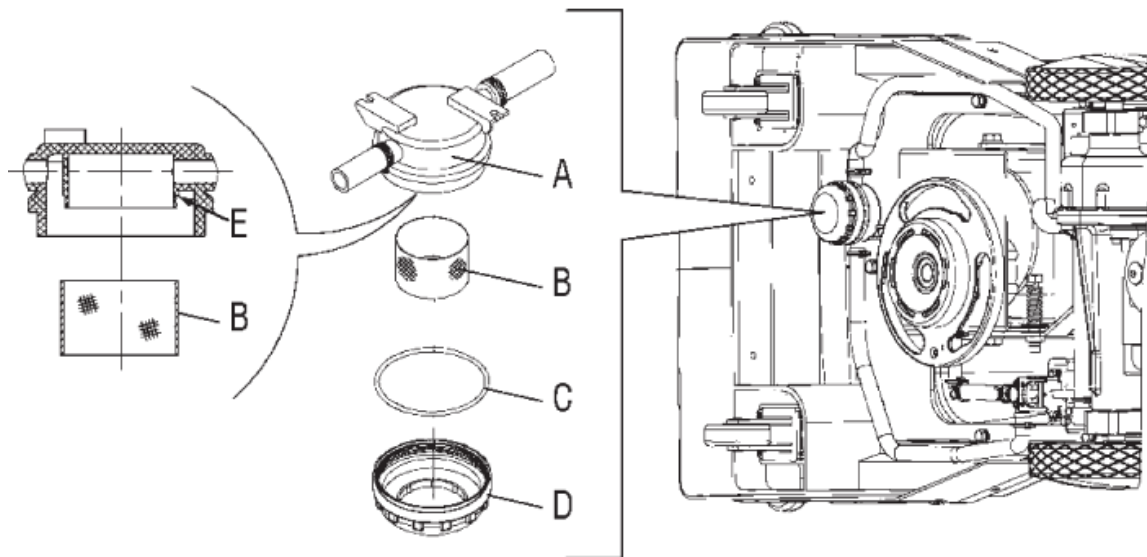
## LÖSUNGS-/FRISCHWASSER-FILTERREINIGUNG

- Fahren Sie die Maschine auf eine ebene Bodenfläche.
- Den Zündschlüssel (32) auf „AUS“ drehen.
- Nehmen Sie die transparente Abdeckung (D) (der Wasserfilter befindet sich unter der Maschine) ab und entfernen Sie anschließend das Filtersieb (B). Beides reinigen und auf den Ständer legen (A).



### HINWEIS

Das Filtersieb (B) muss korrekt am Gehäuse (E) des Ständers (A) angebracht werden.



## ÜBERPRÜFUNG UND AUSTAUSCH DES GUMMIABZIEHERWISCHERS

- Reinigen sie den Gummiabzieher wie im vorigen Abschnitt gezeigt.
- Überprüfen Sie, ob sich die Kante (M) des vorderen Wischers (D) und die Kante (L) des hinteren Wischers (E) auf ganzer Länge auf derselben Ebene befindet.

Stellen Sie deren Höhe andernfalls wie folgt ein:

- Lösen Sie die Halterungen (A), um den hinteren Wischer (E) einzustellen; Halterungen wieder befestigen.
- Lösen Sie die Handräder (G) und stellen sie den vorderen Wischer (D) ein; Halterungen wieder befestigen.
- Überprüfen sie den vorderen Wischer (D) und hinteren Wischer (E) auf Unversehrtheit, Schnitte und Risse; wenn nötig, wie unten dargestellt austauschen.

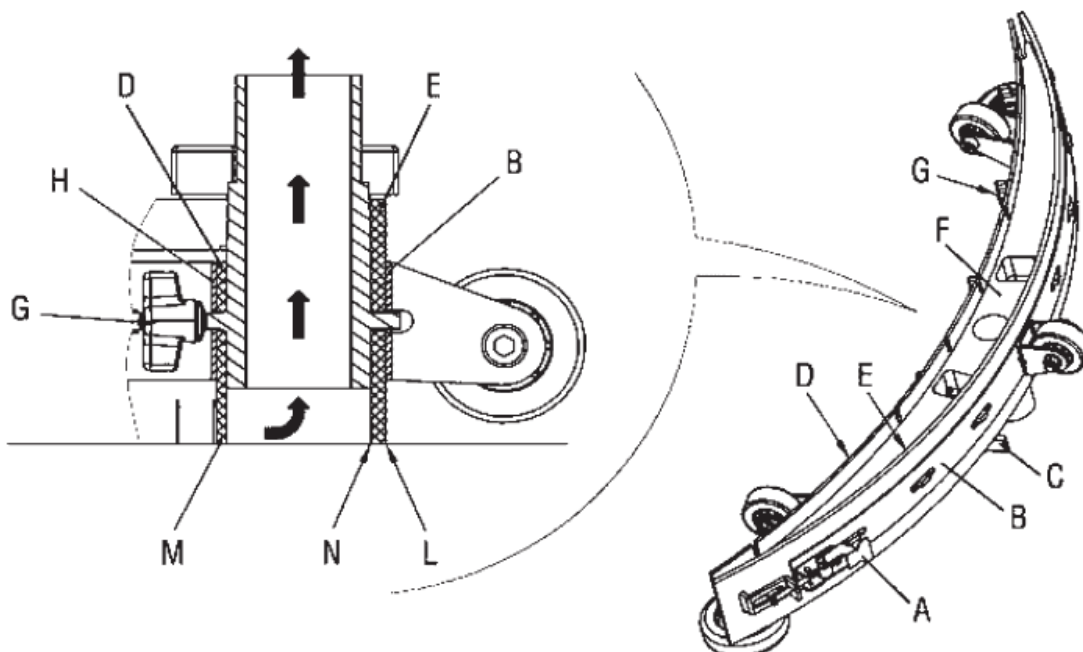
Stellen Sie sicher, dass die vordere Ecke (N) des hinteren Wischers nicht verschlissen ist; drehen Sie den Wischer andernfalls um, um die verschlissene Ecke gegen eine intakte auszutauschen.

Sind auch die anderen Ecken verschlissen, den Wischer wie folgt austauschen:

- Lösen Sie die Halterungen (A) und nehmen Sie das Halterungsband (B) ab, anschließend kann der hintere Wischer (E) ausgetauscht/umgedreht werden. Installieren Sie den Wischer, indem sie die Schritte zum Abnehmen in umgekehrter Reihenfolge durchführen.
- Drehen Sie die Handräder (G) ab und entnehmen Sie das Halterungsband (H); tauschen Sie nun den vorderen Wischer (D) aus. Montieren Sie den Wischer, indem sie die Schritte zum Abnehmen in umgekehrter Reihenfolge durchführen.

Die Höhe, wie im vorigen Schritt gezeigt, nach dem Austausch (oder Umdrehen) der Wischer einstellen.

- Schließen Sie den Vakuumschlauch (33) an den Gummiabzieher an.
- Montieren Sie den Gummiabzieher (13) und drehen Sie die Handräder (34) herunter.



**BÜRSTEN-/PAD-REINIGUNG****VORSICHT!**

Schneidegefahr.

Es ist ratsam, bei der Reinigung von Bürste/Pad Schutzhandschuhe zu tragen, da scharfe Ablagerungen vorhanden sein können.


- Entfernen Sie die Bürste/das Pad von der Maschine, wie im Kapitel Gebrauch gezeigt.
- Bürste/Pad mit Wasser und Reinigungsmittel reinigen und abwaschen.
- Bürste/Pad auf Unversehrtheit und übermäßige Verschleißspuren hin überprüfen; wenn nötig austauschen.

**PROBLEMBEHEBUNG**

PROBLEM	URSACHE	LÖSUNG
Bürstenmotor läuft nicht	Schlechter Bürstenschalter	Viper-Händler kontaktieren
	Bürsten-Leistungsschalter hat ausgelöst	Bürstenmotor auf Blockierungen überprüfen und
	Gleichrichter ist durchgebrannt	Viper-Händler kontaktieren
	Schlechte Verkabelung	Viper-Händler kontaktieren
	Schlechter Bürstenmotor	Viper-Händler kontaktieren
	Kohlebürsten verschlissen	Viper-Händler kontaktieren
	Schlechtes Magnetventil	Viper-Händler kontaktieren
Vakuummotor läuft nicht	Schlechter Vakuumschalter	Viper-Händler kontaktieren
	Schlechte Verkabelung	Viper-Händler kontaktieren
	Schlechter Vakuummotor	Viper-Händler kontaktieren
	Kohlebürsten verschlissen	Viper-Händler kontaktieren
Kurze Laufzeit	Batterien müssen aufgeladen werden	Batterien aufladen (siehe Batterien aufladen)
	Batterien benötigen Wartung	Siehe Batteriewartung in dieser Anleitung
	Schlechte Batteriezellen	Batterien austauschen
	Schlechtes Ladegerät	Ladegerät ersetzen
Geringer oder kein Lösungsausstrom	Schlechter Lösungs-Schalter	Viper-Händler kontaktieren
	Verstopftes Magnetventil	Viper-Händler kontaktieren
	Verstopfter LösungsfILTER	Filter entnehmen und reinigen
	Lösungsleitung blockiert	Lösungsleitung entnehmen und reinigen
	Der Regelknopf für den Lösungsausstrom muss eingestellt werden	Lösungsausstrom erhöhen, indem der Regelknopf nach rechts gedreht wird. Verringern, indem der Regelknopf nach links gedreht wird.
Schlechte Wasseraufnahme	Gummianzieher blockiert	Gummiabzieher von Schmutz befreien
	Gummianzieherwischer verschlissen	Neue Gummiabzieherwischer installieren
	Gummianzieher nicht korrekt angebracht	Sicherstellen, dass die Gummiabzieher-Wischerbaugruppe fest angebracht und nicht lose ist.
	Vakuumschläuche weisen Löcher auf oder sind lose	Schlauchanschlüsse auf Sitzfestigkeit prüfen. Beschädigte Schläuche austauschen.
	Vakkumschlauch könnte blockiert sein	Schlauch überprüfen und Schmutz entfernen
	Ablaufschlauchverriegelung locker	Ablaufstecker befestigen.
	Batterien müssen aufgeladen werden	Batterien aufladen (siehe Batterien aufladen)
	Vakuummotor lose	Montageschrauben des Vakuummotors festziehen. Nicht überdrehen, um Schäden zu vermeiden.
	Schmutzwassertank sitzt locker	Sicherstellen, dass der transparente Schmutzwassertankdeckel fest sitzt.

PROBLEM	URSACHE	LÖSUNG
	Eingangsöffnung des Schmutzwassertanks verstopft	Schmutzwassertank entleeren und Tank auf die Seite kippen. Eingangsöffnung auf Schmutz untersuchen und solchen entfernen.
	Schmutzwassertank voll	Schmutzwassertank leeren
	Abschaltmechanismus verstopft	Abschaltmechanismus aus dem Schmutzwassertank entnehmen und Schmutz entfernen.

## LAGERUNG

	<p><b>VORSICHT!</b></p> <p>Wird die Maschine in Bereichen gelagert, die Temperaturen unter dem Gefrierpunkt erreichen könnten, sicherstellen, dass sowohl Tank als auf Lösungsleitungen frei von Wasser und trocken sind!</p>
---	---

- Lagern Sie die Maschine an einem trockenen, frostgeschützten Ort.
- Die Lagertemperatur der Maschine muss zwischen 0 °C und +40 °C liegen.
- Lagern Sie die Maschine immer in Innenbereichen.
- Nehmen Sie Bürste/Pad immer ab.
- Lagern Sie die Maschine immer mit vom Boden abgehobenem Gummiabzieher.
- Wenn die Maschine in einem Bereich gelagert wird, der Temperaturen unter dem Gefrierpunkt erreichen kann, vor der Lagerung sicherstellen, dass alle Flüssigkeiten aus der Maschine abgelassen wurden. Jeglicher Schaden durch Temperaturen unter dem Gefrierpunkt wird von der Gewährleistung nicht abgedeckt.
- Entleeren Sie den Schmutzwassertank und entfernen Sie die transparente Abdeckung des Schmutzwassertanks, damit dieser während der Lagerung "atmen" kann.
- Lassen Sie alle Flüssigkeit aus dem Lösungstank ab.

## RECYCLING DER REINIGUNGSMASCHINE

Machen Sie die ausgediente Reinigungsmaschine umgehend unbrauchbar:

- Batterien entnehmen.
- Elektrische Geräte nicht zusammen mit Haushaltsabfällen entsorgen.



Wie in der europäischen Richtlinie 2002/96/EC für Elektro- und Elektronik-Altgeräte ausgeführt, müssen elektrische Geräte separat gesammelt und ökologisch recycelt werden.

Erkundigen Sie sich nach weiteren Informationen bei Ihren örtlichen Behörden oder Ihrem nächstgelegenen Händler.

## TABLE DES MATIÈRES

INTRODUCTION.....	50
USAGE DU MANUEL ET CONTENU.....	50
CIBLE(BUT).....	50
COMMENT GARDER ET TENIR CE MANUEL.....	50
DÉCLARATION DE CONFORMITÉ.....	50
DONNEES D'IDENTIFICATION.....	50
AUTRES MANUELS DE RECOMMANDATION.....	50
PIECES DE RECHANGE ET ENTRETIEN.....	50
MODIFICATIONS ET AMELIORATIONS.....	50
USAGE ET DESTINATION.....	50
CONVENTIONS.....	51
DEBALLAGE / LIVRAISON.....	51
SÉCURITÉ.....	51
SYMBOLES UTILISES INDIQUANT DES INSTRUCTIONS.....	51
INSTRUCTIONS GÉNÉRALES.....	52
DESCRIPTION DE LA MACHINE.....	55
STRUCTURE DE LA MACHINE.....	55
ACCESSOIRES / OPTIONS.....	56
SCHEMA DE CABLAGE (FANG20HD-EU ).....	58
FONCTIONNEMENT.....	59
AVANT DE METTRE LA MACHINE EN MARCHE.....	59
LORS DU FONCTIONNEMENT DE LA MACHINE.....	63
ENTRETIEN.....	65
ENTRETIEN QUOTIDIEN.....	65
ENTRETIEN HEBDOMADAIRE.....	66
ENTRETIEN MENSUEL.....	66
NETTOYAGE DU FILTRE DU MOTEUR D'ASPIRATEUR.....	66
SOLUTION / NETTOYAGE FILTRE D'EAU PROPRE DE NETTOYAGE.....	66
VERIFICATION DE LA LAME DU BALAI_EPONGE ET REMPLACEMENT.....	67
BROSSE /NETTOYAGE DE PLAQUETTE.....	67
DEPANNAGE.....	68
STOCKAGE.....	69
RECYCLAGE DU FILTRE.....	69

## INTRODUCTION



### NOTE

Les chiffres entre parenthèses renvoient aux éléments indiqués dans le chapitre Description de la machine.

## USAGE DU MANUEL ET CONTENU

Ce manuel a pour but de fournir à l'opérateur toutes les informations nécessaires afin d'utiliser la machine correctement, et d'une façon assurée et autonome. Il a pour contenu des informations sur les données techniques, de sécurité, de fonctionnement, de stockage, de maintenance, de pièces détachées et d'élimination. Avant d'effectuer toute utilisation sur la machine, les utilisateurs et les techniciens qualifiés doivent lire attentivement ce manuel. En cas de doute concernant l'interprétation des instructions et pour n'importe quelle information complémentaire, veuillez contacter Viper

## CIBLE

Ce manuel est destiné aux opérateurs et techniciens qualifiés pour effectuer l'entretien de la machine.

Les opérateurs ne doivent pas effectuer les procédures réservées à des techniciens qualifiés. En cas des dommages provenant du non-respect de cette interdiction, VIPER ne sera pas responsable.

## COMMENT GARDER ET TENIR CE MANUEL

Le manuel d'utilisation doit être tenu prêt de la machine, dans une enveloppe spéciale, loin des liquides humides et d'autres substances qui peuvent l'abîmer.

## DÉCLARATION DE CONFORMITÉ

La déclaration de conformité, fournie avec la machine, certifie la conformité de la machine avec la législation en vigueur.



### NOTE

Deux exemplaires de la déclaration originale de conformité sont fournis avec la documentation de la machine.  
La déclaration CE est imprimée pour le Guide d'un démarrage rapide.

## DONNEES D'IDENTIFICATION

Le modèle et le numéro de série sont indiqués dans le plateau disque.

Servez-vous de cette information en cas de besoin des pièces de cette machine. Utilisez le tableau suivant pour noter les données d'identification de la machine.

Modèle de la machine .....

Numéro de série de la machine.....

## AUTRES MANUELS DE RECOMMANDATION

- Service Manuel (peut être consulté dans les centres de service Viper)
- Liste des pièces détachées (voir le site : [www.vipercleaning.eu](http://www.vipercleaning.eu))

## PIECES DE RECHANGE ET ENTRETIEN

Toutes les procédures nécessaires d'exploitation, d'entretien et de réparation doivent être effectuées par un personnel qualifié ou par les centres de service Vipère. Seules les pièces de rechange originales et les accessoires doivent être utilisés. Pour un service ou commande de pièces de rechange et accessoires, veuillez contacter Vipère, en précisant le modèle et le numéro de série

## MODIFICATIONS ET AMELIORATIONS

Vipère améliore constamment ses produits et réserve son droit de faire des changements et améliorations à sa discrétion sans être obligé de faire des applications de telles bénéfices des machines qui ont été précédemment vendues.

Toute modification et / ou l'ajout d'accessoires doit être approuvé(e) et réalisé(e) par VIPER.

## USAGE ET DESTINATION

Toutes les machines de nettoyage automatiques sont exclusivement consacrées pour utilisation humide des revêtements de sol qui résistent à l'eau à l'intérieur des bâtiments. Les machines de nettoyage automatique ne peuvent pas être utilisées pour



moquette et nettoyage de tapis.

Cet appareil est conçu pour une utilisation commerciale, par exemple dans les hôtels, les écoles, les hôpitaux, les usines, les magasins, les bureaux et les entreprises de location.

Toute autre utilisation est considérée comme non conforme. Le fabricant refuse toute responsabilité pour tout dommage résultant d'une telle utilisation. Le risque pour une telle utilisation cause à la charge unique de l'utilisateur.

Une bonne utilisation comprend aussi un bon fonctionnement, l'entretien et les réparations telles que spécifiées par le fabricant.

Les modifications apportées aux machines automatiques par les utilisateurs eux-mêmes excluent la responsabilité du fabricant pour tout dommage qui en résulte.

Le revêtement de sol doit être contrôlé par rapport à la pertinence de cette méthode de nettoyage avant l'utilisation de la machine!

Noter la pression à la surface en cas des moments des étages élastiques, par exemple, dans les gymnases!

Le fabricant ne prend aucune responsabilité en cas des dommages à la machine et le revêtement de sol à nettoyer, qui est causée par l'utilisation des mauvais balais et produits de nettoyage.

## CONVENTIONS

Vers l'avant, l'arrière, en face, derrière, à gauche ou à droite et en haut sont destinés en référence à la position de l'opérateur, c'est-à-dire en suivant la position du travail.

## DEBALLAGE / LIVRAISON

Suivez attentivement les instructions sur l'emballage pour déballer la machine

Lorsque la machine est livrée, vérifiez que l'emballage et la machine n'ont pas été endommagés pendant le transport. Dans le cas où vous observez des dommages, gardez l'emballage et faites-le vérifier par le transporteur qui l'a livré. Appelez le (transporteur) immédiatement pour remplir un formulaire de réclamation.

Vérifiez le contenu du paquet afin de s'assurer que les éléments suivants sont inclus:




- Machine
- Montage du balai-éponge
- Conducteur de brosse (et pilote de la plaquette)

## SÉCURITÉ

Les symboles suivants indiquent les situations potentiellement dangereuses. Il faut toujours lire attentivement ces informations et prendre toutes les précautions afin de protéger les personnes et les biens.

La coopération de l'opérateur est essentielle pour prévenir les blessures. Sans la coopération complète de la personne responsable du fonctionnement de la machine, il n'y a aucun programme de prévention des accidents en vigueur. La plupart des accidents qui peuvent survenir dans une entreprise, tout en travaillant ou en bougeant autour, en général sont dus au non-respect des règles de prudence et même des plus simples. Un opérateur prudent et avisé est bien protégé contre les accidents et c'est très important pour la réussite de tout programme de prévention.

## SYMBOLES UTILISES INDIQUANT DES INSTRUCTIONS

	<p><b>DANGER!</b></p> <p>Un danger qui mène directement à des blessures graves ou irréversibles, ou même au décès.</p>
	<p><b>AVERTISSEMENT!</b></p> <p>Un danger qui peut entraîner des blessures graves ou même au décès.</p>
	<p><b>ATTENTION!</b></p> <p>Un danger qui peut entraîner des blessures légères ou des dommages.</p>



## NOTE

Indique une remarque sur des fonctions importants (clés)

## INSTRUCTIONS GÉNÉRALES

Des avertissements et des précautions spécifiques sont indiqués ci-dessous pour informer sur les dommages importants aux personnes et à la machine

L'appareil doit

- Être utilisé seulement par les personnes qui ont été informés par l'utilisation correcte et explicitement demandé à la tâche de son fonctionnement.
- Ne doit être utilisé que sous la supervision
- Ne peut pas être utilisé par des enfants

Le lieu de travail est derrière l'aspirateur.

Ne pas utiliser de dangereuses techniques de travail

Toujours guider l'aspirateur en utilisant les deux mains sur la poignée.

Lorsque l'aspirateur est à l'arrêt, éteignez l'unité de brosse immédiatement pour éviter d'endommager le revêtement du sol.

Eteignez l'appareil et débranchez la prise de la batterie dans les cas suivants:

- Avant de nettoyer et d'entretenir
- Avant de remplacer des composants
- Avant de changer sur l'appareil

L'utilisation de l'aspirateur est soumise à la réglementation en vigueur. Outre que les instructions de service et de prévention des accidents contraignant les réglementations en vigueur dans le pays d'utilisation, il faut respecter les règles reconnues pour un travail sûr et convenable.

## TRANSPORT

Lors du transport de l'aspirateur dans les ascenseurs

- Respectez les règles de sécurité en vigueur, en particulier en ce qui concerne la capacité de charge.

## FONCTIONNEMENT

Afin d'empêcher une utilisation non autorisée de l'appareil, la source d'alimentation doit être désactivée ou verrouillée en retirant par exemple la clé de l'interrupteur d'alimentation.

Prenez toutes les précautions nécessaires pour éviter que les cheveux, les bijoux et les vêtements flottants soient saisis par les pièces en mouvement de la machine.

Avant d'utiliser la machine, fermez toutes les portes et / ou ouvertures.

La température de fonctionnement de la machine doit être comprise entre 0 ° C et +40 °C.

L'humidité doit être comprise entre 30% et 95 %.

N'utilisez pas la machine comme moyen de transport.

En cas d'incendie, utilisez un extincteur à poudre, et non à eau.

Ne jouez pas avec les gardes de sécurité de la machine et suivez scrupuleusement les instructions ordinaires d'entretien.

Ne laissez aucun objet entrer dans les ouvertures. N'utilisez pas la machine si les ouvertures sont obstruées. Gardez toujours les ouvertures libres de poussière, de poils et de toute autre matière étrangère qui pourrait réduire le flux de l'air.

Ne retirez pas ou altérez les plaques apposées à la machine.

Si la machine est utilisée conformément aux instructions, les vibrations ne sont pas dangereuses. Le niveau de vibrations de la machine est inférieur à 2.5 m/s<sup>2</sup> (98/37/EEC-EN 1033/1995).

Les niveaux de vibration de la Main / Bras sont bien en dessous de 2,5 m/s<sup>2</sup> (mesuré selon la norme ISO 5349), qui est la limite pour une période de fonctionnement en continu de 8 heures.

Cette machine ne doit pas être utilisée sur des routes ou des voies publiques.

Les machines Viper peuvent être utilisées en combinaison avec des détergents standards qui ne peuvent endommager aucun matériel des machines Viper (Interdit d'utiliser des solvants ou autres matériaux liquides agressifs). Viper ne paiera aucune réclamation concernant l'utilisation de détergents agressifs dans les machines Viper. Si vous avez besoin d'un produit spécial pour le nettoyage, contactez s'il vous plaît votre revendeur Viper.

Faites attention lors du transport de la machine lorsque la température est au-dessous du point de congélation. L'eau dans le réservoir ou dans les tuyaux pourrait geler et endommager sérieusement la machine.

## ENTRETIEN

Afin d'assurer un fonctionnement correcte et sûr de la machine, l'entretien périodique montré dans le chapitre correspondant de ce manuel, doit être réalisé par le personnel autorisé ou par le centre du service Viper.

Lisez attentivement toutes les instructions avant de passer à la procédure de tout entretien / réparation.

Ne travaillez pas sous la machine soulevée sans l'appuyer par des chandelles.

Ne lavez pas la machine avec des jets d'eau directs ou sous pression ou en utilisant des substances corrosives.

## GARANTIE

En ce qui concerne la garantie, nos conditions de commerce général sont applicables.

Les modifications non autorisées sur l'appareil, l'utilisation incorrectes de brosses et de détergents en plus d'utiliser l'appareil d'une manière autre que pour l'usage prévu exempté Le fabricant se retire de toute responsabilité pour les dommages résultant.

## ESSAIS ET APPROBATIONS

Les Essais électriques doivent être effectués conformément aux dispositions du règlement de sécurité (BGV A3) et à la norme DIN VDE 0701 partie 1 et partie 3. Conformément à DIN VDE 0702 ces essais doivent être effectués aux intervalles réguliers et après des réparations ou des modifications.

## COMPOSANTS ÉLECTRIQUES



### DANGER

Batteries.  
Risque d'explosion.

- La batterie en charge produit des gaz hydrogène très explosif. Maintenez l'ensemble du réservoir ouvert au moment du chargement de la batterie et effectuez cette procédure dans des endroits bien aérés et loin des flammes nues.
- Ne laissez pas la machine sans surveillance quand elle est branchée pour réduire le risque d'incendie, du choc électrique ou de blessure. Avant d'effectuer toute opération d'entretien, débranchez le câble du chargeur de la batterie du réseau électrique.
- Ne fumez pas pendant le chargement des batteries.
- L'utilisation de pièces détachées non authentiques, des accessoires, des batteries et des chargeurs peuvent diminuer la sécurité de l'appareil. Utilisez seulement des pièces détachées et accessoires de Viper et utilisez des batteries et des chargeurs que VIPER a recommandé. Lors de l'utilisation non certifiée et non recommandée des batteries et chargeurs, VIPER ne couvre pas le coût des dommages (garantie) causés par cela.




### ATTENTION !

Chargeur de batterie.  
Choc électrique due par des secteurs défectueux en liaison avec du plomb ou du câble du chargeur.  
Le contact avec un secteur défectueux en liaison avec du plomb ou du câble du chargeur peut entraîner des blessures graves, voire mortelles.


- Éloignez la batterie des étincelles, flammes et de matériel incandescent. Pendant le fonctionnement normal les gaz explosifs sont relâchés.
- Avant l'utilisation du chargeur de la batterie, assurez vous que les valeurs de fréquence et de tension sont indiquées sur la plaque de numéro série de la machine correspondant à la tension électrique du secteur.
- N'endommagez pas le câble d'alimentation électrique (par exemple, en le roulant, tirant ou en l'écrasant).
- Vérifiez régulièrement si le câble d'alimentation est endommagé ou montre des signes de vieillissement.
- Les conduites défectueuses câble de raccordement remplacé par votre représentant du service Viper ou un électricien qualifié avant d'utiliser l'appareil à nouveau.
- Ne tirez pas ou transporter la machine par le câble du chargeur de la batterie et n'utilisez jamais le câble du chargeur de la batterie comme un manche. Ne fermez pas une porte sur le câble du chargeur de la

	<p>batterie ou retirer le câble du chargeur de la batterie prêt des bords ou des coins.</p> <ul style="list-style-type: none"> <li>➤ Maintenir le câble du chargeur de la batterie à l'écart des surfaces chauffées.</li> <li>➤ Evitez de charger les batteries si le câble du chargeur de la batterie ou la prise du courant sont endommagés. Si la machine ne fonctionne pas comme il le faut, si elle a été endommagée, oubliée à l'extérieur ou si elle est tombée dans l'eau, retournez-la au centre du service.</li> </ul>
--	--


## ESCALIERS ET GRADIENTS

	<p><b>ATTENTION!</b>          Risque de chute et de glissade dans les escaliers et les inclinaisons.          Lors de monter les escaliers et les pentes, il ya un risque de blessures corporelles et des dommages à la propriété.</p> <ul style="list-style-type: none"> <li>➤ Ne sautez pas les étapes.</li> <li>➤ Utilisez l'appareil sur une surface horizontale avec une inclinaison maximale de 2%.</li> </ul>
---	--


## REVÊTEMENTS DU SOL

	<p><b>ATTENTION!</b>          ➤ Risque de dégâts sur les revêtements de sol sensibles          Les zones relativement sensibles du revêtement du sol peuvent être endommagées lors du nettoyage</p> <ul style="list-style-type: none"> <li>➤ Avant d'utiliser l'aspirateur, vérifiez si les revêtements de sol sont appropriés à cette technique de nettoyage.</li> <li>➤ <u>Attention aux parties compressives des sols élastiques tels que les salles de gym</u></li> <li>➤ Méfiez-vous de la compression au secteur des sols élastiques, par exemple, dans les salles de gym.</li> <li>➤ Utilisez uniquement des produits de nettoyage approuvés par Viper.</li> </ul>
---	---


## MATIÈRES DANGEREUSES POUR LA SANTE

	<p><b>AVERTISSEMENT</b>          Produit dangereux pour le bien être du revêtement du plancher ou du sol Les revêtements de sol peuvent contenir des matériaux qui sont dangereux pour la santé, qui se dissolvent au moment du nettoyage.</p> <ul style="list-style-type: none"> <li>➤ Ne pas nettoyer les poussières des revêtements de sol par des liquides qui sont dangereux pour la santé car ils peuvent se dissoudre.</li> </ul>
--	--

## RISQUE D'EXPLOSION

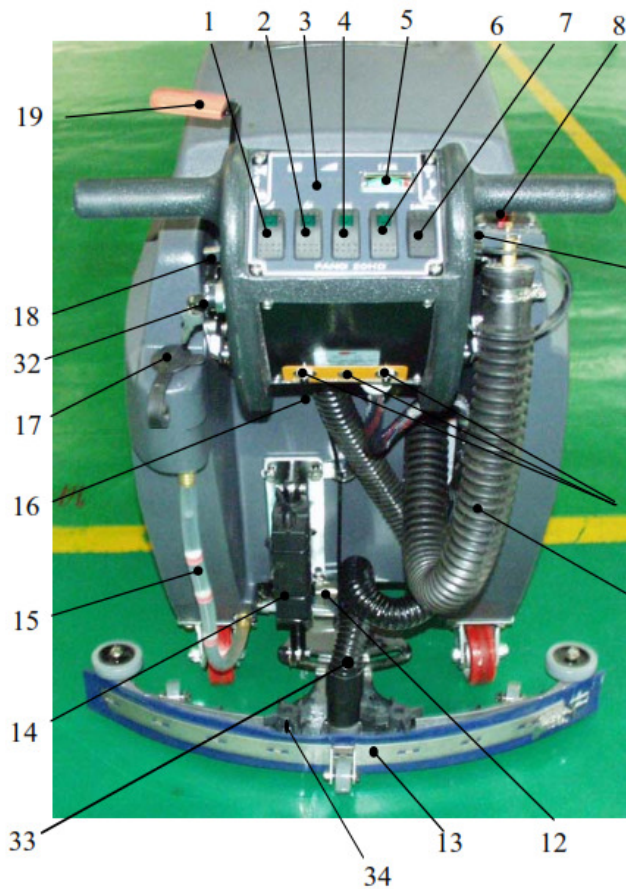
	<p><b>AVERTISSEMENT</b>          Matières inflammables et explosives.          Risque d'explosion dans un atmosphère explosive ou zones où des produits inflammables et explosifs sont stockées.</p> <ul style="list-style-type: none"> <li>➤ Ne faites pas fonctionner l'appareil à proximité des poudres dangereuses, inflammables et / ou explosives, de liquides ou de vapeurs.</li> </ul>
---	--

## PIECES DETACHEES ET ACCESSOIRES

	<p><b>ATTENTION!</b>          Des composants non authentiques et des détergents inconvenables.          L'utilisation de pièces non authentiques et de détergents inconvenables peut compromettre la sécurité de l'appareil et conduit aux dégâts.</p> <ul style="list-style-type: none"> <li>➤ Utilisez uniquement des pièces détachées et accessoires de Viper.</li> <li>➤ N'utilisez que les accessoires et détergents fournies avec l'appareil ou de ceux indiqués dans les instructions d'utilisation.</li> </ul>
---	--

## DESCRIPTION DE LA MACHINE

## STRUCTURE DE LA MACHINE



1. L'interrupteur d'alimentation principale ON / OFF
2. Interrupteur pour l'aspirateur ON / OFF
3. Indicateur de niveau de batterie
4. Interrupteur de brosse ON / OFF
5. Compteur de pression de la brosse
6. Interrupteur de solution ON / OFF
7. Interrupteur de pression de brosse haut/ vers le bas
8. Bouton de contrôle de solution
9. Bouton de contrôle de la vitesse
10. Disjoncteurs
11. Tuyau de vidange du réservoir de récupération
12. Réglage du balai-éponge écrou/arbre
13. Montage du balai-éponge
14. Frotter l'actionneur de tête
15. Réservoir de solution de visualisation du niveau du tube

16. Console du réglage de leviers
  17. Remplissage de solution par l'arrière
  18. Inverser l'interrupteur
  19. Levier de changement de niveau de hauteur du balai-éponge
  20. Boîtier de commande
  21. La gâchette
  22. Réservoir de solution
  23. Roulettes arrière
  24. Roues de transport
  25. Frotter la tête
  26. Frotter le milieu de la tête
  27. Le Loquet du boîtier mini
  28. Rouleaux de protection
  29. Remplissage de solution de cote avant
  30. Réservoir de récupération
  31. Couvercle du réservoir de récupération
  32. Interrupteur à clé
  33. Tuyau d'aspiration du balai
  34. Montage des roues du balai
- Montage des roues du balai

**ACCESSOIRES / OPTIONS**

En plus des composants standard, la machine peut être équipée avec les accessoires suivants / options, en fonction de l'utilisation spécifique de l'ordinateur:

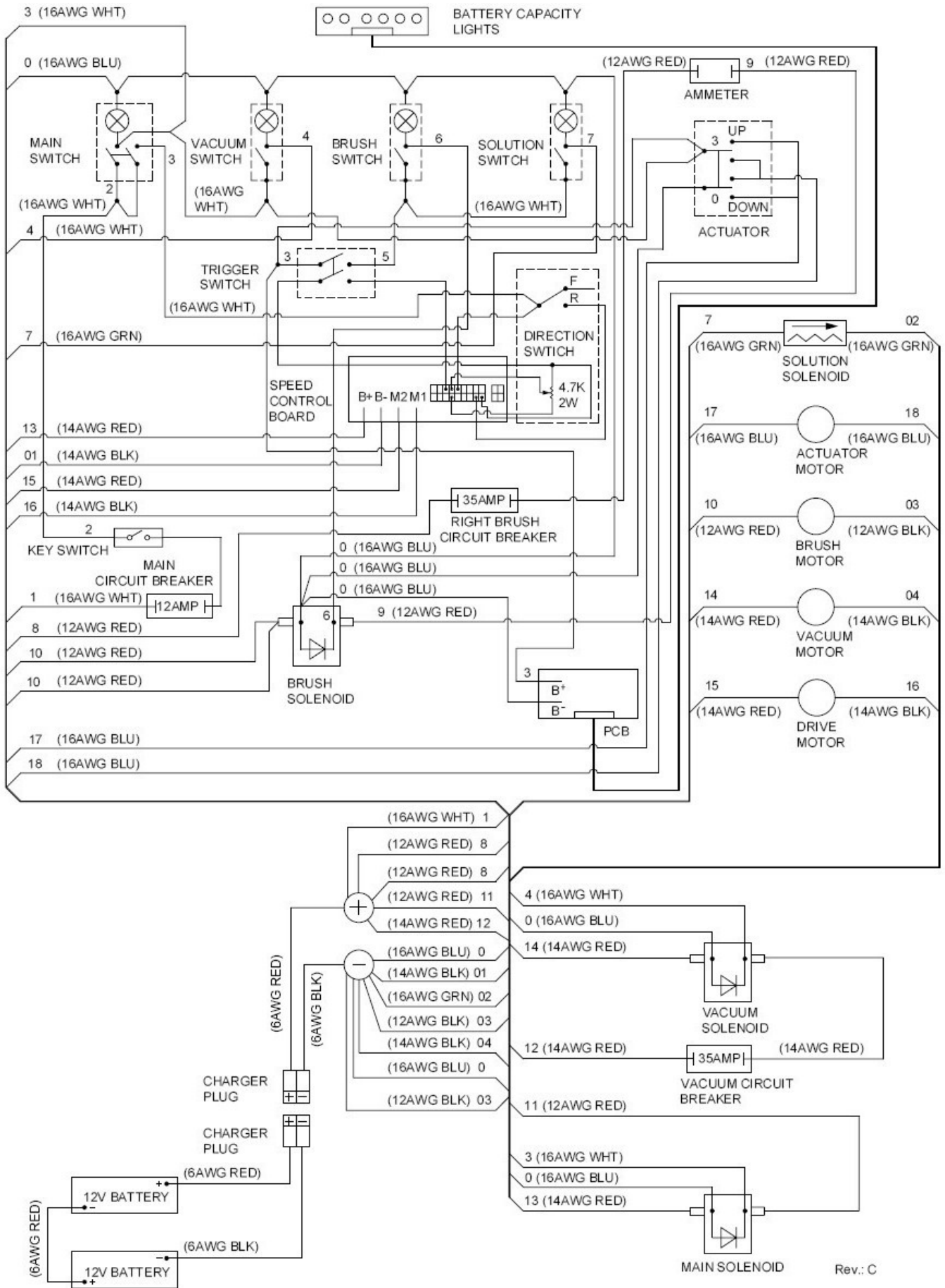
- Brosse
- Conducteur de plaquette

Pour plus amples informations concernant les accessoires optionnelles, contactez un revendeur agréé.

**CARACTÉRISTIQUES (DONNÉES) TECHNIQUES**

Modèle		<b>FANG 20HD-EU (1 brosse /support de plaquette, avec un système de conduite)</b>
Hauteur de la machine	mm	990
Solution / Capacité du réservoir d'eau propre	l	61
Capacité du réservoir de récupération d'eau	l	61
Diamètre de la roue d'avant	mm	76
Diamètre de la roue d'arrière	mm	200
Puissance du moteur du système d'aspiration	W	400
Système d'entraînement du moteur électrique	W	250
Vitesse du variateur (variable)	km/h	0 – 4.5
Pente franchissable	%	2
Niveau de pression sonore au poste de travail	dB(A)	69
Des batteries standard	Ah @ 20 h	2 x 12V/215AmP.hR
Capacité du circuit du système d'aspirateur	mm H <sub>2</sub> O	1.397
Largeur de l'aspirateur	mm	510
Largeur du balai-eponge	mm	750
Machine à longueur maximale	mm	1.350
Largeur de la machine sans le balai	mm	560
Diamètre de la brosse	mm	510
Poids sans batterie et avec réservoirs vides	kg	107
Poids maximal avec batteries et des réservoirs remplis	kg	181
Puissance du moteur de la brosse	W	560
Vitesse de la brosse	rpm	200
Brosse / pression du support de plaquette	kg	UP TO91





**SCHEMA DE CABLAGE (FANG20HD-EU )**

## SCHEMA DE CABLAGE (FANG20HD-EU )

## Colour codes

NR	Noir
BL	Bleu
VT	Vert
RG	Rouge
BLC	Blanc

1	BATTERY CAPACITY LIGHTS	LUMIÈRE DE LA CAPACITÉ DE LA BATTERIE
2	MAIN SWITCH	INTERRUPTEUR PRINCIPAL
3	VACUUM SWITCH	INTERUPTEUR A VIDE
4	BRUSH SWITCH	INTERRUPTEUR DE BROSSE
5	SOLUTION SWITCH	INTERRUPTEUR DE SOLUTION
6	AMMETER	AMPEREMETRE
7	ACTUATOR	ACTIONNEUR
8	TRIGGER SWITCH	INTERUPTEUR DE GÂCHETTE
9	SPEED CONTROL BOARD	PANNEAU DE CONTRÔLE DE LA VITESSE
10	DIRECTION SWITCH	INTERRUPTEUR DE DIRECTION
11	RIGHT BRUSH CIRCUIT BREAKER	DISJONCTEUR DE LA BROSSE DROITE
12	KEY SWITCH	INTERRUPTEUR A CLE
13	MAIN CIRCUIT BREAKER	DISJONCTEUR PRINCIPAL
14	BRUSH SOLENOID	ELECTROVANNE BROSSE
15	PCB	CARTE DE CIRCUIT IMPRIME (CCI)
16	SOLUTION SOLENOID	ELECTROVANNE DE SOLUTION
17	ACTUATOR MOTOR	ACTIONNEUR DE MOTEUR
18	BRUSH MOTOR	MOTEUR DE BROSSE
19	VACUUM MOTOR	MOTEUR DE L'ASPIRATEUR
20	DRIVE MOTOR	CONDUCTEUR DE MOTEUR
21	VACUUM SOLENOID	ELECTROVANNE ASPIRATEUR
22	VACUUM CIRCUIT BREAKER	DISJONCTEUR DE L'ASPIRATEUR
23	MAIN SOLENIOD	ELECTROVANNE PRINCIPALE
24	CHARGER PLUG	PRISE DU CHARGEUR
25	BATTERY	BATTERIE

## FONCTIONNEMENT

### AVANT DE METTRE LA MACHINE EN MARCHÉ



#### ATTENTION!

Vous allez trouver quelques plaques sur certains points de la machine qui sont des adhésives indiquants:

DANGER  
AVERTISSEMENT  
ATTENTION  
CONSULTATION

L'opérateur doit lire ce manuel attentivement et faire attention aux symboles figurant sur les plaques. Ne pas les (plaques)couvrir sous n'importe quelle raison, et remplacez les immédiatement dans le cas ou elles sont endommagées.

### INSTALLATION DE LA BATTERIE

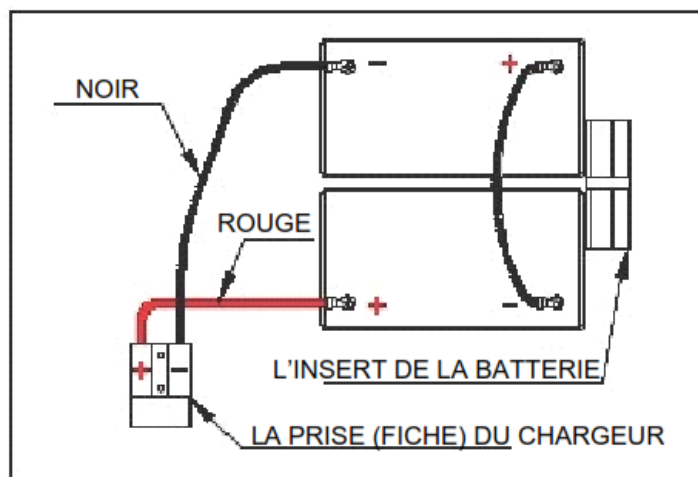


#### ATTENTION!

Les composants électriques de la machine peuvent être sérieusement endommagés si les batteries sont soit mal installées(placées) ou connectées. Les batteries doivent être placées par le personnel qualifié.

- Il faut bien mettre en place la carte de fonction électronique et le chargeur de batterie (en option) selon le type de batteries utilisées (WET(humide) ou GEL).
- Vérifiez les batteries avant l'emplacement pour éviter les dommages .
- Débranchez le connecteur et la prise du chargeur de la batterie.
- Soyez prudent en manipulant les batteries
- Placez les capuchons de protection des bornes de la batterie fournis avec la machine.

La machine nécessite deux batteries de 12 V, raccordées selon le schéma ci-dessous:



L'usine ne fournis pas de batterie avec la machine, mais les clients peuvent les acheter ,il y'a deux type de batterie(WET ou GEL).

- Achetez des batteries appropriées (voir le paragraphe des données techniques).
- Pour le choix de la batterie et l'emplacement,revenez aux revendeurs des batteries qualifiés.
- Placez la machine et le chargeur de batterie en fonction du type de batteries emplacées (WET ou GEL) comme c'est indiqué dans le paragraphe suivant:

- a) Lorsque les batteries (WET ou GEL) sont déjà bien installées et prêts à être utilisés
- Vérifiez que les batteries sont bien connectées à la machine avec la prise du chargeur.
  - Insérez la clé de contact (32) et la mettre en position de marche "on".  
Voir la couleur du LED (le voyant lumineux d'avertissement) en cas ou s'est vert (3), cela veut dire que les batteries sont prêtes à être utilisées.  
Si le voyant lumineux d'avertissement est jaune ou rouge (3), les batterie doivent être chargées (voir la procédure au chapitre Entretien).
- b) Lorsque les batteries (WET) sont placés sur la machine, mais sans électrolyte
- Ouvrez le couvercle (31) et vérifiez que le réservoir d'eau de récupération (30) est vide, sinon videz le tuyau de vidange (11).
  - Soulevez prudemment le réservoir (30).

**ATTENTION!**

Faites attention lors de l'utilisation d'acide sulfurique, car il est corrosif. Si votre peau ou vous yeux seront touche(s) par cet acid.lavez vous rapidement et consultez le médecin.

Les batteries doivent être mises dans un endroit bien ventilé. Et vous devez porter les gants de protection.

- Remplissez les cellules de la batterie avec l'acide sulfurique pour les batteries (de densité 1,27 à 1,29 kg à 25 ° C) en conformité avec les instructions affichées dans le manuel de la batterie. La quantité correcte d'acide sulfurique est indiquée dans le manuel de la batterie.
- Afin d'éviter d'endommager le sol, essuyez la tete de la batterie(la partie en haut) avec un chiffon mouile par l'acide et d'eau après la rechargement.
- Laissez le reste des batteries et remplir avec de l'acide sulfurique, conformément aux instructions figurant dans le manuel de la batterie.
- Rechargez les batteries (voir la procédure au chapitre Entretien).

**PROPRIETE DU CHARGEUR DE LA BATTERIE**

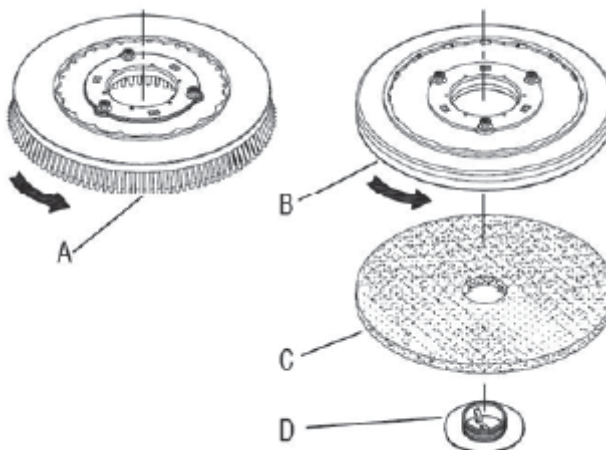
- Le chargeur est par défaut mit par l'usine en position commune pour AGM, Gel, SLA, VRLA
- Si nécessaire, utilisez la position WET seulement pour les batteries au plomb. S'il vous plaît contactez votre revendeur.

**CONTRÔLES (VERIFICATIONS) AVANT UTILISATION**

- Balayez l'extérieur de la machine
- Assurez-vous que la tension de la machine est conforme à la tension locale.
- Vérifiez que le balai-éponge est correctement monté.
- Vérifiez que la brosse /et la plaquette est correctement installée(montée).

**INSTALLATION DE PILOTE DE LA TABLETTE OU DE BROSSE**

- Assurez-vous que la machine est éteinte.
- Baissez le niveau d'hauteur de la tête de la brosse jusqu'au sol en appuyant avec le pied sur la pédale et en le poussant (le pédale) vers l'avant.
- Basculez la machine vers l'arrière pour accéder au moyeu du moteur d'entraînement



**NOTE**

Retirez l'ensemble du balai-éponge avant incliner l'appareil vers l'arrière. Cela rend le processus plus rapide et plus facile.

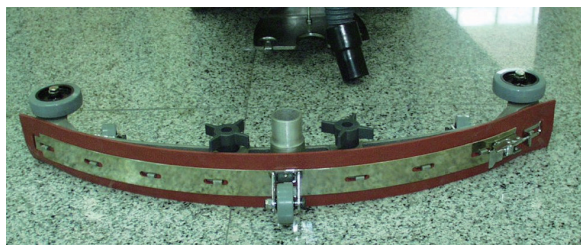
**ATTENTION!**

Ne pas laisser la machine en position inverse pendant une longue période. Cela pourrait causer une fuite d'acide de la batterie des batteries.

- Si vous utilisez un pilote de la tablette, fixez d'abord le pad correspondant à la surface d'entraînement de patin.
- Monter le moteur pad ou un pinceau sur le moyeu moteur d'entraînement en alignant les trois goujons avec les trois trous dans le moyeu du moteur d'entraînement. une fois dans les trous, faire tourner le moteur en direction de la pince à ressort pour verrouiller en place du pilote.

**MONTAGE DU BALAI-ÉPONGE**

- Tirez le levier du balai-éponge pour lever le support du balai vers le haut.
- Desserrez les deux boutons du balai et faites le glisser dans les trous à l'arrière du support. (Les roues sur le point du balai à l'arrière)
- Serrez les boutons en toute sécurité.

**REPLISSAGE DU RÉSERVOIR SOLUTION**

Les Fang 20HD-EU peut être rempli en deux endroits différents:

- a. Remplissage de la zone en avant pour une utilisation avec un tuyau ou un seau.
  - b. Remplissage de la partie(zone)arrière destiné à être utilisé avec un tuyau seulement.
- Déterminez quelle zone de remplissage vous voulez l'avoir pour remplir la machine avec de l'eau.
  - Remplissez le réservoir de solution de plus de 52 litres d'eau. (Température de l'eau ne doit pas dépasser 40 ° C). Le tube transparent au fond à gauche de la machine a des marqueurs gallon pour aider à déterminer le niveau de l'eau dans le réservoir de solution.)Juste après le dessin)

**NOTE**

Assurez-vous que le seau est propre si vous voulez se servir de lui pour remplir le réservoir de solution . Pour éviter les débris d'obstruer les lignes ou les électrovannes.

**ATTENTION!**

Afin d'éviter la provocation d'une explosion ou d'un incendie ,ne placez pas de matériaux inflammables dans le réservoir de solution. Et n'utilisez que les produits chimiques recommandés pour le nettoyage . Contactez votre distributeur de fournitures de conciergerie pour les recommandations sur les produits chimiques appropriés.

**DEMARRAGE ET ARRET DE LA MACHINE****ATTENTION!**

Ne pas utiliser la machine sans avoir lu et compris ce manuel.

- Fixez le boîtier de commande à une hauteur convenable pour un bon fonctionnement en pressant les deux leviers de pouce en meme temps (16) directement sous le boîtier.
- Baissez le niveau du montage du balai jusqu'au niveau de terre en relâchant le levier responsable de la hauteur (19) de sa position verrouillée.
- Baissez le niveau de montage de la tête de brosse a niveau terre en pressant le commutateur de la brosse (7) sur la position "ON".
- Mettez l'interrupteur principal (1) en position "ON".
- Tournez le commutateur de moteur brosse (4) en position "ON".
- Mettez le commutateur de moteur à vide (2) en marche(position "ON").
- Mettez l'interrupteur de solution (6) en position "ON".

- a. Solution ne sera pas écoulee jusqu'à ce que les déclencheurs d'exploitation soient tirés.
- Les Fang 20HD-UE sont autopropulsés. En peut changer la vitesse grace a un bouton (9) situé sur le côté droit du boîtier de commande.
  - Les Fang 20HD-UE sont en position inverse. Pour les activer en cette position, il existe un interrupteur à basculer (18) situé sur le côté gauche du boîtier de commande.
  - Pour commencer le lavage, tirez l'une des déclencheurs d'exploitation rouges (21). Lorsque ces déclencheurs sont tirés, la brosse sera en marche. Tournez et la solution commence à s'écouler. FANG20HD-UE: va se propulser. FANG20HD-UE: commence le brossage en déplaçant la machine vers l'avant.

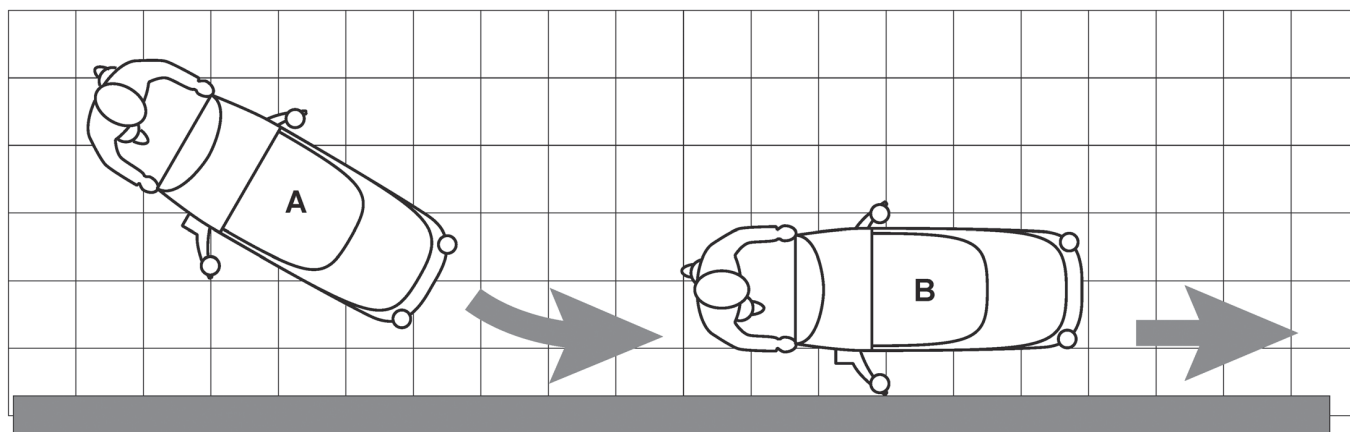
**AVERTISSEMENT!**

Ne pas laisser la machine dans la même position avec le filage tampon / brosse, sinon vous allez endommager le sol.

- Ajustez la quantité d'écoulement de la solution en basculant le bouton de réglage de solution (8). Tournez le à droite pour plus de solution, ou tournez le à gauche pour moins de solution.

**NOTE**

Pour un bon lavage / séchage des sols dans les côtés des murs, Viper suggère d'aller près des murs grace au côté droit de la machine comme c'est indiqué.

**ATTENTION!**

Afin d'éviter d'endommager la surface du sol, mettez la brosse a l'arrêt / le support de plaquette quand la machine s'arrête a un seul endroit, surtout lorsque la fonction de pression supplémentaire est activée.

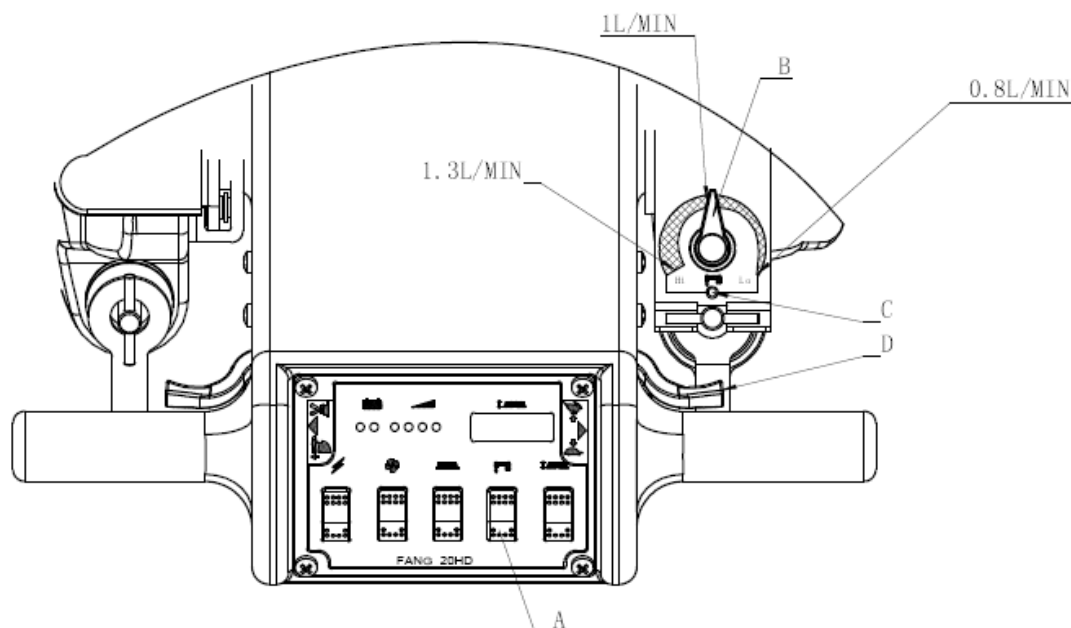
**RÉGLAGE DE DÉBI DE SOLUTION**

- Mettez le commutateur de solution (A) en position "ON".
- Ajustez la quantité d'écoulement de la solution en tournant le bouton de commande de la solution (B), tournez à gauche (sens antihoraire) pour plus de solution, ou Tournez à droite (sens horaire) pour moins de solution. La broche (C) est la position limite du bouton de commande de la solution (B).

**NOTE**

Même si vous mettez l'interrupteur de la solution (A) en position "on", la solution ne s'écoulera pas jusqu'à ce que les déclencheurs de fonctionnement (D) seront tirés.





## LE DECHARGEMENT DE LA BATTERIE PENDANT LE FONCTIONNEMENT

Du moment que le voyant lumineux(LED)est vert (3) la machine reste en marche,car les batteries sont chargées et elles permettent à la machine de fonctionner normalement.

Lorsque la couleur change du vert (3) en jaune (3) , il est conseillé de recharger les batteries, car l'autonomie résiduelle va durer juste quelques minutes (en fonction des caractéristiques de la batterie et le travail à effectuer).

Si le voyant lumineux est rouge (3) , l'autonomie est terminée, Et après quelques secondes, la brosse /le support de la plaque syntonise automatiquement hors tension,tandis que le système à vide et le système d'entraînement restent en marche, pour finir de sécher le sol et la machine à entraîner la recharge désigné a la zone.



### ATTENTION!

Afin d'éviter d'endommager les batteries et de réduire la durée de vie de la batterie,n' utilisez pas la machine avec des batteries déchargées.

## LORS DU FONCTIONNEMENT DE LA MACHINE

- De temps en temps regarder à travers le couvercle du réservoir de récupération transparent pour voir s'il ya une accumulation de mousse. En cas d'excès de mousse , ajoutez antimousse pour le réservoir de récupération.



### ATTENTION!

La mousse ne doit pas entrer dans le flotteur de mise hors tension de l'écran car ca peut causer des dommages qui peuvent survenir sur le moteur d'aspiration. La mousse n'active pas le dispositif des machines flotteur d'arrêt.

- De temps en temps voir le tube transparent à l'arrière gauche de la machine pour vérifier la quantité de solution de nettoyage qui reste dans la machine.
- Vérifiez de temps en temps le compteur de niveau de batterie (3). Lorsque le compteur est dans le rouge, rechargez les batteries.



### ATTENTION!

Lorsque le compteur de la batterie est dans le rouge, ne pas continuer à utiliser la machine, afin de ne pas endommager la batterie .

- Si le racloir laisse des rayures sur le sol, relever la raclette sur le sol et essuyer les lames avec un chiffon humide.



### ATTENTION!

N'utilisez pas vos doigts pour effacer ou enlever les débris sur les pales, car des blessures peuvent survenir.

- Lorsque le réservoir de solution est vide, éteignez l'interrupteur de la brosse, et celui de la solution et élever la tête de

brosse. Gardez le balai vers le bas et continuez à aspirer jusqu'à ce que toute l'eau sale est ramassé. (Voir la section VIDANGE DU RÉSERVOIR apprendre à vider les réservoirs de récupération et de solution).



## NOTE

Le moteur de la brosse est protégé avec un disjoncteur pour le protéger contre les dommages. Si ce disjoncteur déclenche, il ne peut pas être remis à zéro immédiatement. Vous devez d'abord déterminer ce qui a causé le déclenchement du disjoncteur, et laissez le moteur refroidir avant de pouvoir fixer le disjoncteur.

## VIDANGE DU RÉSERVOIR

- Eteignez la machine.
- Avec le balai et la tête de brosse dans la position "haute", transportez la machine dans un endroit approuvé pour vidange du réservoir (s).

## VIDANGE DU RÉSERVOIR DE RECUPERATION (SAL)



## NOTE

A n'importe quel moment que le lavage est terminé, ou lors du remplissage du réservoir de solution, le réservoir de récupération doit être vidé et nettoyé.



## ATTENTION!

Si le réservoir de récupération n'est pas évacuée lorsque le réservoir de solution a été rempli de mousse ou de l'eau peut pénétrer dans le flotteur mécanisme de fermeture et d'endommager le moteur d'aspiration.

- Retirer le tuyau de vidange du titulaire, et placez le tuyau de vidange dans le caniveau. Dévissez le bouchon du tuyau de vidange pour commencer le processus de drainage. Afin de vider complètement le réservoir de récupération, charnière ouvre le réservoir de récupération et laissez-le reposer sur le support.
- Nettoyer le réservoir de récupération après chaque utilisation. Utilisez un tuyau d'eau fraîche pour rincer le réservoir de récupération. Veillez à ne pas pulvériser de l'eau dans le flotteur mécanisme d'arrêt.



## NOTE

Si vous stockez l'appareil pendant un certain temps, laissez toujours le couvercle du réservoir de récupération claire le réservoir de sorte que le réservoir peut sécher complètement et une odeur fraîche.

- Remplacez le bouchon du tuyau de vidange hermétiquement dès que vous avez fini de vider la cuve.

## VIDER LE RÉSERVOIR DU SOLUTION (CLEAN)



## NOTE

Toute opération de nettoyage de temps est terminé, le réservoir de solution doit être vidé et nettoyé.

- Tirez sur le tube transparent (arrière gauche de la machine) pour le supprimer de la cannelé. Cela permettra à la solution de s'écouler librement dans un seau ou un drain de plancher.
- Rincez le réservoir de solution avec de l'eau propre après chaque utilisation. Cela aidera à prévenir l'accumulation de produits chimiques et de colmatage des conduites de solution.
- Avec de l'eau propre dans le réservoir de solution, mettez la machine, le commutateur de solution en position «on» et tirez , le fonctionnement déclenche. Cela permettra à l'eau propre de s'écouler ,afin de rincer et nettoyer la solution du plomberie .
- Une fois que le réservoir est rincé, rincé et égoutté, rebranchez le tube transparent à celui de barbillon. Assurez-vous que le tube est enfoncé à fond sur le raccord cannelé.

## CHARGEMENT DE LA BATTERIE



## NOTE

Pour un meilleur rendement machine, garder les batteries chargées à tout moment. Ne les laissez pas dans un état déchargé.



## NOTE

Si la machine a un chargeur de batterie en option est installé, la machine ne peut pas fonctionner si le chargeur n'est pas à bord. En cas de dysfonctionnement chargeur de batterie, contactez un centre de service agréé.

**ATTENTION!**

Utilisez uniquement des chargeurs approuvés avec les spécifications suivantes:

- Arrêt automatique hors circuit
- Le cycle de Deep charge
- Le courant de sortie de 10-20 ampères
- Tension de sortie de 24 volts

**ATTENTION!**

Les batteries sont dangereuses! Les batteries dégagent de l'hydrogène et une explosion ou un incendie peut en résulter. Gardez les étincelles et feu loin à partir de piles à tout moment. Lorsque la charge de la machine, assurez-vous que le compartiment de la batterie est laissée ouvert.



- Mettez la charge et la machine dans un endroit bien aéré.
- Éteignez la machine.
- Réservoir de récupération ouvert, exposant compartiment de la batterie.
- Vérifiez le niveau du liquide dans chaque cellule de la batterie. Ne chargez pas de batteries à moins fluide est légèrement couvrant les plaques de la batterie. Ne surchargez pas le frappeurs. Un remplissage excessif pourrait amener la pile à déborder pendant la charge due à la dilatation. Remettez les bouchons avant la charge.
- Branchez le chargeur approuvé dans le mur à la terre avant de le brancher sur laisser le chargeur dans la machine.
- Branchez le chargeur dans la prise du chargeur rouge situé à l'avant gauche du compartiment de la batterie.
- Relevez le bac de récupération "Kick stand" et poser délicatement le réservoir de récupération jusqu'à ce qu'il repose sur le socle.
- Le chargeur de batterie commence automatiquement à recharger les batteries, et il s'éteint automatiquement lorsque les batteries sont entièrement chargée.
- À la fin du chargement, débranchez d'abord le chargeur de la prise murale, puis débranchez le chargeur de la machine.
- Vérifiez le niveau de la batterie une fois la charge terminée. Si le niveau de liquide est bas, ajouter de l'eau distillée pour porter le niveau du liquide jusqu'au fond de les tubes de visée. Remplacez les bouchons et essuyez les piles vers le bas avec une serviette.

**ENTRETIEN**

Pour garder la machine fonctionne bien depuis de nombreuses années, s'il vous plaît suivre les procédures d'entretien suivantes.

**ATTENTION!**

Toujours s'assurer que la machine est éteinte et que le câble de batterie est débranché avant d'effectuer tout entretien ou de réparation.

**ENTRETIEN QUOTIDIEN**

- Supprimez le pilote de pavé / brosse et nettoyer avec un nettoyant approuvé.
- Vidanger les réservoirs de récupération et de solution complètement et rincer à l'eau claire. Contrôler visuellement le réservoir de récupération des débris et nettoyer selon les besoins.

- Augmentez racloir hors sol et l'essuyer avec une serviette humide. Veillez à ranger la raclette en position haute.
- Enlevez le flotteur d'arrêt d'assemblage et de le rincer à l'eau claire.
- Nettoyez la machine avec un nettoyant approuvé et une serviette humide. Ne pulvérisiez pas d'eau pour nettoyer l'extérieur de la machine pour éviter tout dommage au moteur et le câblage.
- Rechargez les batteries.



### ENTRETIEN HEBDOMADAIRE

- Vérifiez le niveau du liquide dans les batteries.
- Vérifiez les batteries pour les câbles lâches ou corrodés.
- Gardez la batterie propres sommets de la corrosion.

### ENTRETIEN MENSUEL

- Vérifiez la machine pour éviter les fuites et les fixations desserrées.
- Lubrifier tous les points de graissage et les points de pivot avec le silicium par pulvérisation et la graisse approuvée.
- Placer la machine sur un drain de plancher. Rincer le circuit de solution en versant 10 litres d'eau chaude et de détergent alcalin approuvé dans le réservoir de solution et le fonctionnement de la machine (avec solution de contrôle sur) pendant 45 secondes. Éteindre la machine et laissez reposer toute la nuit. puis ensuite jour, vidanger le reste de la solution et rincer le réservoir de solution avec de l'eau propre.

### NETTOYAGE DU FILTRE DU MOTEUR D'ASPIRATEUR

- Amenez la machine sur un sol plat.
- Tournez la clé de contact (32) sur "OFF".
- Ouvrez le réservoir d'eau de récupération.
- Si nécessaire, vider l'eau de la citerne afin de rendre visible filtre.
- Vérifiez que le pré-filtre est propre. Si nécessaire, le laver avec de l'eau et de l'air comprimé, puis l'installer.
- Exécutez l'étape 1, 2 et 3 dans l'ordre inverse.

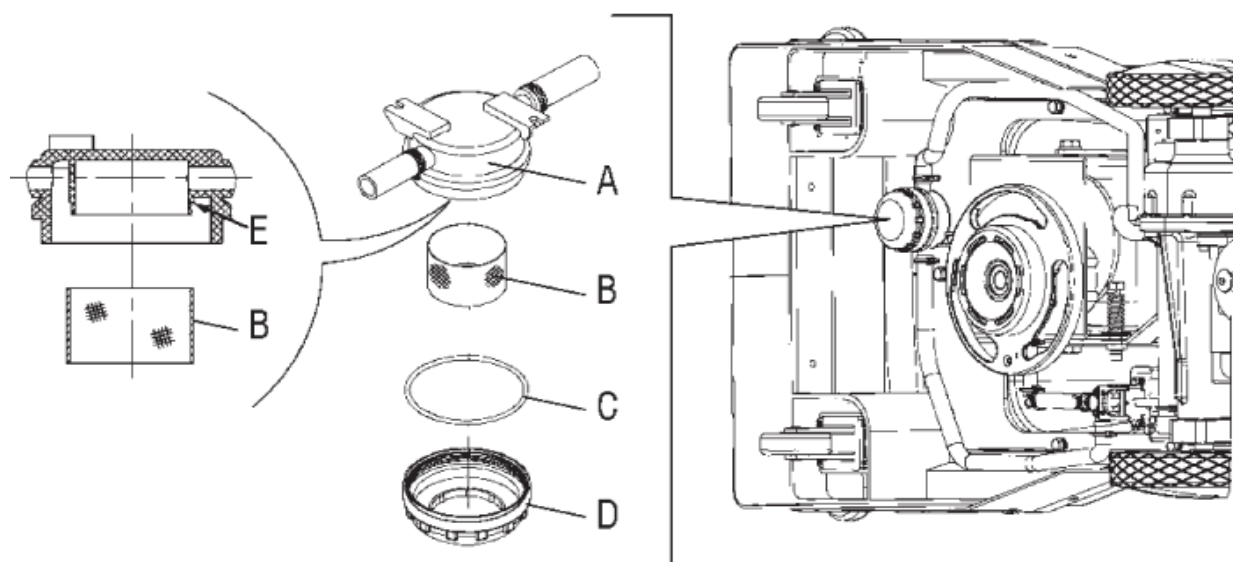
### SOLUTION / NETTOYAGE FILTRE D'EAU PROPRE DE NETTOYAGE

- Amenez la machine sur un sol plat.
- Tournez la clé de contact (32) sur "OFF".
- Enlevez le couvercle transparent (D) (la position du filtre à eau est sous la machine), puis retirez le filtre à tamis (B). Nettoyez et les installer sur le support (A).



#### NOTE

Le tamis filtrant (B) doit être correctement positionné sur le boîtier (E) du support (A).

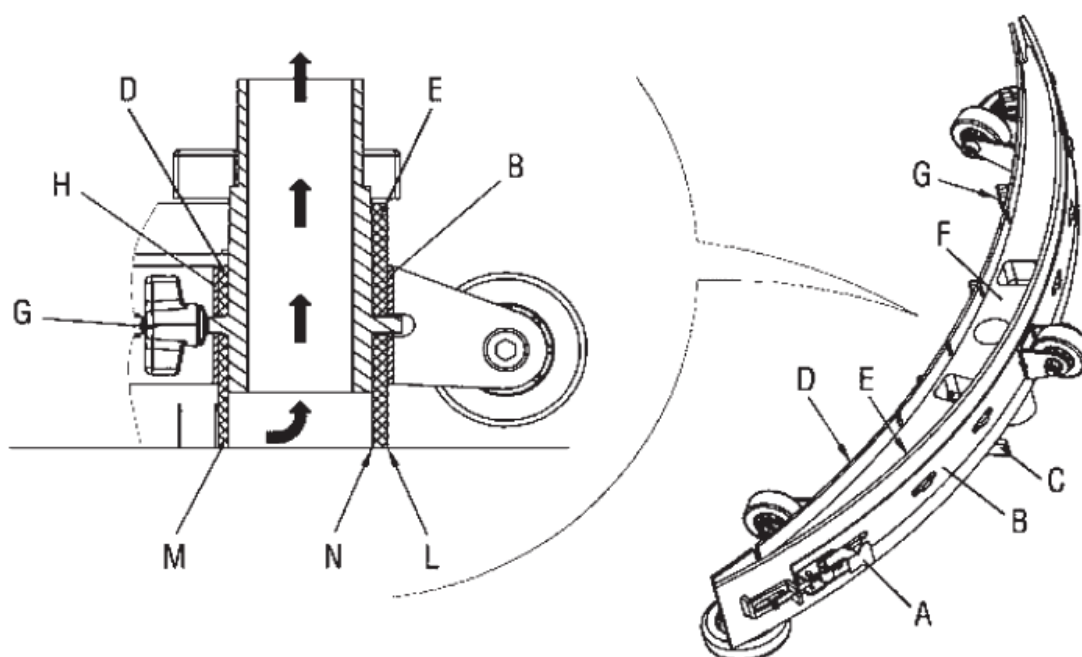


### VERIFICATION DE LA LAME DU BALAI \_EPONGE ET REMPLACEMENT

- Nettoyer la raclette comme le montre dans le paragraphe précédent.
- Vérifiez que le bord (M) de la lame d'avant (D) et le bord (L) de la lame d'arrière (E) s'allongea sur le même niveau sur toute leur longueur; sinon réglez leur hauteur selon la procédure suivante:
  - Dégager les dispositifs de retenue (A) pour régler la lame arrière (E), puis engager les dispositifs de retenue.
  - Desserrer les manivelles (G) et régler la lame avant (D), puis serrer les manivelles.
- Vérifiez que la lame avant (D) et la lame arrière (E) pour l'intégrité, coupures et aux déchirures, remplacez-les si nécessaire comme indiqué ci-dessous. Vérifiez que l'angle avant (N) de la lame arrière n'est pas usé, sinon reversez la lame à remplacer le coin usé avec un une seule pièce.
  - Si les autres coins sont usés aussi remplacer la lame selon la procédure suivante:
    - Dégager les dispositifs de retenue (A) et enlevez la bande de retenue (B), puis remplacer / reversez la lame arrière (E). Installez la lame dans l'ordre inverse de la dépose.
    - Dévissez les molettes (G) et enlevez la bande de retenue (H), puis remplacez la lame avant (D). Installez la lame dans l'ordre inverse de depot.

Après le remplacement de la lame (ou le renversement), régler la hauteur comme indiqué dans l'étape précédente.

- Raccordez le tuyau d'aspiration (33) du balai.
- Installez la raclette (13) et visser à fond les manivelles (34).





**ATTENTION!**

Risque de coupure.

Il est conseillé de porter des gants de protection pendant le nettoyage de la brosse / plateau, car il peut y avoir débris tranchants.

- Retirez la brosse / plaquette de la machine, comme c'est indiqué dans le chapitre Utilisation.
- Nettoyer et laver la brosse / plateau avec de l'eau et du détergent.
- Vérifiez que la brosse / plateau est solide et pas trop usé, sinon remplacez le.

**DEPANNAGE**

PROBLEME	CAUSE	SOLUTION
Pas d'alimentation	Mauvaise batterie	Remplacer les batteries
	Les Batterie à être chargée	Charger les batteries (voir le chargement de la batterie)
	Câble de la batterie lâche	Serrer les câble lâche
	Les batteries non connectées correctement	Suivre les instructions de l'installation de la batterie
Le moteur de la brosse ne fonctionne pas	Mauvais interrupteur de la brosse	Contacteur le distributeur de Viper
	Le disjoncteur de la brosse s'est déclenché	Check brush motor for obstructions and reset breaker
	Le rectificateur a brulé/le redresseur s'est usé	Contacteur le distributeur de Viper
	Mauvais branchement de Câble	Contacteur le distributeur de Viper
	Mauvais moteur de la brosse	Contacteur le distributeur de Viper
	Les charbons de la brosse sont usés	Contacteur le distributeur de Viper
Le moteur de l'aspirateur ne fonctionne pas	Mauvais interrupteur de l'aspirateur	Contacteur le distributeur de Viper
	Mauvais branchement de Câble	Contacteur le distributeur de Viper
	Mauvais moteur de l'aspirateur	Contacteur le distributeur de Viper
	Les charbons de la brosse sont usés	Contacteur le distributeur de Viper
Temps de fonctionnement court	Les batteries ont besoin d'être chargées	Charger les batteries (voir le chargement de la batterie)
	Les batteries ont besoin d'entretien	voir l'entretien de la batterie dans ce manuel
	Mauvais élément dans la batterie	Remplacer les batteries
	Mauvais chargeur	Remplacer le chargeur
Un peu ou pas de débit de la solution	Mauvais interrupteur de solution	Contacteur le distributeur de Viper
	L'Électrovanne de la solution bouche	Contacteur le distributeur de Viper
	Le filtre de la solution bouche	Enlever le filtre et nettoyer
	La ligne de la solution bouchée	Enlever la ligne de la solution et nettoyer
	Le bouton du débit de la solution besoin d'être réglé	Augmenter le débit du réglage de la solution en tournant le bouton vers la droite. Diminuer le débit de réglage de la solution en tournant le bouton vers la gauche.
Mauvaise ramasse d'eau	Balaisé	Nettoyer les débris de la raclette avec une serviette humide
	Les lames de la raclette usées	Installer nouvelles lames de la raclette
	Le balai n'est pas correctement monté	Vérifiez que l'assemblage du balai-éponge est solidement fixé à la machine et ne lâche pas.
	Les tuyaux de l'aspirateur ont un trou ou sont desserrés	Contrôlez les raccords et vérifiez qu'ils soient fermes. Remplacer le tuyau s'il est endommagé.



PROBLEME	CAUSE	SOLUTION
	Le tuyau de l'aspirateur peut être bouché	Vérifiez les débris du tuyau et enlever toute obstruction
	Le bouchon du tuyau de vidange est desserré	Serrer le bouchon de vidange.
	Les batteries ont besoin d'être chargées	Charger les batteries (voir le chargement de la batterie)
	Le moteur de l'aspirateur est desserré	Serrezles vis du fixation du moteur. Ne serrez pas trop ou des dégâts vont se produire.
	Le couvercle du réservoir de récupération est lâche	Confirmez que le réservoir de récupération transparent est bien en place
	Le trou d'entrée du reservoir de recuperation est bouché	Videz le réservoir et le réservoir d'inclinaison sur le cote ,verife le trou d'entrée des débris et enlevez les débris.
	Le couvercle de récupération est rempli.	Videz le couvercle de récupération.
	Le flotteur d'arrêt est bouché	Retirer le flotteur coupé de réservoir de récupération à l'intérieur et enlever tous les débris.

## STOCKAGE



### ATTENTION!

Si vous gardez la machine dans un endroit qui peut geler, vérifiez que les deux réservoirs et la tuyauterie de solution sont vides d'eau et à sec!

- Rangez l'appareil dans un endroit sec, à l'abri du gel.
- La température du stockage de la machine doit être comprise entre 0 ° C et +40 ° C.
- Gardez toujours les machines à l'intérieur.
- Toujours enlever le tampon du conducteur / brosse
- Rangez toujours la machine avec l'ensemble de la raclette soulevée du sol.
- Si vous rangez dans une zone qui peut atteindre des températures de congélation, assurez-vous de vidanger tous les liquides de la machine avant de l'arranger. Les dégâts causés par le gel ne sont pas couverts par la garantie.
- Videz le réservoir de récupération et enlevez le clair sur le dessus du réservoir de récupération afin qu'il "respire" pendant le rangement.
- Videz le réservoir de solution de tout fluide.

## RECYCLAGE DU FILTRE

Faire immédiatement le vieux nettoyage inutilisable:

- Retirez les piles(batteries)
- Ne jetez pas les appareils électriques dans les ordures ménagères.




Comme spécifié dans la directive européenne 2002/96/CE sur les anciens appareils électriques et électroniques, les produits électriques utilisés doivent être collectés séparément et recyclés écologiquement. Contactez les autorités locales ou votre revendeur pour plus d'informations.

**INHOUDS OPGAVE**

INTRODUCTIE.....	71
HANDLEIDING DOEL EN INHOUD.....	71
DOEL.....	71
HOE DEZE HANDLEIDING TE BEWAREN.....	71
VERKLARING VAN OVEREENSTEMMING.....	71
IDENTIFICATIEGEGEVENS.....	71
ANDERE GEBRUIKERSHANDLEIDINGEN.....	71
ONDERDELEN EN ONDERHOUD.....	71
WIJZIGINGEN EN VERBETERINGEN.....	71
DOELSTELLING EN BESTEMMING.....	71
OVEREENKOMSTEN.....	72
HET UITPAKKEN / LEVERING.....	72
VEILIGHEID.....	72
SYMBOLEN DIE WORDEN GEBRUIKT OM INSTRUCTIES TE MARKEREN.....	72
ALGEMENE INSTRUCTIES.....	73
BESCHRIJVING VAN DE MACHINE.....	76
MACHINE STRUCTUUR.....	76
ACCESSOIRES / OPTIES.....	77
BEDRADINGSHEMA VOOR FANG 20HD-EU.....	79
WERKING.....	80
VOORDAT DE MACHINE WORDT GESTART.....	80
TIJDENS HET BEDIENEN VAN DE MACHINE.....	83
ONDERHOUD.....	85
DAGELIJKS ONDERHOUD.....	86
WEKELIJKS ONDERHOUD.....	86
MAANDELIJKS ONDERHOUD.....	86
VACUUM SYSTEEM MOTOR FILTER REINIGING.....	86
OPLOSSING / SCHOON WATER FILTER REINIGING.....	86
SQUEEGEE MES CONTROLE EN VERVANGING.....	87
BORSTEL / PAD REINIGING.....	87
PROBLEMEN OPLOSSEN.....	88
OPSLAG.....	89
RECYCLAGE VAN HET REINIGER.....	89

## INTRODUCTIE

	<p><b>OPMERKING</b> De getallen tussen haakjes verwijzen naar componenten zoals weergegeven in hoofdstuk Machine Beschrijving.</p>
---	--

## HANDLEIDING DOEL EN INHOUD

Het doel van deze handleiding is om de gebruiker te voorzien van alle nodige informatie om de machine goed te gebruiken, op een veilige en autonome manier. Het bevat informatie over technische gegevens, veiligheid, bediening, opslag, onderhoud, onderdelen en verwijdering. Voordat u een procedure op het apparaat, moet de operators en gekwalificeerde technici Lees deze handleiding zorgvuldig door. Contact Viper in geval van twijfel over de interpretatie van de instructies en voor verdere informatie.

### DOEL

Deze handleiding is bedoeld voor operators en technici bevoegd zijn om de machine onderhoud uit te voeren.


De exploitanten moeten niet uitvoeren procedures gereserveerd voor gekwalificeerde technici. Viper zal niet instaan voor schade die uit de niet-naleving van dit verbod.

### HOE DEZE HANDLEIDING TE BEWAREN

De gebruikershandleiding moet worden bewaard in de buurt van de machine in een geschikte envelop, uit de buurt van vloeistoffen en andere stoffen die schade kunnen veroorzaken.

### VERKLARING VAN OVEREENSTEMMING

De verklaring van overeenstemming, bij de machine geleverd, verklaart de machine conform de wet van kracht.

	<p><b>OPMERKING</b> Twee kopieën van de oorspronkelijke verklaring van overeenstemming zijn verstrekt samen met de machine documentatie. De CE-verklaring wordt afgedrukt in de Snelstartgids.</p>
---	--

## IDENTIFICATIEGEGEVENS

De machine model en serienummer zijn aangegeven op de plaat.

Deze informatie is nuttig wanneer machine onderdelen zijn vereist. Gebruik de volgende tabel om de identificatiegegevens van de machine te noteren.

machine model .....
machine serienummer .....

## ANDERE GEbruikersHANDLEIDINGEN

- Servicehandboek (kan worden geraadpleegd op Viper Service Centers)
- Lijst met reserveonderdelen (zie [www.vipercleaning.eu](http://www.vipercleaning.eu))

## ONDERDELEN EN ONDERHOUD

Alle noodzakelijke bedienings-, onderhouds- en reparatiewerkzaamheden procedures moeten worden uitgevoerd door gekwalificeerd personeel of door Viper Dienst Centers. Er mogen alleen originele vervangingsonderdelen en accessoires worden gebruikt. Contact Viper voor onderhoud of om reserveonderdelen en accessoires te bestellen, door het model en het serienummer.

## WIJZIGINGEN EN VERBETERINGEN

Viper verbetert voortdurend haar producten en behoudt zich het recht voor om veranderingen en verbeteringen naar eigen goeddunken te maken zonder verplicht te zijn deze voordelen toe te passen op de machines die eerder zijn verkocht. Elke wijziging en / of toevoeging van accessoires moeten worden goedgekeurd en worden uitgevoerd door Viper.

## DOELSTELLING EN BESTEMMING

Alle automatische reiniging machines zijn uitsluitend bestemd voor de natte reiniging van waterbestendige vloerbedekking in gebouw interieurs.

De automatische reiniging machines kunnen niet worden gebruikt voor tapijt en tapijt reinigen.

Dit apparaat is geschikt voor commercieel gebruik, bijvoorbeeld in hotels, scholen, ziekenhuizen, fabrieken, winkels, kantoren en verhuur bedrijven.

Elk ander gebruik wordt beschouwd als oneigenlijk gebruik. De fabrikant aanvaardt geen enkele aansprakelijkheid voor eventuele schade als gevolg van dergelijk gebruik. Het risico voor dergelijk gebruik worden uitsluitend gedragen door de gebruiker.

Correct gebruik omvat ook een goede werking, onderhoud en reparatie, zoals gespecificeerd door de fabrikant.

Wijzigingen in de automatische machines door de gebruikers zelf, sluiten de aansprakelijkheid van de fabrikant voor eventuele schade uit.

Vloerbedekkingen worden gecontroleerd op de geschiktheid van deze reinigingsmethode voor het gebruik van de machine!

Let op de vlaktedruk bij puntelastische vloeren, bijv. in sportzalen! De fabrikant aanvaardt geen aansprakelijkheid voor schade aan de machine en de vloerbedekking die wordt gereinigd veroorzaakt door het gebruik van de verkeerde borstels en schoonmaakmiddelen.

**OVEREENKOMSTEN**

Vooruit, achteruit, voor, achter, links of rechts en omhoog zijn bedoeld met betrekking tot de positie van de bestuurder, dat wil zeggen in de werkstand.

**HET UITPAKKEN / LEVERING**

Om de machine uit te pakken, zorgvuldig de instructies op de verpakking volgen.

Wanneer de machine wordt geleverd, controleer of de verpakking en de machine niet zijn beschadigd tijdens het transport. In het geval van zichtbare schade, houd de verpakking en laten nakijken door de vervoerder. Bel onmiddellijk naar de vervoerder om een schadeclaim in te vullen.

Controleer de inhoud van de verpakking om ervoor te zorgen dat de volgende onderdelen aanwezig zijn:




- machine
- zuigmond
- borstel bestuurder (en pad bestuurder)

**VEILIGHEID**

De volgende symbolen geven potentieel gevaarlijke situaties aan. Lees altijd zorgvuldig deze informatie en neem alle nodige voorzorgsmaatregelen om personen en goederen te beschermen.

De bediener zijn samenwerking is van essentieel belang om letsel te voorkomen. Geen enkel programma voor ongevallenpreventie is effectief zonder de volledige medewerking van de persoon die verantwoordelijk is voor de werking van de machine. Het merendeel van de ongevallen die zich kunnen voordoen is in een fabriek, op de werkvloer of door het rond bewegen, worden veroorzaakt door het niet naleven van de eenvoudigste regels voor de uitoefening van voorzichtigheid. Een oplettende en voorzichtige bediener is de beste garantie tegen ongevallen en is essentieel voor het succesvol afronden van een preventieprogramma.

**SYMBOLLEN DIE WORDEN GEBRUIKT OM INSTRUCTIES TE MARKEREN**

	<p><b>GEVAAR!</b> Gevaar dat direct leidt tot ernstige of onomkeerbare verwondingen of zelfs de dood.</p>
	<p><b>WAARSCHUWING!</b> Gevaar dat kan leiden tot ernstige verwondingen of zelfs de dood.</p>
	<p><b>LET OP!</b> Gevaar dat kan leiden tot lichte verwondingen en schade.</p>

**OPMERKING**

Geeft een opmerking met betrekking tot belangrijke of nuttige functies.

**ALGEMENE INSTRUCTIES**

Specifieke waarschuwingen en voorzorgsmaatregelen om te informeren over mogelijke schade aan mensen en de machine worden hieronder weergegeven.

Het apparaat moet:

- alleen gebruikt worden door personen die zijn geïnstrueerd het correct te gebruiken en uitdrukkelijk de opdracht met de taak om in gebruik te nemen
- alleen worden bediend onder toezicht
- niet worden gebruikt door kinderen

De werkplek is achter de reiniger.

Gebruik geen onveilige werk-technieken.

De reiniger altijd begeleiden met beide handen op het handvat.

Wanneer de zuiger stil staat, schakel de borsteleenheid direct uit om schade aan de vloerbedekking te vermijden.

Schakel het apparaat uit en ontkoppel de accu stekker in de volgende situaties:

- Voor het reinigen en onderhouden
- Voor het vervangen van onderdelen
- Voor het veranderen over het apparaat

Het gebruik van de reiniger is onderworpen aan de geldende nationale voorschriften. Naast de gebruiksaanwijzing en bindende voorschriften voor ongevallenpreventie geldig in het land van gebruik in acht erkende voorschriften voor een veilige en correcte werk.

**TRANSPORT**

Bij het transporteren van de reiniger in de lift

- Acht de huidige veiligheidsvoorschriften, met name met betrekking tot de draagkracht.

**WERKING**

Om ongeautoriseerd gebruik van het apparaat te voorkomen, moet de voedingsbron worden uitgeschakeld of vergrendeld, bijvoorbeeld door het verwijderen van de sleutel van de schakelaar.

Neem alle nodige voorzorgsmaatregelen om haar, sieraden en losse kleding te voorkomen dat kan worden opgevangen door de machine bewegende delen.

Alvorens de machine in gebruik te nemen, sluit alle deuren en / of deksels.

De machine werktemperatuur moet zijn tussen de 0 ° C en +40 ° C.

De vochtigheid moet zijn tussen 30% en 95%.

Gebruik de machine niet als vervoermiddel.

In geval van brand, gebruik een poeder brandblusser, geen water.

Knoei niet met de machineveiligheid bewakers en volg de gewone onderhoudsinstructies.

Zorg dat er geen objecten gaan in de openingen. Gebruik de machine niet als de openingen zijn verstopt. Houd de openingen vrij van stof, haren en ander vreemde materialen die de luchtstroom kunnen verminderen.

Verwijder of wijzig de platen niet die zijn aangebracht op de machine.

Indien de machine volgens de instructies wordt gebruikt zijn de trillingen niet gevaarlijk.

De machine trillingsniveau is minder dan 2,5 m/ s<sup>2</sup> (98/37/EEC-EN 1033/1995).

De Hand / arm trillingen blijven ver onder 2,5 m/ s<sup>2</sup> (gemeten volgens ISO 5349), dat is de limiet voor een 8 uur durende ononderbroken werk periode.

Deze machine mag niet worden gebruikt op wegen of openbare straten.

Viper machines kunnen worden gebruikt in combinatie met standaard detergentia die het materiaal van Viper machines niet beschadigen (geen gebruik van oplosmiddelen of andere agressieve vloeistof materialen). Viper betaalt geen vorderingen met betrekking tot het gebruik van agressieve detergenten in Viper machines. Als u een speciaal wasmiddel nodig hebt voor de reiniging, neem dan contact op met uw Viper dealer.

Let er op machinetransport wanneer de temperatuur onder het vriespunt is. Het water in de tank of in de slangen kunnen bevriezen en ernstige schade aan de machine richten.

**ONDERHOUD**

Om correct en veilig machine gebruik te garanderen, de geplande onderhoudswerkzaamheden die in het desbetreffende hoofdstuk van deze handleiding zijn aangegeven, moeten uitgevoerd worden door bevoegd personeel of door Viper Service Center.

Lees alle instructies aandachtig voordat u onderhoud / reparatie werkzaamheden pleegt.

Werk nooit onder een omhoog gebrachte machine zonder ondersteuning met de veiligheid stands.

Gebruik de machine niet met directe of druk waterstralen, of met bijtende stoffen.

**GARANTIE**


Onze algemene voorwaarden van het bedrijfsleven zijn van toepassing met betrekking tot de garantie.


Eigenmachtige veranderingen aan het apparaat, het gebruik van onjuiste borstels en schoonmaakmiddelen in aanvulling op het gebruik van het apparaat op een andere wijze dan voor het beoogde doel, wordt de fabrikant vrijgesteld van elke aansprakelijkheid voor de daaruit voortvloeiende schade.

**TESTS EN GOEDKEURINGEN**

Elektrische proeven moeten worden uitgevoerd in overeenstemming met de bepalingen van de veiligheidsvoorschriften (BGV A3) en DIN VDE 0701 deel 1 en deel 3. In overeenstemming met DIN VDE 0702 deze proeven moeten worden uitgevoerd met regelmatig tussenpozen en na reparaties of wijzigingen.

**ELEKTRISCHE COMPONENTEN**


	<p><b>GEVAAR</b> Batterijen. Gevaar voor explosie.</p> <ul style="list-style-type: none"> <li>➤ opladen van de accu zeer explosieve waterstofgas. Houd de tank montage open tijdens opladen van de batterij en het uitvoeren van deze procedure in een goed geventileerde ruimte en uit de buurt van open vuur.</li> <li>➤ Om het risico van brand, elektrische schokken of letsel te voorkomen, mag de machine niet onbeheerd achter wanneer het wordt aangesloten inch Voordat u onderhoud uitvoert procedure te verlaten, de acculader los van het elektriciteitsnet los te koppelen.</li> <li>➤ Niet roken tijdens het opladen van de accu's.</li> <li>➤ Het gebruik van niet-originele onderdelen, accessoires, batterijen en opladers kunnen afbreuk doen aan de veiligheid van het apparaat. Gebruik alleen onderdelen en accessoires van Viper en het gebruik van batterijen en opladers die VIPER aan te bevelen. Bij het gebruik van niet-gecertificeerde en niet aanbevolen batterijen en laders, zal VIPER niet de kosten van de schade (garantie) veroorzaakt dit.</li> </ul>
---	--

	<p><b>LET OP</b> Batterijoplader. Elektrische schok door defecte stekker aansluitkabel of oplader kabel. Het aanraken van een defecte stekker aansluitkabel of de lader kabel kan leiden tot ernstige of zelfs dodelijke verwondingen.</p> <ul style="list-style-type: none"> <li>➤ Houd de batterij uit de buurt van vonken, vlammen en gloeiend voorwerp. Tijdens de normale werking explosieve gassen.</li> <li>➤ Voordat u de acculader, ervoor te zorgen dat de frequentie en voltage waarden, aangegeven op het serienummer van het apparaat plaat, overeenkomen met de elektrische netspanning.</li> <li>➤ Niet beschadigen netvoedingskabel (bijv. overrijden, trekken, knellen).</li> <li>➤ Controleer regelmatig of het netsnoer beschadigd is of tekenen van veroudering.</li> <li>➤ Laat de defecte stekker aansluitkabel vervangen door uw Viper servicevertegenwoordiger of een gekwalificeerde elektricien vóór gebruik van het apparaat weer.</li> <li>➤ Trek niet aan of draag de machine door de accu laadkabel en nooit de acculader kabel te gebruiken als</li> </ul>
---	---




	<p>handvat. Laat een deur niet sluiten op de accu laadkabel, of trek de batterijlader kabel langs scherpe randen of hoeken.</p> <ul style="list-style-type: none"> <li>➤ Houd de acculader uit de buurt van hete oppervlakken.</li> <li>➤ Laad de batterijen niet op als de oplader kabel of de stekker beschadigd is. Als de machine niet werkt zoals het zou moeten, is beschadigd, links buiten of in het water gevallen, terug te sturen naar het Service Center.</li> </ul>
--	--


## TRAPPEN EN HELLINGEN

	<p><b>LET OP</b> Kantelgevaar en uitglijden op trappen en hellingen. Bij de onderhandelingen over trappen en hellingen, is er een risico van persoonlijk letsel en schade aan eigendommen.</p> <ul style="list-style-type: none"> <li>➤ Gebruik geen onderhandelen stappen.</li> <li>➤ Gebruik het apparaat alleen op een vlakke ondergrond met een maximale helling van 2%</li> </ul>
---	--


## VLOERBEDEKKING

	<p><b>LET OP</b> Schade aan gevoelige vloerbedekkingen. Bijzonder gevoelige vloerbedekkingen kunnen worden beschadigd door het schoonmaken.</p> <ul style="list-style-type: none"> <li>➤ Voordat u de stofzuiger gebruikt, controleer dan of de vloerbedekking geschikt is voor deze reinigingstechniek.</li> <li>➤ Pas op gebied compressie in punt-elastische vloeren, bv in sportschool hallen.</li> <li>➤ Gebruik alleen reinigingsmiddelen die door Viper zijn gedgekeurd.</li> </ul>
---	--


## MATERIALEN GEVAARLIJK VOOR DE GEZONDHEID

	<p><b>WAARSCHUWING</b> Materialen schadelijk voor de gezondheid in de vloerbedekking. Vloerbedekking kan materialen bevatten die schadelijk zijn voor de gezondheid, die oplossen tijdens het reinigen.</p> <ul style="list-style-type: none"> <li>➤ Reinig geen vloeren waaruit stof of vloeistoffen kunnen oplossen en die schadelijk zijn voor de gezondheid.</li> </ul>
---	---

## EXPLOSIEGEVAAR

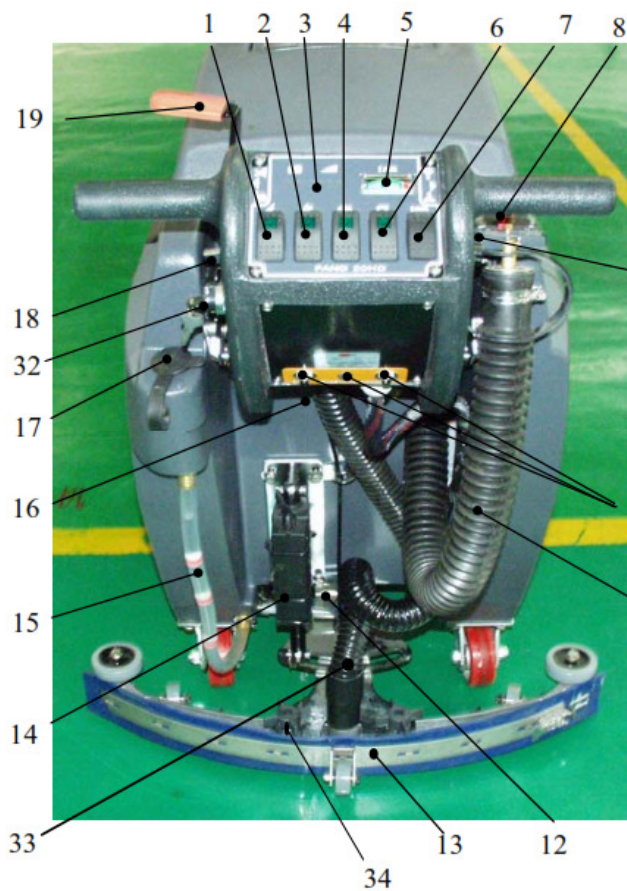
	<p><b>WAARSCHUWING</b> Ontvlambare of explosieve stoffen. Explosiegevaar in explosieve atmosfeer of een plaats waar brandbare of explosieve stoffen worden opgeslagen.</p> <ul style="list-style-type: none"> <li>➤ Gebruik de machine niet in de nabijheid van gevaarlijke, ontvlambare en / of explosieve stoffen, vloeistoffen of dampen.</li> </ul>
---	---

## ONDERDELEN EN ACCESSOIRES

	<p><b>LET OP</b> Niet-originele onderdelen en ongeschikte reinigingsmiddelen. Het gebruik van niet-originele onderdelen en ongeschikte reinigingsmiddelen kan afbreuk doen aan de veiligheid van het apparaat en leiden tot schade.</p> <ul style="list-style-type: none"> <li>➤ Gebruik alleen onderdelen en accessoires van Viper.</li> <li>➤ Gebruik alleen accessoires en reinigingsmiddelen mee geleverd bij het apparaat of die zijn gespecificeerd in de gebruiksaanwijzing.</li> </ul>
---	--

BESCHRIJVING VAN DE MACHINE

MACHINE STRUCTUUR



- 1. Hoofdschakelaar AAN / UIT schakelaar
- 2. Vacuüm AAN / UIT schakelaar
- 3. Batterij niveau meter
- 4. Borstel AAN / UIT schakelaar
- 5. Borsteldruk meter
- 6. Oplossing AAN / UIT schakelaar
- 7. Borstel druk OMHOOG / OMLAAG schakelaar
- 8. Oplossing regelknop
- 9. Snelheid regelknop
- 10. Stroomonderbrekers
- 11. Vuilwatertank afvoerslang
- 12. Squeegee stelmoer & as
- 13. Squeegee samenstel
- 14. Schrobkop actuator
- 15. Oplossing tank niveau zicht buis

- 16. Console aanpassing hendels
- 17. Achter oplossing vulling
- 18. achteruit schakelaar
- 19. Squeegee hendel
- 20. Controle behuizing
- 21. Bediening trekkers
- 22. Oplossing tank
- 23. Achter wielen
- 24. Transportwielen
- 25. Schrobkop
- 26. Schrobkop rok
- 27. Rok behuizing vergrendeling
- 28. Beschermende rollen
- 29. Voorzijde oplossing vulling
- 30. Herstel tank
- 31. Herstel tankdeksel
- 32. Sleutelschakelaar
- 33. Squeegee vacuümslang
- 34. Squeegee montage handwiel

Squeegee montage handwiel

**ACCESSOIRES / OPTIES**

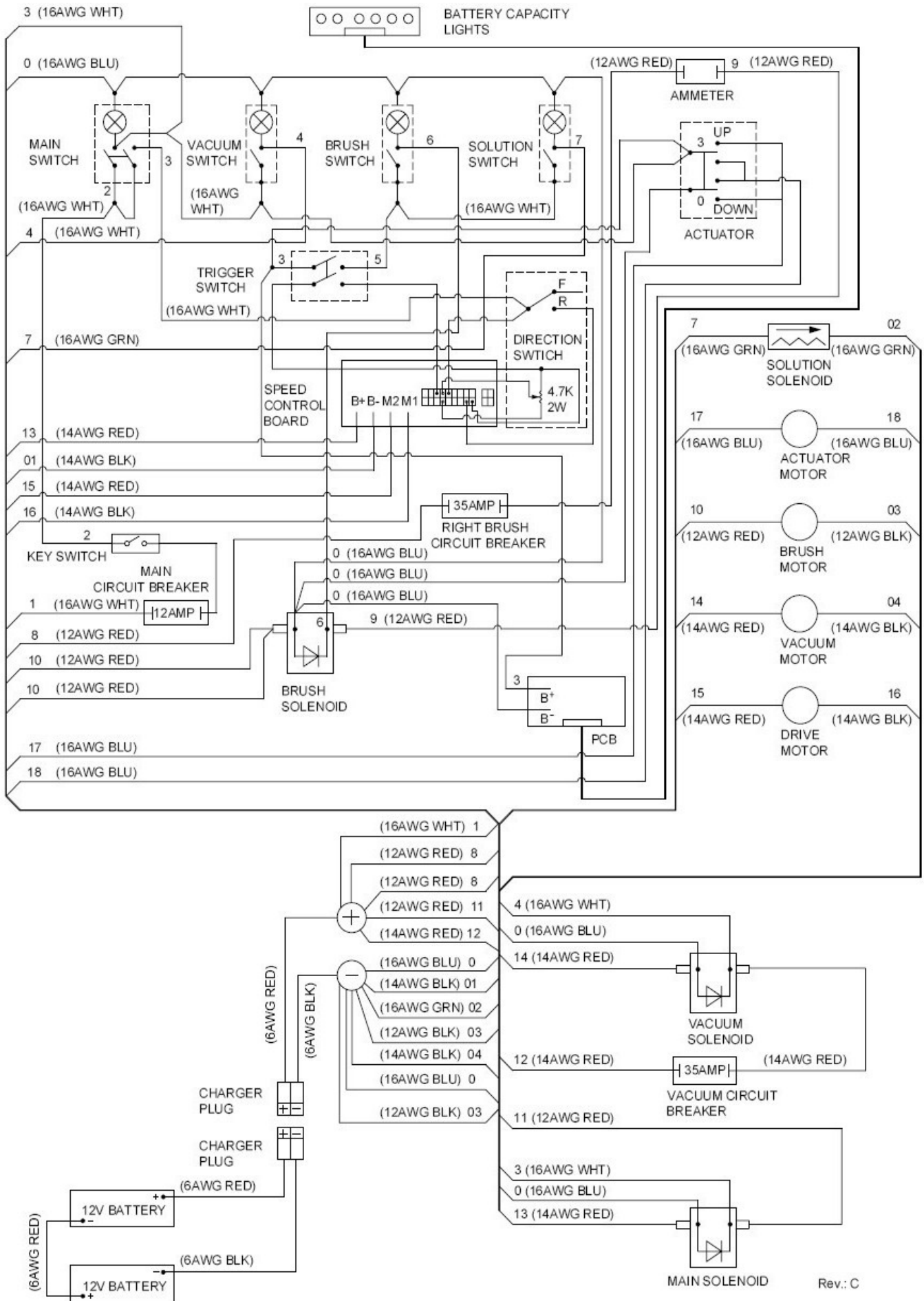
Naast de standaard componenten kan de machine worden uitgerust met de volgende accessoires / opties volgens de machine specifiek gebruik:

- Borstel
- Padhouder

Voor meer informatie over de optionele accessoires contact op met een erkende dealer.

**TECHNISCHE GEGEVENS**

Model		FANG 20HD-EU (1 borstel / pad-houder, met aandrijving systeem)
Machine Hoogte	mm	990
Oplossing / schoon water tank capaciteit	l	61
Herstel waterreservoir	l	61
Voorwiel diameter	mm	76
Achterwiel diameter	mm	200
Vacuüm systeem motorvermogen	W	400
Aandrijfsysteem motorvermogen	W	250
Rijsnelheid (variabel)	km/h	0 – 4.5
Klimvermogen	%	2
Geluidsniveau op werkplek	dB(A)	69
Standaard batterijen	Ah @ 20 h	2 x 12V/215AmP.hR
Vacuüm systeem circuit capaciteit	mm H <sub>2</sub> O	1.397
Schoonmaak breedte	mm	510
Squeegee breedte	mm	750
Machine maximumlengte	mm	1.350
Machine breedte zonder squeegee	mm	560
Borsteldiameter	mm	510
Gewicht zonder batterijen en met lege tanks	kg	107
Maximaal gewicht met batterijen en volle tanks	kg	181
Borstel Motor kracht	W	560
Borsteltoerental	rpm	200
Borstel / pad-houder onderdruk	kg	UP TO91



Rev.: C

## BEDRADINGSSCHEMA VOOR FANG 20HD-EU

## BEDRADINGSSCHEMA VOOR FANG 20HD-EU

## Kleurcodes


ZWT	Zwart
BLW	Blauw
GRN	Groen
ROOD	Rood
WIT	Wit

1	BATTERY CAPACITY LIGHTS	BATTERIJ CAPACITEIT VERLICHTING
2	MAIN SWITCH	HOOFDSCHAKELAAR
3	VACUUM SWITCH	VACUUM SCHAKELAAR
4	BRUSH SWITCH	BORSTEL SCHAKELAAR
5	SOLUTION SWITCH	OPLOSSING SCHAKELAAR
6	AMMETER	AMPÈREMETER
7	ACTUATOR	ACTUATOR
8	TRIGGER SWITCH	TREKKER SCHAKELAAR
9	SPEED CONTROL BOARD	SNELHEID BEDIENING BORD
10	DIRECTION SWITCH	RICHTING SCHAKELAAR
11	RIGHT BRUSH CIRCUIT BREAKER	RECHTER BORSTEL STROOM ONDERBREKER
12	KEY SWITCH	SLEUTELSCHAKELAAR
13	MAIN CIRCUIT BREAKER	HOOFD STROOM ONDERBREKER
14	BRUSH SOLENOID	BORSTEL SOLENOID
15	PCB	PCB
16	SOLUTION SOLENOID	OPLOSSING SOLENOID
17	ACTUATOR MOTOR	ACTUATOR MOTOR
18	BRUSH MOTOR	BORSTELMOTOR
19	VACUUM MOTOR	VACUUM MOTOR
20	DRIVE MOTOR	AANDRIJF MOTOR
21	VACUUM SOLENOID	VACUUM SOLENOID
22	VACUUM CIRCUIT BREAKER	VACUUM STROOM ONDERBREKER
23	MAIN SOLENIOD	HOOFD SOLENIOD
24	CHARGER PLUG	OPLAAD STEKKER
25	BATTERY	BATTERIJ




## WERKING

### VOORDAT DE MACHINE WORDT GESTART

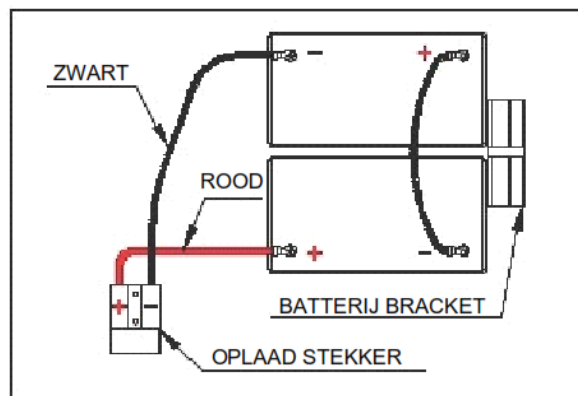
	<p><b>WAARSCHUWING!</b> Op een aantal punten van de machine zijn er enkele plaatjes aangebracht: GEVAAR WAARSCHUWING LET OP RAADPLEGING</p>
---	---

Tijdens het lezen van deze handleiding, moet de bediener zorgvuldig aandacht besteden aan de symbolen op de borden. Bedek deze platen niet, om welke reden dan ook en onmiddellijk vervangen als ze beschadigd zijn.

### BATTERIJ INSTALLATIE


	<p><b>WAARSCHUWING!</b> De elektrische onderdelen van de machine kan ernstig beschadigd raken als de batterijen ofwel verkeerd zijn geïnstalleerd of aangesloten. De batterijen moeten worden geïnstalleerd door gekwalificeerd personeel.</p> <ul style="list-style-type: none"> <li>➤ Stel de functie elektronische bord en de acculader (optioneel) afhankelijk van het type van de gebruikte batterijen (WET of GEL).</li> <li>➤ Controleer de batterijen op beschadigingen voor de installatie.</li> <li>➤ Koppel de batterij connector en de batterij adapter.</li> <li>➤ Behandel de batterijen met grote zorg.</li> <li>➤ Installeer de batterijklem beschermkapjes meegeleverd bij de machine.</li> </ul>
---	--

De machine heeft twee 12V accu's nodig, aangesloten volgens de onderstaande schema:



Er zijn geen batterijen op de machine van de fabriek, maar klanten kunnen batterijen (WET of GEL) kopen.

- Koop juiste batterijen (zie technische gegevens paragraaf).
  - Voor batterij keuze en installatie, raadpleeg gekwalificeerde batterij dealers.
  - Stel de machine en de acculader volgens de geïnstalleerde batterijtype (WET of GEL) zoals aangegeven in de volgende paragraaf.
- a) Als de batterijen (WET of GEL) zijn geïnstalleerd en klaar zijn voor gebruik
- Controleer of de batterijen zijn aangesloten op de machine met de oplaad stekker.
  - Steek de contactsleutel in (32) en zet hem op "AAN".
- Als het groene controlelampje (3) brandt, zijn de batterijen klaar voor gebruik.  
Als het gele of rode lampje (3) wordt ingeschakeld, moeten de batterijen worden opgeladen (zie procedure in het hoofdstuk Onderhoud).
- b) Als de batterijen (WET) zijn geïnstalleerd op de machine, maar zonder elektrolyt
- Open het klepje (31) en controleer of het herstel watertank (30) leeg is, anders legen met de afvoerslang (11).
  - Voorzichtig de tank (30) optillen.

	<p><b>WAARSCHUWING!</b> Let op bij het gebruik van zwavelzuur, zoals het corrosief is. Als het in contact komt met de huid of de ogen, spoel dan grondig met water en raadpleeg een arts. Batterijen moeten worden gevuld in een goed geventileerde ruimte. Draag beschermende handschoenen.</p>
---	--

- Vul de accucellen met zwavelzuur voor batterijen (dichtheid 1,27 tot 1,29 kg bij 25 ° C) volgens de instructies in de handleiding BATTERIJ. De juiste hoeveelheid zwavelzuur wordt aangegeven in de Batterij Handleiding.
- Om schade aan de vloer te voorkomen, droog met een doek zowel zuur en water op de bovenkant van de accu's na het opladen.



- Laat de batterijen rusten en opvullen met zwavelzuur volgens de instructies in Batterij Handleiding.
- Laad de batterijen op (zie procedure in hoofdstuk Onderhoud).

### ACCULADER INSTELLING

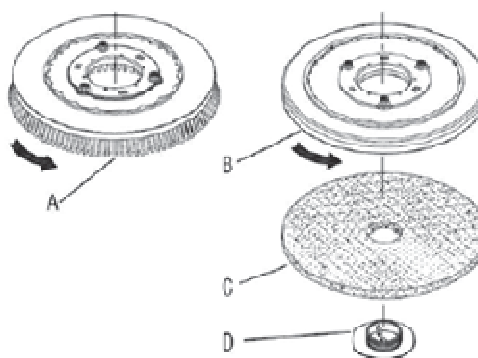
- De lader standaard instelling is het gemeenschappelijk standpunt voor AGM, Gel, SLA, VRLA van de fabriek
- Indien nodig gebruik maken van WET functie alleen voor lood batterijen. Neem contact op met de dealer.

### CONTROLE VOOR ET STARTEN

- Veeg de buitenkant van de machine.
- Zorg ervoor dat de spanning van de machine voldoet aan de lokale spanning.
- Controleer of de squeegee correct is geïnstalleerd.
- Controleer of borstel/pad correct is geïnstalleerd.

### INSTALLEREN VAN PAD BESTUURDER OF BORSTEL

- Zorg ervoor dat de machine is uitgeschakeld.
- Zet borstelkop montage op de vloer door te stappen op het voetpedaal en het pedaal te duwen naar voren.
- Kantel de machine naar achteren om de aandrijfmotor hub te openen.



#### OPMERKING

Verwijder squeegee samenstel voorafgaand aan het kantelen van de machine naar achteren. Het maakt het proces sneller en gemakkelijker.



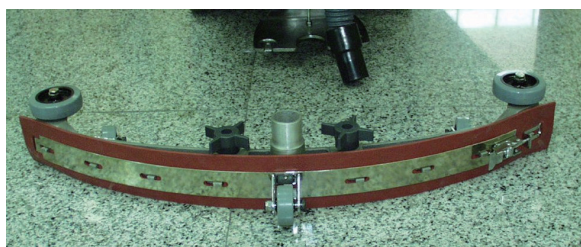
#### WAARSCHUWING!

Houd het apparaat niet gekanteld naar achter voor een lange tijd. Dit kan leiden tot het lekken van accuzuur van de batterijen.

- Bij gebruik van een pad bestuurder, bevestig dan eerst de juiste pad om de pad bestuurder oppervlak.
- Monteer de pad bestuurder of borstel om de aandrijfmotor hub en lijn de drie studs met de drie gaten in de aandrijfmotor hub. Eenmaal in de gaten, draai de bestuurder op zijn plaats in de richting van de veerklem.

### MONTAGE VAN DE SQUEEGEE

- Trek aan de trekker hendel om de squeegee beugel op te tillen.
- Draai de twee knoppen op de squeegee en schuif de squeegee in de sleuven aan de achterzijde van de squeegee beugel. (de wielen van de trekker richten naar de achteren)
- Draai de knoppen stevig vast.



### VULLEN VAN DE OPLOSSING TANK

De FANG 20HD-EU kan worden opgevuld op twee verschillende locaties:

- Voor opvulgebied voor gebruik met een slang of een emmer.

b. Achter opvulgebied voor gebruik met een slang alleen.

- Bepaal welk vul gebied u wilt gebruiken om de machine op te vullen met water.
- Vul oplossing tank tot 52 liter water. (temperatuur van het water mag niet hoger zijn dan 40 ° C). De heldere buis aan de achterkant links van de machine heeft gallon markers om het waterniveau in de oplossing tank te bepalen.



**OPMERKING**

Als u de oplossingstank met een emmer vult, zorg ervoor dat de emmer schoon is. Hiermee voorkomt u dat vuil de leidingen of solenoïde niet verstopten.



**WAARSCHUWING!**

Plaats geen brandbare materialen in de oplossingstank. Dit kan leiden tot een explosie of brand veroorzaken. Gebruik alleen aanbevolen schoonmaakmiddelen. Neem contact op met concierge levering verdeler voor aanbevelingen voor juiste chemicaliën.

**MACHINE STARTEN EN STOPPEN**



**WAARSCHUWING!**

Gebruik de machine niet, tenzij u deze handleiding hebt gelezen en begrepen.

- Zet de controle behuizing op een comfortabele werkhoogte door de twee duim hendels (16) samenknijpen direct onder de behuizing.
- Zet de squeegee op de vloer door het vrijgeven van de hendel (19) van zijn vergrendelde positie.
- Zet de borstelkop montage op de vloer door borstel drukschakelaar (7) op AAN te schakelen.
- Zet de hoofdschakelaar (1) op de "AAN" positie.
- Zet de borstelmotor schakelaar (4) op de "AAN" positie.
- Zet de zuigmotor schakelaar (2) op de "AAN" positie.
- Zet de oplossing schakelaar (6) op de "AAN" positie.
- a. Oplossing zal niet beginnen te stromen totdat het besturingssysteem trekkes worden getrokken.
- De FANG 20HD-EU is zelfrijdende. De snelheid kan worden geregeld door een regelaar (9) aan de rechterzijde van het bedieningspaneel.
- De Fang 20HD-EU heeft achteruit functie. Om achteruit te activeren is er een tuimelschakelaar (18) die zich aan de linker kant van de behuizing bevindt.
- Om schrobben te beginnen, trekken aan een of beide van de rode bediening trekkers (21). Wanneer deze trekkers worden getrokken, zal de borstel beginnen te draaien en de oplossing zal beginnen te stromen. FANG20HD-EU: zal zichzelf voortstuwen. FANG20HD-EU: Begint te schrobben door de machine naar voren te bewegen.



**WAARSCHUWING!**

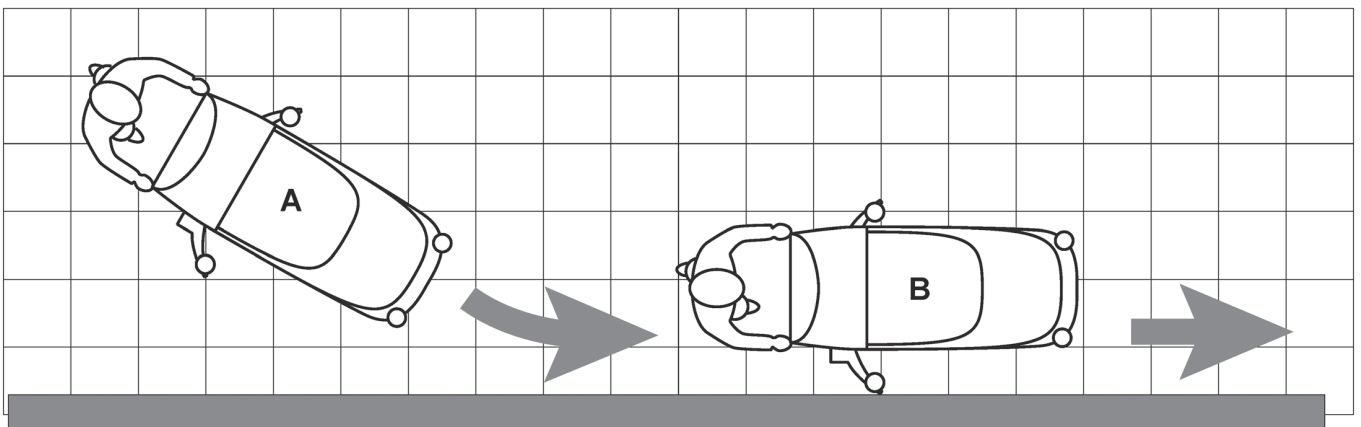
Gebruik de machine niet in dezelfde positie met een draaiende pad / borstel, u kunt schade aan de vloer veroorzaken.

- Pas hoeveelheid vloeistof toevoer aan door de oplossing bedieningsknop (8). Draai naar rechts voor meer oplossing, of naar links voor minder oplossing.



**OPMERKING**

Voor juiste schrobben / drogen van vloeren aan de zijkanten van wanden, stelt Viper voor tot nabij de wand te gaan met de rechterzijde van de machine.



**LET OP!**

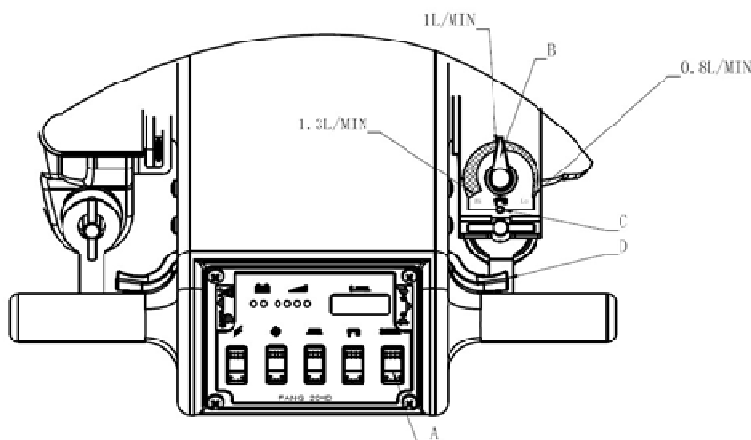
Om schade aan het vloeroppervlak te voorkomen, de borstel / pad houder UIT schakelen wanneer de machine stopt op een plaats, vooral wanneer de extra druk-functie is ingeschakeld.

**OPLOSSING STROOM AANPASSINGEN**

- Zet de oplossing schakelaar (A) op de "AAN" positie.
- Pas hoeveelheid oplossing stroom aan door de oplossing regelknop (B), naar links (tegen de klok) voor meer oplossing, of naar rechts (met de klok mee) voor minder oplossing. De pen (C) is eindpositie van de oplossing regelknop (B).

**OPMERKING**

Zelfs als de oplossing schakelaar (A) is ingeschakeld zal de oplossing niet beginnen te stromen totdat de besturingssysteem trekkers (D) worden getrokken.

**ACCU ONTLADING TIJDENS DE WERKING**

Tot dat het groene lampje (3) blijft branden, kunnen de batterijen de machine normaal laten werken.

Als het groene lampje (3) uit gaat en het gele waarschuwingslampje (3) begint te branden, is het raadzaam om de batterijen op te laden, omdat de resterende autonomie zal duren voor een paar minuten (afhankelijk van de accu kenmerken en het uit te voeren taak).

Als het rode lampje (3) brandt, is de autonomie voorbij. Na een paar seconden, zullen de borstel / pad-houder automatisch worden uitgeschakeld, terwijl het vacuüm systeem en het aandrijfsysteem aan blijven, om de vloer af te ronden met drogen en de machine naar een aangewezen oplaad gebied toe rijden.

**LET OP!**

Gebruik de machine niet met lege batterijen, om schade aan de batterijen te voorkomen en de levensduur van de batterijen te verminderen.


**TIJDENS HET BEDIENEN VAN DE MACHINE**

- Af en toe kijken door de heldere herstel tank deksel om te zien of er sprake is van schuim opbouw. Als er te veel schuim wordt gevonden, voeg dan anti-schuimmiddel aan de herstel tank.


**WAARSCHUWING!**

Foam mag niet in de vlotter afsluiter scherm komen, of er kan schade ontstaan aan de zuigmotor. Foam zal de Machine drijf afsluiter niet activeren.


- Af en toe kijken naar de doorzichtige buis aan de achter linkerkant van het apparaat om de hoeveelheid reinigungsoplossing die er nog is in de machine te controleren.
- Af en toe de batterijniveau meter aflezen (3). Wanneer de meter rood is, moeten de batterijen worden opgeladen.

	<p><b>WAARSCHUWING!</b> Wanneer de batterij meter rood is, ga dan niet verder met de machine. Batterij kan worden beschadigd.</p>
---	---

- Als de squeegee montage strepen laat op de vloer, til de zuigmond van de vloer af en wrijf de messen af met een vochtige doek.

	<p><b>WAARSCHUWING!</b> Gebruik uw vingers niet om te vegen of vuil te verwijderen van de messen, u kunt letsels oplopen.</p>
---	---


- Als de schoonwatertank leeg loopt, zet de borstel-schakelaar, oplossing schakelaar op UIT en til de borstelkop omhoog. Houd de squeegee naar beneden en blijven vacumeren totdat al het vuile water wordt opgepikt. (zie TANK AFTAPPEN sectie om te leren hoe de herstel en de oplossing tanks af te voeren)


	<p><b>OPMERKING</b> De borstelmotor is stroomonderbreker beveiligd om het te beschermen tegen beschadiging. Als dit zekering doorslaat, kan het niet onmiddellijk worden gereset. U moet eerst bepalen wat de oorzaak van de stroomonderbreker is, en laat de motor afkoelen voordat u de stroomonderbreker wilt resetten.</p>
---	--

### TANK AFTAPPEN


- Schakel de stroom uit op de machine.
- Met de squeegee en de borstelkop in hun "hoge" stand, vervoer de machine naar een goedgekeurd gebied voor het afvoeren van de tank(s).

### AFTAPPEN VAN DE HERSTEL (VUILE) TANK

	<p><b>OPMERKING</b> Wanneer het schrobben is voltooid, of bij het vullen van de oplossing tank, moet de de herstel tank worden gelegeerd en gereinigd.</p>
--	--


	<p><b>WAARSCHUWING!</b> Als de herstel tank niet wordt afgevoerd wanneer de oplossing tank wordt gevuld, kan schuim of water in de vlotter afsluit-mechanisme komen en schade aan de zuigmotor veroorzaken.</p>
---	---

- Verwijder de afvoerslang uit de houder en plaats de afvoerslang over de vloer afvoer. Draai de afvoerslang stekker aan om de afvoer te starten. Om de herstel tank volledig te ledigen, een scharnier opent de herstel tank en laat het rusten op de steunpoten.
- Reinig de herstel tank na elk gebruik. Gebruik een schone waterslang om de herstel tank te spoelen. Zorg dat er geen water sproeit in de vlotter uitschakeling mechanisme

	<p><b>OPMERKING</b> Als u de machine gedurende een bepaalde periode wilt opbergen, dient u altijd de heldere herstel tank deksel van de tank te laten zodat de tank volledig kan drogen en fris ruikt.</p>
---	--





- Vervang de afvoerslang stop zodra u klaar bent met het afvoeren van de tank.

### AFTAPPEN VAN DE OPLOSSING (SCHONE) TANK

	<p><b>OPMERKING</b> Wanneer het schrobben is voltooid, moet de oplossing tank worden gelegeerd en gereinigd.</p>
---	--

- Trek de heldere buis (links achter van de machine) om het te verwijderen van de slang weerhaak. Hierdoor kan de oplossing vrij stromen in een emmer of vloer afvoer.
- Spoel de schoonwatertank met schoon water na elk gebruik. Dit zal helpen chemische opbouw en verstopping van de oplossing lijnen te voorkome.
- Met schoon water in de oplossing tank, zet de machine, oplossing schakelaar "aan" en trek de bediening trekkers. Hierdoor kan het schone water door spoelen en de oplossing sanitair schoon maken.
- Zodra de tank is gespoeld en is uitgelekt, sluit de heldere buis naar de slang weerhaak. Zorg ervoor dat de buis helemaal omhoog wordt gedrukt op de slang weerhaak.

## BATTERIJ OPLADEN

	<p><b>OPMERKING</b> Voor de beste prestaties van de machine, houd batterijen opgeladen te allen tijde. Laat ze niet zitten in een ontladen toestand.</p>
	<p><b>OPMERKING</b> Als het apparaat een optionele batterij oplader heeft, kan de machine niet werken als de oplader niet aan boord is. In het geval een defecte batterij oplader, contact opnemen met een erkend Service Center.</p>
	<p><b>LET OP!</b></p> <ul style="list-style-type: none"> <li>● Gebruik alleen goedgekeurde opladers met de volgende specificaties:</li> <li>● Automatische uitschakeling circuit</li> <li>● Deep cycle opladen</li> <li>● Uitgangsstroom van 10-20 Ampère</li> <li>● Uitgangsspanning van 24 volt</li> </ul>
	<p><b>LET OP!</b> Batterijen zijn gevaarlijk! Batterijen stoten waterstofgas uit en kan leiden tot een explosie of brand. Houd vonken en vuur uit de buurt van de batterijen te allen tijde. Tijdens het opladen van het apparaat, zorg ervoor dat het batterijvak open blijft.</p>



- Plaats oplader en machine in een goed geventileerde ruimte.
- Zet de machine uit.
- Open herstel tank omhoog, door het batterijvak bloot te stellen.
- Controleer het vloeistofniveau in elke batterij cel. Laad de batterijen niet, tenzij vloeistof iets over de batterij platen komen. De batterijen niet over vullen. Als te veel is gevuld kan het ertoe leiden dat de batterijen tijdens het laden overstroomt als gevolg van expansie. Vervang de doppen voorafgaand het opladen.
- Plug goedgekeurd lader in geaard stopcontact uit te laten voordat u de lader in de machine.
- Steek de lader in de rode lader aansluiting bevindt zich in de ruimte links van het batterijvak.
- Klap de vuilwatertank "Kick stand" en legt u de vuilwatertank naar beneden totdat het rust op de stand.
- De batterijlader zal automatisch beginnen om de batterijen op te laden, en het wordt automatisch uitgeschakeld zodra de batterijen volledig zijn opgeladen.
- Na het voltooiën van het laden, eerst moet u de lader uit het stopcontact en koppel de lader los van het apparaat.
- De batterij Controleer na het opladen is voltooid. Als er vloeistof laag is, vul dan gedistilleerd water om het vloeistofpeil te brengen tot aan de onderkant van het gezicht buizen. Vervang de doppen en veeg de batterijen af met een handdoek.

## ONDERHOUD



Om de machine goed te presteren voor vele jaren te bewaren, volg dan de volgende onderhoudsprocedures.



**LET OP!**

Controleer altijd dat de machine is uitgeschakeld en de accukabel is losgekoppeld voordat onderhoud of reparatie worden uitgevoerd.

**DAGELIJKS ONDERHOUD**

- Verwijder pad bestuurder / borstel en reinig met goedgekeurde reiniger.
- Herstel en oplossing tanks volledig aftappen en spoelen met schoon water. Controleer visueel de herstel tank voor vuil en schoonmaken als dat nodig is.
- Til squeegee van de grond en het afvegen met een vochtige handdoek. Zorg ervoor de squeegee op te slaan in de hoge stand.
- Verwijder de vlotter afsluit montage en spoel deze met schoon water.
- Apparaat reinigen met een goedgekeurd reinigingsmiddel en een vochtige handdoek. Spuit geen water aan de buitenkant van de machine om schade aan de motor en bedrading te voorkomen.
- Laad de batterijen op.



**WEKELIJKS ONDERHOUD**

- Controleer het vloeistofniveau in de batterijen.
- Controleer de batterijen op losse of gecorrodeerde kabels.
- Houd de batterij toppen vrij van corrosie.

**MAANDELIJKS ONDERHOUD**

- Controleer machine op lekkage en losse bevestigingen.
- Smeer alle smeerpunten en scharnierpunten met siliconenspray en goedgekeurde vet.
- Plaats de machine op een afvoerputje. Spoel oplossing systeem door het gieten van 10 liter warm water en goedgekeurd alkalisch reinigingsmiddel in de oplossing tank en laat de machine draaien (met de oplossing controle op) gedurende 45 seconden. Zet de machine uit en laat het 's nachts zitten. Dan de volgende dag, laat u de resterende oplossing afvoeren en spoel de oplossing tank met schoon water.

**VACUUM SYSTEEM MOTOR FILTER REINIGING**

- Rijd de machine op een vlakke vloer.
- Zet de contactsleutel (32) op "UIT".
- Open de herstel watertank.
- Indien nodig moet het water uit de tank om het filter zichtbaar te maken.
- Controleer of het voorfilter schoon is. Indien nodig reinigen met water en geperst lucht, vervolgens installeren.
- Voer stappen 1, 2 en 3 in omgekeerde volgorde.

**OPLOSSING / SCHOON WATER FILTER REINIGING**

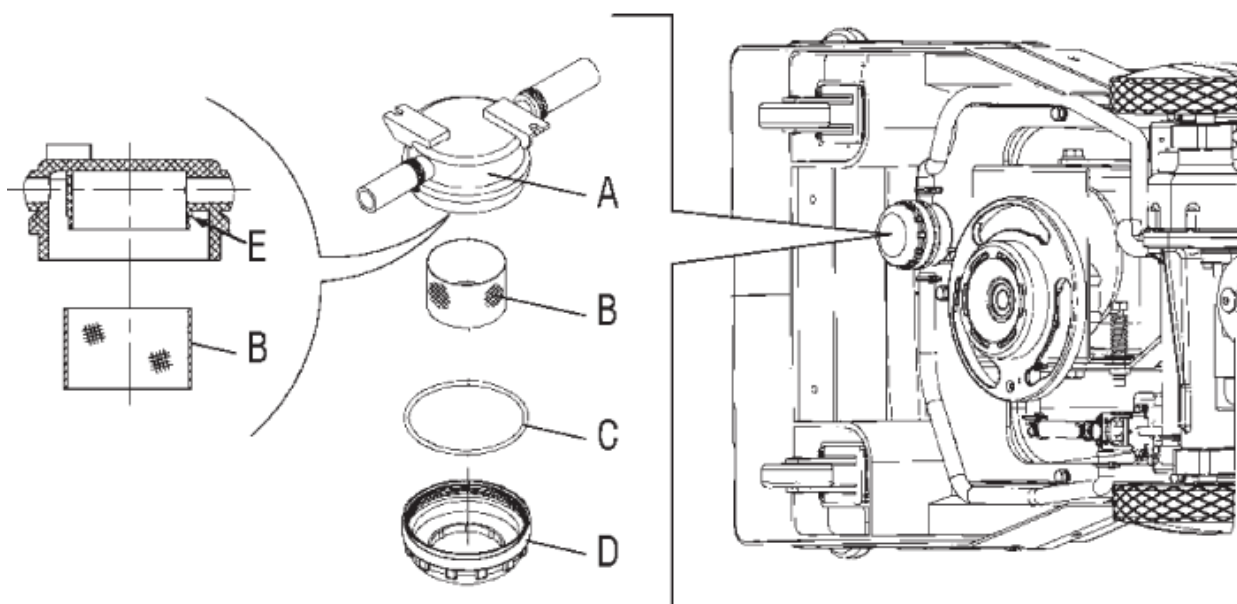
- Rijd de machine op een vlakke vloer.
- Zet de contactsleutel (32) op "UIT".
- Verwijder de transparante afdekking (D) (het waterfilter positie onder de machine) en verwijder de filterzeef(B). Reinig en installeer deze op de ondersteuning (A).



**OPMERKING**

De filterzeef (B) moet goed geplaatst zijn op de behuizing (E) van de drager (A).



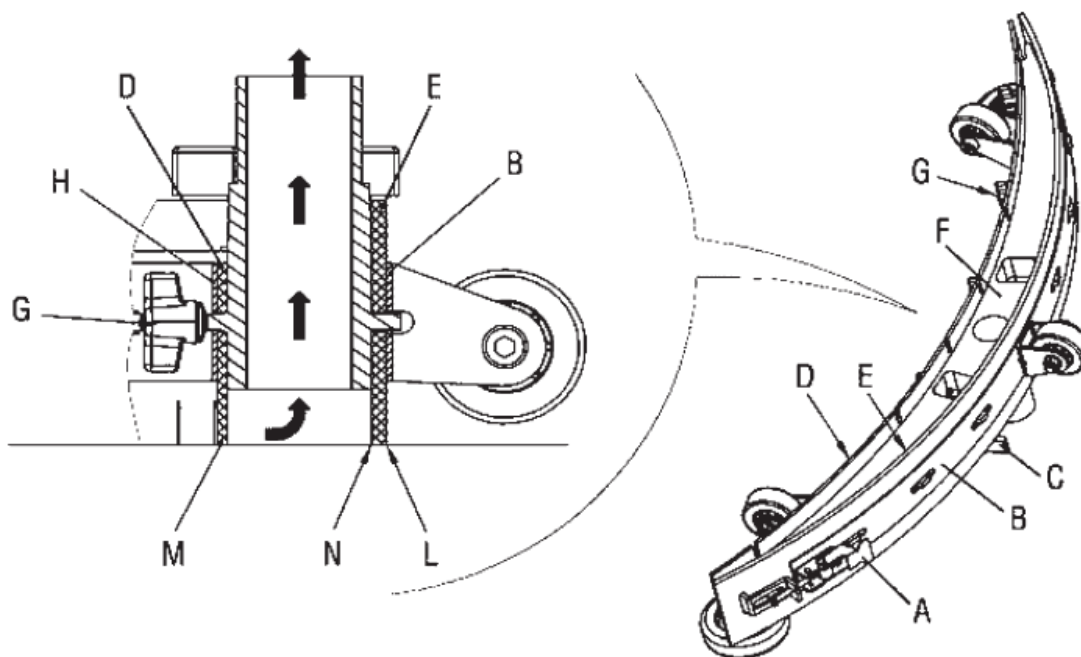


### SQUEEGEE MES CONTROLE EN VERVANGING

- Reinig de squeegee, zoals aangegeven in de vorige paragraaf.
- Controleer of de rand (M) van de voorste mes (D) en de rand (L) van het achterste mes (E) vast op hetzelfde niveau is, langs hun lengte; anders passen hun hoogte volgens de volgende procedure:
  - Ontgrendel de houders (A) om de achterste mes aan te passen (E); vervolgens de houders weer vast zetten.
  - Maak de handwielen (G) los en pas de voorste mes (D) aan, draai de handwielen weer vast.
- Controleer voorste mes (D) en achterste mes (E) voor integriteit, bezuiniging en tranen, indien nodig vervang ze zoals hieronder afgebeeld. Controleer of de voorste hoek (N) van het achterste mes niet is versleten, anders het mes omkeren om de versleten hoek te vervangen door een integrale.
  - Als de andere hoeken ook zijn versleten, vervang het mes volgens de volgende procedure:
    - Maak de vergrendelingen (A) en verwijder de opsluitplaat strip (B), en vervang / keer het achterste mes (E). Installeer het mes in de omgekeerde volgorde van het verwijderen.
    - Maak de handwielen (G) los en verwijder de opsluitplaat strip (H), vervang dan het voorste mes (D). Installeer het mes in de omgekeerde volgorde van het verwijderen.

Na de vervanging van het mes (of omkeren), de hoogte, zoals aangegeven in de vorige stap.

- Sluit de vacuümslang (33) aan op de squeegee.
- Installeer de squeegee (13) en schroef de handwielen (34) vast



### BORSTEL / PAD REINIGING



**LET OP!**

Gevaar voor snijwonden.

Het is raadzaam om beschermende handschoenen te dragen bij het schoonmaken van de borstel / pad omdat er mogelijk scherpe voorwerpen.


- Verwijder de borstel / pad van de machine, zoals in gebruik hoofdstuk.
- Reinig en spoel de borstel / pad met water en reinigingsmiddel.
- Controleer of de borstel / pad is integraal en niet overmatig versleten, anders vervangen.

**PROBLEMEN OPLOSSEN**

PROBLEEM	ORZAAK	OPLOSSING
Geen stroom	Slechte batterijen	Vervang de batterijen
	Batterijen moeten worden opgeladen	Laad de batterijen op (zie Accu opladen)
	Losse accukabel	Draai losse kabel (s)
	Batterijen zijn niet correct aangesloten	Volg batterij installatie-instructies
Borstelmotor werkt niet	Slechte borstel schakelaar	Contact Viper Distributeur
	Borstel stroomonderbreker is doorgeslagen	Controleer borstelmotor op obstakels en reset schakelaar
	Gelijkrichter is doorgebrand	Contact Viper Distributeur
	Slechte bedrading	Contact Viper Distributeur
	Slechte borstelmotor	Contact Viper Distributeur
	Koolborstels versleten	Contact Viper Distributeur
Zuigmotor werkt niet	Slechte vacuümschakelaar	Contact Viper Distributeur
	Slechte bedrading	Contact Viper Distributeur
	Slechte zuigmotor	Contact Viper Distributeur
	Koolborstels versleten	Contact Viper Distributeur
Korte werk tijd	Batterijen moeten worden opgeladen	Laad de batterijen op (zie Accu opladen)
	Batterij onderhoud nodig	Zie Onderhoud van de batterij in deze handleiding
	Slechte cellen in de batterij (en)	Vervang de batterijen
	Slechteop lader	Vervang de lader
Weinig of geen oplossing stroom	Slechte oplossing schakelaar	Contact Viper Distributeur
	Verstopte oplossing solenoïde	Contact Viper Distributeur
	Verstopte oplossing filter	Verwijder filter en schone
	Oplossing lijn belemmerd	Verwijder oplossing lijn en schoon te maken
	Oplossing stroom aanpassing knop die behoefte hebben aan aanpassing	Verhoog stroom door het verdraaien oplossing regelknop om de rechts. Verlaag stroom door het verdraaien oplossing instelknop naar links.
Slechte water opname	Squeegee is verstopt	Schoon puin van zuigmond met een vochtige doek
	Squeegee mes is versleten	Installeer nieuwe zuigrubbers

PROBLEEM	OORZAAK	OPLOSSING
	Squeegee niet correct gemonteerd	Controleer of het rakelsamenstel goed vastzit aan de machine en niet loszittende.
	Vacuüm slangen hebben een gat of zitten los	Controleer de slang aansluitingen en zorg ervoor dat ze stevig zijn. Vervang de slang als ze beschadigd zijn.
	Vacuümslang is verstopt	Controleer de slang op vuil en verwijder verstoppingen.
	Afvoerslang stopper zit los	Draai de aftapplug.
	Batterijen moeten worden opgeladen	Laad de batterijen op (zie Accu opladen)
	Vacuüm motor is los	Draai zuigmotor bevestigingsschroeven. Niet te vast of schade zal optreden.
	Herstel deksel van de tank zit los	Bevestig de duidelijk herstel deksel van de tank stevig op zijn plaats.
	Vuilwatertank inlaat gat is verstopt	Tap de vuilwatertank en kantel tank aan de zijkant. Controleer de inlaat gat voor vuil en te verwijderen vuil.
	Vuilwatertank is vol	Laat vuilwatertank.
	Drijf uitschakelaar is verstopt	Verwijder zweven afgesloten van binnenuit vuilwatertank en verwijder alle vuil.

## OPSLAG

	<p><b>LET OP!</b> Als u de machine oslaat in een gebied dat kan bevriezen, moet u beide tanks en de oplossing sanitair zijn leeg en droog is van al het water!.</p>
---	---

- Bewaar het apparaat op een droge plaats, beschermd tegen vorst.
- De machine opslagtemperatuur moet tussen 0 ° C en +40 ° C.
- Wanneer het apparaat binnenshuis.
- Neem altijd uit de padhouder / borstel
- Wanneer het apparaat met het rakelsamenstel opgeheven van de grond.
- Als het opslaan in een gebied dat kan oplopen tot temperaturen onder het vriespunt, moet u alle vloeistoffen aftappen uit de machine voorafgaand aan de opslag. Elke schade veroorzaakt door temperaturen onder het vriespunt worden niet gedekt door de garantie.
- Tap de vuilwatertank en verwijder de doorzichtige op de top van de vuilwatertank, zodat het kan "ademen" tijdens de opslag.
- Tap de schoonwatertank van alle vloeistof.

## RECYCLAGE VAN HET REINIGER

Maak de oude reiniger onmiddellijk onbruikbaar:

- Verwijder de batterijen
- Gooi elektrische apparaten niet met huishoudelijk afval weg.



Overeenkomstig de Europese richtlijn 2002/96/EG inzake oude elektrische en elektronische apparaten, moeten gebruikte elektrische goederen afzonderlijk verzameld en voor recycling. Neem contact op met de lokale overheid of uw dichtstbijzijnde dealer voor meer informatie

**INDICE**

INTRODUZIONE.....	91
SCOPO E CONTENUTO MANUALE.....	91
OBIETTIVO.....	91
COME CONSERVARE QUESTO MANUALE.....	91
DICHIARAZIONE DI CONFORMITÀ.....	91
DATI IDENTIFICATIVI.....	91
ALTRI MANUALI DI RIFERIMENTO.....	91
PARTI DI RICAMBIO E MANUTENZIONE.....	91
MODIFICHE E MIGLIORAMENTI.....	91
SCOPO E INTENZIONE D'USO.....	91
CONVENZIONI.....	92
DISIMBALLAGGIO/CONSEGNA.....	92
SICUREZZA.....	92
SIMBOLI USATI PER MARCARE LE ISTRUZIONI.....	92
ISTRUZIONI GENERALI.....	93
DESCRIZIONE DELL'APPARECCHIO.....	96
STRUTTURA DELL'APPARECCHIO.....	96
ACCESSORI/OPZIONI.....	97
SCHEMA ELETTRICO PER FANG 20HD-UE.....	99
FUNZIONAMENTO.....	100
PRIMA DI AVVIARE L'APPARECCHIO.....	100
DURANTE IL FUNZIONAMENTO DELL'APPARECCHIO.....	104
MANUTENZIONE.....	106
MANUTENZIONE GIORNALIERA.....	106
MANUTENZIONE SETTIMANALE.....	106
MANUTENZIONE MENSILE.....	107
PULIZIA FILTRO DEL MOTORE DEL SISTEMA DI ASPIRAZIONE.....	107
PULIZIA FILTRO SOLUZIONE/ACQUA PULITA.....	107
CONTROLLO E SOSTITUZIONE LAMA TERGIPAVIMENTO.....	107
RISOLUZIONE DEI PROBLEMI.....	108
CONSERVAZIONE.....	110
RICICLAGGIO DEL PULITORE.....	110

## INTRODUZIONE



### NOTA

I numeri tra parentesi si riferiscono ai componenti mostrati nel capitolo Descrizione dell'Apparecchio.

## SCOPO E CONTENUTO DEL MANUALE

Lo scopo di questo Manuale è quello di fornire all'operatore tutte le informazioni necessarie per utilizzare correttamente l'apparecchio, in modo sicuro e autonomo. Contiene informazioni relative ai dati tecnici, alla sicurezza, al funzionamento, alla conservazione, alla manutenzione, ai pezzi di ricambio e allo smaltimento. Prima di eseguire qualsiasi operazione, gli operatori e i tecnici qualificati devono leggere attentamente il presente manuale. Contattare Viper in caso di dubbi riguardanti l'interpretazione delle istruzioni e per ogni ulteriore informazione.

## OBIETTIVO

Questo manuale è destinato a operatori e tecnici qualificati per eseguire la manutenzione dell'apparecchio.

Gli operatori non devono eseguire le procedure riservate ai tecnici qualificati. Viper non sarà responsabile per danni derivanti dal mancato rispetto di tale divieto.

## COME CONSERVARE QUESTO MANUALE

Il manuale d'uso deve essere conservato presso l'apparecchio, all'interno di un contenitore adeguato, lontano da liquidi e altre sostanze che possono causare danni ad esso.

## DICHIARAZIONE DI CONFORMITÀ

La dichiarazione di conformità, in dotazione con l'apparecchio, attesta la conformità dell'apparecchio con la legislazione in vigore.



### NOTA

Due copie della dichiarazione di conformità originale sono state fornite insieme con la documentazione dell'apparecchio

La dichiarazione CE è stampata nella Guida di Avvio Rapido.

## DATI IDENTIFICATIVI

Il modello dell'apparecchio e il numero di serie sono indicati sulla targhetta.

Queste informazioni sono utili quando si richiedono parti di ricambio dell'apparecchio. Utilizzare la seguente tabella per annotare i dati di identificazione dell'apparecchio.

Modello APPARECCHIO.....

Numero di serie APPARECCHIO.....

## ALTRI MANUALI DI RIFERIMENTO

- Manuale di Servizio (può essere consultato nei Centri di Servizio Viper)
- Elenco delle Parti di Ricambio (vedi [www.vipercleaning.eu](http://www.vipercleaning.eu))

## PARTI DI RICAMBIO E MANUTENZIONE

Tutte le procedure necessarie di funzionamento, manutenzione e riparazione devono essere eseguite da personale qualificato o dai Centri di Servizio Viper. Devono essere utilizzate solo parti di ricambio e accessori originali. Contattare Viper per il servizio o per ordinare i pezzi di ricambio e gli accessori, specificando il modello di apparecchio e il numero di serie.

## MODIFICHE E MIGLIORAMENTI

Viper migliora costantemente i propri prodotti e si riserva il diritto di effettuare modifiche e miglioramenti a sua discrezione, senza alcun obbligo di applicare tali miglioramenti agli apparecchi precedentemente venduti.

Qualsiasi modifica e/o aggiunta di accessori deve essere approvata ed eseguita da Viper.

## SCOPO E INTENZIONE D'USO

Tutti gli apparecchi per la pulizia automatica sono destinati esclusivamente per la pulizia a umido di pavimenti resistenti

all'acqua in interni di edifici. Gli apparecchi per la pulizia automatica non possono essere utilizzati per la pulizia di moquette e tappeti.

Questo apparecchio è adatto per l'uso commerciale, ad esempio in alberghi, scuole, ospedali, fabbriche, negozi, uffici e aziende di noleggio.

Ogni altro uso è considerato come un uso improprio. Il produttore non si assume alcuna responsabilità per eventuali danni derivanti da tale uso. Il rischio per tale uso è esclusivamente a carico dell'utente.

L'uso corretto prevede anche il corretto funzionamento, la manutenzione e la riparazione come specificato dal costruttore.

Le modifiche apportate agli apparecchi automatici da parte degli utenti stessi escludono la responsabilità del produttore per i danni risultanti.

I rivestimenti per pavimenti devono essere controllati per quanto riguarda l'idoneità del metodo di pulizia prima dell'utilizzo dell'apparecchio!

Tener presente la pressione sulla superficie nel caso di piani elastici, ad esempio nelle palestre!

Il produttore non si assume alcuna responsabilità per danni alla macchina e al rivestimento del pavimento da pulire qualora causati dall'utilizzo sbagliato di spazzole e detergenti.

## CONVENZIONI

Avanti, indietro, anteriore, posteriore, sinistra o destra e superiore sono da intendersi con riferimento alla posizione dell'operatore, vale a dire riferiti alla posizione di lavoro.

## DISIMBALLAGGIO/CONSEGNA

Per disimballare la macchina, seguire attentamente le istruzioni riportate sulla confezione

Quando la macchina viene consegnata, verificare che l'imballaggio e l'apparecchio non siano stati danneggiati durante il trasporto. In caso di danni visibili, conservare la confezione e farla controllare da parte del corriere incaricato della consegna. Chiamare immediatamente il corriere per riempire una richiesta di risarcimento danni.

Controllare il contenuto della confezione per garantire che i seguenti elementi siano presenti:




- apparecchio
- blocco terqipavimento
- spazzola (e disco trascinatore)

## SICUREZZA

I seguenti simboli indicano situazioni potenzialmente pericolose. Leggere sempre attentamente queste informazioni e prendere tutte le necessarie precauzioni per salvaguardare persone e cose.

La collaborazione dell'operatore è essenziale per evitare lesioni. Nessun programma di prevenzione degli incidenti è efficace senza la totale collaborazione della persona responsabile del funzionamento dell'apparecchio. La maggior parte degli incidenti che possono verificarsi in una fabbrica, durante il lavoro o lo spostamento sono causati dalla mancata osservazione delle regole più semplici per un esercizio prudente. Un operatore attento e prudente è la migliore garanzia contro gli infortuni ed è essenziale per il completamento di un programma di prevenzione.

## SIMBOLI USATI PER MARCARE LE ISTRUZIONI

	<b>PERICOLO!</b> Pericolo che porta direttamente a lesioni gravi o irreversibili, o addirittura la morte.
	<b>ATTENZIONE!</b> Pericolo che può portare a lesioni gravi o addirittura la morte.
	<b>AVVERTENZA!</b> Pericolo che può portare a lesioni lievi e dei danni.



**NOTA**

Indica una osservazione relativa a funzioni importanti o utili.

**ISTRUZIONI GENERALI**

Avvertenze e precauzioni specifiche per informare circa eventuali danni alle persone e all'apparecchio sono riportate di seguito.

L'apparecchio deve essere

- utilizzato solo da persone che siano state istruite per l'uso corretto ed esplicitamente incaricate con il compito di operarlo
- utilizzato solo sotto controllo
- non può essere usato da bambini

Il posto di lavoro è dietro al pulitore.

Non utilizzare tecniche di lavoro non sicure.

Guidare sempre il pulitore con entrambe le mani sull'impugnatura.

Quando il pulitore è fermo, spegnere immediatamente la spazzola per evitare danni al rivestimento del pavimento.

Spegnere l'apparecchio e staccare la spina della batteria nelle seguenti situazioni:

- Prima della pulizia e manutenzione
- Prima della sostituzione di componenti
- Prima del trasferimento dell'apparecchio

L'uso del pulitore è soggetto alle vigenti normative nazionali. Osservare le norme riconosciute per un lavoro sicuro e corretto oltre alle istruzioni per l'uso e ai vincoli dei regolamenti per la prevenzione degli infortuni vigenti nel paese di utilizzo.

**TRASPORTO**

Durante il trasporto dell'apparecchio con ascensori

- osservare le norme di sicurezza vigenti, in particolare per quanto riguarda la capacità di carico.

**OPERAZIONE**

Al fine di impedire l'uso non autorizzato dell'apparecchio, la sorgente di alimentazione deve essere spenta o bloccata, per esempio rimuovendo la chiave dell'interruttore di alimentazione.

Prendere tutte le precauzioni necessarie al fine di evitare che capelli, gioielli e abiti troppo larghi siano catturati dall'apparecchio in movimento.

Prima di utilizzare l'apparecchio, chiudere tutti gli sportelli e/o le coperture.

La temperatura di lavoro dell'apparecchio deve essere compresa tra 0°C e +40°C.

L'umidità deve essere compresa tra 30% e 95%.

Non utilizzare l'apparecchio come mezzo di trasporto.

In caso di incendio, usare un estintore a polvere, non uno ad acqua.

Non manomettere i dispositivi di sicurezza dell'apparecchio e seguire scrupolosamente le istruzioni per la manutenzione ordinaria.

Non lasciare che alcun oggetto penetri nelle aperture. Non utilizzare l'apparecchio qualora le aperture fossero ostruite. Mantenere sempre le aperture libere da polvere, capelli e altre impurità che potrebbe ridurre il flusso d'aria.

Non rimuovere o modificare i pannelli posti sull'apparecchio.

Se la macchina viene utilizzata secondo le istruzioni, le vibrazioni non sono pericolose. Il livello di vibrazioni dell'apparecchio è inferiore a 2,5 m/s<sup>2</sup> (98/37/EEC-EN 1033/1995).

Il livello di vibrazioni su mani/braccia è ben al di sotto di 2,5 m/s<sup>2</sup> (misurato secondo la norma ISO 5349), che è il limite per un periodo di lavoro di 8 ore continue.

Questo apparecchio non deve essere utilizzato su strade o vie pubbliche.

Gli apparecchi Viper possono essere utilizzati in combinazione con detersivi standard che non danneggeranno i materiali

degli apparecchi Viper (non utilizzare solventi o altri liquidi aggressivi). Viper non ripagherà l'utente in nessun caso di reclamo riguardante l'uso nei suoi apparecchi di detergenti aggressivi. Se ci fosse bisogno di un detersivo specifico per la pulizia, si prega di contattare il rivenditore Viper.

Prestare attenzione durante il trasporto dell'apparecchio quando la temperatura è al di sotto del punto di congelamento. L'acqua nel serbatoio o nelle tubazioni potrebbe congelarsi e danneggiare seriamente l'apparecchio.

## MANUTENZIONE

Per garantire un funzionamento corretto e sicuro della macchina, la manutenzione programmata indicata nel relativo capitolo di questo manuale, deve essere effettuata da personale autorizzato o dal Centro di Servizi Viper.

Leggere attentamente tutte le istruzioni prima di eseguire qualsiasi intervento di manutenzione o una procedura di riparazione.

Non lavorare sotto all'apparecchio sollevato senza il sostegno di cavalletti di sicurezza.

Non lavare la macchina con getti d'acqua diretti o in pressione o con sostanze corrosive.

## GARANZIA


Per quanto riguarda la garanzia sono applicabili le nostre condizioni commerciali generali.


Modifiche non autorizzate all'apparecchio, l'uso di spazzole e detergenti errati oltre all'utilizzo dell'apparecchio in un modo diverso da quello per gli scopi previsti esonerano il produttore da qualsiasi responsabilità per i danni risultanti.

## PROVE E CERTIFICAZIONI

Test elettrici devono essere effettuati in conformità con le disposizioni delle norme di sicurezza (BGV A3) e la norma DIN VDE 0701 Parte 1 e Parte 3. Secondo la norma DIN VDE 0702 questi test devono essere effettuati ad intervalli regolari e dopo riparazioni o modifiche.

## COMPONENTI ELETTRICHE

	<p><b>PERICOLO</b> Batterie. Rischio di esplosione.</p> <ul style="list-style-type: none"> <li>➤ La carica della batteria produce idrogeno gassoso altamente esplosivo. Tenere aperto il serbatoio durante la ricarica della batteria ed eseguire questa procedura in luogo ben ventilato e lontano da fiamme libere.</li> <li>➤ Per ridurre il rischio di incendi, scosse elettriche o lesioni, non lasciare l'apparecchio incustodito quando è collegato. Prima di eseguire qualsiasi intervento di manutenzione, scollegare il cavo del caricabatterie dalla rete elettrica.</li> <li>➤ Non fumare durante la carica delle batterie.</li> <li>➤ L'uso di pezzi di ricambio, accessori, batterie e caricabatterie non originali, può compromettere la sicurezza dell'apparecchio. Utilizzare solo pezzi di ricambio e accessori Viper e utilizzare batterie e caricabatterie consigliate da VIPER. Quando si utilizzano batterie e caricabatterie non certificate e non consigliate, VIPER non coprirà il costo dei danni (in garanzia) causati da queste parti.</li> </ul>
---	---

	<p><b>AVVERTENZA</b> Caricamento batterie. Scossa elettrica dovuta a guasti del cavo di collegamento della rete o del cavo del caricabatterie. Il contatto con un cavo di collegamento di rete o un cavo di ricarica difettoso può causare ferite gravi o addirittura mortali.</p> <ul style="list-style-type: none"> <li>➤ Tenere la batteria lontana da scintille, fiamme e materiale incandescente. Durante il normale funzionamento vengono rilasciati gas esplosivi,</li> <li>➤ Prima di utilizzare il caricabatterie, assicurarsi che i valori di frequenza e di tensione, indicati sulla targhetta del numero di serie della macchina, corrispondano alla tensione elettrica di rete.</li> <li>➤ Non danneggiare il cavo di alimentazione di rete (ad esempio passandogli sopra, strappandolo, schiacciandolo).</li> <li>➤ Controllare regolarmente se il cavo di alimentazione è danneggiato o mostra segni di invecchiamento.</li> <li>➤ In caso di un cavo di collegamento dell'alimentazione difettoso, farselo sostituire dal rappresentante del servizio Viper o da un elettricista qualificato prima di riutilizzare l'apparecchio.</li> <li>➤ Non tirare o trasportare l'apparecchio dal cavo di ricarica della batteria e non usare mai il cavo del caricabatteria come impugnatura. Non chiudere una porta sul cavo del caricabatterie, o tirare il cavo del caricabatterie attorno a bordi o angoli taglienti.</li> <li>➤ Tenere il cavo del caricabatterie lontano da superfici calde.</li> <li>➤ Non caricare le batterie se il cavo del caricabatteria o la spina fossero danneggiati. Se l'apparecchio non</li> </ul>
---	---

funzionasse come dovrebbe, se fosse stato danneggiato, lasciato all'aperto o se fosse caduto in acqua, recarsi al Centro di Assistenza.

## SCALE E PENDENZE



### AVVERTENZA

Rischio di ribaltamento e scivolamenti su scale e pendenze.

Quando si affrontano scale e pendenze, vi è il rischio di lesioni personali e danni alle proprietà.

- Non affrontare gradini.
- Utilizzare l'apparecchio solo su superfici piane, con una pendenza massima del 2%.

## RIVESTIMENTI PER PAVIMENTI



### AVVERTENZA

Danni alle coperture di pavimenti delicati.

Pavimenti particolarmente delicati possono essere danneggiati dalla pulitura.

- Prima di utilizzare l'apparecchio, verificare che i pavimenti siano adatti per questa tecnica di pulizia.
- Fare attenzione alla pressione sulla superficie nel caso di pavimenti elastici, ad esempio nelle palestre.
- Utilizzare solo detersivi approvati dalla Viper.

## MATERIALI PERICOLOSI PER LA SALUTE



### ATTENZIONE

Materiali pericolosi per la salute in rivestimenti per pavimenti.

I rivestimenti per pavimenti possono contenere materiali che sono pericolosi per la salute, che si sciolgono durante la pulizia.

- Non pulire pavimenti con rivestimenti che possano sciogliersi durante la pulizia rilasciando polveri o liquidi pericolosi per la salute.

## RISCHIO DI ESPLOSIONE



### ATTENZIONE

Materiali infiammabili ed esplosivi.

Rischio di esplosione in atmosfera potenzialmente esplosiva o zone in cui siano presenti sostanze infiammabili ed esplosive.

- Non utilizzare l'apparecchio vicino polveri, liquidi o vapori pericolosi, infiammabili e/o esplosivi.

## PARTI DI RICAMBIO E ACCESSORI



### AVVERTENZA

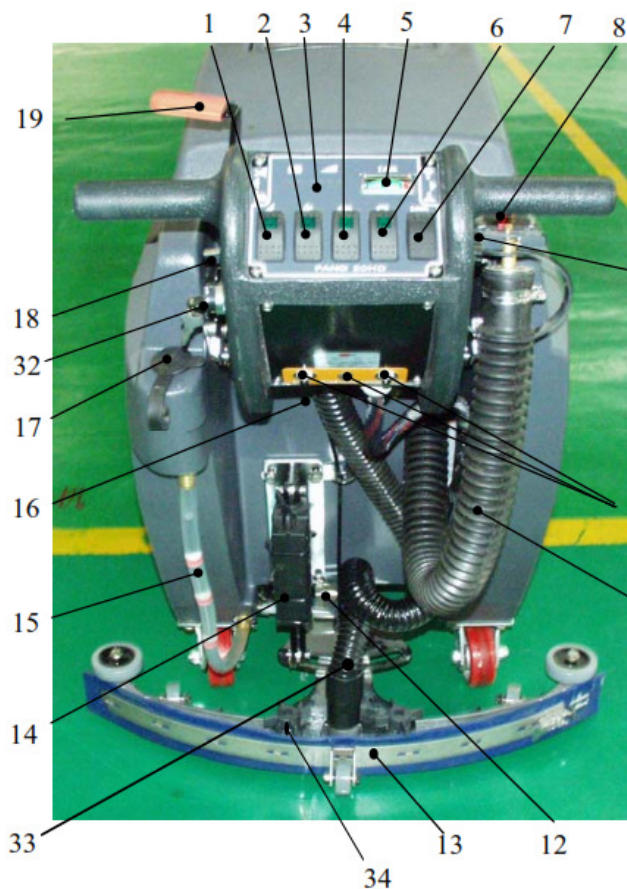
Componenti non originali e detersivi non idonei.

L'uso di ricambi non originali e detersivi non idonei possono compromettere la sicurezza dell'apparecchio e causare danni.

- Utilizzare solo parti di ricambio e accessori Viper.
- Utilizzare solo gli accessori e detersivi in dotazione con l'apparecchio o quelli specificati nelle istruzioni per l'uso.

## DESCRIZIONE DELL'APPARECCHIO

## STRUTTURA DELL'APPARECCHIO



1. Interruttore alimentazione principale ON/OFF (Acceso/Spento)
2. Interruttore aspirazione ON/OFF (Acceso/Spento)
3. Misuratore del livello della batteria
4. Interruttore spazzola ON/OFF (Accesa/Spenta)
5. Misuratore di pressione della spazzola
6. Interruttore soluzione detergente ON/OFF (Acceso/Spento)
7. Interruttore pressione spazzola UP/DOWN (SU/GIÙ)
8. Manopola di controllo della soluzione detergente
9. Manopola velocità
10. Interruttori di protezione
11. Tubo di scarico del serbatoio di recupero
12. Dado di regolazione tergipavimento e albero
13. Blocco tergipavimento
14. Attuatore testa pulitore
15. Tubo di osservazione del serbatoio della soluzione detergente

16. Leve di regolazione della console
17. Area di riempimento posteriore
18. Interruttore di inversione
19. Leva di sollevamento del tergipavimento
20. Alloggiamento controllo
21. Grilletti operativi
22. Serbatoio soluzione detergente
23. Ruote posteriori
24. Ruote di trasporto
25. Testa pulitore
26. Lembo testa pulitore
27. Fermo lembo alloggiamento
28. Rulli di protezione
29. Area di riempimento frontale
30. Serbatoio di recupero
31. Coperchio del serbatoio di recupero
32. Interruttore a chiave
33. Tubo di aspirazione del tergipavimento
34. Manopola montaggio del tergipavimento

Manopola montaggio del tergipavimento

**ACCESSORI/OPZIONI**

Oltre ai componenti standard, l'apparecchio può essere dotato dei seguenti accessori/opzioni, secondo il suo uso specifico:

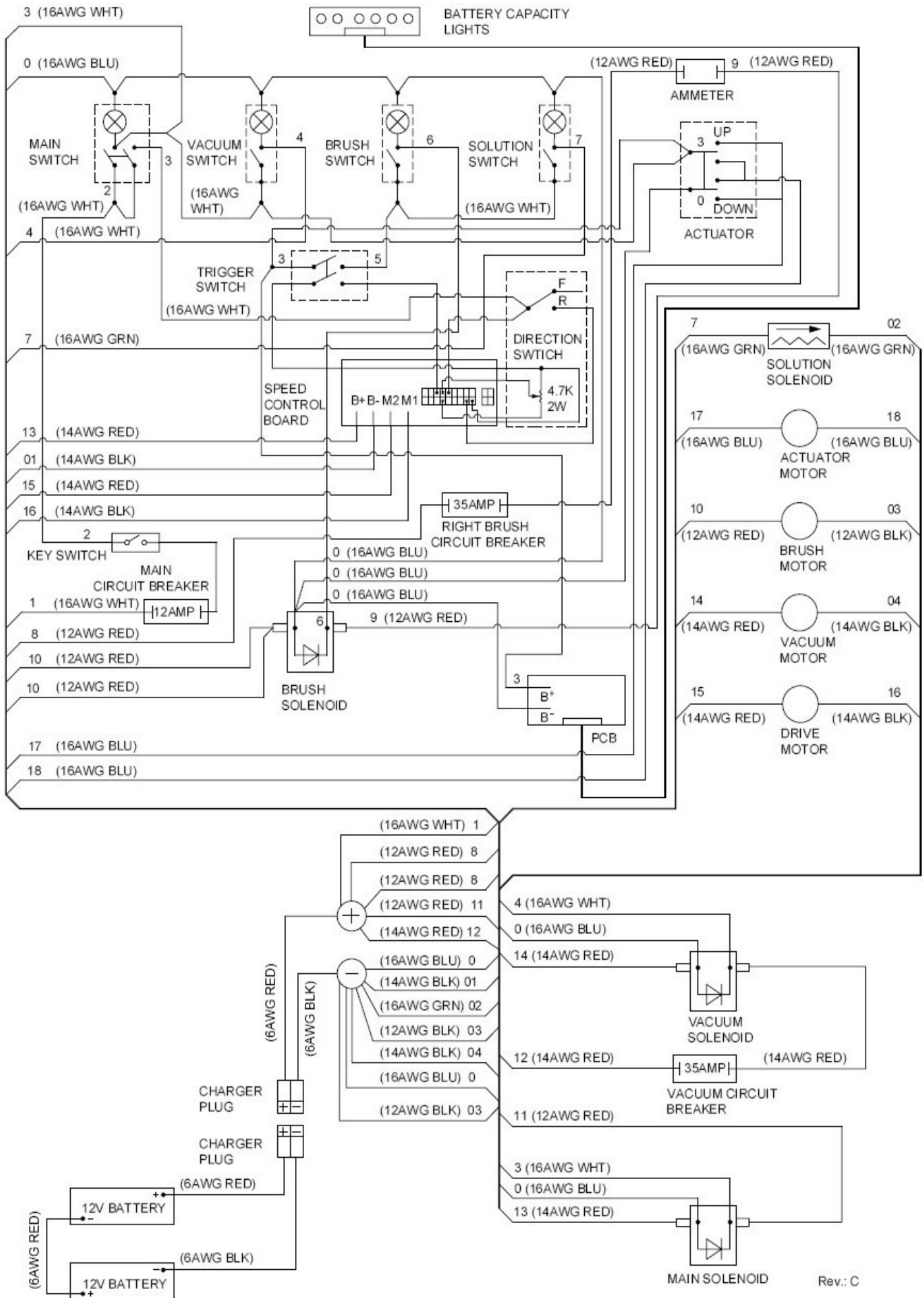
- Spazzole
- Disco trascinatore

Per ulteriori informazioni riguardanti gli accessori opzionali, rivolgersi ad un rivenditore autorizzato.

**DATI TECNICI**

Caratteristica		<b>FANG 20HD-EU (1 supporto per spazzola/pad, con sistema di guida)</b>
Altezza apparecchio	mm	990
Capacità serbatoio soluzione detergente o acqua pulita	l	61
Capacità serbatoio acqua di recupero	l	61
Diametro della ruota anteriore	mm	76
Diametro della ruota posteriore	mm	200
Potenza del motore del sistema di aspirazione	W	400
Potenza del motore del sistema di trazione	W	250
Velocità di movimento (variabile)	km/h	0 – 4.5
Pendenza superabile	%	2
Livello di pressione sonora nella postazione di lavoro	dB(A)	69
Batterie standard	Ah @ 20 h	2 x 12V/215AmP.hR
Capacità del circuito del sistema di aspirazione	mm H2O	1.397
Larghezza di pulitura	mm	510
Larghezza tergipavimento	mm	750
Lunghezza massima apparecchio	mm	1.350
Larghezza apparecchio senza tergipavimento	mm	560
Diametro spazzola	mm	510
Peso senza batterie e serbatoi vuoti	kg	107
Peso massimo con batterie e serbatoi pieni	kg	181
Potenza del motore della spazzola	W	560
Velocità spazzola	rpm	200
Pressione spazzola/disco imbottito	kg	UP TO91





MAIN SOLENOID Rev.: C



**SCHEMA ELETTRICO PER FANG 20HD-UE**

## SCHEMA ELETTRICO PER FANG 20HD-UE

## Codice colori

NER	Nero
BLU	Blue
VER	Verde
ROS	Rosso
BIA	Bianco

1	BATTERY CAPACITY LIGHTS	LUCI CAPACITÀ DELLA BATTERIA
2	MAIN SWITCH	INTERRUTTORE GENERALE
3	VACUUM SWITCH	INTERRUTTORE ASPIRAZIONE
4	BRUSH SWITCH	INTERRUTTORE SPAZZOLA
5	SOLUTION SWITCH	INTERRUTTORE SOLUZIONE
6	AMMETER	AMPEROMETRO
7	ACTUATOR	ATTUATORE
8	TRIGGER SWITCH	GRILLETTO
9	SPEED CONTROL BOARD	SCHEDA GESTIONE VELOCITÀ
10	DIRECTION SWITCH	INTERRUTTORE DIREZIONE
11	RIGHT BRUSH CIRCUIT	INTERRUTTORE DI PROTEZIONE SPAZZOLA
12	KEY SWITCH	INTERRUTTORE A CHIAVE
13	MAIN CIRCUIT BREAKER	INTERRUTTORE DI PROTEZIONE PRINCIPALE
14	BRUSH SOLENOID	SOLENOIDE SPAZZOLA
15	PCB	PCB
16	SOLUTION SOLENOID	SOLENOIDE SOLUZIONE
17	ACTUATOR MOTOR	MOTORE ATTUATORE
18	BRUSH MOTOR	MOTORE SPAZZOLA
19	VACUUM MOTOR	MOTORE DI ASPIRAZIONE
20	DRIVE MOTOR	MOTORE DI GUIDA
21	VACUUM SOLENOID	SOLENOIDE ASPIRAZIONE
22	VACUUM CIRCUIT BREAKER	INTERRUTTORE DI PROTEZIONE ASPIRAZIONE
23	MAIN SOLENIOD	SOLENOIDE PRINCIPALE
24	CHARGER PLUG	PRESA CARICATORE
25	BATTERY	BATTERIA

## FUNZIONAMENTO

### PRIMA DI AVVIARE L'APPARECCHIO



#### ATTENZIONE!

Su alcuni punti della macchina ci sono targhette adesive indicanti:

PERICOLO  
ATTENZIONE/PERICOLO  
AVVERTENZA  
CONSULTARE IL MANUALE

Durante la lettura di questo manuale, l'operatore deve prestare particolare attenzione ai simboli che compaiono sulle targhette. Non coprire queste targhette per alcun motivo e immediatamente sostituirle se danneggiate.

### INSTALLAZIONE DELLA BATTERIA

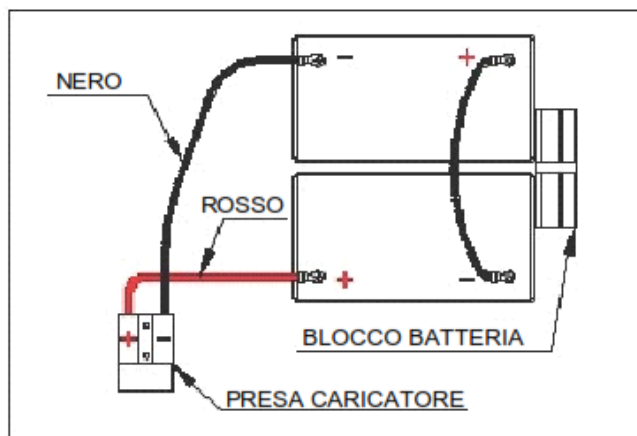


#### ATTENZIONE!

I componenti elettrici dell'apparecchio possono essere gravemente danneggiati se le batterie sono o non correttamente installate o collegate. Le batterie devono essere installate solo da personale qualificato.

- Impostare la scheda elettronica di funzione e il caricabatterie (opzionale) a seconda del tipo di batterie utilizzate (WET/UMIDE o GEL).
- Controllare le batterie per eventuali danni prima della loro installazione.
- Staccare il connettore della batteria dalla presa del caricabatterie.
- Maneggiare le batterie con grande cura.
- Installare i tappi di protezione dei terminali della batteria in dotazione con l'apparecchio.

La macchina necessita di due batterie da 12 V, collegate secondo lo schema sottostante:



Quando si acquista l'apparecchio non ci sono batterie preinstallate, ma i clienti devono acquistarle (WET/UMIDE o GEL).

- Comprare le batterie appropriate (vedere la sezione Dati Tecnici).
- Per la scelta e l'installazione della batteria, riferirsi ai rivenditori qualificati di batterie.
- Impostare la macchina e il caricabatteria in funzione del tipo di batterie installate (WET/UMIDE o GEL) come mostrato nel seguente paragrafo.

a) Quando le batterie (WET/UMIDE o GEL) sono già installate e pronte per essere utilizzate

- Verificare che le batterie siano collegate nell'apparecchio alla presa del caricabatterie.
- Inserire la chiave di accensione (32) e ruotarla su "ON/ACCESO".

Se la spia verde (3) si accende, le batterie sono pronte per essere utilizzati.

Se la spia di allarme gialla o rossa (3) si accende, le batterie devono essere caricate (vedere la procedura nel capitolo Manutenzione).

b) Quando le batterie (WET/UMIDE) sono installate nell'apparecchio, ma senza elettrolita

- Aprire il coperchio (31) e controllare che il serbatoio di recupero dell'acqua (30) sia vuoto, altrimenti svuotarlo attraverso il tubo di scarico (11).
- Sollevare con cautela il serbatoio (30).



#### ATTENZIONE!

Prestare attenzione quando si utilizza acido solforico, come è corrosivo. Se viene a contatto con la pelle o gli occhi, sciacquare abbondantemente con acqua e consultare un medico.

Le batterie devono essere compilati in un luogo ben ventilato. Indossare guanti di protezione.

- Riempire le celle della batteria con acido solforico per batterie (densità 1,27-1,29 kg a 25°C) secondo le istruzioni riportate nel Manuale della Batteria. La corretta quantità di acido solforico è mostrato nel Manuale della Batteria.
- Per evitare di danneggiare il pavimento, asciugare con un panno sia l'acido che l'acqua la parte superiore delle batterie dopo la carica.
- Lasciare riposare batterie e riempire poi con acido solforico in conformità con le istruzioni riportate nel Manuale della Batteria.
- Caricare le batterie (vedere la procedura nel capitolo Manutenzione).

### IMPOSTAZIONE CARICAMENTO BATTERIE

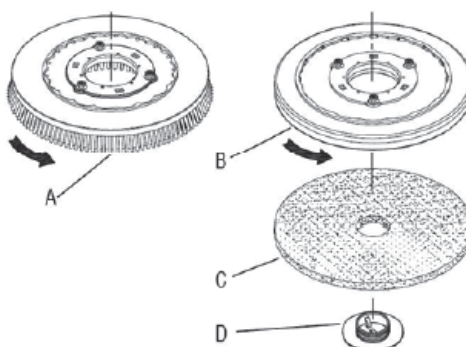
- L'impostazione di fabbrica è nella posizione di caricabatterie normale per batterie di tipo AGM, Gel, SLA, VRLA
- Se necessario utilizzare la posizione WET/UMIDE solo per le batterie al piombo. Si prega di contattare il rivenditore.

### CONTROLLI PRE-OPERAZIONI

- Controllare l'esterno dell'apparecchio.
- Assicurarsi che la tensione dell'apparecchio sia conforme con la tensione della rete locale.
- Controllare che il tergipavimento sia installato correttamente.
- Controllare che la spazzola o il disco trascinatore siano installati correttamente.

### INSTALLAZIONE DEL DISCO TRASCINATORE O DELLA SPAZZOLA

- Assicurarsi che l'apparecchio sia spento.
- Abbassare a terra il blocco della testa della spazzola salendo con il piede sulla pedalina e spingendo il pedale in avanti.
- Inclinare la macchina all'indietro per accedere al mozzo del motore.



#### NOTA

Rimuovere il blocco tergipavimento prima di inclinare la macchina all'indietro. Ciò renderà il processo più veloce e semplice.



#### ATTENZIONE!

Non tenere la macchina ribaltata per lungo tempo. Ciò potrebbe causare la fuoriuscita dell'acido dalle batterie.

- Se si utilizza un disco trascinatore, prima di tutto applicare l'imbottitura adeguata alla superficie del disco.
- Montare il disco trascinatore o la spazzola al mozzo del motore allineando i tre perni con i tre fori nel mozzo del motore. Una volta che entrano nei fori, ruotare il disco trascinatore verso il fermaglio a molla per bloccarlo in posizione.

### MONTAGGIO DEL TERGIPAVIMENTO

- Tirare indietro la leva di sollevamento del tergipavimento per alzare la sua staffa verso l'alto.
- Allentare le due manopole poste sul tergipavimento e far scorrerlo nelle fessure sul retro della staffa (le ruote del tergipavimento punteranno verso retro).
- Serrare le manopole.



## RIEMPIMENTO DEL SERBATOIO DELLA SOLUZIONE DETERGENTE

Il Fang 20HD-UE può essere riempito in due posti diversi:

- a. Area di riempimento frontale usando un tubo o un secchio.
  - b. Area di riempimento posteriore usando solo un tubo.
- Scegliere l'area di riempimento che si desidera utilizzare per riempire con acqua.
  - Riempire il serbatoio della soluzione detergente con un massimo di 52 litri di acqua. (La temperatura dell'acqua non deve superare i 40°C). Il tubo trasparente nella parte posteriore sinistra dell'apparecchio ha marcatori che indicano i galloni di liquido per aiutare a determinare il livello dell'acqua nel serbatoio.



### NOTA

Se si sta riempiendo il serbatoio con un secchio, assicurarsi che il secchio sia pulito. Questo impedirà che detriti intasino le linee o i solenoidi.



### ATTENZIONE!

Non mettere materiali infiammabili nel serbatoio della soluzione detergente. Ciò potrebbe causare un'esplosione o un incendio. Utilizzare solo i prodotti chimici di pulizia consigliati. Contattare il vostro fornitore dei prodotti di pulizia per consigli sui prodotti chimici adeguati

## ACCENSIONE E SPEGNIMENTO DELL'APPARECCHIO



### ATTENZIONE!

Non utilizzare la macchina senza aver letto e capito questo manuale.

- Impostare l'alloggiamento del controllo ad un'altezza di lavoro confortevole premendo insieme le due leve (16) poste direttamente sotto l'alloggiamento.
- Abbassare sul pavimento il blocco del tergipavimento rilasciando la leva di sollevamento (19) dalla sua posizione di blocco.
- Abbassare sul pavimento il blocco della spazzola di testa girando l'interruttore di pressione della spazzola (7) in posizione ON/ACCESO.
- Posizionare l'interruttore di alimentazione principale (1) in posizione "ON/ACCESO".
- Posizionare l'interruttore del motore della spazzola (4) in posizione "ON/ACCESO".
- Posizionare l'interruttore del motore di aspirazione (2) in posizione "ON/ACCESO".
- Posizionare l'interruttore della soluzione detergente (6) in posizione "ON/ACCESO".
- a. La soluzione non comincerà a scorrere finché non si tirino i grilletti operativi.
- Il Fang 20HD-UE è semovente. La velocità può essere controllata da una manopola (9) che si trova sul lato destro dell'alloggiamento di controllo.
- Il Fang 20HD-UE ha un'inversione di marcia. Per attivare l'inversione, c'è un interruttore a leva (18) sul lato sinistro dell'alloggiamento di controllo.
- Per iniziare lavaggio, tirare uno o entrambi i grilletti operativi rossi (21). Quando questi inneschi sono tirati, il pennello inizierà a ruotare e la soluzione inizierà a scorrere. FANG20HD-EU: unità semovente. FANG20HD-UE: Iniziare il lavaggio muovendo la macchina in avanti.



### ATTENZIONE!

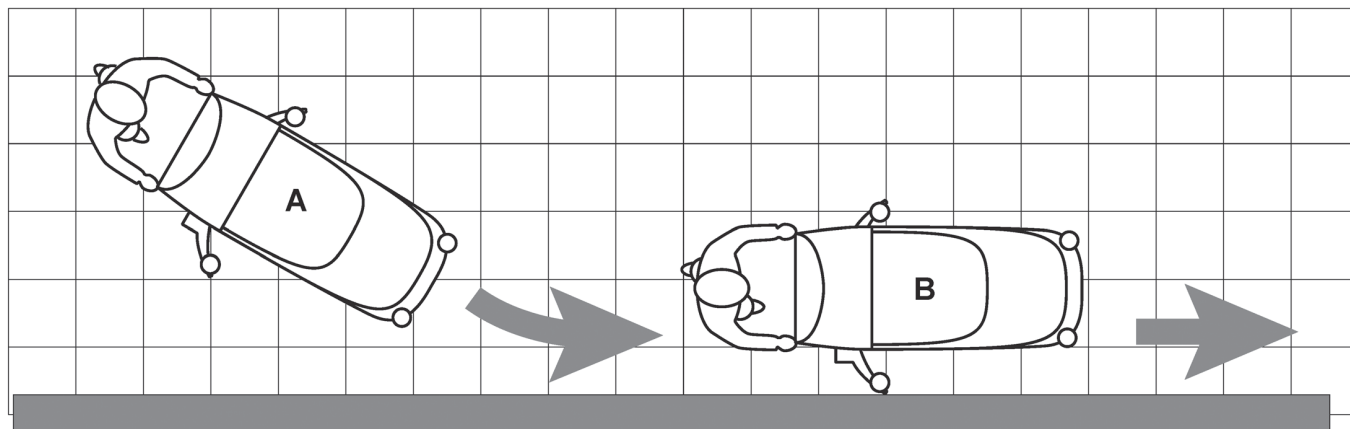
Non tenere la macchina nella stessa posizione con il disco imbottito o la spazzola in rotazione, perché ciò potrebbe causare danni al pavimento.

- Regolare la quantità di flusso della soluzione ruotando la manopola soluzione (8). Girare verso destra per avere più soluzione, o girare a sinistra per avere una quantità minore di soluzione.



### NOTA

Per un corretto lavaggio/asciugatura dei pavimenti ai lati delle pareti, Viper suggerisce di avvicinarsi alle pareti con il lato destro della macchina come mostrato nella figura sottostante.

**AVVERTENZA!**

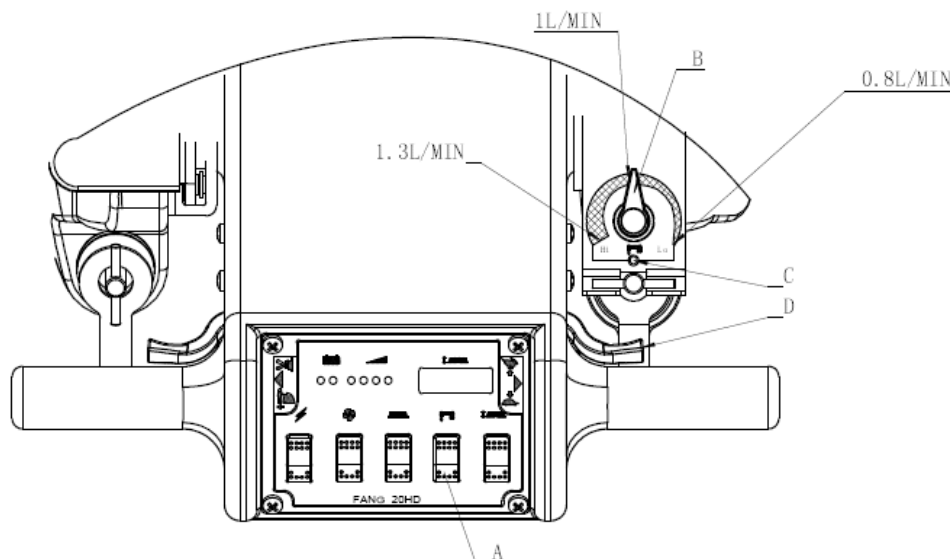
Per evitare di danneggiare la superficie del pavimento, spegnere la spazzola o il disco imbottito quando l'apparecchio si ferma in un posto, in particolare quando la funzione di pressione supplementare è attivata.

**REGOLAZIONE FLUSSO SOLUZIONE DETERGENTE**

- Posizionare l'interruttore della soluzione detergente (A) in posizione "ON/ACCESO".
- Regolare la quantità di flusso della soluzione detergente ruotando la manopola di controllo della soluzione (B), girando verso sinistra (in senso antiorario) per avere una maggiore erogazione soluzioni, o verso destra (in senso orario) per una minore erogazione. Il perno (C) è la posizione limite della manopola della soluzione detergente (B).

**NOTA**

Anche portando l'interruttore della soluzione detergente (A) in posizione di accensione, la soluzione non inizierà a fluire finché i grilletti operativi (D) non vengano tirati.

**SCARICAMENTO DELLE BATTERIE DURANTE IL FUNZIONAMENTO**

Fino a quando la spia verde (3) rimane accesa, le batterie permettono all'apparecchio di funzionare normalmente.

Quando la spia verde (3) si spegnerà e la spia gialla (3) si accenderà, si consiglia di ricaricare le batterie, poiché l'autonomia residua dell'apparecchio sarà solo di alcuni minuti (a seconda delle caratteristiche della batteria e il lavoro da effettuare).

Quando la spia rossa (3) si accenderà, l'autonomia sarà finita. Dopo alcuni secondi, la spazzola o il disco imbottito saranno automaticamente spenti, mentre il sistema di aspirazione e il sistema di azionamento resteranno accesi, per finire l'asciugatura del pavimento e guidare l'apparecchio all'area di ricarica designata.

**AVVERTENZA!**

Non utilizzare l'apparecchio con batterie scariche, per evitare di danneggiare le batterie e ridurre la loro durata di vita.

**DURANTE IL FUNZIONAMENTO DELL'APPARECCHIO**

- Di tanto in tanto guardare attraverso il tappo trasparente del serbatoio di recupero per vedere se c'è qualche accumulo di schiuma. Se c'è troppa schiuma, aggiungere antischiuma al serbatoio di recupero.

**ATTENZIONE!**

La schiuma non deve entrare nello schermo galleggiante di spegnimento, o si potrebbero verificare dei danni al motore di aspirazione. La schiuma non attiva il dispositivo galleggiante di spegnimento dell'apparecchio.

- Di tanto in tanto osservare il tubo trasparente nella parte posteriore sinistra dell'apparecchio per verificare la quantità della soluzione di lavaggio che è ancora presente nel serbatoio.
- Di tanto in tanto controllare il misuratore di livello della batteria (3). Quando è in rosso, ricaricare le batterie.

**ATTENZIONE!**

Quando l'indicatore della batteria è in rosso, non continuare a utilizzare l'apparecchio. Si potrebbero causare danni alla batteria.

- Se il tergilavaggio lasciasse strisce sul pavimento, alzarlo dal pavimento e pulire le lame con un panno umido.

**ATTENZIONE!**

Non utilizzare le dita per pulire o rimuovere i detriti dalle lame, poiché c'è il rischio di ferirsi.

- Quando il serbatoio si svuota, spegnere l'interruttore della spazzola, l'interruttore della soluzione detergente e sollevare la spazzola stessa. Tenere il tergilavaggio abbassato e continuare con l'aspirazione finché tutta l'acqua sporca sia prelevato dal pavimento. (Vedere la sezione sullo SVUOTAMENTO SERBATOIO per imparare a drenare i serbatoi di recupero e della soluzione detergente)

**NOTA**

Il motore della spazzola è dotato di un interruttore di protezione per evitare eventuali danni. Se questo interruttore di sicurezza scattasse, non può essere resettato immediatamente. È necessario in primo luogo determinare cosa ha causato l'interruzione delle normali operazioni, e lasciare che il motore si raffreddi prima di poter resettare l'interruttore di protezione.

**SVUOTAMENTO SERBATOIO**

- Spegner l'apparecchio.
- Con il tergilavaggio e la spazzola in posizione "UP/SU", trasportare l'apparecchio nelle aree adeguate per lo scarico di serbatoi.

**SVUOTAMENTO DEL SERBATOIO DI RECUPERO (SPORCO)****NOTA**

Quando una qualsiasi operazione di pulitura è terminata, o in fase di rabbocco del serbatoio della soluzione detergente, il serbatoio di recupero dovrebbe essere svuotato e pulito.

**ATTENZIONE!**

Se il serbatoio di recupero non viene svuotato quando è stato riempito, schiuma o acqua possono entrare nel meccanismo galleggiante di spegnimento e causare danni al motore di aspirazione.

- Rimuovere il tubo di scarico dal supporto, e posizionarlo sopra il pozzetto. Svitare il tappo del tubo di scarico per iniziare il processo di svuotamento. Per svuotare completamente il serbatoio di recupero, aprire la cerniera del serbatoio di recupero e lasciarlo "scolare" sul supporto.
- Pulire il serbatoio di recupero dopo ogni uso. Utilizzare un tubo con acqua fresca per risciacquare il serbatoio di recupero. Fare attenzione a non spruzzare acqua nel meccanismo galleggiante di spegnimento.


**NOTA**

Se non si utilizza l'apparecchio per un certo periodo di tempo, lasciare svitato il coperchio trasparente del serbatoio di recupero così il serbatoio può asciugare completamente e avere un odore fresco.




- Riavvitare ermeticamente il tappo del tubo di scarico non appena si è svuotato il serbatoio.


### SVUOTAMENTO DEL SERBATOIO DELLA SOLUZIONE DETERGENTE (PULITO)


	<p><b>NOTA</b> Dopo che una qualsiasi operazione di lavaggio sia completata, il serbatoio della soluzione detergente deve essere svuotato e pulito.</p>
---	---


- Tirare verso il basso il tubo trasparente (lato posteriore sinistro dell'apparecchio) per rimuoverlo dal portagomma. Questo permetterà alla soluzione di fluire liberamente in un secchio o nello scarico a pavimento.
- Dopo ogni utilizzo, sciacquare il serbatoio con acqua pulita. Questo aiuterà a prevenire l'accumulo di sostanze chimiche e l'intasamento delle linee idrauliche della soluzione detergente.
- Con l'acqua pulita nel serbatoio della soluzione detergente, accendere l'apparecchio, posizionare l'interruttore della soluzione detergente in posizione "ON/ACCESO" e tirare il grilletto operativo. Ciò permetterà all'acqua pulita di lavare e pulire l'impianto idraulico della soluzione detergente.
- Una volta che il serbatoio è stato risciacquato, lavato e scolato, ricollegare il tubo trasparente al portagomma. Assicurarsi che il tubo sia completamente inserito nel portagomma.

### CARICAMENTO BATTERIA

	<p><b>NOTA</b> Per le migliori prestazioni dell'apparecchio, assicurarsi che le batterie siano sempre cariche. Non lasciarle in uno stato di scarica.</p>
---	---

	<p><b>NOTA</b> Se l'apparecchio ha un caricabatterie opzionale installato, allora non può funzionare se il caricabatterie non è a bordo. In caso di malfunzionamento del caricabatterie, contattare un centro di assistenza autorizzato.</p>
--	--

	<p><b>AVVERTENZA!</b> Utilizzare solo caricabatterie approvati con le seguenti specifiche:</p> <ul style="list-style-type: none"> <li>● Spegnimento automatico del circuito</li> <li>● Ciclo di caricamento completo</li> <li>● Corrente di uscita di 10-20 A</li> <li>● Tensione di uscita di 24 V</li> </ul>
---	--

	<p><b>AVVERTENZA!</b> Le batterie sono pericolose! Batterie emettono idrogeno gassoso e si può provocare un'esplosione o un incendio. Tenere sempre scintille e fuoco di distanza dalle batterie. Quando si carica l'apparecchio, accertarsi che il vano batteria sia stato lasciato aperto.</p>
---	--



- Posizionare il caricabatterie e l'apparecchio in una zona ben ventilata.

- Spegnerne l'apparecchio.
- Aprire il serbatoio di recupero, esponendo vano batterie.
- Controllare il livello del liquido in ogni cella della batteria. Non caricare le batterie a meno che il fluido non copra leggermente le piastre della batteria. Non riempire eccessivamente le batterie. Un riempimento eccessivo può far sì che le batterie straripino durante la carica a causa dell'espansione. Sostituire i tappi prima della ricarica.
- Collegare un caricabatterie approvato a una presa a muro con messa a terra prima di collegare il caricabatterie all'apparecchio.
- Inserire la spina nella presa di ricarica rossa del caricatore situata nella parte anteriore sinistra del vano batterie.
- Sollevare il "cavalletto" del serbatoio di recupero e abbassare delicatamente il serbatoio di recupero fino a quando sia appoggiato sul cavalletto.
- Il caricabatteria inizierà automaticamente a ricaricare le batterie, e si spegnerà automaticamente una volta che le batterie sono completamente cariche.
- Al termine della carica, prima di tutto scollegare il caricabatterie dalla presa a muro e poi scollegare il caricabatterie dall'apparecchio.
- Controllare il livello della batteria dopo che la carica è completata. Se il livello del liquido è basso, aggiungere acqua distillata per aumentare il livello del liquido fino al fondo dei tubi a vista. Sostituire i tappi e pulire le batterie con un asciugamano.

## MANUTENZIONE

Affinché le prestazioni dell'apparecchio siano buone per molti anni, si prega di seguire le seguenti procedure di manutenzione.



### AVVERTENZA!

Verificare sempre che l'apparecchio sia spento e il cavo della batteria scollegato prima di eseguire qualsiasi manutenzione o riparazione.

## MANUTENZIONE GIORNALIERA

- Rimuovere il disco trascinatore o la spazzola e pulire con un detergente approvato.
- Svotare completamente i serbatoi di recupero e della soluzione detergente e risciacquare con acqua pulita. Controllare visivamente che non ci siano detriti nel serbatoio di recupero e pulire se necessario.
- Sollevare il blocco del tergilavaggio dal pavimento e pulire con un panno umido. Assicurarsi di mantenere il tergilavaggio in posizione sollevata.
- Rimuovere il dispositivo galleggiante di spegnimento dell'apparecchio e sciacquarlo con acqua pulita.
- Pulire l'apparecchio con un detergente approvato e un panno umido. Non spruzzare acqua per pulire l'esterno della macchina per evitare danni al motore e ai collegamenti.
- Ricaricare le batterie.



## MANUTENZIONE SETTIMANALE

- Controllare il livello del liquido nelle batterie.
- Controllare le batterie per cavi allentati o corrosi.
- Mantenere la parte superiore delle batterie libera da corrosione.

## MANUTENZIONE MENSILE

- Verificare la tenuta dell'apparecchio ed eventuali parti di fissaggio allentate.
- Lubrificare tutti i punti di ingrassaggio e i punti di articolazione con spray al silicone e grasso approvato.
- Posizionare l'apparecchio su uno scarico a pavimento. Lavare il sistema della soluzione detergente versando 10 litri di acqua calda e detersivo alcalino approvato nel serbatoio della soluzione e facendo funzionare l'apparecchio (con il controllo della soluzione acceso) per 45 secondi. Spegnerne l'apparecchio e lasciare riposare una notte. Poi il giorno successivo, scolare la soluzione rimanente e sciacquare il serbatoio della soluzione detergente con acqua pulita.

## PULIZIA FILTRO DEL MOTORE DEL SISTEMA DI ASPIRAZIONE

- Portare l'apparecchio su una superficie piana.
- Girare la chiave di accensione (32) su "OFF/SPENTO".
- Aprire il serbatoio di recupero dell'acqua.
- Se necessario, scaricare l'acqua dal serbatoio al fine di rendere visibile il filtro.
- Controllare che il pre-filtro è pulito. Se necessario, pulirlo con acqua e aria compressa, quindi installarlo.
- Eseguire i primi 3 passi precedenti in ordine inverso.

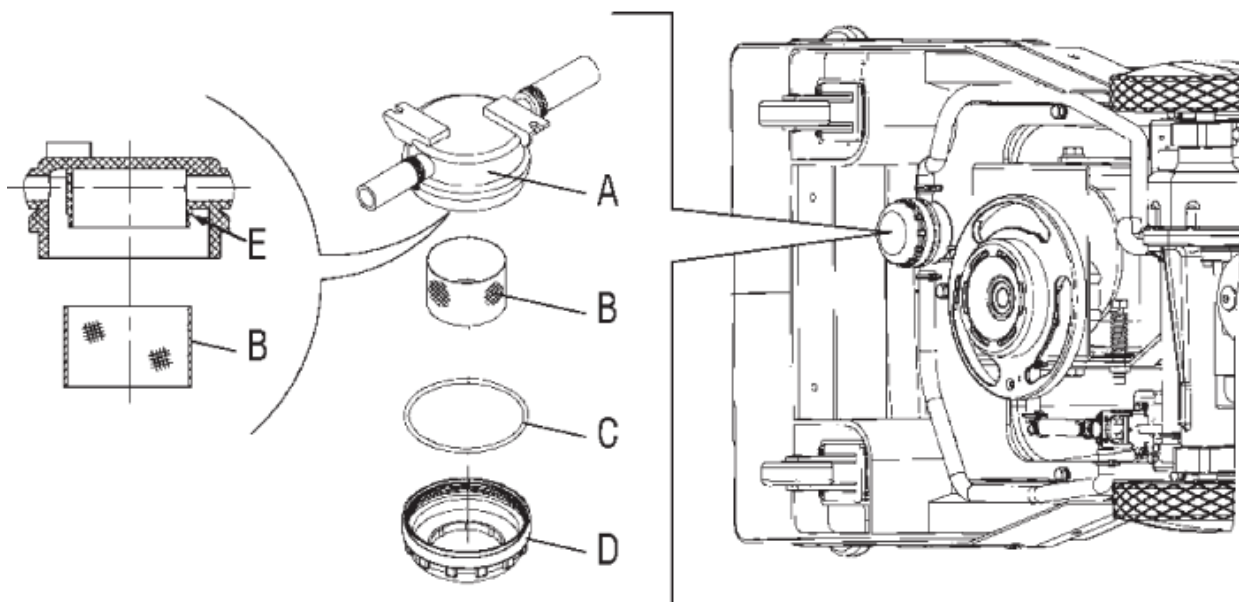
## PULIZIA FILTRO SOLUZIONE/ACQUA PULITA

- Portare l'apparecchio su una superficie piana.
- Girare la chiave di accensione (32) su "OFF/SPENTO".
- Togliere il coperchio trasparente (D) (il filtro dell'acqua è posizionato sotto l'apparecchio), quindi rimuovere il filtro filtro (B). Pulire e reinstallarlo sul supporto (A).



### NOTA

Il filtro di depurazione (B) deve essere correttamente posizionato sull'alloggiamento (E) del supporto (A).



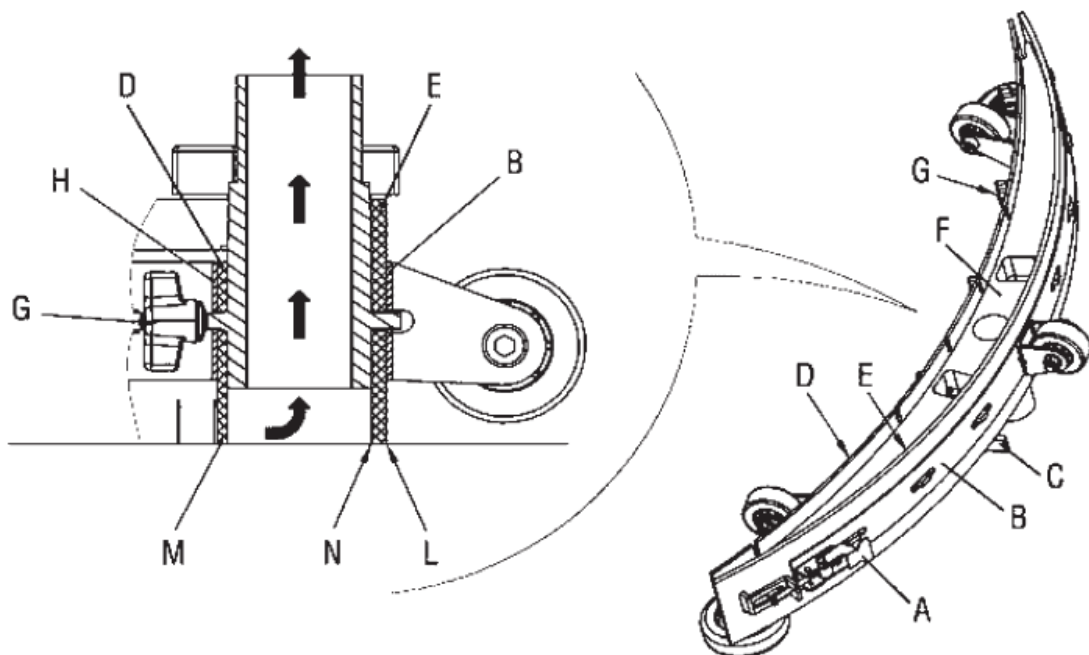
## CONTROLLO E SOSTITUZIONE LAMA TERGIPAVIMENTO

- Pulire il tergipavimento come mostrato nel paragrafo precedente
- Assicurarsi che il bordo (M) della lama anteriore (D) e il bordo (L) della lama posteriore (E) siano sullo stesso piano, lungo tutta la loro lunghezza; in caso contrario, regolare l'altezza secondo la procedura seguente:
  - Sganciare i fermi (A) per regolare la lama posteriore (E), quindi innestare di nuovo i fermi.

- Allentare le manopole (G) e regolare la lama anteriore (D), quindi serrarle di nuovo.
- Controllare l'integrità della lama anteriore (D) e posteriore (E) rispetto a tagli e lacerazioni, se necessario sostituirle come illustrato di seguito. Controllare che l'angolo anteriore (N) della lama posteriore non sia usurato; in caso contrario, ribaltare la lama per sostituire l'angolo usurato con uno integro. Se gli altri angoli sono pure usurati, sostituire la lama secondo la seguente procedura:
  - Sganciare i fermi (A) e rimuovere la striscia di fissaggio (B), quindi sostituire/ribaltare la lama posteriore (E). Installare la lama nell'ordine inverso rispetto alla sua rimozione.
  - Svitare le manopole (G) e rimuovere la striscia di fissaggio (H), quindi sostituire la lama anteriore (D). Installare la lama nell'ordine inverso rispetto alla sua rimozione.

Dopo la sostituzione della lama (o il suo ribaltamento), regolare l'altezza come illustrato nel passaggio precedente.

- Collegare il tubo di aspirazione (33) al tergipavimento.
- Installare il tergipavimento (13) e avvitare le manopole (34).



## PULIZIA SPAZZOLA/DISCO IMBOTTITO



### AVVERTENZA!

Rischio di tagli.

Si consiglia di indossare guanti protettivi quando si pulisce la spazzola o il disco imbottito perché ci potrebbero essere detriti taglienti.

- Rimuovere la spazzola o il disco di trascinamento dall'apparecchio, come illustrato nel capitolo relativo all'Utilizzo.
- Pulire e lavare la spazzola o il disco imbottito con acqua e detergente.
- Controllare che la spazzola o il disco imbottito siano integri e non eccessivamente usurati, in caso contrario sostituire la parte adeguata.

## RISOLUZIONE DEI PROBLEMI

PROBLEMA	CAUSA	SOLUZIONE
Nessuna	Batterie difettose	Cambiare le batterie
	Batterie necessitano caricamento	Ricaricare le batterie (vedi Caricamento Batterie)

PROBLEMA	CAUSA	SOLUZIONE
alimentazione	Cavi batteria allentati	Stringere i cavi allentati
	Batterie non connesse correttamente	Seguire attentamente le istruzioni per l'installazione
Il motore della spazzola non parte	Interruttore spazzola difettoso	Contattare il Distributore Autorizzato Viper
	L'interruttore di protezione della spazzola è scattato	Controllare il motore della spazzola per ostruzioni e resettare l'interruttore di protezione
	Raddrizzatore è bruciato	Contattare il Distributore Autorizzato Viper
	Cablaggio inappropriato	Contattare il Distributore Autorizzato Viper
	Motore della spazzola difettoso	Contattare il Distributore Autorizzato Viper
	Spazzole in carbonio consumate	Contattare il Distributore Autorizzato Viper
	Solenoidi difettosi	Contattare il Distributore Autorizzato Viper
Il motore di aspirazione non parte	Interruttore di aspirazione difettoso	Contattare il Distributore Autorizzato Viper
	Cablaggio inappropriato	Contattare il Distributore Autorizzato Viper
	Motore di aspirazione difettoso	Contattare il Distributore Autorizzato Viper
	Spazzole in carbonio consumate	Contattare il Distributore Autorizzato Viper
Breve durata del funzionamento	Le batterie devono essere ricaricate	Ricaricare le batterie (vedi Caricamento Batterie)
	Le batterie hanno bisogno di manutenzione	Vedi Manutenzione Batterie in questo manuale
	Cella difettosa in una o più batterie	Cambiare le batterie
	Caricabatterie inappropriato	Cambiare il caricatore
Flusso della soluzione detergente minimo o nullo	Interruttore della soluzione detergente è difettoso	Contattare il Distributore Autorizzato Viper
	Solenoidi della soluzione detergente è intasato	Contattare il Distributore Autorizzato Viper
	Filtro della soluzione detergente è intasato	Rimuovere il filtro e pulirlo
	Linea della soluzione detergente è ostruita	Rimuovere la linea e pulirla
	La manopola di regolazione del flusso della soluzione detergente necessita di regolazione	Aumentare il flusso tramite la manopola di regolazione della soluzione girandola verso destra. Diminuire il flusso girando la manopola di regolazione verso sinistra
Scarsa raccolta d'acqua	Tergipavimento è intasato	Rimuovere i detriti dal tergilavaggio con un panno umido
	Lame del tergilavaggio è usurata	Installare nuove lame del tergilavaggio
	Tergipavimento non montato correttamente	Assicurarsi che il blocco del tergilavaggio sia fissato in modo sicuro all'apparecchio e non allentato
	Tubi di aspirazione bucati o allentati	Controllate le connessioni dei tubi e assicurarsi che siano ben salde. Sostituire il tubo se danneggiato
	Tubo di aspirazione può essere intasato	Controllare se ci fossero detriti nel tubo e rimuovere qualsiasi ostruzione
	Tappo del tubo di scarico è allentato	Serrare il tappo di scarico
	Le batterie devono essere ricaricate	Ricaricare le batterie (vedi Caricamento Batterie)
	Motore di aspirazione è allentato	Serrare le viti di fissaggio del motore di aspirazione. Non stringere eccessivamente per evitare che si verifichino danni
	Coperchio del serbatoio di recupero è allentato	Assicurarsi che il coperchio trasparente del serbatoio di recupero sia saldamente in posizione.
	Foro di ingresso al serbatoio di recupero è ostruito	Svuotare il serbatoio di recupero e inclinarlo sul lato. Controllare che il foro di ingresso sia libero da detriti
Serbatoio di recupero è pieno	Svuotare il serbatoio	

PROBLEMA	CAUSA	SOLUZIONE
	Dispositivo galleggiante di spegnimento è intasato	Rimuovere il galleggiante di spegnimento dall'interno del serbatoio di recupero e ripulirlo da eventuali detriti

## CONSERVAZIONE



### AVVERTENZA!

Se si conserva l'apparecchio in una zona che può gelare, assicurarsi che entrambi i serbatoi e l'impianto idraulico della soluzione detergente siano vuoti da tutta l'acqua e asciutti!

- Conservare l'apparecchio in un posto asciutto, protetto dal gelo.
- La temperatura di conservazione dell'apparecchio deve essere compresa tra 0°C e +40°C.
- Conservare sempre l'apparecchio in ambienti chiusi.
- Rimuovere sempre il disco trascinatore o la spazzola.
- Conservare sempre l'apparecchio con il tergipavimento sollevato da terra.
- Se si conservasse in una zona che può raggiungere temperature di congelamento, assicurarsi di drenare tutti i liquidi dall'apparecchio prima di riporlo in tale area. Qualsiasi danno causato dal congelamento non sarà coperto dalla garanzia.
- Svotare il serbatoio di recupero e rimuovere il tappo trasparente sulla sommità del serbatoio di recupero in modo che possa "respirare" durante la conservazione.
- Svotare il serbatoio della soluzione detergente di tutti i fluidi.

## RICICLAGGIO DEL PULITORE

Rendere immediatamente inutilizzabile l'apparecchio vecchio:

- Rimuovere le batterie
- Non gettare gli apparecchi elettrici insieme ai rifiuti domestici.



Come specificato nella Direttiva Europea 2002/96/CE sui vecchi apparecchi elettrici ed elettronici, prodotti elettrici obsoleti devono essere raccolti separatamente e riciclati in maniera ecologica. Contattare le autorità locali o il proprio rivenditore per ulteriori informazioni



## TABLA DE CONTENIDOS

INTRODUCCIÓN.....	112
PROPÓSITO Y CONTENIDOS DEL MANUAL.....	112
OBJETIVO.....	112
CÓMO GUARDAR ESTE MANUAL.....	112
DECLARACIÓN DE CONFORMIDAD.....	112
DATOS DE IDENTIFICACIÓN.....	112
OTROS MANUALES DE REFERENCIA.....	112
PIEZAS DE REPUESTO Y MANTENIMIENTO.....	112
CAMBIOS Y MEJORAS.....	112
PROPÓSITO E INTENCIÓN DE USO.....	112
USOS.....	113
DESEMBALAJE/ENTREGA.....	113
SEGURIDAD.....	113
SÍMBOLOS USADOS PARA MARCAR LAS INSTRUCCIONES.....	113
INSTRUCCIONES GENERALES.....	114
DESCRIPCIÓN DE LA MÁQUINA.....	117
ESTRUCTURA DE LA MÁQUINA.....	117
ACCESORIOS/OPCIONES.....	118
DIAGRAMA ELÉCTRICO (FANG20HD-EU ).....	120
MANEJO.....	121
ANTES DE PONER EN MARCHA.....	121
A LA HORA DEL MANEJO.....	125
MANTENIMIENTO.....	127
MANTENIMIENTO DIARIO.....	127
MANTENIMIENTO SEMANAL.....	127
MANTENIMIENTO MENSUAL.....	127
LIMPIEZA DEL FILTRO DEL MOTOR DE ASPIRACIÓN.....	127
LIMPIEZA DEL FILTRO DE LA SOLUCIÓN/AGUA FRÍA.....	128
REVISAR Y REEMPLAZAR DE LAS LÁMINAS DE LA ESCOBILLA DE GOMA.....	128
LIMPIEZA DEL CEPILLO/DISCO.....	129
RESOLUCIÓN DE PROBLEMAS.....	129
ALMACENAMIENTO.....	130
RECICLAR LA LIMPIADORA.....	130

## INTRODUCCIÓN



### NOTA

Los números en paréntesis se refieren a los componentes indicados en el capítulo "Descripción de la Máquina".

## PROPÓSITO Y CONTENIDOS DEL MANUAL

El propósito de este Manual consiste en proporcionar al operador con toda la información necesaria para usar la máquina de manera adecuada, segura y autónoma. Contiene información sobre los datos técnicos, seguridad, manejo, almacenamiento, mantenimiento, piezas de repuesto y reciclaje. Antes de efectuar cualquier procedimiento con la máquina, los operadores y técnicos calificados deben leer este manual atentamente. Póngase en contacto con Viper en caso de dudas acerca de la interpretación de las instrucciones o para obtener más información.

## OBJETIVO

Este manual va dirigido a operadores y personal técnico calificado a efectuar las obras de mantenimiento de la máquina.

Los operadores no deben efectuar procedimientos, reservados solamente para el personal técnico. Viper no responde por daños ocasionados por el incumplimiento de esta observación.

## CÓMO GUARDAR ESTE MANUAL

Hay que mantener el Manual de Usuario cerca de la máquina, dentro de una caja apropiada, lejos de líquidos u otras sustancias que lo podría dañar.

## DECLARACIÓN DE CONFORMIDAD

La declaración de conformidad, proporcionada con la máquina, certifica la conformidad de la máquina con la ley en vigor.



### NOTA

Dos copias de la declaración de conformidad original van junto con los documentos de la máquina. La declaración CE está impresa en la Guía de Inicio Rápido.

## DATOS DE IDENTIFICACIÓN

El modelo y número de serie de la máquina vienen marcados en la lámina.

Esta información es útil a la hora de encargar piezas de repuesto. Use la siguiente tabla para inscribir los datos de identificación de la máquina.

MÁQUINA Modelo.....

MÁQUINA NÚMERO DE SERIE.....

## OTROS MANUALES DE REFERENCIA

- Manual de Servicio (se puede consultar en los Centros de Servicio de Viper)
- Lista de Piezas de Repuesto (véase [www.vipercleaning.eu](http://www.vipercleaning.eu))

## PIEZAS DE REPUESTO Y MANTENIMIENTO

Todos los procedimientos necesarios para el manejo, mantenimiento y reparación deben efectuarse solamente por el personal técnico de los Centros de Servicio de Viper. Sólo se permite el uso de accesorios y piezas de repuesto originales. Póngase en contacto con Viper para solicitar servicio o para encargar piezas de repuesto o accesorios, especificando el modelo y número de serie de la máquina.

## CAMBIOS Y MEJORAS

Viper constantemente sigue mejorando sus productos y se reserva el derecho de hacer cambios o mejoras a su criterio y sin que sea necesario aplicar tales mejoras sobre las máquinas ya vendidas.

Cualquier cambio y/o adición de accesorios debe ser aprobada y realizada por Viper.

## PROPÓSITO E INTENCIÓN DE USO

Todas las máquinas de limpieza automática están destinadas exclusivamente a la limpieza en húmedo de revestimientos de

suelo resistentes al agua en el interior de edificios. Las máquinas de limpieza automática no se pueden usar para limpieza de moquetas y alfombras.

Esta máquina es adecuada para uso comercial, por ejemplo en hoteles, escuelas, hospitales, fábricas, comercios, oficinas y empresas de alquiler.

Cualquier otro uso se considera como no apropiado. El fabricante no se hace responsable de ningún daño resultante de dicha utilización. El riesgo de dicho uso correrá exclusivamente a cargo del usuario.

El uso adecuado incluye también el manejo, mantenimiento y reparaciones correctos, según lo especificado por el fabricante.

Los cambios realizados en las máquinas automáticas por los propios usuarios excluye la responsabilidad del fabricante por cualquier daño resultante.

¡Hay que comprobar la compatibilidad de los revestimientos de suelo con este método de limpieza antes de empezar a usar la máquina!

¡ Debe tener en cuenta la presión en el caso de pavimentos de punto elástico, por ejemplo gimnasios!

El fabricante no acepta ninguna responsabilidad por daños a la máquina y al revestimiento del suelo a limpiar, causados por el uso de cepillos y productos de limpieza inadecuados

## USOS

Hacia adelante, hacia atrás, delante, detrás, izquierda o derecha y hacia arriba se refieren a la posición del operador, es decir, la posición de trabajo.

## DESEMBALAJE/ENTREGA

Para desembalar la máquina, siga cuidadosamente las instrucciones en el empaque.

A la hora de la entrega, compruebe que el embalaje y el equipo no sufrieron daños durante el transporte. En caso de daños visibles, guarde el embalaje y solicite que el transportista lo revise. Llame de inmediato a la empresa transportista para presentar una reclamación por daños.

Compruebe el contenido del paquete para asegurarse de que los siguientes elementos no faltan:




- máquina
- montaje de la escobilla de goma
- impulsor del cepillo (e impulsor de la disco)

## SEGURIDAD

Los siguientes símbolos indican situaciones potencialmente peligrosas. Siempre lea la información atentamente y tome todas las precauciones necesarias para salvaguardar a las personas y las propiedades.

La cooperación del operador es esencial para prevenir lesiones. Ningún programa de prevención de accidentes resulta eficaz sin la cooperación incondicional de la persona encargada de operar la máquina. La mayoría de los accidentes que pueden ocurrir durante el funcionamiento, trabajo o movimiento son causados por el incumplimiento de las reglas más simples para el ejercicio de la prudencia. Un operador cuidadoso y prudente es la mejor garantía contra accidentes y es esencial para la finalización con éxito de cualquier programa de prevención.

## SÍMBOLOS USADOS PARA MARCAR LAS INSTRUCCIONES

	<p><b>¡PELIGRO!</b> Peligro, que conduce directamente a lesiones graves o irreversibles, o incluso la muerte.</p>
	<p><b>¡ADVERTENCIA!</b> Peligro, que puede causar lesiones graves o incluso la muerte.</p>
	<p><b>¡PRECAUCIÓN!</b> Peligro que puede causar lesiones y daños leves.</p>

**NOTA**

Indica una observación sobre una función importante o útil.

## INSTRUCCIONES GENERALES

Se muestran a continuación advertencias y precauciones específicas para informar acerca de los posibles daños a las personas y la máquina se muestra a continuación.

El dispositivo:

- solamente debe ser utilizado por personas que hayan sido instruidas en su manejo y expresamente encomendadas para esta tarea
- solamente debe ser utilizado bajo supervisión
- no debe ser utilizado por niños

El puesto de trabajo es en la parte posterior de la máquina.

No utilice técnicas de trabajo arriesgadas.

Conduzca la máquina siempre con ambas manos en el mango.

Cuando la máquina esté parada, hay que desconectar inmediatamente el motor de la escobilla para que no se produzcan daños en el revestimiento del suelo.

Debe apagar el equipo y extraer el enchufe de la red en las siguientes situaciones:

- Antes de la limpieza y el mantenimiento
- Antes de cambiar piezas
- Antes de hacer cambios el equipo

La explotación de la máquina está sujeta a las disposiciones nacionales vigentes. Aparte de las instrucciones de servicio y las reglamentaciones obligatorias sobre prevención de accidentes que rigen en el país del usuario, hay que observar también las reglas técnicas reconocidas para el trabajo seguro y técnicamente correcto.

## TRANSPORTE

Al transportar la máquina en ascensores

- tenga en cuenta las correspondientes recomendaciones de seguridad –especialmente sobre la capacidad de carga.

## MANEJO

A fin de prevenir el uso no autorizado del dispositivo, hay que desconectar o bloquear la fuente de alimentación, por ejemplo, al retirar la llave del interruptor.

Tome todas las medidas de precaución para evitar que el cabello, joyas o ropa suelta queden atrapados entre las partes móviles de la máquina.

Antes de usar la máquina, cierre todas las puertas y/o tapas.

La temperatura de la máquina en trabajo debe estar entre 0°C y +40°C.

La humedad relativa del aire debe estar entre 30% y 95%.

Nunca use la máquina como vehículo de transporte.

En caso de incendio utilice un extintor de polvo, no de agua.

No manipular por ninguna razón la máquina, respete escrupulosamente las instrucciones previstas para el mantenimiento regular.

No deje que ningún objeto extraño se introduzca en alguna de las aberturas. No utilice la máquina si las aberturas están obstruidas. Siempre mantenga las aberturas libres de polvo, pelos o cualquier otro cuerpo extraño que pueda reducir el caudal de aire.

No retire o modifique las placas adheridas a la máquina.

Si la máquina se usa conforme a las instrucciones, las vibraciones no suponen ningún peligro. El nivel de vibraciones de la máquina es inferior a 2.5 m/s<sup>2</sup> (98/37/EEC-EN 1033/1995).

Los niveles de vibración de la mano/brazo casi nunca superan los 2.5 m/s<sup>2</sup> (medidos con arreglo a la norma ISO 5349), que

representa el límite de 8 horas de funcionamiento continuo.

Esta máquina no tiene aprobación para la utilización en carreteras o vías públicas.

Las máquinas Viper se pueden usar en combinación con detergentes de uso doméstico que no pueden ocasionar daños a los componentes materiales de las máquinas Viper (no use disolventes u otras sustancias líquidas agresivas.) Viper no pagará ninguna reclamación relacionadas con el uso de detergentes agresivos en las máquinas Viper. Si necesita un detergente especial para la limpieza, por favor póngase en contacto con su distribuidor de Viper.

Tenga cuidado a la hora de transportar la máquina cuando la temperatura esté por debajo del punto de congelación. El agua en el depósito del agua de recuperación o en los tubos, podría congelarse y dañar la máquina.

## MANTENIMIENTO

Para asegurar condiciones de funcionamiento correcto y seguro, siga el mantenimiento programado según las especificaciones indicadas en el capítulo relacionado de este manual, debe ser llevado a cabo por el personal autorizado o por el Centro de Servicio de Viper.

Lea atentamente todas las instrucciones antes de efectuar cualquier operación de mantenimiento/repación.

No trabaje bajo la máquina levantada sin apoyo de soportes de seguridad.

No lave la máquina con chorros de agua directa o presurizada, o con sustancias corrosivas.

## GARANTÍA

Sirven de garantía y saneamiento nuestras condiciones generales de negocio.



Todas modificaciones que no sean autorizadas en el equipo (realizadas directamente por el cliente), la utilización de cepillos o agentes de limpieza incorrectos, así como su uso no reglamentario excluyen las responsabilidades de fabricante de los daños que resulten de ello.

## PRUEBAS Y HOMOLOGACIONES

Las comprobaciones electrotécnicas deben ser llevadas a cabo según las recomendaciones de Prevención de accidentes (BGV A3) y conforme a DIN VDE 0701 1a Parte y 3a Parte.


Conforme a DIN VDE 0702, estas comprobaciones son necesarias en periodos de tiempos regulares y después de reparaciones y cambios.

## ELECTRICAL COMPONENTS


	<p><b>PELIGRO</b> Baterías. Riesgo de explosión.</p> <ul style="list-style-type: none"> <li>➤ La carga de la batería produce gas de hidrógeno altamente explosivo. Mantenga el ensamblaje del tanque abierto durante la carga de la batería y cargue la batería exclusivamente en áreas bien ventiladas, lejos de llamas.</li> <li>➤ Para reducir el riesgo de incendios, descargas eléctricas o lesiones, no deje la máquina sin vigilancia mientras esté enchufada. Antes de ejecutar cualquier procedimiento de mantenimiento, desconecte el cable del cargador de batería de la red eléctrica.</li> <li>➤ No fume mientras carga las baterías.</li> <li>➤ La utilización de piezas de repuesto, accesorios, baterías y cargadores no originales, pueden perjudicar la seguridad del aparato. Solamente utilice piezas de repuesto y accesorios suministrados por Viper, así como baterías y cargadores recomendados por VÍPER. A la hora de usar baterías y cargadores no certificados y no recomendados, VÍPER no cubrirá el costo de los daños (garantía) ocasionados por ello.</li> </ul>
	<p><b>PRECAUCIÓN</b> Cargador de baterías. Descarga eléctrica debida a un cable de conexión a la red defectuoso. Al tocar un cable de conexión a la red o de cargador defectuoso, puede causar lesiones graves o mortales.</p> <ul style="list-style-type: none"> <li>➤ Mantenga la batería alejada de chispas, llamas y sustancias incandescentes. Durante el funcionamiento normal se desprenden gases explosivos.</li> <li>➤ Antes de utilizar el cargador de la batería, asegúrese de que los valores de frecuencia y tensión, indicados en la lámina de número de serie de la máquina, coincidan con la tensión de la red eléctrica.</li> <li>➤ No deteriore el cable eléctrico (p. ej. pisándolo, tirando de él o aplastándolo).</li> <li>➤ Compruebe en intervalos regulares si el cable tiene algún deterioro o desgaste.</li> </ul>

	<ul style="list-style-type: none"> <li>➤ Haga cambiar un cable de conexión a la red defectuoso por el servicio técnico de VIPER o por un electricista calificado, antes de seguir utilizando el equipo.</li> <li>➤ No tire ni transporte la máquina por el cable del cargador de la batería y no use nunca el cable del cargador de la batería como un mango. No cierre la puerta sobre el cable del cargador de la batería, ni tire del cable del cargador de batería de alrededor de bordes o esquinas afilados.</li> <li>➤ Mantenga el cable del cargador de batería lejos de superficies calientes.</li> <li>➤ No cargue las baterías si el cable del cargador de batería o el enchufe están dañados. Si la máquina no está funcionando como debiera, se ha dañado, dejado a la intemperie o se ha caído al agua, devuélvala al Centro de Servicio.</li> </ul>
--	--


### ESCALONES Y PENDIENTES

	<p><b>PRECAUCIÓN</b>                  Peligro de vuelco y deslizamiento en escalones y pendientes.                  Al sobrepasar escalones y pendientes existen peligro de daños personales y materiales.</p> <ul style="list-style-type: none"> <li>➤ No pase por encima de escalones.</li> <li>➤ Use el equipo sólo en superficies con una pendiente máxima del 2 %.</li> </ul>
---	--


### REVESTIMIENTOS DE SUELO

	<p><b>PRECAUCIÓN</b>                  Daño de recubrimientos de suelos delicados.                  Los recubrimientos de suelos especialmente delicados pueden resultar dañados por la limpieza.</p> <ul style="list-style-type: none"> <li>➤ Se debe verificar la aptitud de los revestimientos del suelo para este procedimiento de limpieza antes de poner en servicio esta máquina.</li> <li>➤ Preste atención a la presión superficial en suelos puntualmente elásticos, p. ej. en gimnasios.</li> <li>➤ Utilice solamente los agentes de limpieza autorizados por Viper.</li> </ul>
---	---


### SUSTANCIAS NOCIVAS PARA LA SALUD

	<p><b>ADVERTENCIA</b>                  Materiales peligrosos para la salud en los recubrimientos de suelos.                  Los recubrimientos de suelos pueden contener materiales peligrosos para la salud que se desprenden al limpiarlos.</p> <ul style="list-style-type: none"> <li>➤ No limpie recubrimientos de suelos de los cuales se puedan desprender polvos o líquidos peligrosos para la salud.</li> </ul>
---	--

### RIESGO DE EXPLOSIÓN

	<p><b>ADVERTENCIA</b>                  Materiales inflamables o con peligro de explosión.                  Peligro de explosión en atmósferas o áreas explosivas donde pudieran almacenarse materiales inflamables o explosivos.</p> <ul style="list-style-type: none"> <li>➤ No opere la máquina en un ambiente donde haya polvo, líquidos o vapores nocivos, peligrosos, inflamables y/o explosivos.</li> </ul>
---	---

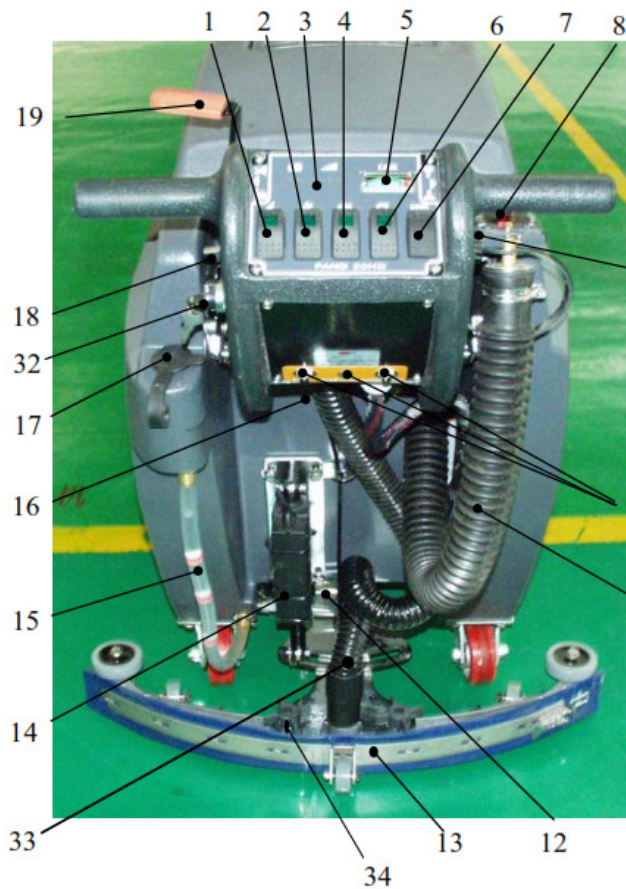
### PIEZAS DE REPUESTO Y ACCESORIOS

	<p><b>PRECAUCIÓN</b>                  Piezas de fabricación ajena y agentes de limpieza inadecuados.                  El uso de piezas de fabricación ajena y de agentes de limpieza inadecuados puede disminuir la seguridad del equipo y causar daños materiales.</p> <ul style="list-style-type: none"> <li>➤ Utilice únicamente piezas de recambio y accesorios de Viper.</li> <li>➤ Utilice sólo los accesorios y agentes de limpieza suministrados con el equipo o especificados en las instrucciones de servicio.</li> </ul>
---	---



## DESCRIPCIÓN DE LA MÁQUINA

## ESTRUCTURA DE LA MÁQUINA



1. Interruptor de ENCENDIDO/APAGADO principal
2. Interruptor de ENCENDIDO/APAGADO de la aspiración
3. Medidor de la batería
4. Interruptor de ENCENDIDO/APAGADO del cepillo
5. Medidor de presión del cepillo
6. Interruptor de ENCENDIDO/APAGADO de la solución
7. Interruptor de presión ARRIBA/ABAJO del cepillo
8. Palanca del flujo de la disolución
9. Palanca de ajuste de la velocidad
10. Cortocircuitos
11. Manguera de vaciado del tanque de recuperación
12. Tuerca y eje de ajuste de la escobilla de goma
13. Conjunto de la escobilla de goma
14. Actuador del cabezal de fregado
15. Tubo del tanque de solución con mirilla de nivel

16. Palanca de ajuste de la consola
17. orificio de llenado trasero de solución
18. Interruptor de retroceso
19. Palanca de elevación de la escobilla de goma
20. Caja de control
21. Mandos de control
22. Tanque de solución
23. Rodillas traseras
24. Ruedas de transporte
25. Cabezal de fregado
26. Aleta de cabezal de fregado
27. Carcasa de pestillo de la aleta
28. Rodillos de protección
29. orificio de llenado delantero de solución
30. Tanque de recuperación
31. Tapa del tanque de recuperación
32. Interruptor con llave
33. Manguera de aspiración de la escobilla de goma
34. Soporte de montaje de la escobilla de goma

Soporte de montaje de la escobilla de goma

### ACCESORIOS/OPCIONES

Además de los componentes estándar, la máquina puede estar equipada con los siguientes accesorios / opciones, de acuerdo con el uso

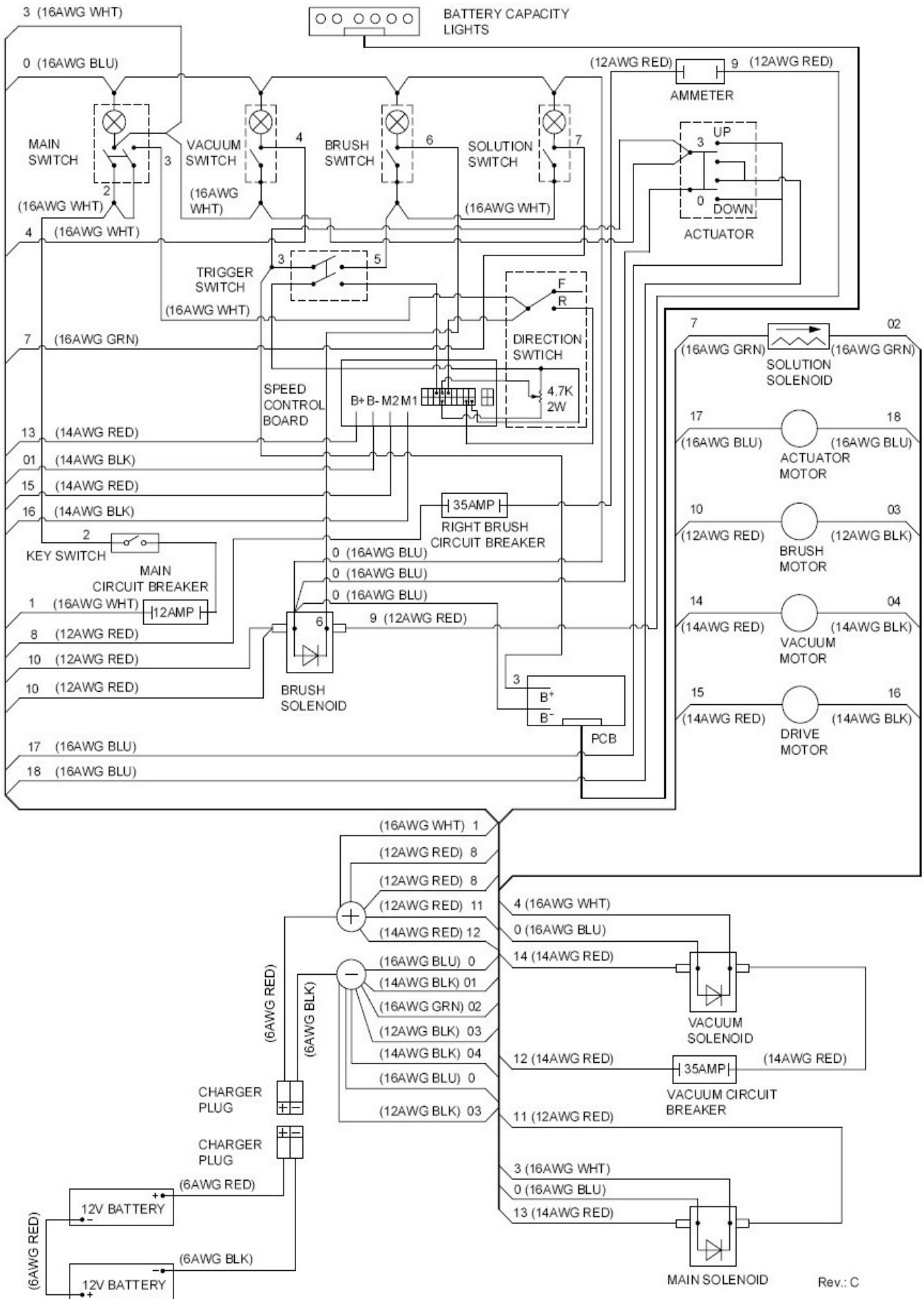
específico de la máquina:

- Cepillo
- Impulsor de la disco

Para más información sobre los accesorios opcionales, póngase en contacto con un distribuidor autorizado.

### DATOS TÉCNICOS

Modelo		<b>FANG 20HD-EU</b> <b>(1 cepillo/soporte de disco, con sistema de arrastre)</b>
Altura máquina	mm	990
Capacidad del depósito de disolución/agua	l	61
Capacidad del tanque de recuperación	l	61
Diámetro de la rueda delantera	mm	76
Diámetro de la rueda trasera	mm	200
Potencia del motor de aspiración	W	400
Potencia del motor de arrastre	W	250
Velocidad de arrastre (variable)	km/h	0 – 4.5
Pendientes	%	2
Nivel de presión acústica en el puesto de trabajo	dB(A)	69
Baterías estándar	Ah @ 20 h	2 x 12V/215AmP.hR
Capacidad de circuito de aspiración	mm H <sub>2</sub> O	1.397
Anchura de limpieza	mm	510
Anchura de la escobilla de goma	mm	750
Longitud máxima de la maquina	mm	1.350
Anchura de la máquina sin la escobilla de	mm	560
Diámetro del cepillo	mm	510
Peso sin las baterías y con los tanques vacíos	kg	107
Peso máximo con las baterías y los tanques llenos	kg	181
Potencia del motor del cepillo	W	560
Velocidad de rotación del cepillo	rpm	200
Presión del cepillo/soporte de la disco	kg	UP TO91



## DIAGRAMA ELÉCTRICO (FANG20HD-EU)

### DIAGRAMA ELÉCTRICO (FANG20HD-EU)

#### Código de Colores

BLK	Negro
BLU	Azul
GRU	Verde
RED	Rojo
WHT	Blanco

1	BATTERY CAPACITY LIGHTS	INDICADOR DE CAPACIDAD DE LA BATERÍA
2	MAIN SWITCH	INTERRUPTOR PRINCIPAL
3	VACUUM SWITCH	VACUÓSTATO
4	BRUSH SWITCH	INTERRUPTOR DE CEPILLO
5	SOLUTION SWITCH	INTERRUPTOR SOLUCIÓN
6	AMMETER	AMPERÍMETRO
7	ACTUATOR	ACTUADOR
8	TRIGGER SWITCH	INTERRUPTOR DEL DISPARADOR
9	SPEED CONTROL BOARD	TABLERO DE CONTROL DE VELOCIDAD
10	DIRECTION SWITCH	INTERRUPTOR DE DIRECCIÓN
11	RIGHT BRUSH CIRCUIT BREAKER	DISYUNTOR DEL CEPILLO DERECHO
12	KEY SWITCH	INTERRUPTOR CON LLAVE
13	MAIN CIRCUIT BREAKER	DISYUNTOR PRINCIPAL
14	BRUSH SOLENOID	SOLENOIDE CEPILLO
15	PCB	PANEL DE CONTROL PRINCIPAL
16	SOLUTION SOLENOID	SOLENOIDE DE LA SOLUCIÓN
17	ACTUATOR MOTOR	MOTOR DEL ACTUADOR
18	BRUSH MOTOR	MOTOR DEL CEPILLO
19	VACUUM MOTOR	MOTOR DE ASPIRACIÓN
20	DRIVE MOTOR	MOTOR PROPULSOR
21	VACUUM SOLENOID	SOLENOIDE DE ASPIRACIÓN
22	VACUUM CIRCUIT BREAKER	DISYUNTOR DE ASPIRACIÓN
23	MAIN SOLENIOD	SOLENOIDE PRINCIPAL
24	CHARGER PLUG	ENCHUFE DEL CARGADOR
25	BATTERY	BATERÍA

**MANEJO****ANTES DE PONER EN MARCHA****¡ADVERTENCIA!**

En varios puntos de la máquina hay unas placas adhesivas que indican:

PELIGRO  
ADVERTENCIA  
PRECAUCIÓN  
CONSULTAS

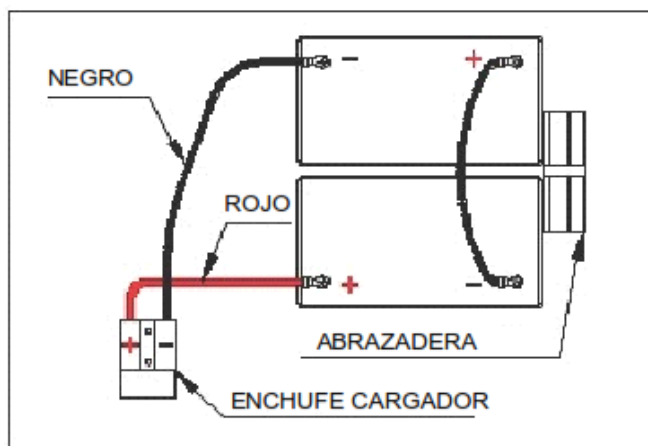
Durante la lectura de este manual, el operador debe prestar especial atención a los símbolos que aparecen en las placas. No cubra estas placas bajo ninguna circunstancia y, si están deterioradas, reemplácelas de inmediato.

**INSTALACIÓN DE LA BATERÍA****¡ADVERTENCIA!**

Los componentes eléctricos de la máquina pueden dañarse seriamente si las baterías están mal instaladas o conectadas. Las baterías deben ser instaladas por personal cualificado.

- Ajuste la tarjeta electrónica de control y el cargador de baterías (opcional) según el tipo de baterías que se utilizan (HÚMEDA o DE GEL).
- Compruebe que las baterías no están deterioradas antes de instalarlas.
- Desconecte el conector de la batería y el enchufe del cargador.
- Manipule las baterías con cuidado.
- Instale las tapas de protección de terminales de la batería suministrados con la máquina.

La máquina requiere dos baterías de 12 V, conectadas según el diagrama siguiente:



Las baterías no están incluidas en el paquete de fábrica, pero los clientes pueden comprar baterías (húmedas o de gel).

- Compre baterías apropiadas (véase la sección de Datos Técnicos).
- Para la elección e instalación de las baterías, consulte con distribuidores de baterías cualificados.
- Ajuste la máquina y el cargador según el tipo de baterías instaladas (húmedas o de gel) como se indica en el siguiente párrafo.
  - a) Cuando las baterías (húmedas o de gel) estén ya instaladas y listas para utilización:
    - Compruebe si las baterías están conectadas con la máquina por medio del enchufe del cargador.
    - Inserte la llave de contacto (32) y gírela en dirección "encender".
 Si la luz de advertencia verde (3) se ilumina, las baterías están listas para el uso.  
 Si la luz de advertencia (3) amarilla o roja se ilumina, hay que recargar la batería (véase el procedimiento en el capítulo "Mantenimiento").
  - b) Cuando las baterías (húmedas) estén instaladas en la máquina, pero sin electrolito
    - Abra la tapa (31) y compruebe que el depósito del agua de recuperación (30) está vacío, de lo contrario, vacíelo con la manguera de drenaje (11).
    - Levante el tanque con cuidado (30).

**¡ADVERTENCIA!**

Tenga cuidado a la hora de usar ácido sulfúrico, ya que es corrosivo. Si entra en contacto con la piel o los ojos, enjuague con agua y consulte a un médico.

Hay que cargar las baterías en un área bien ventilada. Use guantes protectores.



- Llene las celdas de la batería con ácido sulfúrico para baterías (densidad 1.27 - 1.29 kg a 25°C) conforme a las instrucciones indicadas
- en el Manual de la Batería. La cantidad exacta de ácido sulfúrico se indica en el Manual de la Batería.
- Para evitar daños al suelo, limpie con un paño los restos de ácido y agua en la parte superior de las baterías, después de cargadas.
- Deje descansar la batería y llénela con ácido sulfúrico conforme a las instrucciones que se indican en el Manual de la Batería.
- Cargue las baterías (véase el procedimiento en el capítulo "Mantenimiento").

### CONFIGURACIÓN DEL CARGADOR DE BATERÍAS

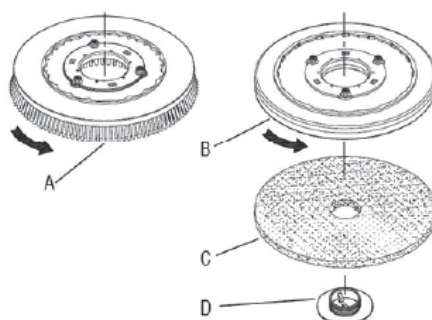
- La configuración por defecto del cargador es la posición común de fábrica para la AGM, Gel, SLA, VRLA
- Si hace falta utilice la posición HÚMEDO sólo para baterías de plomo. Por favor póngase en contacto con el distribuidor.

### COMPROBACIONES ANTES DE OPERACIÓN

- Limpie el exterior de la máquina.
- Asegúrese de que el voltaje de la máquina coincida con el voltaje de la red local.
- Compruebe si la escobilla de goma está correctamente instalada.
- Compruebe si el cepillo/disco está correctamente instalado.

### INSTALACIÓN DEL IMPULSOR DEL CEPILLO

- Asegúrese de que la máquina esté apagada.
- Baje el conjunto del cabezal del cepillo hacia el suelo al pisar el pedal y empujarlo hacia adelante.
- Incline la máquina para atrás para acceder la caja del motor de arrastre.



**NOTA**

Retire el conjunto de la escobilla de goma antes de inclinar la máquina para atrás. Esto hace el proceso más rápido y más fácil.



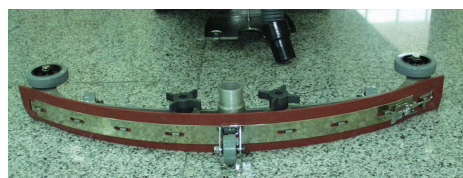
**¡ADVERTENCIA!**

No mantenga la máquina inclinada durante mucho tiempo. Esto podría causar fugas de ácido de las baterías.

- Si utiliza un impulsor de disco, primero coloque el disco correspondiente a la superficie del impulsor.
- Monte el impulsor del disco o del cepillo a la caja del motor de arrastre, alineando los tres tornillos con los tres agujeros en la caja del motor de arrastre. Una vez en los agujeros, gire el impulsor hacia la pinza de muelle para fijar el impulsor en su lugar.

### MONTAR LA ESCOBILLA DE GOMA

- Tire hacia atrás de la palanca de elevación de la escobilla de goma para levantar el soporte de la escobilla hacia arriba.
- Afloje las dos perillas de la escobilla de goma y deslice la escobilla en las ranuras en la parte posterior del soporte de la escobilla de goma. (las ruedas de la escobilla de goma están orientadas hacia atrás)
- Apriete las perillas bien.





## RELLENAR EL DEPÓSITO DE SOLUCIÓN

Fang 20HD-EU se puede llenar desde dos puntos diferentes:

- Orificio delantero - se puede llenar con una manguera o un cubo.
  - Orificio posterior - se puede llenar solamente con manguera.
- Decida cuál de los orificios prefiere utilizar para rellenar la máquina con agua.
  - Rellene el tanque de solución con hasta 52 litros de agua. (la temperatura del agua no debe superar los 40° C). El tubo transparente en la parte posterior izquierda de la máquina tiene una indicación en galones que ayuda determinar el nivel de agua en el tanque de solución.



### NOTA

Si ha optado por rellenar el tanque con un cubo, asegúrese de que el cubo esté limpio. Esto evitará que los tubos o los solenoides queden obstruidas por desechos.



### ¡ADVERTENCIA!

No eche materiales inflamables en el tanque de solución. Ya que de esta manera se podría provocar una explosión o un incendio. Utilice sólo detergentes recomendados. Consulte con su proveedor de productos químicos de limpieza para que le recomiende los detergentes más apropiados.

## ARRANQUE Y PARADA DE LA MÁQUINA



### ¡ADVERTENCIA!

No utilice la máquina a menos que haya leído y entendido este manual.

- Coloque la caja de control a una altura cómoda al presionar ambas palancas (16) justamente debajo de la caja.
- Baje el conjunto de la escobilla de goma hacia el suelo al soltar palanca de elevación (19) de su posición bloqueada.
- Baje el cabezal del cepillo hacia el suelo al girar el interruptor de presión del cepillo (7) en dirección de "ENCENDIDO".
- Gire el interruptor principal (1) en dirección de "ENCENDIDO".
- Gire el interruptor el motor del cepillo (4) en dirección de "ENCENDIDO".
- Gire el interruptor el motor de aspiración (2) en dirección de "ENCENDIDO".
- Gire el interruptor de la solución (6) en dirección de "ENCENDIDO".
  - La solución no comenzará a fluir hasta que se tire los mandos de control.
- Fang 20HD-EU es autopropulsado. La velocidad puede ser controlada por una palanca (9) situada en el lado derecho de la caja de control.
- Fang 20HD-EU tiene marcha atrás. A fin de activar la velocidad reversa, hay un conmutador (18) situado en el lado izquierdo de la caja de control.
- Para empezar a fregar, tire de uno o ambos mandos de control rojos (21). Al tirar de estos mandos, el cepillo empezará a girar y la solución comienza a fluir. FANG20HD-EU: va a propulsarse por sí solo. FANG20HD-EU: Póngase a fregar conduciendo la máquina hacia adelante.



### ¡ADVERTENCIA!

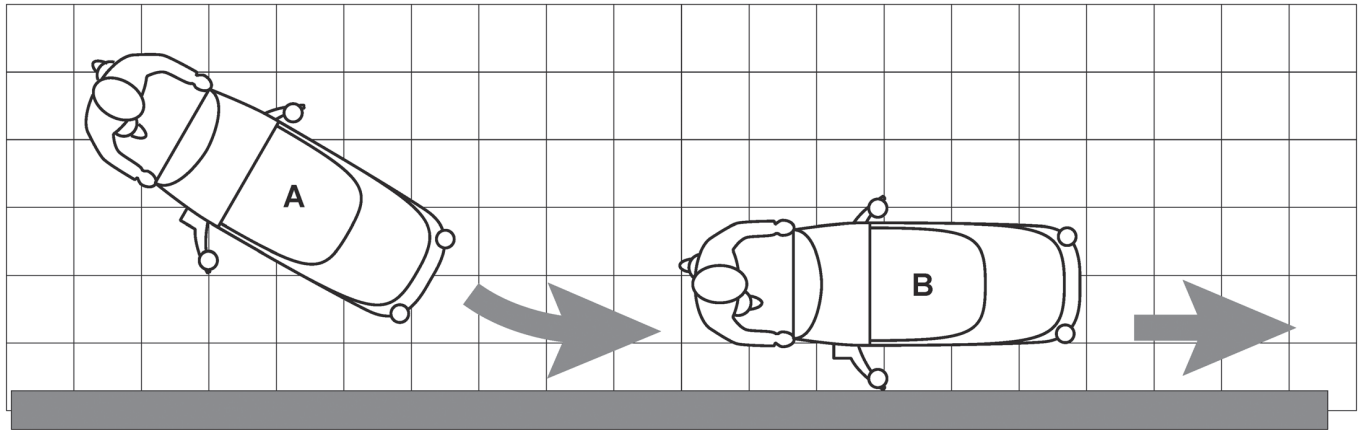
No mantenga la máquina en la misma posición con la disco/cepillo girando, de lo contrario podría ocasionar daños en la superficie.

- Ajuste la cantidad de solución, al girar la palanca de flujo de la solución (8). Gire a la derecha para soltar más solución, o a la izquierda para soltar menos solución.



### NOTA

Para fregar/secar los suelos correctamente en los lados de las paredes, Viper recomienda conducir la máquina cerca de las paredes con la parte derecha de la máquina, como se indica.



**¡PRECAUCIÓN!**

Para evitar daños en la superficie del suelo, apague el impulsor del cepillo / disco cuando la máquina se detiene en un lugar, especialmente cuando está activada la función de presión adicional.

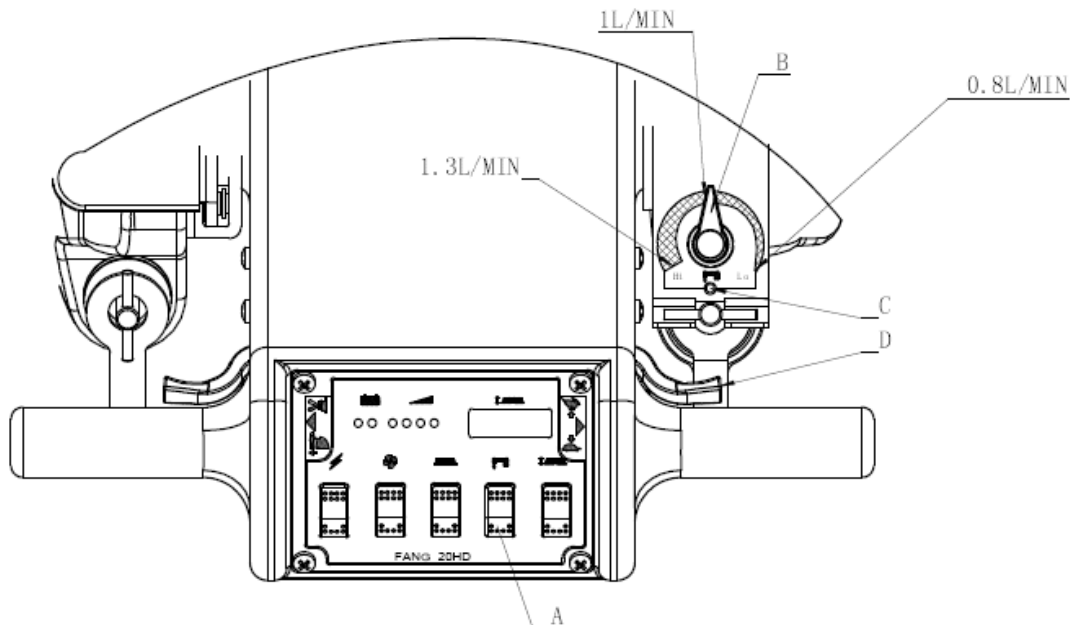
**AJUSTE DEL FLUJO DE SOLUCIÓN**

- Gire el interruptor de la solución (A) en dirección de "ENCENDIDO".
- Ajuste la cantidad de solución, al girar la palanca de flujo de la solución (8), gire a la izquierda (sentido anti horario) para aumentar el flujo, o gire a la derecha (en sentido horario) para disminuir el flujo. El pasador (C) es la posición de límite de la palanca de control de la solución (B).



**NOTA**

Aun si gira el interruptor de la solución (A), la solución no comenzará a fluir hasta que tire los mandos de control (D).



**DESCARGA DE LA BATERÍA DURANTE EL FUNCIONAMIENTO**

Mientras la luz de advertencia verde (3) está iluminada, las baterías permiten que la máquina funcione normalmente.

Cuando la luz de advertencia verde (3) se apague y la luz amarilla (3) se ilumina a su vez, es aconsejable recargar las baterías, ya que la autonomía restante durará pocos minutos (en función de las características de la batería y la tarea a realizar).

Cuando la luz de advertencia roja (3) se ilumina, la autonomía se ha agotado. Después de unos segundos, el impulsor del

cepillo/ disco se apaga automáticamente, mientras que el sistema de aspiración y el sistema de arrastre siguen funcionando, a fin de terminar el secado de la superficie y conducir la máquina hasta el lugar de recarga.



**¡PRECAUCIÓN!**

No utilice la máquina con las baterías descargadas, para evitar dañar las baterías y reducir su vida útil.

## A LA HORA DEL MANEJO

- De vez en cuando, revise la tapa transparente del depósito de recuperación para comprobar si hay un exceso de espuma. Si hay demasiada espuma, añada antiespumante al tanque de recuperación.



**¡ADVERTENCIA!**

La espuma no debe entrar en el flotador de cierre, de lo contrario se puede dañar el motor de aspiración. La espuma no activará el flotador de cierre.

- De cuando en cuando, eche un vistazo al tubo transparente en la parte posterior izquierda del equipo para revisar la cantidad de solución limpiadora que queda.
- De cuando en cuando, revise el medidor de nivel de la batería (3). Cuando el medidor está en el rojo, recargue las baterías.



**¡ADVERTENCIA!**

Cuando el medidor de nivel de las baterías está en rojo, no siga utilizando la máquina. La batería puede resultar dañada.

- Si la escobilla de goma va dejando rastros en el suelo, levante la escobilla y limpie las láminas con un paño húmedo.



**¡ADVERTENCIA!**

Cuando el medidor de nivel de las baterías está en rojo, no siga utilizando la máquina. La batería puede resultar dañada.

- Cuando el tanque de solución quede vacío, apague el interruptor del cepillo, el de la solución y levante el cabezal del cepillo. Mantenga la escobilla de goma hacia abajo y siga aspirando hasta que toda agua sucia sea recogida. (véase la sección DESAGÜE DE LOS DEPÓSITOS para aprender como vaciar los depósitos de recuperación y solución)



**NOTA**

El motor del cepillo está protegido contra daños por medio de un disyuntor. Si el disyuntor se activa, no se puede restablecer inmediatamente.

Primero usted tiene que averiguar la causa de la activación del disyuntor, dejar que el motor se enfríe antes de restablecer el disyuntor.

## DESAGÜE DE LOS DEPÓSITOS

- Desconecte la alimentación de la máquina.
- Con la escobilla de goma y el cabezal del cepillo en posición levantada, conduzca la máquina a la zona de desagüe de depósitos.

## VACIAR EL DEPÓSITO DE RECOGIDA (AGUA SUCIA)



**NOTA**

A la hora de llevar a cabo el fregado, o si hace falta rellenar el tanque de solución, hay que vaciar y limpiar el depósito de recuperación.



**¡ADVERTENCIA!**

En el caso de que el tanque de recuperación no haya sido vaciado al rellenar el tanque de solución, existe el peligro de que espuma o agua entre en el mecanismo del flotador de cierre y dañe el motor de aspiración.

- Retire la manguera de desagüe del soporte, y coloque la manguera de desagüe sobre el drenaje de piso. Retuerza el tapón de la manguera de desagüe para empezar el desagüe. A fin de vaciar completamente el tanque de recuperación, la bisagra abre el tanque y lo deja reposar sobre el soporte.
- Limpie el depósito de recuperación después de cada uso. Utilice una manguera de agua fría para enjuagar el depósito de recuperación. Tenga cuidado de no dejar entrar agua en el mecanismo del flotador de cierre.



**NOTA**

Si va a almacenar la máquina por un período prolongado de tiempo, no olvide dejar la tapa transparente del tanque de recuperación aparte para que el tanque pueda secar completamente y oler a fresco.

- Reemplace el tapón de la manguera de desagüe, tan pronto como haya vaciado el tanque.

**VACIAR EL DEPÓSITO DE LA SOLUCIÓN (AGUA LIMPIA)**



**NOTA**

Cada vez que haya terminado de fregar, hay que vaciar y limpiar el tanque de solución.

- Tire hacia abajo el tubo transparente (parte posterior izquierda de la máquina) para sacarlo del conector de la manguera. Esto permitirá que la solución corra libremente en un cubo o en el drenaje del piso.
- Enjuague el depósito de solución con agua limpia después de cada uso. Esto ayudará a prevenir la acumulación de productos químicos y la obstrucción de los tubos de solución.
- Con agua limpia en el tanque de solución, arranque la máquina, el interruptor de solución en posición "ENCENDIDO" y tire de los mandos de control. De esta forma el agua fría pasará por los tubos de solución, lavándolos.
- Siendo el tanque enjuagado, lavado y vaciado, vuelva a conectar el tubo transparente a la manguera. Asegúrese de que el tubo esté bien fijo en el conector de la manguera.

**CARGAR LA BATERÍA**



**NOTA**

Para el óptimo funcionamiento de la máquina, mantenga las baterías cargadas en todo momento. No las deje descargadas mucho tiempo.



**NOTA**

Si la máquina tiene un cargador de batería opcional instalado, la máquina no puede funcionar si el cargador no está a bordo. En caso de mal funcionamiento del cargador de la batería, póngase en contacto con un Centro de Servicio autorizado.



**¡PRECAUCIÓN!**

Utilice sólo cargadores aprobados con las siguientes especificaciones:

- Apagado automático del circuito
- Ciclo profundo de carga
- Corriente de salida de 10-20Amps
- Voltaje de salida de 24 V



**¡PRECAUCIÓN!**

¡Las baterías son peligrosas! Las baterías emiten hidrógeno, lo que puede causar una explosión o incendio. Mantenga las baterías lejos de chispas y fuego en todo momento. A la hora de cargar la máquina, asegúrese de que el compartimento de la batería esté abierto.



- Coloque el cargador y la máquina en un área bien ventilada.

- Apague la máquina.
- Abra el tanque de recuperación, dejando el compartimento de la batería, expuesto.
- Revise el nivel de líquido en cada una de las células. No cargue las baterías a menos que el fluido cubra levemente las placas de la batería. No sobrellene las baterías. El llenado excesivo puede llevar a derrames durante la carga debido a la expansión. Retire las tapas de protección de terminales de la batería antes de cargar.
- Enchufe el cargador aprobado en un tomacorriente a tierra antes de enchufar el cargador en la máquina.
- Enchufe el cargador en el receptáculo rojo situado en la parte frontal izquierda del compartimento de la batería.
- Levante el estante del tanque de recuperación y vuelva a poner cuidadosamente el tanque hasta que se encaje en el estante.
- El cargador empezará a cargar las baterías automáticamente y también va a apagarse automáticamente una vez que las baterías estén completamente cargadas.
- Concluida la carga, primero desenchufe el cargador del tomacorriente, y luego de la máquina.
- Compruebe el nivel de la batería al finalizar la carga. Si el nivel de líquido está bajo, añada agua destilada para que el nivel del líquido suba hasta la parte inferior de las mirillas. Vuelva a colocar las tapas de protección de terminales y limpie la batería con un paño húmedo.

## MANTENIMIENTO

Para mantener la máquina funcionando bien durante muchos años, por favor, siga los siguientes procedimientos de mantenimiento



### ¡PRECAUCIÓN!

Asegúrese de que la máquina esté apagada y el cable de la batería esté desconectado antes de realizar cualquier mantenimiento o reparación.

## MANTENIMIENTO DIARIO

- Retire el impulsor del disco/ cepillo y límpielo con un detergente apropiado.
- Vacíe los tanques de solución y recuperación, enjuagándolos con agua fría. Compruebe visualmente el depósito de recuperación y limpie los desechos si hace falta.
- Levante el conjunto de la escobilla de goma del suelo y límpiela con un paño húmedo. Asegúrese de guardar la escobilla de goma en posición levantada.
- Retire el flotador de cierre y enjuáguelo con agua fría.
- Limpie la máquina con un detergente aprobado y un paño húmedo. No pulverice agua para limpiar el exterior de la máquina para evitar daños en el motor y los cables.
- Recargue las baterías



## MANTENIMIENTO SEMANAL

- Compruebe el nivel de líquido en las baterías.
- Revise las baterías - si hay cables flojos o corroídos.
- Mantenga los terminales de las baterías libres de corrosión.

## MANTENIMIENTO MENSUAL

- Compruebe si hay fugas y cierres flojos.
- Lubrique todos los puntos de engrase y puntos pivote con silicona en aerosol y grasa aprobada.
- Coloque la máquina sobre un drenaje de suelo. Enjuague el sistema de solución al verter 10 litros de agua caliente y detergente alcalino aprobado en el tanque de solución y poner la máquina en marcha (con el flujo de solución activo) por 45 segundos. Apague la máquina y deje reposar toda la noche. Al día siguiente vacíe el resto de la solución y enjuague el tanque de solución con agua limpia.

## LIMPIEZA DEL FILTRO DEL MOTOR DE ASPIRACIÓN

- Conduzca la máquina sobre un suelo nivelado.
- Gire la llave de contacto (32) en dirección de "APAGADO".
- Abra el tanque de recuperación.
- Si hace falta, vacíe el agua del depósito a fin de tener acceso al filtro.

- Compruebe que el pre-filtro está limpio. Si hace falta, límpielo con agua y aire comprimido, luego instálelo.
- Ejecute pasos 1,2 y 3 en el orden inverso.

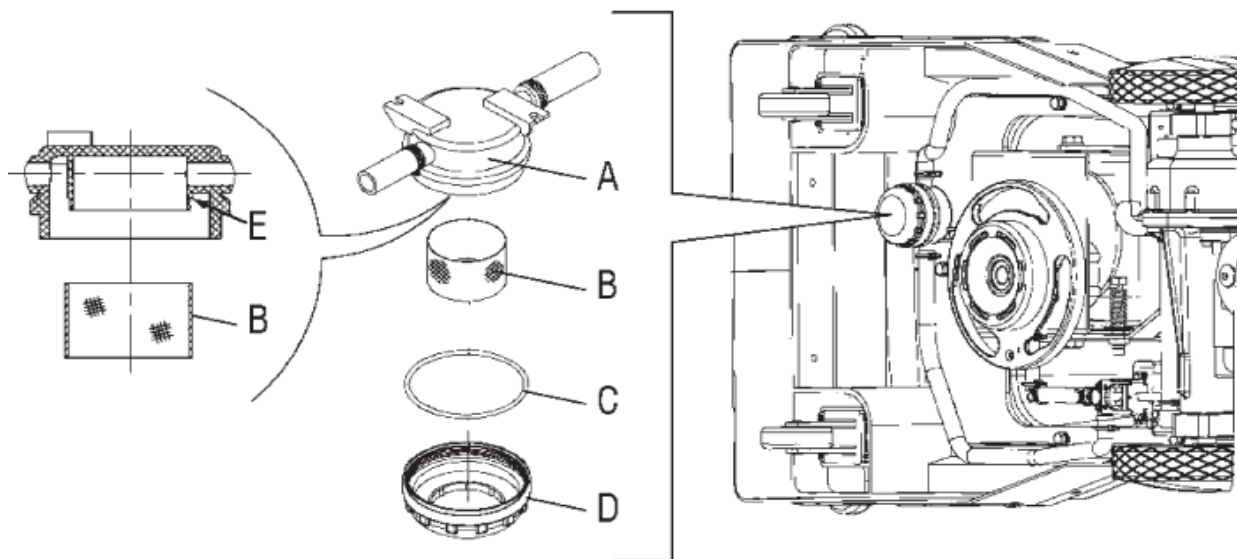
### LIMPIEZA DEL FILTRO DE LA SOLUCIÓN/AGUA FRÍA

- Conduzca la máquina sobre un suelo nivelado.
- Gire la llave de contacto (32) en dirección de "APAGADO".
- Quite la cubierta transparente (D) (el filtro de agua es posicionado debajo de la máquina), luego retire el colador del filtro (B). Límpielos e instálelos en el soporte (A).



#### NOTA

El colador del filtro (B) debe ser colocado correctamente en la carcasa (E) del soporte (A).



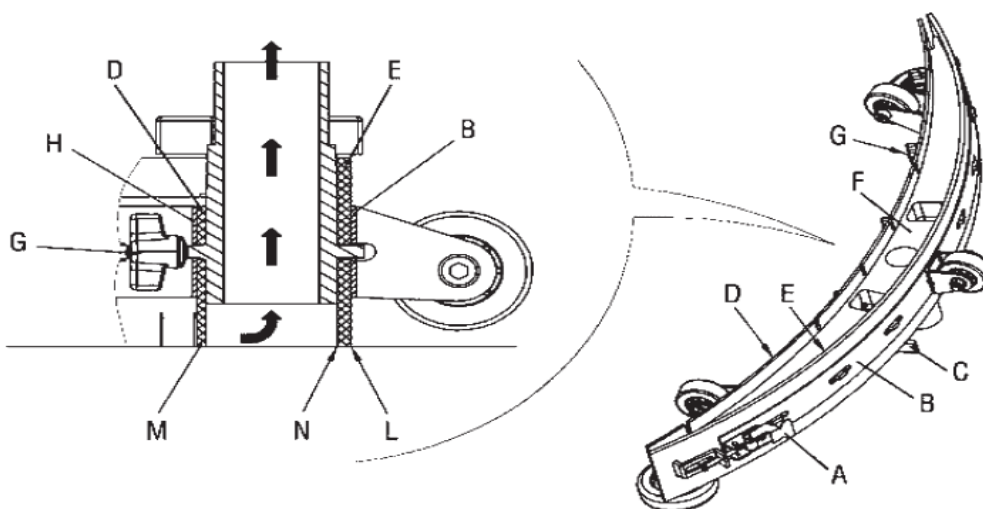
### REVISAR Y REEMPLAZAR DE LAS LÁMINAS DE LA ESCOBILLA DE GOMA

- Limpie la escobilla de goma como se indica en el párrafo anterior.
- Compruebe que el borde (M) de la lámina delantera (D) y el borde (L) de la lámina posterior (E) están alineados, a lo largo de su longitud; de lo contrario ajuste su altura conforme a los siguientes procedimientos:
  - Desenganche los retenedores (A) para ajustar la lámina posterior (E), luego enganche los retenedores.
  - Afloje los soportes (G) y ajuste la lámina delantera (D), luego apriete los soportes.
- Revise la integridad de la lámina delantera (D) y la lámina posterior (E), compruebe si hay cortaduras y fugas; si hace falta, reemplácelos como es indicado abajo. Asegúrese de que la esquina delantera (N) de la lámina posterior no esté desgastada; de lo contrario, dé vuelta a la lámina para sustituir la esquina desgastada por una íntegra. Si las otras esquinas también están gastadas, reemplace la lámina según el siguiente procedimiento:
  - Desenganche los retenedores (A) y retire la tira de retención (B), a continuación, reemplace / dé vuelta a la lámina posterior (E). Instale la lámina en el orden inverso del desmontaje.
  - Desenrosque los soportes (G) y retire la tira de retención (H), a continuación, reemplace la lámina delantera (D). Instale la lámina en el orden inverso del desmontaje.

Después de la sustitución (o vuelta) de la lámina, ajuste la altura, como se indica en el paso anterior.

- Conecte la manguera de aspiración (33) a la escobilla de goma.
- Instale la escobilla de goma (13) y atornille los soportes (34).





**LIMPIEZA DEL CEPILLO/DISCO**



**¡PRECAUCIÓN!**

Riesgo de cortes.

Es aconsejable el uso de guantes protectores a la hora de limpiar el cepillo / disco, porque puede haber escombros cortantes.

- Retire el cepillo / disco de la máquina, como se muestra en el capítulo "Uso".
- Limpie y lave el cepillo / disco con agua y detergente.
- Compruebe que el cepillo / disco es íntegro y no demasiado gastado, de lo contrario reemplácelo.

**RESOLUCIÓN DE PROBLEMAS**

PROBLEMA	CAUSA	RESOLUCIÓN
No se pone en marcha	Baterías en mal estado	Reemplace las baterías
	Hay que recargar las baterías	Cargue las baterías (véase Cargar la Batería)
	Cable de la batería flojo	Apriete el(los) cable(s)
	Las baterías no están bien conectadas	Siga las instrucciones de instalación de las baterías
El motor del cepillo no funciona	Interruptor del cepillo estropeado	Póngase en contacto con el distribuidor de Viper
	Se ha disparado el disyuntor del cepillo.	Compruebe que el motor del cepillo no esté obstruido y restablezca el disyuntor.
	El rectificador se ha quemado	Póngase en contacto con el distribuidor de Viper
	Cableado defectuoso	Póngase en contacto con el distribuidor de Viper
	Motor del cepillo defectuoso	Póngase en contacto con el distribuidor de Viper
	Escobillas de carbón gastadas	Póngase en contacto con el distribuidor de Viper
El motor de aspiración no funciona	Solenoides defectuosos	Póngase en contacto con el distribuidor de Viper
	Interruptor de aspiración estropeado	Póngase en contacto con el distribuidor de Viper
	Cableado defectuoso	Póngase en contacto con el distribuidor de Viper
	Motor de aspiración defectuoso	Póngase en contacto con el distribuidor de Viper
Corto tiempo de funcionamiento	Escobillas de carbón gastadas	Póngase en contacto con el distribuidor de Viper
	Hay que recargar las baterías	Cargue las baterías (véase Cargar la Batería)
	Las baterías necesitan mantenimiento	Véase Mantenimiento de las Baterías en este manual
	"Mala" célula en la(s) batería(s)	Reemplace las baterías
Poco o ningún flujo de solución	Cargador defectuoso	Reemplace el cargador
	Interruptor de solución defectuoso	Póngase en contacto con el distribuidor de Viper
	Solenoides de solución obstruidos	Póngase en contacto con el distribuidor de Viper
	Filtro de solución obstruido	Retire y limpie el filtro
	Tubos de disolución obstruidos	Retire y limpie los tubos de disolución

PROBLEMA	CAUSA	RESOLUCIÓN
	Hay que regular la palanca del flujo de disolución	Aumente el flujo al girar la palanca de ajuste a la derecha. Disminuya el flujo al girar la palanca de ajuste a la izquierda.
Deficiente recogida de agua	Escobilla de goma obstruida.	Limpie los desechos de la escobilla de goma con un paño húmedo.
	Láminas de la escobilla de goma gastadas	Instale nuevas láminas de la escobilla de goma
	La escobilla de goma no está montada correctamente	Compruebe que la unidad de la escobilla de goma está bien fijada a la máquina y no está suelta.
	Las mangueras de aspiración tienen un agujero o están flojas.	Revise las conexiones de la manguera y asegúrese de que estén firmes. Reemplace la manguera si está deteriorada.
	La manguera de aspiración puede estar obstruida.	Revise la manguera y remueva los desechos.
	Tapón de la manguera de desagüe está flojo	Apriete el tapón de desagüe
	Hay que recargar las baterías	Cargue las baterías (véase Cargar la Batería)
	Motor de aspiración flojo	Apriete los tornillos de montaje del motor de aspiración No lo apriete demasiado sino se producirán daños
	Tapa del tanque de recogida flojo	Compruebe que la tapa del depósito de recuperación está bien fija en su lugar
	El agujero de entrada el depósito de recuperación está obstruido.	Vacíe el tanque de recuperación e inclínelo de un lado Revise el orificio de entrada y remueva los desechos
	El tanque de recuperación está lleno.	Vacíe el tanque de recuperación.
El flotador de cierre está obstruido	Extraiga el flotador de cierre del interior del tanque de recuperación y remueva los desechos	

## ALMACENAMIENTO



### ¡PRECAUCIÓN!

¡Si va a guardar la máquina en un área que se puede congelar, asegúrese de que ambos tanques y los tubos de solución están vacíos de todo líquido, y secos!

- Almacene el equipo en un lugar seco y protegido contra heladas.
- La temperatura de almacenamiento de la máquina debe estar entre los 0°C y los +40°C.
- Siempre guarde la máquina en recintos interiores.
- Siempre quite el impulsor de la disco / cepillo
- Guarde la máquina con el conjunto de la escobilla de goma levantada del suelo.
- Si va a guardar en un área que puede alcanzar temperaturas de congelación, asegúrese de drenar todos los líquidos de la máquina antes de su almacenamiento. Cualquier daño, causado por temperaturas de congelación no está cubiertos por la garantía.
- Vacíe el tanque de recuperación y retire la mirilla en la parte superior del tanque de recuperación de modo que pueda "respirar" durante el almacenamiento.
- Vacíe el tanque de solución de todo líquido.

## RECICLAR LA LIMPIADORA

Deshágase de las limpiadoras viejas inservibles de inmediato.

- Extraiga las baterías
- No deseche los aparatos eléctricos junto con los residuos domésticos.



Como se especifica en la directiva europea 2002/96/CE sobre aparatos viejos eléctricos y electrónicos, aparatos eléctricos usados deben ser recogidos selectivamente y reciclados ecológicamente. Comuníquese con las autoridades locales o con su distribuidor más cercano para obtener más información.

## TABELA DE CONTEÚDOS

INTRODUÇÃO.....	132
OBJECTIVO DO MANUAL E CONTEÚDOS.....	132
OBJECTIVO.....	132
COMO MANTER ESTE MANUAL.....	132
DECLARAÇÃO DE CONFORMIDADE.....	132
DADOS DE IDENTIFICAÇÃO.....	132
OUTROS MANUAIS DE REFERÊNCIA.....	132
PEÇAS DE REPOSIÇÃO E MANUTENÇÃO.....	132
ALTERAÇÕES E MELHORAMENTOS.....	132
OBJECTIVO E UTILIZAÇÃO PRETENDIDA.....	132
CONVENÇÕES.....	133
DESAMPACOTA/ENTREGA.....	133
SEGURANÇA.....	133
SÍMBOLOS UTILIZADOS PARA MARCAR INSTRUÇÕES.....	133
INSTRUÇÕES GERAIS.....	134
DESCIÇÃO DA MÁQUINA.....	137
ESTRUTURA DA MÁQUINA.....	137
ACESSÓRIOS/OPÇÕES.....	138
DIAGRAMA ELÉCTRICO (FANG20HD-EU).....	140
OPERAÇÃO.....	141
ANTES DE INICIAR A MÁQUINA.....	141
ENQUANTO OPERA A MÁQUINA.....	145
MANUTENÇÃO.....	147
MANUTENÇÃO DIÁRIA.....	147
MANUTENÇÃO SEMANAL.....	147
MANUTENÇÃO MENSAL.....	147
LIMPEZA DO FILTRO DO MOTOR DO SISTEMA DE VÁCUO.....	147
LIMPEZA DO FILTRO DE ÁGUA LIMPA/SOLUÇÃO.....	148
VERIFICAÇÃO E SUBSTITUIÇÃO DA LÂMINADO RODO.....	148
LIMPEZA DA ESCOVA/PORTA DISCOS.....	149
RESOLUÇÃO DE PROBLEMAS.....	149
ARMAZENAMENTO.....	150
RECICLAGEM DO ASPIRADOR.....	150

## INTRODUÇÃO



### NOTA

Os números dentro de parentesis referem-se aos componentes mostrados no capítulo de Descrição da Máquina.

## OBJECTIVO DO MANUAL E CONTEÚDOS

O objectivo deste manual é fornecer ao operador todas as informações necessárias para utilizar a máquina correctamente, de forma segura e autónoma. Contém informação sobre dados técnicos, segurança, operação, armazenamento, manutenção, peças de reposição e deitar fora. Antes de realizar qualquer processo na máquina, os operadores e técnicos qualificados devem ler este manual cuidadosamente. Contacte a Viper no caso de dúvidas em relação à interpretação das instruções e para qualquer outra informação.

## OBJECTIVO

Este manual serve para os operadores e técnicos qualificados realizarem manutenção à máquina.

Os operadores não devem realizar processos reservados aos técnicos qualificados. A Viper não será responsável por danos resultantes do não cumprimento desta proibição.

## COMO MANTER ESTE MANUAL

O Manual do Utilizador deve ser mantido perto da máquina, dentro de uma bolsa adequada, longe de líquidos e outras substâncias que possam causar danos ao mesmo.

## DECLARAÇÃO DE CONFORMIDADE

A declaração de conformidade, fornecida com a máquina, certifica a conformidade da máquina com a lei em vigor.



### NOTA

Duas cópias da declaração de conformidade original são fornecidas juntamente com a documentação da máquina.

A declaração CE é impressa no Guia de Iniciação Rápida.

## DADOS DE IDENTIFICAÇÃO

O modelo da máquina e o número de série estão marcados na placa.

Esta informação é útil quando necessitar de peças de reposição da máquina. Utilize a tabela seguinte para escrever os dados de identificação.

Modelo da MÁQUINA.....

Número de série da MÁQUINA.....

## OUTROS MANUAIS DE REFERÊNCIA

- Manual de Serviço (pode ser consultado nos Centros de Serviço Viper)
- Lista de Peças de Reposição (veja [www.vipercleaning.eu](http://www.vipercleaning.eu))

## PEÇAS DE REPOSIÇÃO E MANUTENÇÃO

Todos os processos de operação, manutenção e reparação devem ser realizados por pessoal qualificado ou pelos Centros de Serviço da Viper. Unicamente peças de reposição e acessórios originais devem ser utilizados. Contacte a Viper para assistência ou peça peças de reposição e acessórios, especificando o modelo da máquina e número de série.

## ALTERAÇÕES E MELHORAMENTOS

A Viper melhora os seus produtos constantemente e reserve-se ao direito de realizar alterações e melhoramentos ao seu critério sem ser obrigada a aplicar esses benefícios nas máquinas vendidas anteriormente.

Qualquer alteração e/ou adição de acessórios deve ser aprovada e realizada pela Viper.

## OBJECTIVO E UTILIZAÇÃO PRETENDIDA

Todas as máquinas de limpeza automáticas são pretendidas exclusivamente para a limpeza molhada de coberturas de chão

resistente à água em edifícios interiores.

As máquinas de limpeza automática não podem ser utilizadas para carpetes e limpeza das mesmas.

Este aparelho é adequado para utilização comercial, como por exemplo hotéis, escolas, hospitais, lojas, escritórios e negócios de aluguer.

Qualquer outra utilização é considerada como utilização imprópria. O fabricante não aceita qualquer responsabilidade por qualquer dano resultante dessas utilizações. O risco para essas utilizações é unicamente suportado pelo utilizador.

A utilização correcta também inclui operação, assistência e reparação correctas como especificado pelo fabricante.

Alterações realizadas nas máquinas automáticas pelos próprios utilizadores excluem a responsabilidade do fabricante de qualquer dano resultante.

Coberturas de chão devem ser verificadas no que diz respeito à adequação do método de limpeza antes da utilização da máquina!

Note a pressão da superfície no caos de chãos com ponto elástico, como por exemplo em ginásios!

O fabricante não aceita responsabilidade por danos à máquina e à cobertura de chão a ser limpo que sejam causados por escovas e agentes de limpeza errados.

## CONVENÇÕES

Para a frente, para trás, frontal, traseiro, esquerda ou direita e cima são para a referência da posição do operador, ou seja na posição de trabalho.

## DESAMPACOTA/ENTREGA

Para desempacotar a máquina, siga cuidadosamente as instruções na embalagem.

Quando a máquina é entregue, verifique se a embalagem e a máquina não foram danificadas durante o transporte. No caso de danos visíveis, guarde a embalagem e mande verificar pelo transportador que a entregou. Chame o encarregado de imediato para preencher uma reclamação de danos.

Verifique os conteúdos da embalagem para se assegurar que os seguintes itens estão incluídos:




- máquina
- rodo
- escova (e porta disco)

## SEGURANÇA

Os seguintes símbolos indicam situações de perigo potenciais. Leia sempre esta informação com atenção e tome todas as precauções necessárias para proteger as pessoas e propriedade.

A cooperação do operador é essencial de modo a prevenir ferimentos. Nenhum programa de prevenção é eficaz sem a cooperação total da pessoa responsável pela operação da máquina. A maioria dos acidentes que possam ocorrer numa fábrica, enquanto trabalha ou se move, são causado pela falha de cumprimento das regras mais simples de prudência. Um operador cuidadoso e prudente é a maior garantia contra acidentes e é essencial para a conclusão de qualquer programa de prevenção.

## SÍMBOLOS UTILIZADOS PARA MARCAR INSTRUÇÕES

	<p><b>PERIGO!</b> Perigo que conduz directamente a ferimentos sérios ou irreversíveis, ou até mesmo morte.</p>
	<p><b>AVISO!</b> Perigo que possa conduzir a ferimentos sérios ou até mesmo morte.</p>
	<p><b>CUIDADO!</b> Perigo que pode conduzir a ferimentos e danos menores.</p>

**NOTA**

Indica uma observação relacionada com funções importantes ou úteis.

## INSTRUÇÕES GERAIS

Avisos e cuidados específicos para informar de danos potenciais a pessoas e à máquina são mostrados como abaixo.

O aparelho deve

- só ser utilizado por pessoas, que foram instruídas na utilização correcta e explicitamente autorizadas para a tarefa de utilização
- só ser operado sob supervisão
- não ser utilizado por crianças

A área de trabalho está atrás do aspirador.

Não utilize técnicas de trabalho não seguras.

Guie sempre o aspirador com ambas as mãos na alavanca.

Quando o aspirador está parado, desligue a unidade de escova de imediato de modo a prevenir danos à cobertura do chão.

Desligue o aparelho e desligue a ficha da bateria nas seguintes situações:

- Antes da limpeza e assistência
- Antes de substituir componentes
- Antes de alterar o aparelho

A utilização do aspirador é sujeita aos regulamentos nacionais actuais. Além das instruções de operação e regulamentos de prevenção de acidentes válidas no país de utilização, verifique os regulamentos reconhecidos para utilização segura e correcta.

## TRANSPORTE

Quando transportar o aspirador em elevadores

- observe os regulamentos de segurança, particularmente no que diz respeito à capacidade de carga.

## OPERAÇÃO

De modo a prevenir utilização não autorizada do aparelho, a fonte de alimentação deve ser desligada ou bloqueada, como por exemplo, ao retirar a chave de ignição.

Tome todas as precauções necessárias para evitar que cabelos, jóias e roupas soltas sejam agarradas pelas partes móveis do aparelho.

Antes de utilizar a máquina, feche todas as portas e/ou coberturas.

A temperatura de trabalho da máquina deve ser entre 0°C e +40°C.

A humidade deve ser entre 30% e 95%.

Não utilize a máquina como meio de transporte.

No caso de incêndio, utilize um extintor de incêndio a pó; nunca um a água.

Não mexa nas protecções de segurança da máquina e siga as instruções de manutenção minuciosamente.

Não permita que qualquer objecto entre nas aberturas. Não utilize a máquina se as aberturas estiverem tapadas. Mantenha sempre as aberturas limpas de pó, cabelos ou quaisquer outros materiais estranhos que possam reduzir o fluxo de ar.

Não remova ou modifique as placas afixadas na máquina.

Se a máquina for utilizada de acordo com as instruções, as vibrações não são perigosas. O nível de vibração da máquina é inferior a 2.5 m/s<sup>2</sup> (98/37/EEC-EN 1033/1995).

Os níveis de vibração da mão/braço são inferiores a 2,5 m/s<sup>2</sup> (medidos de acordo com ISO 5349), que é o limite para um período de 8 horas de trabalho contínuo.

Esta máquina não deve ser utilizada em estradas ou ruas públicas.

As máquinas Viper podem ser utilizadas em combinação com detergentes padrão que não possam danificar quaisquer materiais das máquinas Viper (não utilizar solventes ou outros materiais líquidos agressivos). A Viper não irá pagar quaisquer



reclamações em relação a utilização de detergentes agressivos nas máquinas Viper. Se necessitar de um detergente especial para fins de limpeza, contacte o seu revendedor Viper,

Preste atenção durante o transporte da máquina quando a temperatura estiver abaixo do ponto de congelamento. A água no depósito ou mangueiras pode congelar e danificar seriamente a máquina.

## MANUTENÇÃO

Para assegurar a utilização correcta e segura, a manutenção programada abaixo no capítulo relevante deste manual, deve ser realizada por pessoal autorizado ou pelo Centro de Assistência Viper.

Leia cuidadosamente as instruções antes de realizar qualquer processo de manutenção/reparação.

Não trabalhe debaixo da máquina levantada sem a suportar com suportes seguros.

Não limpe a máquina com jactos de água directos ou de pressão, ou com substâncias corrosivas.

## GARANTIA

As nossas condições gerais de comercialização são aplicadas de acordo com a garantia.



Modificações não autorizadas à máquina, a utilização de escovas incorrectas e detergentes, com adição à utilização da máquina de uma outra forma que não o objectivo pretendido, excluem o fabricante de qualquer responsabilidade pelos danos resultantes.

## TESTES E APROVAÇÕES

Testes eléctricos devem ser realizados de acordo com as previsões dos regulamentos de segurança (BGV A3) e DIN VDE 0701 Parte 1 e Parte 3.

De acordo com DIN VDE 0702, estes testes devem ser realizados com intervalos regulares e após reparações ou modificações.

## COMPONENTES ELÉCTRICOS

	<p><b>PERIGO</b> Baterias. Risco de explosão.</p> <ul style="list-style-type: none"> <li>➤ Processos de carregamento de bateria produz gás hidrogénio explosivo. Mantenha a junção do tanque aberta durante o carregamento da bateria e realize este processo com áreas bem ventiladas e longe de fogo aberto.</li> <li>➤ Para reduzir o risco de incêndio, choque eléctrico, ou ferimentos, não deixe a máquina fora de supervisão quando está ligada. Antes de realizar qualquer processo de manutenção, desligue o cabo de carregamento da bateria da tomada</li> <li>➤ Não fume enquanto carrega as baterias.</li> <li>➤ A utilização de peças de reposição não genuínas, acessórios, baterias e carregadores pode diminuir a segurança do aparelho. Só utilize peças de reposição e acessórios da Viper e utilize baterias e carregadores que a VIPER recomenda.</li> <li>➤ Se utilizar baterias e carregadores não certificados e não recomendados, a VIPER não irá cobrir o custo dos danos (garantia) causados por isso.</li> </ul>
	<p><b>CUIDADO</b> Carregador da bateria. Choque eléctrico devido a conexão a tomadas defeituosa ou cabo do carregador. Se tocar em conexões a tomadas ou cabos de carregadores defeituosos poderá resultar em ferimentos sérios ou até fatais.</p> <ul style="list-style-type: none"> <li>➤ Mantenha a bateria longe de faíscas, fogos e materiais incandescentes. Durante a operação normal, gases explosivos são libertos.</li> <li>➤ Antes de utilizar o carregador da bateria, certifique-se que os valores de frequência e voltagem, indicados na placa de número de série, correspondem à voltagem da tomada eléctrica.</li> <li>➤ Não danifique a ficha da tomada (por exemplo, passando por cima, puxando ou esmagando).</li> <li>➤ Verifique regularmente se o cabo de alimentação está danificado ou mostra algum sinal de desgaste.</li> </ul> <p>Substitua a ficha da tomada pelo seu representante de assistência Viper ou eléctrico qualificado antes de utilizar o aparelho novamente.</p>

- Não puxa ou transporte a máquina pelo cabo do carregador da bateria e nunca utilize o cabo de carregamento como alavanca. Não feche a porta por cima do cabo do carregador da bateria, nem puxe o cabo do carregador por cima de beiras ou cantos afiados.
- Mantenha o cabo do carregador da bateria longe de superfícies aquecidas.
- Não carregue as baterias se o cabo de carregamento ou a ficha estiverem danificados. Se a máquina não estiver a funcionar como deveria, está danificada, foi deixada no exterior ou caiu dentro de água, devolva à Central de Assistência

## ESCADAS E RAMPAS



### CUIDADO

- Risco de queda ou escorregamento em escadas e rampas.  
Quando estiver em escadas e rampas, existe um risco de ferimentos pessoais e danos à propriedade.
- Não utilize as escadas.
  - Só utilize o aparelho em superfícies niveladas com um máximo de inclinação de 2 %.

## REVESTIMENTO DE CHÃO



### CUIDADO

- Danos a revestimentos de chão sensíveis.  
Revestimentos de chão sensíveis podem ser danificados pela limpeza.
- Antes de utilizar o aspirador, verifique se os revestimentos do chão são adequados para esta técnica de limpeza.
  - Tenha cuidado com compressão de área em chãos de ponto elástico, como por exemplo salas de ginásio.
  - Só utilize agentes de limpeza aprovados pela Viper.

## MATERI



### AVISO

- Materiais perigosos para a saúde em revestimentos de chão.  
Revestimentos de chão podem conter materiais perigosos para a saúde, que podem dissolver-se durante a limpeza.
- Não limpe revestimentos de chão nos quais pó ou líquidos que sejam perigosos para a saúde se dissolvam.

## RISCO DE EXPLOSÃO



### AVISO

- Materiais inflamáveis e explosivos.  
Risco de explosão em atmosferas ou áreas explosivas onde materiais inflamáveis e explosivos estão armazenados.
- Não utilize a máquina perto de pós, líquidos ou vapores perigosos, inflamáveis e/ou explosivos

## PEÇAS DE REPOSIÇÃO E ACESSÓRIOS

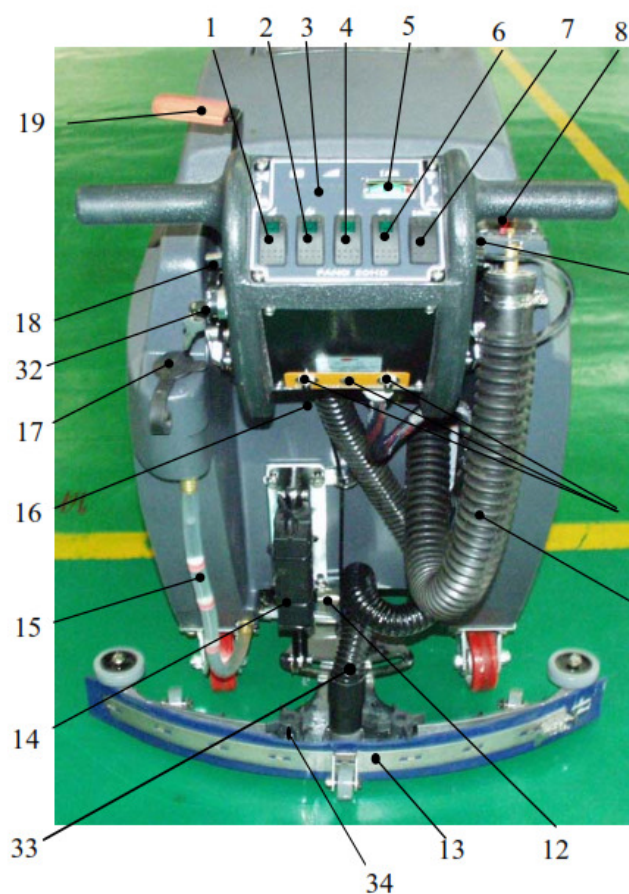


### CUIDADO

- Componentes não genuínos e detergentes não adequados.  
A utilização de partes não genuínas e detergentes não adequados podem diminuir a segurança do aparelho e conduzir a danos
- Só utilize peças de substituição e acessórios da Viper
  - Só utilize os acessórios e detergentes fornecidos com o aparelho ou aqueles especificados nas instruções de operação.

## DESCIÇÃO DA MÁQUINA

## ESTRUTURA DA MÁQUINA



1. Interruptor ON/OFF alimentação principal
2. Interruptor ON/OFF do aspirador
3. Controlo de nível da bateria
4. Interruptor ON/OFF da escova
5. Medidor de pressão da escova
6. Interruptor ON/OFF de solução
7. Interruptor CIMA/BAIXO de pressão de escova
8. Botão de controlo de solução
9. Botão de controlo de velocidade
10. Travões de circuito
11. Mangueira de drenagem do tanque de recuperação
12. Porca e haste de ajuste do rodo
13. Montagem do rodo
14. Actuador de cabeça de esfregagem
15. Tubo de visualização de nível do tanque de solução



16. Alavancas de ajuste de consola
17. Preenchimento de solução traseiro
18. Interruptor reverso
19. Alavanca de levantamento do rodo
20. Encaixe de controlo
21. Gatilhos de operação
22. Tanque de solução
23. Rodízios traseiros
24. Rodas de transporte
25. Cabeça de esfregagem
26. Borda de cabeça de esfregagem
27. Trava de encaixe de borda
28. Rolamentos protectores
29. Preenchimento de solução frontal
30. Tanque de recuperação
31. Tapa de tanque de recuperação
32. Interruptor chave
33. Mangueira de aspiração
34. Volante de montagem de do rodo

Volante de montagem Squeegee

**ACESSÓRIOS/OPÇÕES**

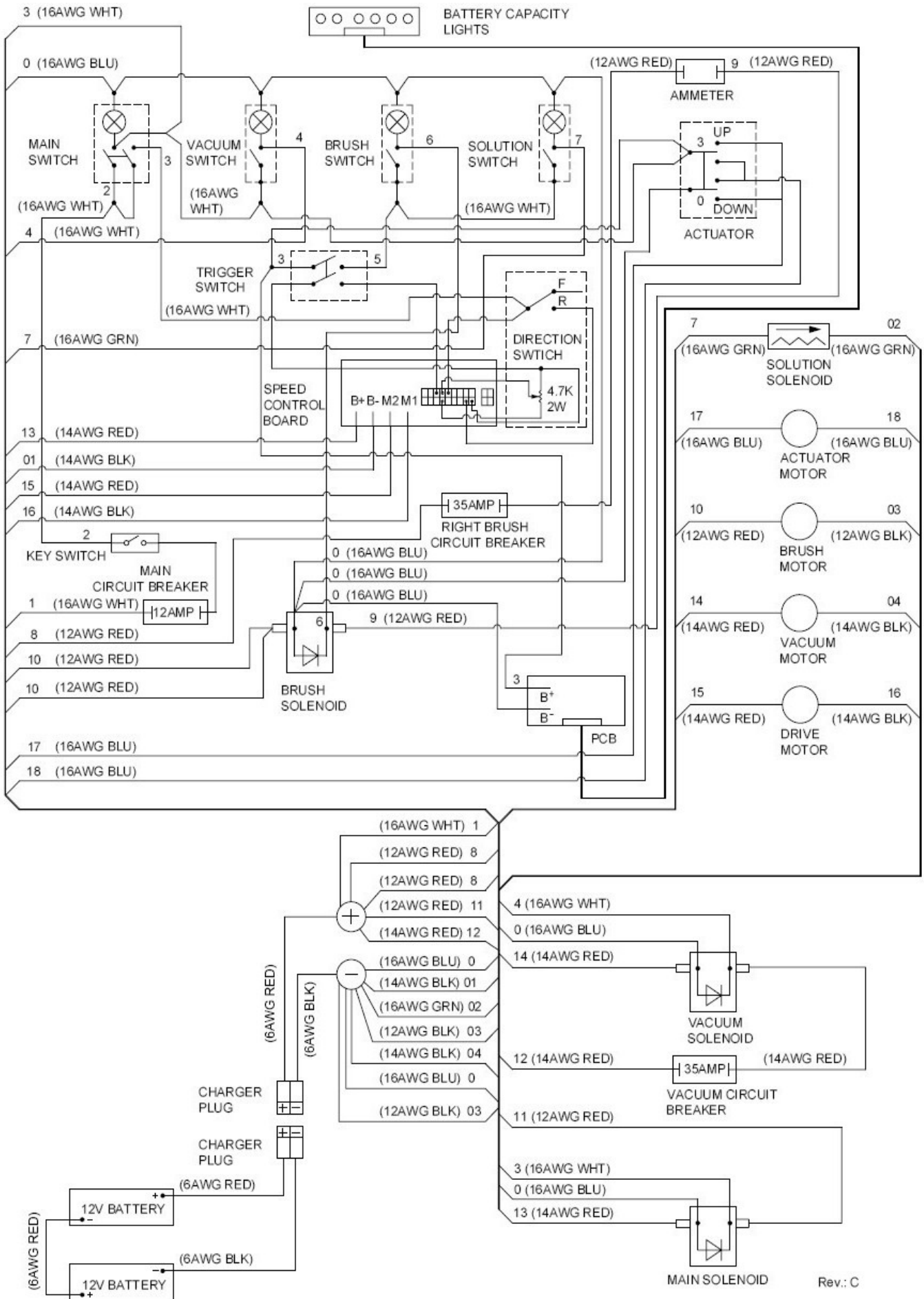
Em adição aos componentes padrão, a máquina pode ser equipada com os seguintes acessórios/opções de acordo com a utilização específica da máquina:

- Escova
- Discos

Para mais informações relativas aos acessórios opcionais, contacte um revendedor autorizado.

**DADOS TÉCNICOS**

Modelo		<b>FANG 20HD-EU</b> <b>(1 escova/suporte de almofada, com sistema de condução)</b>
Altura da máquina	mm	990
Capacidade do tanque de solução/água de	l	61
Capacidade do tanque de água de	l	61
Diâmetro das rodas frontais	mm	76
Diâmetro das rodas traseiras	mm	200
Energia do motor do sistema de vácuo	W	400
Energia do motor do sistema de condução	W	250
Velocidade de condução (variável)	km/h	0 – 4.5
Capacidade de grau	%	2
Nível de pressão de som em local de	dB(A)	69
Baterias padrão	Ah @ 20 h	2 x 12V/215AmP.hR
Capacidade de circuito de sistema de vácuo	mm H <sub>2</sub> O	1.397
Largura de limpeza	mm	510
Largura do rodo	mm	750
Comprimento máximo da máquina	mm	1.350
Largura da máquina sem do rodo	mm	560
Diâmetro da escova	mm	510
Peso sem baterias e com tanques vazios	kg	107
Peso máximo com baterias e tanques cheios	kg	181
Energia do motor de escova	W	560
Velocidade da escova	rpm	200
Pressão da escova/suporte de almofada	kg	UP TO91





**DIAGRAMA ELÉCTRICO (FANG20HD-EU )**

## DIAGRAMA DE ELÉCTRICO (FANG20HD-EU)

Códigos de cor


BLK	PRT
BLU	AZI
GRU	VRD
RED	VRM
WHT	BRC

1	BATTERY CAPACITY LIGHTS	LUZES CAPACIDADE BATERIA
2	MAIN SWITCH	INTERRUPTOR PRINCIPAL
3	VACUUM SWITCH	INTERRUPTOR DE VÁCUO
4	BRUSH SWITCH	INTERRUPTOR DE ESCOVA
5	SOLUTION SWITCH	INTERRUPTOR DE SOLUÇÃO
6	AMMETER	AMPERÓMETRO
7	ACTUATOR	ACTUADOR
8	TRIGGER SWITCH	INTERRUPTOR DE DISPARO
9	SPEED CONTROL BOARD	PLACA DE CONTROLO DE VELOCIDADE
10	DIRECTION SWITCH	INTERRUPTOR DIRECÇÃO
11	RIGHT BRUSH CIRCUIT BREAKER	DISJUNTOR DE ESCOVA DIREITA
12	KEY SWITCH	INTERRUPTOR CHAVE
13	MAIN CIRCUIT BREAKER	TRAVAÇÃO DE CIRCUÍTO PRINCIPAL
14	BRUSH SOLENOID	SOLENOÍDE DE ESCOVA
15	PCB	PCB
16	SOLUTION SOLENOID	SOLENOÍDE DE SOLUÇÃO
17	ACTUATOR MOTOR	MOTOR ACTUADOR
18	BRUSH MOTOR	MOTOR DE ESCOVA
19	VACUUM MOTOR	MOTOR DE VÁCUO
20	DRIVE MOTOR	MOTOR DE TRACÇÃO
21	VACUUM SOLENOID	SOLENOÍDE DE VÁCUO
22	VACUUM CIRCUIT BREAKER	DISJUNTOR DE VÁCUO
23	MAIN SOLENIOD	SOLENOÍDE PRINCIPAL
24	CHARGER PLUG	FICHA DE CARREGADOR
25	BATTERY	BATERIA




## OPERAÇÃO

### ANTES DE INICIAR A MÁQUINA

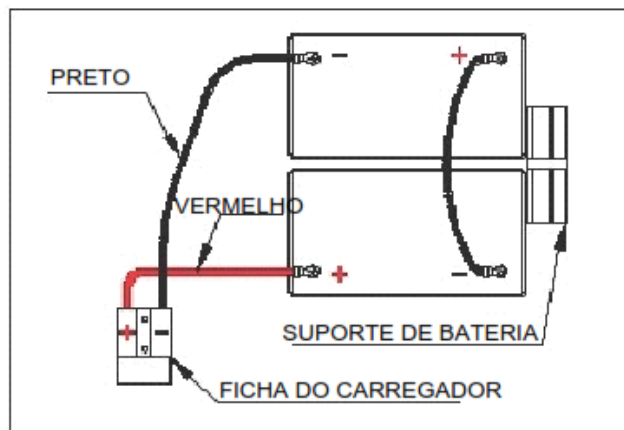
	<p><b>AVISO!</b> Em alguns pontos da máquina existem places adesivas indicando: PERIGO AVISO CUIDADO CONSULTA</p>
---	---

Enquanto lê este Manual, o operador deve prestar atenção aos símbolos mostrados nas places. Não as cobre por qualquer razão que seja e substitua-as de imediato se danificadas.

### INSTALAÇÃO DA BATERIA


	<p><b>AVISO!</b> Os componentes electrónicos da máquina podem ser seriamente danificados se as baterias forem instaladas ou ligadas incorrectamente. As baterias devem ser instaladas unicamente por pessoal qualificado.</p> <ul style="list-style-type: none"> <li>➤ Defina a placa electrónica de função e o carregador de bateria (opcional) de acordo com o tipo de baterias utilizadas (DE ÁCIDO ou GEL).</li> <li>➤ Verifique se as baterias estão danificadas antes de as instalar.</li> <li>➤ Desligue o conector de bateria e a ficha do carregador da bateria.</li> <li>➤ Manuseie as baterias com cuidado.</li> <li>➤ Instale as capas de protecção de terminal de bateria fornecido com a máquina.</li> </ul>
---	--

A máquina requer duas baterias 12 V, ligadas de acordo com o diagram abaixo:



Não existem baterias quando a máquina vem da fábrica, mas os clientes podem comprar as baterias (DE ÁCIDO ou GEL).

- Compre as baterias adequadas (ver parágrafo de Dados Técnicos).
  - Para a escolha e instalação das baterias, recorra a revendedores de baterias qualificados.
  - Defina a máquina e o carregador da bateria de acordo com o tipo de baterias instaladas (DE ÁCIDO ou GEL) como mostrado no parágrafo seguinte
- a) Quando as baterias (DE ÁCIDO ou GEL) já estão instaladas e prontas a utilizar
- Verifique se as baterias estão ligadas à máquina com a ficha do carregador.
  - Insira a chave de ignição (32) e mude para “on”.
- Se a luz de aviso verde (3) se ligar, as baterias estão prontas a utilizar.  
Se a luz de aviso amarela ou vermelha (3) se ligar, as baterias devem ser carregadas (veja o processo no capítulo de Manutenção).
- b) Quando as baterias (DE ÁCIDO) estão instaladas na máquina, mas sem electrólito
- Abra a tampa (31) e verifique se o tanque de água de recuperação (30) está vazio, caso contrário esvazie-o com a mangueira de drenagem (11).
  - Levante o tanque cuidadosamente (30).

	<p><b>AVISO!</b> Preste atenção quando utilizar ácido sulfúrico, uma vez que é corrosivo. Se entrar em contacto com a pele ou olhos, enxague com água e consulte um médico. As baterias devem ser carregadas numa área bem ventilada. Utilize luvas de protecção.</p>
---	---

- Encha as células da bateria com ácido sulfúrico para baterias (densidade 1.27 a 1.29 kg a 25°C) de acordo com as instruções abaixo mostradas no Manual das Baterias. A quantidade correcta de ácido sulfúrico é mostrada no Manual de Baterias.
- De modo a evitar danos ao chão, limpe com um pano o ácido ou água no topo das baterias após carregar.
- Deixe as baterias descansar e encha com o ácido sulfúrico de acordo com as instruções abaixo no Manual de Baterias.
- Carregue as baterias (ver processo no capítulo de Manutenção).

### DEFINIÇÃO DO CARREGADOR DA BATERIA

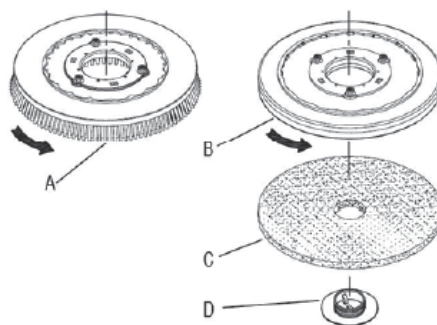
- As definições padrão do carregador são a posição comum para AGM, Gel, SLA, VRLA da fábrica
- Se necessário, utilize a posição ÁCIDO unicamente para baterias principais. Contacte o revendedor.

### VERIFICAÇÕES PRÉ-OPERAÇÃO

- Limpe a parte de fora da máquina.
- Verifique se a voltagem da máquina está em conformidade com a voltagem local.
- Verifique se o rodo está bem instalado.
- Verifique se a escova / porta discos está bem instalada.

### INSTALAÇÃO DO PORTA DISCOS OU ESCOVA

- Certifique-se que a máquina está desligada.
- Baixe a cabeça de escova para o chão pisando o pedal de pé e empurrando o mesmo para a frente.
- Incline a máquina para trás para aceder ao eixo do motor de condução.



#### NOTA

Retire o rodo antes de inclinar a máquina para trás. Faz com que o processo seja mais fácil e rápido.



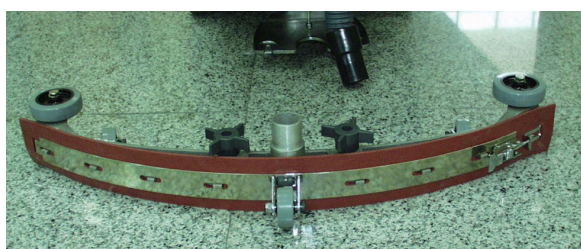
#### AVISO!

Não mantenha a máquina inclinada para trás durante muito tempo. Poderá fazer com que o ácido da bateria vaze..

- Se utilizar o porta discos, primeiro anexe o disco adequado ao porta disco.
- Monte o porta discos ou escova no eixo de motor de condução alinhando os três pinos com os três buracos no eixo de motor de condução. Assim que estejam nos buracos, rode o condutor para o clipe de mola para bloquear o condutor.

### MONTAGEM DO BOCAL DE ASPIRAÇÃO


- Puxe a alavanca de levantamento squeegee para levantar o suporte do rodo.
- Desaperte os dois manípulos no rodo e deslize-o para as ranhuras na traseira do suporte do rodo. (as rodas no ponto do rodo para trás)
- Aperte os manípulos de forma segura.




## ENCHIMENTO DO TANQUE DE SOLUÇÃO


O Fang 20HD-EU pode ser enchido em dois locais diferentes:

- Área de enchimento frontal para utilização com mangueira ou balde.
  - Área de enchimento traseira para utilização com mangueira.
- Determine qual das áreas gostaria de utilizar para encher com água.
  - Encha o tanque de solução com até 52 litros de água. (Temperatura da água não deve exceder os 40° C). O tubo transparente na parte esquerda traseira da máquina tem marcadores para ajudar a determinar o nível da água no tanque.


	<p><b>NOTA</b></p> <p>Se estiver a encher o tanque de solução com um balde, certifique-se que o balde está limpo. Irá prevenir que detritos entupam o circuito de água ou solenóide.</p>
---	--

	<p><b>AVISO!</b></p> <p>Não coloque qualquer material inflamável no tanque de solução. Isto poderá causar uma explosão ou incêndio. Utilize unicamente os químicos de limpeza recomendados. Contacte o seu distribuidor para recomendações nos químicos adequados.</p>
---	--


## INÍCIO E PARAGEM DE MÁQUINA

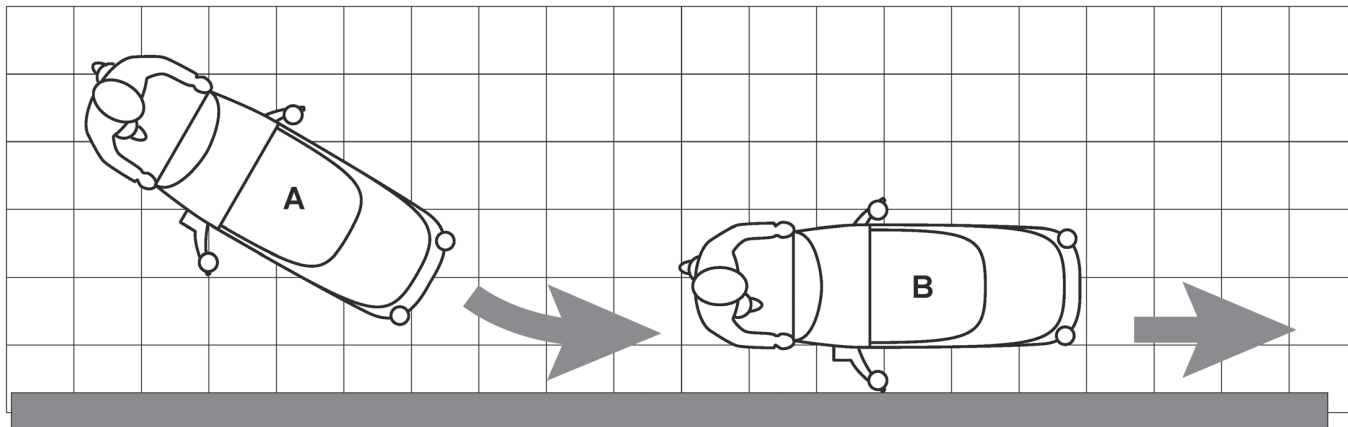
	<p><b>AVISO!</b></p> <p>Não utilize a máquina a não ser que tenha lido e compreendido este manual.</p>
---	--

- Defina o encaixe de controlo para uma altura de operação confortável apertando as duas alavancas de polegar (16) directamente debaixo do encaixe.
- Baixe a o rodo para o chão libertando a alavanca de levantamento (19) da sua posição de bloqueio.
- Baixe a cabeça de escova para o chão ligando o interruptor de escova(7) para a posição ON.
- Ligue o interruptor de energia principal(1) para a posição “ ON”.
- Ligue o interruptor de escova (4) para a posição “ON” .
- Ligue o interruptor de motor de vácuo (2) para a posição “ON”.
- Ligue o interruptor de solução (6) para a posição “ON” .
  - A solução não começará a fluir até os disparos de operação serem ligados.
- O Fang 20HD-EU tem tracção. A velocidade pode ser controlada por um botão (9) localizado no lado direito do encaixe de controlo.
- O Fang 20HD-EU tem marcha atrás. De modo a activar o marcha atrás, existe um interruptor de alternância (18) localizado no lado esquerdo do encaixe de controlo.
- Para iniciar a esfregar, empurre um ou ambos os gatilhos de operação (21). Quando estes gatilhos são carregados, a escova começará a rodar e a solução começará a fluir. FANG20HD-EU: irá deslocar-se automaticamente.FANG20HD-EU:Começará a esfregar quando mover a máquina para a frente

	<p><b>AVISO!</b></p> <p>Não mantenha a máquina na mesma posição com a disco / escova a rodar, ou poderá causar danos ao chão</p>
---	--

- Ajuste a quantidade de fluído de solução ligando o botão de controlo de solução (8). Vire para a direita para mais solução, ou para a esquerda para menos solução

	<p><b>NOTA</b></p> <p>Para esfregar/secar o chão de forma correcta nos lados das paredes, a Viper sugere que se dirija à mesmas com a parte direita da máquina como mostrado.</p>
---	---

**CUIDADO!**

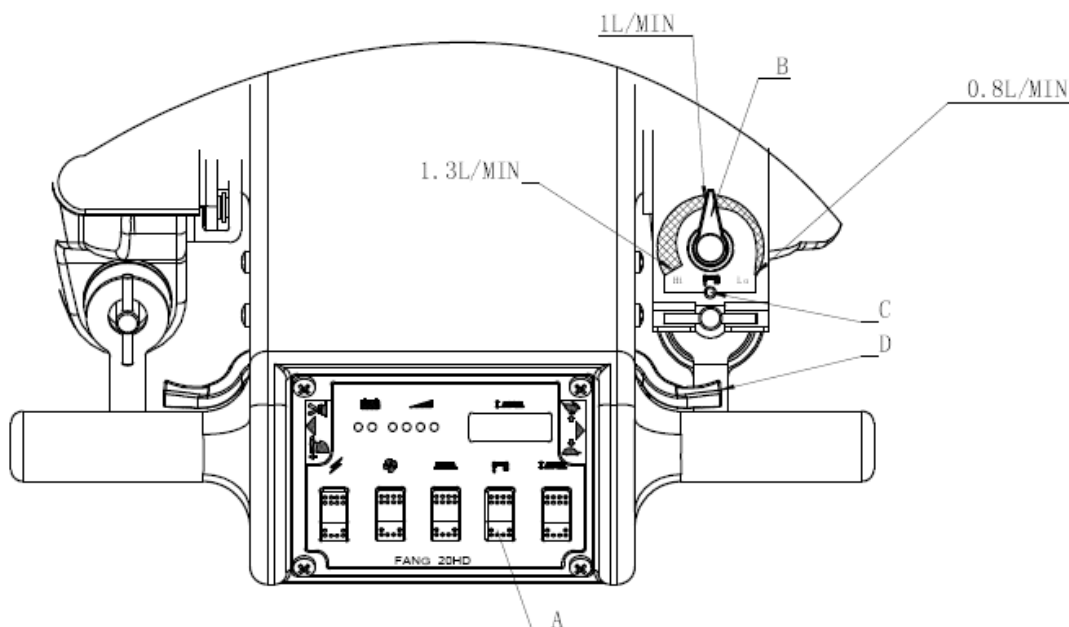
De modo a evitar qualquer dano à superfície do chão, desligue a escova/porta discos quando a máquina parar em algum lado, especialmente quando a função de pressão extra está ligada.

**AJUSTE DE FLUXO DE SOLUÇÃO**

- Ligue o interruptor de solução (A) para a posição “ON”.
- Ajuste o fluxo de solução girando o botão de controlo de solução (B), gire para a esquerda (contra relógio) para mais solução, ou gire para a direita (direcção do relógio) para menos solução. O pino (C) é a posição limite do botão de controlo de solução (B).

**NOTA**

Mesmo que o interruptor de solução esteja ligado (A), a solução não começará a fluir até os disparos de operação (D) sejam puxados.

**DESCARGA DA BATERIA DURANTE A OPERAÇÃO**

Enquanto que a luz de aviso verde (3) estiver ligada, as baterias permitem que a máquina funcione normalmente.

Quando a luz de aviso verde (3) se desligar, e a luz de aviso amarela (3) se ligar, é recomendado que recarregue as baterias, uma vez que a autonomia de resíduo durará durante alguns minutos (dependendo das características da bateria e trabalho realizado)

Quando a luz de aviso vermelha (3) se ligar, a autonomia terminou. Após alguns segundos, a escova/porta discos é desligado automaticamente, enquanto o sistema de vácuo e o sistema de condução ficam na mesma ligados, de modo a terminar com a secagem do chão e conduzir a máquina para a área de carregamento

**CUIDADO!**

Não utilize a máquina com baterias descarregadas, de modo a evitar danos às baterias e reduzir o tempo de utilização das mesmas.

**ENQUANTO OPERA A MÁQUINA**

- Olhe ocasionalmente para a tampa do tanque de recuperação transparente par aver se existe algum tipo de espuma a formar-se. Se espuma em excesso estiver a formar-se, adicione antiespumante ao tanque de recuperação

**AVISO!**

Espuma não deve entrar no ecrã da bóia, ou poderá danificar o motor de vácuo. Espuma não irá activar o dispositivo de desligamento de aspiração

- Verifique ocasionalmente o tubo transparente no lado esquerdo traseiro da máquina para verificar a quantidade de solução de limpeza que ainda tem na máquina.
- Verifique ocasionalmente o medidor de nível de bateria (3). Quando estiver no vermelho, recarregue as baterias.

**AVISO!**

Quando o medidor de bateria estiver no vermelho, não continue a utilizar a máquina. Poderá danificar a bateria

- So rodo deixar riscos no chão, levantar o rodo do chão e limpe as laminas com um pano molhado.

**AVISO!**

Não utilize os seus dedos para limpar ou remover resíduos das lâminas, pois pode-se ferir.

- Quando o tanque de solução ficar vazio, desligue o interruptor de escova e de solução e levante a cabeça da escova. Mantenha o rodo para baixo e continue a limpar até toda a água suja ser apanhada. (Ver secção de DRENAGEM DE TANQUE para saber como drenar os tanques de recuperação e solução)

**NOTA**

O motor de escova é protegido por disjuntores para proteger de danos. Se o disjuntor activar, não poderá ser reiniciado de imediato. Terá de determinar primeiro o que causou a activação do disjuntor e permitir que o motor arrefeça antes de o reiniciar.

**DRENAGEM DO TANQUE**

- Desligue a máquina.
- Com o rodo e a cabeça da escova na posição “cima”, transporte a máquina para a área de drenagem aprovada..

**DRENAGEM DE TANQUE DE RECUPERAÇÃO (SUJO)****NOTA**

Sempre se a limpeza for concluída, ou quando encher o tanque de solução, o tanque de recuperação deve ser drenado e limpo

**AVISO!**

Se o tanque de recuperação não for drenado quando o tanque de solução é enchido, espuma ou água poderão entrar no mecanismo da bóia e causar danos ao motor de vácuo.

- Retire a mangueira de drenagem do suporte, e coloque a mangueira de drenagem sobre a drenagem de chão. Desaperte a tampa da mangueira de drenagem para iniciar o processo de drenagem. De modo a esvaziar completamente o tanque de recuperação, dobre as entradas do tanque e deixe-o descansar no suporte.
- Limpe o tanque de recuperação após todas as utilizações. Utilize água fresca para limpar o tanque. Tenha cuidado para não deixar que água entre no mecanismo da bóia

**NOTA**

Se armazenar a máquina durante um longo período de tempo, deixe-a sempre com a tampa do tanque de recuperação aberta para que possa respirar, secar completamente

- Substitua a ficha da mangueira de drenagem assim que terminar de drenar o tanque

### DRENAGEM DO TANQUE DE SOLUÇÃO (LIMPO)



#### NOTA

Sempre que a operação de limpeza terminar, o tanque de solução deve ser drenado e limpo.

- Baixe o tubo transparente (esquerda traseira da máquina) para remover do espigão. Isto irá permitir a solução flua livremente para o balde ou drenagem do chão
- Limpe o tanque de solução com água limpa sempre que utilizar. Isto ajudará a prevenir a acumulação de químicos e de linhas de solução.
- Com água limpa no tanque de solução, ligue a máquina, interruptor de solução “on” e puxe os disparadores de operação. Isto permitirá a água limpa correr e limpar a canalização de solução.
- Assim que o tanque for limpo, despejado e drenado, reconecte o tubo transparente ao espigão. Certifique-se que o tubo está completamente encaixado no espigão.

### CARREGAMENTO DA BATERIA



#### NOTA

Para uma melhor execução da máquina, mantenha as baterias sempre carregadas. Não as deixe em condição descarregada



#### NOTA

Se a máquina não tiver um carregador de bateria opcional instalado, a máquina não poderá operar se o carregador não estiver colocado. No caso de mau funcionamento do carregador, contacte um Centro de Assistência autorizado



#### CUIDADO!

Utilize unicamente carregadores aprovados com as seguintes especificações:

- Circuito de desligamento automático
- Carregamento de ciclo profundo
- Corrente de saída de 10-20 Amps
- Voltagem de saída de 24 Volts



#### CUIDADO!

As baterias são perigosas! As baterias emitem gás hidrogénio e explosão ou incêndio poderá acontecer. Mantenha faíscas e fogo afastados das baterias. Quando carregar a máquina, certifique-se que o compartimento da bateria está aberto.



- Coloque o carregador e a máquina numa area bem ventilada.
- Desligue a máquina.



- Abra o tanque de recuperação, expondo o compartimento da bateria .
- Verifique o nível de fluido em cada bateria. Não carregue a não ser que o fluido esteja a cobrir as placas de bateria. Não sobrecarregue as baterias. Sobrecarregamento poderá fazer com as baterias transbordem durante o carregamento devido a expansão. Substitua as capas antes de carregar.
- Ligue um carregador aprovado numa tomada aterrada antes de ligar o carregador à máquina.
- Ligue o carregador ao receptáculo de carregador vermelho na esquerda frontal do compartimento da bateria.
- Levante o “Estribo” do tanque de recuperação e deite cuidadosamente o tanque de recuperação até que fique seguro no suporte.
- O carregador de bateria iniciará automaticamente a carregar as baterias, e desligar-se-á automaticamente assim que as baterias estiverem carregadas.
- Quando completar o carregamento, primeiro desligue o carregador da tomada, e de seguida desligue o carregador da máquina.
- Verifique o nível da bateria após carregar completamente. Se o nível de fluido estiver baixo, adicione água destilada para aumentar o nível de fluido dos tubos de visualização. Substitua as capas e limpe as baterias com um pano.

## MANUTENÇÃO

Para manter a máquina a funcionar durante anos, siga os seguintes processos de manutenção.



### **CUIDADO!**

Confirme sempre que a máquina está desligada e que o cabo de bateria está desligado antes de realizar qualquer manutenção ou reparação.

## MANUTENÇÃO DIÁRIA

- Retire o porta disco/escova e limpe com limpador aprovado.
- Drene os tanques de recuperação e solução completamente e limpe com água fresco. Verifique se o tanque de recuperação tem resíduos e limpe novamente se necessário
- Levante a montagem squeegee do chão e limpe com um pano molhado. Certifique-se que armazena o rodo na posição para cima.
- Retire o sistema da bóia e limpe com água limpa.
- Limpe a máquina com um produto aprovado e toalha molhada. Não deite água for a da máquina para evitar danos ao motor e cablagem.
- Recarregue as baterias.



## MANUTENÇÃO SEMANAL

- Verifique o nível de fluido nas baterias.
- Verifique se as baterias estão soltas ou com cabos corroídos.
- Mantenha os topos da bateria limpos de corrosão.

## MANUTENÇÃO MENSAL

- Verifique se a máquina tem vazamentos e fixadores soltos.
- Lubrifique todos os pontos de sujidade e pontos pivot com spray de silicone e gordura aprovada.
- Coloque a máquina sobre um chão de drenagem. Limpe o sistema de solução despejando 10 litros de água quente e detergente alcalino no tanque de solução e ligue a máquina (com controlo de solução ligado) durante 45 segundos. Desligue a máquina e deixe descansar durante a noite. No dia seguinte, drene a solução restante e limpe o tanque de solução com água limpa.


## LIMPEZA DO FILTRO DO MOTOR DO SISTEMA DE VÁCUO

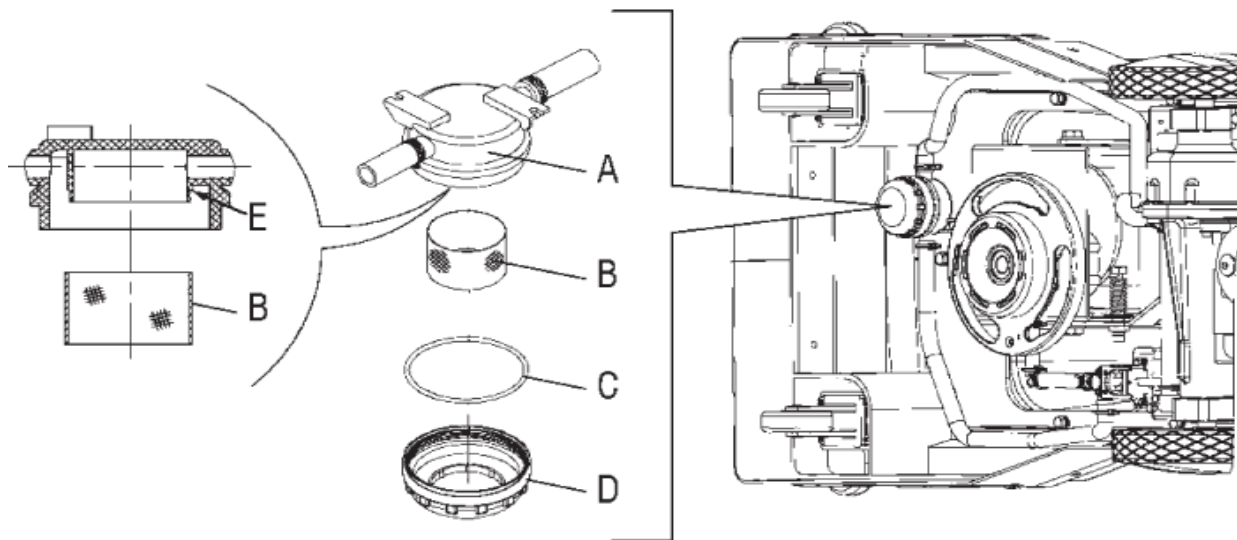
- conduza a máquina para um chão nivelado.
- Gire a chave de ignição (32) para “OFF”.
- Abra o tanque de água de recuperação.

- Se necessário, drene a água do tanque de modo a fazer com que o filtro fique visível.
- Verifique se o pré-filtro está limpo. Se necessário, limpe-o com água e ar comprimido, e instale.
- Realize os passos 1, 2 e 3 em ordem contrária.

### LIMPEZA DO FILTRO DE ÁGUA LIMPA/SOLUÇÃO

- Conduza a máquina para um chão nivelado.
- Gire a chave de ignição (32) para “OFF”.
- Retire o tampo transparente (D) (a posição do filtro de água está debaixo da máquina), e retire o cuador de filtro (B). Limpe e instale-os no suporte (A).

	<p><b>NOTA</b> O cuador de filtro (B) deve ser posicionado correctamente no encaixe(E) do suporte (A).</p>
---	--



### VERIFICAÇÃO E SUBSTITUIÇÃO DA LÂMINA DO RODO

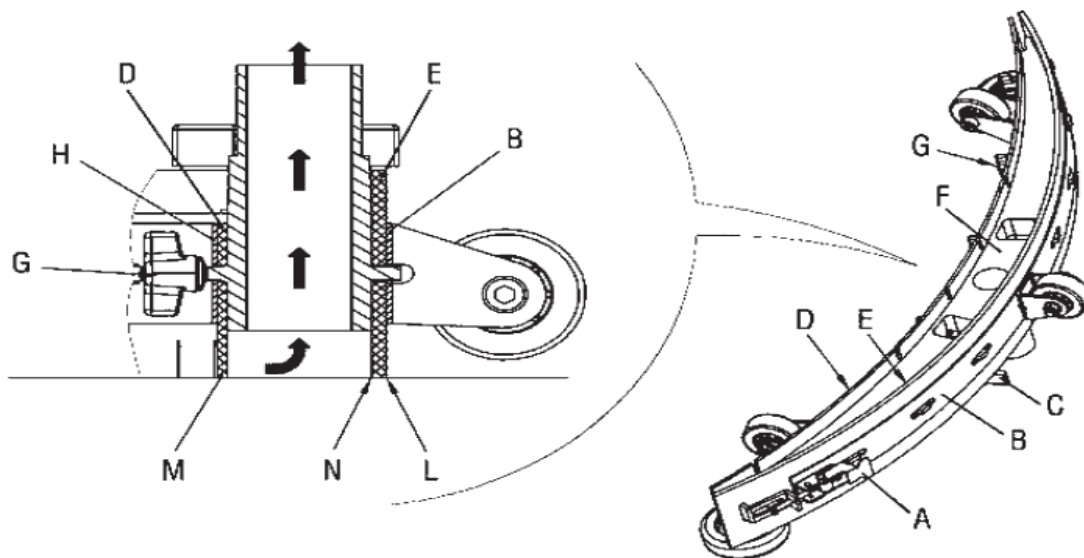
- Limpe o rodo como mostrado no parágrafo anterior.
- Verifique se a borda (M) da lâmina frontal (D) e a borda (L) da lamina traseira (E) estão ao mesmo nível, juntamente com o seu comprimento; caso contrário ajuste a sua altura de acordo com os seguinte processo:
  - Desengate os retentores (A) para ajustar a lamina traseira (E); volte a engatar os retentores.
  - Desaperte os volantes (G) e ajuste a lamina frontal (D); volte a apertar os volantes.
- Verifique as lâminas frontal (D) e traseira (E) por integridade, cortes e rasgões; se necessário, substitua-as como mostrado abaixo. Verifique se o canto frontal (N) da lâmina traseira não está desgastado; caso contrário, vire ao contrário para substituir o canto desgastado por um novo.

Se outros cantos também estiverem desgastados, substitua a lâmina de acordo com o seguinte processo:


- Desengate os retentores (A) e retire a faixa de retenção (B), e substitua/vire ao contrário a lâmina traseira (E). Instale a lâmina pela order contrária à da remoção.
- Desaperte os volantes (G) e retire a faixa de retenção (H), e substitua a lâmina frontal (D). Instale a lâmina pela order contrária à da remoção.

Após a substituição da lâmina (ou virar ao contrário), ajuste a altura como mostrado no passo anterior.

- Ligue a mangueira de vácuo (33) ao squeegee.
- Instale o rodo (13) e aperte os volantes (34).



**LIMPEZA DA ESCOVA/ALMOFADA**

	<p><b>CUIDADO!</b> Risco de corte. É aconselhado que utilize luvas protectoras quando limpar a escova/almofada uma vez que poderão existir sítios afiados.</p>
---	--

- Retire a escova/almofada da máquina, como mostrado no capítulo de Utilização
- Limpe a escova/almofada com água e detergente.
- Verifique se a escova/almofada está inteira e sem utilização excessiva; caso contrário substitua.

**RESOLUÇÃO DE PROBLEMAS**

PROBLEMA	CAUSA	SOLUÇÃO
Sem energia	Más baterias	Substitua as baterias
	Baterias têm de ser carregadas	Carregue as baterias (ver Carregar Baterias)
	Cabo de bateria solto	Ligue o(s) cabo(s) solto(s)
	Baterias não conectadas correctamente	Siga as instruções de instalação de bateria
Motor de escova não funciona	Interruptor de escova estragado	Contacte a Distribuidora Viper
	Disjuntor de circuito de escova activo	Verifique se o motor de escova tem obstruções e reinicie o travão
	Retificador queimou	Contacte a Distribuidora Viper
	Má cablagem	Contacte a Distribuidora Viper
	Motor de escova estragado	Contacte a Distribuidora Viper
	Escovas de carvão desgastadas	Contacte a Distribuidora Viper
Motor de vácuo não executa	Mau solenóide	Contacte a Distribuidora Viper
	Interruptor de vácuo estragado	Contacte a Distribuidora Viper
	Má fiação	Contacte a Distribuidora Viper
	Motor de vácuo estragado	Contacte a Distribuidora Viper
Tempo de execução curto	Escovas de carvão desgastadas	Contacte a Distribuidora Viper
	Baterias necessitam ser carregadas	Carregue as baterias (ver Carregamento de Baterias)
	Baterias necessitam de manutenção	Ver Manutenção de Baterias neste Manual
	Célula estragada na(s) bateria(s)	Substitua as baterias
Pouco ou sem fluxo de solução	Carregador estragado	Substitua o carregador
	Interruptor de solução estragado	Contacte a Distribuidora Viper
	Solenóide de solução entupida	Contacte a Distribuidora Viper

PROBLEMA	CAUSA	SOLUÇÃO
	Filtro de solução entupido	Retire o filtro e limpe
	Linha de solução obstruída	Retire a linha de solução e limpe
	Botão de ajuste de fluxo de solução necessita ajuste	Aumente o fluxo girando o botão de ajuste de solução para a direita. Diminua o fluxo girando o botão de ajuste de solução para a esquerda
Pouca entrada de água	Rodo entupido	Limpe os detritos do do rodo com um pano húmido
	Lâminas do rodo desgastadas	Instale novas lâminas do rodo
	Rodo não está correctamente montado	Confirme se a montagem do rodo está bem apertada à máquina e não está solta
	Mangueiras de vácuo têm um buraco ou estão soltas	Verifique as conexões de mangueira e certifique-se que estão firmes. Substitua a mangueira se danificada
	Mangueiras de vácuo podem estar entupidas	Verifique se a mangueira tem resíduos e limpe
	Tampa de mangueira de drenagem está solto	Aperte a ficha de drenagem
	Baterias têm de ser carregadas	Carregue as baterias (ver Carregamento de Baterias)
	Motor de vácuo está solto	Aperte parafusos de montagem de motor de vácuo. Não aperte demasiado ou poderá danificar
	Tampa de tanque de recuperação está solta	Confirme se a tampa de tanque de recuperação transparente está bem segura
	Buraco de entrada de tanque de recuperação está entupido	Drene o tanque de recuperação e incline-o para o lado. Verifique se o buraco de entrada tem resíduos e remova-os
	Tanque de recuperação está entupido	Drene o tanque de recuperação
	Desligamento de flutuação está entupido	Retire o desligamento de flutuação do tanque de recuperação e limpe os resíduos

## ARMAZENAMENTO



### CUIDADO!

Se estiver a armazenar a máquina numa área que possa congelar, certifique-se que ambos os tanques e os tubos de solução estão vazios de qualquer água e secos!

- Armazene o aparelho num local seco, protegido de congelamento.
- A temperatura de armazenamento da máquina deve ser entre 0°C e +40°C.
- Armazene sempre em interiores.
- Tire sempre o conductor de almofada/escova
- Armazene sempre a máquina com a montagem squeegee levantada do chão.
- Se armazenada numa área que possa chegar a temperaturas de congelamento, certifique-se que drena todos os fluidos da máquina antes de armazenar. Qualquer danos causado por temperaturas de congelamento não serão cobertos pela garantia
- Drene o tanque de recuperação e retire a tampa do tanque de recuperação para que possa “respirar” durante o armazenamento
- Drene o tanque de solução de todos os fluidos.

## RECICLAGEM DO ASPIRADOR

Certifique-se que o aspirador antigo fica inutilizável de imediato:

- Retire as baterias
- Não deite fora aparelhos eléctricos juntamente com o lixo doméstico.



Como especificado na Directiva Europeia 2002/96/EC sobre aparelhos electrónicos e eléctricos, aparelhos utilizados devem ser recolhidos separadamente e reciclados ecologicamente. Contacte as suas autoridades locais ou o revendedor mais próximo para mais informações.

## ΠΕΡΙΕΧΟΜΕΝΑ

ΕΙΣΑΓΩΓΗ.....	152
ΣΚΟΠΟΣ ΚΑΙ ΠΕΡΙΕΧΟΜΕΝΑ ΤΟΥ ΕΓΧΕΙΡΙΔΙΟΥ ΧΡΗΣΤΗ.....	152
ΣΤΟΧΟΣ.....	152
ΦΥΛΑΞΗ ΤΟΥ ΕΓΧΕΙΡΙΔΙΟΥ.....	152
ΔΗΛΩΣΗ ΣΥΜΜΟΡΦΩΣΗΣ.....	152
ΣΤΟΙΧΕΙΑ ΑΝΑΓΝΩΡΙΣΗΣ.....	152
ΛΟΠΙΑ ΕΓΧΕΙΡΙΔΙΑ ΑΝΑΦΟΡΑΣ.....	152
ΑΝΤΑΛΛΑΚΤΙΚΑ ΚΑΙ ΣΥΝΤΗΡΗΣΗ.....	152
ΑΛΛΑΓΕΣ ΚΑΙ ΒΕΛΤΙΩΣΕΙΣ.....	152
ΣΚΟΠΟΣ ΚΑΙ ΧΡΗΣΗ ΓΙΑ ΤΗΝ ΟΠΟΙΑ ΠΡΟΟΡΙΖΕΤΑΙ ΤΟ ΜΗΧΑΝΗΜΑ.....	153
ΣΥΝΗΘΕΙΣ ΟΡΟΙ.....	153
ΑΠΟΣΥΣΚΕΥΑΣΙΑ / ΠΑΡΑΔΟΣΗ.....	153
ΑΣΦΑΛΕΙΑ.....	153
ΣΥΜΒΟΛΑ ΠΟΥ ΧΡΗΣΙΜΟΠΟΙΟΥΝΤΑΙ ΓΙΑ ΤΗΝ ΕΠΙΣΗΜΑΝΣΗ ΟΔΗΓΙΩΝ.....	153
ΓΕΝΙΚΕΣ ΟΔΗΓΙΕΣ.....	154
ΠΕΡΙΓΡΑΦΗ ΤΟΥ ΜΗΧΑΝΗΜΑΤΟΣ.....	158
ΔΟΜΗ ΤΟΥ ΜΗΧΑΝΗΜΑΤΟΣ.....	158
ΕΞΑΡΤΗΜΑΤΑ / ΕΠΙΛΟΓΕΣ.....	159
ΣΧΕΔΙΑΓΡΑΜΜΑ ΣΥΝΔΕΣΜΟΛΟΓΙΑΣ (FANG20HD-EU ).....	161
ΛΕΙΤΟΥΡΓΙΑ.....	162
ΠΡΙΝ ΞΕΚΙΝΗΣΕΤΕ ΤΗ ΛΕΙΤΟΥΡΓΙΑ ΤΟΥ ΜΗΧΑΝΗΜΑΤΟΣ.....	162
ΚΑΤΑ ΤΗ ΔΙΑΡΚΕΙΑ ΛΕΙΤΟΥΡΓΙΑΣ ΤΟΥ ΜΗΧΑΝΗΜΑΤΟΣ.....	167
ΣΥΝΤΗΡΗΣΗ.....	169
ΚΑΘΗΜΕΡΙΝΗ ΣΥΝΤΗΡΗΣΗ.....	169
ΕΒΔΟΜΑΔΙΑΙΑ ΣΥΝΤΗΡΗΣΗ.....	170
ΜΗΝΙΑΙΑ ΣΥΝΤΗΡΗΣΗ.....	170
ΣΥΣΤΗΜΑ ΚΑΘΑΡΙΣΜΟΥ ΦΙΛΤΡΟΥ ΚΙΝΗΤΗΡΑ.....	170
ΚΑΘΑΡΙΣΜΟΣ ΦΙΛΤΡΟΥ ΔΙΑΛΥΜΑΤΟΣ / ΚΑΘΑΡΟΥ ΝΕΡΟΥ.....	170
ΕΛΕΓΧΟΣ ΤΟΥ ΠΤΕΡΥΓΙΟΥ ΤΟΥ ΜΑΚΤΡΟΥ ΚΑΙ ΑΝΤΙΚΑΤΑΣΤΑΣΗ.....	171
ΚΑΘΑΡΙΣΜΟΣ ΒΟΥΡΤΣΑΣ / ΒΑΣΗΣ.....	172
ΕΠΙΛΥΣΗ ΠΡΟΒΛΗΜΑΤΩΝ.....	172
ΑΠΟΘΗΚΕΥΣΗ.....	174
ΑΝΑΚΥΚΛΩΣΗ ΤΟΥ ΜΗΧΑΝΗΜΑΤΟΣ ΚΑΘΑΡΙΣΜΟΥ.....	174

## ΕΙΣΑΓΩΓΗ



### ΣΗΜΕΙΩΣΗ

Οι αριθμοί σε παρένθεση αναφέρονται στα εξαρτήματα που εμφανίζονται στο κεφάλαιο «Περιγραφή μηχανήματος».

## ΣΚΟΠΟΣ ΚΑΙ ΠΕΡΙΕΧΟΜΕΝΑ ΤΟΥ ΕΓΧΕΙΡΙΔΙΟΥ ΧΡΗΣΤΗ

Σκοπός του εγχειριδίου χρήστη είναι να δώσει στο χειριστή όλες τις απαραίτητες πληροφορίες για να χρησιμοποιεί σωστά το μηχάνημα, με ασφαλή και αυτόνομο τρόπο. Περιέχει πληροφορίες σχετικά με τεχνικά στοιχεία, ασφάλεια, λειτουργία, αποθήκευση, συντήρηση, ανταλλακτικά και αποκομιδή. Πριν εκτελέσετε οποιαδήποτε διαδικασία στο μηχάνημα, οι χειριστές και εξειδικευμένοι τεχνικοί πρέπει να διαβάσουν προσεκτικά αυτό το εγχειρίδιο. Επικοινωνήστε με τη Viper σε περίπτωση που υπάρχει αμφιβολία σχετικά με την ερμηνεία των οδηγιών και για οποιαδήποτε περαιτέρω πληροφορία.

## ΣΤΟΧΟΣ

Το εγχειρίδιο αυτό προορίζεται για χειριστές και εξειδικευμένο τεχνικό προσωπικό που θα κάνουν συντήρηση του μηχανήματος.

Οι χειριστές δεν πρέπει να εκτελούν διαδικασίες που προορίζονται για εξειδικευμένους τεχνικούς. Η Viper δε φέρει καμία ευθύνη για ζημιές που προέρχονται από τη μη τήρηση της απαγόρευσης αυτής.

## ΦΥΛΑΞΗ ΤΟΥ ΕΓΧΕΙΡΙΔΙΟΥ

Το εγχειρίδιο χρήστη πρέπει να φυλάσσεται κοντά στο μηχάνημα, μέσα σε θήκη που να το προστατεύει από υγρά κι άλλες ουσίες που μπορεί να του δημιουργήσουν ζημιά.

## ΔΗΛΩΣΗ ΣΥΜΜΟΡΦΩΣΗΣ

Η δήλωση συμμόρφωσης που συνοδεύει το μηχάνημα, πιστοποιεί ότι το μηχάνημα ακολουθεί την ισχύουσα νομοθεσία.



### ΣΗΜΕΙΩΣΗ

Μαζί με τα άλλα έγγραφα του μηχανήματος θα βρείτε και δύο αντίγραφα της πρωτότυπης δήλωσης συμμόρφωσης. Η σήμανση CE αναγράφεται στον Οδηγό γρήγορης εκκίνησης.

## ΣΤΟΙΧΕΙΑ ΑΝΑΓΝΩΡΙΣΗΣ

Το μοντέλο του μηχανήματος και ο σειριακός του αριθμός αναγράφονται πάνω στην πινακίδα.

Η πληροφορία αυτή είναι χρήσιμη όταν χρειάζονται ανταλλακτικά για το μηχάνημα. Χρησιμοποιήστε τον παρακάτω πίνακα για να καταγράψετε τα στοιχεία αναγνώρισης του μηχανήματος.

Μοντέλο του μηχανήματος.....
Σειριακός αριθμός του μηχανήματος.....

## ΛΟΙΠΑ ΕΓΧΕΙΡΙΔΙΑ ΑΝΑΦΟΡΑΣ

- Εγχειρίδιο σέρβις (διαθέσιμο για χρήση σε Κέντρα εξυπηρέτησης πελατών της Viper)
- Κατάλογος ανταλλακτικών (βλ. [www.vipercleaning.eu](http://www.vipercleaning.eu))

## ΑΝΤΑΛΛΑΚΤΙΚΑ ΚΑΙ ΣΥΝΤΗΡΗΣΗ

Όλες οι απαραίτητες διαδικασίες λειτουργίας, συντήρησης και επισκευής πρέπει να εκτελούνται από εξειδικευμένο προσωπικό ή από Κέντρα εξυπηρέτησης πελατών της Viper. Πρέπει να χρησιμοποιούνται μόνο γνήσια ανταλλακτικά και εξαρτήματα. Επικοινωνήστε με τη Viper για σέρβις ή για να παραγγείλετε ανταλλακτικά και αξεσουάρ, καθορίζοντας το μοντέλο μηχανήματος και το σειριακό αριθμό.

## ΑΛΛΑΓΕΣ ΚΑΙ ΒΕΛΤΙΩΣΕΙΣ

Η εταιρεία Viper βελτιώνει συνεχώς τα προϊόντα της και διατηρεί το δικαίωμα να προβεί σε αλλαγές και βελτιώσεις κατά την κρίση της, χωρίς να είναι υποχρεωμένη να εφαρμόσει τις ίδιες βελτιώσεις σε μηχανήματα που είχαν πωληθεί προηγουμένως.

Οποιαδήποτε αλλαγή ή / και προσθήκη αξεσουάρ πρέπει να την εγκρίνει και να την εκτελέσει η ίδια η εταιρεία Viper.



## ΣΚΟΠΟΣ ΚΑΙ ΧΡΗΣΗ ΓΙΑ ΤΗΝ ΟΠΟΙΑ ΠΡΟΟΡΙΖΕΤΑΙ ΤΟ ΜΗΧΑΝΗΜΑ

Όλες οι αυτόματες μηχανές καθαρισμού προορίζονται αποκλειστικά για υγρό καθαρίσµα αδιάβροχων επενδύσεων δαπέδων σε εσωτερικούς χώρους κτιρίων.

Οι αυτόματες μηχανές καθαρισμού δεν μπορούν να χρησιμοποιηθούν για καθαρισμό μοκετών και χαλιών.

Αυτή η συσκευή είναι κατάλληλη για εμπορική χρήση, για παράδειγμα σε ξενοδοχεία, σχολεία, νοσοκομεία, εργοστάσια, καταστήματα, γραφεία και επιχειρήσεις. Οποιαδήποτε άλλη χρήση θεωρείται ως μη ενδεδειγμένη. Ο κατασκευαστής δε φέρει καμία ευθύνη για τυχόν ζημιές που προκύπτουν από τέτοια χρήση. Ο κίνδυνος από τέτοια χρήση βαρύνει αποκλειστικά και μόνο το χρήστη.

Η ορθή χρήση περιλαμβάνει επίσης τη σωστή λειτουργία, συντήρηση και επισκευή, όπως καθορίζει ο κατασκευαστής.

Οι αλλαγές που κάνουν οι ίδιοι οι χρήστες στα αυτόματα μηχανήματα αποκλείουν την ευθύνη του κατασκευαστή για τυχόν ζημιές που προκύπτουν.

Θα πρέπει να ελέγχει κανείς εάν αυτή η μέθοδος καθαρισμού είναι κατάλληλη για επενδύσεις δαπέδων, πριν χρησιμοποιήσει το μηχάνημα!

Σημειώστε την πίεση της επιφάνειας σε περίπτωση αντικραδασμικών ελαστικών δαπέδων, π.χ. σε γυμναστήρια!

Ο κατασκευαστής δεν αναλαμβάνει καμία ευθύνη για ζημιές στο μηχάνημα και το πάτωμα που πρόκειται να καθαριστεί, όταν η ζημιά έχει προκληθεί από τη χρήση λάθος βούρτσας και απορρυπαντικού.

## ΣΥΝΗΘΕΙΣ ΟΡΟΙ

Οι όροι «κατεύθυνση εμπρός, κατεύθυνση πίσω, εμπρός, πίσω, αριστερά ή δεξιά και πάνω» αναφέρονται σε σχέση με τη θέση του χειριστή, δηλαδή σε θέση λειτουργίας.

## ΑΠΟΣΥΣΚΕΥΑΣΙΑ / ΠΑΡΑΔΟΣΗ

Για να ξεπακετάρετε το μηχάνημα, ακολουθήστε προσεκτικά τις οδηγίες που υπάρχουν πάνω στη συσκευασία.

Κατά την παράδοση του μηχανήματος, ελέγξτε τη συσκευασία και το μηχάνημα για τυχόν ζημιές κατά τη μεταφορά. Στην περίπτωση ορατών ζημιών κρατήστε τη συσκευασία και ζητήστε από τον μεταφορέα που την παρέδωσε να την ελέγξει. Καλέστε αμέσως το μεταφορέα και κάνετε μια δήλωση ζημιάς.

Ελέγξτε το περιεχόμενο της συσκευασίας για να δείτε εάν περιλαμβάνονται τα ακόλουθα στοιχεία:



- μηχάνημα
- μηχανισμός μάκτρου
- Οδηγός βούρτσας (και οδηγός βάσης)

## ΑΣΦΑΛΕΙΑ

Τα παρακάτω σύμβολα καταδεικνύουν πιθανά επικίνδυνες καταστάσεις. Πάντοτε να διαβάσετε τις πληροφορίες προσεκτικά και να παίρνετε όλες τις απαραίτητες προφυλάξεις για την προστασία ανθρώπων και αποφυγή υλικών ζημιών.

Είναι απαραίτητη η συνεργασία του χειριστή για την πρόληψη τραυματισμών. Κανένα πρόγραμμα πρόληψης ατυχημάτων δεν είναι αποτελεσματικό χωρίς την πλήρη συνεργασία του υπεύθυνου για τη λειτουργία του μηχανήματος. Τα περισσότερα από τα ατυχήματα που μπορεί να συμβούν σ' ένα εργοστάσιο, στη διάρκεια εργασίας ή απλής μετακίνησης μέσα στο χώρο, προκαλούνται από τη μη συμμόρφωση με κανόνες σχετικούς με τη χρήση σύνεσης. Όταν ο χειριστής είναι προσεκτικός και συνετός, αυτό αποτελεί την καλύτερη εγγύηση κατά ατυχημάτων και είναι απαραίτητο να υπάρχει ένας τέτοιος χειριστής για την επιτυχή ολοκλήρωση κάθε προγράμματος πρόληψης.

## ΣΥΜΒΟΛΑ ΠΟΥ ΧΡΗΣΙΜΟΠΟΙΟΥΝΤΑΙ ΓΙΑ ΤΗΝ ΕΠΙΣΗΜΑΝΣΗ ΟΔΗΓΙΩΝ

	<p><b>ΚΙΝΔΥΝΟΣ!</b> Κίνδυνος που οδηγεί άμεσα σε σοβαρές ή μη αναστρέψιμες βλάβες, ή ακόμα και σε θάνατο.</p>
	<p><b>ΠΡΟΕΙΔΟΠΟΙΗΣΗ!</b> Κίνδυνος που μπορεί να οδηγήσει σε σοβαρούς τραυματισμούς ή ακόμα και σε θάνατο.</p>

**ΠΡΟΣΟΧΗ!**

Κίνδυνος που μπορεί να οδηγήσει σε ελαφρούς τραυματισμούς και ζημιές.

**ΣΗΜΕΙΩΣΗ**

Υποδεικνύει κάποιο σχόλιο σχετικό με σημαντικές ή χρήσιμες λειτουργίες.

**ΓΕΝΙΚΕΣ ΟΔΗΓΙΕΣ**

Παρακάτω θα βρείτε ειδικές προειδοποιήσεις και προφυλάξεις που ενημερώνουν σχετικά με την πιθανή πρόκληση βλάβης σε ανθρώπους και στο μηχάνημα.

Η συσκευή πρέπει

- να χρησιμοποιείται μόνο από άτομα τα οποία έχουν εκπαιδευτεί στη σωστή χρήση του, κι έχουν ρητά επιφορτιστεί με το καθήκον λειτουργίας του
- να λειτουργεί μόνο υπό επίβλεψη
- να μην χρησιμοποιείται από παιδιά

Το άτομο που εκτελεί τον καθαρισμό δουλεύει με κίνηση προς τα εμπρός.

Μην χρησιμοποιείτε τεχνικές εργασίας που δεν είναι ασφαλείς.

Πάντα να καθοδηγείτε το καθαριστικό μηχάνημα και με τα δύο χέρια πάνω στη λαβή.

Όταν το άτομο που εκτελεί τον καθαρισμό δεν κινείται, απενεργοποιήστε αμέσως τη βούρτσα για να μην προκληθεί ζημιά στο δάπεδο.

Απενεργοποιήστε τη συσκευή και αποσυνδέστε το φως της μπαταρίας στις ακόλουθες περιπτώσεις:

- Πριν από τον καθαρισμό και τη συντήρηση
- Πριν από την αντικατάσταση εξαρτημάτων
- Πριν από τη μετατροπή της συσκευής

Η χρήση του μηχανήματος καλύπτεται από την παρούσα νομοθεσία της χώρας. Εκτός από τις οδηγίες λειτουργίας και υποχρεωτικούς κανονισμούς πρόληψης ατυχημάτων που ισχύουν στη χώρα χρήσης, παρακαλούμε να τηρείτε τους γενικά αποδεκτούς κανονισμούς για ασφαλή και σωστή εργασία.

**ΜΕΤΑΦΟΡΑ**

Κατά τη μεταφορά του μηχανήματος σε ανελκυστήρες

- Να τηρείτε τους ισχύοντες κανονισμούς ασφαλείας, ιδίως όσον αφορά τη μεταφορά.

**ΛΕΙΤΟΥΡΓΙΑ**

Για να αποφευχθεί η μη εξουσιοδοτημένη χρήση της συσκευής, η πηγή ηλεκτρικού ρεύματος πρέπει να είναι απενεργοποιημένη ή κλειδωμένη. Μπορείτε, για παράδειγμα, να αφαιρέσετε το κλειδί από το διακόπτη τροφοδοσίας.

Πάρτε όλες τις απαραίτητες προφυλάξεις για να μην πιαστούν μαλλιά, κοσμήματα και χαλαρά ενδύματα από κινούμενα μέρη του μηχανήματος.

Πριν χρησιμοποιήσετε το μηχάνημα, κλείστε όλες τις πόρτες ή / και καπάκια.

Η θερμοκρασία λειτουργίας του μηχανήματος πρέπει να κυμαίνεται μεταξύ 0 ° C και 40 ° C.

Η υγρασία θα πρέπει να βρίσκεται μεταξύ 30% και 95%.

Μη χρησιμοποιείτε το μηχάνημα ως μεταφορικό μέσο.

Σε περίπτωση πυρκαγιάς, χρησιμοποιήστε πυροσβεστήρα ξηρής σκόνης και όχι νερού.

Μην παίζετε με τα διάφορα προστατευτικά του μηχανήματος. Να ακολουθείτε σχολαστικά τις οδηγίες συντήρησης.

Μην αφήνετε μικροαντικείμενα να εισέρχονται στα ανοίγματα. Μη χρησιμοποιείτε το μηχάνημα εάν έχουν φράξει τα ανοίγματα. Να καθαρίζετε πάντοτε τρίχες, σκόνη, και οποιοδήποτε άλλο ξένο υλικό από τα ανοίγματα, γιατί μπορεί να μειώσουν τη ροή αέρα.

Μην αφαιρείτε και μην τροποποιείτε τις πλάκες που είναι τοποθετημένες πάνω στο μηχάνημα.

Εάν το μηχάνημα χρησιμοποιείται σύμφωνα με τις οδηγίες, οι κραδασμοί δε φέρουν κίνδυνο. Το επίπεδο κραδασμών του μηχανήματος είναι μικρότερο από  $2,5 \text{ m/s}^2$  (98/37/EEC-EN 1033/1995).

Το επίπεδο κραδασμών του μοχλού / βραχίονα είναι κατά πολύ χαμηλότερο από  $2,5 \text{ m/s}^2$  (που μετράται σύμφωνα με το πρότυπο ISO 5349), το οποίο είναι και το όριο για 8 ώρες συνεχούς εργασίας.

Αυτό το μηχάνημα δεν πρέπει να χρησιμοποιείται έξω στο δρόμο.

Τα μηχανήματα Viper μπορούν να χρησιμοποιηθούν σε συνδυασμό με κανονικά απορρυπαντικά τα οποία δεν μπορούν να βλάψουν τα υλικά των μηχανημάτων Viper (να μη χρησιμοποιούνται διαλυτικά ή άλλα διαβρωτικά υγρά). Η Viper δε θα πληρώσει για τυχόν αξιώσεις σχετικά με τη χρήση διαβρωτικών απορρυπαντικών σε μηχανήματα Viper. Εάν χρειάζεστε ειδικό απορρυπαντικό, επικοινωνήστε με τον αντιπρόσωπο της Viper.

Προσοχή κατά τη μεταφορά του μηχανήματος, όταν η θερμοκρασία είναι κάτω από το σημείο ψύξης. Μπορεί να παγώσει το νερό στη δεξαμενή ή στους σωλήνες και να προκαλέσει σοβαρή ζημιά στο μηχάνημα.

## ΣΥΝΤΗΡΗΣΗ

Για να εξασφαλίσετε σωστή και ασφαλή λειτουργία του μηχανήματος, πρέπει να πραγματοποιείται η προγραμματισμένη συντήρηση όπως αναφέρεται στο σχετικό κεφάλαιο του παρόντος εγχειριδίου, από εξουσιοδοτημένο προσωπικό ή από το Κέντρο εξυπηρέτησης πελατών της Viper.

Διαβάστε προσεκτικά όλο το εγχειρίδιο πριν εκτελέσετε οποιαδήποτε εργασία συντήρησης / επισκευή.

Μην εργάζεστε κάτω από το μηχάνημα εάν δεν το έχετε στηρίξει με τα πόδια ασφαλείας.

Μην πλένετε το μηχάνημα ρίχνοντας από πάνω νερό, με νερό υπό πίεση ή με διαβρωτικές ουσίες.

## ΕΓΓΥΗΣΗ


Όσον αφορά την εγγύηση ισχύουν οι γενικοί όροι συναλλαγών της εταιρίας μας.

Μη εξουσιοδοτημένες τροποποιήσεις στη συσκευή, η χρήση λάθος βούρτσας και απορρυπαντικών καθώς και η χρήση της συσκευής με τρόπο διαφορετικό από το σκοπό για τον οποίο έχει κατασκευαστεί απαλλάσσουν τον κατασκευαστή από κάθε ευθύνη για τυχόν ζημιές.


## ΔΟΚΙΜΕΣ ΚΑΙ ΕΓΚΡΙΣΕΙΣ

Ηλεκτρικές δοκιμές πρέπει να διεξάγονται σύμφωνα με τις διατάξεις των κανονισμών ασφαλείας (BGV A3) και του πρότυπου DIN VDE 0701, Μέρος 1 και Μέρος 3. Σύμφωνα με το πρότυπο DIN VDE 0702 οι δοκιμές αυτές πρέπει να πραγματοποιούνται σε τακτά χρονικά διαστήματα και μετά από σέρβις ή επισκευή.


## ΗΛΕΚΤΡΙΚΑ ΕΞΑΡΤΗΜΑΤΑ

	<p><b>ΚΙΝΔΥΝΟΣ</b> Μπαταρίες. Κίνδυνος έκρηξης.</p> <ul style="list-style-type: none"> <li>➤ Η φόρτιση της μπαταρίας παράγει αέριο υδρογόνου, το οποίο είναι εξαιρετικά εκρηκτικό. Κρατήστε το συγκρότημα δεξαμενής ανοιχτό κατά τη διάρκεια φόρτισης της μπαταρίας και εκτελέστε αυτή τη διαδικασία σε καλά αεριζόμενους χώρους και μακριά από ακάλυπτες φλόγες.</li> <li>➤ Για να μειώσετε τον κίνδυνο πυρκαγιάς, ηλεκτροπληξίας ή τραυματισμού, μην αφήνετε το μηχάνημα χωρίς επίβλεψη όταν είναι συνδεδεμένο με το ρεύμα. Πριν προβείτε σε οποιαδήποτε διαδικασία συντήρησης, αποσυνδέστε το καλώδιο του φορτιστή μπαταρίας από την πρίζα.</li> </ul>
---	---


	<ul style="list-style-type: none"> <li>➤ Μην καπνίζετε κατά τη διάρκεια φόρτισης των μπαταριών.</li> <li>➤ Η χρήση μη γνήσιων ανταλλακτικών, αξεσουάρ, μπαταριών και φορτιστών μπορεί να επηρεάσει αρνητικά την ασφάλεια της συσκευής. Χρησιμοποιείτε μόνο γνήσια ανταλλακτικά και αξεσουάρ από την εταιρεία Viper και χρησιμοποιήστε τις μπαταρίες και τους φορτιστές που προτείνει η VIPER. Όταν χρησιμοποιούνται μπαταρίες και φορτιστές που δεν έχουν πιστοποιηθεί και δεν τις προτείνουμε, η VIPER δεν καλύπτει το κόστος των ζημιών (εγγύηση) που προκαλούν.</li> </ul>
--	---

	<p><b>ΠΡΟΣΟΧΗ</b></p> <p>Φορτιστής μπαταρίας.</p> <p>Υπάρχει κίνδυνος ηλεκτροπληξίας όταν το δίκτυο που συνδέεται με το καλώδιο σύνδεσης ή το καλώδιο του φορτιστή είναι ελαττωματικό.</p> <p>Επαφή με ελαττωματικό καλώδιο σύνδεσης δικτύου ή ελαττωματικό καλώδιο φορτιστή μπορεί να οδηγήσει σε σοβαρό, ακόμα και θανάσιμο τραυματισμό.</p> <ul style="list-style-type: none"> <li>➤ Κρατήστε την μπαταρία μακριά από σπινθήρες, φλόγες και πυρακτωμένο υλικό. Κατά τη διάρκεια κανονικής λειτουργίας απελευθερώνονται εκρηκτικά αέρια.</li> <li>➤ Πριν χρησιμοποιήσετε το φορτιστή μπαταριών, βεβαιωθείτε ότι οι τιμές συχνότητας και τάσης, που αναφέρονται στην πλάκα σειριακού αριθμού του μηχανήματος, ταιριάζουν με την τάση της δικής σας παροχής ρεύματος.</li> <li>➤ Μην καταστρέφετε το καλώδιο τροφοδοσίας ρεύματος (π.χ. περνώντας το αυτοκίνητο από πάνω του, τραβώντας το ή συνθλίβοντάς το).</li> <li>➤ Να ελέγχετε τακτικά το καλώδιο τροφοδοσίας για σημάδια φθοράς ή παλαιώσης.</li> <li>➤ Ζητήστε από τον αντιπρόσωπο σέρβις της Viper ή εξουσιοδοτημένο ηλεκτρολόγο να αντικαταστήσει το ελαττωματικό καλώδιο σύνδεσης δικτύου πριν χρησιμοποιήσετε τη συσκευή ξανά.</li> <li>➤ Μην τραβάτε και μη μεταφέρετε το μηχανήμα από το καλώδιο του φορτιστή της μπαταρίας και ποτέ να μην χρησιμοποιείτε το καλώδιο του φορτιστή μπαταρίας ως λαβή. Μην πιάνετε το καλώδιο του φορτιστή μπαταρίας με την πόρτα, και μην τραβάτε το καλώδιο του φορτιστή μπαταρίας γύρω από αιχμηρές άκρες ή γωνίες.</li> <li>➤ Κρατήστε το καλώδιο του φορτιστή μπαταρίας μακριά από θερμαινόμενες επιφάνειες.</li> <li>➤ Μη φορτίζετε τις μπαταρίες εάν έχει υποστεί ζημιά το καλώδιο του φορτιστή της μπαταρίας ή το βύσμα. Εάν το μηχανήμα δε λειτουργεί όπως θα έπρεπε, έχει υποστεί ζημιά, έχει αφεθεί σε εξωτερικό χώρο ή έχει πέσει στο νερό, επιστρέψτε το στο Κέντρο εξυπηρέτησης πελατών.</li> </ul>
---	---

## ΣΚΑΛΕΣ ΚΑΙ ΕΠΙΦΑΝΕΙΕΣ ΜΕ ΚΛΙΣΗ

	<p><b>ΠΡΟΣΟΧΗ</b></p> <p>Κίνδυνος ανατροπής και ολίσθησης σε σκάλες και επιφάνειες με κλίση.</p> <p>Όταν περνάτε από σκάλες και επιφάνειες με κλίση, υπάρχει κίνδυνος σωματικής βλάβης και υλικών ζημιών.</p> <ul style="list-style-type: none"> <li>➤ Μην περνάτε από σκαλοπάτια.</li> <li>➤ Να χρησιμοποιείτε τη συσκευή μόνο σε επίπεδες επιφάνειες με μέγιστη κλίση 2%.</li> </ul>
---	--

## ΕΠΕΝΔΥΣΕΙΣ ΔΑΠΕΔΩΝ

	<p><b>ΠΡΟΣΟΧΗ</b></p> <p>Βλάβη σε ευαίσθητες επενδύσεις δαπέδων.</p> <p>Ιδιαίτερα ευαίσθητα δάπεδα μπορεί να καταστραφούν με τον καθαρισμό.</p> <ul style="list-style-type: none"> <li>➤ Πριν από τη χρήση της συσκευής καθαρισμού, ελέγξτε εάν η επένδυση δαπέδου που υπάρχει είναι κατάλληλη γι' αυτήν την τεχνική καθαρισμού.</li> <li>➤ Προσοχή στη συμπίεση σε ορισμένες περιοχές σε αντικραδασμικά ελαστικά δάπεδα, π.χ. σε γυμναστήρια.</li> </ul>
---	---

- Να χρησιμοποιείτε μόνο απορρυπαντικά που έχουν εγκριθεί από την εταιρεία Viper.

### ΥΛΙΚΑ ΕΠΙΚΙΝΔΥΝΑ ΓΙΑ ΤΗΝ ΥΓΕΙΑ



#### ΠΡΟΕΙΔΟΠΟΙΗΣΗ

Υλικά επικίνδυνα για την υγεία, σε επενδύσεις δαπέδων.

Οι επενδύσεις δαπέδων μπορεί να περιέχουν υλικά επικίνδυνα για την υγεία, τα οποία ρευστοποιούνται κατά τη διάρκεια του καθαρισμού.

- Μην καθαρίζετε επενδύσεις δαπέδων από τις οποίες μπορεί να ρευστοποιηθεί κάποια σκόνη ή υγρό που είναι επικίνδυνα για την υγεία.

### ΚΙΝΔΥΝΟΣ ΕΚΡΗΞΗΣ



#### ΠΡΟΕΙΔΟΠΟΙΗΣΗ

Εύφλεκτα και εκρηκτικά υλικά.

Κίνδυνος έκρηξης μέσα σε εκρηκτικό περιβάλλον ή σε περιοχές όπου αποθηκεύονται εύφλεκτα και εκρηκτικά υλικά.

- Μην χρησιμοποιείτε το μηχάνημα κοντά σε επικίνδυνες, εύφλεκτες ή / και εκρηκτικές σκόνες, υγρά ή ατμούς.

### ΑΝΤΑΛΛΑΚΤΙΚΑ ΚΑΙ ΕΞΑΡΤΗΜΑΤΑ



#### ΠΡΟΕΙΔΟΠΟΙΗΣΗ

Μη γνήσια εξαρτήματα και ακατάλληλα απορρυπαντικά.

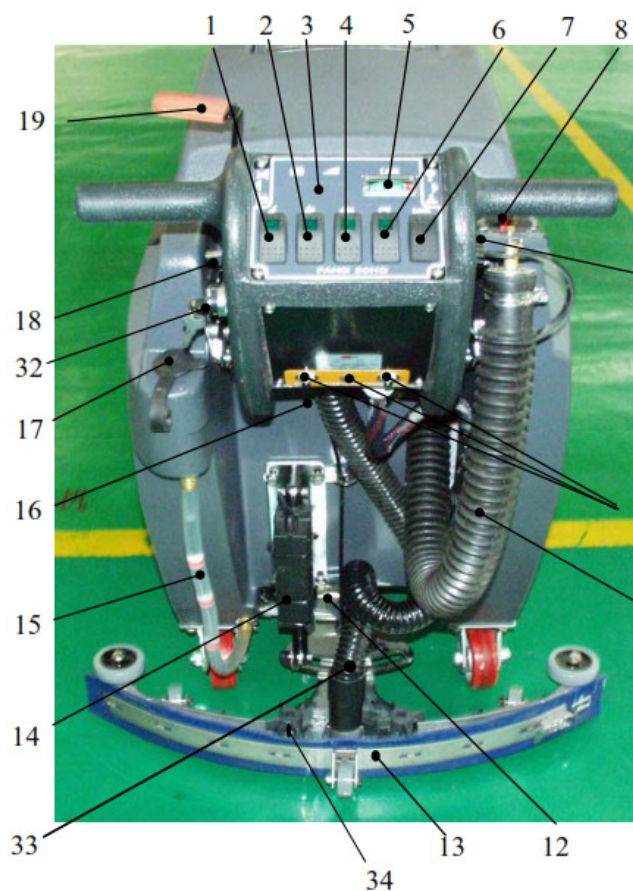
Η χρήση μη γνήσιων ανταλλακτικών και ακατάλληλων απορρυπαντικών αποτελούν κίνδυνο κατά της ασφάλειας της συσκευής και μπορεί να δημιουργήσουν βλάβη.

- Χρησιμοποιείτε μόνο ανταλλακτικά και εξαρτήματα από την Viper.
- Χρησιμοποιείτε μόνο τα εξαρτήματα και τα απορρυπαντικά που συνοδεύουν τη συσκευή, ή προϊόντα που καθορίζονται στις οδηγίες λειτουργίας.



## ΠΕΡΙΓΡΑΦΗ ΤΟΥ ΜΗΧΑΝΗΜΑΤΟΣ

## ΔΟΜΗ ΤΟΥ ΜΗΧΑΝΗΜΑΤΟΣ



1. Κύριος διακόπτης λειτουργίας ON/OFF (ΑΝΟΙΧΤΟ/ΚΛΕΙΣΤΟ)
2. Διακόπτης απορροφητικού μηχανισμού ON/OFF
3. Μετρητής επιπέδου μπαταρίας
4. Διακόπτης βούρτσας ON/OFF
5. Μετρητής πίεσης βούρτσας
6. Διακόπτης καθαριστικού διαλύματος ON/OFF
7. Διακόπτης πίεσης βούρτσας UP/DOWN (πάνω/κάτω)
8. Κουμπί ελέγχου διαλύματος
9. Κουμπί ελέγχου ταχύτητας
10. Διακόπτες κυκλώματος
11. Σωλήνας αποστράγγισης της δεξαμενής ανάκτησης
12. Παξιμάδι ρύθμισης και άξονας μάκτρο
13. Μηχανισμός μάκτρο
14. Ενεργοποιητής κεφαλής τριψίματος
15. Σωλήνας θέασης στάθμης της δεξαμενής διαλύματος

16. Μοχλοί ρύθμισης της κονσόλας
17. Πίσω γέμισμα διαλύματος
18. Διακόπτης αντίστροφης λειτουργίας
19. Μοχλός ανασήκωσης μάκτρο
20. Περιβλήμα χειριστηρίου
21. Πυροδότηση λειτουργίας
22. Δεξαμενή καθαριστικού διαλύματος
23. Πίσω ροδάκια
24. Τροχοί μεταφοράς
25. Κεφαλή τριψίματος
26. Περιβλήμα κεφαλής τριψίματος
27. Σύρτης περιβλήματος κεφαλής τριψίματος
28. Προστατευτικά ροδάκια
29. Μπροστινό γέμισμα καθαριστικού διαλύματος
30. Δεξαμενή ανάκτησης
31. Κάλυμα δεξαμενής ανάκτησης
32. Κλειδί διακόπτη
33. Σωλήνας απορρόφησης για το μάκτρο
34. Χειροτροχός τοποθέτησης μάκτρο  
Χειροτροχός τοποθέτησης μάκτρο



**ΕΞΑΡΤΗΜΑΤΑ / ΕΠΙΛΟΓΕΣ**

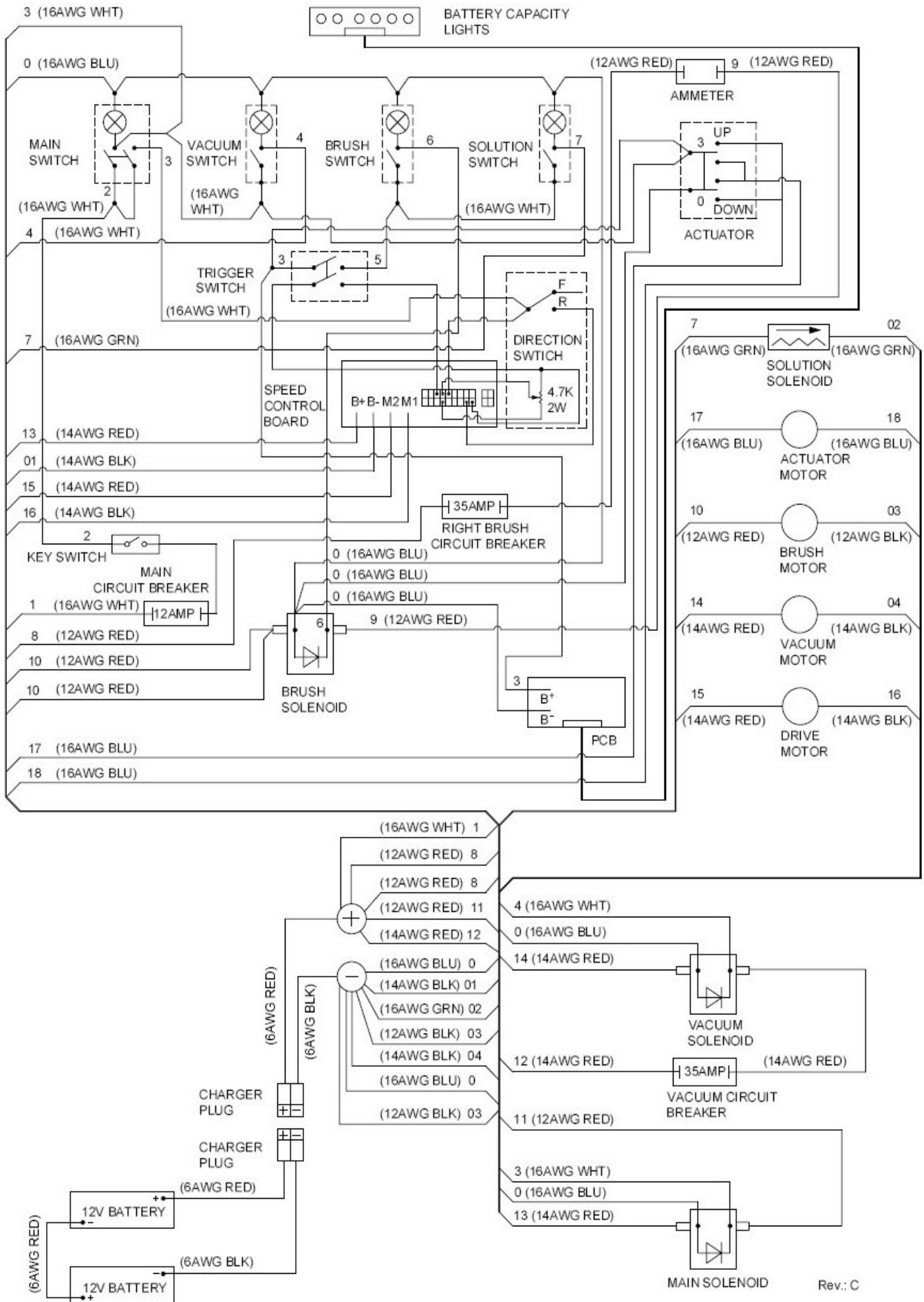
Εκτός από τα συνήθη αντικείμενα, το μηχάνημα μπορεί να φέρει και τα ακόλουθα εξαρτήματα / επιλογές, σύμφωνα με την συγκεκριμένη χρήση του μηχανήματος:

- Βούρτσα
- Οδηγό βάσης

Για περισσότερες πληροφορίες σχετικά με τα προαιρετικά εξαρτήματα, επικοινωνήστε με έναν εξουσιοδοτημένο αντιπρόσωπο.

**ΤΕΧΝΙΚΑ ΣΤΟΙΧΕΙΑ**

Μοντέλο		<b>FANG 20HD-EU</b> (Με 1 βούρτσα / βάση, και οδηγό)
Ύψος μηχανήματος	mm	990
Χωρητικότητα της δεξαμενής καθαριστικού	l	61
Χωρητικότητα νερού της δεξαμενής	l	61
Διάμετρος μπροστινού τροχού	mm	76
Διάμετρος πίσω τροχού	mm	200
Ισχύς κινητήρα του συστήματος	W	400
Ισχύς κινητήρα του συστήματος κίνησης	W	250
Ταχύτητα κίνησης (ποικίλλει)	km/h	0 – 4.5
Ικανότητα λειτουργίας σε κλίση	%	2
Επίπεδο έντασης του ήχου στο χώρο	dB(A)	69
Συνήθειες μπαταρίες	Ah @ 20 h	2 x 12V/215AmP.hR
Χωρητικότητα του συστήματος	mm H <sub>2</sub> O	1.397
Πλάτος καθαρισμού	mm	510
Πλάτος μάκτρον	mm	750
Ανώτατο μήκος του μηχανήματος	mm	1.350
Πλάτος του μηχανήματος χωρίς το μάκτρο	mm	560
Διάμετρος της βούρτσας	mm	510
Βάρος χωρίς τις μπαταρίες και με άδειες τις δεξαμενές	kg	107
Ανώτατο βάρος μαζί με τις μπαταρίες και γεμάτες τις δεξαμενές	kg	181
Ισχύς κινητήρα της βούρτσας	W	560
Ταχύτητα της βούρτσας	rpm	200
Πίεση του στηρίγματος βούρτσας / βάσης	kg	UP TO91



Rev.: C

## ΣΧΕΔΙΑΓΡΑΜΜΑ ΣΥΝΔΕΣΜΟΛΟΓΙΑΣ (FANG20HD-EU)

ΣΧΕΔΙΑΓΡΑΜΜΑ ΣΥΝΔΕΣΜΟΛΟΓΙΑΣ (FANG20HD-EU)


Κωδικοί χρωμάτων

BLK	Μαύρο
BLU	Μπλε
GRU	Πράσινο
RED	Κόκκινο
WHT	Λευκό

1	BATTERY CAPACITY LIGHTS	ΦΩΤΕΙΝΗ ΛΥΧΝΙΑ «ΧΩΡΗΤΙΚΟΤΗΤΑΣ ΜΠΑΤΑΡΙΑΣ»
2	MAIN SWITCH	ΚΥΡΙΟΣ ΔΙΑΚΟΠΤΗΣ
3	VACUUM SWITCH	ΔΙΑΚΟΠΤΗΣ ΑΠΟΡΡΟΦΗΣΗΣ
4	BRUSH SWITCH	ΔΙΑΚΟΠΤΗΣ ΒΟΥΡΤΣΑΣ
5	SOLUTION SWITCH	ΔΙΑΚΟΠΤΗΣ ΚΑΘΑΡΙΣΤΙΚΟΥ ΔΙΑΛΥΜΑΤΟΣ
6	AMMETER	ΑΜΠΕΡΟΜΕΤΡΟ
7	ACTUATOR	ΕΝΕΡΓΟΠΟΙΗΤΗΣ
8	TRIGGER SWITCH	ΔΙΑΚΟΠΤΗΣ ΠΥΡΟΔΟΤΗΣΗΣ
9	SPEED CONTROL BOARD	ΠΙΝΑΚΑΣ ΕΛΕΓΧΟΥ ΤΑΧΥΤΗΤΑΣ
10	DIRECTION SWITCH	ΔΙΑΚΟΠΤΗΣ ΚΑΤΕΥΘΥΝΣΗΣ
11	RIGHT BRUSH CIRCUIT BREAKER	ΔΙΑΚΟΠΤΗΣ ΚΥΚΛΩΜΑΤΟΣ ΔΕΞΙΑΣ ΒΟΥΡΤΣΑΣ
12	KEY SWITCH	ΚΛΕΙΔΙ ΔΙΑΚΟΠΤΗ
13	MAIN CIRCUIT BREAKER	ΚΥΡΙΟΣ ΔΙΑΚΟΠΤΗΣ ΚΥΚΛΩΜΑΤΟΣ
14	BRUSH SOLENOID	ΠΗΝΙΟ ΒΟΥΡΤΣΑΣ
15	PCB	ΠΟΛΥΧΛΩΡΙΩΜΕΝΑ ΔΙΦΑΙΝΥΛΙΑ
16	SOLUTION SOLENOID	ΠΗΝΙΟ ΚΑΘΑΡΙΣΤΙΚΟΥ ΔΙΑΛΥΜΑΤΟΣ
17	ACTUATOR MOTOR	ΚΙΝΗΤΗΡΑΣ ΕΝΕΡΓΟΠΟΙΗΤΗ
18	BRUSH MOTOR	ΚΙΝΗΤΗΡΑΣ ΒΟΥΡΤΣΑΣ
19	VACUUM MOTOR	ΚΙΝΗΤΗΡΑΣ ΑΠΟΡΡΟΦΗΤΙΚΟΥ ΜΗΧΑΝΙΣΜΟΥ
20	DRIVE MOTOR	ΚΙΝΗΤΗΡΑΣ ΟΔΗΓΗΣΗΣ
21	VACUUM SOLENOID	ΠΗΝΙΟ ΑΠΟΡΡΟΦΗΤΙΚΟΥ ΜΗΧΑΝΙΣΜΟΥ
22	VACUUM CIRCUIT BREAKER	ΔΙΑΚΟΠΤΗΣ ΚΥΚΛΩΜΑΤΟΣ ΑΠΟΡΡΟΦΗΤΙΚΟΥ
23	MAIN SOLENIOD	ΚΥΡΙΟ ΠΗΝΙΟ
24	CHARGER PLUG	ΒΥΣΜΑ ΤΟΥ ΦΟΡΤΙΣΤΗ
25	BATTERY	ΜΠΑΤΑΡΙΑ


## ΛΕΙΤΟΥΡΓΙΑ

## ΠΡΙΝ ΞΕΚΙΝΗΣΕΤΕ ΤΗ ΛΕΙΤΟΥΡΓΙΑ ΤΟΥ ΜΗΧΑΝΗΜΑΤΟΣ

	<p><b>ΠΡΟΕΙΔΟΠΟΙΗΣΗ!</b></p> <p>Σε μερικά σημεία του μηχανήματος υπάρχουν ορισμένες αυτοκόλλητες πινακίδες με τα εξής:</p> <p>ΚΙΝΔΥΝΟΣ ΠΡΟΕΙΔΟΠΟΙΗΣΗ ΠΡΟΣΟΧΗ ΣΥΜΒΟΥΛΗ</p>
---	---

Ο χειριστής του μηχανήματος, όταν διαβάζει αυτό το εγχειρίδιο, πρέπει να δώσει ιδιαίτερη προσοχή στα σύμβολα που εμφανίζονται στις πλάκες. Μην καλύπτετε τις πλάκες αυτές για κανένα λόγο και να τις αντικαθιστάτε αμέσως σε περίπτωση βλάβης

## ΕΓΚΑΤΑΣΤΑΣΗ ΜΠΑΤΑΡΙΑΣ

	<p><b>ΠΡΟΕΙΔΟΠΟΙΗΣΗ!</b></p> <p>Τα ηλεκτρικά εξαρτήματα του μηχανήματος μπορεί να υποστούν σοβαρή ζημιά εάν οι μπαταρίες δεν έχουν εγκατασταθεί ή συνδεθεί σωστά. Οι μπαταρίες πρέπει να εγκατασταθούν από εξειδικευμένο προσωπικό.</p> <ul style="list-style-type: none"> <li>➤ Ρυθμίστε τον ηλεκτρονικό πίνακα λειτουργίας και το φορτιστή της μπαταρίας (προαιρετικά) ανάλογα με τον τύπο των μπαταριών που χρησιμοποιούνται (WET ή GEL).</li> <li>➤ Ελέγξτε τις μπαταρίες για τυχόν ζημιές, πριν από την εγκατάσταση.</li> <li>➤ Αποσυνδέστε το βύσμα της μπαταρίας και το βύσμα του φορτιστή της μπαταρίας.</li> <li>➤ Χειριστείτε τις μπαταρίες με μεγάλη προσοχή.</li> <li>➤ Τοποθετήστε τα καπάκια προστασίας του τερματικού μπαταρίας που συνοδεύουν το μηχάνημα.</li> </ul>
---	---

Το μηχάνημα χρειάζεται δύο μπαταρίες 12 V, που θα συνδεθούν σύμφωνα με το παρακάτω διάγραμμα:



Δεν υπάρχουν μπαταρίες στο μηχάνημα από το εργοστάσιο, αλλά οι πελάτες μπορούν να αγοράσουν μπαταρίες (WET ή GEL).

- Αγοράστε κατάλληλες μπαταρίες (βλ. παράγραφο «Τεχνικά στοιχεία»).
- Για την επιλογή και την εγκατάσταση της μπαταρίας, επικοινωνήστε με εξειδικευμένους εμπόρους μπαταριών.
- Ρυθμίστε το μηχάνημα και το φορτιστή της μπαταρίας σύμφωνα με τον τύπο μπαταριών που έχετε εγκαταστήσει (WET ή GEL), όπως φαίνεται στην παρακάτω παράγραφο.

- α) Όταν οι μπαταρίες (WET ή GEL) είναι έτοιμες για εγκατάσταση και χρήση
- Ελέγξτε εάν οι μπαταρίες είναι συνδεδεμένες στο μηχάνημα με το βύσμα του φορτιστή.

- Τοποθετήστε το κλειδί ανάφλεξης (32) και γυρίστε το στη θέση «On (Ανοικτό)». Εάν η πράσινη ενδεικτική λυχνία (3) ενεργοποιηθεί, οι μπαταρίες είναι έτοιμες για χρήση. Εάν ανάψει το κίτρινο ή το κόκκινο προειδοποιητικό φως (3), οι μπαταρίες πρέπει να φορτιστούν (βλ. διαδικασία στο κεφάλαιο Συντήρηση).
- β) Όταν εγκατασταθούν οι μπαταρίες (WET) στο μηχάνημα, αλλά χωρίς ηλεκτρολύτη
  - Ανοίξτε το κάλυμμα (31) και ελέγξτε εάν η δεξαμενή ανάκτησης νερού (30) είναι άδεια. Εάν όχι, αδειάστε την με το σωλήνα αποστράγγισης (11).
  - Ανασηκώστε προσεκτικά το δοχείο (30).

**ΠΡΟΕΙΔΟΠΟΙΗΣΗ!**

Προσοχή όταν χρησιμοποιείται θειικό οξύ, γιατί είναι διαβρωτικό. Εάν έρθει σε επαφή με το δέρμα ή τα μάτια, ξεπλύνετε με άφθονο νερό και συμβουλευτείτε το γιατρό.

Η συμπλήρωση μπαταριών πρέπει να γίνεται σε καλά αεριζόμενο χώρο. Να φοράτε προστατευτικά γάντια

- Γεμίστε τις μπαταρίες με θειικό οξύ για μπαταρίες (πυκνότητα 1,27 – 1,29 kg στους 25° C) σύμφωνα με τις οδηγίες που εμφανίζονται στο Εγχειρίδιο της μπαταρίας. Η σωστή ποσότητα θειικού οξέος αναφέρεται στο Εγχειρίδιο της μπαταρίας.
- Για να αποφύγετε την πρόκληση ζημιάς στο πάτωμα, μ' ένα πανί στεγνώστε το οξύ και το νερό από το πάνω μέρος των μπαταριών μετά το γέμισμα.
- Αφήστε τις μπαταρίες να «ξεκουραστούν» και συμπληρώστε με θειικό οξύ σύμφωνα με τις οδηγίες που εμφανίζονται στο Εγχειρίδιο της μπαταρίας.
- Φορτίστε τις μπαταρίες (βλ. διαδικασία στο κεφάλαιο Συντήρηση).

**ΡΥΘΜΙΣΗ ΤΟΥ ΦΟΡΤΙΣΤΗ ΜΠΑΤΑΡΙΑΣ**

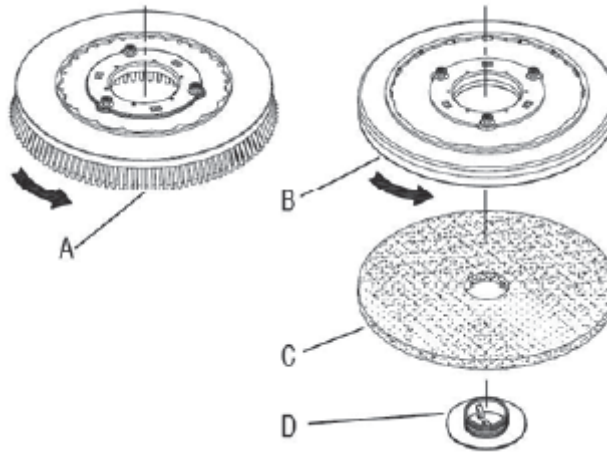
- Η προεπιλεγμένη ρύθμιση του φορτιστή είναι στην ίδια θέση για τις μπαταρίες AGM, Gel, SLA, VRLA από το εργοστάσιο.
- Εάν χρειαστεί χρησιμοποιήστε τη θέση WET μόνο για μπαταρίες μολύβδου. Παρακαλούμε επικοινωνήστε με τον πωλητή.

**ΕΛΕΓΧΟΙ ΠΡΙΝ ΑΠΟ ΤΗ ΛΕΙΤΟΥΡΓΙΑ**

- Καθαρίστε το εξωτερικό του μηχανήματος.
- Βεβαιωθείτε ότι η τάση του μηχανήματος είναι η ίδια με την τάση του δικτύου.
- Βεβαιωθείτε ότι το μάκτρο έχει εγκατασταθεί σωστά.
- Βεβαιωθείτε ότι η βούρτσα / βάση έχει εγκατασταθεί σωστά.

**ΕΓΚΑΤΑΣΤΑΣΗ ΤΟΥ ΟΔΗΓΟΥ ΒΑΣΗΣ Ή ΤΗΣ ΒΟΥΡΤΣΑΣ**

- Βεβαιωθείτε ότι το μηχάνημα είναι απενεργοποιημένο.
- Χαμηλώστε το μηχανισμό της κεφαλής της βούρτσας στο δάπεδο, πατώντας το πεντάλ ποδιού και πιέζοντας το πεντάλ προς τα εμπρός.
- Γείρετε το μηχάνημα προς τα πίσω για να αποκτήσετε πρόσβαση στον κινητήρα.

**ΣΗΜΕΙΩΣΗ**

Αφαιρέστε το μηχανισμό του μάκτρου πριν γείρετε το μηχάνημα προς τα πίσω. Μ' αυτό τον τρόπο η διαδικασία είναι γρηγορότερη και ευκολότερη.

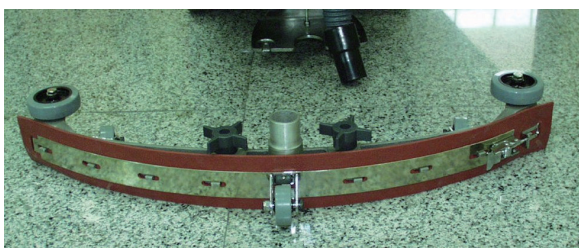
**ΠΡΟΕΙΔΟΠΟΙΗΣΗ!**

Μην αφήνετε το μηχάνημα γεμμένο προς τα πίσω για μεγάλο χρονικό διάστημα. Αυτό μπορεί να προκαλέσει διαρροή των υγρών μπαταρίας.

- Εάν χρησιμοποιείτε οδηγό για τη βάση, συνδέστε πρώτα την κατάλληλη βάση στην επιφάνεια του οδηγού βάσης.
- Τοποθετήστε τον οδηγό βάσης ή τη βούρτσα στον κινητήρα ευθυγραμμίζοντας τις τρεις προεξοχές με τις τρεις οπές στον κινητήρα. Μόλις οι προεξοχές μπουν στις οπές, περιστρέψτε τον οδηγό προς το ελατηριωτό άγκριστρο για να κλειδώσει στη θέση του οδηγού.

**ΤΟΠΟΘΕΤΗΣΗ ΤΟΥ ΜΑΚΤΡΟΥ**

- Τραβήξτε προς τα πίσω το μοχλό ανύψωσης του μάκτρου για να ανυψώσετε το βραχίονα του μάκτρου.
- Ξεβιδώστε τα δύο κουμπιά πάνω στο μάκτρο και σύρετε το μάκτρο μέσα στις υποδοχές, στο πίσω μέρος του βραχίονα (οι τροχοί πάνω στο ελαστικό μάκτρο έχουν κατεύθυνση προς το πίσω μέρος).
- Σφίξτε τα κουμπιά καλά.

**ΓΕΜΙΣΜΑ ΤΗΣ ΔΕΞΑΜΕΝΗΣ ΚΑΘΑΡΙΣΤΙΚΟΥ ΔΙΑΛΥΜΑΤΟΣ**

Το μηχάνημα Fang 20HD-EU μπορείτε να το γεμίσετε από δύο διαφορετικές τοποθεσίες:

- α. Από την μπροστινή περιοχή γεμίσματος, με λάστιχο ή κουβά.
  - β. Από την πίσω περιοχή γεμίσματος, μόνο με λάστιχο.
- Αποφασίστε ποια θέση γεμίσματος θα θέλατε να χρησιμοποιήσετε για να γεμίσετε το μηχάνημα με νερό.
  - Γεμίστε τη δεξαμενή απορρυπαντικού με 52 λίτρα νερού (η θερμοκρασία του νερού δεν πρέπει να υπερβαίνει τους 40° C). Ο διαφανής σωλήνας πίσω αριστερά του μηχανήματος έχει ένδειξη γαλονιών για να σας βοηθήσει να καθορίσετε το επίπεδο νερού στη δεξαμενή καθαριστικού διαλύματος.

**ΣΗΜΕΙΩΣΗ**

Εάν γεμίζετε τη δεξαμενή διαλύματος με κουβά, φροντίστε ο κουβάς να είναι καθαρός. Έτσι δε θα μπουν σκουπίδια να φράξουν τις γραμμές ή το πηνίο.



**ΠΡΟΕΙΔΟΠΟΙΗΣΗ!**

Μην τοποθετείτε εύφλεκτα υλικά στη δεξαμενή διαλύματος. Αυτό μπορεί να προκαλέσει έκρηξη ή πυρκαγιά. Χρησιμοποιείτε μόνο από τα προτεινόμενα χημικά καθαρισμού. Ελάτε σε επικοινωνία με διανομέα ειδών καθαρισμού για να σας συστήσει τις κατάλληλες χημικές ουσίες.

**ΕΚΚΙΝΗΣΗ ΚΑΙ ΔΙΑΚΟΠΗ ΤΟΥ ΜΗΧΑΝΗΜΑΤΟΣ****ΠΡΟΕΙΔΟΠΟΙΗΣΗ!**

Μην λειτουργείτε το μηχάνημα εάν δεν έχετε διαβάσει και κατανοήσει αυτό το εγχειρίδιο.

- Ρυθμίστε το περίβλημα του χειριστηρίου σε άνετο ύψος λειτουργίας πιέζοντας μαζί τους δύο μοχλούς αντίχειρα (16) απ' ευθείας κάτω από το περίβλημα.
- Χαμηλώστε το μηχανισμό του μάκτρου στο πάτωμα απελευθερώνοντας το μοχλό ανύψωσης (19) από την κλειδωμένη θέση.
- Χαμηλώστε το μηχανισμό κεφαλής της βούρτσας στο πάτωμα, γυρνώντας το διακόπτη πίεσης της βούρτσας (7) στη θέση «ΑΝΟΙΧΤΟ».
- Γυρίστε το διακόπτη τροφοδοσίας (1) στη θέση «ΑΝΟΙΧΤΟ».
- Γυρίστε το διακόπτη κινητήρα της βούρτσας (4) στη θέση «ΑΝΟΙΧΤΟ».
- Γυρίστε το διακόπτη κινητήρα του απορροφητικού μηχανισμού (2) στη θέση «ΑΝΟΙΧΤΟ».
- Γυρίστε το διακόπτη διαλύματος (6) στη θέση «ΑΝΟΙΧΤΟ».
  - α. Το διάλυμα θ' αρχίσει να κυλά μόνο όταν τραβήξετε τους διακόπτες πυροδότησης λειτουργίας.
- Το μηχάνημα Fang 20HD-EU είναι αυτοκινούμενο. Η ταχύτητα ελέγχεται από ένα κουμπί (9) που βρίσκεται στη δεξιά πλευρά του περιβλήματος χειριστηρίου.
- Το μηχάνημα Fang 20HD-EU έχει όπισθεν. Για να ενεργοποιήσετε την όπισθεν, υπάρχει ένας διακόπτης εναλλαγής (18) που βρίσκεται στην αριστερή πλευρά του περιβλήματος χειριστηρίου.
- Για να ξεκινήσετε το τρίψιμο, τραβήστε τον ένα ή και τους δύο μοχλούς πυροδότησης λειτουργίας (21). Όταν τραβήξετε αυτούς τους μοχλούς θα ξεκινήσει να περιστρέφεται η βούρτσα και να κυλά το καθαριστικό διάλυμα. Το μηχάνημα FANG20HD-EU κινείται μόνο του. FANG20HD-EU: Ξεκινήστε το τρίψιμο κινώντας το μηχάνημα προς τα εμπρός.

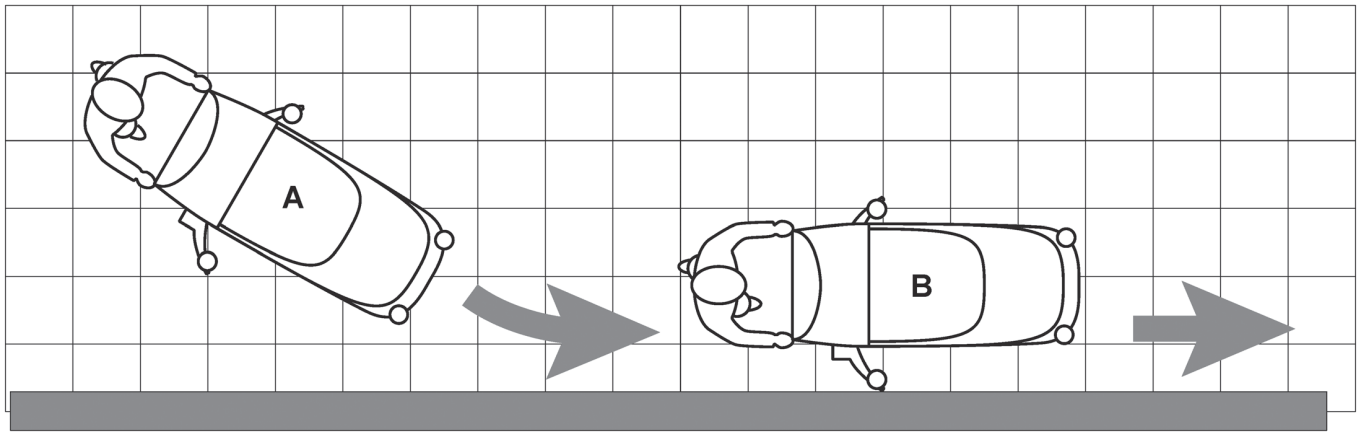
**ΠΡΟΕΙΔΟΠΟΙΗΣΗ!**

Μην κρατάτε τη συσκευή στην ίδια θέση με τη βάση / βούρτσα να περιστρέφονται, γιατί μπορεί να προκαλέσει ζημιά στο πάτωμα.

- Ρυθμίστε τη ροή διαλύματος γυρίζοντας το κουμπί ελέγχου του διαλύματος (8). Προς τα δεξιά για περισσότερο καθαριστικό διάλυμα, ή στα αριστερά για λιγότερο.

**ΣΗΜΕΙΩΣΗ**

Για σωστό τρίψιμο / στέγνωμα των δαπέδων στις πλευρές των τοίχων, η εταιρεία Viper προτείνει να πλησιάσετε στον τοίχο με τη δεξιά πλευρά του μηχανήματος όπως φαίνεται εδώ.

**ΠΡΟΣΟΧΗ!**

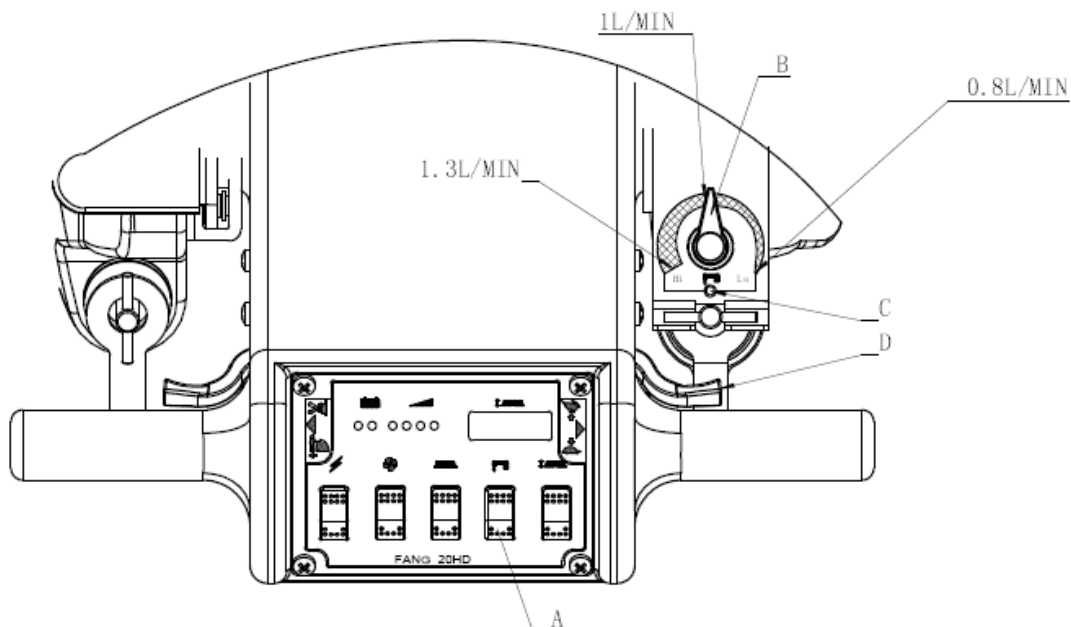
Για να αποφύγετε τυχόν ζημιά στην επιφάνεια του δαπέδου, απενεργοποιήστε τη βούρτσα / βάση όταν το μηχάνημα σταματά σ' ένα σημείο, ιδιαίτερα όταν είναι ενεργοποιημένη η λειτουργία πρόσθετης πίεσης.

**ΡΥΘΜΙΣΗ ΡΟΗΣ ΤΟΥ ΚΑΘΑΡΙΣΤΙΚΟΥ ΔΙΑΛΥΜΑΤΟΣ**

- Γυρίστε το διακόπτη διαλύματος (A) στη θέση «ΑΝΟΙΧΤΟ».
- Ρυθμίστε το ποσό ροής του καθαριστικού διαλύματος περιστρέφοντας το διακόπτη ελέγχου του διαλύματος (B), στ' αριστερά (αριστερόστροφα) για περισσότερο καθαριστικό διάλυμα, ή στα δεξιά (δεξιόστροφα) για λιγότερο διάλυμα. Ο πείρος (C) αποτελεί την οριακή θέση του κουμπιού ελέγχου διαλύματος (B).

**ΣΗΜΕΙΩΣΗ**

Ακόμη κι αν γυρίσετε το διακόπτη διαλύματος (A), το διάλυμα δε θα αρχίσει να ρέει μέχρι να τραβήξετε τους μοχλούς πυροδότησης λειτουργίας (D).

**ΕΚΚΕΝΩΣΗ ΤΗΣ ΜΠΑΤΑΡΙΑΣ ΚΑΤΑ ΤΗ ΛΕΙΤΟΥΡΓΙΑ**

Όσο παραμένει αναμμένο το πράσινο ενδεικτικό φως (3), οι μπαταρίες επιτρέπουν στο μηχάνημα να λειτουργεί κανονικά.

Όταν σβήσει η πράσινη ενδεικτική λυχνία (3), και ανάψει η κίτρινη ενδεικτική λυχνία (3), καλό θα ήταν να φορτίσετε τις μπαταρίες, επειδή η εναπομένουσα αυτονομία θα διαρκέσει για λίγα μόνο λεπτά (ανάλογα με τα χαρακτηριστικά της μπαταρίας και την εργασία που πρόκειται να εκτελεστεί).

Όταν ανάβει η κόκκινη προειδοποιητική λυχνία (3), η αυτονομία έχει τελειώσει. Μετά από λίγα δευτερόλεπτα, η βούρτσα / βάση σβήνουν αυτόματα, ενώ το σύστημα απορρόφησης και το σύστημα μετάδοσης της κίνησης παραμένει, για να ολοκληρώσετε το στέγνωμα του πατώματος και να οδηγήσετε το μηχάνημα στην περιοχή επαναφόρτισης.

**ΠΡΟΣΟΧΗ!**

Μην χρησιμοποιείτε το μηχάνημα με αποφορτισμένες μπαταρίες, για να μην πάθουν ζημιά οι μπαταρίες και μειωθεί ή διάρκεια ζωής τους.

**ΚΑΤΑ ΤΗ ΔΙΑΡΚΕΙΑ ΛΕΙΤΟΥΡΓΙΑΣ ΤΟΥ ΜΗΧΑΝΗΜΑΤΟΣ**

Κατά καιρούς κοιτάζετε μέσα από το διαφανές καπάκι της δεξαμενής ανάκτησης για να δείτε εάν υπάρχει συσσώρευση αφρού. Εάν υπάρχει υπερβολικός αφρός, προσθέστε αποαφριστικό στην δεξαμενή ανάκτησης.

**ΠΡΟΕΙΔΟΠΟΙΗΣΗ!**

Δεν πρέπει να περνά αφρός στο φίλτρο κλεισίματος του φλοτέρ, γιατί μπορεί να πάθει βλάβη ο κινητήρας μηχανισμού απορρόφησης. Ο αφρός δεν ενεργοποιεί τον μηχανισμό κλεισίματος του φλοτέρ.

- Κατά καιρούς κοιτάζετε τον διαφανή σωλήνα που βρίσκεται πίσω αριστερά στο μηχάνημα, για να ελέγξετε την ποσότητα του καθαριστικού διαλύματος που έχει απομείνει στο μηχάνημα.
- Κατά καιρούς ελέγχετε το μετρητή στάθμης της μπαταρίας (3). Όταν ο μετρητής είναι στο κόκκινο, επαναφορτίστε τις μπαταρίες.

**ΠΡΟΕΙΔΟΠΟΙΗΣΗ!**

Όταν ο μετρητής της μπαταρίας είναι στο κόκκινο, μην συνεχίζετε τη λειτουργία του μηχανήματος. Μπορεί να προκληθεί βλάβη της μπαταρίας.

- Εάν ο μηχανισμός του μάκτρον αφήνει ραβδώσεις στο πάτωμα, ανασηκώστε το μάκτρο από το πάτωμα και σκουπίστε τα περύγια με ένα υγρό πανί.

**ΠΡΟΕΙΔΟΠΟΙΗΣΗ!**

Μην χρησιμοποιείτε τα δάχτυλά σας για να σκουπίσετε τα περύγια ή για να αφαιρέσετε σκουπίδια, γιατί μπορεί να προκληθεί τραυματισμός.

- Όταν αδειάσει το καθαριστικό διάλυμα στη δεξαμενή, απενεργοποιήστε το διακόπτη της βούρτσας και το διακόπτη διαλύματος, και ανυψώστε την κεφαλή της βούρτσας. Κρατήστε το μάκτρο κάτω και συνεχίστε την απορρόφηση έως ότου απορροφηθεί όλο το βρόμικο νερό. (βλ. ενότητα ΑΠΟΣΤΡΑΓΓΙΣΗ ΔΕΞΑΜΕΝΗΣ για να μάθετε πώς να αποστραγγίζετε τις δεξαμενές ανάκτησης και καθαριστικού διαλύματος)

**ΣΗΜΕΙΩΣΗ**

Ο κινητήρας της βούρτσας έχει διακόπτη κυκλώματος για προστασία από ζημιά. Εάν πέσει, δεν μπορεί να επανέλθει αμέσως.

Θα πρέπει πρώτα να βρείτε τι προκάλεσε τη διακοπή του κυκλώματος, και να αφήσετε τον κινητήρα να κρυώσει για να μπορείτε να επαναφέρετε το διακόπτη.

**ΑΠΟΣΤΡΑΓΓΙΣΗ ΔΕΞΑΜΕΝΗΣ**

- Κλείστε το διακόπτη λειτουργίας του μηχανήματος
- Με το μάκτρο και την κεφαλή της βούρτσας σε θέση προς τα πάνω, μεταφέρετε το μηχάνημα στην περιοχή που έχει εγκριθεί για αποστράγγιση δεξαμενής (-ών).

**ΑΠΟΣΤΡΑΓΓΙΣΗ ΤΗΣ ΔΕΞΑΜΕΝΗΣ ΑΝΑΚΤΗΣΗΣ (ΜΕ ΤΟ ΒΡΟΜΙΚΟ ΝΕΡΟ)**

**ΣΗΜΕΙΩΣΗ**

Όποτε ολοκληρώνεται η διαδικασία καθαρίσματος, ή όταν γίνεται επαναπλήρωση της δεξαμενής καθαριστικού διαλύματος, θα πρέπει να αποστραγγίζετε και να καθαρίζετε τη δεξαμενή ανάκτησης.

**ΠΡΟΕΙΔΟΠΟΙΗΣΗ!**

Εάν δεν αποστραγγίζεται η δεξαμενή ανάκτησης όταν ξαναγεμίζεται η δεξαμενή διαλύματος, μπορεί να εισέλθει αφρός ή νερό στον μηχανισμό κλεισίματος του φλοτέρ και να προκαλέσουν βλάβη στον κινητήρα του απορροφητικού μηχανισμού.

- Αφαιρέστε το σωλήνα αποστράγγισης από το στήριγμά του, και τοποθετήστε τον πάνω από την αποχέτευση του δαπέδου. Ξεβιδώστε την τάπα του σωλήνα αποστράγγισης για να ξεκινήσει η διαδικασία αποστράγγισης. Για να αδειάσει εντελώς η δεξαμενή ανάκτησης, ανοίξτε την και αφήστε την ανοικτή, ακουμπισμένη στο στήριγμα.
- Καθαρίστε τη δεξαμενή ανάκτησης μετά από κάθε χρήση. Χρησιμοποιήστε λάστιχο με καθαρό νερό για να ξεπλύνετε το δοχείο ανάκτησης. Προσέξτε να μην ρίξετε νερό μέσα στο μηχανισμό κλεισίματος του φλοτέρ.

**ΣΗΜΕΙΩΣΗ**

Εάν σκοπεύετε να κρατήσετε το μηχάνημα σε αποθήκη για κάποιο χρονικό διάστημα, αφήνετε πάντα ανοικτό το διαφανές καπάκι της δεξαμενής ανάκτησης, για να μπορεί να στεγνώσει τελείως και να μυρίζει ωραία.

- Επανατοποθετήστε την τάπα στο σωλήνα αποστράγγισης σφικτά, μόλις τελειώσετε την αποστράγγιση της δεξαμενής.

**ΑΠΟΣΤΡΑΓΓΙΣΗ ΤΗΣ ΔΕΞΑΜΕΝΗΣ ΚΑΘΑΡΙΣΤΙΚΟΥ ΔΙΑΛΥΜΑΤΟΣ (ΤΗΣ ΚΑΘΑΡΗΣ ΔΕΞΑΜΕΝΗΣ)****ΣΗΜΕΙΩΣΗ**

Κάθε φορά που ολοκληρώνεται μία διαδικασία καθαρισμού, θα πρέπει να αποστραγγίζετε και να καθαρίζετε τη δεξαμενή διαλύματος.

- Τραβήξτε τον διαφανή σωλήνα (πίσω αριστερά του μηχανήματος) για να τον αφαιρέσετε από το γάντζο του σωλήνα. Έτσι, το καθαριστικό διάλυμα θα ρέει ελεύθερα σε κουβά ή στην αποχέτευση δαπέδου.
- Ξεπλύνετε τη δεξαμενή διαλύματος με καθαρό νερό μετά από κάθε χρήση. Έτσι θα αποφευχθεί η συσσώρευση χημικών ουσιών και η απόφραξη των σωλήνων του διαλύματος.
- Με καθαρό νερό στη δεξαμενή διαλύματος, ενεργοποιήστε το μηχάνημα, με το διακόπτη διαλύματος στο «ΑΝΟΙΧΤΟ» και τραβήξτε τους μοχλούς πυροδότησης λειτουργίας. Έτσι, το καθαρό νερό θα ξεπλύνει και θα καθαρίσει τους σωλήνες του καθαριστικού διαλύματος.
- Μόλις ξεπλυθεί, αδειάσει και αποστραγγιστεί η δεξαμενή, επανατοποθετήστε το διαφανή σωλήνα στο γάντζο. Φροντίστε να σπρώξετε το σωλήνα καλά για να πιαστεί στο γάντζο.

**ΦΟΡΤΙΣΗ ΜΠΑΤΑΡΙΑΣ****ΣΗΜΕΙΩΣΗ**

Για καλύτερη απόδοση του μηχανήματος, να έχετε φορτισμένες τις μπαταρίες ανά πάσα στιγμή. Μην τις αφήνετε αποφορτισμένες.

**ΣΗΜΕΙΩΣΗ**

Εάν το μηχάνημα έχει εγκατεστημένο προαιρετικό φορτιστή, δεν θα μπορεί να λειτουργήσει το μηχάνημα εάν δεν είναι τοποθετημένος ο φορτιστής. Σε περίπτωση δυσλειτουργίας του φορτιστή, επικοινωνήστε μ' ένα εξειδικευμένο κέντρο εξυπηρέτησης πελατών.

**ΠΡΟΣΟΧΗ!**

Να χρησιμοποιήσετε μόνο εγκεκριμένους φορτιστές με τις ακόλουθες προδιαγραφές:

- Κύκλωμα αυτόματου κλεισίματος
- Φόρτιση μεγάλου κύκλου

- Ρεύμα εξόδου 10-20 Amps
- Τάση εξόδου 24 Volts

**ΠΡΟΣΟΧΗ!**

Οι μπαταρίες είναι επικίνδυνες! Οι μπαταρίες εκπέμπουν αέριο υδρογόνου και μπορεί να προκληθεί έκρηξη ή πυρκαγιά. Πάντα να διατηρείτε τις μπαταρίες μακριά από σπithes και φωτιές. Όταν φορτίζετε το μηχάνημα, φροντίστε ο χώρος της μπαταρίας να παραμένει ανοιχτός.



- Τοποθετήστε το φορτιστή και το μηχάνημα σε καλά αεριζόμενο χώρο.
- Κλείστε τη μηχανή.
- Ανοίξτε τη δεξαμενή ανάκτησης, για να αποκαλυφθεί ο χώρος της μπαταρίας.
- Ελέγξτε το επίπεδο υγρού σε κάθε κελί μπαταρίας. Μην φορτίζετε τις μπαταρίες εάν το υγρό δεν καλύπτει ελαφρά τις πλακέτες της μπαταρίας. Μην παραγεμίζετε τις μπαταρίες. Η παραγέμιση μπορεί να προκαλέσει υπερχειλίση κατά τη φόρτιση λόγω διόγκωσης. Επανατοποθετήστε τα καπάκια πριν τη φόρτιση.
- Τοποθετήστε τον εγκεκριμένο φορτιστή σε γειωμένη πρίζα πριν τον τοποθετήσετε στο μηχάνημα.
- Τοποθετήστε το φορτιστή στην κόκκινη υποδοχή που βρίσκεται στο μπροστινό αριστερά χώρο της μπαταρίας.
- Ανοίξτε τη βάση στήριξης της δεξαμενής ανάκτησης και τοποθετήστε τη δεξαμενή απαλά κάτω, να ακουμπά στη βάση.
- Ο φορτιστής θα ξεκινήσει αυτόματα να φορτίζει τις μπαταρίες, και θα κλείσει αυτόματα όταν φορτίσουν εντελώς.
- Μόλις τελειώσει η φόρτιση, βγάλτε πρώτα τον φορτιστή από την πρίζα, και μετά αποσυνδέστε τον από το μηχάνημα.
- Ελέγξτε το επίπεδο της μπαταρίας αφού ολοκληρωθεί η φόρτιση. Εάν το επίπεδο του υγρού είναι χαμηλό, προσθέστε αποσταγμένο νερό για να ανεβάσετε το επίπεδο του υγρού μέχρι τον πάτο των διαφανών σωλήνων επισκόπησης. Επανατοποθετήστε τα καπάκια και σκουπίστε τις μπαταρίες με πετσέτα.

**ΣΥΝΤΗΡΗΣΗ**

Για να διατηρήσετε την καλή απόδοση του μηχανήματος για πολλά χρόνια, παρακαλούμε να τηρήσετε τις ακόλουθες διαδικασίες συντήρησης.

**ΠΡΟΣΟΧΗ!**

Πάντα να φροντίζετε το μηχάνημα να είναι κλειστό και το καλώδιο της μπαταρίας αποσυνδεδεμένο πριν κάνετε οποιαδήποτε συντήρηση ή επισκευή.

**ΚΑΘΗΜΕΡΙΝΗ ΣΥΝΤΗΡΗΣΗ**



- Αφαιρέστε τον οδηγό της βάσης / βούρτσα και καθαρίστε με εγκεκριμένο απορρυπαντικό.
- Αποστραγγίστε τις δεξαμενές ανάκτησης και διαλύματος εντελώς και ξεπλύνετε με καθαρό νερό. Ελέγξτε οπτικά την δεξαμενή ανάκτησης για σκουπίδια και καθαρίστε όπου χρειάζεται.
- Ανοψώστε το μηχανισμό μάκτρον από το πάτωμα και σκουπίστε το με μια υγρή πετσέτα. Φροντίστε να διατηρήσετε το μάκτρο σε θέση προς τα πάνω.
- Αφαιρέστε το μηχανισμό κλεισίματος του φλοτέρ και ξεπλύνετε το με καθαρό νερό.
- Καθαρίστε το μηχάνημα με εγκεκριμένο καθαριστικό και υγρή πετσέτα. Μην ψεκάζετε με νερό για να καθαρίσετε το εξωτερικό του μηχανήματος, για να αποφύγετε ζημιά στο μηχάνημα και την καλωδίωση.
- Επαναφορτίστε τις μπαταρίες.



### ΕΒΔΟΜΑΔΙΑΙΑ ΣΥΝΤΗΡΗΣΗ

- Ελέγξτε το επίπεδο του υγρού στις μπαταρίες.
- Ελέγξτε τις μπαταρίες για λυμένα ή διαβρωμένα καλώδια.
- Κρατήστε το πάνω μέρος των μπαταριών καθαρό από διαβρώσεις.

### ΜΗΝΙΑΙΑ ΣΥΝΤΗΡΗΣΗ

- Ελέγξτε το μηχάνημα για διαρροές και λυμένες βίδες.
- Λιπάνετε όλα τα σημεία λίπανσης και τα σημεία περιστροφής με σπρέι σιλικόνης και εγκεκριμένο λιπαντικό.
- Τοποθετήστε το μηχάνημα πάνω σε αποχέτευση δαπέδου. Ξεπλύνετε το σύστημα διαλύματος ρίχνοντας 10 λίτρα καυτού νερού και εγκεκριμένου αλκαλικού απορρυπαντικού μέσα στη δεξαμενή διαλύματος και λειτουργήστε το μηχάνημα (με το διακόπτη διαλύματος ενεργοποιημένο) για 45 δευτερόλεπτα. Σβήστε το μηχάνημα και αφήστε το για μια νύχτα. Την επόμενη μέρα, αποστραγγίστε το υπολειπόμενο διάλυμα και ξεπλύνετε τη δεξαμενή διαλύματος με καθαρό νερό.

### ΣΥΣΤΗΜΑ ΚΑΘΑΡΙΣΜΟΥ ΦΙΛΤΡΟΥ ΚΙΝΗΤΗΡΑ

- Οδηγήστε το μηχάνημα σε επίπεδο πάτωμα.
- Γυρίστε το κλειδί ανάφλεξης (32) στη θέση «ΚΛΕΙΣΤΟ».
- Ανοίξτε τη δεξαμενή ανάκτησης νερού.
- Εάν χρειαστεί, αποστραγγίστε το νερό από τη δεξαμενή για να εμφανισθεί το φίλτρο.
- Βεβαιωθείτε ότι το προ-φίλτρο είναι καθαρό. Εάν χρειαστεί, καθαρίστε το με νερό και συμπιεσμένο αέρα, και μετά εγκαταστήστε το.
- Εκτελέστε τα βήματα 1, 2 και 3 με αντίστροφη σειρά.

### ΚΑΘΑΡΙΣΜΟΣ ΦΙΛΤΡΟΥ ΔΙΑΛΥΜΑΤΟΣ / ΚΑΘΑΡΟΥ ΝΕΡΟΥ

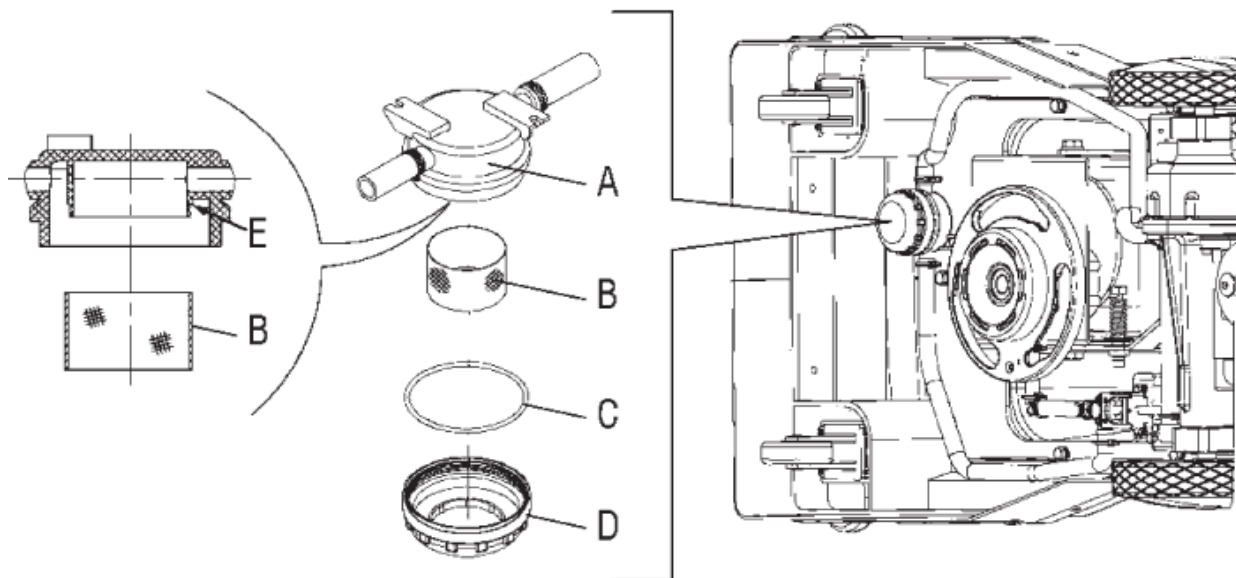
- Οδηγήστε το μηχάνημα σε επίπεδο πάτωμα.
- Γυρίστε το κλειδί ανάφλεξης (32) στη θέση «ΚΛΕΙΣΤΟ».
- Αφαιρέστε το διαφανές κάλυμμα (D) (η θέση του φίλτρου νερού είναι κάτω από τη μηχανή), και μετά αφαιρέστε το σουρωτήρι του φίλτρου (B). Καθαρίστε τα και εγκαταστήστε τα στο στήριγμα (A).





## ΣΗΜΕΙΩΣΗ

Το σουρωτήρι του φίλτρου (B) πρέπει να τοποθετηθεί σωστά στο περίβλημα (E) του στηρίγματος (A).



## ΕΛΕΓΧΟΣ ΤΟΥ ΠΤΕΡΥΓΙΟΥ ΤΟΥ ΜΑΚΤΡΟΥ ΚΑΙ ΑΝΤΙΚΑΤΑΣΤΑΣΗ

- Καθαρίστε το μάκτρο όπως αναφέρεται στην προηγούμενη παράγραφο.
- Ελέγξτε εάν η γωνία (M) του μπροστινού πτερυγίου (D) και η γωνία (L) του πίσω πτερυγίου (E) βρίσκονται στο ίδιο επίπεδο, σε όλο τους το μήκος.

Διαφορετικά ρυθμίστε το ύψος τους με βάση την ακόλουθη διαδικασία:

- Ελευθερώστε τις ασφάλειες (A) για να ρυθμίσετε το πίσω πτερύγιο (E), μετά κλείστε τις ασφάλειες.
- Ξεσφίξτε τους χειροτροχούς (G) και ρυθμίστε το μπροστινό πτερύγιο (D), μετά σφίξτε τους χειροτροχούς.
- Ελέγξτε το μπροστινό πτερύγιο (D) και το πίσω πτερύγιο (E) για ακεραιότητα, κοψίματα και σχισίματα. Εάν χρειαστεί αντικαταστήστε τα όπως φαίνεται παρακάτω.

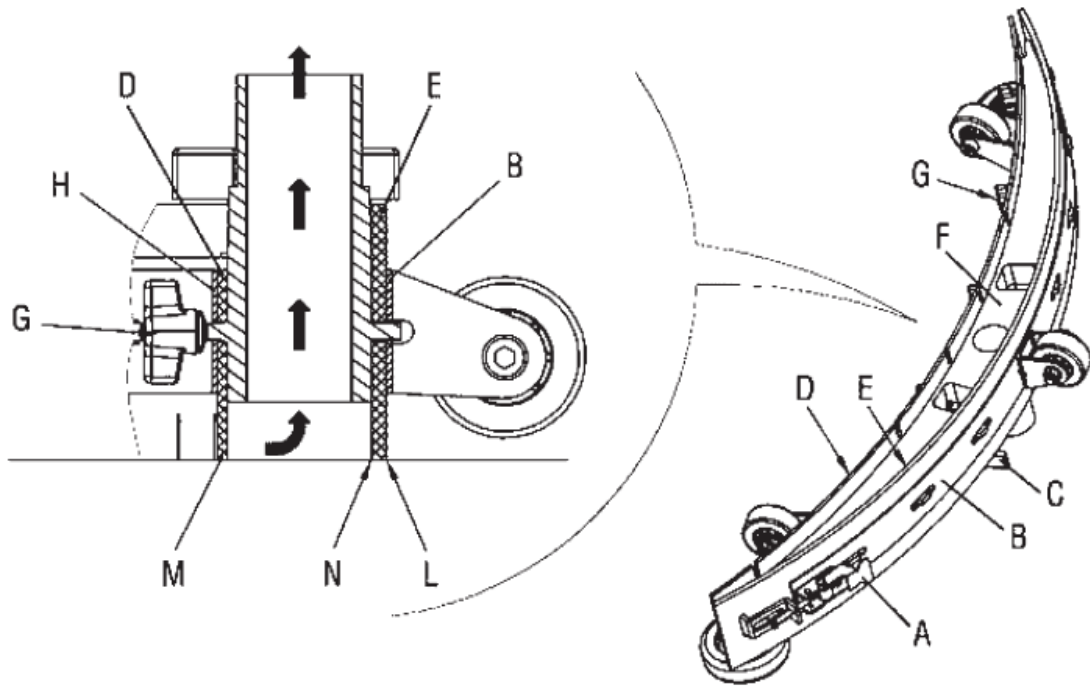
Ελέγξτε εάν έχει φαγωθεί η μπροστινή γωνία (N) του πίσω πτερυγίου. Διαφορετικά, γυρίστε το πτερύγιο ανάποδα για να αντικαταστήσετε τη φαγωμένη γωνία με μία ακέραιη.

Εάν και οι άλλες γωνίες είναι φαγωμένες, αντικαταστήστε το πτερύγιο με βάση την ακόλουθη διαδικασία:

- Ελευθερώστε τις ασφάλειες (A) και αφαιρέστε την λωρίδα ασφαλείας (B), μετά αντικαταστήστε / αναποδογυρίστε το πίσω πτερύγιο (E). Εγκαταστήστε και πάλι το πτερύγιο με σειρά αντίστροφη της αφαίρεσης.
- Ξεβιδώστε τους χειροτροχούς (G) και αφαιρέστε τη λωρίδα ασφαλείας (H), μετά αντικαταστήστε το μπροστινό πτερύγιο (D). Εγκαταστήστε και πάλι το πτερύγιο με σειρά αντίστροφη της αφαίρεσης.

Μετά την αντικατάσταση (ή αναποδογύρισμα) του πτερυγίου, ρυθμίστε το ύψος όπως αναφέρεται στο προηγούμενο βήμα.

- Συνδέστε το σωλήνα μηχανισμού απορρόφησης (33) με το μάκτρο.
- Εγκαταστήστε το μάκτρο (13) και βιδώστε τους χειροτροχούς (34).



### ΚΑΘΑΡΙΣΜΟΣ ΒΟΥΡΤΣΑΣ / ΒΑΣΗΣ



#### ΠΡΟΣΟΧΗ!

Κίνδυνος κοψιμάτων.

Προτείνεται να φοράτε προστατευτικά γάντια όταν καθαρίζετε τη βούρτσα / βάση επειδή μπορεί να υπάρχουν κοφτερά υπολείμματα.

- Αφαιρέστε τη βούρτσα / βάση από το μηχάνημα, όπως αναφέρεται στο κεφάλαιο «Χρήση».
- Καθαρίστε και πλύνετε τη βούρτσα / βάση με νερό και απορρυπαντικό.
- Ελέγξτε εάν η βούρτσα / βάση είναι ακέραιη και δεν έχει φαγωθεί πολύ. Διαφορετικά αντικαταστήστε την.


### ΕΠΙΛΥΣΗ ΠΡΟΒΛΗΜΑΤΩΝ

ΠΡΟΒΛΗΜΑ	ΑΙΤΙΑ	ΛΥΣΗ
Δεν υπάρχει ρεύμα	Χαλασμένες μπαταρίες	Αντικαταστήστε τις μπαταρίες
	Οι μπαταρίες χρειάζονται φόρτιση	Φορτίστε τις μπαταρίες (βλέπε Φόρτιση μπαταριών)
	Χαλαρό καλώδιο μπαταρίας	Σφίξτε τα χαλαρά καλώδια
	Οι μπαταρίες δεν έχουν συνδεθεί σωστά	Ακολουθήστε τις οδηγίες εγκατάστασης μπαταριών
Η βούρτσα του κινητήρα δε λειτουργεί	Χαλασμένος διακόπτης βούρτσας	Επικοινωνήστε με το διανομέα Viper
	Έχει πέσει ο διακόπτης κυκλώματος της βούρτσας	Ελέγξτε τον κινητήρα της βούρτσας για τυχόν εμπόδια και επαναφέρετε το διακόπτη.
	Ο ανορθωτής έχει καεί	Επικοινωνήστε με το διανομέα Viper
	Λάθος καλωδίωση	Επικοινωνήστε με το διανομέα Viper
	Χαλασμένος κινητήρας βούρτσας	Επικοινωνήστε με το διανομέα Viper
	Έχουν φθαρεί τα καρβονάκια	Επικοινωνήστε με το διανομέα Viper
Βλάβη στο πηνίο	Επικοινωνήστε με το διανομέα Viper	
Ο κινητήρας του απορροφητικού	Βλάβη του διακόπτη απορροφητικού μηχανισμού	Επικοινωνήστε με το διανομέα Viper
	Λάθος καλωδίωση	Επικοινωνήστε με το διανομέα Viper

ΠΡΟΒΛΗΜΑ	ΑΙΤΙΑ	ΛΥΣΗ
μηχανισμού δε λειτουργεί	Βλάβη του κινητήρα απορροφητικού μηχανισμού	Επικοινωνήστε με το διανομέα Viper
	Έχουν φθαρεί τα καρβουνάκια	Επικοινωνήστε με το διανομέα Viper
Μικρός χρόνος λειτουργίας	Οι μπαταρίες πρέπει να φορτιστούν	Φορτίστε τις μπαταρίες (βλέπε Φόρτιση μπαταριών)
	Οι μπαταρίες χρειάζονται συντήρηση	Βλέπε Συντήρηση μπαταριών σ' αυτό το εγχειρίδιο
	Βλάβη του κελιού μπαταρίας	Αντικαταστήστε τις μπαταρίες
	Βλάβη του φορτιστή	Αντικαταστήστε το φορτιστή
Μικρή ή καθόλου ροή του καθαριστικού διαλύματος	Βλάβη του διακόπτη διαλύματος	Επικοινωνήστε με το διανομέα Viper
	Φραγμένος σωλήνας διαλύματος	Επικοινωνήστε με το διανομέα Viper
	Φραγμένο φίλτρο διαλύματος	Αφαιρέστε το φίλτρο και καθαρίστε
	Η διασωλήνωση του διαλύματος έχει φράξει	Αφαιρέστε τη διασωλήνωση του διαλύματος και καθαρίστε
	Το κουμπί ρύθμισης της ροής του διαλύματος χρειάζεται ρύθμιση	Αυξήστε τη ροή γυρνώντας τη λαβή ρύθμισης διαλύματος στα δεξιά. Μειώστε τη ροή γυρνώντας τη λαβή ρύθμισης διαλύματος στα αριστερά.
Κακή απορρόφηση νερού	Φρακαρισμένο μάκτρο	Καθαρίστε τυχόν σκουπίδια από το μάκτρο με μια υγρή πετσέτα
	Τα περύγια του μάκτρον έχουν φθαρεί	Εγκαταστήστε καινούρια περύγια
	Το μάκτρο δεν έχει τοποθετηθεί σωστά	Φροντίστε να έχει σφιχτεί με ασφάλεια ο μηχανισμός του μάκτρον πάνω στο μηχανήμα, και να μην είναι χαλαρός
	Οι σωλήνες του απορροφητικού μηχανισμού έχουν τρύπα ή είναι χαλαροί	Ελέγξτε τις συνδέσεις του σωλήνα και βεβαιωθείτε ότι είναι σφιχτές. Αντικαταστήστε το σωλήνα εάν έχει υποστεί ζημιά.
	Ο σωλήνας του απορροφητικού μηχανισμού μπορεί να έχει φρακάρει	Ελέγξτε το σωλήνα για υπολείμματα και αφαιρέστε τυχόν σκουπίδια
	Το πώμα αποστράγγισης του σωλήνα είναι χαλαρό	Σφίξτε το πώμα αποστράγγισης
	Οι μπαταρίες πρέπει να φορτιστούν	Φορτίστε τις μπαταρίες (βλέπε Φόρτιση μπαταριών)
	Ο κινητήρας απορροφητικού μηχανισμού έχει χαλαρώσει	Σφίξτε τις βίδες του κινητήρα του μηχανισμού απορρόφησης. Μην τις σφίξετε πολύ γιατί μπορεί να προκληθεί ζημιά.
	Το καπάκι της δεξαμενής ανάκτησης είναι χαλαρό	Εξακριβώστε ότι το διαφανές καπάκι της δεξαμενής ανάκτησης είναι στην ασφαλή του θέση
	Η οπή εισόδου της δεξαμενής ανάκτησης είναι φραγμένη	Αποστραγγίστε τη δεξαμενή ανάκτησης και γυρίστε την στο πλάι. Ελέγξτε την οπή εισόδου για υπολείμματα και αφαιρέστε τα.
Η δεξαμενή ανάκτησης είναι πλήρης	Αποστραγγίστε τη δεξαμενή ανάκτησης	

ΠΡΟΒΛΗΜΑ	ΑΙΤΙΑ	ΛΥΣΗ
	Το κλείσιμο του φλοτέρ είναι φρακαρισμένο	Αφαιρέστε το φλοτέρ από το εσωτερικό της δεξαμενής ανάκτησης και αφαιρέστε τυχόν σκουπίδια

## ΑΠΟΘΗΚΕΥΣΗ

	<p><b>ΠΡΟΣΟΧΗ!</b></p> <p>Εάν αποθηκεύετε το μηχάνημα σε περιοχή με παγωνιά, φροντίστε να έχουν αδειάσει και στεγνώσει και οι δύο δεξαμενές και τα υδραυλικά του διαλύματος.</p>
---	--

- Αποθηκεύστε τη συσκευή σε στεγνό μέρος, μακριά από παγωνιά.
- Η θερμοκρασία αποθήκευσης του μηχανήματος πρέπει να κυμαίνεται ανάμεσα σε 0° C και +40° C.
- Πάντα να αποθηκεύετε το μηχάνημα σε εσωτερικό χώρο.
- Πάντα να βγάζετε τη βούρτσα / οδηγό βάσης.
- Πάντα να αποθηκεύετε το μηχάνημα με το μηχανισμό μάκτρον ανυψωμένο από το πάτωμα.
- Εάν αποθηκεύετε το μηχάνημα σε περιοχή που μπορεί να φτάσει θερμοκρασίες ψύξης, βεβαιωθείτε ότι έχετε αποστραγγίσει όλα τα υγρά από το μηχάνημα πριν την αποθήκευση.
- Οποιαδήποτε ζημιά προκληθεί από παγωνιά δεν καλύπτεται από την εγγύηση.
- Αποστραγγίστε τη δεξαμενή ανάκτησης και αφαιρέστε το διαφανές καπάκι από το πάνω μέρος της δεξαμενής ανάκτησης έτσι ώστε να «αναπνέει» κατά την αποθήκευση.
- Αποστραγγίστε κάθε υγρό από τη δεξαμενή διαλύματος.

## ΑΝΑΚΥΚΛΩΣΗ ΤΟΥ ΜΗΧΑΝΗΜΑΤΟΣ ΚΑΘΑΡΙΣΜΟΥ

Κάντε αδύνατη τη χρήση ενός παλιού μηχανήματος καθαρισμού, με τις εξής ενέργειες:

- Αφαιρέστε τις μπαταρίες
- Μην πετάτε τις ηλεκτρικές συσκευές μαζί με τα απορρίμματα του σπιτιού.



Σύμφωνα με την Ευρωπαϊκή Οδηγία 2002/96/EC για παλιές ηλεκτρικές και ηλεκτρονικές συσκευές, τα μεταχειρισμένα ηλεκτρικά αντικείμενα πρέπει να συλλέγονται ξεχωριστά και να ανακυκλώνονται οικολογικά.

Επικοινωνήστε με τις τοπικές αρχές ή τον πιο κοντινό σας έμπορο για περαιτέρω πληροφορίες.

## İÇİNDEKİLER

GİRİŞ.....	176
KILAVUZUN AMACI VE İÇERİĞİ.....	176
HEDEF.....	176
BU KILAVUZ NASIL SAKLANMALIDIR.....	176
UYGUNLUK BİLDİRİMİ.....	176
TANIMLAMA BİLGİLERİ.....	176
DİĞER REFERANS KILAVUZLAR.....	176
YEDEK PARÇA VE BAKIM.....	176
DEĞİŞİKLİK VE GELİŞTİRMELER.....	176
MAKSAT VE AMAÇLANAN KULLANIM.....	176
KURALLAR.....	177
PAKETİ AÇMA/TESLİMAT.....	177
GÜVENLİK.....	177
TALİMATLARI İŞARETLEMELER İÇİN KULLANILAN SEMBOLLER.....	177
GENEL TALİMATLAR.....	178
MAKİNE TANITIMI.....	181
MAKİNE YAPISI.....	181
AKSESUARLAR/OPSİYONLAR.....	182
BAĞLANTI ŞEMASI (FANG20HD-EU ).....	184
ÇALIŞTIRMA.....	185
MAKİNEYİ ÇALIŞTIRMADAN ÖNCE.....	185
MAKİNEYİ ÇALIŞTIRIRKEN.....	189
BAKIM.....	191
GÜNLÜK BAKIM.....	191
HAFTALIK BAKIM.....	191
AYLIK BAKIM.....	191
VAKUM SİSTEMİ MOTOR FİLTRESİ TEMİZLİĞİ.....	191
SOLÜSYON/TEMİZ SU FİLTRESİ TEMİZLİĞİ.....	191
SİLECEK BIÇAĞI KONTROLÜ VE DEĞİŞTİRME.....	192
FIRÇA/KEÇE TEMİZLEME.....	192
SORUN GİDERME.....	193
DEPOLAMA.....	194
TEMİZLEYİCİNİN GERİ DÖNÜŞÜMÜ.....	194

## GİRİŞ



NOT

Parantez içerisindeki numaralar Makine Tanıtımı bölümünde gösterilen bileşenlere işaret etmektedir.

## KILAVUZUN AMACI VE İÇERİĞİ

Bu Kılavuzun amacı kullanıcıya makineyi düzgün, güvenli ve kendi başına kullanmak için gerekli olan bilgileri sunmaktır. Kılavuz, teknik veriler, güvenlik, kullanım, depolama, bakım, yedek parça ve elden çıkarma hakkında bilgiler içermektedir. Makine üzerinde herhangi bir prosedür gerçekleştirilmeden önce, operatörler ve teknik personel bu kılavuzu dikkatlice okumalıdır. Talimatlar konusunda anlaşılmayan herhangi bir husus olduğunda daha detaylı bilgi için Viper ile iletişime geçin.

## HEDEF

Bu kılavuz, makineye bakım yapmaya ehil kullanıcı ve teknisyenlere hitap etmektedir.

Kullanıcılar kalifiye teknisyenlerin yapması gereken işlemleri gerçekleştirmemelidirler. Viper bu kısıtlamaya uyulmamasından kaynaklanan hasarlardan sorumlu değildir.

## BU KILAVUZ NASIL SAKLANMALIDIR

Kullanım Kılavuzu makinenin yakınında, uygun bir kılıf içerisinde ve hasar görebileceği sıvı veya diğer maddelerden uzakta bulundurulmalıdır.

## UYGUNLUK BİLDİRİMİ

Makine ile birlikte verilen uygunluk bildirimini, makinenin yürürlükte olan yasalara uyumlu olduğunu tasdik etmektedir.



NOT

Orijinal uygunluk bildirimini iki kopyası makine belgeleri ile birlikte sunulmuştur. CE bildirimini Hızlı Başlangıç Kılavuzunda basılıdır.

## TANIMLAMA BİLGİLERİ

Makine modeli ve seri numarası plakada yer almaktadır.

Bu bilgi makine için yedek parçaya ihtiyaç olduğunda kullanışlı olacaktır. Makine tanımlama bilgilerini yazmak için aşağıdaki tabloyu kullanın.

MAKİNE modeli .....

MAKİNE seri numarası .....

## DİĞER REFERANS KILAVUZLAR

- Servis Kılavuzu (Viper Servis Merkezlerinden istenebilir)
- Yedek Parça Listesi (bakınız [www.vipercleaning.eu](http://www.vipercleaning.eu))

## YEDEK PARÇA VE BAKIM

Gerekli olan tüm işletme, bakım ve onarım prosedürleri kalifiye personel veya Viper Servis Merkezleri tarafından yerine getirilmelidir. Sadece orijinal olan yedek parçalar ve aksesuarlar kullanılmalıdır. Servis için veya yedek parça ve aksesuar siparişi vermek için makine modelini ve seri numarasını belirterek Viper ile iletişime geçin.

## DEĞİŞİKLİK VE GELİŞTİRMELER

Viper ürünlerini sürekli olarak geliştirmektedir ve daha önce satmış olduğu ürünlere bu faydaları uygulama zorunluluğu olmaksızın istediği şekilde değişiklik ve geliştirmeler gerçekleştirme hakkını saklı tutmaktadır.

Herhangi bir değişiklik ve/veya aksesuar ilavesi Viper tarafından onaylanmalı ve gerçekleştirilmelidir.

## MAKSAT VE AMAÇLANAN KULLANIM

Tüm otomatik temizleme makineleri, bina içerisinde yer alan suya dayanıklı zemin kaplamalarının ıslak temizliği için üretilmektedir. Otomatik temizleme makineleri döşenmiş halı ve halı temizliği için kullanılamaz.



Bu aygıt mesela otellerde, okullarda, hastanelerde, fabrikalarda, mağazalarda, ofislerde ve kiralama işlerinde ticari kullanım için uygundur.

Başka türlü herhangi bir kullanım uygunsuz kullanım olarak değerlendirilmektedir. Bu tür uygunsuz kullanımlardan dolayı ortaya çıkan zarardan dolayı üretici sorumluluk kabul etmemektedir. Bu tür kullanımın sorumluluğu sadece kullanıcıya aittir.

Uygun kullanım ayrıca, uygun bir şekilde çalıştırmayı ve üretici tarafından belirtilen şekilde servis ve tamirati gerektirmektedir.

Otomatik makinelere kullanıcıların kendisi tarafından yapılan değişiklikler, meydana gelecek herhangi bir hasar durumunda üreticinin sorumluluğunu ortadan kaldırmaktadır.

Makinenin kullanımından önce zemin kaplamalarının bu tür temizlik yöntemine uygunluğu kontrol edilmelidir!

Jimnastik salonu gibi mekânlardaki nokta-elastikiyete sahip zeminler için yüzey basıncını dikkate alınız!

Üretici, yanlış fırça ve temizlik ajanlarının kullanımından ortaya çıkan makine ve zemin kaplaması hasarlarından dolayı herhangi bir sorumluluk kabul etmemektedir.

## KURALLAR

İleri, geri, ön, arka, sol veya sağ ve yukarı terimleri operatörün pozisyonuna göre yani çalışma pozisyonuna göre ifade edilmektedir.

## PAKETİ AÇMA/TESLİMAT

Makineyi paketinden çıkarmak için paketin üzerinde yer alan talimatları dikkatlice uygulayın.

Makine teslim edildiğinde paketinin ve makinenin taşıma esnasında hasar görmediğini kontrol edin. Gözle görülür hasarlar için paketi muhafaza edin ve teslim eden taşıyıcıya kontrol ettirin. Hasar bildirimini doldurmak için hemen taşıyıcıyı arayın.

Aşağıdaki maddelerin paket içerisinde bulunduğunu kontrol edin:




- makine
- silecek
- fırça sürücüsü (ve keçe sürücüsü)

## GÜVENLİK

Aşağıdaki semboller potansiyel olarak tehlikeli durumları ifade etmektedir. Bu bilgiyi daima büyük bir dikkatle okuyun ve insanların ve eşyaların güvenliğini sağlamak için gereken tüm tedbirleri alın.

Yaralanmaların önlemek için operatörün işbirliği elzemdir. Makinenin kullanımından sorumlu kişinin tam işbirliği olmaksızın hiç bir kaza engelleme programı etkili değildir. Bir fabrikada, çalışırken veya etrafta hareket halindeyken, kazaların tamamına yakını tedbir için gereken en basit kurallara uymamaktan meydana gelebilmektedir. Dikkatli ve tedbirli bir operatör kazalara karşı en garanti yoldur ve herhangi bir kaza önleme programının başarılı bir şekilde tamamlanması için bu gereklidir.

## TALİMATLARI İŞARETLEMELİK İÇİN KULLANILAN SEMBOLLER

	<b>TEHLİKE!</b> Doğrudan ciddi veya geri döndürülemez yaralanmaya veya hatta ölüme sebep olabilecek tehlikeler.
	<b>UYARI!</b> Ciddi yaralanmaya veya hatta ölüme sebep olabilecek tehlikeler.
	<b>DİKKAT!</b> Küçük yaralanmalara ve hasara sebep olabilecek tehlikeler.



NOT

Önemli veya kullanışlı fonksiyonlara işaret etmektedir.

## GENEL TALİMATLAR

İnsanlara ve makineye karşı meydana gelebilecek potansiyel hasarlar hakkında bilgi vermek için belirlenen uyarı ve dikkat çekilecek hususlar aşağıda gösterilmiştir.

Aygıt,

- sadece kullanımı konusunda eğitilmiş ve açıkça çalıştırma işiyle görevlendirilmiş kişiler tarafından kullanılmalıdır
- sadece gözetim altında kullanılmalıdır
- çocuklar tarafından kullanılmalıdır

Çalıştırma yeri temizleyicinin arkasıdır.

Güvenli olmayan hiçbir çalışma tekniği kullanmayınız.

Her zaman temizleyiciyi her iki elinizi de tutamağından tutarak kullanın.

Temizleyici sabit durumda iken zemin kaplamasına zarar gelmesini önlemek için hemen fırçayı kapatın.

Aşağıdaki durumlarda aygıtı kapatın ve batarya fişini çıkarın:

- Temizleme ve servis öncesi
- Bileşenlerinin değiştirilmesinden önce
- Uygulamayı değiştirmeden önce

Temizleyicinin kullanımı yürürlükte olan ulusal kurallara tabidir. Kullanılan ülkede geçerli olan kullanım talimatları ve bağlayıcı kaza önleme düzenlemelerinin yanında, güvenli ve uygun çalışma için tanınan kuralları gözetin.

## TAŞIMA

Temizleyiciyi asansörde taşıırken

- geçerli güvenlik kurallarına uyun özellikle de taşıma kapasitesine.

## ÇALIŞTIRMA

Cihazın yetkisiz olarak kullanılmasını engellemek için güç kaynağı kapatılmalı veya kilitlenmeli, mesela güç anahtarının kablosu çekilmelidir.

Saç, takı ve gevşek kumaşların makinenin hareket eden parçalarına takılmasını engellemek için gereken tüm tedbirleri alın.

Makineyi kullanmadan önce tüm gözlerini ve/veya kapaklarını kapatın.

Makinenin çalışma sıcaklığı 0°C ile +40°C arasında olmalıdır.

Nem oranı %30 ile %95 arasında olmalıdır.

Makineyi taşıma maksatlı olarak kullanmayın.

Yangın durumunda sulu değil toz esaslı yangın söndürücü kullanın.

Makinenin güvenlik korumalarını bastırıp sıkıştırmayın ve titizlikle normal bakım talimatlarını uygulayın.

Makinenin açık yerlerinden herhangi bir nesne girmesine müsaade etmeyin. Eğer girişleri tıkanık ise makineyi kullanmayın. Girişleri her zaman hava akışını azaltabilecek toz, saç ve diğer her tür yabancı maddelerden uzak tutun.

Makineye monte edilmiş olan plakaları yerlerinden çıkarmayın veya değiştirmeyin.

Eğer makine talimatlara uygun olarak kullanılırsa titreşimlerin herhangi bir tehlikesi olmaz. Makinenin titreşim seviyesi 2,5 m/s<sup>2</sup> (98/37/EEC-EN 1033/1995)'den daha düşüktür.

Tutamak/kol titreşim seviyeleri, 8 saatlik kesintisiz çalışma periyodu için sınır değer olan 2,5 m/s<sup>2</sup>'nin altındadır (ISO 5349'a göre ölçülmüştür).

Makine yollar veya kamuya açık dış alanlarda kullanılmamalıdır.

Viper makineleri herhangi bir malzemesine zarar vermeyecek olan standart deterjanlar ile birlikte kullanılabilir (solvent veya diğer güçlü sıvı malzemeleri kullanmayın). Viper, makinelerinde kullanılan aşırı etkili deterjanlarla ilgili olarak herhangi bir maddi hak talebini karşılamayacaktır. Eğer temizleme maksatlı olarak özel bir deterjana ihtiyacınız var ise Viper satıcınız ile

temas kurunuz.

Hava sıcaklığının sıfırın altında olduğu şartlarda makineyi taşıırken dikkatli olun. Tankta veya borularda yer alan su donabilir ve makineye ciddi hasar verebilir.

## BAKIM

Makinenin uygun ve güvenli kullanımını sağlamak için ilgili bölümde gösterilen bakım takviminde yer alan bakımlar yetkili bir personel veya Viper Servis Merkezi tarafından gerçekleştirilmelidir.

Herhangi bir bakım/talimat prosedürü gerçekleştirmeden önce tüm talimatları dikkatlice okuyun.

Güvenlik dayanakları ile desteklemeden, lifte alınmış makine altında çalışmayın.

Makineyi doğrudan veya basınçlı su ile veya korozyona sebep olabilecek maddelerle yıkamayın.

## GARANTİ


Cihazın kullanım ömrü 10 yıldır.


Aygıtın kullanım maksadı dışında kullanılmasına ilave olarak yapılan yetkisiz modifikasyonlar, uygun olmayan fırça ve deterjan kullanımı üreticiyi meydana gelebilecek hasardan muaf tutmaktadır.


## TEST VE ONAY

Elektriksel testler, provizyonlar ve güvenlik yönetmeliklerine göre gerçekleştirilmelidir; (BGV A3) ve DINVDE 0701 Bölüm 1 ve Bölüm 3. DINVDE 0702'e göre bu testler düzenli aralıklarla ve onarım ve modifikasyonlardan sonra gerçekleştirilmelidir.


## ELEKTRİKSEL BİLEŞENLER

	<p><b>TEHLİKE</b></p> <p>Bataryalar. Patlama riski.</p> <ul style="list-style-type: none"> <li>➤ Batarya şarj etmek yüksek derecede patlayıcı özelliğe sahip olan hidrojen gazı meydana getirmektedir. Batarya şarj esnasında tank kısmını açık tutun ve bu işlemi iyi havalandırılmış alanlarda ve çıplak alevden uzak bir şekilde gerçekleştirin.</li> <li>➤ Yangın, elektrik çarpması veya yaralanma riskini azaltmak için, aygıt fişe takılı iken başı boş bırakmayın. Herhangi bir bakım işlemi gerçekleştirmeden önce batarya şarj kablosunu elektrik prizinden çıkarın.</li> <li>➤ Bataryalar şarj edilirken sigara içmeyin.</li> <li>➤ Orijinal olmayan yedek parça, aksesuar, batarya ve şarj cihazlarının kullanımı güvenliğe ve cihaza zarar verebilir. Sadece Viper tarafından sağlanan yedek parça ve aksesuarları kullanın ve VIPER'ın önerdiği bataryaları kullanın. Onaylanmayan ve önerilmeyen batarya ve şarj cihazlarının kullanılması durumunda VIPER bundan kaynaklanan hasarı (garanti) ödemeyecektir.</li> </ul>
--	---


	<p><b>DİKKAT</b></p> <p>Batarya şarj cihazı. Hatalı fiş veya şarj kablosu sebebiyle elektrik çarpması. Hatalı bir fişe veya şarj kablosuna dokunmak ciddi ve hatta ölümcül yaralanmalarla sonuçlanabilir.</p> <ul style="list-style-type: none"> <li>➤ Bataryayı kıvılcım, alev ve kor halindeki maddelerden uzak tutun. Normal çalışma esnasında patlayıcı gazlar ortaya çıkmaktadır.</li> <li>➤ Batarya şarj cihazını kullanmadan önce makine seri numarasının yer aldığı plakada yazılı olan voltaj değerlerinin prizdeki değerler ile eşleştiğini kontrol edin.</li> <li>➤ Fişe zarar vermeyin (mesela üzerine bastırarak, çekerek veya vurarak).</li> <li>➤ Güç kablosunun hasarlı olup olmadığını ve eskime belirtileri gösterip göstermediğini düzenli olarak kontrol edin.</li> <li>➤ Hasarlı fişi kullanmadan önce Viper servis temsilciniz veya kalifiye bir elektrikçiye değiştirin.</li> <li>➤ Cihazı batarya şarj cihazı kablosundan çekmeyin veya taşımayın ve batarya şarj cihazını asla tutamak</li> </ul>
---	--

	<p>olarak kullanmayın. Batarya şarj kablosu üzerine kapı kapamayın veya batarya şarj kablosunu keskin kenarlardan veya köşelerden çekmeyin.</p> <ul style="list-style-type: none"><li>➤ Batarya şarj kablosunu sıcak yüzeylerden uzak tutun.</li><li>➤ Batarya şarj kablosu veya fişi hasarlı ise bataryaları şarj etmeyin. Eğer makine olması gerektiği gibi çalışmıyor, hasarlı, dış mekânda bırakılmış veya suya düşürülmüş ise Servis Merkezine götürün.</li></ul>
---	--


## MERDİVEN VE RAMPALAR

	<p><b>DİKKAT</b></p> <p>Merdiven ve rampalarda devrilme ve kayma riski.</p> <p>Merdiven ve rampaları temizlerken kişisel yaralanma ve mala hasar gelme riski söz konusudur.</p> <ul style="list-style-type: none"><li>➤ Merdiven temizlemeyin.</li><li>➤ Aygıtı sadece en fazla %2 eğimli olan yüzeylerde kullanın.</li></ul>
---	---


## ZEMİN KAPLAMALARI

	<p><b>DİKKAT</b></p> <p>Hassas zemin kaplamalarına gelebilecek zarar.</p> <p>Özellikle hassas zemin kaplamaları temizleme ile zarar görebilir.</p> <ul style="list-style-type: none"><li>➤ Temizleyiciyi kullanmadan önce zemin kaplamalarının bu temizleme tekniğine uygun olup olmadığını kontrol edin.</li><li>➤ Jimnastik salonu gibi mekânlarda nokta elastikiyete sahip zeminlere dikkat edin.</li><li>➤ Sadece Viper tarafından onaylanan temizleme ajanları kullanın.</li></ul>
---	---


## SAĞLIĞA ZARARLI MADDELER

	<p><b>UYARI</b></p> <p>Zemin kaplamalarında sağlığa zararlı maddeler.</p> <p>Zemin kaplamaları, temizleme esnasında çözünen, sağlığa zararlı maddeler içeriyor olabilir.</p> <ul style="list-style-type: none"><li>➤ Sağlığa zararlı toz veya sıvıların yayılabileceği zemin kaplamalarında temizlik yapmayın.</li></ul>
---	--

## PATLAMA RİSKİ

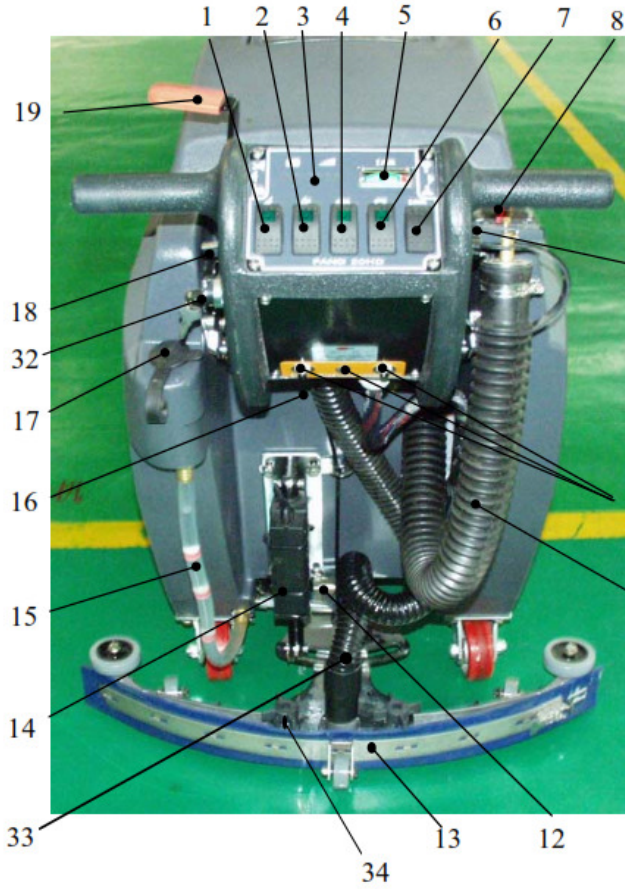
	<p><b>UYARI</b></p> <p>Yanıcı ve patlayıcı maddeler.</p> <p>Yanıcı veya patlayıcı maddelerin depolandığı patlayıcı ortamları veya alanlarda patlama riski.</p> <ul style="list-style-type: none"><li>➤ Tehlikeli, yanıcı ve/veya patlayıcı toz, sıvı veya buharların yakınında makineyi çalıştırmayın.</li></ul>
---	--

## YEDEK PARÇA VE AKSESUARLAR

	<p><b>DİKKAT</b></p> <p>Orijinal olmayan parçalar ve uygun olmayan deterjanlar.</p> <p>Orijinal olmayan parça ve uygun olmayan deterjan kullanımı aygıtın güvenliğini tehlikeye sokup hasara neden olabilir.</p> <ul style="list-style-type: none"><li>➤ Sadece Viper tarafından sağlanan yedek parça ve aksesuarları kullanın.</li><li>➤ Sadece aygıt ile birlikte sağlanan veya kullanma talimatlarında belirtilen aksesuarlar veya deterjanları kullanın.</li></ul>
---	--

## MAKİNE TANITIMI

## MAKİNE YAPISI



1. Ana güç AÇMA/KAPAMA anahtarı
2. Vakum AÇMA/KAPAMA anahtarı
3. Batarya seviye göstergesi
4. Fırça AÇMA/KAPAMA anahtarı
5. Fırça basınç göstergesi
6. Solüsyon AÇMA/KAPAMA anahtarı
7. Fırça basıncı YUKARI/AŞAĞI anahtarı
8. Solüsyon kontrol kolu
9. Hız kontrol kolu
10. Akım kesiciler
11. Geri kazanım tankı atık borusu
12. Silecek ayarlama somunu ve şaft
13. Silecek
14. Fırça başı çalıştırıcı
15. Solüsyon tank seviyesi yan tüpü

16. Konsol seviye ayarlama kolu
17. Arka solüsyon doldurma kapağı
18. Geri anahtarı
19. Silici kaldırma kolu
20. Kontrol kısmı
21. Operatör tuşları
22. Solüsyon tankı
23. Arka tekerlekler
24. Taşıma tekerleri
25. Fırça başı
26. Fırça başı eteği
27. Etek kısmı mandalı
28. Koruyucu merdaneler
29. Ön solüsyon doldurma kapağı
30. Geri kazanım tankı
31. Geri kazanım tank kapağı
32. Anahtar
33. Silecek vakum hortumu
34. Silecek montaj el çarkı

Silecek montaj el çarkı

**AKSESUARLAR/OPSİYONLAR**

Standart bileşenlere ilaveten makine özel kullanıma uygun olarak aşağıdaki aksesuar/opsiyonlar ile donatılabilir:

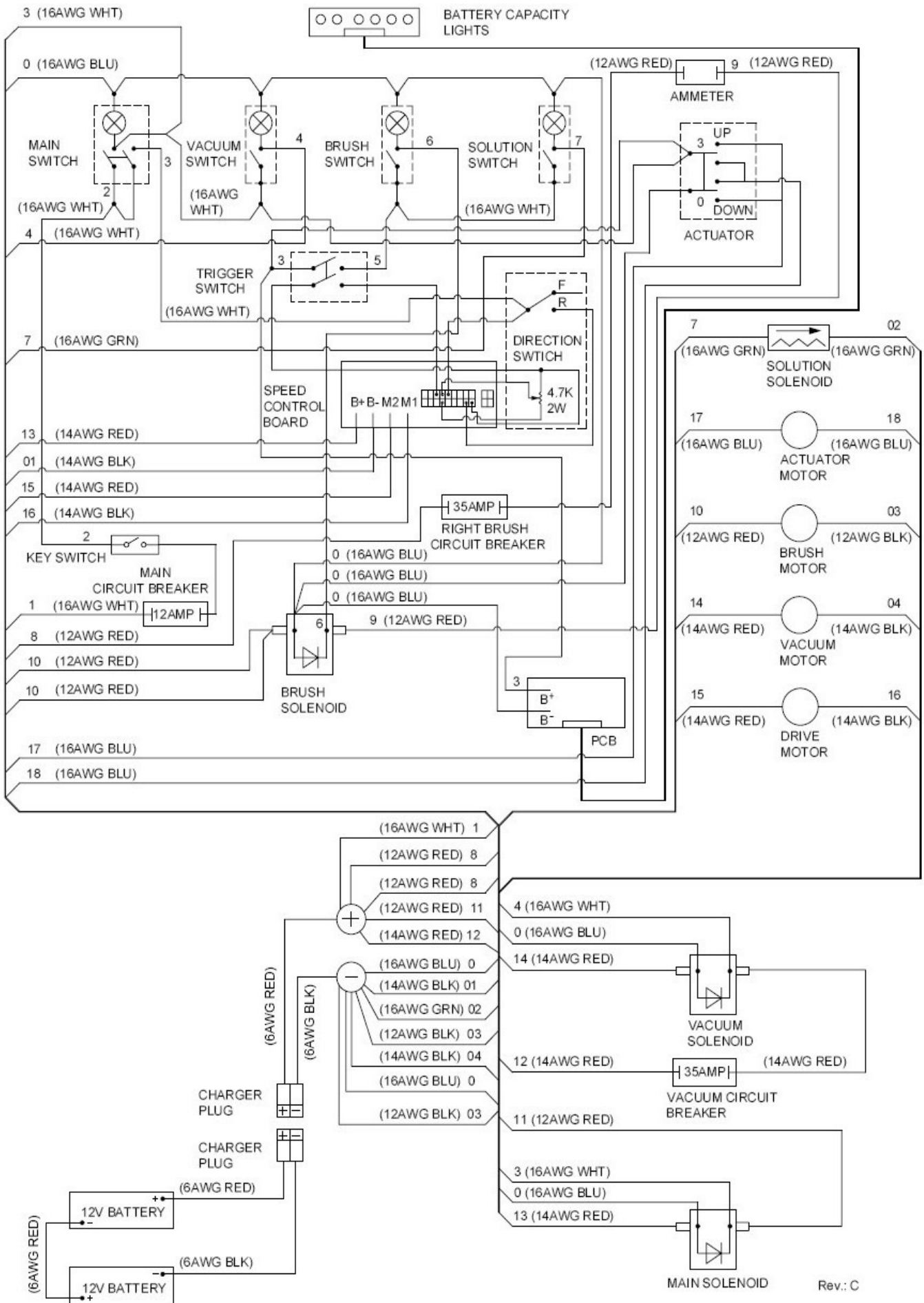
- Fırça
- Keçe sürücüsü

Opsiyon aksesuarlarla ilgili daha fazla bilgi almak için yetkili bir satıcı ile irtibata geçin.

**TEKNİK BİLGİLER**

Model		FANG 20HD-EU (1 fırça/keçe tutucu, sürücü sistemi ile beraber)
Makine yüksekliği	mm	990
Solüsyon/temiz su tank kapasitesi	l	61
Geri kazanım su tank kapasitesi	l	61
Ön tekerlek çapı	mm	76
Arka tekerlek çapı	mm	200
Vakum sistemi motor gücü	W	400
Sürüş sistemi motor gücü	W	250
Sürüş hızı (değişken)	km/h	0 – 4.5
Tırmanma kabiliyeti	%	2
İş istasyonundaki ses basınç seviyesi	dB(A)	69
Standart batarya	Ah @ 20 h	2 x 12V/215AmP.hR
Vakum sistemi akım kapasitesi	mm H <sub>2</sub> O	1.397
Temizleme genişliği	mm	510
Silecek genişliği	mm	750
Makine azami uzunluğu	mm	1.350
Silecek hariç makine genişliği	mm	560
Fırça çapı	mm	510
Bataryasız ve boş tank ile ağırlık	kg	107
Bataryalı ve dolu tanklar ile azami ağırlık	kg	181
Fırça motor gücü	W	560
Fırça hızı	rpm	200
Fırça/keçe tutucu basıncı	kg	UP TO91





**BAĞLANTI ŞEMASI (FANG20HD-EU )**

BAĞLANTI ŞEMASI(FANG20HD-EU )


Renk kodları

SYH	Siyah
MVİ	Mavi
YŞL	Yeşil
KIRMIZI	Kırmızı
BYZ	Beyaz

1	BATTERY CAPACITY LIGHTS	BATARYA KAPASİTE IŞIKLARI
2	MAIN SWITCH	ANA ANAHTAR
3	VACUUM SWITCH	VAKUM ANAHTARI
4	BRUSH SWITCH	FIRÇA ANAHTARI
5	SOLUTION SWITCH	SOLÜSYON ANAHTARI
6	AMMETER	AMPERMETRE
7	ACTUATOR	BAŞLATICI
8	TRIGGER SWITCH	TETİKLEYİCİ ANAHTAR
9	SPEED CONTROL BOARD	HIZ KONTROL PANOSU
10	DIRECTION SWITCH	YÖN ANAHTARI
11	RIGHT BRUSH CIRCUIT BREAKER	SAĞ FIRÇA AKIM KESİCİ
12	KEY SWITCH	ANAHTAR
13	MAIN CIRCUIT BREAKER	ANA AKIM KESİCİ
14	BRUSH SOLENOID	FIRÇA SELONOİDİ
15	PCB	PCB
16	SOLUTION SOLENOID	SOLÜSYON SELONOİDİ
17	ACTUATOR MOTOR	BAŞLATICI MOTOR
18	BRUSH MOTOR	FIRÇA MOTORU
19	VACUUM MOTOR	VAKUM MOTORU
20	DRIVE MOTOR	SÜRÜŞ MOTORU
21	VACUUM SOLENOID	VAKUM SELONOİDİ
22	VACUUM CIRCUIT BREAKER	VAKUM AKIM KESİCİ
23	MAIN SOLENIOD	ANA SELONOİD
24	CHARGER PLUG	ŞARJ FİŞİ
25	BATTERY	BATARYA


## ÇALIŞTIRMA

## MAKİNEYİ ÇALIŞTIRMADAN ÖNCE

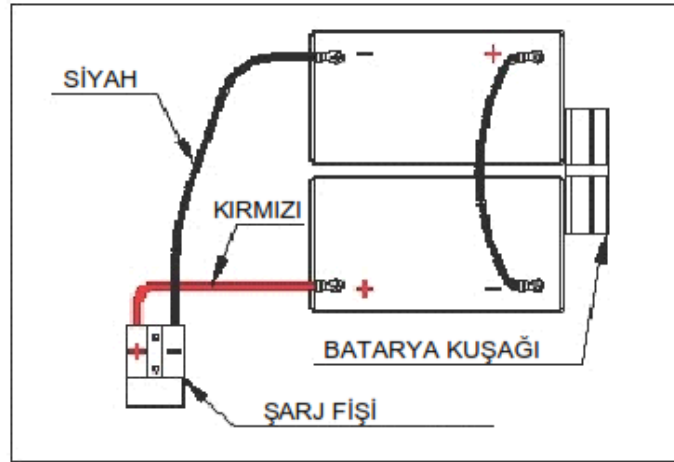
	<p><b>UYARI!</b> Makinenin bazı noktalarında şu uyarıları gösteren yapıştırma plakalar mevcuttur: TEHLİKE UYARI DİKKAT DANIŞIN</p>
---	--

Bu Kılavuzu okurken operatör plakalarda gösterilen sembollere özel dikkat göstermelidir. Bu plakaları hiç bir sebeple kapatmayın ve eğer zarar görürlerse hemen yenisiyle değiştirin.

## BATARYA YERLEŞTİRME

	<p><b>UYARI!</b> Eğer bataryalar yanlış bir şekilde yerleştirilir veya bağlanırsa makinenin elektrikli bileşenleri ciddi şekilde zarar görebilir. Bataryalar sadece kalifiye bir personel tarafından yerleştirilmelidir.</p> <ul style="list-style-type: none"> <li>➤ Elektronik pano ve batarya şarj cihazını kullanılan batarya türlerine (SULU veya JEL) göre ayarla (opsiyonel).</li> <li>➤ Yerleştirmeden önce bataryaların hasarlı olup olmadığını kontrol edin.</li> <li>➤ Batarya bağlantısını ve batarya şarj fişini çıkarın.</li> <li>➤ Bataryaları büyük bir dikkatle tutun.</li> <li>➤ Makine ile birlikte verilen batarya terminali koruma kapaklarını yerleştirin.</li> </ul>
---	---

Makine 12 V batarya kullanmaktadır ve aşağıdaki şemaya göre bağlanmalıdır:



Makinenin içerisinde fabrikada takılmış batarya yoktur fakat müşteriler batarya satın alabilirler (SULU veya JEL).

- Uygun olan batarya satın alın (Teknik Bilgiler paragrafına bakın).
- Batarya seçimi ve yerleştirme için kalifiye batarya satıcılarına müracaat edin.
- Makine ve batarya şarj cihazını müteakip paragrafta gösterildiği şekilde batarya türüne (SULU veya JEL) göre ayarlayın.

a) Bataryalar (SULU veya KURU) yerleştirilip kullanıma hazır olduğunda


- Bataryaların makineye şarj cihazı fişi ile takıldığını kontrol edin.
- Kontak anahtarını takın (32) ve “açma” konumuna getirin.

Eğer yeşil ışık (3) yanarsa, bataryalar kullanıma hazırdır.

Eğer sarı veya kırmızı ikaz ışığı (3) yanarsa, bataryalar şarj edilmelidir (Bakım bölümündeki prosedüre bakın).

b) Bataryalar (SULU) makineye yerleştirilmiş fakat elektrolitleri yok ise

- Kapağı açın (31) ve geri kazanım su tankının (30) boş olduğunu kontrol edin, değilse atık hortumu (11) ile boşaltın.
- Tankı dikkatli bir şekilde kaldırın (30).

	<p><b>UYARI!</b> Korosif olduğu için sülfürik asit kullanırken dikkatli olun. Eğer ten veya gözler ile temas ederse su ile temizleyin ve bir doktora danışın. Bataryalar çok iyi havalandırılan bir alanda doldurulmalıdır. Koruyucu eldivenler giyin.</p>
---	--

- Batarya hücrelerini bataryalar için üretilen sülfürik asit ile (yoğunluk 25°C'de 1.27 ila 1.29 kg arası) Batarya Kılavuzunda

- gösterilen talimatlara uygun olarak doldurun. Sülfürik asidin olması gereken miktarı Batarya Kılavuzunda gösterilmiştir.
- Zemine zarar vermemek için bataryaların üzerindeki su ve asidi şarj işlemi sonrasında bir kumaş ile kurulaşın.
- Bataryaları, Batarya Kılavuzunda yer alan talimatlara göre sülfürik asit ile doldurun ve dinlendirin.
- Bataryaları şarj edin (Bakım bölümündeki prosedürlere bakın).

### BATARYA ŞARJ AYARI

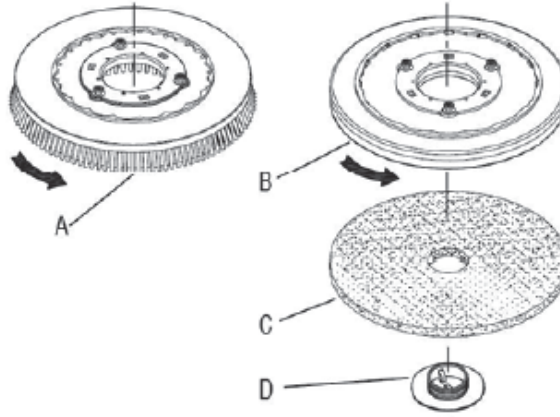
- Şarj cihazının varsayılan ayarı fabrikasyon olarak AGM., Jel, SLA, VRLA'dır
- Gerekirse sadece kurşunlu bataryalar için SULU pozisyonu kullanın. Lütfen satıcımız ile irtibata geçin.

### ÇALIŞTIRMA ÖNCESİ KONTROLLER

- Makinenin dışını silin.
- Makinenin voltajının yerel voltaj ile uyumlu olduğunu kontrol edin.
- Sileceğin düzgün şekilde takıldığını kontrol edin.
- Fırça/keçenin düzgün şekilde takıldığını kontrol edin.

### KEÇE SÜRÜCÜSÜ VEYA FIRÇANIN YERLEŞTİRİLMESİ

- Makinenin kapalı olduğundan emin olun.
- Ayak pedalına basarak ve pedala ileri doğru iterek fırça başını zemine alçaltın.
- Motor bölümüne erişmek için makineyi arkaya doğru eğin.



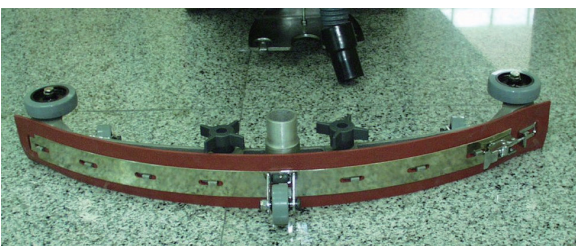
	<p><b>NOT</b></p> <p>Makineyi geriye doğru eğmeden önce silecek parçayı çıkarın. Bu, süreci daha hızlı ve kolay hale getirecektir.</p>
--	--

	<p><b>UYARI!</b></p> <p>Makineyi çok uzun süre geriye doğru eğik şekilde tutmayın. Bu, bataryalardan asit dökülmesine sebep olabilir.</p>
--	---

- Eğer keçe sürücüsü kullanıyorsanız, önce uygun keçeyi keçe sürücüsü yüzeyine takın.
- Keçe sürücüsünü veya fırçayı sürüş motor bölümüne üç çıkıntıyı üç girintiye denk gelecek şekilde yerleştirin. Deliklere yerleştirdikten sonra sürücüyü yerine kilitlemek için yaya doğru çevirin.

### SİLECEĞİ TAKMAK


- Silecek konsolunu yukarı kaldırmak için lift kolunu geriye doğru çekin.
- Silecek üzerindeki iki topuzu gevşetin ve sileceği silecek konsolunun arka tarafındaki yuvalarına kaydırın. (silecek üzerindeki tekerler arkaya bakacaktır)
- Topuzları emniyetli bir şekilde sıkıştırın.




**SOLÜSYON TANKININ DOLDURULMASI**


Fang 20HD-EU iki farklı yerden doldurulabilir:

- Ön doldurma alanından bir hortum veya kova ile.
  - Arka doldurma alanından sadece bir hortum ile.
- Makineyi su ile doldurmak için hangi doldurma alanını kullanacağınıza karar verin.
  - Solüsyon tankına 52 litreye kadar su doldurun. (su sıcaklığı 40° C'yi aşmamalıdır). Makinenin arka sol tarafındaki şeffaf tüpte solüsyon tankındaki su seviyesini anlamaya yardımcı olması için galon işaretleri yer almaktadır.


	<p><b>NOT</b> Eğer solüsyon tankını kova ile dolduruyorsanız kovanın temiz olduğundan emin olun. Bu döküntülerin hatlarda veya selonoidde tıkanıklık yaratmasına mani olacaktır.</p>
---	--

	<p><b>UYARI!</b> Solüsyon tankına herhangi bir yanıcı madde koymayın. Bu bir patlamaya veya yangına neden olabilir. Sadece önerilen temizleme kimyasallarını kullanın. Uygun kimyasallar önermesi için temizlik bakım işlerini gerçekleştiren distribütörünüz ile irtibata geçin.</p>
---	---


**MAKİNEİNİN ÇALIŞTIRILMASI VE DURDURULMASI**

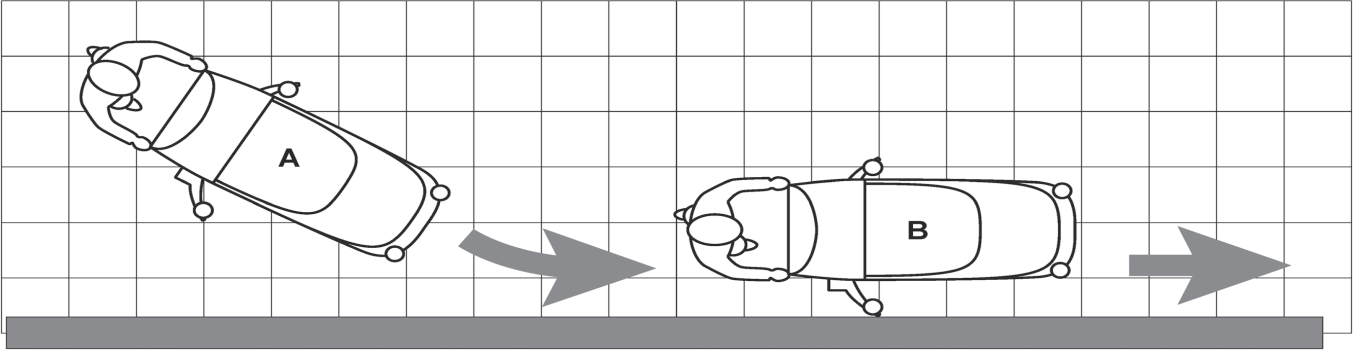
	<p><b>UYARI!</b> Bu kılavuzu okuyup anlamadan makineyi çalıştırmayın.</p>
---	---

- Panelin doğrudan altındaki iki seviye kolunu (16) kullanarak kontrol panelini konforlu bir yüksekliğe ayarlayın.
- Lift (19) kolunu kilitli olduğu pozisyonundan kurtararak sileceği zemine alçaltın.
- Basınç anahtarını (7) AÇMA pozisyonuna getirerek fırça başını zemine alçaltın.
- Ana güç anahtarını (1) "AÇMA" pozisyonuna getirin.
- Fırça motor anahtarını (4) "AÇMA" pozisyonuna getirin.
- Vakum motor anahtarını (2) "AÇMA" pozisyonuna getirin.
- Solüsyon motor anahtarını (6) "AÇMA" pozisyonuna getirin.
  - Çalıştırma tetikleyicileri çekilmediği sürece solüsyon akmaya başlamayacaktır.
- Fang 20HD-EU kendi kendine hareket edebilmektedir. Hız, kontrol panelinin sağ tarafında yer alan kol (9) ile kontrol edilebilmektedir.
- Fang 20HD-EU geriye doğru hareket edebilmektedir. Geriye hareketi aktif hale getirmek için kontrol panelinin sol tarafında yer alan bir anahtar (18) bulunmaktadır.
- Fırçalamaya başlamak için, iki kırmızı çalıştırma tetikleyicilerinden (21) birini veya her ikisini de çekin. Bu tetikleyiciler çekildiğinde fırça dönmeye ve solüsyon akmaya başlayacaktır. FANG20HD-EU: kendisi ilerleyecektir. FANG20HD-EU: Makine ilerleyerek fırçalamaya başlayacaktır.

	<p><b>UYARI!</b> Keçe / fırça dönerken makineyi aynı pozisyonda tutmayın yoksa bu zemine zarar verebilir.</p>
---	---

- Solüsyon kontrol düğmesini (8) ayarlayarak solüsyon akım miktarını ayarlayın. Daha fazla solüsyon için sağa daha az solüsyon için sola döndürün.

	<p><b>NOT</b> Duvar kenarlarının doğru bir şekilde fırçalanması/kurulanması için Viper, makinenin gösterilen şekilde doğru yanıyla duvar kenarlarına yaklaştırılmasını önermektedir.</p>
---	--

**DİKKAT!**

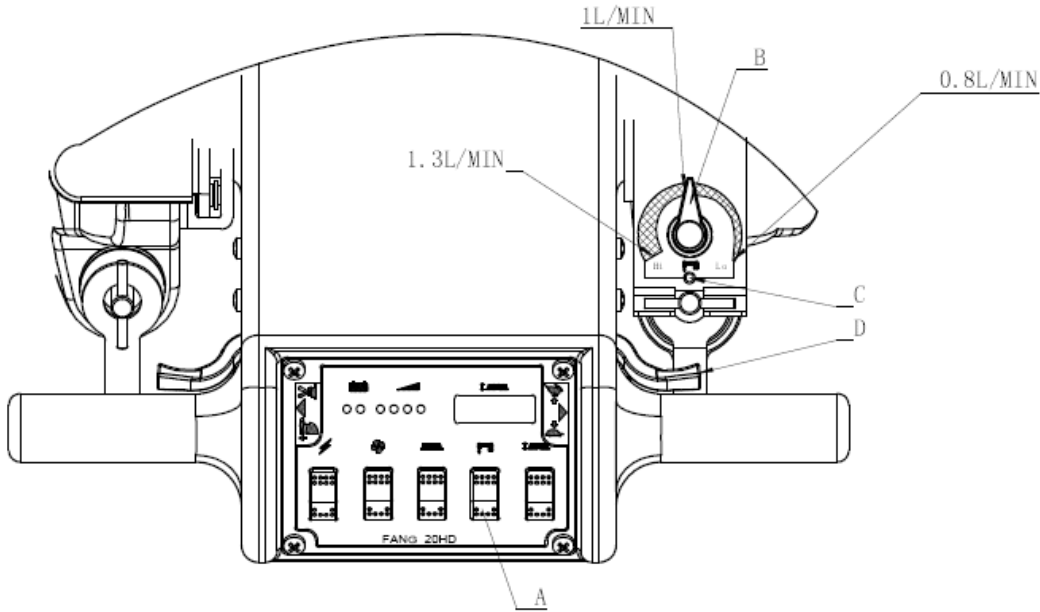
Taban yüzeyinde herhangi bir hasar meydana gelmemesi için makine bir yerde durduğunda özellikle de ekstra basınç fonksiyonu açık olduğu durumda fırça/keçe-tutucuyu kapatın.

**SOLÜSYON AKIM AYARI**

- Solüsyon anahtarını (A) “AÇMA” pozisyonuna getirin.
- Solüsyon kontrol düğmesini (B) döndürerek solüsyon akım miktarını ayarlayın, daha fazla solüsyon için sola (saat yönünün tersi) veya daha az solüsyon için sağa (saat yönü) döndürün. Mandal (C) solüsyon kontrol düğmesinin (B) kısıtlama pozisyonudur.

**NOT**

Solüsyon anahtarı (A) açık bile olsa çalıştırma tetikleyicileri (D) çekilmediği sürece solüsyon akmaya başlamayacaktır.

**ÇALIŞMA ESNASINDA BATARYANIN BOŞALMASI**

Yeşil ikaz ışığı (3) yanık olduğu sürece bataryalar makinenin normal bir şekilde çalışmasına izin verir.

Yeşil ikaz ışığı (3) kapandığında ve sarı ikaz ışığı (3) yandığında bataryaların şarj edilmesi önerilmektedir çünkü geriye kalan kendi kendine yetme durumu ancak birkaç dakika daha sürecektir (batarya özelliklerine ve yapılan işe bağlıdır).

Kırmızı ışık (3) yandığında kendi kendine yetebilme sona ermiş demektir. Birkaç saniye sonra fırça/keçe-tutucu otomatik olarak kapanacak vakum ve sürüş sistemi, zemini kurutmayı sona erdirmek ve makineyi uygun şarj etme alanına ulaştırmak için çalışmaya devam edecektir.



**DİKKAT!**

Bataryalara zarar gelmemesi ve batarya ömrünün azalmaması için makineyi boş bataryalar ile kullanmayın.

**MAKİNEYİ ÇALIŞTIRIRKEN**

- Sık sık temiz geri kazanım tankı kapağına, biriken köpük olup olmadığını kontrol etmek için bakın. Eğer aşırı miktarda köpük var ise geri kazanım tankına köpük kırıcı ekleyin.

**UYARI!**

Yüzen kapatma ekranına köpük girmemelidir yoksa vakum motoruna zarar gelebilir. Köpük makinenin yüzen kapatma cihazını etkin hale getirmeyecektir.

- Makine içerisinde kalan solüsyon miktarını kontrol etmek için makinenin arka sol kısmındaki şeffaf tüpe sık sık bakın.
- Sık sık batarya seviye göstergesini (3) kontrol edin. Gösterge kırmızı olduğunda bataryaları şarj edin.

**UYARI!**

Batarya seviye göstergesi kırmızı iken makineyi çalıştırmayın. Batarya zarar görebilir.

- Eğer silecek zeminde çizgiler bırakıyorsa sileceği zeminden kaldırın ve bıçaklarını nemli bir kumaş ile silin.

**UYARI!**

Yaralanabileceğiniz için bıçaklardan birikintileri silmek üzere parmağınızı kullanmayın.

- Solüsyon tankları boşaldığında fırça anahtarını, solüsyon anahtarını kapatın ve fırça başını yukarı kaldırın. Sileceği aşağıda tutun ve tüm kirli su yukarı çekilene kadar vakumu çalıştırmaya devam edin. (Geri kazanım ve solüsyon tanklarının nasıl boşaltılacağını öğrenmek için TANK BOŞALTMA bölümüne bakın)

**NOT**

Zarar görmemesi için fırça motoru akım kesici korumalıdır. Eğer bu kesici etkin hale gelirse hemen eski durumuna geri getirilemez. Öncelikle akım kesicinin çalışmasına neyin sebep olduğunu bulmanız ve akım kesiciyi eski pozisyonuna getirmek için motorun soğumasını beklemeniz gerekir.

**TANK BOŞALTMA**

- Makinenin gücünü kapatın.
- Silecek ve fırça başları “yukarı” pozisyonlarında iken, makineyi tank(larını) boşaltmak için onaylanan bir alana götürün.

**GERİ KAZANIM (KİRLİ) TANKININ BOŞALTILMASI****NOT**

Fırçalama sonlandığında herhangi bir zamanda veya solüsyon tankını yeniden doldururken geri kazanım tankı boşaltılmalı ve temizlenmelidir.

**UYARI!**

Eğer solüsyon tankı yeniden doldurulduğunda geri kazanım tankı boşaltılmazsa yüzen kapatma mekanizmasına köpük veya su girebilir ve vakum motoruna zarar verebilir.

- Boşaltma hortumunu tutamağından çıkarın ve boşaltma hortumunu boşaltma giderine yerleştirin. Boşaltma işlemine başlamak için boşaltma hortumu fişini bükün. Geri kazanım tankını tamamen boşaltmak için geri kazanım tankını menteşeden açın ve dayanak noktasına yaslayın.
- Geri kazanım tankını her kullanımdan sonra temizleyin. Geri kazanım tankını durulamak için temiz su kullanın. Yüzen kapatma mekanizmasının içerisine su kaçırmamaya dikkat edin.

**NOT**

Eğer makineyi bir müddet saklayacaksanız temiz geri kazanım tankının kapağını her zaman açık bırakın ki tamamen kurusun ve iyi koksun.

- Geri kazanım tankını boşaltır boşaltmaz boşaltma hortumunu yerine sıkıca takın.

**SOLÜSYON (TEMİZ) TANKININ BOŞALTILMASI**



NOT

Fırçalama işlemi tamamlanır tamamlanmaz solüsyon tankı boşaltılmalı ve temizlenmelidir.

- Tüpü (makinenin arka solu) hortum çengelinden çıkarmak için çekin. Bu, solüsyonun bir kova veya gidere rahatça akmasını sağlayacaktır.
- Her kullanımdan sonra solüsyon tankını temiz su ile durulayın. Bu, kimyasal birikimi ve solüsyon hatlarının tıkanmasını engelleyecektir.
- Solüsyon tankının içerisinde temiz su var iken makineyi açın ve solüsyon anahtarını “açma” konumuna getirip çalıştırma tetikleyicilerini çekin. Bu, temiz suyun mekanizma içerisinden geçmesini ve solüsyon pompasını temizlemesini sağlayacaktır.
- Tank temizlendiğinde, içerisinden su geçtiğinde ve durulandığında temiz tüpü hortum çengeline takın. Tüpün, hortum çengeline dik pozisyonda takılı olduğundan emin olun.

## BATARYA ŞARJI



NOT

En iyi makine performansı için bataryaları her zaman şarjlı halde bulundurun. Bataryaları boş şekilde bırakmayın.



NOT

Eğer makineye monteli opsiyonel batarya şarj makinesi var ise şarj cihazı gövdeye takılı değilken makine çalışmaz. Batarya şarj cihazı arızası durumunda yetkili Servis Merkezi ile irtibata geçin.



### DİKKAT!

Sadece aşağıdaki özelliklere sahip onaylı şarj cihazlarını kullanın:

- Otomatik akım kesici
- Derin çevrimde şarj eden
- Çıktı akımı 10-20 Amper olan
- Çıktı voltajı 24 Volt olan



### DİKKAT!

Bataryalar tehlikelidir! Bataryalar hidrojen gazı yaymaktadırlar ve bu patlama veya yangına sebep olabilir. Kıvılcım ve alevi her zaman bataryalardan uzak tutun. Makineyi şarj ederken batarya bölümünün açık kaldığından emin olun.




- Şarj ve makineyi iyi havalandırılmış bir alana yerleştirin.
- Makineyi kapatın.
- Geri kazanım tankını batarya bölümü görünecek şekilde açın.
- Her bir batarya hücresinin sıvı seviyesini kontrol edin. Batarya tabakalarını hafifçe sıvı kaplamadığı sürece şarj etmeyin. Bataryaları aşırı şekilde doldurmayın. Aşırı doldurma bataryaların şarj esnasında genişleme nedeniyle akmasına sebep olabilir. Şarj öncesinde kapakları yerine takın.
- Şarj cihazını makineye takmadan önce topraklanmış bir duvar prizine takın.

- Şarj cihazını batarya bölmesinin önünde yer alan kırmızı şarj alıcısına takın.
- Geri kazanma tankının “desteğini” yukarı doğru çevirin ve geri kazanım tankını desteğe yaslanana kadar nazikçe açın.
- Batarya şarj cihazı bataryaları otomatik olarak şarj etmeye başlayacak ve bataryalar tam olarak dolduğunda otomatik olarak kapanacaktır.
- Şarj işlemi tamamlandığında önce şarj cihazının fişini duvar prizinden çekin ve daha sonra şarj cihazını makineden çıkarın.
- Şarj işlemi tamamlandığında batarya seviyesini kontrol edin. Eğer sıvı seviyesi düşükse sıvı seviyesini görünen tüplerin seviyesine getirinceye kadar damıtılmış su ekleyin. Kapakları yerine takın ve bataryaları bir havlu ile silin.

## BAKIM

Makinenin yıllarca iyi bir şekilde çalışması için lütfen aşağıdaki bakım prosedürlerini yerine getirin.

	<p><b>DİKKAT!</b> Herhangi bir bakım veya tamirat gerçekleştirmeden önce daima makinenin kapalı olduğunu ve batarya kablosunun çekili olduğunu kontrol edin.</p>
---	--

## GÜNLÜK BAKIM

- Keçe sürücüsünü / fırçayı çıkarın ve onaylı bir temizleyici ile temizleyin.
- Geri kazanım ve solüsyon tanklarını tamamen boşaltın ve temiz su ile durulayın. Geri kazanım tankında artık olup olmadığını gözle kontrol edin ve gerektiği şekilde temizleyin.
- Sileceği zeminden yükseltin ve nemli bir havlu ile silin. Sileceği yukarı pozisyonunda bıraktığınızdan emin olun.
- Yüzen kapatma parçasını çıkarın ve temiz su ile durulayın.
- Makineyi onaylı bir temizleyici ve ıslak bir havlu ile temizleyin. Motor ve kablolarda hasar oluşmasını önlemek için makine dış yüzeyini temizlemek üzere su püskürtmeyin.
- Bataryaları şarj edin.



## HAFTALIK BAKIM

- Bataryaların sıvı seviyesini kontrol edin.
- Bataryaların kablolarının gevşek ve korozyonlu olup olmadığını kontrol edin.
- Batarya üstlerini korozyondan temizleyin.

## AYLIK BAKIM

- Makinede sızıntı ve gevşek cıvata kontrolü yapın.
- Tüm gres noktalarını ve döngül noktaları silikon sprey ve gres yağı ile yağlayın.
- Makineyi bir zemin giderinin üzerine yerleştirin. Solüsyon tankına 10 litre sıcak su ve onaylı alkalin deterjan doldurarak ve makineyi (solüsyon kontrolü açık konumda) 45 dakika çalıştırarak solüsyon sistemini temizleyin. Makineyi kapatın ve bir gece bekletin. Ertesi gün geri kalan solüsyonu boşaltın ve solüsyon tankını temiz su ile durulayın.

## VAKUM SİSTEMİ MOTOR FİLTRESİ TEMİZLİĞİ

- Makineyi düz bir zemine getirin.
- Kontak anahtarını (32) “KAPAMA” pozisyonuna getirin.
- Geri kazanım tankını açın.
- Gerekliyse filtreleri görünür kılmak için tanktan suyu boşaltın.
- Ön filtrenin temiz olduğunu kontrol edin. Gerekliyse su ve sıkıştırılmış hava ile temizleyip yerine takın.
- 1, 2 ve 3 üçüncü adımları tersi sırayla gerçekleştirin.

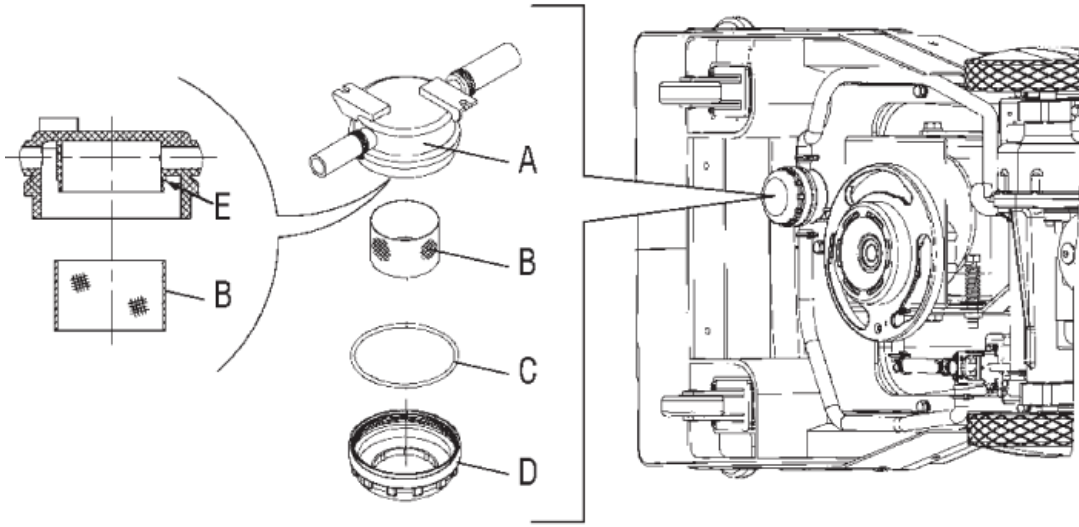
## SOLÜSYON/TEMİZ SU FİLTRESİ TEMİZLİĞİ

- Makineyi düz bir zemine getirin.
- Kontak anahtarını (32) “KAPAMA” pozisyonuna getirin.
- Transparan kapağı (D) (su filtresi makinenin altında) çıkarın, daha sonra filtre süzgecini çıkarın (B). Temizleyin ve desteğe (A) takın.



NOT

Filtre süzgeci (B) destekteki (A) yerine (E) doğru bir şekilde takılmalıdır.

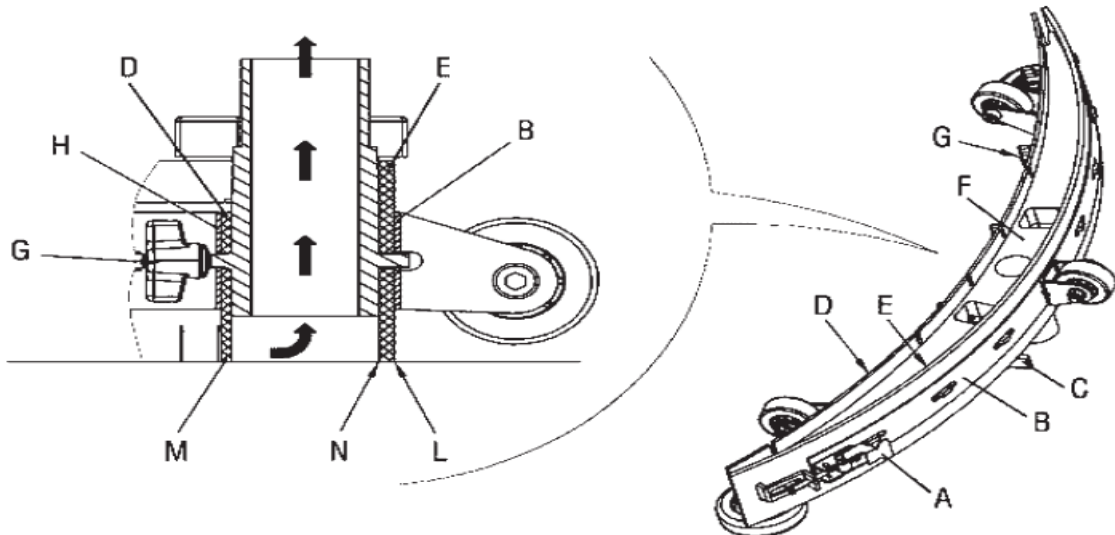


### SİLECEK BİÇAĞI KONTROLÜ VE DEĞİŞTİRME

- Sileceği daha önceki paragrafta gösterildiği şekilde temizleyin.
- Ön bıçağın (D) kenarının (M) ve arka bıçağın (E) kenarının (L) uzanım hattı boyunca aynı seviyede olduğunu kontrol edin; değilse bunları aşağıdaki prosedüre göre ayarlayın:
  - Arka bıçağı (E) ayarlamak için tutucuları (A) yerinden çıkarın; daha sonra tutucuları yerine takın.
  - El vidalarını (G) gevşetin ve ön bıçağı (D) ayarlayın; daha sonra el vidalarını sıkıştırın.
- Ön bıçak (D) ve arka bıçağın (E) bütünlüğünü, kesik ve yırtıklarını kontrol edin; gerekiyorsa bunları aşağıda gösterildiği şekilde değiştirin. Arka bıçağın ön köşesinin (N) yıpranmış olmadığını kontrol edin yıpranmış ise düzgün tarafı denk gelmesi için bıçağın diğer tarafını çevirin.
  - Eğer diğer köşeler de yıpranmış ise bıçağı aşağıdaki prosedüre göre değiştirin:
    - Tutucuları (A) ayırın ve tutucu şeridi (B) çıkarın daha sonra arka bıçağı (E) değiştirin/ters çevirin. Bıçağı çıkardığınızın tersi sırasıyla yerine takın.
    - El vidalarını (G) sökün ve tutucu şeridi (H) yerinden çıkarın, daha sonra ön bıçağı (D) değiştirin. Bıçağı çıkardığınızın tersi sırasıyla yerine takın.

Bıçak değiştirme (veya çevirme) sonrasında daha önceki adımlarda gösterildiği şekilde yüksekliği ayarlayın.

- Vakum hortumunu (33) sileceğe takın.
- Sileceği (13) yerine takın ve el vidalarını (34) sıkıştırın.



### FIRÇA/KEÇE TEMİZLEME

**DİKKAT!**

Kesilme riski.

Keskin kalıntılar olabileceğinden fırça/keçeyi değiştirirken koruyucu eldiven giymeniz önerilir.


- Fırçayı/keçeyi Kullanım bölümünde gösterildiği şekilde makineden ayırın.
- Fırça/keçeyi su ve deterjan ile temizleyin.
- Fırça/keçenin sağlam olduğunu ve aşırı şekilde eskimemiş kontrol edin; eğer eskimiş ise değiştirin.

**SORUN GİDERME**

SORUN	SEBEP	ÇÖZÜM
Güç yok	Kötü batarya	Bataryaları değiştirin
	Bataryaların şarj edilmesi gerekiyor	Bataryaları şarj edin (bakınız Batarya Şarj Etme)
	Gevşek batarya kablosu	Gevşek kablo(ları) sıkıştırın
	Bataryalar düzgün şekilde takılmamış	Batarya yerleştirme talimatlarını yerine getirin
Fırça motoru çalışmıyor	Fırça anahtarı arızası	Viperdistribütörü ile irtibata geçin
	Fırça akım kesici devreye girmiş	Fırça motorunun dönüşüne engel olan şeyi kontrol edin ve akım kesiciyi eski haline getirin
	Akım doğrultucu yanmış	Viper distribütörü ile irtibata geçin
	Kablo arızası	Viper distribütörü ile irtibata geçin
	Fırça motoru arızası	Viper distribütörü ile irtibata geçin
	Karbon fırçalar eskimiş	Viper distribütörü ile irtibata geçin
	Selenoid arızası	Viper distribütörü ile irtibata geçin
Vakum motoru çalışmıyor	Vakum anahtarı arızası	Viper distribütörü ile irtibata geçin
	Kablo arızası	Viper distribütörü ile irtibata geçin
	Vakum motoru arızası	Viper distribütörü ile irtibata geçin
	Karbon fırçalar eskimiş	Viper distribütörü ile irtibata geçin
Kısa çalışma süresi	Bataryaların şarj edilmesi gerekiyor	Bataryaları şarj edin (bakınız Batarya Şarj Etme)
	Bataryalara bakım yapılması gerekiyor	Bu kılavuzdaki Batarya Bakımı bölümüne bakın
	Bataryalarda hücre(ler) arızalı	Bataryaları değiştirin
	Şarj cihazı arızası	Şarj cihazını değiştirin
Solüsyon akışı az veya yok	Solüsyon anahtarı arızası	Viper distribütörü ile irtibata geçin
	Tıkanık solüsyon selonoidi	Viper distribütörü ile irtibata geçin
	Tıkanık solüsyon filtresi	Filtreyi çıkarıp temizleyin
	Solüsyon hattı tıkalı	Solüsyon hattını çıkarıp temizleyin
	Solüsyon akış ayar düğmesinin ayarlanması gerekiyor	Solüsyon akış düğmesini sağa çevirerek akımı artırın. Solüsyon akış düğmesini sola çevirerek akımı azaltın.
Suyu zayıf çekme	Silecek tıkalı	Silecekteki artıkları nemli havlu ile temizleyin
	Silecek bıçakları eski	Yeni silecek bıçakları takın
	Silecek düzgün takılmamış	Sileceğin makineye emniyetli bir şekilde takıldığından ve gevşek olmadığından emin olun.
	Vakum borularında delik var veya gevşek	Hortum bağlantılarını kontrol edin ve sıkı olduklarından emin olun. Eğer hasarlı ise hortumu değiştirin.
	Vakum hortumu tıkalı olabilir	Hortumda artık olup olmadığını kontrol edin ve tıkanıklığı gidirin.
	Boşaltma hortum durdurucusu gevşek	Boşaltma fişini sıkıştırın.
	Bataryaların şarj edilmesi gerekiyor	Bataryaları şarj edin (bakınız Batarya Şarj Etme)
	Vakum motoru gevşek	Vakum motor monte vidalarını sıkıştırın. Aşırı sıkarsanız hasar meydana gelir.

SORUN	SEBEP	ÇÖZÜM
	Geri kazanım tank kapağı gevşek	Geri kazanım tank kapağının emniyetli bir şekilde takılı olduğundan emin olun.
	Geri kazanım tank giriş deliği tıkalı	Geri kazanım tankını boşaltın ve tankı yana yatırın. Giriş deliğinde tıkanıklık olup olmadığını kontrol edin varsa temizleyin.
	Geri kazanım tankı dolu	Geri kazanım tankını boşaltın.
	Yüzen kapatma düzeneği tıkalı	Yüzen kapatma düzeneğini geri kazanım tankı içerisinden çıkarın ve tıkanıklığı giderin.

## DEPOLAMA

	<b>DİKKAT!</b> Eğer makinenizi donmaya sebep olabilecek bir alanda depoluyorsanız tank ve solüsyon pompasında su olmadığından ve kuru olduklarından emin olun!
---	---

- Aygıtı donmadan korunan, kuru bir yere bırakın.
- Makinenin saklama sıcaklığı 0°C ile +40°C arasında olmalıdır.
- Makineyi daima bina içerisinde saklayınız.
- Her zaman keçe sürücüsünü / fırçayı çıkarın
- Her zaman makineyi sileceği yerden yüksek pozisyonda bırakın.
- Eğer donmanın oluşabileceği bir alanda depoluyorsanız depolama öncesi makineden tüm sıvıların boşaltıldığından emin olun. Donma nedeniyle meydana gelen hasarlar garanti kapsamında değildir.
- Geri kazanım tankını boşaltın ve üzerindeki kapağı açık bırakın ki depolama esnasında “nefes” alsın.
- Solüsyon tankındaki tüm sıvıları boşaltın.

## TEMİZLEYİCİNİN GERİ DÖNÜŞÜMÜ

Eski temizleyiciyi hemen kullanılamaz hale getirin:

- Bataryaları çıkarın
- Elektriksel aygıtları ev atıklarıyla beraber elden çıkarmayın.



Eskimiş Elektrikli ve Elektronik Aygıtlar Hakkındaki Avrupa Direktifi 2002/96/EC'de belirtildiği şekilde kullanılmış elektrikli mallar ayrı bir şekilde toplanmalı ve ekolojik olarak geri kazanılmalıdır. Daha fazla bilgi için yerel yetkililer veya en yakın satıcınıza danışın.



**ÜRETİCİ FİRMA:**

Viper Cleaning Equipment Co. Ltd.  
Viper Industrial Estate  
Liangbian, Liaobu,  
Dongguan, Guangdong  
Çin Halk Cumhuriyeti  
Tel: +86-769 83283988  
Fax: +86-769-8328 0104

**İTHALATÇI FİRMA:**

Nilfisk Prof. Tem. Ek. Tic. A.Ş.  
Şerifali Mah. Bayraktar Blv. Şehit Sk. No:7,  
34775 Ümraniye İstanbul, Türkiye  
Tel : +90 216 466 94 94  
Faks : +90 216 527 30 32  
www.nilfisk.com.tr

**ÜRETİM YERİ:**

ÇİN HALK CUMHURİYETİ

**KULLANIM ÖMRÜ:**

Cihazın kullanım ömrü 10 yıldır.

**ATIK ELEKTRİKLİ ELEKTRONİK  
EŞYALAR (AEEE) YÖNETİMİ:**

Satın almış olduğunuz bu ürün, AEEE yönetmeliğine uygundur.

## TÜKETİCİNİN SEÇİMLİK HAKLARI

Malın ayıplı olduğunun anlaşılması durumunda tüketici, 6502 sayılı Tüketicinin Korunması Hakkında Kanununun 11 inci maddesinde yer alan;

- a- Sözleşmeden dönme,
- b- Satış bedelinden indirim isteme,
- c- Ücretsiz onarılmasını isteme,
- ç- Satılanın ayıpsız bir misli ile değiştirilmesini isteme, haklarından birini kullanabilir.

**Tüketicinin bu haklardan ücretsiz onarım hakkını** seçmesi durumunda satıcı; işçilik masrafı, değiştirilen parça bedeli ya da başka herhangi bir ad altında hiçbir ücret talep etmeksizin malın onarımını yapmak veya yaptırmakla yükümlüdür. Tüketici ücretsiz onarım hakkını üretici veya ithalatçıya karşı da kullanabilir. Satıcı, üretici ve ithalatçı tüketicinin bu hakkını kullanmasından müteselsilen sorumludur.

Tüketicinin, **ücretsiz onarım hakkını** kullanması halinde malın;

- Garanti süresi içinde tekrar arızalanması,
- Tamiri için gereken azami sürenin aşılması,
- Tamirinin mümkün olmadığının, yetkili servis istasyonu, satıcı, üretici veya ithalatçı tarafından bir raporla belirlenmesi durumlarında; **tüketici malın bedel iadesini, ayıp oranında bedel indirimini veya imkân varsa malın ayıpsız misli ile değiştirilmesini** satıcıdan talep edebilir.

Satıcı, tüketicinin talebini reddedemez. Bu talebin yerine getirilmemesi durumunda satıcı, üretici ve ithalatçı müteselsilen sorumludur.

Satıcı tarafından **Garanti Belgesinin** verilmemesi durumunda, tüketici **Gümrük ve Ticaret Bakanlığı Tüketicinin Korunması ve Piyasa Gözetimi Genel Müdürlüğüne** başvurabilir.

Tüketici, çıkabilecek uyuşmazlıklarda şikayet ve itirazları konusundaki başvuruları yerleşim yerinin bulunduğu veya tüketici işleminin yapıldığı yerdeki **Tüketici Hakem Heyetine veya Tüketici Mahkemesine** başvurabilir.

## OBSAH

ÚVOD.....	196
ÚČEL TOHOTO NÁVODU A OBSAH.....	196
ZAMĚŘENÍ.....	196
JAK ZACHÁZET S TÍMTO NÁVODEM.....	196
PROHLÁŠENÍ O SHODĚ.....	196
IDENTIFIKAČNÍ ÚDAJE.....	196
OSTATNÍ REFERENČNÍ NÁVODY.....	196
NÁHRADNÍ DÍLY A ÚDRŽBA.....	196
ZMĚNY A VYLEPŠENÍ.....	196
ÚČEL A POUŽITÍ STROJE.....	196
KONVENCE.....	197
ROZBALOVÁNÍ/DODÁVKA.....	197
BEZPEČNOST.....	197
POUŽITÉ SYMBOLY.....	197
OBECNÉ INSTRUKCE.....	198
POPIS STROJE.....	201
SLOŽENÍ STROJE.....	201
PŘÍSLUŠENSTVÍ/MOŽNOSTI.....	202
SCHÉMA ZAPOJENÍ (FANG20HD-EU).....	204
POUŽITÍ.....	205
PŘED UVEDENÍM STROJE DO PROVOZU.....	205
BĚHEM PROVOZU STROJE.....	208
ÚDRŽBA.....	211
DENNÍ ÚDRŽBA.....	211
TÝDENNÍ ÚDRŽBA.....	211
MĚSÍČNÍ ÚDRŽBA.....	211
KONTROLA A VÝMĚNA LISTU STĚRKY.....	212
ČIŠTĚNÍ KARTÁČE/PODLOŽKY.....	213
ŘEŠENÍ PROBLÉMŮ.....	213
SKLADOVÁNÍ.....	214
RECYKLACE STROJE.....	214

## ÚVOD



### POZNÁMKA

Čísla v závorkách se vztahují k součástem uvedeným v kapitole “Popis stroje”.

## ÚČEL TOHOTO NÁVODU A OBSAH

Účelem tohoto návodu je poskytnout provozovateli veškeré informace nezbytné pro správné používání stroje bezpečným a samostatným způsobem. Obsahuje informace o technických údajích, bezpečnosti, provozu, skladování, údržbě, náhradních dílech a likvidaci. Před započatím používání stroje si provozovatelé a kvalifikovaní technici musí pečlivě přečíst tento návod k obsluze. V případě pochybností týkajících se instrukcí a pro jakékoliv další informace kontaktujte společnost Viper.

## ZAMĚŘENÍ

Tento návod je určen pro provozovatele a technické pracovníky kvalifikované k provádění údržby stroje.

Provozovatelé nesmí provádět úkony vyhrazené pro kvalifikované technické pracovníky. Společnost Viper neponese zodpovědnost za škody zapříčiněné nedodržením zákazu.

## JAK ZACHÁZET S TÍMTO NÁVODEM

Návod k obsluze musí být uložen v blízkosti stroje, náležitě uzavřen, mimo dosah tekutin a jiných látek, které by ho mohly poškodit.

## PROHLÁŠENÍ O SHODĚ

Prohlášení o shodě dodávané s strojem prokazuje, že stroj odpovídá platným zákonným předpisům.



### POZNÁMKA

Společně s dokumentací stroje jsou dodávány dvě kopie originálu Prohlášení o shodě. ES prohlášení o shodě je vytištěno ve Stručném návodu k obsluze.

## IDENTIFIKAČNÍ ÚDAJE

Model stroje a sériové číslo jsou vyznačeny na štítku.

Tato informace je užitečná v případě pořizování náhradních dílů. Pro zapsání identifikačních údajů o stroji použijte následující tabulku.

STROJ model .....
-------------------

STROJ sériové číslo.....
--------------------------

## OSTATNÍ REFERENČNÍ NÁVODY

- Návod na údržbu (může být konzultován v servisních střediscích Viper)
- Seznam náhradních dílů (viz [www.vipercleaning.eu](http://www.vipercleaning.eu))

## NÁHRADNÍ DÍLY A ÚDRŽBA

Všechny potřebné provozní operace, údržba a opravy musí být prováděny pouze kvalifikovaným personálem nebo servisními středisky Viper. Používány musí být pouze originální součásti a příslušenství Viper. Pro servis nebo objednávku náhradních dílů a příslušenství kontaktujte Viper; udávejte vždy model stroje a sériové číslo.

## ZMĚNY A VYLEPŠENÍ

Společnost Viper neustále zlepšuje své produkty a vyhrazuje si právo provádět změny a vylepšení dle svého uvážení bez povinnosti poskytovat takovéto výhody pro stroje, které již byly prodány.

Jakékoliv změny a/nebo přidávání příslušenství musí být schváleny a provedeny společností Viper.

## ÚČEL A POUŽITÍ STROJE

Všechny automatické čisticí stroje jsou určeny výhradně pro mokré čištění vodě odolných podlahových krytin v interiérech budov.

Automatické čisticí stroje nelze použít pro čištění kobereců položených na podlaze.

Tento stroj je vhodný pro komerční využití, například v hotelích, školách, nemocnicích, továrnách, obchodech, kancelářích a Pronajímaných prostorech.

Jakékoli jiné použití je považováno za nesprávné použití. Výrobce nenesе žádnou odpovědnost za jakékoli škody vyplývající z takového způsobu použití. Riziko v takovém případě nese výhradně uživatel.

Ke správnému patří také dodržování výrobce stanovených podmínek provozu, údržby a oprav.

Změny provedené uživatelem na automatických strojích tím vylučují ručení výrobce za jakékoliv škody z nich vyplývající.

Před použitím tohoto stroje se přesvědčte, zda jsou podlahové krytiny pro zvolený způsob čištění vhodné!

Dávejte pozor na zvětšený tlak, který může stroj vyvíjet na elastických podlahách, například v tělocvičnách!

Výrobce nenesе žádnou odpovědnost za škody na stroji a podlahových krytinách, které vzniknou použitím špatných kartáčů a čisticích prostředků.

## KONVENCE

Funkce dopředu, dozadu, přední, zadní, levá nebo pravá strana a nahoru jsou řešeny s ohledem na pozici obsluhující osoby, tj. v pracovní pozici.

## ROZBALOVÁNÍ/DODÁVKA

Při rozbalování stroje dbejte instrukcí na obalu.

Při dodávce stroje zkontrolujte, zda balení ani stroj nebyly během přepravy poškozeny. V případě viditelných poškození si balík ponechte a nechejte jej zkontrolovat dopravcem, který ho dodal. Požádejte dopravce o vyplnění stížnosti na poškození.

Zkontrolujte, zda je v dodaném balíku následující:




- stroj
- sací tryska
- talíř s kartáčem (hnací talíř na podložku)

## BEZPEČNOST

Následující symboly označují potenciálně nebezpečné situace. Vždy si tyto informace pozorně přečtěte a dodržujte veškerá nezbytná opatření pro ochranu osob a majetku.

Spolupráce provozovatele je podstatná při prevenci zranění. Žádný program prevence nehod není efektivní bez úplné spolupráce osoby odpovědné za provoz stroje. Většina nehod, které mohou nastat v továrně, při práci nebo pohybu kolem, je způsobena Nedodržením jednoduchých zásad opatrnosti. Opatrný a obezřetný provozovatel je nejlepší zárukou předcházení nehodám, což je zásadní pro úspěšné plnění jakéhokoli programu prevence.

## POUŽITÉ SYMBOLY

	<p><b>NEBEZPEČÍ!</b></p> <p>Nebezpečí, které vede přímo k vážnému nebo nevratnému zranění, či dokonce smrti.</p>
	<p><b>VAROVÁNÍ!</b></p> <p>Nebezpečí, které může vést k vážným zraněním nebo i smrti.</p>
	<p><b>POZOR!</b></p> <p>Nebezpečí, které může vést k lehkým zraněním a poškozením.</p>

**POZNÁMKA**

Vztahuje se k důležitým nebo užitečným funkcím.

**OBECNÉ INSTRUKCE**

Níže jsou uvedena zvláštní varování a upozornění informující o případných poškozeních týkajících se osob a strojů.

Stroj:

- Musí být používán pouze osobami, které byly poučeny o jeho správném použití a které byly výslovně pověřeny jeho obsluhou
- Musí být provozován pouze pod dohledem
- Nesmí být používán dětmi

Pracoviště se nalézá za strojem.

Nepoužívejte žádné nebezpečné pracovní postupy.

Stroj vždy ved'te oběma rukama za rukojeť oje.

Při nečinnosti stroje ihned vypněte kartáčovou jednotku, aby nedošlo k poškození podlahové krytiny.

Stroj je nutno vypnout a vytáhnout ze zásuvky za následujících situací:

- Před čištěním a údržbou
- Před výměnou náhradních dílů
- Před změnou ve vybavení stroje

Provoz stroje podléhá národním předpisům. Při použití stroje je nutno kromě provozního návodu a závazných předpisů bezpečnosti platných v dané zemi respektovat i uznávané zásady o bezpečnosti a způsobilosti práce.

**PŘEPRAVA**

Při přepravě stroje ve výtazích

- je nutno dodržovat platné bezpečnostní předpisy, zejména s ohledem na nosnost.

**POUŽITÍ**

Aby se předešlo nepovolenému použití stroje, vypněte zdroj energie nebo ho uzamkněte například vyjmutím klíče silnoprůdého spínače.

Přijměte veškerá nezbytná opatření, abyste zabránili zachycení vlasů, šperků a volného oblečení pohyblivými částmi stroje.

Před použitím stroje zavřete všechny dveře a/nebo kryty.

Pracovní teplota stroje se musí pohybovat mezi 0°C a +40°C.

Vlhkost vzduchu musí být mezi 30% a 95%.

Stroj nepoužívejte jako dopravní prostředek.

V případě požáru použijte práškový hasicí stroj. Nehaste vodou.

S bezpečnostními prvky stroje svévolně nemanipulujte a postupujte přesně podle obvyklých pokynů pro údržbu.

Nedovolte, aby se jakékoliv předměty dostaly do otvorů. Stroj nepoužívejte, pokud jsou otvory ucpané. Otvory vždy udržujte bez prachu, vlasů a jiných cizích materiálů, které by mohly snížit tok vzduchu.

Nesnímejte ani neupravujte desky upevněné k stroji.

Pokud je stroj používán v souladu s pokyny, vibrace nejsou nebezpečné. Vibrace stroje jsou menší než 2,5 m/s<sup>2</sup> (98/37/EEC-EN 1033/1995).

Vibrace, které při práci působí na ruce, jsou mnohem menší než 2,5 m/s<sup>2</sup> (měřeno podle ISO 5349), což odpovídá omezení na 8 hodin nepřetržité práce.

Tento stroj nelze používat na silnicích a veřejných komunikacích.

Stroje Viper mohou být použity v kombinaci se standardními čisticími prostředky, které nemohou poškodit žádné materiály stroje (nepoužívat rozpouštědla nebo jiné agresivní tekuté materiály). Společnost Viper nenesе žádnou zodpovědnost za



poškození v důsledku použití agresivních čisticích prostředků. Pokud pro čištění potřebujete speciální čisticí prostředek, obraťte se prosím

Na svého prodejce produktů Viper. Při přepravě stroje dávejte pozor při teplotách pod bodem mrazu. Voda v nádrži nebo v hadicích by mohla zmrznout a vážně stroj poškodit.

## ÚDRŽBA

Pro zajištění správného a bezpečného provozu stroje je v příslušné kapitole tohoto návodu uvedena plánovaná údržba, kterou smí provádět pouze autorizovaní pracovníci nebo servisní středisko Viper.

Před provedením údržby/oprav si pečlivě přečtěte všechny pokyny.

Nepracujte pod zdviženým strojem, pokud není upevněn na bezpečnostních stojanech.

Stroj nemyjte hadicí nebo tlakovými vodními tryskami či korozními substancemi.

## ZÁRUKA

Na poskytování záruky se vztahují naše všeobecné obchodní podmínky.

Svévolné změny na stroji, použití nesprávných kartáčů a čisticích prostředků a použití stroje pro jiné než určené účely vylučují ručení výrobce za škody z nich vyplývající.

## ZKOUŠKY A POVOLENÍ

Elektrotechnické zkoušky musí být provedeny v souladu s ustanoveními bezpečnostních předpisů (BGV A3) a podle DIN VDE 0701 část 1 a část 3. Tyto zkoušky jsou podle DIN VDE 0702 žádoucí v pravidelných intervalech a po opravách nebo změnách.

## ELEKTRICKÉ KOMPONENTY



### NEBEZPEČÍ

Baterie.

Nebezpečí výbuchu.

- Při nabíjení baterie vzniká vysoce výbušný plyný vodík. Nádrž musí být během napájení baterie otevřená. Nabíjení je třeba provádět v dobře ventilovaném prostoru bez výskytu otevřeného plamene.
- Aby nedošlo k požáru, zásahu elektrickým proudem nebo zranění, neopouštějte stroj bez dozoru, když je kabel zapojený do sítě. Odpojte stroj od hlavního přívodu energie, pokud není používán a před jeho údržbou.
- Během nabíjení baterie je zakázáno kouřit.
- Použitím jiných než originálních náhradních dílů a příslušenství může dojít ke snížení bezpečnosti stroje. Používejte pouze originální náhradní díly a příslušenství Viper a baterie a nabíječky doporučené společností Viper. Na použití neschválených a nedoporučených baterií, nabíječek se záruka nevztahuje. Společnost VIPER neručí za případné škody vzniklé v důsledku nedodržování těchto pokynů.



### POZOR

Nabíjecí zařízení

Nebezpečí úrazu elektrickým proudem v důsledku vadných přívodů k bateriím nebo nabíječkám.

Nedotýkejte se poškozeného síťového kabelu, mohlo by dojít k těžkým či smrtelným zraněním.

- Baterie nesmí být v blízkosti otevřeného ohně, jisker, plamenů a hořlavého materiálu. Během normálního provozu unikají z baterie výbušné plyny.
- Před použitím nabíječky zkontrolujte, zda napětí a kmitočet sítě odpovídají údajům na štítku se sériovým číslem stroje.
- Nikdy se nesnažte poškodit elektrickou přípojku (např. přejížděním přes ni, taháním nebo trháním).
- Pravidelně kontrolujte síťový kabel, zda není poškozen nebo nevykazuje známky opotřebení.
- Před dalším použitím stroje požádejte servis společnosti Viper nebo kvalifikovaného elektrikáře o výměnu poškozeného síťového kabelu.

- Stroj se nesmí tahat nebo přenášet za přívodní kabel nebo kabel používat jako rukojeť.
- Nepřivírejte napájecí kabel do dveří, netahejte napájecí kabel kolem ostrých rohů nebo okrajů. Napájecí kabel nabíječky držte mimo dosah horkých ploch.
- Baterie nenabíjejte, pokud je kabel nabíječky nebo konektor poškozený. Pokud stroj nefunguje správně, je poškozen, byl ponechán venku nebo byl upuštěn do vody, vraťte ho servisnímu středisku.

## SCHODY A STOUPAVÉ ÚSEKY



### POZOR

Na schodech a stoupavých úsecích hrozí nebezpečí převrnutí a uklouznutí.

Při překonávání schodů a stoupavých úseků hrozí nebezpečí zranění a vzniku materiálních škod.

- Nejezděte po schodech.
- Stroj používejte pouze na rovných plochách s maximálním stoupáním do 2 %.

## PODLAHOVÉ KRYTINY



### POZOR

Poškození citlivých podlahových krytin.

Zvláště citlivé podlahové krytiny by se mohly při čištění poškodit.

- Před použitím stroje zkontrolujte, zda jsou podlahové krytiny pro daný způsob čištění vhodné.
- Dejte si pozor na tlak, který může stroj vyvíjet na elastických podlahách, např. v tělocvičnách.
- Používejte pouze čisticí prostředky schválené společností Viper.

## ZDRAVÍ ŠKODLIVÉ MATERIÁLY



### VAROVÁNÍ

Zdraví škodlivé materiály v podlahových krytinách.

V podlahových krytinách mohou být obsaženy zdraví škodlivé materiály, které se mohou během čištění začít uvolňovat.

- Nečistěte podlahové krytiny, z nichž by se mohly začít uvolňovat zdraví škodlivé prachové substance nebo tekutiny.

## NEBEZPEČÍ EXPLOZE



### VAROVÁNÍ

Hořlavé a výbušné látky.

V explozivních prostředích, kde jsou uchovávány hořlavé a explozivní materiály, hrozí nebezpečí exploze.

- Nepoužívejte stroj blízko nebezpečných, hořlavých a/či explozivních prachových, tekutých materiálů či výparů.

## NÁHRADNÍ DÍLY A PŘÍSLUŠENSTVÍ



### POZOR

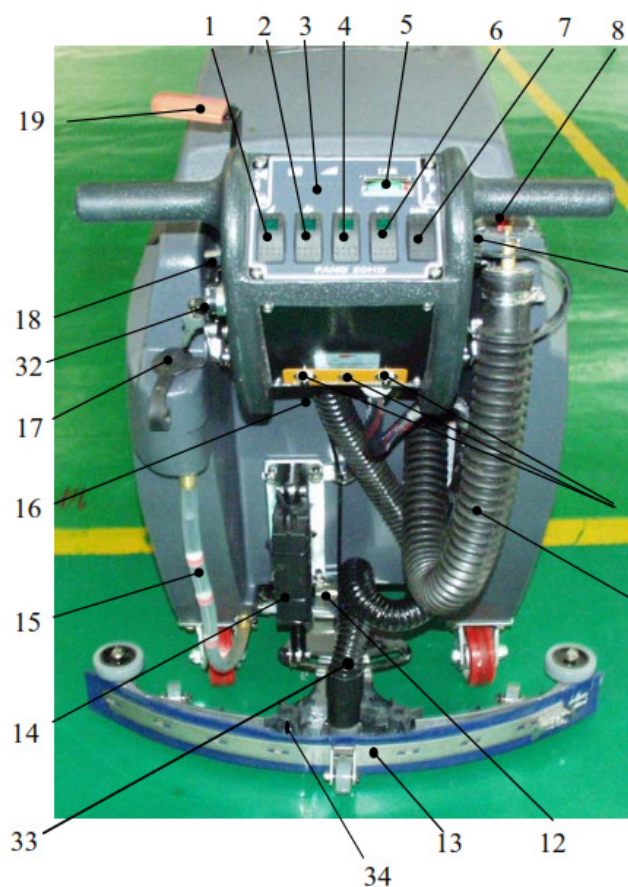
Součástky od jiných výrobců a nevhodné čisticí prostředky.

Použití součástek od jiných výrobců, nevhodných čisticích prostředků může stroj poškodit či snížit jeho bezpečnost.

- Používejte pouze náhradní díly a příslušenství od společnosti Viper.
- Používejte pouze příslušenství a čisticí prostředky dodávané s strojem nebo specifikované v návodu k obsluze.

## POPIS STROJE

## SLOŽENÍ STROJE



1. Hlavní vypínač ON/OFF
2. Spínač sacího systému ON/OFF
3. Kontrolka stavu baterie
4. Spínač motoru kartáčů ON/OFF
5. Indikace přítlaku kartáčů
6. Spínač čisticího prostředku ON/OFF
7. Spínač přítlaku kartáčů UP/DOWN
8. Dávkování čisticího prostředku
9. Regulátor rychlosti
10. Jističe
11. Odtoková hadice nádrže na čistou vodu
12. Matice a hřídel pro nastavení sací trysky
13. Sací tryska
14. Nastavení sací trysky
15. Měrka hladiny nádrže s čisticím přípravkem

16. Páčky pro nastavení řízení
17. Zadní otvor pro plnění čisticího prostředku
18. Zpátečka
19. Pedál pro zvednutí sací trysky
20. Kontrolní panel
21. Řídicí spouště
22. Nádrž s čisticím přípravkem
23. Zadní kolečka
24. Transportní kola
25. Jednotka kartáčů
26. Zástěrky kartáčů
27. Blokování zástěrek
28. Ochranné válečky
29. Přední otvor pro plnění čisticího prostředku
30. Nádrž na obnovení vody
31. Víko nádrže na čistou vodu
32. Spínací skříňka
33. Sací hadice
34. Rukojeť k upevnění sací trysky

Rukojeť k upevnění sací trysky

## PŘÍSLUŠENSTVÍ/MOŽNOSTI

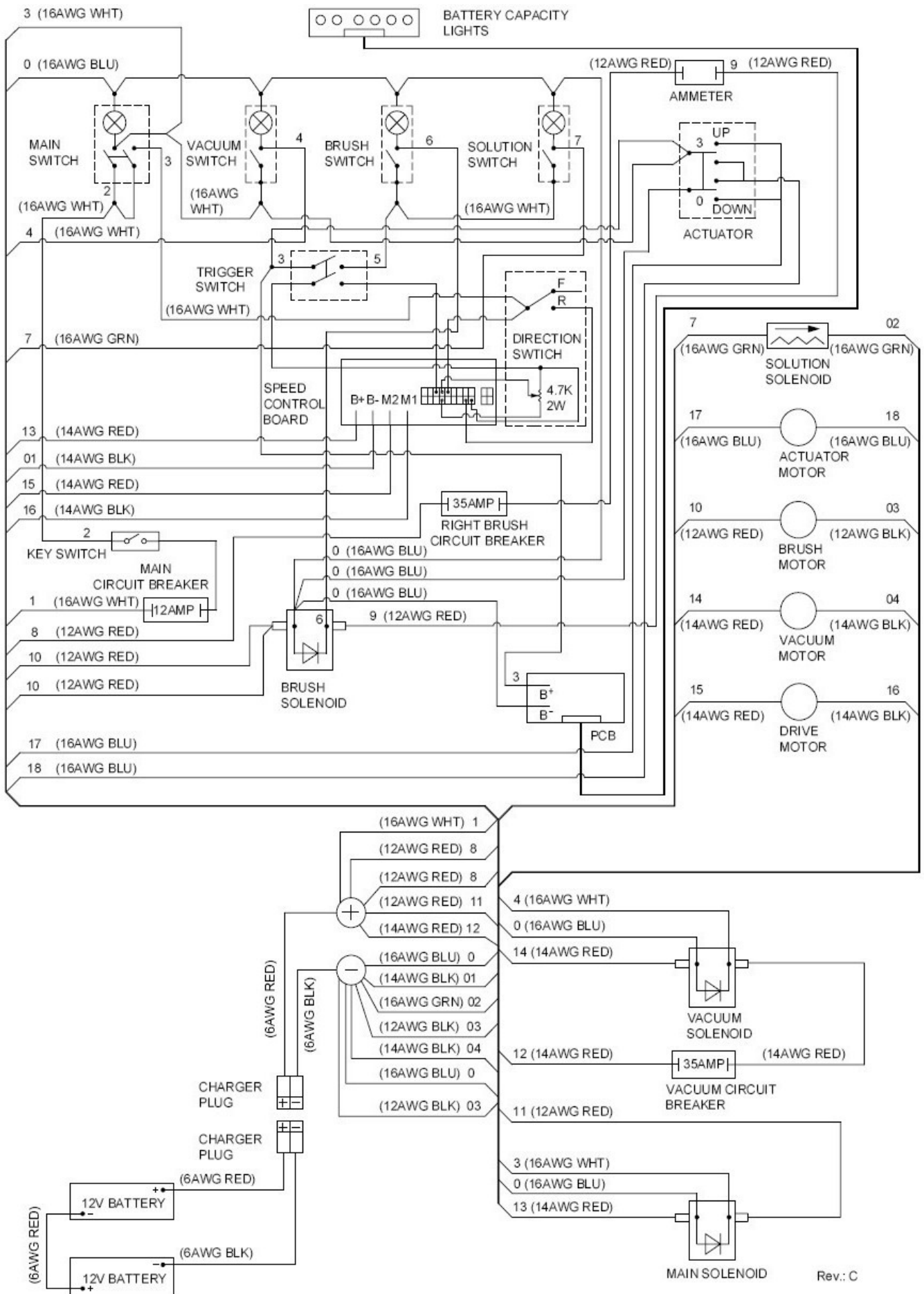
Kromě standardních dílů může být stroj vybaven následujícím příslušenstvím/možnostmi, v závislosti na specifickém použití stroje:

- Kartáč
- Hnací talíř na podložku

Pro další informace týkající se volitelného příslušenství se obraťte na autorizovaného prodejce.

## TECHNICKÉ ÚDAJE

Model		<b>FANG 20HD-EU (1 držák kartáčů/podložky, s hnacím systémem)</b>
Výška stroje	mm	990
Kapacita nádrže čisticího prostředku/čistě	l	61
Kapacita nádrže na obnovu vody	l	61
Průměr předního kola	mm	76
Průměr zadního kola	mm	200
Příkon motoru sacího systému	W	400
Příkon motoru řídicího systému	W	250
Rychlost (proměnlivá)	km/h	0 – 4.5
Stoupavost	%	2
Hladina akustického tlaku na pracovišti	dB(A)	69
Standardní baterie	Ah @ 20 h	2 x 12V/215AmP.hR
Kapacita okruhu sacího systému	mm H <sub>2</sub> O	1.397
Šířka čištění	mm	510
Šířka sací trysky	mm	750
Maximální délka stroje	mm	1.350
Maximální šířka stroje bez sací trysky	mm	560
Průměr kartáče	mm	510
Hmotnost bez baterií a prázdnými nádržemi	kg	107
Maximální hmotnost bez baterií a plnými	kg	181
Příkon motoru kartáče	W	560
Rychlost kartáče	rpm	200
Přítlak kartáče/podložky	kg	UP TO91



Rev.: C



## SCHÉMA ZAPOJENÍ (FANG20HD-EU )

SCHÉMA ZAPOJENÍ (FANG20HD-EU)

Barevné kódy


BLK	Černá
BLU	Modrá
GRU	Zelená
RED	Červená
WHT	Bílá

1	BATTERY CAPACITY LIGHTS	KONTROLKY BATERIE
2	MAIN SWITCH	HLAVNÍ VYPÍNAČ
3	VACUUM SWITCH	SPÍNAČ SACÍHO SYSTÉMU
4	BRUSH SWITCH	SPÍNAČ MOTORU KARTÁČE
5	SOLUTION SWITCH	SPÍNAČ ČISTICÍHO ROZTOKU
6	AMMETER	AMPÉRMETR
7	ACTUATOR	SERVOPOHON
8	TRIGGER SWITCH	PŘEPÍNAČ
9	SPEED CONTROL BOARD	REGULÁTOR RYCHLOSTI
10	DIRECTION SWITCH	SPÍNAČ SMĚRU JÍZDY
11	RIGHT BRUSH CIRCUIT BREAKER	JISTIČ PRAVÉHO KARTÁČE
12	KEY SWITCH	SPÍNAČ OVLÁDANÝ KLÍČKEM
13	MAIN CIRCUIT BREAKER	HLAVNÍ JISTIČ
14	BRUSH SOLENOID	MAGNETICKÝ VENTIL KARTÁČE
15	PCB	DESKA ŘÍZENÍ
16	SOLUTION SOLENOID	MAGNETICKÝ VENTIL ROZTOKU
17	ACTUATOR MOTOR	SERVOMOTOR
18	BRUSH MOTOR	MOTOR KARTÁČE
19	VACUUM MOTOR	MOTOR SÁNÍ
20	DRIVE MOTOR	HNACÍ MOTOR
21	VACUUM SOLENOID	MAGNETICKÝ VENTIL SÁNÍ
22	VACUUM CIRCUIT BREAKER	JISTIČ MOTORU SÁNÍ
23	MAIN SOLENIOD	HLAVNÍ MAGNETICKÝ VENTIL
24	CHARGER PLUG	KONEKTOR NABÍJEČKY BATERIE
25	BATTERY	BATERIE




## POUŽITÍ

### PŘED UVEDENÍM STROJE DO PROVOZU

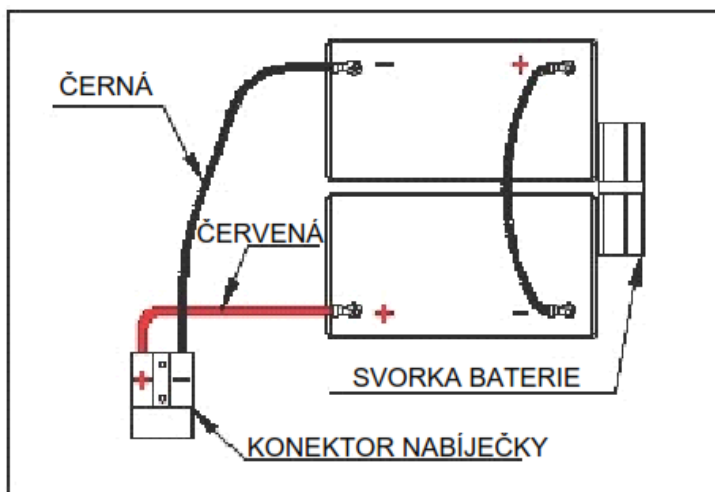
	<p><b>VAROVÁNÍ!</b> Na některých místech stroje jsou umístěny samolepící štítky označující: NEBEZPEČÍ VAROVÁNÍ POZOR DOPORUČENÍ</p>
---	---

Při čtení tohoto Návodu musí provozovatel věnovat pozornost symbolům na štítcích. Tyto štítky z žádného důvodu nezakrývejte a v případě poškození je okamžitě vyměňte.

### MONTÁŽ BATERIE

	<p><b>VAROVÁNÍ!</b> Elektrické části stroje se mohou poškodit v důsledku špatně namontovaných nebo připojených baterií. Baterie smí připojit pouze kvalifikované osoby.</p> <ul style="list-style-type: none"> <li>➤ Nastavte desku řízení a nabíječku baterií (volitelné) podle druhu používané baterie (KAPALNÉ nebo GELOVÉ).</li> <li>➤ Před montáží zkontrolujte, zda není baterie poškozená.</li> <li>➤ Zapojte konektor nabíječky a zástrčku síťového přívodu do zásuvky.</li> <li>➤ S bateriemi zacházejte velmi opatrně.</li> <li>➤ Namontujte ochranné kryty pólů dodávané s strojem.</li> </ul>
---	---

Stroj vyžaduje dvě 12 V baterie, které zapojíte dle následujícího schématu:



Stroj není dodáván s bateriemi. Baterie (KAPALNÉ nebo GELOVÉ) si můžete objednat také od společnosti Viper.

- Kupujte vhodné baterie (viz odstavec Technické údaje).
  - Pro správný výběr a montáž baterií kontaktujte kvalifikovaného prodejce baterií.
  - Nastavte nabíječku a stroj podle použitého typu baterií (KAPALNÉ nebo GELOVÉ), jak je uvedeno v následujícím odstavci.
- a) Jsou-li baterie (KAPALNÉ nebo GELOVÉ) již instalovány a připraveny k použití
- Zkontrolujte, zda jsou baterie připojeny k stroji pomocí konektoru nabíječky.
  - Vložte klíč k zapalování (32) a otočte jím do polohy “on”.  
Rozsvítí-li se zelená kontrolka (3), baterie jsou připraveny k použití.  
Rozsvítí-li se žlutá nebo červená kontrolka (3), baterie se musí nabít (viz postup v kapitole Údržba).
- b) Pokud jsou baterie (KAPALNÉ) v stroji instalovány, ale bez elektrolytu
- Otevřete krytku (31) a zkontrolujte, že je nádrž pro obnovu vody (30) prázdná, popř. ji vyprázdněte pomocí odtokové hadice (11).
  - Opatrně zvedněte nádržku (30).

**VAROVÁNÍ!**

Při použití kyseliny sírové dávejte pozor, protože je vysoce korozivní. Pokud dojde ke kontaktu s kůží nebo očima, důkladně je vypláchněte vodou a ihned vyhledejte lékařskou pomoc.

Baterie musí být plněny v dobře větraném prostoru. Chraňte se ochrannými rukavicemi.

- Naplňte buňky baterie kyselinou sírovou (hustota 1,27 až 1,29 kg při 25°C) podle pokynů v manuálu baterie. Správné množství kyseliny sírové je zobrazeno v manuálu baterie.
- Aby nedošlo k poškození podlahy, po nabití osušte baterie látkou.
- Nechte baterie chvíli odstat a naplňte je kyselinou sírovou podle pokynů v manuálu baterie.
- Nabíjte baterie (viz postup v kapitole Údržba).

**NASTAVENÍ NABÍJEČKY**

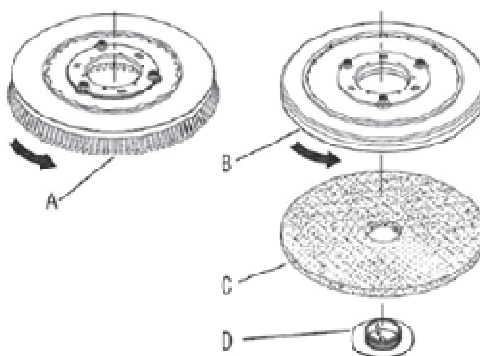
- Výchozí tovární nastavení nabíječky je běžná pozice pro AGM, Gel, SLA, VRLA
- V případě potřeby použijte pozici WET pouze pro olověné baterie. Prosím kontaktujte prodejce.

**PŘED UVEDENÍM STROJE DO PROVOZU**

- Vyčistěte okolí stroje.
- Ujistěte se, že napětí stroje souhlasí s místním napětím.
- Zkontrolujte, zda je sací tryska správně namontována.
- Zkontrolujte, zda je kartáč/podložka správně namontována.

**MONTÁŽ DRŽÁKU PODLOŽKY NEBO KARTÁČE**

- Ujistěte se, že je stroj vypnutý.
- Sešlápněte pedál k podlaze a dopředu a spusťte jednotku kartáčů na podlahu.
- Naklopte stroj dozadu, čímž získáte přístup k hnacímu náboji.

**POZNÁMKA**

Před sklopením stroje dozadu odejměte sací trysku. Postup se tak urychlí a zjednoduší.

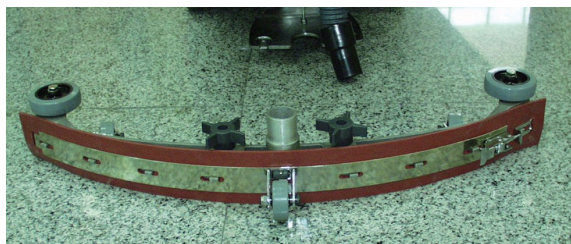
**VAROVÁNÍ!**

Nenechávejte příliš dlouho nakloněný dozadu. Mohlo by dojít k úniku elektrolytu z baterií.

- Pokud používáte podložku, je třeba ji nejdříve namontovat na hnací talíř.
- Upevněte talíř nebo podložku na hnací náboj. Tyto tři bloky musí být vyrovnány s otvory náboje. Je-li kartáč vyrovnán, otočte jej až k pružinovému dorazu, čímž se zafixuje.

**MONTÁŽ SACÍ TRYSKY**

- Sklopte páčku sací trysky dozadu, aby se nadzvedl držák trysky.
- Uvolněte obě rukojeti na sací trysce a zasuňte trysku do drážek na zadní straně držáku trysky. Kolečka sací trysky směřují dozadu.
- Utáhněte rukojeti



## PLNĚNÍ NÁDRŽE ČISTICÍHO PROSTŘEDKU

Model Fang 20HD-EU se může plnit dvěma způsoby:

- a. Předním plnicím otvorem hadicí nebo kbelíkem.
- b. Zadním plnicím otvorem hadicí.
  - Vyberte příslušný plnicí otvor, kterým chcete nalít vodu.
  - Naplňte nádrž max. 52 litry vody. (Teplota vody by neměla překročit 40° C). Hladinu naplnění ukazuje průhledná hadička na zadní straně vlevo.



### POZNÁMKA

Pokud nádrž plníte kbelíkem, ujistěte se, že je čistý. Jinak by mohlo dojít k ucpání hadic nebo magnetického ventilu.



### VAROVÁNÍ!

Do nádrže čisticího prostředku je zakázáno nalévat hořlavé kapaliny. Mohlo by dojít k výbuchu nebo požáru. Používejte pouze schválené čisticí prostředky. Vhodné čisticí prostředky Vám může doporučit Váš odborný prodejce.

## SPUŠTĚNÍ A ZASTAVENÍ STROJE



### VAROVÁNÍ!

Stroj použijte teprve tehdy, pokud jste si důkladně přečetli, nastudovali a pochopili tento návod.

- Nastavte vodící rukojeti na vhodnou pracovní výšku stisknutím dvou páček (16) pod spínací skříňkou.
- Spusťte sací trysku na podlahu uvolněním páčky (19).
- Spusťte jednotku kartáčů na podlahu stisknutím spínače (7) do polohy ON.
- Zapněte hlavní spínač (1) do polohy ON.
- Zapněte spínač systému kartáčů (4) do polohy ON.
- Zapněte spínač systému sání (2) do polohy ON.
- Zapněte spínač čisticího prostředku (6) do polohy ON.
  - a. Čisticí prostředek začne vytékat po stisknutí ručních spínačů.
- Model Fang 20HD-EU je samostatně poháněn. Rychlost můžete řídit regulátorem (9) umístěným na pravém boku spínací skříňky.
- Model Fang 20HD-EU má zpětný chod. Pro aktivaci zpátečky stiskněte spínač (18) na levém boku spínací skříňky.
- Kartáče spustíte stisknutím jednoho nebo obou červených ovládacích spínačů (21). Pokud jsou tyto spínače stisknuté, kartáče se začnou točit a čisticí prostředek se začne dávkovat. Model FANG20HD-EU: se začne pohybovat. Model FANG20HD-EU: se začne pohybovat směrem dopředu.



### VAROVÁNÍ!

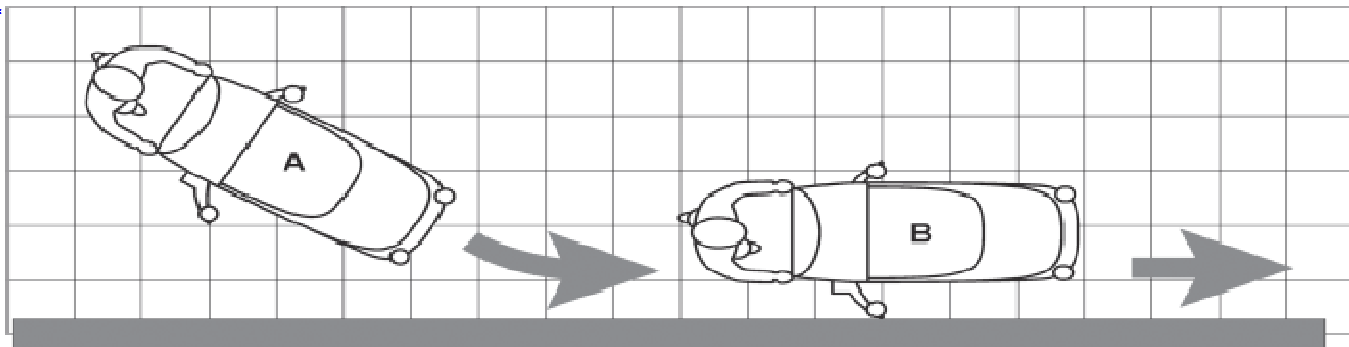
Nenechávejte v činnosti podložku/kartáč, když stroj není v pohybu, mohla by se tím poškodit podlaha.

- Nastavte množství dávkování čisticího prostředku otočením regulátoru dávkování (8). Pro větší množství jím otočte doprava, pro menší množství doleva.



### POZNÁMKA

Pro správné čištění/sušení podlah u stěn Viper doporučuje pohybovat se u stěn pravou stranou stroje, jak je uvedeno na obrázku.

**POZOR!**

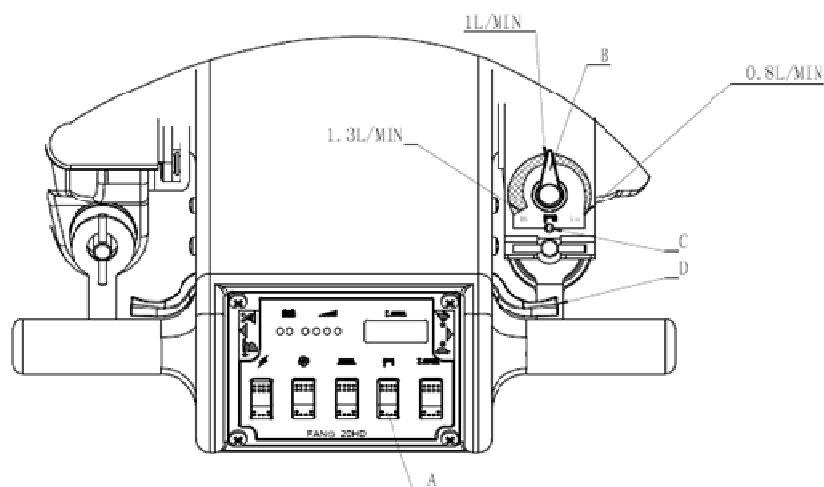
Pokud stroj stojí na místě, vypněte pohon kartáčů/podložky, především pokud je aktivován zvýšený přetlak, aby nedošlo k poškození podlahy.

**DÁVKOVÁNÍ ČISTICÍHO PROSTŘEDKU**

- Zapněte spínač čisté vody (A) do polohy ON.
- Nastavte množství čisticího prostředku otočením regulátoru dávkování (B), doleva (proti směru hodinových ručiček) pro větší množství, nebo doprava (ve směru hodinových ručiček) pro menší množství. Kolík (C) slouží jako doraz regulátoru množství (B).

**POZNÁMKA**

I po otočení spínače čisticího prostředku (A) se čisticí prostředek začne dávkovat až po stisknutí ručních spínačů (D).

**POKLES VÝKONU BATERIÍ BĚHEM PROVOZU**

Pokud svítí zelená kontrolka (3), baterie a stroj fungují normálně.

Pokud zelená kontrolka (3) zhasne, a rozsvítí se žlutá kontrolka (3), měly by se baterie dobít, protože mají jen zbytkovou kapacitu, která vydrží jen několik minut (v závislosti na charakteristice baterie a prováděné práci).

Pokud se rozsvítí červená kontrolka (3), baterie jsou vybité. Po několika sekundách se pohon kartáčů/podložky automaticky vypne, zatímco systémy sání a pohonu jsou stále v provozu, aby se podlaha dosušila a stroj mohl dojet k nabíjecí stanici.

**POZOR!**

Stroj nepoužívejte s vybitými bateriemi, aby nedošlo k jejich poškození a zkrácení životnosti.

**BĚHEM PROVOZU STROJE**

- Občas zkontrolujte, zda se v nádrži na obnovu vody nadržuje pěna. V případě tvorby pěny do této nádrže přidejte prostředek proti pěnění.

**VAROVÁNÍ!**

Přes plovákový ventil se do motoru sání nesmí dostat pěna. Motor sání by se tím mohl poškodit. Pěna nemůže aktivovat plovákový ventil.

- Občas zkontrolujte pomocí průsvitné hadičky na levé zadní straně, zda je v nádrži dostatek čistícího prostředku.
- Občas kontrolujte indikaci nabití baterie (3). Při červené kontrolce baterie nabijte.

**VAROVÁNÍ!**

Při červené kontrolce stroj nepoužívejte. Mohlo by dojít k poškození baterií.

- Pokud po sací trysce zůstávají na podlaze pruhy, nadzvedněte ji a sací chlopně otřete vlhkým hadříkem.

**VAROVÁNÍ!**

Sací chlopně nikdy nečistěte holými prsty. Mohlo by dojít k úrazu.

- Při prázdné nádrži čistícího prostředku, vypněte motor kartáčů a spínač čistícího prostředku a nadzvedněte jednotku kartáčů.  
Sací trysku spusťte dolů na podlahu a pokračujte ve vysávání zbylé špinavé vody. (viz postup vypouštění nádrže VYPRAZDNĚNÍ NÁDRŽE).

**POZNÁMKA**

Motor kartáčů je chráněn jističem, aby nedošlo k jeho poškození. Pokud jistič vypadne, nelze ho zapnout okamžitě.

Nejdříve je třeba zjistit, co výpadek jističe způsobilo a před obnovením jističe nechat motor zchladit.

**VYPRAZDNĚNÍ NÁDRŽE**

- Vypněte stroj.
- Přejeďte strojem se zvednutou sací tryskou a jednotkou kartáčů k místu pro vypuštění nádrže(i).

**VYPRAZDNĚNÍ NÁDRŽE NA OBNOVENÍ VODY (ŠPINAVÉ VODY)****POZNÁMKA**

Po vysávání, či před dalším naplněním nádrže čistícího prostředku se musí nádrž pro obnovu vody vypustit a vyčistit.

**VAROVÁNÍ!**

Pokud se po naplnění nádrže čistícího prostředku nádrž špinavé vody nevypustí, může přes plovákový ventil do motoru sání vniknout pěna nebo voda a poškodit ho.

- Vytáhněte odtokovou hadici z držáku a zasuňte ji do podlahové vpusti. Otevřete uzavírací ventil a nechte vodu odtéci. Aby se nádrž zcela vyprázdnila, překlopte nádrž a podložte podpěrou.
- Po použití nádrž vyčistěte. Vypláchněte nádrž na obnovu vody čistou vodou. Pozor, aby voda nevnikla do plovákového ventilu.

**POZNÁMKA**

Před uskladněním stroje vždy otevřete víko nádrže na obnovu vody, aby mohla nádrž vyschnout a nezapáchala.

- Uzávěr odtokové vpusti ihned po vypuštění uzavřete.

**VYPRAZDNĚNÍ NÁDRŽE ČISTICÍHO PROSTŘEDKU****POZNÁMKA**





Po skončení práce by se nádrž čistícího prostředku měla vypustit a vyčistit.

- Vytáhněte průhlednou hadici z držáku (vzadu vlevo na stroji). Tím čistící prostředek vypustíte do kbelíku nebo podlahové vpusti.
- Po každém použití vypláchněte nádrž čistícího prostředku čistou vodou. Tím zabráníte vzniku usazenin čistícího

prostředku a ucpání hadic.

- Do nádrže čisticího prostředku nalijte čistou vodu, zapněte stroj a spínač čisticího prostředku do polohy ON a stiskněte ruční spínače. Do nádrže začne hadicemi přitékat čistá voda určená k vypláchnutí nádrže.
- Jakmile je nádrž vypláchnutá a vypuštěná, hadici opět nandejte do držáku. Dbejte na to, aby hadice byla zcela zavěšená na držáku.

## NABÍJENÍ BATERIÍ

	<p><b>POZNÁMKA</b> Pro optimální výkon stroje udržujte baterie vždy nabité. Nenechávejte je vybité.</p>
	<p><b>POZNÁMKA</b> Pokud je stroj vybaven nabíječkou, stroj nelze obsluhovat, pokud tato nabíječka není vložena v stroji. V případě vadné funkce nabíječky se obraťte na autorizované servisní středisko.</p>
	<p><b>POZOR!</b> Používejte jen schválené nabíječky dle následujících specifikací:</p> <ul style="list-style-type: none"> <li>• Automatické odpojení po nabití</li> <li>• Oživení vybitých baterií</li> <li>• Výstupní proud 10-20 A</li> <li>• Výstupní napětí 24 V</li> </ul>
	<p><b>POZOR!</b> Baterie jsou nebezpečné! Z baterií uniká vodík, který může způsobit výbuch nebo požár. Držte baterie mimo dosah jisker a otevřeného ohně. Při nabíjení stroje se ujistěte, že je bateriový prostor otevřený.</p>



- Umístěte nabíječku baterií a stroj na dobře větrané místo.
- Vypněte stroj.
- Překlopte nádrž špinavé vody, tím se otevře bateriový prostor.
- Zkontrolujte stav elektrolytu v bateriích. Baterie nenabíjejte, pokud desky nejsou dostatečně ponořené v elektrolytu. Nepřepněte baterie. Přepnutí by mohlo způsobit únik elektrolytu během nabíjení. Před nabíjením odstraňte zátky baterie.
- Nabíječku zapojte do uzemněné zásuvky, dříve než ji připojíte k stroji.
- Připojte nabíječku k červenému nabíjecímu konektoru umístěnému na levé přední straně bateriového prostoru.
- Vyklopte podpěru nádrže na obnovu vody, nádrž překlopte a podložte podpěrou.
- Nabíječka začne baterie automaticky nabíjet, jakmile budou baterie plně nabité, automaticky se vypne.
- Po skončení nabíjení vytáhněte nabíječku ze zásuvky a pak odpojte konektor z stroje.
- Zkontrolujte stav nabití baterie. Pokud je hladina elektrolytu nízká, doplňte baterii destilovanou vodou k dolní rýsce



kontrolky. Našroubujte zátky zpátky a otřete baterie vlhkým hadříkem.

## ÚDRŽBA

Aby stroj dobře sloužil po mnoho let, dodržujte při údržbě následující pokyny.



### POZOR!

Při provádění údržby nebo oprav vždy dbejte na to, aby byl stroj vypnutý a přívody k bateriím odpojené.

## DENNÍ ÚDRŽBA

- Odstraňte podložku/kartáč a vyčistěte je schváleným čisticím prostředkem.
- Obě nádrže zcela vypusťte a vypláchněte čistou vodou. Zkontrolujte znečištění nádrže špinavé vody a v případě potřeby ji vyčistěte.
- Zvedněte sací trysku a otřete ji vlhkým hadříkem. Při skladování sací trysku vždy zvedněte.
- Vyjměte plovákový ventil a vyčistěte ho čistou vodou.
- Vyčistěte stroj schváleným druhem čisticího prostředku a vlhkým hadříkem. Stroj neostříkujte vodou, aby nedošlo k poškození motoru a elektrických částí.
- Nabijte baterie.



## TÝDENNÍ ÚDRŽBA

- Zkontrolujte stav elektrolytu v bateriích.
- Zkontrolujte, zda nejsou kabely uvolněné nebo korodované.
- Vrchní strana baterie nesmí být korodovaná.

## MĚSÍČNÍ ÚDRŽBA

- Zkontrolujte, zda na stroji nejsou žádná uvolněná místa či spony.
- Namažte všechna mazací místa a klouby silikonovým sprejem a povolenými mazivy.
- Umístěte stroj nad podlahovou vpust'. Do hadice čisticího prostředku nalijte 10 litrů horké vod spolu s povoleným alkalickým čisticím a spusťte stroj (se zcela povoleným dávkovacím kolečkem) na asi 45 sekund. Vypněte stroj a nechte prostředek působit přes noc. Druhý den vypusťte zbylou kapalinu a vypláchněte nádrž čisticího prostředku čistou vodou.

## VYČIŠTĚNÍ FILTRU MOTORU SÁNÍ

- Přejeďte strojem na zem.
- Otočte klíčkem zapalování (32) do polohy OFF.
- Otevřete nádrž pro obnovu vody.
- Pokud je to třeba, vypusťte vodu z nádrže, aby byl filtr vidět.
- Zkontrolujte, že je předřadný filtr čistý. Pokud je to nutné, omyjte ho vodou a stlačeným vzduchem, pak ho opět nasad'te.
- Proveďte kroky 1, 2 a 3 v opačném pořadí.

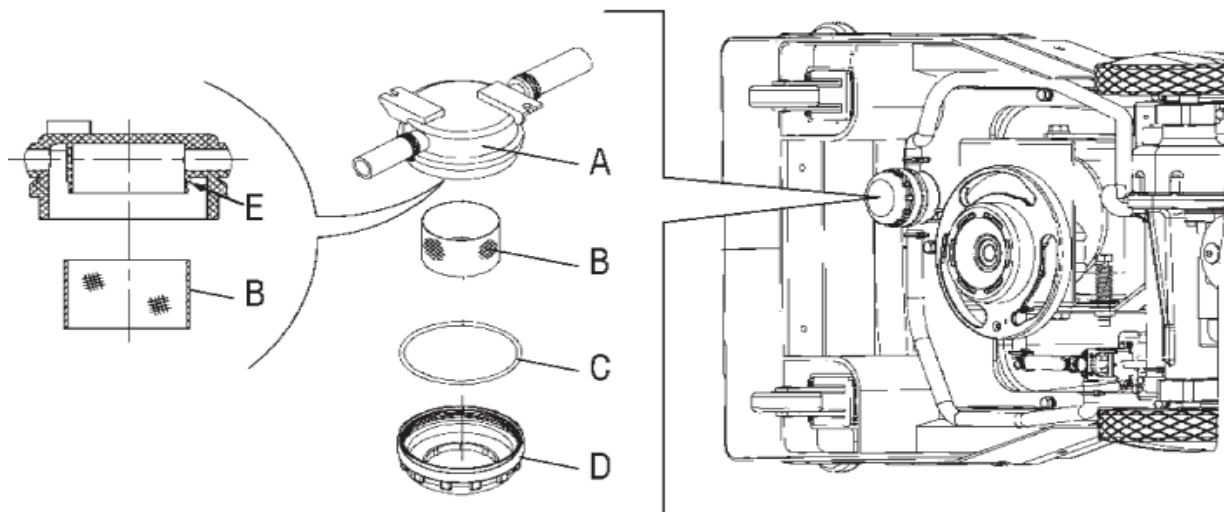
## VYČIŠTĚNÍ FILTRU NÁDRŽE ČISTICÍHO PROSTŘEDKU/ČISTÉ VODY

- Přejeďte strojem na zem.
- Otočte klíčkem zapalování (32) do polohy OFF.
- Vyjměte průhledný kryt (D) (vodní filtr je pod strojem), poté vyjměte sítko filtru (B). Vyčistěte je a nasad'te je na podstavec (A).



## POZNÁMKA

Sítka filtru (B) musí být správně namontována do pouzdra (E) podstavce (A).

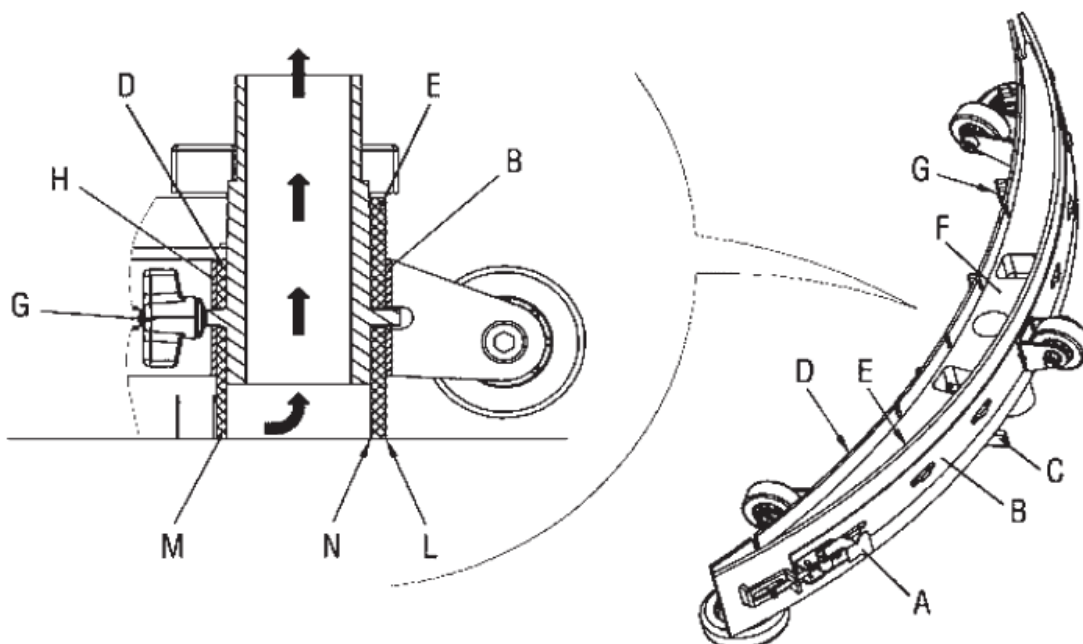


## KONTROLA A VÝMĚNA LISTU STĚRKY

- Vyčistěte stěrku podle instrukcí v předchozím odstavci.
- Zkontrolujte hranu (M) přední chlopně (D) a hranu (L) zadní chlopně (E). Musí být stejně vysoké po celé jejich délce; popř. nastavte jejich výšku podle následujícího postupu:
  - Otevřete zámky (A) a nastavte zadní chlopeň (E); poté zavřete zámky.
  - Povolte rukojeť (G) a nastavte přední chlopeň (D); poté rukojeť utáhněte.
- Zkontrolujte přední chlopeň (D) a zadní chlopeň (E), jestli v nich nejsou trhliny nebo zářezy; v případě potřeby je vyměňte, jak je ukázáno níže.  
Zkontrolujte, zda není přední hrana (N) zadní chlopně opotřebovaná; popř. chlopeň otočte nebo vyměňte opotřebovanou hranu.  
Pokud jsou ostatní hrany také opotřebované, vyměňte chlopeň podle následujícího postupu:
  - Uvolněte zámky (A) a odstraňte přídržný pás (B), poté vyměňte/přetočte zadní chlopeň (E). Namontujte chlopeň podle postupu pro demontáž, ale kroky provádějte v opačném pořadí.
  - Uvolněte rukojeť (G) a odstraňte přídržný pás (H), poté vyměňte přední chlopeň (D). Namontujte chlopeň podle postupu pro demontáž, ale kroky provádějte v opačném pořadí.

Po výměně chlopní (nebo přetočení), nastavte jejich výšku, jak bylo popsáno v předchozím kroku.

- Připojte sací hadici (33) k sací trysce.
- Namontujte stěrku (13) a našroubujte ruční kolečka (34).



## ČIŠTĚNÍ KARTÁČE/PODLOŽKY

**POZOR!**

Nebezpečí úrazu.

Při čištění kartáče/podložky se doporučuje používat ochranné rukavice, protože byste se mohli pořezat o ostré hrany.

- Odstraňte kartáč/podložku z stroje, jak je uvedeno v kapitole Použití.
- Vyčistěte a omyjte kartáč/podložku vodou a čisticím.
- Zkontrolujte, zda nejsou kartáč/podložka porušené nebo opotřebované; popř. je vyměňte.

## ŘEŠENÍ PROBLÉMŮ

PROBLÉM	PŘÍČINA	ŘEŠENÍ
Stroj nefunguje	Vadné baterie	Vyměňte baterie
	Vybité baterie	Nabijte baterie (viz Nabíjení baterií)
	Volný kabel baterií	Upevněte volný kabel
	Baterie nejsou správně připojené	Dodržujte pokyny montáže baterií
Motor kartáčů nefunguje	Vadný spínač motoru kartáčů	Kontaktujte zákaznický servis Viper.
	Vypadl jistič motoru kartáčů	Zkontrolujte znečištění motoru a zapněte jistič
	Spálený usměrňovač	Kontaktujte zákaznický servis Viper.
	Vadné vedení	Kontaktujte zákaznický servis Viper.
	Vadný motor kartáčů	Kontaktujte zákaznický servis Viper.
	Opotřebované uhlíkové kartáče	Kontaktujte zákaznický servis Viper.
	Vadný magnetický ventil	Kontaktujte zákaznický servis Viper.
Motor sání nefunguje	Vadný spínač motoru sání	Kontaktujte zákaznický servis Viper.
	Vadné vedení	Kontaktujte zákaznický servis Viper.
	Vadný motor sání	Kontaktujte zákaznický servis Viper.
	Opotřebované uhlíkové kartáče	Kontaktujte zákaznický servis Viper.
Krátká životnost baterie	Vybité baterie	Nabijte baterie (viz Nabíjení baterií)
	Baterie potřebují údržbu	Viz Údržba baterií tohoto návodu
	Vadné články baterie	Vyměňte baterie
	Vadná nabíječka	Vyměňte nabíječku
Nízký nebo žádný přívod čisticího prostředku	Vadný spínač čisticího prostředku	Kontaktujte zákaznický servis Viper.
	Ucpaný magnetický ventil	Kontaktujte zákaznický servis Viper.
	Ucpaný filtr čisticího prostředku	Odstraňte filtr a vyčistěte ho
	Ucpaná hadice čisticího prostředku	Odstraňte hadici a vyčistěte ji
	Dávkovací kolečko je potřeba nastavit	Množství dávkování čisticího prostředku zvýšíte otočením kolečka doprava. Otočením doleva množství snížíte.
Špatný sací výkon	Ucpaná sací tryska	Vyčistěte sací trysku vlhkým hadříkem
	Opotřebované sací chlopně	Namontujte nové sací chlopně
	Sací tryska není správně namontovaná	Pozor, aby byla sací tryska pevně spojená s strojem

PROBLÉM	PŘÍČINA	ŘEŠENÍ
	Sací hadice jsou děravé nebo se uvolnily	Zkontrolujte těsnost hadice. V případě poškození hadice vyměňte.
	Sací hadice je ucpaná	Zkontrolujte znečištění hadice a odstraňte ucpaní.
	Zátka odtokové hadice se uvolnila	Upevněte zátku hadice.
	Vybité baterie	Nabijte baterie (viz Nabíjení baterií)
	Uvolněný motor sání	Utáhněte upevňovací šrouby motoru. Neutahujte je příliš pevně damage will occur.
	Uvolněné víko nádrže pro obnovu vody	Pozor, aby bylo víko nádrže uzavřené.
	Ucpaná hadice nádrže pro obnovu vody	Vypusťte nádrž pro obnovu vody a vyklopte ji do strany. Zkontrolujte znečištění odtoku a odstraňte ho.
	Nádrž špinavé vody je plná	Vyprázdněte nádrž pro obnovu vody.
	Ucpaný plovákový ventil	Vyjměte plovákový ventil z nádrže pro obnovu vody a vyčistěte ho.

## SKLADOVÁNÍ



### POZOR!

Pokud stroj skladujete na místě při teplotě pod bodem mrazu, vypusťte vodu z nádrže a hadic a nechte vyschnout!

- Stroj skladujte v suchu a chraňte ho před mrazem.
- Skladovací teplota musí být mezi 0°C a +40°C.
- Stroj vždy skladujte v uzavřených prostorách.
- Vždy odstraňte podložku/kartáč.
- Stroj vždy skladujte se zvednutou sací tryskou.
- Pokud stroj skladujete na místě při teplotách pod bodem mrazu, před uskladněním vypusťte vodu z stroje.
- Na poškození vlivem mrazu se nevztahuje záruka.
- Vypusťte nádrž na obnovu vody a otevřete její víko, aby během uskladnění nezapáchala.
- Vyprázdněte nádrž čisticího prostředku.

## RECYKLACE STROJE

Spotřebič, který dosloužil, okamžitě recyklujte:

- Vyjměte baterie
- Elektrické spotřebiče nevyhazujte do domovního odpadu.



Podle Směrnice EU 2002/96/EC o odpadech z elektrických a elektronických zařízení se použité elektrické spotřebiče musí sbírat odděleně a ekologicky recyklovat. Pro více informací kontaktujte místní úřady nebo svého nejbližšího prodejce.

## SPIS TREŚCI

<b>WPROWADZENIE</b> .....	<b>216</b>
CEL I ZAWARTOŚĆ INSTRUKCJI .....	216
PRZEZNACZENIE .....	216
PRZECHOWANIE INSTRUKCJI.....	216
DEKLARACJA ZGODNOŚCI .....	216
DANE IDENTYFIKACYJNE.....	216
INNE INSTRUKCJE .....	216
CZĘŚCI ZAMIENNE I KONSERWACJE.....	216
ZMIANY I MODERNIZACJE.....	216
UŻYTKOWANIE ZGODNE Z PRZEZNACZENIEM .....	216
OKREŚLENIA .....	217
<b>ROZPAKOWANIE/DOSTAWA</b> .....	<b>217</b>
<b>BEZPIECZEŃSTWO</b> .....	<b>217</b>
STOSOWANE SYMBOLE .....	217
OGÓLNE WYTYCZNE .....	217
<b>OPIS MASZYNY</b> .....	<b>221</b>
BUDOWA MASZYNY .....	221
AKCESORIA/OPCJE.....	222
SCHEMAT ELEKTRYCZNY (FANG20HD-EU).....	224
<b>EKSPLOATACJA</b> .....	<b>225</b>
PRZED URUCHOMIENIEM URZĄDZENIA .....	225
W TRAKCIE PRACY .....	229
<b>KONSERWACJA</b> .....	<b>231</b>
OBSŁUGA CODZIENNA .....	231
OBSŁUGA COTYGODNIOWA .....	231
OBSŁUGA COMIESIĘCZNA .....	231
CZYSZCZENIE FILTRA SILNIKA ODKURZACZA .....	231
CZYSZCZENIE ZBIORNIKA ROZTWORU MYJĄCEGO/CZYSTEJ WODY .....	231
KONTROLA I WYMIANA PIÓRA ŚCIAĞACZKI .....	232
CZYSZCZENIE SZCZOTKI/PŁYTY .....	233
<b>USUWANIE USTEREK</b> .....	<b>233</b>
<b>PRZECHOWYWANIE</b> .....	<b>234</b>
<b>UTYLIZACJA CZYSZCZARKI</b> .....	<b>234</b>

## WPROWADZENIE



### UWAGA

Liczby w nawiasach odnoszą się do elementów pokazanych w rozdziale Opis maszyny.

## CEL I ZAWARTOŚĆ INSTRUKCJI

Celem niniejszej instrukcji jest przekazanie niezbędnej wiedzy potrzebnej do prawidłowego użytkowania maszyny, w sposób bezpieczny i samodzielnie. Zawiera informacje odnośnie danych technicznych, obsługi, konserwacji, części zamiennych i utylizacji. Przed wykonaniem jakiegokolwiek procedury w maszynie, operatorzy jak i technicy muszą zapoznać się z tą instrukcją. Prosimy o kontakt z firmą Viper w przypadku wątpliwości co do interpretacji instrukcji oraz w celu uzyskania dalszych informacji.

## PRZEZNACZENIE

Instrukcja jest przeznaczona dla operatorów i techników.

Operatorom nie wolno wykonywać czynności zarezerwowanych dla techników. Viper nie odpowiada za szkody powstałe w wyniku nieprzestrzegania powyższego zakazu.

## PRZECHOWANIE INSTRUKCJI

Instrukcję obsługi należy przechowywać w pobliżu maszyny, w odpowiednim schowku, zabezpieczoną przed płynami i innymi substancjami, które mogłyby ją zniszczyć.

## DEKLARACJA ZGODNOŚCI

Deklaracja zgodności, załączona do urządzenia, potwierdza zgodność maszyny z obowiązującymi przepisami.



### UWAGA

Do dokumentacji maszyny dołączono dwa oryginalne egzemplarze deklaracji zgodności. Deklaracja CE znajduje się w skróconej instrukcji obsługi.

## DANE IDENTYFIKACYJNE

Model oraz numer seryjny maszyny znajdują się na tabliczce znamionowej.

To użyteczna informacja przy zamawianiu części zamiennych. Zapisz dane identyfikacyjne maszyny w liniach poniżej.

MODEL .....

NUMER SERYJNY .....

## INNE INSTRUKCJE

- Instrukcja serwisowa (dostępna w centrach serwisowych Viper)
- Lista części zamiennych (zob. [www.vipercleaning.eu](http://www.vipercleaning.eu))

## CZĘŚCI ZAMIENNE I KONSERWACJE

Czynności obsługowe, konserwacyjne i naprawy może prowadzić tylko wykwalifikowany personel albo serwisanci VIPER. Należy używać tylko oryginalne części zamienne i akcesoria. Serwis oraz części zamienne i akcesoria zamawiać w Viper, z podaniem modelu maszyny i numeru seryjnego.

## ZMIANY I MODERNIZACJE

Viper stale ulepsza swoje produkty i zastrzega sobie prawo do wprowadzania zmian i modernizacji bez obowiązku wprowadzania ich do już sprzedanych maszyn.

Wszelkie zmiany i/lub dodatkowe akcesoria wymagają zatwierdzenia przez Viper.

## UŻYTKOWANIE ZGODNE Z PRZEZNACZENIEM

Wszystkie maszyny czyszczące służą do mycia wodoodpornych podłóg w pomieszczeniach. Nie nadają się do czyszczenia wykładzin dywanowych i dywanów.

Maszyny nadają się do użytku komercyjnego, np. w hotelach, szkołach, szpitalach, fabrykach, sklepach, biurach i mieszkaniach wynajmowanych.

Inne użytkowanie uznaje się za niezgodne z przeznaczeniem. Producent uchyla się od odpowiedzialności za szkody powstałe w wyniku takiego użytkowania. Ryzyko w takim wypadku ponosi wyłącznie użytkownik.



W zakres prawidłowego użytkowania wchodzi również właściwa obsługa, serwis i naprawy, zgodnie z zaleceniami producenta.

Wprowadzanie samowolnych zmian w maszynach wyklucza dochodzenie roszczeń z tytułu odpowiedzialności producenta za produkt.

Przed użyciem maszyny, należy sprawdzić czy podłoga nadaje się do takiej metody mycia!

Zwracać uwagę na nacisk wywierany na powierzchnię w przypadku podłóg sprężystych, np. w salach gimnastycznych!

Producent nie odpowiada za uszkodzenie maszyny i wykładziny podłogowej powstałe w wyniku użycia niewłaściwych szczotek i środków do mycia.

## OKREŚLENIA

Do przodu, do tyłu, przód, tył, w lewo, w prawo i w górę – to określenia w stosunku do operatora, będącego w pozycji roboczej.

## ROZPAKOWANIE/DOSTAWA

Aby odpakować maszynę, należy postępować zgodnie z zaleceniami umieszczonymi na opakowaniu.

Po dotarciu maszyny na miejsce, sprawdzić czy opakowanie lub maszyna nie uległy uszkodzeniu w czasie transportu. W przypadku stwierdzenia uszkodzeń, zachować opakowanie i dać je do sprawdzenia przewoźnikowi, który je dostarczył. Natychmiast wezwać przewoźnika w celu wypełnienia formularza uszkodzenia.

Sprawdzić czy opakowanie zawiera:





- maszynę
- zespół ściągaczki
  - szczotki (i trzymaki pad)

## BEZPIECZEŃSTWO

Poniższe symbole wskazują na potencjalne niebezpieczeństwo. Zawsze czytać tak oznakowane informacje i przedsięwziąć wszelkie środki ostrożności w celu ochrony ludzi i mienia.

Operatorzy muszą współpracować ze sobą, dla swojego bezpieczeństwa. Nie pomoże żaden program zapobiegania wypadkom bez normalnej współpracy między ludźmi odpowiedzialnymi za obsługę maszyny. Większość wypadków, które mogą mieć miejsce w trakcie pracy lub przemieszczania się wynika z nieprzestrzegania najprostszych zasad zapobiegania im. Ostrożny i czujny operator to najlepsza gwarancja na zapobieganie wypadkom i stanowi ukoronowanie skutecznego programu prewencyjnego.

## STOSOWANE SYMBOLE

	<p><b>NIEBEZPIECZEŃSTWO!</b></p> <p>Zagrożenie prowadzące do poważnego i nieodwracalnego uszczerbku na zdrowiu, a nawet śmierci.</p>
	<p><b>OSTRZEŻENIE !</b></p> <p>Zagrożenie, które może spowodować poważny uszczerbek na zdrowiu, a nawet śmierci.</p>
	<p><b>UWAGA!</b></p> <p>Zagrożenie, które może spowodować drobniejsze zranienia i szkody.</p>
	<p><b>INFORMACJA</b></p> <p>Wskazuje na informację dotyczącą jakiejś ważnej lub użytecznej funkcji.</p>

## OGÓLNE WYTYCZNE

Poniżej przedstawiono ostrzeżenia informujące o możliwości doznania uszczerbku na zdrowiu lub uszkodzenia maszyny.

Urządzenie może być:

- używane tylko przez osoby przeszkolone co do jego prawidłowego użycia oraz którym przekazano odpowiedzialność za jego obsługę
- eksploatowane tylko pod nadzorem

- obsługiwane wyłącznie przez osoby dorosłe

Miejsce pracy w stosunku do urządzenia: za urządzeniem.

Nie stosować niebezpiecznych technik pracy.

Czyszcarkę stale prowadzić obydwoma rękami.

Kiedy czyszczarka stoi w miejscu, natychmiast wyłączyć szczotkę aby nie uszkodzić wykładziny.

W następujących sytuacjach należy urządzenie wyłączyć i wyjąć wtyczkę baterii:

- przed czyszczeniem i serwisem
- przed wymianą części
- przed przebrojeniem urządzenia

Użycie czyszczarki podlega obowiązującym przepisom danego kraju. Poza instrukcją obsługi i obowiązującymi przepisami zapobiegania wypadkom w danym kraju, należy przestrzegać przepisy bezpiecznej i prawidłowej pracy.

## TRANSPORT

W przypadku transportowania czyszczarki windą

- przestrzegać obowiązujące przepisy, dotyczące szczególnie nośności.

## EKSPLOATACJA

Aby chronić urządzenie przed dostępem osób nieupoważnionych, należy wyłączyć lub zablokować źródło zasilania, np. przez wyjęcie kluczyka z przełącznika zasilania.

Należy przedsięwziąć wszelkie środki ostrożności by włosy, biżuteria ani luźne części odzieży nie zostały pochwycone przez ruchome części urządzenia.

Przed uruchomieniem urządzenia, zamknąć/ założyć wszystkie drzwi i osłony.

Temperatura pracy urządzenia musi mieścić się w zakresie 0°C do +40°C,

A wilgotność - w zakresie 30% do 95%.

Nie wykorzystywać urządzenia jako środka transportu.

W przypadku pożaru, nie gasić gaśnicą wodną, lecz proszkową.

Nie eksperymentować z zabezpieczeniami urządzenia. Ścisłe przestrzegać wykonywania rutynowych zabiegów konserwacyjnych.

Chronić otwory przed dostaniem się do nich przedmiotów. Nie używać urządzenia, w którym otwory zostały zatkane. Chronić otwory przed kurzem, włosami i innymi ciałami obcymi, które mogą pogorszyć przepływ powietrza.

Nie zdejmować ani nie modyfikować tabliczek zamocowanych na urządzeniu.

Urządzenie użytkowane zgodnie z zaleceniami nie generuje niebezpiecznych wibracji. Poziom wibracji w urządzeniu nie przekracza  $2,5 \text{ m/s}^2$  (98/37/EEC-EN 1033/1995).

Wibracje ręki/ramienia są znacznie niższe od poziomu  $2,5 \text{ m/s}^2$  (mierzone zgodnie z ISO 5349), który jest wartością graniczną dla 8 godzin nieprzerwanej pracy.

Urządzenia nie wolno stosować na drogach ani ulicach.

W urządzeniach Viper można stosować standardowe detergenty, które nie niszczą żadnych materiałów, z których są zbudowane urządzenia Viper (nie wolno stosować rozpuszczalników ani innych płynów żrących). Viper nie uznaje reklamacji wynikających z użycia agresywnych detergentów w urządzeniach Viper. Jeśli konieczne jest użycie specjalnego detergentu, to należy się skontaktować z pośrednikiem Viper.

Zachować szczególną ostrożność, jeśli urządzenie jest transportowane w temperaturze poniżej zera. Woda w zbiorniku lub przewodach może zamarznąć i poważnie uszkodzić urządzenie.

## KONSERWACJA

Aby zapewnić właściwą i bezpieczną eksploatację urządzenia, upoważniony personel lub serwisanci Viper muszą przeprowadzać rutynowe przeglądy, zgodnie z opisem w tabeli w odpowiednim rozdziale niniejszej instrukcji.

Prosimy o uważne przeczytanie instrukcji przed wykonaniem jakiegokolwiek procedury konserwacji albo naprawy urządzenia.

Nie pracować pod uniesionym urządzeniem, jeśli nie zostało bezpiecznie podparte.

Nie myć urządzenia strumieniem wody pod ciśnieniem ani przy użyciu substancji żrących.

## GWARANCJA

Udzielamy gwarancji na ogólnych zasadach.


Samowolne modyfikacje urządzenia, stosowanie niewłaściwych szczotek oraz detergentów, a także używanie urządzenia niezgodnie z przeznaczeniem zwalnia producenta z odpowiedzialności za wynikające z tego szkody.


## TESTY I APROBATY

Testy elektryczne muszą być przeprowadzane zgodnie z zasadami BHP (BGV A3) oraz DIN VDE 0701 część 1 i 3.


W świetle DIN VDE 0702, testy te muszą być przeprowadzane w regularnych odstępach czasu oraz po naprawach i modyfikacjach.

## ELEMENTY ELEKTRYCZNE


	<p><b>NIEBEZPIECZEŃSTWO</b> Baterie. Zagrożenie wybuchem.</p> <ul style="list-style-type: none"> <li>➤ W wyniku ładowania baterii powstaje wysoce wybuchowy, gazowy wodór. W trakcie ładowania baterii, zbiornik powinien być uchylony, a cała procedura powinna być wykonywana w dobrze wentylowanym miejscu, z dala od nieosłoniętego ognia.</li> <li>➤ Nie zostawiać bez nadzoru urządzenia włączonego do zasilania – to pozwoli zmniejszyć zagrożenie pożarem, porażeniem elektrycznym lub powstaniem uszczerbku na zdrowiu. Przed przystąpieniem do jakichkolwiek konserwacji, wyjąć kabel ładowarki z gniazdka zasilania.</li> <li>➤ Nie palić papierosów w trakcie ładowania baterii.</li> <li>➤ Stosowanie nieoryginalnych części zamiennych, akcesoriów i ładowarek może obniżyć bezpieczeństwo urządzenia. Stosować części zamienne i akcesoria z Viper, oraz Baterie i ładowarki zalecane przez VIPER. VIPER nie pokrywa kosztów (w ramach gwarancji) szkód powstałych w wyniku stosowania baterii i ładowarek bez atestu i niezalecanych przez VIPER.</li> </ul>
---	--

	<p><b>UWAGA</b> Ładowarka. Porażenie elektryczne na skutek kontaktu z uszkodzonym przewodem elektrycznym lub kablem ładowarki. Dotykание wadliwego kabla zasilania albo kabla ładowarki może doprowadzić do poważnych obrażeń lub śmierci.</p> <ul style="list-style-type: none"> <li>➤ Chronić baterie przed iskrami, ogniem oraz żarzącymi się materiałami. W czasie normalnej pracy uwalniają się gazy wybuchowe.</li> <li>➤ Przed użyciem ładowarki, sprawdzić czy parametry częstotliwości i napięcia, wskazane na tabliczce znamionowej, są zgodne z parametrami źródła zasilania.</li> <li>➤ Nie uszkodzić kabla zasilania (np. nie przejeżdżać po nim, nie ciągnąć, nie miażdżyć).</li> <li>➤ Regularnie sprawdzać czy kabel zasilania nie jest uszkodzony lub stary.</li> <li>➤ Wymianę wadliwego kabla zasilania zlecić serwisantowi Viper albo wykwalifikowanemu elektrykowi, a dopiero potem wznowić użytkowanie urządzenia.</li> <li>➤ Nie ciągnąć ani nie przenosić urządzenia trzymając za kabel ładowarki. Nie traktować kabla jako uchwytu. Nie przytrząskiwać kabla ładowarki drzwiami, ani nie naciągać go wokół ostrych krawędzi lub rogów.</li> <li>➤ Trzymać kabel ładowarki z dala od rozgrzanych powierzchni.</li> <li>➤ Nie ładować baterii, jeśli kabel lub wtyczka ładowarki jest uszkodzona. Jeśli urządzenia nie działa właściwie, uległo uszkodzeniu, zostało na dworze, albo wpadło do wody, to należy je zwrócić do centrum serwisowego.</li> </ul>
---	---

## STOPNIE I POCHYŁOŚCI

	<p><b>UWAGA</b> Zagrożenie przewróceniem i poślizgnięciem na stopniach lub pochyłościach. Przy pokonywaniu stopni i pochyłości istnieje ryzyko urazu ciała oraz uszkodzenia mienia.</p> <ul style="list-style-type: none"> <li>➤ Nie pokonywać stopni.</li> <li>➤ Urządzenie stosować tylko na równych płaszczyznach, o maksymalnym nachyleniu 2 %.</li> </ul>
---	--

## PODŁOGI

	<p><b>UWAGA</b> Uszkodzenie delikatnych podłóg. Szczególnie delikatne podłogi mogą ucierpieć na skutek tej metody czyszczenia.</p>
---	--

- |  |   |
|--|---|
|  | <ul style="list-style-type: none"><li>➤ Przed użyciem czyszczarki, sprawdzić czy podłoga nadaje się do takiej metody czyszczenia.</li><li>➤ Zwracać uwagę na nacisk wywierany na powierzchnię podłóg sprężystych, np. w salach gimnastycznych.</li><li>➤ Stosować tylko środki do mycia zatwierdzone przez Viper.</li></ul> |
|--|---|

### MATERIAŁY NIEBEZPIECZNE DLA ZDROWIA



#### OSTRZEŻENIE

Materiały niebezpieczne dla zdrowia w podłogach.

Podłogi mogą zawierać substancje niebezpieczne dla zdrowia, które uwalniają się (rozpuszczają) w czasie czyszczenia.

- Nie czyścić podłóg, z których pyły albo ciecze mogą być po rozpuszczeniu niebezpieczne.

### ZAGROŻENIE WYBUCHEM



#### OSTRZEŻENIE

Materiały palne i wybuchowe.

Zagrożenie wybuchem w atmosferze wybuchowej lub w miejscach magazynowania materiałów palnych i wybuchowych.

- Nie eksploatować urządzenia w obecności pyłów, cieczy lub oparów niebezpiecznych, palnych i/lub wybuchowych.

### CZĘŚCI ZAMIENNE I AKCESORIA



#### UWAGA

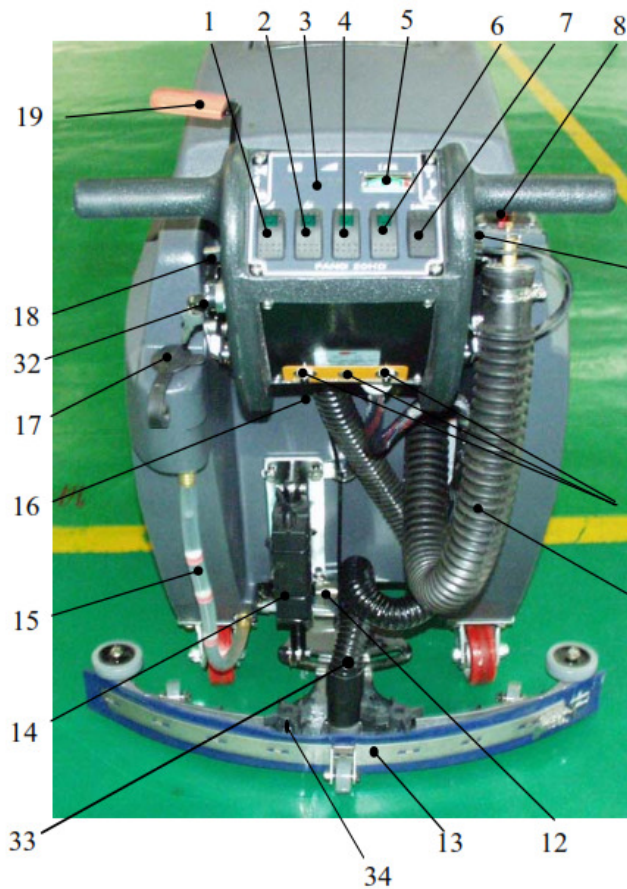
Nieoryginalne części oraz niewłaściwe detergenty.

Stosowanie nieoryginalnych części i niewłaściwych detergentów może obniżyć bezpieczeństwo urządzenia i spowodować jego uszkodzenie.

- Stosować tylko części zamienne i akcesoria z Viper.
- Stosować tylko akcesoria i detergenty dostarczane razem z urządzeniem, albo wymienione w instrukcji obsługi.

## OPIS MASZyny

## BUDOWA MASZyny



1. Główny przełącznik zasilania wł./wył.
2. Przełącznik odkurzacza wł./wył.
3. Miernik poziomu naładowania baterii
4. Przełącznik szczotki wł./wył.
5. Miernik nacisku szczotki
6. Przełącznik roztworu wł./wył.
7. Przełącznik nacisku szczotki w górę/w dół
8. Pokrętko dawkowania roztworu
9. Pokrętko regulacji prędkości
10. Wyłączniki automatyczne
11. Wąż spustowy ze zbiornika odzysku wody
12. Regulacja ściągaczki
13. Zespół ściągaczki
14. Siłownik głowicy szczotki
15. Wziernik poziomu roztworu w zbiorniku

16. Dźwignie regulacji konsoli
17. Tylny wlew roztworu
18. Przełącznik cofania
19. Dźwignia podnoszenia ściągaczki
20. Obudowa sterowania
21. Dźwignienki obsługowe
22. Zbiornik na roztwór myjący
23. Tylne kółka nastawne
24. Koła transportowe
25. Głowica szczotki
26. Fartuch głowicy szczotki
27. Zasułka obudowy fartucha
28. Rolki ochronne
29. Przedni wlew roztworu
30. Zbiornik odzysku wody
31. Pokrywa zbiornika odzysku wody
32. Przełącznik kluczykowy
33. Wąż odkurzacza i ściągaczki
34. Pokrętko mocowania ściągaczki

Pokrętko mocowania ściągaczki

**AKCESORIA/OPCJE**

Poza elementami standardowymi, w wyposażeniu urządzenia mogą się znaleźć następujące akcesoria opcjonalne, uwzględniające specyficzne zastosowanie urządzenia:

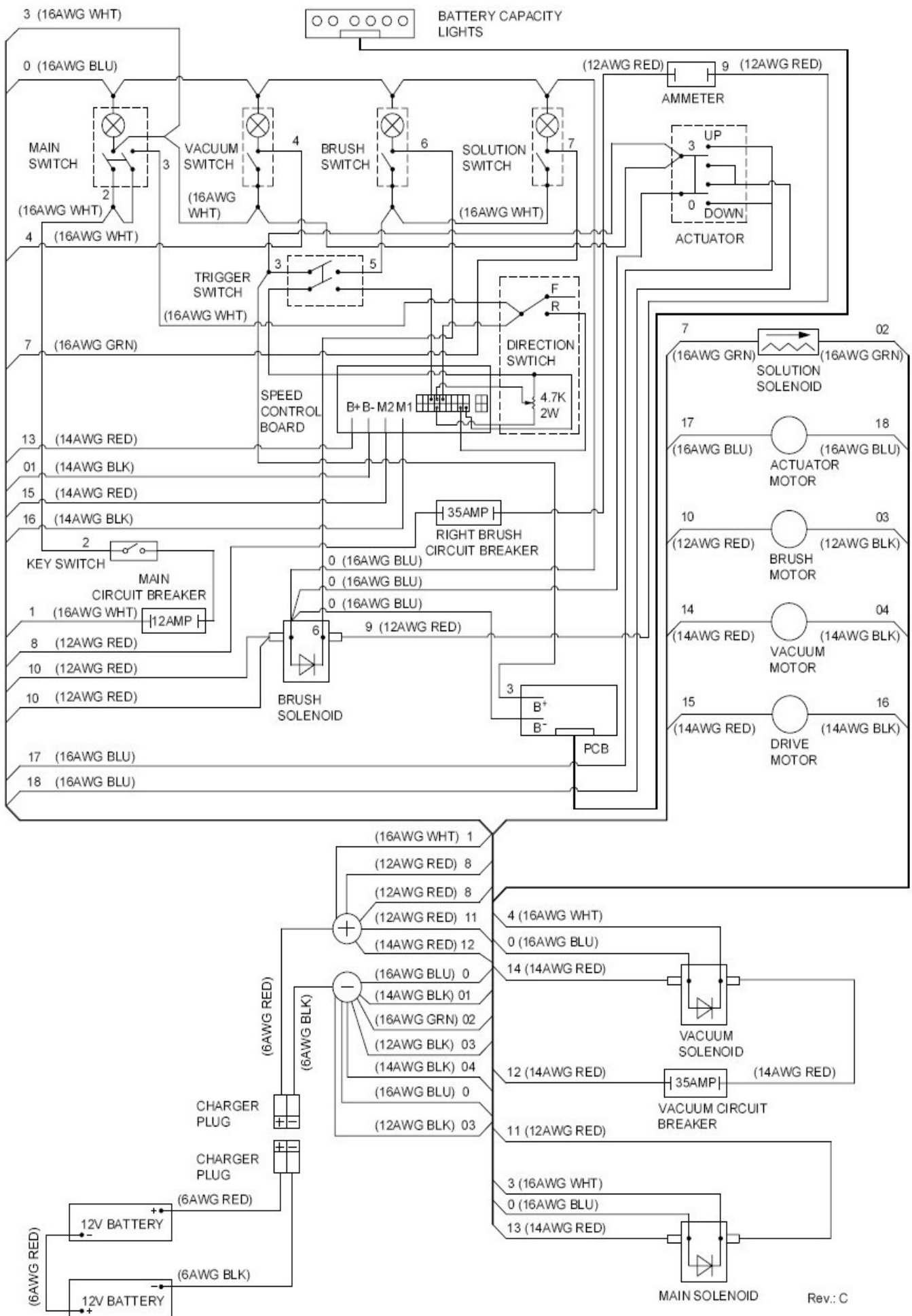
- Szczotka
  - Trzymak pad

Aby otrzymać więcej informacji nt. akcesoriów opcjonalnych, proszę się skontaktować z autoryzowanym sprzedawcą:

**DANE TECHNICZNE**

Model		<b>FANG 20HD-EU</b> (1 szczotka / uchwyty pad)
Wysokość maszyny	mm	990
Pojemność zbiornika na roztwór / czystą	l	61
Pojemność zbiornika do odzysku wody	l	61
Średnica przedniego koła	mm	76
Średnica tylnego koła	mm	200
Moc silnika odkurzacza	W	400
Moc silnika napędu	W	250
Prędkość napędu (zmienna)	km/h	0 – 4.5
Zdolność pokonywania wzniesień	%	2
Ciężenie akustyczne na stanowisku pracy	dB(A)	69
Standardowe baterie	Ah @ 20 h	2 x 12V/215Ah
Wydajność odkurzacza	mm H <sub>2</sub> O	1.397
Szerokość czyszczenia	mm	510
Szerokość ściągaczki	mm	750
Maksymalna długość maszyny	mm	1.350
Szerokość maszyny bez ściągaczki	mm	560
Średnica szczotki	mm	510
Waga bez baterii i z pustymi zbiornikami	kg	107
Maks. waga z bateriami i pełnymi	kg	181
Moc silnika szczotki	W	560
Prędkość szczotki	obr/min	200
Nacisk szczotki/uchwyty płyty	kg	UP TO91





MAIN SOLENOID Rev.: C

## SCHEMAT ELEKTRYCZNY (FANG20HD-EU)

## SCHEMAT ELEKTRYCZNY (FANG20HD-EU)

Kod kolorów

BLK	Czarny
BLU	Niebieski
GRU	Zielony
RED	Czerwony
WHT	Biały

1	BATTERY CAPACITY LIGHTS	WSKAŹNIKI NAŁADOWANIA BATERII
2	MAIN SWITCH	PRZEŁĄCZNIK GŁÓWNY
3	VACUUM SWITCH	PRZEŁĄCZNIK ODKURZACZA
4	BRUSH SWITCH	PRZEŁĄCZNIK SZCZOTKI
5	SOLUTION SWITCH	PRZEŁĄCZNIK ROZTWORU MYJĄCEGO
6	AMMETER	AMPEROMIERZ
7	ACTUATOR	SIŁOWNIK
8	TRIGGER SWITCH	PRZYCISK OBSŁUGOWY
9	SPEED CONTROL BOARD	PŁYTKA KONTROLI PRĘDKOŚCI
10	DIRECTION SWITCH	PRZEŁĄCZNIK KIERUNKU
11	RIGHT BRUSH CIRCUIT BREAKER	PRAWY WYŁĄCZNIK AUTOMATYCZNY
12	KEY SWITCH	PRZEŁĄCZNIK KLUCZYKOWY
13	MAIN CIRCUIT BREAKER	GŁÓWNY WYŁĄCZNIK AUTOMATYCZNY
14	BRUSH SOLENOID	STYCZNIK SZCZOTKI
15	PCB	PŁYTKA DRUKOWANA
16	SOLUTION SOLENOID	ELEKTROZAWÓR ROZTWORU MYJĄCEGO
17	ACTUATOR MOTOR	SILNIK SIŁOWNIKA
18	BRUSH MOTOR	SILNIK SZCZOTKI
19	VACUUM MOTOR	SILNIK ODKURZACZA
20	DRIVE MOTOR	SILNIK NAPĘDU
21	VACUUM SOLENOID	STYCZNIK ODKURZACZA
22	VACUUM CIRCUIT BREAKER	WYŁĄCZNIK AUTOMATYCZNY ODKURZACZA
23	MAIN SOLENIOD	STYCZNIK GŁÓWNA
24	CHARGER PLUG	WTYCZKA ŁADOWARKI
25	BATTERY	BATERIA

## EKSPLOATACJA

## PRZED URUCHOMIENIEM URZĄDZENIA

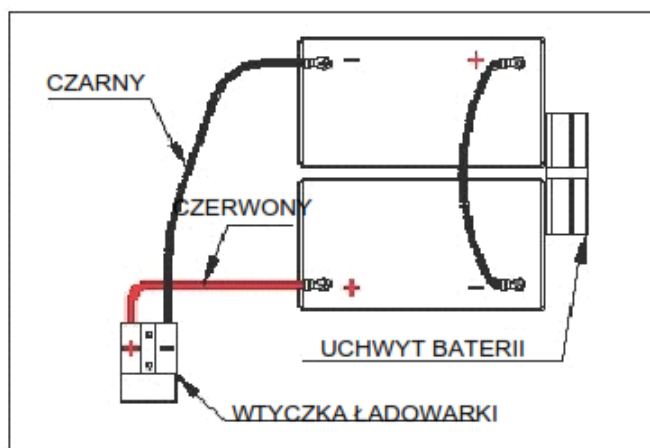
	<p><b>OSTRZEŻENIE !</b> Na niektórych częściach maszyny znajdują się plakiety wskazujące na: NIEBEZPIECZEŃSTWO OSTRZEŻENIE UWAGĘ INFORMACJĘ</p>
--	---

W trakcie czytania instrukcji, operator winien zwracać szczególną uwagę na symbole z plaketek. W żadnym wypadku nie wolno tych plaketek zasłaniać, a w przypadku uszkodzenia – natychmiast je wymienić.

## ZAŁOŻENIE BATERII

	<p><b>OSTRZEŻENIE !</b> Elementy elektryczne maszyny mogą ulec poważnemu uszkodzeniu, jeśli baterie zostaną nieprawidłowo założone albo podłączone. Tylko wykwalifikowany personel można zakładać baterie.</p> <ul style="list-style-type: none"> <li>➤ Ustawić funkcyjną płytkę elektroniczną i ładowarkę (opcjonalnie) zgodnie z typem używanych baterii (KWASOWE lub ŻELOWE).</li> <li>➤ Przed założeniem baterii, sprawdzić czy nie są uszkodzone.</li> <li>➤ Rozłączyć łącznik baterii i wtyczkę ładowarki.</li> <li>➤ Bardzo ostrożnie obchodzić się z bateriami.</li> <li>➤ Założyć osłony ochronne przyłączy baterii, dołączone do urządzenia.</li> </ul>
--	---

Maszyna wymaga dwóch baterii 12 V, połączonych wg poniższego schematu:



Maszyna jest dostarczana bez baterii, ale nabywca może je nabyć samodzielnie (KWASOWE lub ŻELOWE).

- Zakupić odpowiednie baterie (zob. rozdział Dane techniczne).
  - Wybór i założenie baterii zlecić dostawcom baterii.
    - Ustawić maszynę i ładowarkę zgodnie z typem używanych baterii (KWASOWE lub ŻELOWE), tak jak to pokazano w następnym rozdziale.
- a) Kiedy Baterie (KWASOWE lub ŻELOWE) są już założone i gotowe do użycia, wtedy należy
- Sprawdzić czy są podłączone do wtyczki ładowarki.
  - Włożyć kluczyk zapłonu (32) i przekręcić go do położenia “on”.  
Jeśli zapali się zielona lampka ostrzegawcza (3), to baterie są gotowe do użycia.  
Jeśli zapali się żółta lub czerwona lampka (3), to baterie wymagają ładowania (zob. odpowiednią procedurę w rozdziale Konserwacja).
- b) Kiedy baterie (KWASOWE) są już założone, ale bez elektrolitu, to
- Otworzyć pokrywę (31) i sprawdzić czy zbiornik odzysku wody (30) jest pusty - jeśli nie, to opróżnić go przez wąż spustowy (11).
    - Ostrożnie unieść zbiornik (30).

	<p><b>OSTRZEŻENIE !</b> Uwaga na kwas siarkowy, który ma własności żrące. Jeśli dostanie się na skórę lub do oczu, to obficie spłukać wodą i zasięgnąć porady u lekarza. Baterie napełniać w miejscu z dobrą wentylacją. Należy nosić rękawice ochronne.</p>
--	--

- Napełnić celki baterii kwasem siarkowym do akumulatorów (o gęstości 1,27 do 1,29 kg w temp. 25°C) zgodnie z procedurą z instrukcji baterii. W tej samej instrukcji podano ile wlać kwasu siarkowego.
- Aby nie zniszczyć podłogi, trzeba wytrzeć do sucha ślady z kwasu i wody z powierzchni baterii, po naładowaniu.
- Pozostawić baterie na jakiś czas, a następnie dopełnić kwasem siarkowym według procedury z instrukcji baterii.
  - Naładować baterie (zob. odpowiednia procedura w rozdziale Konserwacja).

### USTAWIENIA ŁADOWARKI

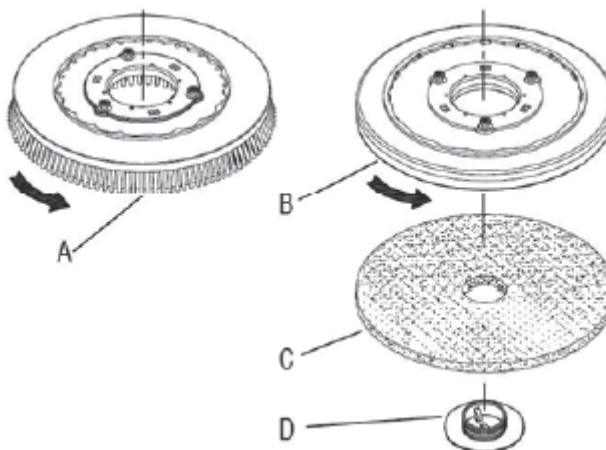
- Ustawienia fabryczne, domyślne, są wspólne dla baterii AGM, żelowych, SLA i VRLA.
  - Jeśli trzeba, to użyć położenia WET dla baterii ołowianych. Prosimy skontaktować się z dostawcą.

### KONTROLE WSTĘPNE

- Oczyścić maszynę z zewnątrz.
- Sprawdzić czy parametr napięcia maszyny jest zgodny z lokalnymi wymogami.
- Sprawdzić czy prawidłowo zainstalowano ściągaczkę.
  - Sprawdzić czy prawidłowo zainstalowano szczotkę / trzymak pad.

### INSTALACJA TRZYMAKA PAD LUB SZCZOTKI

- Sprawdzić czy maszyna jest na pewno wyłączona.
- Obniżyć głowicę szczotki do podłogi przez nadeptanie na pedał i popchnięcie go w przód.
- Przechylić maszynę do tyłu, aby mieć dostęp do piasty silnika napędu.



#### INFORMACJA

Przed przechyleniem maszyny do tyłu, ściągnąć ściągaczkę. To przyspieszy i ułatwi operację.



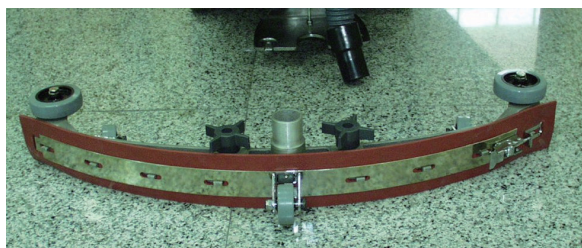
#### OSTRZEŻENIE !

Nie trzymać długo urządzenia w pozycji przechylonej, żeby nie spowodować wycieku kwasu z baterii.

- Jeśli stosowany jest trzymak pad, to najpierw zamocować odpowiedni pad na trzymaku.
  - Zamontować trzymak pad lub szczotkę na piaście silnika napędu - przez wyrównanie w osi trzech kołków z trzema otworami w piaście silnika napędu. Kiedy kołki znajdują się już w otworach, obrócić napęd w stronę zacisku sprężynowego aby go zablokować w miejscu.

### MONTAŻ ŚCIĄGACZKI

- Pociągnąć dźwignię do podnoszenia ściągaczki w tył, aby podnieść wspornik ściągaczki.
- Poluzować nakrętki na ściągaczkę i wsunąć ściągaczkę do szczelin w tyle wspornika. (koła na ściągaczkę skierowane do tyłu).
  - Dokręcić nakrętki.



## NAPEŁNIANIE ZBIORNIKA ROZTWORU MYJĄCEGO

Zbiornik Fang 20HD-EU można napełniać z dwóch miejsc:

- z przodu – przy pomocy węża lub wiadra.
  - z tyłu – tylko przy pomocy węża.
- Zdecydować co do miejsca napełniania maszyny wodą.
  - Napełnić zbiornik 115 litrami wody. (temperatura wody nie powinna przekraczać 40° C). Przezroczysty przewód w tyle maszyny posiada znaczniki galonów, co pomaga określić poziom wody w zbiorniku na roztwór.



### INFORMACJA

Przy korzystaniu z wiadra, dopilnować by wiadro było czyste, by uchronić przewody lub elektrozawór przed zapchaniem.



### OSTRZEŻENIE !

Nie wprowadzać żadnych materiałów palnych do zbiornika na roztwór, bo może to spowodować pożar. Stosować tylko zalecane środki do mycia. Skontaktować się ze sprzedawcą środków czystości w kwestii doboru właściwych produktów.

## URUCHAMIANIE I ZATRZYMYWANIE MASZYNY



### OSTRZEŻENIE !

Maszynę uruchomić dopiero po przeczytaniu ze zrozumieniem tej instrukcji.

- Ustawić obudowę sterowania na wygodnej wysokości, przez ściśnięcie ze sobą dwóch dźwigierek (16) bezpośrednio pod obudową.
- Obniżyć ściągaczkę do podłogi – przez zwolnienie dźwigni do podnoszenia ściągaczki (19) z zablokowanej pozycji.
- Obniżyć głowicę szczotki do podłogi przez przekręcenie przełącznika nacisku szczotki (7) do położenia ON.
- Włączyć główny przełącznik zasilania (1) - położenie“ ON”.
- Włączyć przełącznik silnika szczotki (4) - położenie“ ON”.
- Włączyć przełącznik silnika odkurzacza (2) - położenie“ ON”.
- Włączyć przełącznik roztworu (6) - położenie“ ON”.
  - Roztwór zacznie płynąć dopiero po pociągnięciu dźwigierek obsługowych.
- Fang 20HD-EU jest urządzeniem samobieżnym. Prędkość kontroluje się pokręteł (9), usytuowanym po prawej stronie obudowy sterowania.
- Fang 20HD-EU może także cofać się. Do uruchomienia cofania służy przełącznik dwustabilny (18), usytuowanym po lewej stronie obudowy sterowania.
  - Aby rozpocząć szorowanie, trzeba pociągnąć jeden lub obydwie czerwone dźwigiery obsługowe (21). Po pociągnięciu przycisków, szczotka zacznie się obracać, a roztwór zacznie płynąć. Fang 20HD-EU będzie poruszał się sam. FANG20HD-EU: Rozpocząć szorowanie przez przesunięcie maszyny w przód.



### OSTRZEŻENIE !

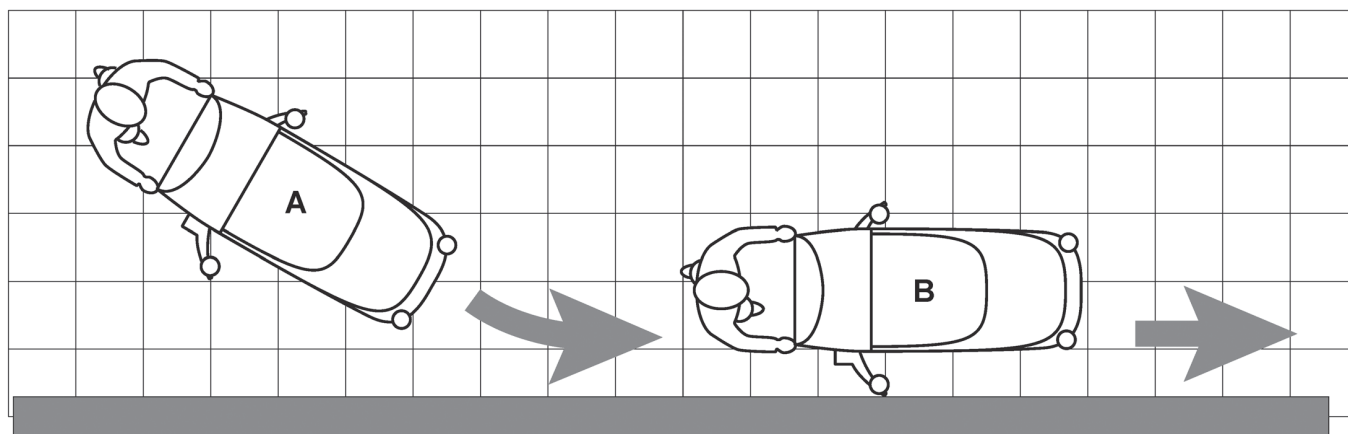
Nie trzymać maszyny w jednym miejscu, kiedy obraca się pad / szczotka, bo może to uszkodzić podłogę.

- Ustawić przepływ roztworu, przez przekręcenie pokręła dozowania roztworu (8). Obrót w prawo daje więcej roztworu, obrót w lewo – mniej.



### INFORMACJA

Aby prawidłowo wyczyścić / wysuszyć podłogi przy ścianach, Viper sugeruje aby przejeżdżać blisko ściany prawą stroną maszyny, tak jak to zaprezentowano.

**UWAGA!**

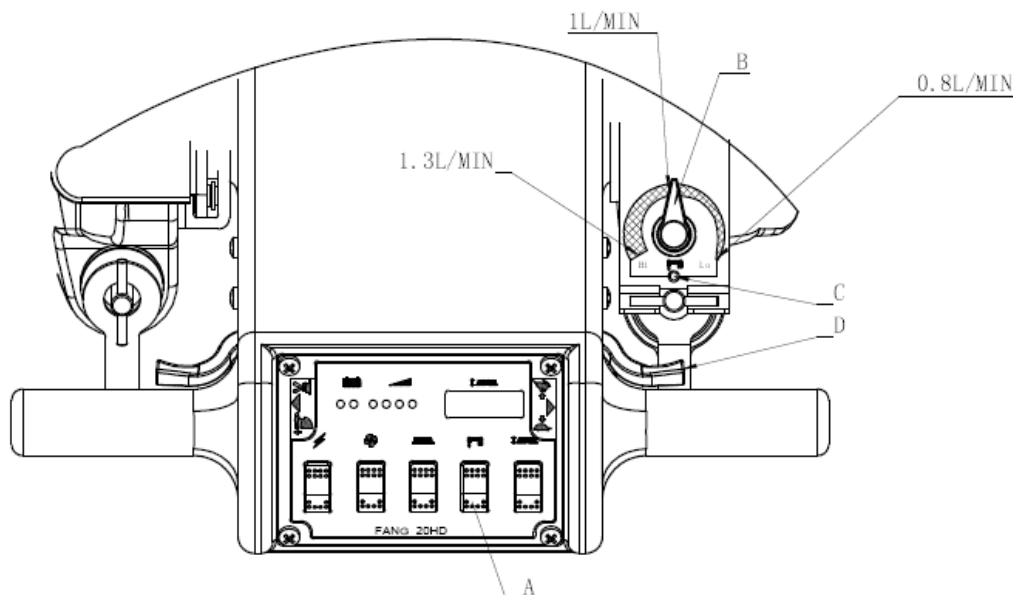
Aby nie uszkodzić powierzchni podłogi, trzeba wyłączać szczotkę / pad wtedy, kiedy maszyna zatrzymuje się w jednym miejscu, szczególnie przy stosowaniu funkcji dodatkowego nacisku.

**REGULACJA PRZEPŁYWU ROZTWORU**

- Włączyć przełącznik roztworu (A) - położenie "ON".
- Ustawić przepływ roztworu, przez przekręcenie pokręteł dozowania roztworu (B): w lewo - więcej, w prawo - mniej. Kołek (C) wyznacza położenie graniczne dla pokręta dawkowania roztworu (8).

**INFORMACJA**

Roztwór zacznie płynąć dopiero po pociągnięciu dźwignienek obsługowych (D), samo włączenie przełącznika roztworu (A) nie wystarczy.

**ROZŁADOWANIE BATERII PODCZAS PRACY**

Dopóki pali się zielona lampka ostrzegawcza (3), dopóty stan naładowania baterii wystarcza do normalnej pracy.

Jeśli zgaśnie zielona lampka (3), a zapali się żółta (3), to znaczy że baterie wymagają ładowania, bo zostało energii tylko kilka minut pracy (zależnie od charakterystyki baterii i rodzaju pracy).

Jeśli zapali się czerwona lampka ostrzegawcza (3), to znaczy że energia została wyczerpana. Po kilku sekundach, szczotka / trzymak pad automatycznie się wyłączy, włączony pozostanie odkurzacz i napęd, by dokończyć suszenie podłogi i odprowadzić maszynę do ustalonego miejsca ładowania.



**UWAGA!**

Nie używać maszyny z rozładowanymi bateriami, żeby nie uszkodzić baterii i nie skrócić ich żywotności.

**W TRAKCIE PRACY**

- Od czasu do czasu zaglądać do zbiornika przez przezroczystą pokrywę, czy nie tworzy się piana. Jeśli piany będzie za dużo, to dodać środka przeciwpieniącego do zbiornika odzysku wody.

**OSTRZEŻENIE !**

Piana nie może się dostać do sita zaworu, bo grozi to uszkodzeniem silnika odkurzacza. Piana nie uruchamia urządzenia zaworu.

- Od czasu do czasu spoglądać na przezroczysty przewód, usytuowany z tyłu po lewej stronie maszyny, aby skontrolować poziom roztworu myjącego, pozostałego w maszynie.
  - Okazjonalnie sprawdzać poziom naładowania baterii (3). Jeśli miernik świeci na czerwono, to doładować baterie.

**OSTRZEŻENIE !**

Jeśli miernik stanu naładowania baterii będzie się świecił na czerwono, to należy przerwać eksploatację maszyny. W przeciwnym wypadku, można uszkodzić baterie.

- Jeśli ściągaczka zostawia smugi na podłodze, to unieść ją nad podłogą i przetrzeć pióro wilgotną szmatą, ruchem w dół.

**OSTRZEŻENIE !**

Nie robić tego palcami, także palcami nie usuwać resztek z piór, bo grozi to zranieniem.

- Kiedy zabraknie roztworu myjącego, wtedy włączyć przełącznik szczotki, przełącznik roztworu i unieść głowicę szczotki. Opuścić ściągaczkę w dół i kontynuować odkurzanie aż do zebrania brudnej wody. (zob. podrozdział OPRÓŻNIANIE ZBIORNIKA, aby dowiedzieć się jak opróżnić zbiornik odzysku wody oraz zbiornik na roztwór myjący.)

**INFORMACJA**

Silnik szczotki jest zabezpieczony przed uszkodzeniem za pomocą wyłącznika automatycznego. Jeśli wyłącznik zadziała, to nie da się go od razu zresetować. Najpierw trzeba znaleźć przyczynę wybicia, następnie odczekać aż silnik wystygnie i dopiero wtedy można zresetować wyłącznik.

**OPRÓŻNIANIE ZBIORNIKÓW**

- Wyłączyć zasilanie maszyny.
- Przenieść maszynę do miejsca przeznaczonego na opróżnianie zbiorników, trzymając ściągaczkę i głowicę szczotki w położeniu górnym.

**OPRÓŻNIANIE ZBIORNIKA ODZYSKU Z (BRUDNEJ) WODY****INFORMACJA**

Za każdym razem po zakończeniu szorowania albo napełniania zbiornika na roztwór myjący, należy opróżnić i umyć zbiornik odzysku wody.

**OSTRZEŻENIE !**

Jeśli po napełnieniu zbiornika na roztwór myjący, zbiornik odzysku wody nie zostanie opróżniony, to do mechanizmu sita zaworu może się dostać piana lub woda i uszkodzić silnik odkurzacza.

- Wyjąć wąż spustowy z uchwytu i rozłożyć go na podłodze. Wykręcić zatyczkę z węża spustowego, by rozpocząć spuszczenie. Postawić zbiornik na wsporniku, otworzyć na ile pozwalają zawiasy i pozostawić tak by został opróżniony do końca.
- Myć zbiornik odzysku wody po każdym użyciu. Zbiornik wypłukać świeżą wodą z węża. Uważać, by woda nie dostała się do mechanizmu sita zaworu.

**INFORMACJA**

Jeśli maszyna ma być przez jakiś czas nieużywana, to należy zdjąć pokrywę ze zbiornika odzysku, tak by mógł zupełnie wyschnąć i świeżo pachnieć.

- Włożyć wtyczkę do węża spustowego zaraz po zakończeniu opróżniania zbiornika.

## OPRÓŻNIANIE ZBIORNIKA Z (CZYSTEGO) ROZTWORU MYJĄCEGO



### INFORMACJA

Za każdym razem po zakończeniu szorowania, należy opróżnić i umyć zbiornik na roztwór myjący.

- Pociągnąć przezroczysty przewód w dół (z tyłu maszyny, po lewej stronie), aby go ściągnąć z końcówki węża. Dzięki temu, roztwór myjący swobodnie spłynie do wiadra lub kratki w podłodze.
- Wyplukać zbiornik do roztworu do mycia po każdym użyciu, by uchronić przewody przed odkładaniem się środków chemicznych i w końcu zapchaniem.
- Kiedy w zbiorniku na roztwór znajduje się czysta woda, wtedy włączyć maszynę, włączyć przełącznik roztworu i pociągnąć dźwignienki obsługowe. Czysta woda przepłucze i oczyści system przewodów roztworu.
- Po przepłukaniu i opróżnieniu zbiornika, ponownie nasunąć przezroczysty przewód na końcówkę. Sprawdzić czy przewód został do oporu nałożony na końcówkę węża.

## ŁADOWANIE BATERII



### INFORMACJA

Dla optymalnego funkcjonowania, baterie powinny być stale naładowane. Nie pozostawiać ich na długo nienaładowane.



### INFORMACJA

Jeśli maszyna ma zainstalowaną opcjonalną ładowarkę, to nie może bez niej działać. W przypadku awarii ładowarki, skontaktować się z autoryzowanym centrum serwisowym.



### UWAGA!

Stosować tylko zatwierdzone ładowarki o następujących parametrach:

- automatyczny obwód odcinający
- cykl głębokiego ładowania
- prąd wyjściowy 10-20 Amp
- napięcie wyjściowe 24 V



### UWAGA!

Baterie są niebezpieczne! Uwalniają gazowy wodór, który może się przyczynić do wybuchu lub powstania pożaru. Należy stale chronić je przez iskrami i ogniem. W trakcie ładowania, przedział z bateriami ma być otwarty.



- Ładowanie powinno się odbywać w miejscu z dobrą wentylacją.
- Wyłączyć maszynę.
- Otworzyć zbiornik odzysku, odsłaniając przedział z bateriami.
- Sprawdzić poziom elektrolitu w każdej celce baterii. Nie rozpoczynać ładowania, jeśli płyn lekko nie przykrywa płytek baterii. Nie przepelnić baterii. Przepelnienie może spowodować (wypływ?) z baterii w trakcie ładowania, ponieważ objętość płynu zwiększa się. Przed naładowaniem założyć kapturki na miejsce.

- Włożyć wtyczkę ładowarki do uziemionego gniazdka w ścianie, a następnie włożyć wtyczkę ładowarki do maszyny.
- Włożyć wtyczkę ładowarki do czerwonego gniazdka, znajdującego się z przodu, po lewej stronie przedziału z bateriami.
- Przerzucić zbiornik odzysku “na prosto” i delikatnie położyć aż oprze się na stojaku.
- Ładowarka rozpocznie ładowanie samoczynnie i również samoczynnie je zakończy, kiedy baterie będą naładowane.
- Po zakończeniu ładowania, najpierw wyjąć wtyczkę ładowarki z gniazdka w ścianie, a następnie rozłączyć ładowarkę od maszyny.
- Sprawdzić poziom naładowania baterii po zakończeniu ładowania. Jeśli poziom elektrolitu jest niski, to dodać tyle wody destylowanej, żeby poziom elektrolitu sięgnął dna przewodów przezroczystych. Założyć z powrotem kapturki i wytrzeć baterie ręcznikiem.

## KONSERWACJA

Aby maszyna przez wiele lat zachowała optymalną sprawność, prosimy przestrzegać opisanych procedur konserwacji.



### UWAGA!

Przed przystąpieniem do konserwacji lub napraw zawsze sprawdzać czy maszyna jest na pewno wyłączona, a kabel baterii – rozłączony.

## OBSŁUGA CODZIENNA

- Zdjąć trzymak pad / szczotkę i wyczyścić zatwierdzonym środkiem czyszczącym.
- Dokładnie opróżnić zbiorniki odzysku wody i roztworu myjącego oraz przepłukać czystą wodą. Obejrzeć czy nie ma resztek w zbiorniku odzysku wody – w razie potrzeby oczyścić.
- Unieść zespół ściągaczki z podłogi i wytrzeć wilgotnym ręcznikiem. Ściągaczkę przechowywać w pozycji uniesionej.
- Wyjąć mechanizm sita zaworu i przepłukać go czystą wodą.
- Wymyć maszynę odpowiednim środkiem czyszczącym i wilgotnym ręcznikiem. Nie przyskać wodą na powierzchnię zewnętrzną maszyny, aby nie uszkodzić silnika ani okablowania.
- Doładować baterie.



## OBSŁUGA COTYGODNIOWA

- Sprawdzić poziom elektrolitu w bateriach.
- Sprawdzić stan kabli baterii – czy nie są luźne lub skorodowane.
- Zadbać o to, by końce baterii nie były skorodowane.

## OBSŁUGA COMIESIĘCZNA

- Sprawdzić nieszczelności i obluźwane połączenia w maszynie.
- Przesmarować wszystkie punkty smarowania silikonem w aerozolu i zatwierdzonym smarem.
- Umieścić maszynę nad kratką ściekową. Przepłukać układ roztworu myjącego 10 litrami gorącej wody i zatwierdzonym detergentem zasadowym - do zbiornika roztworu, na działającej maszynie (z włączoną regulacją roztworu) przez 45 sekund. Wyłączyć maszynę i zostawić ją w spoczynku przez noc. Następnego dnia, opróżnić zbiornik z pozostałości roztworu i przepłukać go czystą wodą.

## CZYSZCZENIE FILTRA SILNIKA ODKURZACZA

- Urządzenie ustawić na poziomej powierzchni.
- Przekręcić kluczyk zapłonu (32) do położenia “OFF”.
- Otworzyć zbiornik odzysku wody.
- Jeśli trzeba, opróżnić go z wody, by odsłonić filtr.
- Sprawdzić czy filtr wstępnego oczyszczania jest czysty. W razie potrzeby umyć go wodą i przedmuchać sprężonym powietrzem, a następnie założyć.
- Wykonać kroki 1, 2 oraz 3 w odwrotnej kolejności.

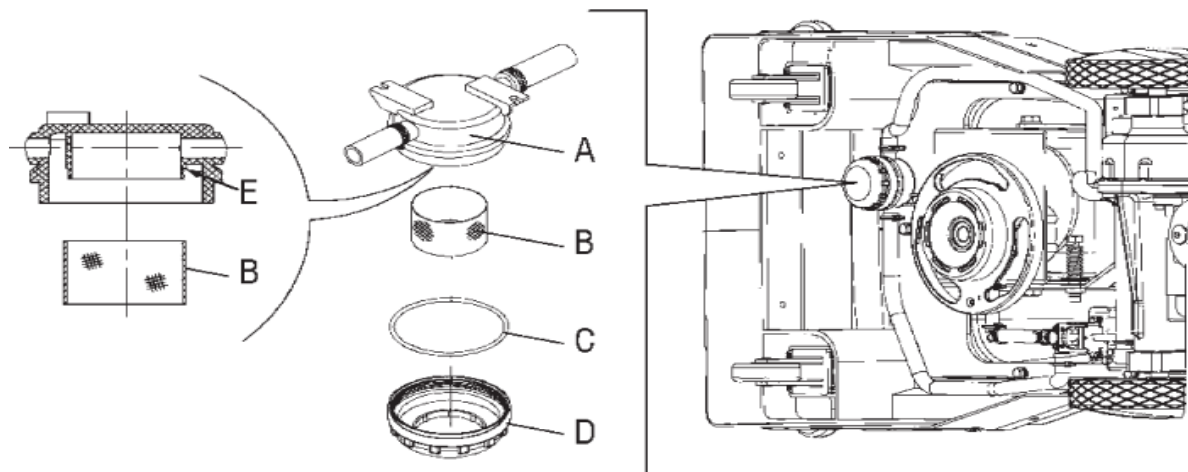
## CZYSZCZENIE ZBIORNIKA ROZTWORU MYJĄCEGO/CZYSZCZEJ WODY

- Urządzenie postawić na poziomej powierzchni.
- Przekręcić kluczyk zapłonu (32) do położenia "OFF".
- Zdjąć przezroczystą pokrywę (D) (filtr znajduje się pod maszyną), następnie wyjąć sitko filtra (B). Oczyszczyć i zamontować je na podporze (A).



## INFORMACJA

Sitko filtra (B) należy prawidłowo ustawić na obudowie (E) podpory (A).



## KONTROLA I WYMIANA PIÓRA ŚCIĄGACZKI

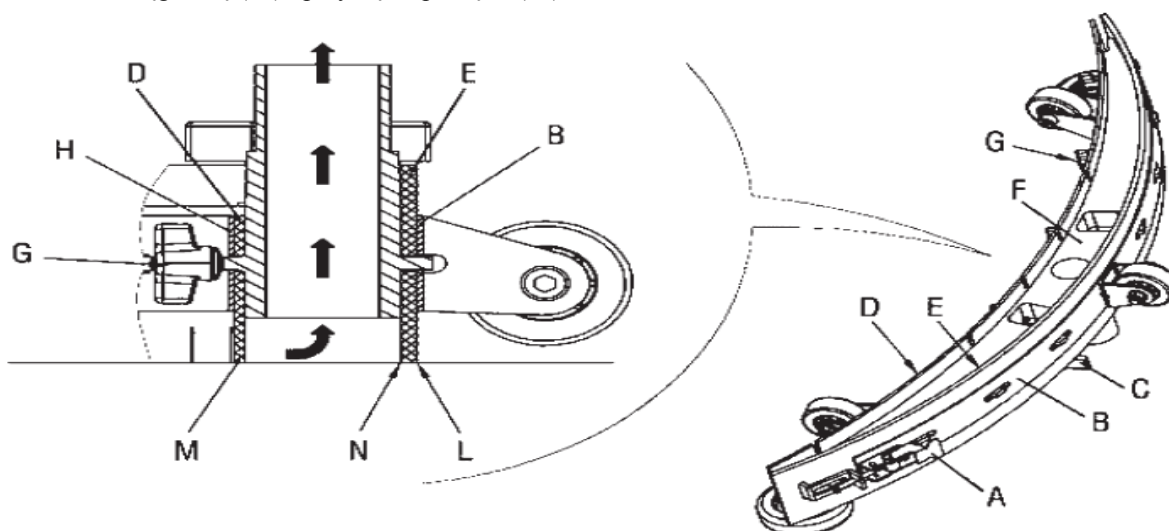
- Ściągaczkę czyścić zgodnie z opisem w poprzednim akapicie.
- Sprawdzić krawędź (M) przedniego pióra (D) i krawędź (L) tylnego pióra (E), ułożyć wzdłuż na tym samym poziomie; ewentualnie dostosować ich wysokości według poniższej procedury:
  - Rozłączyć elementy ustalające (A), aby wyregulować tylne pióro (E); po czym ponownie je złączyć.
  - Poluzować pokrętła (G) i wyregulować przednie pióro (D); następnie pokrętła dokręcić.
- Sprawdzić pióro przednie (D) i tylne (E) - czy nie ma uszkodzeń, rozcięć, rozdarć i w razie potrzeby wymienić. Sprawdzić przedni róg (N) tylnego pióra - czy nie jest zużyte; jeśli tak, to obrócić pióro w celu zamiany zużytego rogu na nieuszkodzony.

Jeśli przeciwległe rogi są również zużyte, to wymienić pióra według następującej procedury:

- Rozłączyć elementy ustalające (A) aby wyjąć listwę ustalającą (B); po czym wymienić/obrócić tylne pióro (E). Zamontować pióro w odwrotnej kolejności.
- Odkręcić pokrętła (G) aby wyjąć listwę ustalającą (H); po czym wymienić przednie pióro (D). Zamontować pióro w odwrotnej kolejności.

Po wymianie piór (albo obróceniu), wyregulować wysokość zgodnie z opisem w poprzednim kroku.

- Podłączyć wąż odkurzacza (33) do ściągaczki.
- Zamontować ściągaczkę (13) i przykręcić pokrętła (34).



## CZYSZCZENIE SZCZOTKI/PŁYTY



### UWAGA!

Ryzyko skaleczeń.

Zaleca się noszenie rękawic ochronnych do mycia szczotki/płyty, ponieważ resztki mogą mieć ostre krawędzie.

- Zdjąć szczotkę/trzymak z maszyny, zgodnie z opisem w rozdziale Użytkowanie.
- Szczotkę/trzymak czyścić i myć wodą z detergentem.
- Sprawdzić czy szczotka / trzymak pad nie jest uszkodzony, nadmiernie zużyta; w razie potrzeby wymienić.

## USUWANIE USTEREK

PROBLEM	PRZYCZYNA	ROZWIĄZANIE
Brak zasilania	Uszkodzone baterie	Wymienić baterie
	Baterie wymagają naładowania	Naładować baterie (zob. Ładowanie baterii)
	Luźny kabel baterii	Dokręcić luźne kable
	Baterie nieprawidłowo podłączone	Postępować zgodnie z instrukcją dołączoną do baterii
Nie działa silnik szczotki	Uszkodzony przełącznik szczotki	Skontaktować się z dystrybutorem Viper
	Wybity wyłącznik automatyczny szczotki	Sprawdzić przeszkody w silniku szczotki i zresetować wyłącznik
	Spalony prostownik	Skontaktować się z dystrybutorem Viper
	Uszkodzone okablowanie	Skontaktować się z dystrybutorem Viper
	Uszkodzony silnik szczotki	Skontaktować się z dystrybutorem Viper
	Zużyte szczotki węglowe	Skontaktować się z dystrybutorem Viper
	Uszkodzony stycznik	Skontaktować się z dystrybutorem Viper
Nie działa silnik odkurzacza	Uszkodzony przełącznik odkurzacza	Skontaktować się z dystrybutorem Viper
	Uszkodzone okablowanie	Skontaktować się z dystrybutorem Viper
	Uszkodzony silnik odkurzacza	Skontaktować się z dystrybutorem Viper
	Zużyte szczotki węglowe	Skontaktować się z dystrybutorem Viper
Krótki okres pracy	Baterie wymagają ładowania	Naładować baterie (zob. Ładowanie baterii)
	Baterie wymagają konserwacji	Zob. Konserwacja baterii w tej instrukcji
	Zła cęła w baterii(ach)	Wymienić baterie
	Uszkodzona ładowarka	Wymienić ładowarkę
Niewielki lub brak przepływu roztworu myjącego	Uszkodzony przełącznik roztworu myjącego	Skontaktować się z dystrybutorem Viper
	Zapchany elektrozawór roztworu myjącego	Skontaktować się z dystrybutorem Viper
	Zapchany filtr roztworu myjącego	Wyjąć i wyczyścić filtr
	Zapchane przewody roztworu myjącego	Wyjąć i wyczyścić przewody roztworu myjącego
	Pokrętło regulacji przepływu roztworu myjącego wymaga regulacji	Zwiększyć przepływ przez obrót pokrętła dozowania roztworu myjącego w prawo, zmniejszyć - w lewo.
Słabe ściąganie wody	Zapchana ściągaczka	Usunąć resztki ze ściągaczki mokrym ręcznikiem
	Zużyte pióra ściągaczki	Zamontować nowe pióra ściągaczki



PROBLEM	PRZYCZYNA	ROZWIĄZANIE
	Ściągaczka nieprawidłowo zamontowana	Sprawdzić bezpieczne zamontowanie ściągaczki.
	Wąż odkurzacza dziurawy lub luźny	Sprawdzić luźne połączenia i docisnąć je. Wymienić uszkodzony wąż.
	Zapchany wąż odkurzacza	Sprawdzić czy w wężu są resztki i usunąć.
	Luźna zatyczka węża spustowego	Docisnąć zatyczkę spustową.
	Baterie wymagają naładowania	Naładować baterie (zob. Ładowanie baterii)
	Luźny silnik odkurzacza	Dokręcić śruby montujące silnik odkurzacza. Nie za mocno, żeby nie uszkodzić.
	Luźna pokrywa zbiornika odzysku wody	Sprawdzić bezpieczne zamontowanie pokrywy zbiornika odzysku wody
	Zapchany wlot do zbiornika odzysku wody	Opróżnić zbiornik odzysku wody i przechylić go na bok. Sprawdzić wlot..
	Zbiornik odzysku jest pełny	Opróżnić zbiornik odzysku wody.
	Mechanizm oddzielania kłaczek jest zapchany	Wyjąć mechanizm sita zaworu ze środka zbiornika do odzysku wody

## PRZECHOWYWANIE



### UWAGA!

Jeśli maszyna ma być magazynowana w miejscu narażonym na mróz, to należy dopilnować by obydwa zbiorniki zostały opróżnione i osuszone!

- Przechowywać w suchym miejscu, zabezpieczoną przed mrozem.
- Temperatura przechowania maszyny musi mieścić się w zakresie 0°C do +40°C,
- Przechowywać tylko w pomieszczeniach.
- Zawsze ściągać trzymak pad / szczotkę
- Maszynę przechowywać w pozycji ze ściągaczką uniesioną nad podłogą.
- Jeśli miejsce przechowania narażone jest na działanie mrozu, to dopilnować by wcześniej maszynę opróżnić z wszelkich płynów. Gwarancja nie obejmuje żadnych szkód powstałych w wyniku działania mrozu.
- Opróżnić zbiornik odzysku wody i zdjąć pokrywę, tak by zbiornik mógł "oddychać" w trakcie przechowania.
- Opróżnić zbiornik roztworu myjącego z płynu.

## UTYLIZACJA CZYSZCZARKI

Przed utylizacją starej czyszczarki:

- Usunąć baterie
  - Nie wyrzucać z normalnymi odpadami.



Zgodnie Dyrektywą 2002/96/EC dotyczącą utylizacji starego sprzętu elektrycznego i elektronicznego, należy go gromadzić osobno i utylizować ekologicznie. Skontaktować się z miejscową instytucją lub specjalistyczną firmą po więcej informacji.



## TARTALOMJEGYZÉK

<b>BEVEZETÉS</b> .....	<b>236</b>
A KÉZIKÖNYV CÉLJA ÉS TARTALMA .....	236
KINEK SZÓL EZ AZ ÚTMUTATÓ? .....	236
HOL TARTSA EZT A KÉZIKÖNYVET .....	236
MEGFELELŐSÉGI nyilatkozat .....	236
AZONOSÍTÁSHOZ SZÜKSÉGES ADATOK .....	236
EGYÉB REFERENCIA KÉZIKÖNYVEK .....	236
PÓTALKARÉSZEK ÉS KARBANTARTÁS .....	236
VÁLTOZTATÁSOK ÉS JAVÍTÁSOK .....	236
CÉL ÉS RENDELTETÉSSZERŰ HASZNÁLAT .....	236
KONVENCIÓK .....	237
<b>KICSOMAGOLÁS/SZÁLLÍTÁS</b> .....	<b>237</b>
<b>BIZTONSÁG</b> .....	<b>237</b>
AZ UTASÍTÁSOK MEGJELÖLÉSÉRE HASZNÁLT SZIMBÓLUMOK .....	237
ÁLTALÁNOS UTASÍTÁSOK .....	238
<b>A GÉP LEÍRÁSA</b> .....	<b>241</b>
A GÉP SZERKEZETE .....	241
TARTOZÉKOK/OPCIÓK .....	242
KAPCSOLÁSI RAJZ (FANG20HD-EU) .....	244
<b>MŰKÖDÉS</b> .....	<b>245</b>
A GÉP ELINDÍTÁSA ELŐTT .....	245
A GÉP MŰKÖDTETÉSE KÖZBEN .....	249
<b>KARBANTARTÁS</b> .....	<b>251</b>
NAPI KARBANTARTÁS .....	251
HETI KARBANTARTÁS .....	251
HAVI KARBANTARTÁS .....	251
VÁKUUMRENDSZERŰ SZŰRŐTISZTÍTÓ .....	251
TISZTÍTÓSZER/A VÍZSZŰRŐ TISZTÍTÁSA .....	251
GUMITÖRLŐ LAPÁT ELLENŐRZÉSE ÉS CSERÉJE .....	252
KÖRKEFE/TÁRCSA TISZTÍTÁSA .....	252
<b>HIBAELHÁRÍTÁS</b> .....	<b>253</b>
<b>TÁROLÁS</b> .....	<b>254</b>
<b>TISZTÍTÓGÉP ÚJRAHASZNOSÍTÁSA</b> .....	<b>254</b>

## BEVEZETÉS



### MEGJEGYZÉS

A zárójelben lévő számok a Gép leírása fejezetben található elemekre utalnak.

## A KÉZIKÖNYV CÉLJA ÉS TARTALMA

Ezen Kézikönyv célja az, hogy a gépkezelőt minden szükséges információval ellássa a gép megfelelő, biztonságos és önálló használatához. Műszaki adatokat, biztonsági és működési, raktározási és karbantartási leírásokat, a pótalkatrészek leírását és az ártalmatlanítás módját tartalmazza. Mielőtt bármilyen műveletbe kezdene a géppel, szakképzett gépkezelőknek és műszaki szakembereknek figyelmesen el kell olvasniuk ezt a kezelési útmutatót. További információkért, vagy amennyiben kétsége támad bármely utasítás értelmezését illetően, vegye fel a kapcsolatot a Viper vállalattal.

## KINEK SZÓL EZ AZ ÚTMUTATÓ?

Ez az útmutató szakképzett gépkezelőknek és műszaki szakembereknek szól azért, hogy a gépet megfelelően karban tudják tartani.

A gépkezelő nem végezhet el a szakképzett műszaki szakember számára fenntartott semmilyen műveletet. A Viper nem felelős az ezen tiltás figyelmebe nem vételéből eredő esetleges károkért.

## HOL TARTSA EZT A KÉZIKÖNYVET

A Kézikönyvet a gép mellett kell tartani szükség esetére, távol folyadékoktól és egyéb anyagoktól, amelyek esetleg kárt tehetnek benne.

## MEGFELELŐSÉGI nyilatkozat

A géphez mellékelt megfelelőségi nyilatkozat igazolja, hogy a gép megfelel a hatályos törvényeknek.



### MEGJEGYZÉS

A gép dokumentációjához jár az eredeti megfelelőségi nyilatkozat két példánya.  
A CE-nyilatkozat a Gyors kezdési útmutatóban kerül kinyomtatásra.

## AZONOSÍTÁSHOZ SZÜKSÉGES ADATOK

A gép modellje és sorozatszama a táblán kerül feltüntetésre.

Ez az információ a pótalkatrészek beszerzéséhez fontos. Használja a következő táblázatot a gép adatainak leírásához.

A GÉP modellje.....
A GÉP sorozatszama.....

## EGYÉB REFERENCIA KÉZIKÖNYVEK

- Szervizkönyv (megtételezheti a Viper Szervizközpontokban)
- Pótalkatrészek listája (lásd a [www.vipercleaning.eu](http://www.vipercleaning.eu) weboldalon)

## PÓTALKARÉSZEK ÉS KARBANTARTÁS

Minden szükséges működési, karbantartási és javítási munkálatot a Viper Szervizközpont szakképzett alkalmazottjának kell elvégeznie. Csak eredeti pótalkatrész és tartozék használható fel. Vegye fel a kapcsolatot a Viperrel, amennyiben valamilyen szolgáltatásra lenne szüksége vagy pótalkatrészt, tartozékot szeretne rendelni.

## VÁLTOZTATÁSOK ÉS JAVÍTÁSOK

A Viper folyamatosan fejleszti a termékeit és fenntartja a jogot a változtatásokra és fejlesztésekre, és nem köteles ezen fejlesztéseket a korábban eladott termékekre alkalmaznia.

A tartozékok bármiféle megváltoztatásához és/vagy hozzátoldásához szükség van a Viper jóváhagyására és végrehajtására.

## CÉL ÉS RENDELTETÉSSZERŰ HASZNÁLAT

Az összes automatikus tisztító gép kizárólagosan csak épületbelső vízálló padlóburkolatainak nedves tisztítására alkalmazható.

Ezek a gépek nem használhatók padlószőnyegek és szőnyegek tisztítására

Ez a készülék csak kereskedelmi használatra alkalmas, mint például hotelek, iskolák, kórházak, gyárak, boltok, irodák és bérleti vállalkozások számára.

Minden más célra való alkalmazás nem rendeltetésszerű használatnak minősül. A gyártó semmilyen felelősséget nem vállal az ebből eredő esetleges károkért. A nem rendeltetésszerű használat miatt fellépő kockázatokért egyedül a felhasználó felel.

A helyes használat magában foglalja a gyártó által pontosított megfelelő működtetést, szervizelést és javításokat.

A felhasználó által az automatikus gépeken végzett bármiféle változtatás mentesíti a gyártót a keletkezett kár iránti felelősségvállalás alól.

Használat előtt a padlóburkolatokat le kell ellenőrizni, hogy elviselik-e ezt a tisztítási módszert!

Nézze meg a felszíni nyomás értékét rugalmas padló esetében, például a tornatermekben!

A gyártó nem felel a nem megfelelő kefék és tisztítószeres használatából eredő, a gépet és a padlóburkolatot érő károkért.

## KONVENCIÓK

Az előre, hátra, elülső rész, hátsó rész, baloldal, jobboldal és fent fogalmak az eszközt működtető személy helyzetéhez képest lettek meghatározva, azaz a munkahelyzethez képest.

## KICSOMAGOLÁS/SZÁLLÍTÁS

A gép kicsomagolásához pontosan kövesse a csomagon lévő utasításokat.

Amint leszállították a gépet, ellenőrizze le, hogy a csomag és a gép nem sérült meg a szállítás során. Látható károk esetében tartsa meg a csomagot és ellenőriztesse le a csomagot kiszállító fuvarozóval. Hívja haladéktalanul a szállítót, hogy a kárigényt ki tudja tölteni.

Ellenőrizze le a csomag tartalmát, és bizonyosodjon meg arról, hogy a következő elemeket tartalmazza:




- gép
- gumibetétes törlőegység
- körkefe (és tárcsa)

## BIZTONSÁG

A következő szimbólumok a potenciálisan veszélyes helyzeteket jelzik. Mindig figyelmesen olvassa el a szükséges óvintézkedéseket, hogy megvédje az embereket és a tulajdont.

A gépkezelő közreműködése elengedhetetlen a sérülések megelőzésére. Semmilyen balesetmegelőző program nem lehet eredményes a gép működéséért felelős személy együttműködése nélkül. A legtöbb, gyárban, munka vagy mozgás közben bekövetkező baleset oka az elővigyázatosság legegyszerűbb szabályainak be nem tartásából ered. Egy elővigyázatos és körültekintő gépkezelő a legjobb garancia bármely balesetmegelőző program sikeres teljesítéséért.

## AZ UTASÍTÁSOK MEGJELÖLÉSÉRE HASZNÁLT SZIMBÓLUMOK

	<p><b>VESZÉLY!</b> Veszély, amely egyenesen vezet súlyos vagy visszafordíthatatlan sérülésekhez, vagy halált okozhat.</p>
	<p><b>FIGYELMEZTETÉS!</b> A veszély komoly sérülésekhez vagy akár halálhoz vezethet..</p>
	<p><b>FIGYELEM!</b> A veszély kisebb sérülésekhez és károkhoz vezethet.</p>



## MEGJEGYZÉS

Jelzi a fontos és hasznos funkciókkal kapcsolatos megjegyzéseket.

## ÁLTALÁNOS UTASÍTÁSOK

Alább található a különleges figyelmeztetéseket és óvintézkedéseket, amelyek az embereket és a gépet érő lehetséges károkról tájékoztatnak.

A készüléket

- csak olyan emberek használhatják, akiket a helyes működtetésre kiképeztek és nyíltan megbízták a feladattal.
- csak felügyelet alatt lehet működtetni.
- gyerekek ne használják.

A munkaterület a tisztítógép mögött van.

Ne használjon nem biztonságos munkamódszert.

Mindkét kezét tartsa a fogantyún használat közben.

Amikor megállt a géppel, azonnal kapcsolja ki a keféit, hogy az ne okozzon kárt a padlóburkolatban.

Kapcsolja ki a készüléket, és húzza ki az akkumulátor csatlakozóját a következő esetekben:

- Tisztítás és szervizelés előtt
- Az alkotóelemek kicserélése előtt
- A készülék átkapcsolása előtt

A tisztítógép alkalmazása a jelenleg hatályos nemzeti szabályozás alatt áll. A használati utasításon és az abban az országban érvényes kötelező baleset-megelőzési szabályozásokon kívül olvassa át a bevett szabályokat a biztonságos és szakszerű munkavégzés érdekében.

## KÖZLEKEDÉS

Amikor a tisztítógépet liftben szállítja

- figyeljen az érvényben lévő biztonsági szabályozásra, különös tekintettel a szállítási kapacitásra.

## MŰKÖDÉS

Annak megelőzésére, hogy illetéktelenek használják a gépet, a bekapcsoló gombot ki kell kapcsolnia vagy le kell zárnia, például az indítókulcs eltávolításával.

Tegyen meg minden szükséges óvintézkedést, hogy a gép mozgó részeibe ne akadjon bele haj, ékszer vagy laza ruhadarab.

A gép használata előtt zárja be az összes ajtót és/vagy fedelet.

A gép működési hőmérséklete 0°C és +40°C között van.

A páratartalomnak 30% és 95% között kell lennie

Ne használja a gépet közlekedési eszközként.

Tűz esetén használjon porral, és ne vízzel működő tűzoltó készüléket.

Ne változtassa meg a készülék biztonsági előírásait, és pontosan kövesse a szokásos karbantartási utasításokat.

Vigyázzon, hogy semmilyen tárgy ne kerüljön a nyílásokba. Ne használja a gépet, ha a nyílások eldugultak. Mindig tisztítsa meg a nyílásokat a portól, hajtól és más egyéb idegen anyagtól, hogy azok ne akadályozzák a levegő áramlását.

Ne mozdítsa el vagy módosítsa a géphez rögzített táblákat.

Amennyiben a gépet az előírásoknak megfelelően használja, a vibrációk nem veszélyesek. A gép vibrációs szintje kisebb, mint 2,5 m/s<sup>2</sup> (98/37/EEC-EN 1033/1995).

A kezét/karokat érő vibrációs szint jóval 2,5 m/s<sup>2</sup> alatt van (az ISO 5349-es szabvány szerint került lemérésre), amely egy 8 órán át folyamatosan tartó munkaperiódus határértéke.

A gépet tilos úton vagy közúton használni.

A Viper gépeit csak szabványos tisztítószerrel lehet használni, amelyek nem károsítják a Viper gépek egyik alkatrészét sem (például ne használjon oldószert vagy más agresszív folyékony anyagot). A Viper nem fog fizetni a Viper gépekben használt

agresszív szerek használatából eredő kárigények után. Amennyiben speciális tisztítószerre van szüksége, kérjük, forduljon a Viper forgalmazóhoz.

Ügyeljen a gép szállítására fagy esetén. A tartályban és a tömlőkben lévő víz megfagyhat és súlyosan károsíthatja a gépet.

## KARBANTARTÁS

A gép megfelelő és biztonságos működéséhez az ezen Útmutatóban a releváns fejezetben beütemezett karbantartást csak arra jogosult személy vagy a Viper Szervizközpont végezheti el.

Figyelmesen olvassa el az összes instrukciót, mielőtt bármilyen karbantartási/javítási munkálatba kezdene.

Ne tartózkodjon a felemelt gép alatt anélkül, hogy biztonságosan nem rögzítette.

Ne mossa le a gépet közvetlen vagy nagynyomású vízszaggal, vagy maró hatású anyaggal.

## GARANCIA


Az általános üzleti feltételeink a garanciára tekintettel alkalmazhatók.


A készüléken végrehajtott bármilyen jogosulatlan módosítás, nem megfelelő kefék és tisztítószer használata, valamint a gép nem rendeltetésszerű használata mentesíti a gyártót a keletkezett kárért való felelősségvállalástól.

## TESZTEK ÉS JÓVÁHAGYÁSOK

Az elektromos tesztek a BGV A3-mal, a biztonsági előírásokról szóló rendelettel és a DIN VDE 0701 1. és 3. részeivel összhangban kell végrehajtani. Ezeket a tesztek szabályos időközönként és minden módosítás után el kell végezni a DIN VDE 0702-nek megfelelően


## ELEKTROMOS ALKATRÉSZEK

	<p><b>VESZÉLY</b></p> <p>Akkumulátorok. Robbanásveszély.</p> <ul style="list-style-type: none"> <li>➤ Az akkumulátor töltése közben nagy robbanásveszélyű hidrogéngáz képződik. Tartsa a tartályt nyitva töltés közben, amelyet jól szellőző helyen és nyílt lángtól távol végezzen el.</li> <li>➤ A tűzveszély, áramütés, vagy sérülés csökkentésére ne hagyja a gépet őrizetlenül, miközben be van dugva. Mielőtt bármilyen karbantartási műveletet végezne rajta, húzza ki a töltőkábelt az elektromos hálózattól.</li> <li>➤ Ne dohányozzon, miközben tölti az akkumulátorokat.</li> <li>➤ A nem eredeti pótalkatrészek, tartozékok, akkumulátorok és töltők használata csökkenti a készülék biztonságos működtetését. Csak a Vipertől származó pótalkatrészeket és tartozékokat, és a Viper által javasolt akkumulátorokat és töltőket használja. Amennyiben nem eredeti és nem javasolt akkumulátorokat és töltőket használ, a VIPER nem fedezi az ezek alkalmazásából származó esetleges károkat.</li> </ul>
---	---


	<p><b>VIGYÁZAT</b></p> <p>Akkumulátortöltő. Áramütés hibás hálózati csatlakozó vezeték vagy töltőkábel miatt.</p> <p>A hibás hálózati csatlakozó vagy töltőkábel megérintése súlyos vagy akár halálos sérüléseket okozhat.</p> <ul style="list-style-type: none"> <li>➤ Tartsa az akkumulátort távol szikrától, lángtól és izzó anyagtól. A normál működés közben robbanásveszélyes gázok szabadulnak ki.</li> <li>➤ Mielőtt használni kezdené az akkumulátortöltőt, bizonyosodjon meg arról, hogy a gép sorozatszámlelapját mutató lapon lévő frekvencia és feszültségértékek megegyeznek az elektromos hálózati feszültséggel.</li> <li>➤ Vigyázzon arra, hogy ne sértse fel a hálózati tápkábelt (például ne menjen át rajta géppel, ne húzza vagy ne nyomja össze).</li> <li>➤ Rendszeresen ellenőrizze, hogy a hálózati kábel nem sérült-e meg vagy nem mutatja-e anyagfáradás jeleit.</li> </ul>
---	--

	<ul style="list-style-type: none"> <li>➤ A hibás hálózati csatlakozókábelt cseréltesse ki a Viper szerviz erre jogosult alkalmazottjával vagy egy szakképzett villanyszerelővel, mielőtt újra elkezdene használni a készüléket.</li> <li>➤ A gépet ne húzza, ne szállítsa az akkumulátortöltő kábelével, és soha ne használja ezt a kábelt fogantyúként.</li> <li>➤ Ne zárja rá az ajtót az akkumulátortöltő kábelére, és ne húzza át a kábelt éles széleken vagy sarkokon. Tartsa távol az akkumulátortöltő kábelét fűtött felületektől.</li> <li>➤ Ne töltsen az akkumulátorokat, amennyiben a töltőkábel vagy a csatlakozó sérült. Ha a gép nem megfelelően működik, megsérült, kinn maradt a szabadban, vízbe esett, vigye vissza a Szervizközpontba.</li> </ul>
--	--


## LÉPCSŐK ÉS LEJTŐK

	<p><b>VIGYÁZAT</b></p> <p>Lépcsőn és lejtőn fennáll a kockázata, hogy a gép felborul vagy megcsúszik. Amennyiben lépcsőn vagy lejtőn használja a gépet, fennáll a személyt vagy a tulajdont érő sérülés, kár kockázata.</p> <ul style="list-style-type: none"> <li>➤ Ne használja lépcsőn.</li> <li>➤ Csak maximum 2 %-os lejtőn lévő sík felületeken használja a gépet.</li> </ul>
---	---


## PADLÓBURKOLAT

	<p><b>VIGYÁZAT</b></p> <p>Károsíthatja az érzékeny padlóburkolatot.</p> <p>A tisztítás során a különösen érzékeny padlóburkolatot károsíthatja.</p> <ul style="list-style-type: none"> <li>➤ A tisztítógép használata előtt ellenőrizze le, hogy a padlóburkolaton lehet-e használni a gépet.</li> <li>➤ Figyeljen a rugalmas padlók nyomására, például tornatermekben.</li> <li>➤ Csak a Viper által jóváhagyott tisztítószeret használja.</li> </ul>
--	--


## EGÉSZSÉGRE ÁRTALMAS ANYAGOK

	<p><b>FIGYELEM</b></p> <p>Egészségre veszélyes anyagok találhatóak a padlóburkolatban.</p> <p>A padlóburkolat az egészségre ártalmas anyagokat tartalmazhat, amelyek kioldódhatnak tisztítás során.</p> <ul style="list-style-type: none"> <li>➤ Ne tisztítsa a padlóburkolatot, amelyből az egészségre veszélyes porok és folyadékok oldódhatnak ki.</li> </ul>
---	--

## ROBBANÁSVESZÉLY

	<p><b>FIGYELEM</b></p> <p>Gyúlékony és robbanásveszélyes anyagok. Robbanás veszélye áll fenn robbanásveszélyes környezetben vagy olyan helyen, ahol gyúlékony és robbanékony anyagok kerülnek tárolásra.</p> <ul style="list-style-type: none"> <li>➤ Ne működtesse a gépet veszélyes, gyúlékony és/vagy robbanásveszélyes porok, folyadékok vagy gázok közelében.</li> </ul>
---	---

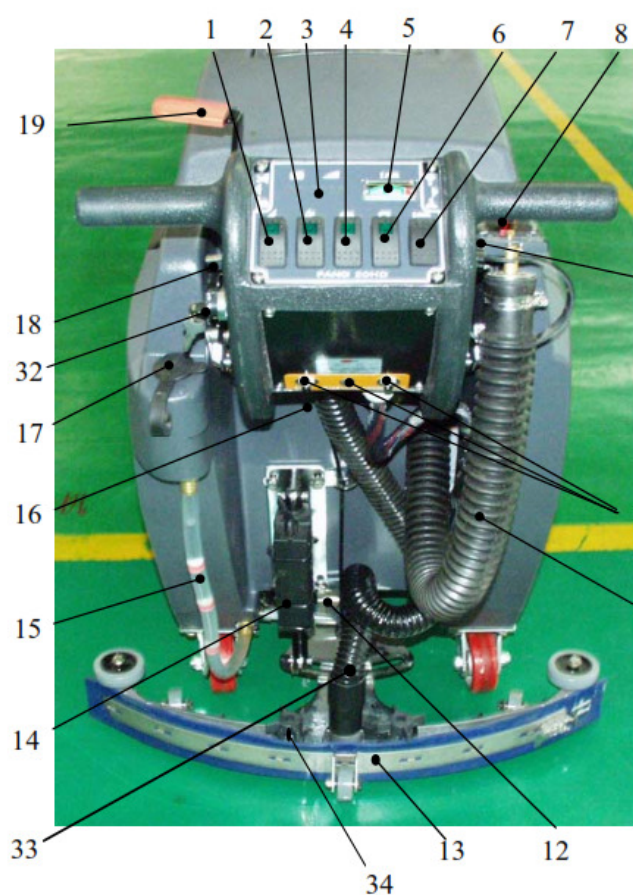
## PÓTALKATRÉSZEK ÉS TARTOZÉKOK

	<p><b>VIGYÁZAT</b></p> <p>Nem eredeti alkatrészek és nem megfelelő tisztítószer.</p> <p>A nem eredeti alkatrészek és nem megfelelő tisztítószer használata ronthatja a készülék biztonságát és kárt okozhat.</p> <ul style="list-style-type: none"> <li>➤ Csak a Vipertől származó pótalkatrészeket és tartozékokat használjon.</li> <li>➤ Csak a készülékhez adott vagy kezelési útmutatóban szereplő tartozékokat és tisztítószeret használjon.</li> </ul>
---	--



## A GÉP LEÍRÁSA

## A GÉP SZERKEZETE



1. Főkapcsoló BE/KI kapcsolója
2. Vákuum BE/KI kapcsolója
3. Az akkumulátor szintmérője
4. A körkefe BE/KI kapcsolója
5. A körkefe nyomásmérője
6. Tisztítószer BE/KI kapcsolója
7. A körkefe nyomásának FEL/LE kapcsolója
8. Tisztítószer adagoló gomb
9. Fordulatszám szabályozó gomb
10. Áramkör megszakítók
11. Segéd tartály leeresztő tömlője
12. A gumitörlő-egység kiigazító anyacsavarja és tengelye
13. Gumibetétes törlőegység
14. Súrolófej működtető
15. A tisztítószeres tartály átlátszó csöve

16. Konzol kiigazító karok
17. Hátsó oldattöltő
18. Hátramenet bekapcsoló
19. A gumitörlő emelője
20. Ellenőrzőpanel
21. Billenőkar
22. A tisztítószeres tartály
23. Hátsó görgők
24. Közlekedési kerekek
25. Súrolófej
26. A súrolófej alja
27. Az alj panelének retesze
28. Védő görgők
29. Elülső tisztítószeres töltő
30. Segéd tartály
31. A segéd tank fedele
32. Kulcsos kapcsoló
33. A gumitörlő vákuum tömlője
34. A gumitörlő szerelési kézi kereke

A gumitörlő szerelési kézi kereke

**TARTOZÉKOK/OPCIÓK**

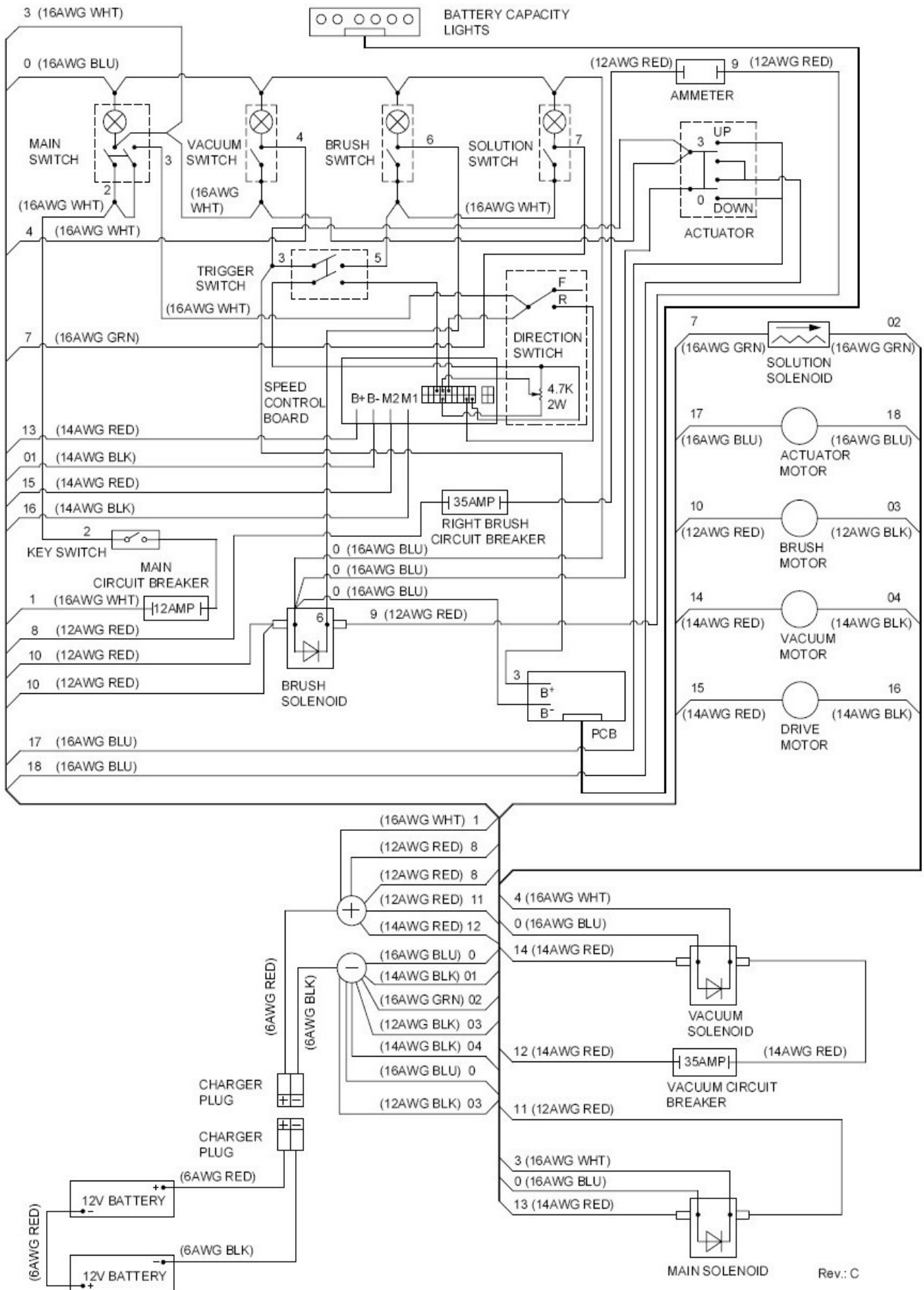
A szabványos elemek mellett a gép felszerelhető a következő tartozékokkal/opciókkal a gép specifikus használati útmutatójának megfelelően:

- Kefe
- Tárcsa

Amennyiben az opcionális tartozékokról további kérdése lenne, vegye fel a kapcsolatot egy hivatalos kiskereskedővel.

**MŰSZAKI ADATOK**

Modell		<b>FANG 20HD-EU</b> <b>(1 körkefe/tárcsatartó, meghajtó rendszerrel)</b>
A gép magassága	mm	990
A két tartály kapacitása	l	61
A segéd tartály kapacitása	l	61
Az elülső kerék átmérője	mm	76
A hátsó kerék átmérője	mm	200
A vákuum rendszer teljesítménye	W	400
A meghajtórendszer teljesítménye	W	250
Sebesség (változtatható)	km/h	0 – 4.5
Kapaszkodóképesség	%	2
Hangnyomásszint a munkaállomáson	dB(A)	69
Szabványos akkumulátorok	Ah @ 20 h	2 x 12V/215AmP.hR
A vákuum rendszer áramköri kapacitása	mm H <sub>2</sub> O	1.397
Tisztítási szélesség	mm	510
A törölőrész szélessége	mm	750
A gép maximum hossza	mm	1.350
A gép szélessége a gumitörők nélkül	mm	560
A körkefe átmérője	mm	510
Súly üres tartállyal és elemek nélkül	kg	107
Maximum súly elemekkel és tele tartállyal	kg	181
A körkefe motor teljesítménye	W	560
Seprési sebesség	rpm	200
A körkefe/tárcsa nyomása	kg	UP TO91



## KAPCSOLÁSI RAJZ (FANG20HD-EU)

## KAPCSOLÁSI RAJZ (FANG20HD-EU)


## Színkódok

BLK	Fekete
BLU	Kék
GRU	Zöld
RED	Piros
WHT	Fehér

1	BATTERY CAPACITY LIGHTS	AZ AKKUMULÁTOR KAPACITÁSÁT JELZŐ FÉNY
2	MAIN SWITCH	FŐKAPCSOLÓ
3	VACUUM SWITCH	VÁKUUM KAPCSOLÓGOMBJA
4	BRUSH SWITCH	KÖRKEFE KAPCSOLÓGOMBJA
5	SOLUTION SWITCH	OLDAT KAPCSOLÓGOMBJA
6	AMMETER	AMPERMÉRŐ
7	ACTUATOR	INDÍTÓKAR
8	TRIGGER SWITCH	BILLENŐKAR KAPCSOLÓJA
9	SPEED CONTROL BOARD	FORDULATSZÁM-SZABÁLYOZÓ TÁBLA
10	DIRECTION SWITCH	IRÁNYÍTÁS KAPCSOLÓ
11	RIGHT BRUSH CIRCUIT BREAKER	JOBBDALI KÖRKEFE ÁRAMKÖR MEGSZAKÍTÓJA
12	KEY SWITCH	KULCSOS KAPCSOLÓ
13	MAIN CIRCUIT BREAKER	FŐ ÁRAMKÖRI MEGSZAKÍTÓ
14	BRUSH SOLENOID	KÖRKEFE SZOLENOID
15	PCB	PCB
16	SOLUTION SOLENOID	OLDAT SZOLENOID
17	ACTUATOR MOTOR	RENDSZERMŰKÖDTETŐ MOTOR
18	BRUSH MOTOR	A KÖRKEFE MOTORJA
19	VACUUM MOTOR	VÁKUUMMOTOR
20	DRIVE MOTOR	MEGHAJTÓRENDSZER
21	VACUUM SOLENOID	VÁKUMTEKERCS
22	VACUUM CIRCUIT BREAKER	VÁKUUM ÁRAMKÖR MEGSZAKÍTÓ
23	MAIN SOLENIOD	FŐ SZOLENOID
24	CHARGER PLUG	A TÖLTŐ CSATLAKOZÓJA
25	BATTERY	AKKUMULÁTOR


## MŰKÖDÉS

## A GÉP ELINDÍTÁSA ELŐTT

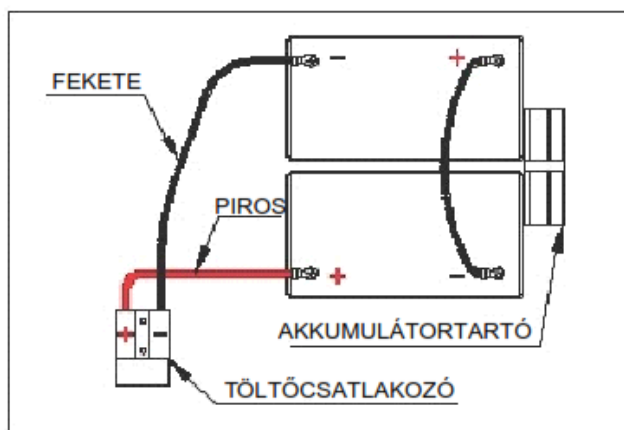
	<p><b>FIGYELEM!</b> A készüléken néhány helyen a következő feliratokat mutató öntapadó lap található: VESZÉLY FIGYELEM VIGYÁZAT KONZULTÁCIÓ</p>
---	---

Ezen Útmutató olvasása közben a gépkezelőnek oda kell figyelnie a lapokon található szimbólumokra. Semmilyen okból kifolyólag ne takarja le ezeket a lapokat, és azonnal pótolja őket sérülés esetén.

## AZ AKKUMULÁTOR BEHELYEZÉSE

	<p><b>FIGYELEM!</b> A készülék elektromos alkotóelemei súlyosan megsérülhetnek, ha az akkumulátorokat nem megfelelő módon helyezik be vagy csatlakoztatják. Az akkumulátorokat szakembernek kell telepítenie.</p> <ul style="list-style-type: none"> <li>➤ Állítsa be a funkciót az elektromos táblán és az akkumulátortöltőt (opcionális) a használt akkumulátor típusának megfelelően (WET vagy GEL).</li> <li>➤ Behelyezés előtt ellenőrizze, hogy az akkumulátorok nem sérültek-e meg.</li> <li>➤ Húzza ki az akkumulátor csatlakozóját és a töltőkábelt.</li> <li>➤ Az akkumulátorokat nagy gonddal kezelje.</li> <li>➤ Helyezze be a géphez mellékelt akkumulátorterminal védősapkát.</li> </ul>
---	--

A gépbe két darab 12 V akkumulátort kell behelyezni az alábbi rajz szerint:




A gyártó nem ad akkumulátort a géphez, de a vásárlók vehetnek hozzá (WET vagy GEL).

- Vásároljon megfelelő akkumulátorokat (nézze meg a Műszaki adatok fejezetet).
- Az akkumulátor kiválasztásához és behelyezéséhez kérjen meg egy szakképzett akkumulátorkezelőt.
- A gépet és az akkumulátortöltőt a behelyezett akkumulátorok típusának megfelelően (WET vagy GEL) a következő fejezetben mutatottak szerint állítsa be.

- a) Amikor az akkumulátorok (WET vagy GEL) már behelyezésre kerültek és készek a használatra.
- Ellenőrizze, hogy a töltő csatlakozójával az akkumulátorok csatlakoztatva lettek a géphez.
  - Helyezze be az indítókulcsot (32) és fordítsa „ON/BE” helyzetbe.  
Amennyiben a zöld figyelmeztető jelzés (3) bekapcsol, az akkumulátorok készen állnak a használatra.  
A sárga vagy a piros figyelmeztető jelzések (3) bekapcsolódása azt jelzi, hogy az akkumulátorokat fel kell tölteni (a Karbantartás fejezetben nézze meg a művelet mikéntjét).

b) Amikor az akkumulátorok (WET vagy GEL), de elektrolitok nélkül

- Nyissa fel a fedelet (31) és ellenőrizze a segéd tartályt (30), hogy üres-e, ha nem, ürítse ki a leeresztő tömlővel (11).
- Óvatosan emelje fel a tartályt (30).

	<p><b>FIGYELEM!</b> Kénsav használata közben nagy körültekintéssel járjon el, mert korróziót okozhat. Amennyiben mégis bőrre vagy szembe kerülne, alaposan öblítse ki vízzel, és keresen fel egy orvost. Az akkumulátorokat jól szellőző helyen kell feltölteni. Védőkesztyű viselése kötelező.</p>
---	---



- Töltse fel az akkumulátorcellákat az akkumulátorokhoz használható kénsavval (sűrűség 1,27-1,29 kg 25°C-on) az Akkumulátorokról szóló kézikönyvben leírt utasításoknak megfelelően. A kénsav megfelelően felhasználható mennyisége az Akkumulátorokról szóló kézikönyvben került megjelölésre.
- A padló károsodásának elkerüléséért a töltés után az akkumulátorok tetejét egy ronggyal törölje le a savat és a vizet is.
- Az Akkumulátorokról szóló kézikönyvben található utasításoknak megfelelően az akkumulátorokat hagyja pihenni és tölteni a kénsavval.
- Töltse fel az akkumulátorokat (a Karbantartás fejezetben nézze meg a művelet mikéntjét)

### AKKUMULÁTORTÖLTŐ BERENDEZÉS BEÁLLÍTÁSA

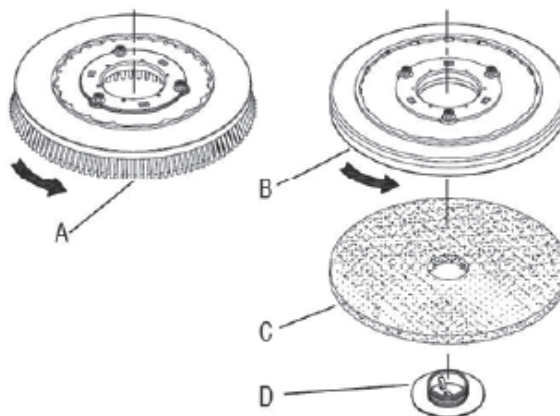
- A töltő alapbeállítása a gyárból származó AGM, Gel, SLA, VRLA esetében közös.
- Amennyiben szükséges, csak ólom akkumulátoroknál használja a WET pozíciót. Kérjük, vegye fel a kapcsolatot a kereskedővel.

### BEÜZEMELÉS ELŐTTI ELLENŐRZÉS

- Seperje le a gép külsejét.
- Győződjön meg arról, hogy a gép feszültsége megegyezik a helyi feszültséggel.
- Ellenőrizze, hogy a gumibetétes törlő helyesen lett-e felszerelve.
- Ellenőrizze, hogy a kefe / pad helyesen lett-e felszerelve.

### A TÁRCSA VAGY KÖRKEFE BEHELYEZÉSE

- Győződjön meg arról, hogy kikapcsolta a gépet.
- Engedje le a kefefejét a padlóra a pedálra való lépéssel, és nyomja előre a pedált.
- Döntse a készüléket hátra, hogy elérje a motort.



#### MEGJEGYZÉS

Távolítsa el a gumibetét-egységet, mielőtt a gépet hátrafelé döntené. Gyorsabbá és könnyebbé teszi a folyamatot.



#### FIGYELEM!

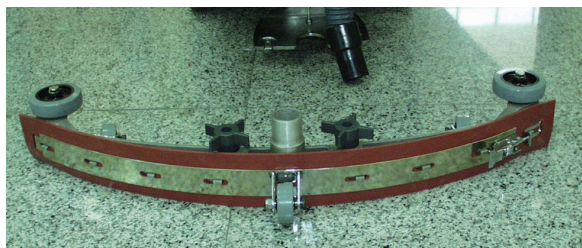
Ne tartsa a gépet sokáig hátra döntve, mert az akkumulátorsav kifogyhat az akkumulátorból.

- Amennyiben tárcsát használ, először csatlakoztassa a megfelelő padot a tárcsa felszínéhez.
- Szerelje fel a tárcsát vagy a körkefét a motor csatlakozóra a három pecek és a három motorház-lyuk egymáshoz való igazításával. Amikor a lyukakban vannak, fordítsa el a tárcsát a rugós csipesz felé, hogy a helyére pattanjon.

### A GUMIBETÉTES TÖRLŐ FELEMELÉSE

- Húzza vissza a gumitörlő felvonó karját a gumitörlő egység felemeléséért.
- Lazítsa meg a gumibetéten a két gombot, és csúsztassa a gumibetétet a gumibetét-egység hátulján a hornyokba. (a gumibetét kerekai hátrafelé nézzenek)
- Óvatosan fogja meg a gombot.





## A TISZTÍTÓSZERES TARTÁLY MEGTÖLTÉSE

A Fang 20HD-EU két különböző helyen tölthető fel:

- Elülső töltési terület tömlőhöz vagy vödörhöz.
  - Hátsó töltési terület kizárólag tömlőhöz.
- Döntse el, hogy melyik helyen kívánja feltölteni a gépet.
  - Töltse fel a tartályt 52 liter vízzel. (a víz hőmérséklete nem lehet több 40°C-nál). A gép hátoldalon bal oldalt az átlátszó csövön található gallon jelölések, hogy segítsenek meghatározni a tisztítószeres tartályban lévő vízszintet.



### MEGJEGYZÉS

Amennyiben vödörrel tölti fel a tisztítószeres tartályt, győződjön meg arról, hogy a vödör tiszta. Így meg tudja előzni a lerakódásokat, amelyek eltömíthetik a csöveket vagy a tekereset.



### FIGYELEM!

Ne tegyen semmilyen gyúlékony anyagot a tisztítószeres tartályba, mert az robbanást vagy tüzet okozhat. Csak javasolt tisztítószeret használjon. Lépjen kapcsolatba az illetékes forgalmazóval, hogy ő megfelelő tisztítószereket ajánlhasson.

## A GÉP ELINDÍTÁSA ÉS LEÁLLÍTÁSA



### FIGYELEM!

Ne használja addig a gépet, amíg ezt a kézikönyvet nem olvasta el és meg nem értette.

- Állítsa be az ellenőrzőpanelt kényelmes magasságba úgy, hogy a panel alatt közvetlenül nyomja meg a két hüvelyujjával az emelőkart (16).
- Eressze le a gumibetétes törlőegységet a padlóra a felvonó kar (19) záró helyzetéből való kiengedésével.
- Eressze le a kefefejet a padlóra a kefe nyomáskapcsolójának (7) „ON/BE” helyzetbe való forgatásával.
- Kapcsolja a főkapcsolót (1) „ON/BE” helyzetbe.
- Kapcsolja a kefét mozgató motor gombját (4) „ON/BE” helyzetbe.
- Kapcsolja a vákuummotor gombját (2) „ON/BE” helyzetbe.
- Kapcsolja a tisztítószert adagoló gombot (6) „ON/BE” helyzetbe.
  - a folyadék nem indul meg addig, amíg a billenőkar meghúzásra nem kerül.
- A Fang 20HD-EU önműködő. A sebességet egy, az ellenőrzőpanel jobb oldalán elhelyezkedő gömbfogantyúval (9) tudja állítani.
- A Fang 20HD-EU hátrafelé is tud menni. Ezt az ellenőrzőpanel bal oldalán elhelyezkedő váltókapcsolóval (18) tudja elérni.
- A súrolás elkezdéséhez húzza meg az egyik vagy mindkét billenőkart (21). Mikor ezeket a karokat megúsza, a kefe elkezd spin forogni és a tisztítószer elkezd áramolni. A FANG20HD-EU:önmagát fogja hajtani. A FANG20HD-EU: A gép mozgásával elkezdődik a súrolás.



### FIGYELEM!

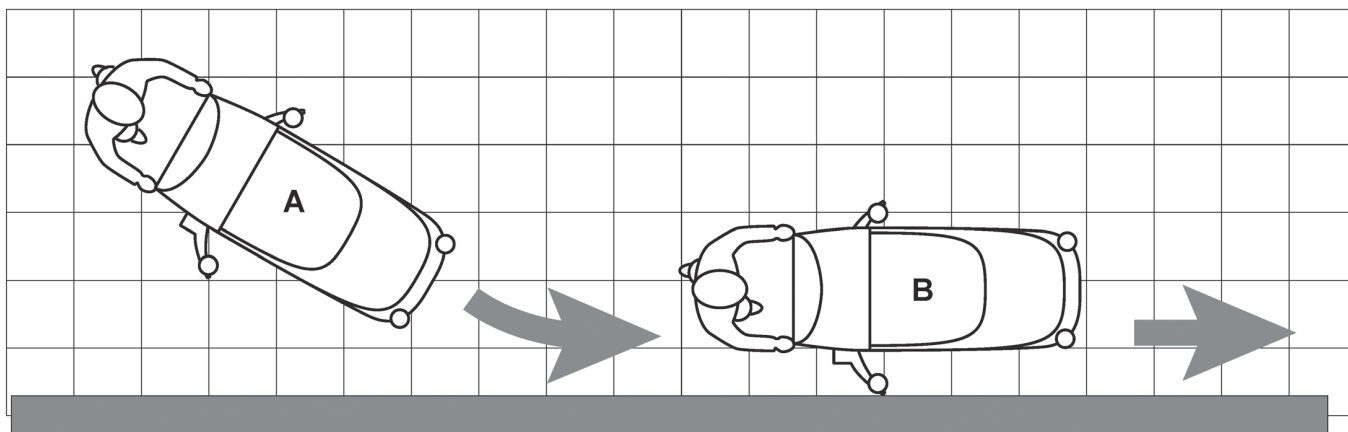
Ne tartsa a gépet ugyanabban a helyzetben, miközben a tárcsatartó / körkefe forog, mert kart okozhat a padlóban.

- A tisztítószer adagoló gomb (8) forgatásával állítsa be az oldat mennyiségét. Fordítsa jobbra több, balra a kevesebb folyadékért.



### MEGJEGYZÉS

A Viper azt tanácsolja, hogy a falak széleinél a padló megfelelő súrolásáért/szárításáért menjen közel a falhoz a gép jobb oldalával – ahogyan a kép is mutatja.

**VIGYÁZAT!**

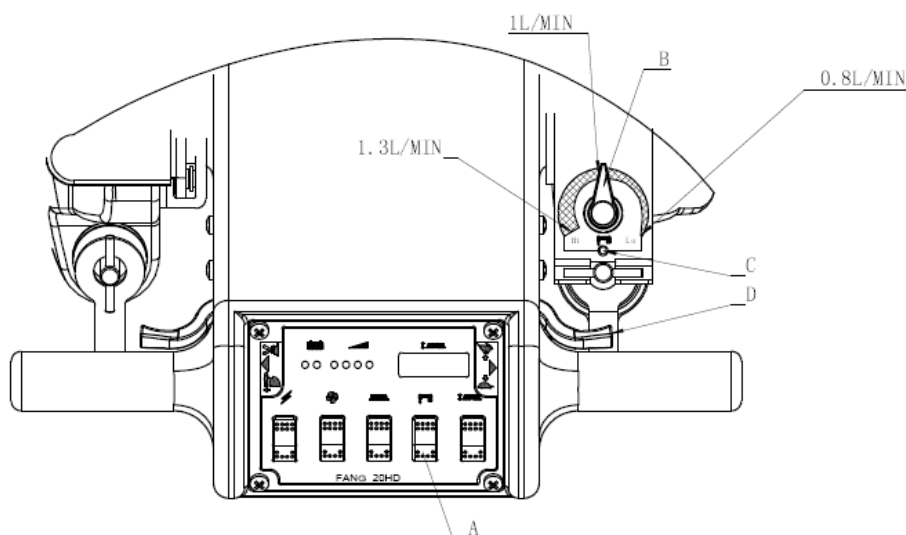
Kapcsolja ki a körkefét/tárcsát, amikor megáll egy helyen, főleg amikor az extra teljesítmény funkció be van kapcsolva, hogy elkerülje a padlófelszínre károsodást.

**A TISZTÍTÓSZER ADAGOLÓ BEÁLLÍTÁSA**

- Fordítsa a tisztítószer kapcsolóját (A) „ON/BE” helyzetbe.
- Állítsa be a tisztítószer mennyiségét a vezérlőgomb (B) elforgatásával, fordítsa balra (az óramutató járásával ellentétes irányba) több, vagy forgassa el jobbra (az óramutató járásával megegyező irányba) kevesebb folyadékért. A pecek (C) a tisztítószer vezérlőgombjának (B) határértéke.

**MEGJEGYZÉS**

Még ha be is kapcsolta a tisztítószer adagoló gombot (A), a folyadék nem fog megindulni, míg a billenőkarok (D) meghúzásra nem kerülnek.

**AZ AKKUMULÁTOR LEMERÜLÉSE MŰKÖDÉS KÖZBEN**

Amíg a zöld figyelmeztető jelzés (3) látszik, az akkumulátor lehetővé teszi a gép normális működését.

Amikor a zöld figyelmeztető jelzés (3) kialszik, és a sárga figyelmeztető jelzés (3) bekapcsol, ajánlatos feltölteni az akkumulátort, mert a még meglévő töltés már csak pár percig fog tartani (az akkumulátor jellemzőitől és a már elvégzett munka intenzitásától függően).

Amikor a piros figyelmeztető jelzés (3) bekapcsol, az akkumulátor lemerül. Néhány másodperc múlva a körkefe/tárcsataró automatikusan kikapcsol, míg a vákuumrendszer és az irányítási rendszer megmarad, hogy a padló szárítását be lehessen fejezni és a gépet el lehessen vinni a kijelölt feltöltő helyre.

**VIGYÁZAT!**

Ne használja a gépet lemerült akkumulátorokkal, hogy ne károsítsa azokat és ne csökkentse élettartamukat.

**A GÉP MŰKÖDTETÉSE KÖZBEN**

- Alkalmanként nézze meg az átlátszó segéd tartály fedelét, hogy működik-e benne a habképzés. Amennyiben túl sok a hab, tegyen habmentesítőt a tartályba.

**FIGYELEM!**

Hab nem érheti a kikapcsoló képernyőt, mert kár keletkezhetne a vákuummotorban. A hab nem fogja aktiválni a gép kikapcsoló eszközét.

- Alkalmanként nézze meg az átlátszó csövet a gép hátoldalán bal oldalon, hogy leellenőrizhesse a gép bal oldalán lévő tisztítóoldat mennyiségét.
- Alkalmanként ellenőrizze az akkumulátor töltöttségi szintmérőjét (3). Amikor a mérő a piros sávban van, töltsse fel az akkumulátorokat.

**FIGYELEM!**

Amikor az akkumulátormérő a pirosban van, ne folytassa tovább a munkát a géppel. Károsodhat az akkumulátor.

- Amennyiben a gumitörlő csíkokat hagy a padlón, emelje fel a padlóról a törlőt és egy nedves ronggyal törölje le a lapátokat.

**FIGYELEM!**

Ne használja az ujját a lapátokról való lerakódások letörlésére vagy eltávolítására, mert sérülést okozhat.

- Amikor a tisztítószer kifogy a tartályból, fordítsa el a kefe, a tisztítószer kapcsolóját „KI” helyzetbe, és emelje fel a kefe fejét. Tartsa lenn a gumitörlőt és folytassa a szívást, amíg minden piszkos víz el nem távozik. (nézze meg a Tartály leeresztése részt, hogy a két tartályt hogyan kell kiüríteni)

**MEGJEGYZÉS**

A körkefe motorja rövidzárlat elleni védelemmel van ellátva, hogy védve legyen a sérülés ellen. Rövidzárlat esetén nem lehet azonnal visszaállítani. Először is meg kell határozni, hogy mi okozta az árammegszakító leállását, és hagynia kell, hogy a motor visszahűljön, mielőtt visszaállítaná az áramkör megszakítót.

**A TARTÁLY LEERESZTÉSE**

- Kapcsolja ki a gépet.
- A gépet a gumibetétes törlő és körkefe „fel” helyzetbe való állításával szállítsa a tartály(ok) leeresztésére kijelölt helyre.

**A SEGÉD (PISZKOS) TARTÁLY LEERESZTÉSE****MEGJEGYZÉS**

Ahogy a mosási művelet befejeződött, a tartályt ki kell üríteni és meg kell tisztítani.

**FIGYELEM!**

Amennyiben a segéd tartályt nem eresztí le, amikor a tisztítószeres tartályt feltölti, a hab vagy a víz elérheti a kikapcsoló mechanizmust, és károsíthatja a vákuummotort.


- Vegye ki a leeresztő tömlőt a tartályból, helyezze a leeresztő tömlőt a padlóösszefolyó fölé. Csavarja le a leeresztő tömlő dugóját a leeresztési folyamat elkezdéséhez. A segéd tartály teljes kiürítéséhez nyissa ki a tartályt és állítsa a támasztékra.
- Tisztítsa meg a segéd tartályt minden egyes használat után. Friss vizes tömlőt használjon az öblítéshez. Ügyeljen arra, hogy ne spricceljen vizet a kikapcsoló mechanizmusra.

**MEGJEGYZÉS**

Amikor bizonyos ideig nem fogja használni a gépet, a tiszta segéd tartály fedelét mindig vegye le, így a tartály teljesen megszáradhat és tiszta illatú lesz.


- Szorosan helyezze vissza a leeresztő tömlő csatlakozóját, amint leeresztette a tartályt.


## A TISZTÍTÓSZERES (TISZTA) TARTÁLY LEERESZTÉSE


	<p><b>MEGJEGYZÉS</b> Ahogy a mosási művelet befejeződött, a tisztítószeres tartályt ki kell üríteni és meg kell tisztítani.</p>
---	---


- Húzza meg az átlátszó csövet (s gép bal hátsó részén), hogy el tudja azt távolítani a tömlővégről. Ez lehetővé teszi a folyadéknak, hogy szabadon távozzon a vödörbe vagy a padlóösszefolyóba.
- Minden használat után öblítse ki a tisztítószeres tartályt tiszta vízzel. Ezzel megelőzheti a kémiai lerakódásokat és a tisztítószeres vezetékeltömődését.
- A tisztítószeres tartályban lévő tiszta vízzel kapcsolja be a gépet, kapcsolja a tisztítószer funkciót „ON/BE” helyzetbe, és húzza meg a billenőkart. Ez lehetővé teszi majd a tiszta vízzel való átmosást, és letisztítja a vezetékeket.
- Amikor a tartály átöblítése, átmosása és leeresztése befejeződött, csatlakoztassa a tiszta csövet a tömlővéghöz. Győződjön meg arról, hogy a csövet jól a helyére nyomta

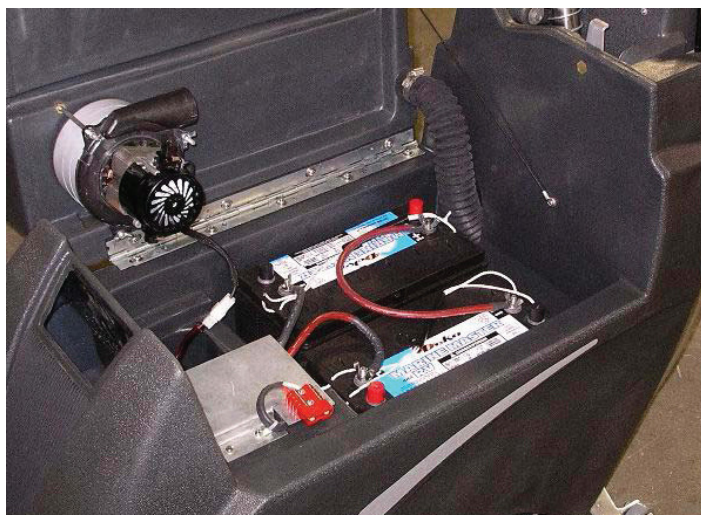
## AKKUMULÁTORTÖLTÉS

	<p><b>MEGJEGYZÉS</b> A legjobb teljesítmény eléréseért mindig tartsa az akkumulátorokat töltés alatt. Ne hagyja őket lemerült állapotban.</p>
---	---

	<p><b>MEGJEGYZÉS</b> Amennyiben a gépnek opcionális beépített akkumulátor töltője van, a gép nem fog működni, ha a töltő nincs a gépen. Amennyiben a töltő nem megfelelően működik, vegye fel a kapcsolatot az illetékes Szervizközponttal..</p>
---	--

	<p><b>VIGYÁZAT!</b> Csak jóváhagyott, a következő specifikációjú töltőket használjon:</p> <ul style="list-style-type: none"> <li>➤ Automatikus kikapcsolású áramkör</li> <li>➤ Mély ciklus töltés</li> <li>➤ 10-20 Amperes kimeneti áram</li> <li>➤ 24 Voltos kimeneti feszültség</li> </ul>
--	--

	<p><b>VIGYÁZAT!</b> Az akkumulátorok veszélyesek! Hidrogéngázt bocsátanak ki, robbanás- vagy tűzveszélyesek. Mindig tartsa őket távol szikrától és tűztől. Miközben tölti az akkumulátorokat, győződjön meg arról, hogy az akkumulátortartó nyitva van.</p>
---	---



- A töltést jól szellőző helyen kell elvégezni.
- Kapcsolja ki a készüléket.
- Nyissa ki a segéd tartályt, tegye be az akkumulátortartót.
- Ellenőrizze a folyadékszintet az összes akkumulátorcellában. Ne töltsön akkumulátorokat, ha a folyadék csak enyhén fedi az akkumulátortálcát. Ne töltsen túl őket. A túltöltés az akkumulátorok túlfolyásához vezethet. Helyezze vissza a töltés előtt a sapkákat.
- Csatlakoztassa a jóváhagyott töltőt a leföldelt konnektorba, mielőtt bedugná a töltőt a gépbe.

- Csatlakoztassa a töltőt az akkumulátortartótól balra elhelyezkedő piros aljzatba.
- Hajtsa fel a segéd tartályt „Állvány” helyzetbe és óvatosan engedje le a segéd tartályt, amíg az állványra nem ér.
- A töltő automatikusan elkezd a töltést, és automatikusan leáll, amint az akkumulátorok teljesen feltöltődtek.
- A töltés befejezésekor húzza ki a konnektorból a töltőt, majd húzza ki a töltőt a gépből.
- Ellenőrizze az akkumulátorok szintjét a töltés befejezését követően. Amennyiben a folyadékszint alacsony, adjon desztillált vizet a folyadékszint megemeléséhez, amíg a csövek aljáig nem ér a folyadék. Helyezze be a sapkákat és törölje meg az akkumulátorokat egy törülközővel.

## KARBANTARTÁS

Kérjük, kövesse a következő karbantartási procedúrákat, hogy a gép még évekig jól működjön.



### VIGYÁZAT!

Mindig győződjön meg arról, hogy a gép kikapcsolt állapotban van és az akkumulátor kábele nincs csatlakoztatva, mielőtt bármiféle karbantartásba vagy javításba kezdene.

## NAPI KARBANTARTÁS

- Távolítsa el a tárcsatartót / keféket és tisztítsa meg őket a jóváhagyott tisztítóval.
- Teljesen engedje le a segéd tartályt és a tisztítószert tartalmazó tartályt, és öblítse ki tiszta vízzel. Vizuálisan győződjön meg arról, hogy a tartály mentes a törmeléktől, és szükség szerint tisztítsa meg.
- Emelje fel a gumitörlő egységet a padlóról és egy nedves ronggyal törölje le. Győződjön meg arról, hogy a törlő felső helyzetben van.
- Távolítsa el a kikapcsoló egységet és öblítse ki tiszta vízzel.
- Tisztítsa meg a gépet jóváhagyott tisztítószerezrel és egy nedves ronggyal. Ne spricceljen vizet a gép külsejére, hogy elkerülje a motor és a vezetékek károsodását.
- Töltse újra az akkumulátorokat.



## HETI KARBANTARTÁS

- Ellenőrizze a folyadékszintet az akkumulátorokban.
- Ellenőrizze az akkumulátorokat, laza vagy korrodált vezetékeket keressen.
- Az akkumulátor tetejét tartsa tisztán a korrózió kivédésére.

## HAVI KARBANTARTÁS

- Ellenőrizze a gép tömítéseit és a laza rögzítő elemeket.
- Kenje be a zsírponthoz és a hajlatokhoz szilikon permittel vagy jóváhagyott zsírral.
- Helyezze a gépet egy padlóösszefolyó felé. Öblítse ki a tisztítórendszert úgy, hogy 10 liter forró vizet és jóváhagyott lúgos tisztítószert önt a tisztítószertartályba, és kapcsolja be a gépet 45 másodpercre (bekapcsolt tisztítószert ellenőrzéssel). Kapcsolja ki a gépet, és hagyja állni egész éjszaka. Majd a következő nap engedje le a megmaradt folyadékot és öblítse ki a tisztítószertartályt tiszta vízzel.

## VÁKUUMRENDSZERŰ SZŪRŐTISZTÍTÓ

- Sík felületű padlón vezesse a gépet.
- Fordítsa az indítókulcsot (32) 2OFF/KI” helyzetbe.
- Nyissa ki a segédváltótartályt.
- Amennyiben szükséges, engedje le a vizet a tartályból, hogy láthatóvá tegye a szűrőt.
- Ellenőrizze, hogy az előszűrő tiszta-e. Amennyiben szükséges, tisztítsa meg vízzel és sűrített levegővel, majd helyezze be.
- Végezze el az 1,2,3 lépést fordított sorrendben.

## TISZTÍTÓSZER/A VÍZSZŪRŐ TISZTÍTÁSA

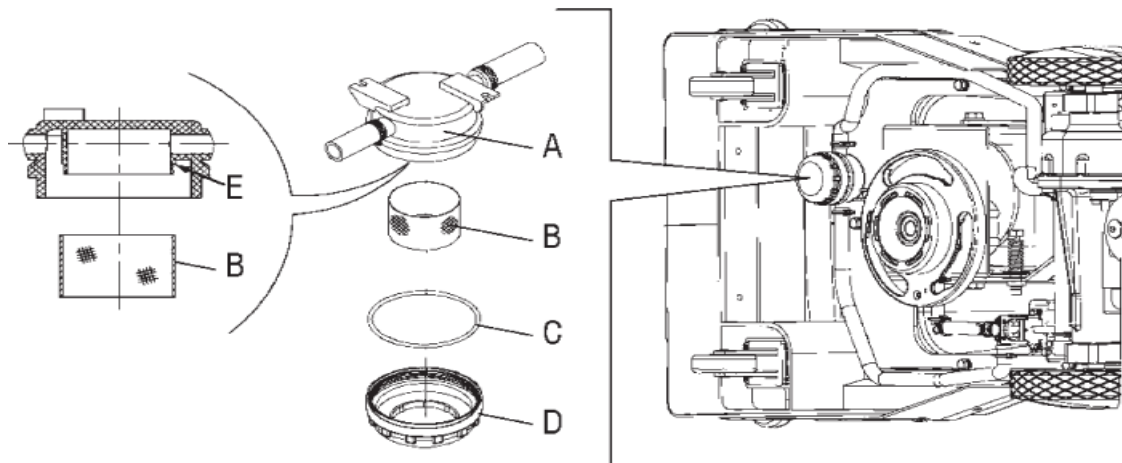


- Sík felületű padlón vezesse a gépet.
- Fordítsa az indítókulcsot (32) „OFF/KI” helyzetbe.
- Távolítsa el az átlátszó fedelet (D) (a vízsűrő a gép alján található), majd távolítsa el a szűrőt (B). Tisztítsa meg és helyezze ezeket a rátétre (A).



## MEGJEGYZÉS

A szűrőt (B) megfelelően kell a rátét (A) burkolatára € helyezni.



## GUMITÖRLŐ LAPÁT ELLENŐRZÉSE ÉS CSERÉJE

- Az előző bekezdésben leírtak szerint tisztítsa meg a gumitörlőt.
- Ellenőrizze, hogy az elülső lapát (D) éle (M) és a hátsó lapát (E) éle azonos szinten van-e a teljes hosszán; ellenkező esetben az alábbi eljárással állítsa be azok magasságát:
  - Kapcsolja ki a tartókat (A), állítsa be a hátsó lapátot (E), majd rögzítse a tartókat.
  - Csavarja ki a kézi kerekeket (G), állítsa be az elülső lapátot (D), majd húzza be a kézi kerekeket.
- Ellenőrizze, hogy az elülső lapát (D) és a hátsó lapát (E) nem sérült-e, nincs-e rajtuk vágás vagy szakadás; szükség esetén az alábbiak szerint cserélje ki.

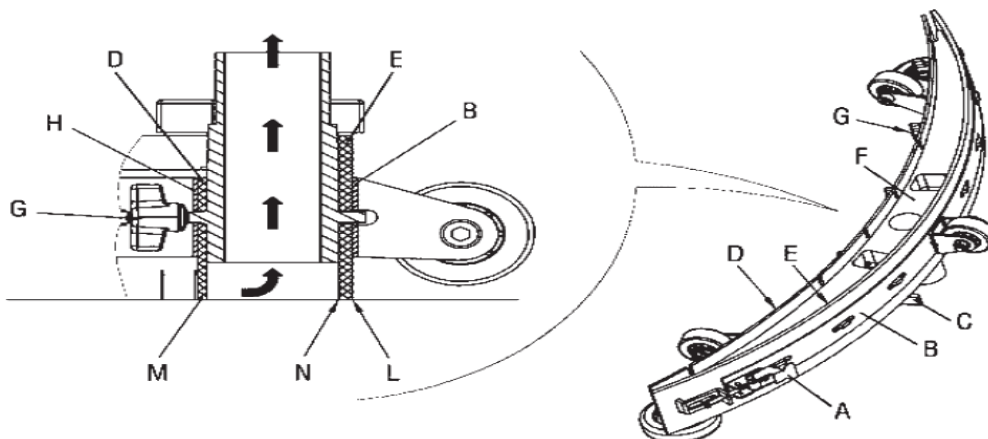
Ellenőrizze, hogy a hátsó lapát első sarka (N) nem elhasznált-e; ellenkező esetben fordítsa meg a lapátot, hogy kicserélhesse az elhasznált sarkot egy újra.

Ha a többi sarok is elhasznált, cserélje ki a lapátot az alábbi eljárás szerint:

- Kapcsolja ki a tartókat (A) és távolítsa el a tartószíjat (B), majd cserélje ki/fordítsa meg a hátsó lapátot (E). Helyezze fel a lapátot az eltávolítás irányának sorrendjét követve visszafelé.
- Csavarozza ki a kézi kerekeket (G) és távolítsa el a tartószíjat (H), majd cserélje ki az elülső lapátot (D). Helyezze fel a lapátot az eltávolítás irányának sorrendjét követve visszafelé.

A lapát cseréjét (vagy megfordítását) követően állítsa be a magasságot az előző lépésben leírtak szerint.

- Csatlakoztassa a vákuum tömlőt (33) a gumitörlőhöz.
- Helyezze fel a gumitörlőt (13) és csavarozza le a kézi kerekeket (34).



## KÖRKEFE/TÁRCSA TISZTÍTÁSA



**VIGYÁZAT!**

Sérülésveszély.

A körkefe/tárcsa tisztításakor javasoljuk a védőkesztyű használatát, mivel az éles törmelékek sérülést okozhatnak.


- A Használat fejezetben leírtak szerint távolítsa el a körkefét/tárcsát.
- Tisztítsa meg a körkefét/tárcsát vízzel és tisztítószerezrel.
- Ellenőrizze, hogy a körkefe/tárcsa nincs-e elhasználva vagy megsérülve; ha igen, cserélje ki.

**HIBAELHÁRÍTÁS**

PROBLÉMA	OK	MEGOLDÁS
Nincs tápellátás	Rossz akkumulátor	Cserélje ki az akkumulátorokat
	Az akkumulátort fel kell tölteni	Töltse fel az akkumulátorokat (lásd: Akkumulátor töltése)
	Laza akkumulátorkábel	Erősen dugja be a laza kábel(ek)e)t
	Az akkumulátorok nincsenek jól behelyezve	Kövesse az akkumulátor-behelyezési utasításokat
A körkefe motorja nem működik	Rossz körkefe kapcsoló	Vegye fel a kapcsolatot a Viper forgalmazójával
	A körkefe megszakítója bekapcsol	Ellenőrizze, nincs-e elakadva a körkefe motor és állítsa vissza a megszakítót
	Az egyenirányító kiégett	Vegye fel a kapcsolatot a Viper forgalmazójával
	Rossz huzalozás	Vegye fel a kapcsolatot a Viper forgalmazójával
	Rossz körkefe motor	Vegye fel a kapcsolatot a Viper forgalmazójával
	A karbonkefék elhasználódtak	Vegye fel a kapcsolatot a Viper forgalmazójával
	Rossz szolenoid	Vegye fel a kapcsolatot a Viper forgalmazójával
A vákuummotor nem működik	Rossz vákuumkapcsoló	Vegye fel a kapcsolatot a Viper forgalmazójával
	Rossz huzalozás	Vegye fel a kapcsolatot a Viper forgalmazójával
	Rossz körkefe motor	Vegye fel a kapcsolatot a Viper forgalmazójával
	A karbonkefék elhasználódtak	Vegye fel a kapcsolatot a Viper forgalmazójával
Rövid működési idő	Az akkumulátort fel kell tölteni	Töltse fel az akkumulátorokat (lásd: Akkumulátor töltése)
	Szükség van az akkumulátorok karbantartására	Lásd: Akkumulátor karbantartás ebben a kézikönyvben
	Rossz akkumulátorcella	Cserélje ki az akkumulátorokat
	Rossz töltő	Cserélje ki a töltőt
Gyenge vagy nincs oldatfolyás	Rossz oldatkapcsoló	Vegye fel a kapcsolatot a Viper forgalmazójával
	Eldugult oldat szolenoid	Vegye fel a kapcsolatot a Viper forgalmazójával
	Eldugult oldatszűrő	Távolítsa el és tisztítsa meg a szűrőt
	Akadály az oldatcsőben	Távolítsa el az oldatcsövet és tisztítsa meg
	Az oldatfolyás beállító gomb beállítása szükséges	Az oldatbeállító gomb elfordításával jobbra növelje a folyás erősségét. Ugyanezt csökkentse balra történő elfordítással.
Gyenge vízfelvétel	Eldugult gumitörlő	Tisztítsa le a szennyeződést a gumitörlőről nedves törlővel
	Elhasznált gumitörlő lapát	Helyezzen be új gumitörlő lapátokat
	A gumitörlő nincs helyesen beszerelve	Bizonyosodjon meg arról, hogy a gumitörlő egység biztonságosan be van helyezve a készülékbe és nem laza.

PROBLÉMA	OK	MEGOLDÁS
	A vákuumtömlők lyukasak vagy lazák	Ellenőrizze a tömlők csatlakoztatását. Sérülés esetén cserélje ki a tömlőt.
	Lehet, hogy a vákuum tömlő el van dugulva	Ellenőrizze, nem szennyezett-e a tömlő és tisztítsa ki.
	A lefolyódugó laza	Szorítsa a helyére a lefolyódugót.
	Az akkumulátorokat fel kell tölteni	Töltse fel az akkumulátorokat (lásd: Akkumulátor töltése)
	A vákuum motor laza	Húzza be a vákuum motor csavarokat. Ne szorítsa túl, a berendezés megsérülhet.
	A segéd tartály laza	Ellenőrizze, hogy a segéd tartály fedele a helyén van-e.
	A segéd tartály bemeneti nyílása el van dugulva	Engedje le a segéd tartályt és a döntő tartályt az oldalán. Ellenőrizze, hogy a bemenő nyílás nem szennyezett-e, tisztítsa meg.
	A segéd tartály megtelt	Engedje le a segéd tartályt.
	A kikapcsoló el van dugulva	Távolítsa el a kikapcsolót a segéd tartályból é távolítsa el a szennyezést.

## TÁROLÁS

	<p><b>VIGYÁZAT!</b> Amennyiben a gépet olyan területen tárolja, ahol fagy, győződjön meg arról, hogy mindkét tartály és a tisztítószer-vezeték is üres és száraz!</p>
---	---

- A készüléket száraz helyen, fagytól védve tárolja.
- A gép tárolási hőmérsékletének 0°C és +40°C között kell lennie.
- Mindig zárt helyiségben tárolja a gépet.
- Mindig vegye le a tárcsát / körkefét
- A gépet mindig úgy tárolja, hogy a gumibetétes törlőegység a padlóhoz képest felemelt helyzetben legyen.
- Amennyiben olyan helyen tárolja, ahol a hőmérséklet 0°C alá süllyedhet, győződjön meg arról, hogy a tárolás előtt minden folyadékot leeresztett a gépből. Semmilyen, a fagyás által okozott kár nem fedhető le garanciával.
- Ürítse ki a segéd tartályt, nyissa ki a tetejét, így az „lélegezni” tud a tárolás közben.
- Minden folyadékot engedjen le a tisztítószeres tartályból.

## TISZTÍTÓGÉP ÚJRAHASZNOSÍTÁSA

A régi tisztítógépet azonnal tegye használhatatlanná:

- Vegye ki az akkumulátorokat
- Az elektromos berendezéseket ne dobja ki háztartási hulladékokkal együtt.



A 2002/96/EC Európai Rendelet szerint a régi elektromos és elektronikus berendezéseket, használt elektromos árut elkülönítve kell gyűjteni és környezettudatosan újrahasznosítani. További információkért vegye fel a kapcsolatot a helyi hivatalokkal vagy a legközelebbi forgalmazóval.

## CUPRINS

<b>INTRODUCERE</b> .....	<b>256</b>
SCOPUL ȘI CONȚINUTUL MANUALULUI.....	256
ȚINTA .....	256
CUM SE PĂSTREAZĂ ACEST MANUAL .....	256
DECLARAȚIE DE CONFORMITATE.....	256
DATE DE IDENTIFICARE.....	256
ALTE MANUALE DE REFERINȚĂ.....	256
PIESE DE SCHIMB ȘI ÎNTREȚINERE .....	256
MODIFICĂRI ȘI ÎMBUNĂTĂȚIRI .....	256
SCOP ȘI DOMENIU DE APLICARE.....	256
CONVENȚII.....	257
<b>DESPACHETARE/LIVRARE .....</b>	<b>257</b>
<b>SIGURANȚĂ .....</b>	<b>257</b>
SIMBOLURI UTILIZATE PENTRU A MARCA INSTRUCȚIUNILE.....	257
INSTRUCȚIUNI GENERALE .....	257
<b>DESCRIEREA UTILAJULUI .....</b>	<b>261</b>
STRUCTURA UTILAJULUI .....	261
ACCESORII/OPȚIUNI .....	262
DIAGRAMĂ DE CABLARE (FANG20HD-EU).....	264
<b>FUNCȚIONARE .....</b>	<b>265</b>
ÎNAINTE DE A PORNI UTILAJUL.....	265
ÎN TIMPUL FOLOSIRII UTILAJULUI .....	269
<b>ÎNTREȚINERE .....</b>	<b>271</b>
ÎNTREȚINERE ZILNICĂ.....	271
ÎNTREȚINERE SĂPTĂMÂNALĂ .....	271
ÎNTREȚINERE LUNARĂ .....	271
CURĂȚAREA FILTRULUI MOTORULUI SISTEMULUI DE VACUUM .....	271
CURĂȚAREA FILTRULUI PENTRU SOLUȚIE/APĂ CURATĂ .....	271
VERIFICAREA ȘI ÎNLOCUIREA LAMELOR INSERȚIEI DE CAUCIUC .....	272
CURĂȚAREA PERIEI/GARNITURII.....	273
<b>DEPANARE.....</b>	<b>273</b>
<b>DEPOZITARE.....</b>	<b>274</b>
<b>RECICLAREA DISPOZITIVULUI DE CURĂȚARE .....</b>	<b>274</b>

## INTRODUCERE



### NOTĂ

Cifrele din paranteză se referă la componentele prezentate în capitolul Descrierea Utilajului.

## SCOPUL ȘI CONȚINUTUL MANUALULUI

Scopul acestui Manual este de a furniza operatorului toate informațiile necesare pentru a utiliza manualul în mod corespunzător, sigur și autonom. Conține informații despre datele tehnice, siguranță, funcționare, depozitare, întreținere, piese de schimb și eliminare. Înainte de a realiza orice operațiune pe utilaj, operatorii și tehnicienii calificați trebuie să citească cu atenție acest manual. Contactați Viper pentru mai multe informații și în cazul în care aveți întrebări cu privire la interpretarea instrucțiunilor.

## ȚINTA

Acest manual este destinat operatorilor și tehnicienilor calificați pentru realizarea întreținerii utilajului.

Operatorii nu trebuie să realizeze procedurile rezervate pentru tehnicienii calificați. Viper nu va fi responsabil pentru daunele provenite din nerespectarea acestei reguli.

## CUM SE PĂSTREAZĂ ACEST MANUAL

Manualul de Utilizare trebuie să fie păstrat în apropierea utilajului, într-o carcasă corespunzătoare, departe de lichide și alte substanțe care îl pot deteriora.

## DECLARAȚIE DE CONFORMITATE

Declarația de conformitate, furnizată cu utilajul, certifică faptul că utilajul este în conformitate cu legile în vigoare.



### NOTĂ

Împreună cu documentația utilajului se asigură două copii ale declarației de conformitate originale.

Declarația CE este imprimată în Ghidul de Pornire Rapidă.

## DATE DE IDENTIFICARE

Modelul și numărul de serie al utilajului sunt marcate pe plăcuță.

Aceste informații sunt de ajutor la comandarea pieselor de schimb. Folosiți tabelul următor pentru a nota datele de identificare ale utilajului.

Model UTILAJ.....

Număr de serie UTILAJ .....

## ALTE MANUALE DE REFERINȚĂ

- Manual de Service (poate fi consultat în Centrele de Service Viper)
- Lista pieselor de schimb (consultați [www.vipercleaning.eu](http://www.vipercleaning.eu))

## PIESE DE SCHIMB ȘI ÎNTREȚINERE

Toate procedurile de funcționare, întreținere și reparații necesare trebuie să fie realizate de personal calificat sau de Centrele de Service Viper. Trebuie să se folosească numai piese de schimb și accesorii originale. Contactați Viper pentru service sau pentru a comanda piese de schimb și accesorii, specificând modelul și numărul de serie al utilajului.

## MODIFICĂRI ȘI ÎMBUNĂTĂȚIRI

Viper își îmbunătățește în permanență produsele și își rezervă dreptul de a realiza modificări și îmbunătățiri la discreția sa fără a fi obligat să implementeze aceste beneficii utilajelor deja vândute.

Orice modificare și/sau adăugare de accesorii trebuie să fie aprobată și realizată de către Viper.

## SCOP ȘI DOMENIU DE APLICARE

Toate utilajele automate de curățare sunt destinate curățării cu apă a pardoselilor rezistente impermeabile din interiorul clădirilor. Utilajele automate de curățare nu pot fi folosite pentru curățarea mochetelor și carpetelor.

Acest dispozitiv este potrivit pentru utilizarea comercială, de exemplu în hoteluri, școli, spitale, fabrici, magazine, birouri și în afacerile de închiriere.

Orice altă utilizare este considerată ca fiind necorespunzătoare. Producătorul nu acceptă nicio răspundere pentru daunele rezultate dintr-o astfel de utilizare. Riscul unei astfel de utilizări este suportat numai de către utilizator.

Utilizarea corespunzătoare include funcționarea, service-ul și reparațiile corespunzătoare conform specificațiilor producătorului.

Modificările realizate la utilajele automate de către utilizatori anulează răspunderea producătorului pentru orice daune rezultate.

Pardoselile trebuie să fie verificate în ceea ce privește conformitatea cu metoda de curățare, înainte de a folosi utilajul!

Aveți grijă la presiunea suprafeței în cazul pardoselilor cu puncte elastice, de exemplu în sălile de sport!

Producătorul nu acceptă nicio răspundere pentru daunele suferite de utilaj și pardoseala ce urmează a fi curățată, cauzate de folosirea perilor și agenților de curățare necorespunzători.

## CONVENȚII

Înainte, înapoi, în față, în spate, stânga sau dreapta se referă la poziția operatorului, adică la poziția de lucru.

## DESPACHETARE/LIVRARE

Pentru a despacheta utilajului urmați cu atenție instrucțiunile de pe ambalaj.

La livrarea utilajului, verificați dacă ambalajul sau utilajul au fost avariate în timpul transportului. În cazul avariilor vizibile, păstrați pachetul și cereți curierului care l-a livrat să îl verifice. Contactați imediat curierul pentru a depune o plângere.

Verificați conținutul pachetului pentru a vă asigura că sunt incluse următoarele articole:





- Utilaj
- Ansamblul inserției de cauciuc
- Angrenajul cu perii (și angrenajul cu garnitură)

## SIGURANȚĂ

Următoarele simboluri indică posibilele situații periculoase. Citiți cu atenție aceste informații de fiecare dată și luați precauțiile necesare pentru a proteja oamenii și proprietățile.

Cooperarea operatorului este esențială pentru a preveni răniile. Nici un program de prevenire a accidentelor nu este eficient fără cooperarea totală a persoanei responsabile de funcționarea utilajului. Majoritatea accidentelor care pot avea loc într-o fabrică, în timpul lucrului sau mișcării, sunt cauzate de nerespectarea celor mai simple reguli de prudență. Un operator atent și prudent este cea mai bună garanție împotriva accidentelor și este esențial pentru finalizarea cu succes a oricărui program de prevenire.

## SIMBOLURI UTILIZATE PENTRU A MARCA INSTRUCȚIUNILE

	<p><b>PERICOL!</b> Pericol care duce la răni grave sau permanente, sau chiar moarte.</p>
	<p><b>AVERTISMENT!</b> Pericol care poate duce la răni grave sau chiar moarte.</p>
	<p><b>ATENȚIE!</b> Pericol care poate duce la răni ușoare sau daune.</p>
	<p><b>NOTĂ</b> Indică o remarcă legată de funcțiile importante sau utile.</p>

## INSTRUCȚIUNI GENERALE

Mai jos sunt prezentate avertizările și precauțiile specifice pentru informarea asupra potențialelor daune asupra oamenilor și utilajului.

Dispozitivul trebuie

- Să fi folosit numai de către persoane care au fost pregătite asupra utilizării corecte și a punerii în funcțiune explicite cu sarcina de a-l folosi
- Să fie utilizat numai sub supraveghere
- Să nu fie folosit de către copii

Spațiul de lucru este în spatele dispozitivului de curățare.

Nu folosiți tehnici de lucru nesigure.

Ghidați dispozitivul de curățare cu ambele mâini pe mâner.

Când dispozitivul de curățare este staționat, opriți imediat unitatea cu perii pentru a preveni avarierea pardoselii.

Opriti dispozitivul și deconectați priza bateriei în următoarele cazuri:

- Înainte de curățare și reparație
- Înainte de înlocuirea componentelor
- Înainte de schimbarea dispozitivului

Folosirea dispozitivului de curățare se supune reglementărilor naționale curente. În afară de instrucțiunile de funcționare și reglementările obligatorii de prevenire a accidentelor valide în țara de utilizare, respectați reglementările de lucru corespunzătoare și în siguranță.

## TRANSPORT

La transportarea dispozitivului de curățare cu ajutorul lifturilor

- respectați reglementările de siguranță curente, în special cu privire la capacitatea de transport.

## FUNCȚIONARE

Pentru a preveni folosirea neautorizată a dispozitivului, sursa de alimentare trebuie să fie oprită sau blocată, de exemplu, prin înlăturarea cheii de pe comutatorul de alimentare.

Luați toate măsurile necesare pentru a preveni prinderea părului, bijuteriilor și hainelor largi în părțile mobile.

Înainte de a folosi utilajul închideți toate ușile și/sau capacele.

Temperatura de funcționare a utilajului trebuie să fie între 0°C și +40°C.

Umiditatea trebuie să fie între 30% și 95%.

Nu folosiți utilajul ca mijloc de transport.

În caz de incendiu folosiți un extingtor cu pudră și nu cu apă.

Nu modificați protecțiile utilajului și respectați instrucțiunile normale de întreținere în mod conștiincios.

Nu permiteți ca obiectele să intre în orificii. Nu folosiți utilajul dacă orificiile sunt blocate. Curățați în permanență orificiile de praf, păr sau orice alte materiale străine care ar putea reduce curentul de aer.

Nu înlăturați sau modificați plăcile fixate pe utilaj.

Dacă utilajul este folosit conform instrucțiunilor, vibrațiile nu sunt periculoase. Nivelul de vibrații al utilajului este mai mic de 2.5 m/s<sup>2</sup> (98/37/EEC-EN 1033/1995).

Gradele de vibrații suportate la nivelul brațului/mâinii sunt mult sub 2.5 m/s<sup>2</sup> (măsurat conform ISO 5349), care este limita pentru o perioadă continuă de lucru de 8 ore.

Utilajul nu trebuie să fie folosit pe drumuri sau străzi publice.

Utilajele Viper pot fi folosite în combinație cu detergenții standard care nu pot afecta materialele utilajelor Viper (nu se folosesc solvenți sau alte materiale lichide agresive). Viper nu va plăti nicio plângere cu privire la folosirea detergenților agresivi în utilajele Viper. Dacă aveți nevoie de un detergent special pentru curățare, contactați furnizorul dvs. Viper.

Aveți grijă la transportarea utilajului la temperaturi sub punctul de îngheț. Apa din rezervor sau furtunuri poate îngheța și afecta grav utilajul.

## ÎNTREȚINERE



Pentru a asigura funcționarea corespunzătoare și sigură a utilajului, întreținerea programată, prezentată în capitolul relevant din acest manual, trebuie să fie realizată de către personalul autorizat sau de către Centrul de Service Viper.

Înainte de a realiza orice procedură de întreținere/reparație citiți cu atenție toate instrucțiunile.

Nu lucrați sub utilajul ridicat fără a-l sprijini cu cadrele de siguranță.

Nu spălați utilajul cu jet de apă direct sau sub presiune sau cu substanțe corozive.

## GARANȚIE


În ceea ce privește garanția, se aplică condițiile noastre comerciale generale.


Modificările neautorizate ale utilajului, folosirea periiilor și detergenților necorespunzători pe lângă folosirea dispozitivului în alte scopuri decât cel pentru care este destinat, eliberează producătorul de orice răspundere pentru daunele rezultate.

## TESTE ȘI APROBĂRI


Testele electrice trebuie să fie realizate în conformitate cu prevederile reglementărilor de siguranță (BGV A3) și cu DIN VDE 0701 Partea 1 și Partea 3. În conformitate cu DIN VDE 0702, aceste teste trebuie să fie realizate la intervale regulate de timp și după reparații sau modificări.

## COMPONENTE ELECTRICE

	<p><b>PERICOL</b> Baterii. Risc de explozie.</p> <ul style="list-style-type: none"> <li>➤ Încărcarea bateriilor produce gaz de hidrogen cu grad ridicat de explozie. Păstrați ansamblul rezervorului deschis în timpul încărcării bateriei și realizați această procedură în zone bine ventilate și departe de foc.</li> <li>➤ Pentru a reduce riscul de incendiu, șoc electric sau răni nu lăsați utilajul nesupravegheat atunci când este conectat la priză. Înainte de a realiza orice procedură de întreținere, deconectați cablul încărcătorului pentru baterie de la alimentarea cu electricitate.</li> <li>➤ Nu fumați în timp ce încărcați bateriile.</li> <li>➤ Folosirea pieselor de schimb, accesoriilor, bateriilor și încărcătoarelor care nu sunt originale poate afecta siguranța dispozitivului. Folosiți numai piese de schimb și accesorii de la Viper și folosiți baterii și încărcătoare recomandate de VIPER. Când folosiți baterii și încărcătoare necertificate și nerecomandate, VIPER nu va acoperi costurile pentru daunele (garanția) cauzate.</li> </ul>
---	--

	<p><b>ATENȚIE</b> Încărcător pentru baterie. Șoc electric din cauza conductorului de conectare la priză sau cablului încărcătorului care sunt defecte. Atingerea unui conductor de conectare la priză sau a cablului încărcătorului care sunt defecte poate duce la răni grave sau fatale.</p> <ul style="list-style-type: none"> <li>➤ Păstrați bateriile departe de scânteii, flăcări sau materiale incandescente. În timpul funcționării normale sunt eliberate gaze explozive.</li> <li>➤ Înainte de a folosi încărcătorul pentru baterie asigurați-vă că valorile de frecvență și tensiune indicate pe plăcuța cu numărul de serie al utilajului se potrivesc cu tensiunea prizei de alimentare.</li> <li>➤ Nu avariați conductorul prizei (de ex. trecând peste el, trăgând de el sau strivindu-l).</li> <li>➤ Verificați cu regularitate cablul de alimentare pentru a vedea dacă este avariat sau prezintă semne de uzură.</li> <li>➤ Înlocuiți conductoarele de conectare la priză defecte cu ajutorul reprezentatului de service Viper sau a unui electrician calificat înainte de a folosi din nou dispozitivul.</li> <li>➤ Nu trageți sau transportați utilajul cu ajutorul cablului încărcătorului pentru baterie și nu folosiți niciodată cablul încărcătorului pentru baterie ca și mâner. Nu închideți ușile peste cablul încărcătorului pentru baterie și nu trageți cablul încărcătorului pentru baterie pe lângă margini ascuțite sau colțuri.</li> <li>➤ Țineți cablul încărcătorului pentru baterie la distanță de suprafețele fierbinți.</li> <li>➤ Nu încărcați bateriile în cazul în care cablul încărcătorului pentru baterie sau priza sunt avariate. Dacă utilajul nu funcționează corespunzător, a fost avariat, a fost lăsat afară sau scăpat în apă, returnați-l Centrului de Service.</li> </ul>
---	---

## SCĂRI ȘI PANTE

	<p><b>ATENȚIE</b> Risc de răsturnare sau alunecare pe scări sau pante. La curățarea scărilor și pantelor există un risc de rănire a persoanelor sau de avariere a proprietăților.</p> <ul style="list-style-type: none"> <li>➤ Nu curățați treptele.</li> </ul>
---	---

- Folosiți dispozitivul numai pe suprafețele nivelate cu o pantă maximă de 2%.

## PARDOSELI



### ATENȚIE

Avarierea pardoselilor sensibile.

Pardoselile sensibile pot fi avariate prin curățare.

- Înainte de a folosi dispozitivul de curățare verificați dacă pardoseala este potrivită pentru această tehnică de curățare.
- Aveți grijă la compresia zonală a suprafețelor cu puncte elastice, de ex. în sălile de sport.
- Folosiți numai agenți de curățare aprobați de Viper.

## MATERIALE PERICULOASE PENTRU SĂNĂTATE



### AVERTIZARE

Materiale periculoase pentru sănătate în pardoseli.

Pardoselile pot conține materiale care sunt periculoase pentru sănătate, care se pot dizolva în timpul curățării.

- Nu curățați pardoselile din care praful sau lichidele periculoase se pot dizolva.

## RISC DE EXPLOZIE



### AVERTIZARE

Materiale inflamabile și explozive.

Risc de explozie în atmosferele explozive sau zonele în care sunt depozitate materiale inflamabile sau explozive.

- Nu folosiți utilajul în apropierea pudrelor, lichidelor sau vaporilor periculoși, inflamabili și/sau explozivi

## PIESE DE SCHIMB ȘI ACCESORII



### ATENȚIE

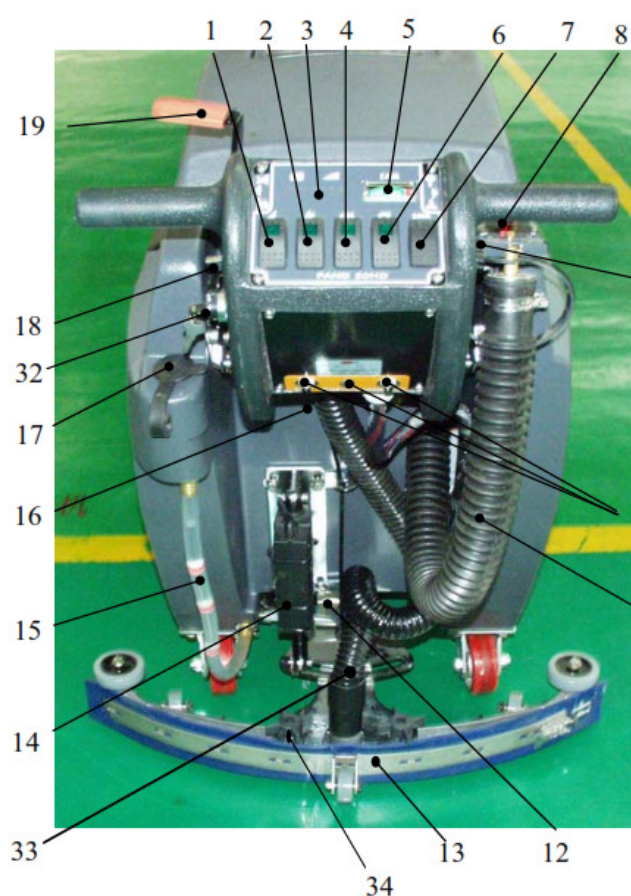
Componente care nu sunt originale și detergenți necorespunzători.

Folosirea pieselor de schimb care nu sunt originale și a detergenților necorespunzători poate afecta siguranța dispozitivului și poate duce la avarii.

- Folosiți numai piese de schimb și accesorii Viper.
- Folosiți numai accesorii și detergenții furnizați cu dispozitivul sau cele specificate în instrucțiunile de funcționare.

## DESCRIEREA UTILAJULUI

## STRUCTURA UTILAJULUI



1. Comutator de alimentare PORNIT/OPRIT
2. Comutator vacuum PORNIT/OPRIT
3. Contor nivel baterie
4. Comutator perie PORNIT/OPRIT
5. Contor presiune perie
6. Comutator soluție PORNIT/OPRIT
7. Comutator presiune perie SUS/JOS
8. Buton de control soluție
9. Buton de control viteză
10. Disjunctoare
11. Furtun de drenare rezervor de recuperare
12. Piuliță și tijă de reglare a inserției de cauciuc
13. Ansamblu inserție de cauciuc
14. Dispozitiv de acționare capăt spălare
15. Tub de verificare a nivelului rezervorului de soluție

16. Mânere de reglare consolă
17. Orificiu posterior de umplere cu soluție
18. Comutator de inversare
19. Mâner de ridicare inserție de cauciuc
20. Carcasă de control
21. Dispozitive de pornire a funcționării
22. Rezervor de soluție
23. Dispozitiv de pulverizare posterior
24. Roți de transport
25. Căpăt de spălare
26. Manta capăt de spălare
27. Dispozitiv de blocare carcasă manta
28. Role de protecție
29. Orificiu frontal de umplere cu soluție
30. Rezervor de recuperare
31. Capac rezervor de recuperare
32. Comutator cu cheie
33. Furtun vacuum inserție de cauciuc
34. Roată de montare inserție de cauciuc

Roată de montare inserție de cauciuc

**ACCESORII/OPTIUNI**

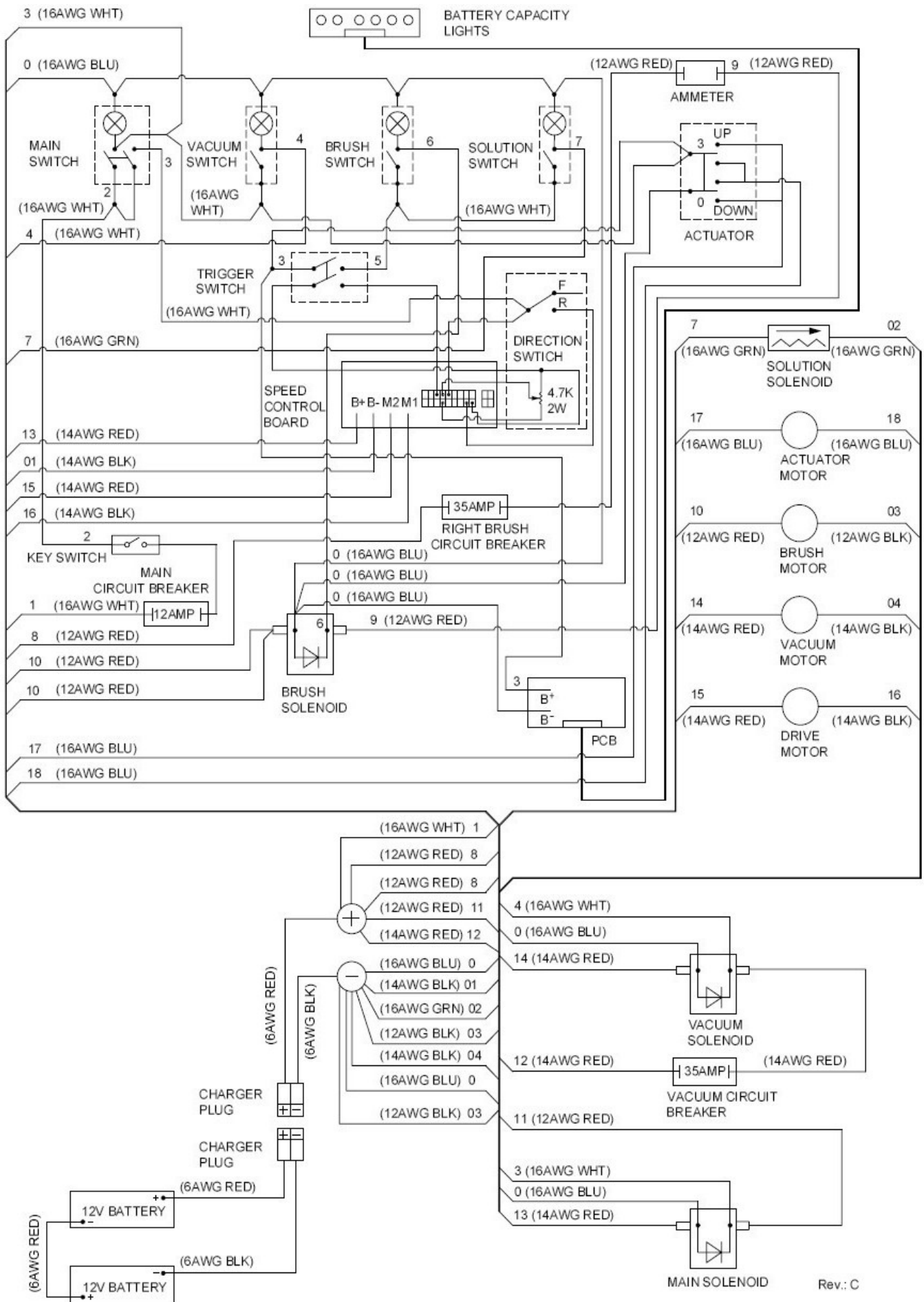
Pe lângă componentele standard, utilajul poate fi echipat cu următoarele accesorii/opțiuni, conform utilizării specifice a utilajului:

- Perie
- Angrenaj garnitură

Pentru mai multe informații cu privire la accesoriile opționale contactați un comerciant autorizat.

**DATE TEHNICE**

Model		FANG 20HD-EU (1 perie/suport garnitură, cu sistem de angrenare)
Înălțime utilaj	mm	990
Capacitate rezervor soluție/apă curată	l	61
Capacitate rezervor de apă de recuperare	l	61
Diametru roată frontală	mm	76
Diametru roată posterioară	mm	200
Putere motor sistem vacuum	W	400
Putere motor sistem de angrenare	W	250
Viteză de angrenare (variabilă)	km/h	0 – 4.5
Pantă maximă admisă	%	2
Nivelul presiunii de zgomot la stația de lucru	dB(A)	69
Baterii standard	Ah @ 20 h	2 x 12V/215AmP.hR
Capacitate circuit sistem vacuum	mm H <sub>2</sub> O	1.397
Lățime de curățare	mm	510
Lățime inserție de cauciuc	mm	750
Lungime maximă utilaj	mm	1.350
Lățime utilaj fără inserție de cauciuc	mm	560
Diametru perie	mm	510
Greutate fără baterii și cu rezervoarele goale	kg	107
Greutate maximă cu baterii și rezervoarele pline	kg	181
Putere motor perie	W	560
Viteză perie	rpm	200
Presiune perie/suport garnitură	kg	UP TO91





## DIAGRAMĂ DE CABLARE (FANG20HD-EU)

### DIAGRAMĂ DE CABLARE (FANG20HD-EU)

Coduri culori

BLK	Negru
BLU	Albastru
GRU	Verde
RED	Roșu
WHT	Alb

1	BATTERY CAPACITY LIGHTS	LUMINI CAPACITATE BATERIE
2	MAIN SWITCH	COMUTATOR PRINCIPAL
3	VACUUM SWITCH	COMUTATOR VACUUM
4	BRUSH SWITCH	COMUTATOR PERIE
5	SOLUTION SWITCH	COMUTATOR PERIE
6	AMMETER	AMPERMETRU
7	ACTUATOR	DISPOZITIV DE ACȚIONARE
8	TRIGGER SWITCH	COMUTATOR DE ACȚIONARE
9	SPEED CONTROL BOARD	PANOU DE CONTROL VITEZĂ
10	DIRECTION SWITCH	COMUTATOR DE DIRECȚIE
11	RIGHT BRUSH CIRCUIT BREAKER	DISJUNCTOR PERIE DIN PARTEA DREAPTĂ
12	KEY SWITCH	COMUTATOR CU CHEIE
13	MAIN CIRCUIT BREAKER	DISJUNCTOR PRINCIPAL
14	BRUSH SOLENOID	SOLENOID PERIE
15	PCB	PCB
16	SOLUTION SOLENOID	SOLENOID SOLUȚIE
17	ACTUATOR MOTOR	MOTOR DISPOZITIV DE ACȚIONARE
18	BRUSH MOTOR	MOTOR PERIE
19	VACUUM MOTOR	MOTOR VACUUM
20	DIRVE MOTOR	MOTOR ANGRENAJ
21	VACUUM SOLENOID	SOLENOID VACUUM
22	VACUUM CIRCUIT BREAKER	DISJUNCTOR VACUUM
23	MAIN SOLENOID	SOLENOID PRINCIPAL
24	CHARGER PLUG	PRIZĂ ÎNCĂRCĂTOR
25	BATTERY	BATERIE



## FUNCȚIONARE

### ÎNAINTE DE A PORNI UTILAJUL



#### AVERTIZARE!

În anumite puncte ale utilajului există plăcuțe adezive care indică:  
PERICOL  
AVERTIZARE  
ATENȚIE  
CONSULTARE

În timp ce citește acest Manual, operatorul trebuie să fie atent la simbolurile prezentate pe plăcuțe. Nu acoperiți aceste plăcuțe și înlocuiți-le imediat dacă sunt avariate.

### INSTALAREA BATERIEI

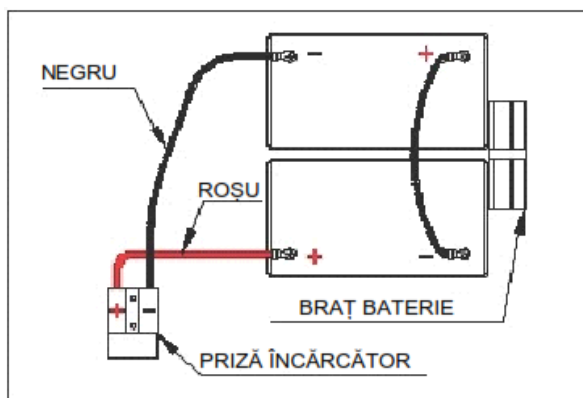


#### AVERTIZARE!

Componentele electrice ale utilajului pot fi avariate grav dacă bateriile sunt instalate sau conectate incorect. Bateriile trebuie să fie instalate numai de către personal calificat.

- Setati panoul electronic de funcții și încărcătorul pentru baterii (opțional) conform tipului de baterii folosite (LICHID sau GEL).
- Verificați dacă bateriile sunt avariate înainte de instalare.
- Deconectați conectorul bateriei și priza încărcătorului pentru baterie.
- Manipulați cu grijă bateriile.
- Instalați capacele de protecție ale siguranțelor bateriei furnizate cu utilajul.

Utilajul necesită două baterii 12 V, conectate conform diagramei de mai jos:



Utilajul nu are baterii din fabrică, dar clienții pot achiziționa baterii (LICHID sau GEL).

- Cumpărați bateriile corespunzătoare (consultați paragraful Date Tehnice).
  - Pentru alegerea și instalarea bateriei consultați comercianții calificați de baterii.
  - Setati utilajul și încărcătorul pentru baterie conform tipului de baterii instalate (LICHID sau GEL), după cum se prezintă în următorul paragraf.
- a) Când bateriile (LICHID sau GEL) sunt deja instalate și gata de utilizare
- Verificați dacă bateriile sunt conectate la utilaj cu priza încărcătorului.
  - Introduceți cheia de pornire (32) și așezați-o în poziția „pornit”.
- Dacă de aprinde lumina de avertizare verde (3), bateriile sunt gata pentru utilizare.  
Dacă se aprinde lumina galbenă sau roșie (3), bateriile trebuie să fie schimbate (consultați capitolul Întreținere).
- b) Când bateriile (LICHID) sunt instalate pe utilaj, dar fără electrolit
- Deschideți capacul (31) și verificați dacă rezervorul de apă de recuperare (30) este gol, dacă nu, goliți-l cu furtunul de drenare (11).
  - Ridicați cu atenție rezervorul (30).



#### AVERTIZARE!

Aveți grijă la folosirea acidului sulfuric, deoarece este corosiv. Dacă intră în contact cu pielea sau ochii, clătiți bine cu apă și consultați un medic.

Bateriile trebuie să fie umplute într-o zonă bine ventilată. Purtați mănuși de protecție.

- Umpleți celulele bateriei cu acid sulfuric pentru baterii (densitate de 1.27 până la 1.29 kg la 25°C) în conformitate cu instrucțiunile prezentate în Manualul pentru Baterii. Cantitatea corectă de acid sulfuric este prezentată în Manualul pentru Baterii.
- Pentru a evita avariarea pardoselii, ștergeți cu o cârpă acidul sulfuric și apa de pe partea superioară a bateriilor după

încărcare.

- Lăsați bateriile în repaus și umpleți-le cu acid sulfuric în conformitate cu instrucțiunile prezentate în Manualul pentru Baterii.
- Schimbați bateriile (consultați procedura din capitolul Întreținere).

### SETĂRILE ÎNCĂRCĂTORULUI PENTRU BATERII

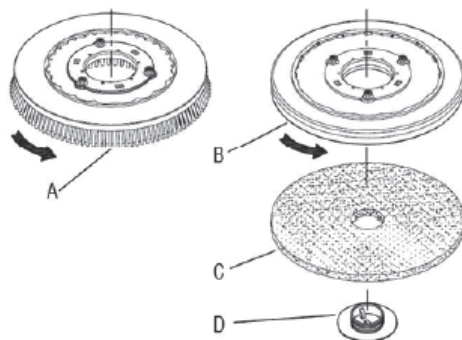
- Setarea implicită a încărcătorului este poziția comună pentru AGM, Gel, SLA, VRLA din fabrică
- Dacă este necesar folosiți poziția LICHID numai pentru bateriile de plumb.

### VERIFICĂRI PRE-FUNCȚIONARE

- Curățați exteriorul utilajului.
- Asigurați-vă că tensiunea utilajului este în conformitate cu tensiunea locală.
- Verificați dacă inserția de cauciuc este instalată corespunzător.
- Verificați dacă peria/garnitura este instalată corespunzător.

### INSTALAREA ANGRENAJULUI PENTRU GARNITURĂ SAU A PERIEI

- Asigurați-vă că utilajul este oprit.
- Coborâți ansamblul capătului de periere pe pardoseală călcând pe pedală și împingând-o înainte.
- Înclinați utilajul în spate pentru a accesa platforma motorului de angrenare.



#### NOTĂ

Înlăturați ansamblul inserției de cauciuc înainte de a înclina utilajul în spate. Face procesul mai rapid și mai ușor.



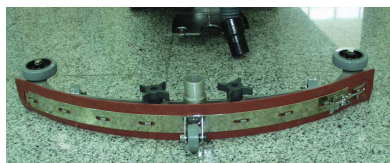
#### AVERTIZARE!

Nu mențineți utilajul înclinat pentru mult timp. Acest lucru poate face ca acidul din baterie să se scurgă din baterii.

- Dacă folosiți un angrenaj de garnitură, mai întâi atașați garnitura corespunzătoare pe suprafața angrenajului de garnitură.
- Montați angrenajul de garnitură sau peria pe platforma motorului de angrenare aliniind cele trei bolțuri cu cele trei orificii de pe platforma motorului de angrenare. După ce intră în orificii, rotiți angrenajul spre clema arcului pentru a fixa angrenajul.

### MONTAREA INSERȚIEI DE CAUCIUC

- Trageți de mânerul de ridicare al inserției de cauciuc pentru a ridica brațul inserției de cauciuc în sus.
- Eliberați cele două butoane de pe inserția de cauciuc și culisați inserția de cauciuc în spațiile din parte posterioară a brațului inserției de cauciuc. (roțile de pe inserția de cauciuc sunt îndreptate înapoi)
- Fixați bine butoanele.



## UMPLEREA REZERVORULUI PENTRU SOLUȚIE

Fang 20HD-EU poate fi umplut prin două locații diferite:

- a. Zona de umplere frontală pentru folosire cu un furtun sau o găleată.
  - b. Zona de umplere posterioară pentru folosirea furtunului.
- Stabiliți ce zonă de umplere doriți să utilizați pentru a umple utilajul cu apă.
  - Umpleți rezervorul de soluție cu până la 52 de litri de apă. (temperatura apei nu trebuie să depășească 40°C). Tubul din partea din stânga spate a utilajului are marcaje pentru galon pentru a ajuta la determinarea nivelului de apă din rezervorul de soluție.



### NOTĂ

Dacă umpleți rezervorul de soluție cu găleata, asigurați-vă ca aceasta este curată. Acest lucru va preveni blocarea țevilor sau a solenoidului cu reziduuri.



### AVERTIZARE!

Nu puneți materiale inflamabile în rezervorul de soluție. Acest lucru poate cauza o explozie sau un incendiu. Folosiți numai substanțele chimice de curățare recomandate. Contactați distribuitorul dvs. de produse de curățare pentru recomandări asupra substanțelor chimice corespunzătoare.

## PORNIREA ȘI OPRIREA UTILAJULUI



### AVERTIZARE!

Nu folosiți utilajul decât dacă ați citit și ați înțeles acest manual.

- Setează carcasa de control la o înălțime confortabilă prin strângerea celor două mânere (16) chiar sub carcasă.
  - Coborâți ansamblul inserției de cauciuc până la pardoseală eliberând mânerul de ridicare (19) de la poziția sa de blocare.
  - Coborâți ansamblul capătului de periere până la pardoseală prin întoarcerea comutatorului de presiune a periei (7) în poziția PORNIT.
  - Așezați comutatorul de alimentare (1) în poziția „PORNIT”.
  - Așezați comutatorul motorului pentru perie (4) în poziția „PORNIT”.
  - Așezați comutatorul motorului pentru vacuum (6) în poziția „PORNIT”.
  - Așezați comutatorul pentru soluție (6) în poziția „PORNIT”.
- a. Soluția nu va curge până la activarea dispozitivelor de acționare.
- Fang 20HD-EU are autopropulsare. Viteza poate fi controlată cu un buton (9) localizat în partea dreaptă a carcasei de control.
  - Fang 20HD-EU are funcție de inversare. Pentru a activa inversarea există un comutator de schimbare (18) localizat în partea stângă a carcasei de control.
  - Pentru a începe curățarea, trageți unul sau amândouă dispozitive de acționare roșii (21). Când sunt trase aceste dispozitive, peria va începe să se învârtă și soluția va curge. FANG20HD-EU se va autopropulsa. FANG20HD-EU: Începeți curățarea mișcând utilajului înainte.



### AVERTIZARE!

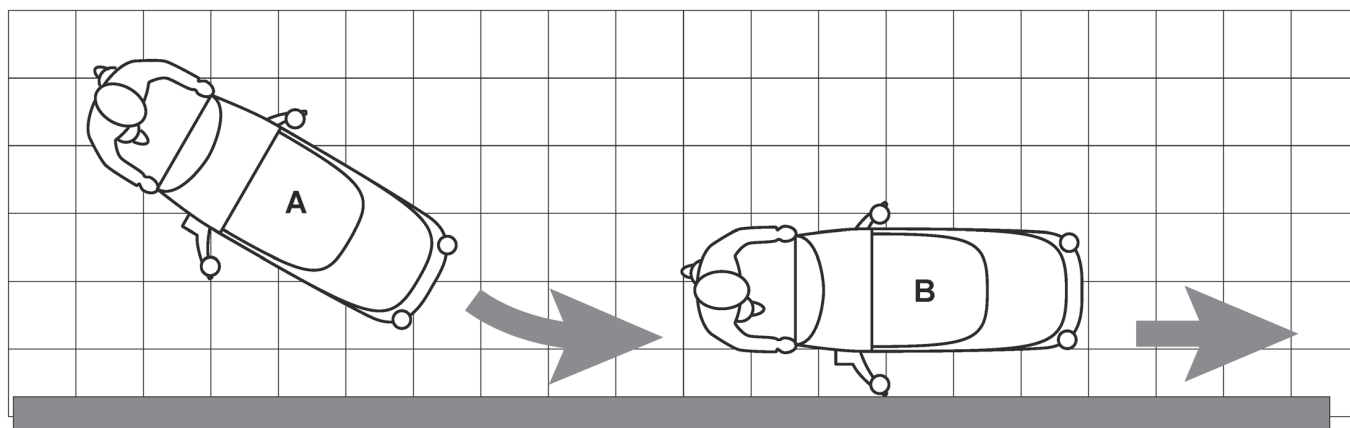
Nu mențineți utilajul în aceeași poziție în timp ce garnitura/peria se învârtă deoarece puteți avaria pardoseala.

- Reglați cantitatea de soluție întorcând butonul de control al soluției (8). Întoarceți spre dreapta pentru mai multă soluție sau spre stânga pentru mai puțină soluție.



### NOTĂ

Pentru o curățare/uscare corectă a pardoselilor la marginile pereților, Viper sugerează să vă apropiați de pereți cu partea dreaptă a utilajului, după cum se prezintă.

**ATENȚIE!**

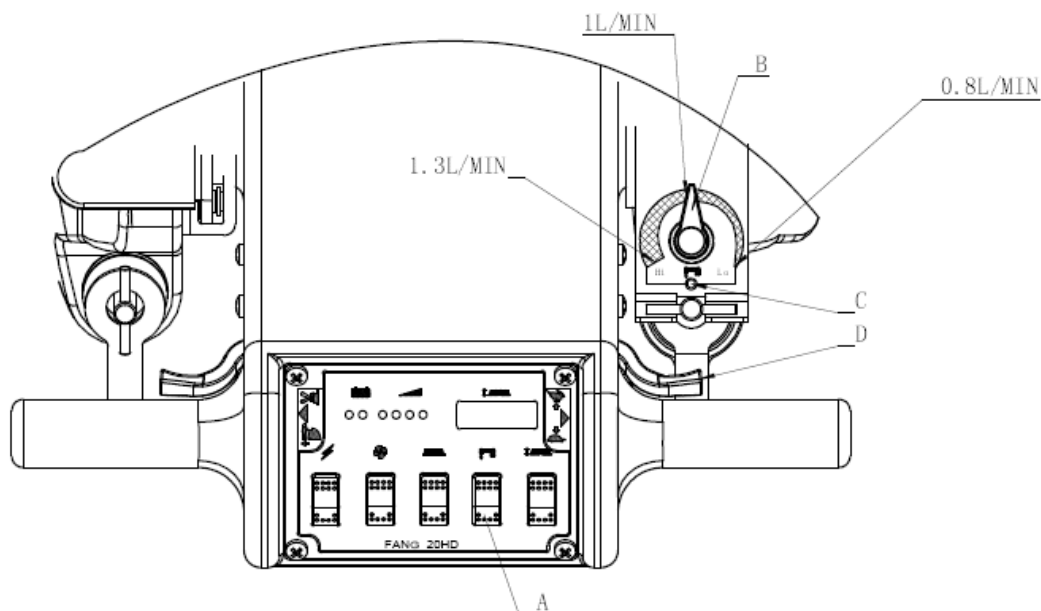
Pentru a evita avarierea suprafeței pardoselii, opriți peria/suportul pentru garnitură atunci când utilajul se oprește, în special când este pornită funcția de presiune suplimentară.

**REGLAREA DEBITULUI DE SOLUȚIE**

- ▶ Așezați comutatorul pentru soluție (A) în poziția „PORNIT”.
- ▶ Reglați cantitatea de soluție răsucind butonul pentru soluție (B), spre stânga (în sensul invers acelor de ceasornic) pentru mai multă soluție sau spre dreapta (în sensul acelor de ceasornic) pentru mai puțină soluție. Bulonul (C) este poziția limită a butonului de control a soluției (B).

**NOTĂ**

Chiar dacă comutatorul de soluție (A) este pornit, soluția nu va curge până la activarea dispozitivelor de acționare (D).

**DESCĂRCAREA BATERIEI ÎN TIMPUL FUNCȚIONĂRII**

Cât timp este aprinsă lumina verde de avertizare (3), bateriile permit utilajului să funcționeze normal.

Când lumina verde de avertizare (3) se stinge și se aprinde lumina de avertizare galbenă (3), se recomandă schimbarea bateriilor, deoarece autonomia reziduală va dura câteva minute (în funcție de caracteristicile bateriei și lucrările realizate).

Când se aprinde lumina de avertizare roșie (3), autonomia a luat sfârșit. După câteva secunde, peria/suportul pentru garnitură

este oprit automat, în timp ce sistemul de vacuum și sistemul de angrenare continuă să funcționeze pentru a usca pardoseala și pentru a duce utilajul în zona de reîncărcare stabilită.

**ATENȚIE!**

Nu folosiți utilajul cu bateriile descărcate, pentru a evita avarierea bateriilor și reducerea perioadei de funcționare a acestora.

**ÎN TIMPUL FOLOSIRII UTILAJULUI**

- ▶ Ocazional, uitați-vă prin capacul rezervorului de recuperare pentru a vedea dacă s-a format spumă. Dacă observați spumă excesivă, adăugați un agent de eliminare a spumei în rezervorul de recuperare.

**AVERTIZARE!**

Spuma nu trebuie să intre în grătarul de oprire al flotorului, deoarece pot apărea avarii ale motorului de vacuum. Spuma nu va activa grătarul de blocare al flotorului.

- ▶ Ocazional, inspectați tubul din partea din stânga spate a utilajului pentru a verifica cantitatea de soluție de curățare care mai este în utilaj.
- ▶ Ocazional, verificați contorul de nivel al bateriei (3). Când acesta este roșu, reîncărcați bateriile.

**AVERTIZARE!**

Când contorul bateriei este roșu nu mai utilizați utilajul. Bateria poate fi avariata.

- Dacă ansamblul inserției de cauciuc lasă urme pe pardoseală, ridicați inserția de cauciuc de pe pardoseală și ștergeți lamele cu o cârpă umedă.

**AVERTIZARE!**

Nu folosiți degetele pentru a șterge sau a înlătura reziduurile de pe lame, pot apărea răni.

- Când rezervorul de soluție se golește, opriți comutatorul periei, comutatorul de soluție și ridicați capătul periei. Lăsați inserția de cauciuc în jos și continuați aspirarea până când este strânsă toată apa murdară. (consultați secțiunea DRENARE REZERVOR pentru a învăța cum să drenați rezervoarele de soluție și recuperare)

**NOTĂ**

Motorul periei este protejat cu disjunctori împotriva avariilor. Dacă acest disjunctori se defectează poate fi resetat imediat. Trebuie mai întâi să determinați ce a cauzat defectarea disjuncturului și să lăsați motorul să se răcească înainte de a reseta disjunctorul.

**DRENAREA REZERVORULUI**

- Întrerupe alimentarea utilajului.
- Cu inserția de cauciuc și capătul periei în „sus”, transportați utilajul în zona aprobată pentru drenarea rezervorului(elor).

**DRENAREA REZERVORULUI DE RECUPERARE (MURDAR)****NOTĂ**

Când curățarea este finalizată sau la umplerea rezervorului de soluție, rezervorul de recuperare trebuie să fie golit și curățat.

**AVERTIZARE!**

Dacă rezervorul de recuperare nu este drenat la umplerea rezervorului de soluție, spuma sau apa pot intra în mecanismul de blocare al flotorului și pot provoca avarierea motorului de vacuum.

- Înlăturați furtunul de drenare de pe suport și așezați-l pe gura de drenare din pardoseală. Întoarceți priza furtunului de drenare pentru a începe procesul de drenare. Pentru a goli complet bazinul de recuperare, deschideți bazinul de recuperare cu balamalele și lăsați-l pe standul de suport.
- Curățați bazinul de recuperare după fiecare utilizare. Folosiți un furtun de apă curată pentru a clăti rezervorul de recuperare. Aveți grijă să nu pulverizați apă în mecanismul de blocare al flotorului.

**NOTĂ**

Dacă depozitați utilajul pentru o perioadă de timp, nu lăsați capacul rezervorului de recuperare pe rezervor astfel încât acesta să se poată usca complet și să aibă un miros plăcut.

- Înlocuiți cu atenție priza furtunului de drenare după ce ați terminat golirea rezervorului.

**DRENARE REZERVORULUI DE SOLUȚIE (CURAT)****NOTĂ**

La finalizarea fiecărei operațiuni de curățare rezervorul de soluție trebuie golit și curățat.

- Trageți în jos de tubul curat (partea din stânga spate a utilajului) pentru a înlătura cârligul furtunului. Acest lucru va permite soluției să curgă liber în găleată sau gaura de drenare din pardoseală.
- Clătiți rezervorul de soluție cu apă curată după fiecare utilizare. Acest lucru va preveni depunerea substanțelor chimice și blocarea țevilor de soluție.
- Cu apă curată în bazinul de soluție, porniți utilajul, așezați comutatorul de soluție în poziția „pornit” și activați dispozitivele de acționare. Acest lucru va permite ca apa curată să treacă și să curețe țevile pentru soluție.
- După ce rezervorul este curățat, clătit și golit, reconectați tubul curat la cârligul furtunului. Asigurați-vă că tubul nu este împins până la capătul cârligului furtunului.

**ÎNCĂRCAREA BATERIEI****NOTĂ**

Pentru cea mai bună performanță a utilajului, păstrați bateriile încărcate în permanență. Nu le lăsați în stare de descărcare.

**NOTĂ**

Dacă utilajul are instalat un încărcător pentru baterie opțional, utilajul nu poate funcționa dacă încărcătorul este la bord. În cazul defectării încărcătorului pentru baterie, contactați un Centru Service autorizat.

**ATENȚIE!**

Folosiți numai încărcătoare aprobate cu următoarele specificații:

- Circuit de oprire automată
- Încărcare ciclică
- Curent de ieșire de 10-20 Amps
- Tensiune de ieșire de 24 de Volți

**ATENȚIE!**

Bateriile sunt periculoase! Bateriile emit gaz de hidrogen care poate duce la o explozie sau la un incendiu. Păstrați bateriile la distanță de scânteii și foc. La încărcarea utilajului asigurați-vă că ați lăsat deschis compartimentul pentru baterii.



- Așezați încărcătorul și utilajul într-o zonă bine ventilată.
- Opriți utilajul.
- Deschideți rezervorul de recuperare expunând compartimentul bateriei.
- Verificați nivelul lichidului în fiecare celulă a bateriei. Nu încărcați bateriile decât dacă lichidul este ușor peste plăcile bateriei. Nu umpleți prea mult bateriile. Acest lucru poate face ca bateriile să se reverse în timpul încărcării din cauza expansiunii. Înlocuiți capacele înainte de încărcare.



- Conectați încărcătorul aprobat în priză cu împământare înainte de a conecta încărcătorul la utilaj.
- Conectați încărcătorul la priză roșie pentru încărcător localizată în partea din stânga față a compartimentului pentru baterii.
- Întoarceți rezervorul de recuperare „stand opus” și așezați cu grijă rezervorul de recuperare până ajunge pe stand.
- Încărcătorul pentru baterie va începe automat încărcarea bateriilor și se va opri automat după ce bateriile sunt complet încărcate.
- La finalizarea încărcării, mai întâi deconectați încărcătorul de la priză și deconectați-l de la utilaj.
- Verificați nivelul bateriei după finalizarea încărcării. Dacă nivelul lichidului este scăzut, adăugați apă distilată pentru a aduce nivelul lichidului la baza tuburilor de verificare. Înlocuiți capacele și ștergeți bateriile cu un prosop.

## ÎNTREȚINERE

Pentru a asigura o funcționare bună a utilajului pentru mai mulți ani, urmați aceste proceduri de întreținere.



### ATENȚIE!

Asigurați-vă că utilajul este oprit și cablul bateriei deconectat înainte de a realiza orice întreținere sau reparații.

## ÎNTREȚINERE ZILNICĂ

- Înlăturați angrenajul pentru garnitură/perie și curățați cu un agent de curățare corespunzător
- Goliți complet rezervoarele de recuperare și soluție și clătiți-le cu apă curată, inspectați vizual rezervorul de recuperare pentru urme de reziduuri și curățați-l dacă este necesar.
- Ridicați ansamblul inserției de cauciuc de pe pardoseală și ștergeți-l cu un prosop umed. Asigurați-vă că ați depozitat inserția de cauciuc în poziție dreaptă.
- Înlăturați ansamblul de blocare al flotorului și clătiți-l cu apă curată.
- Curățați utilajul cu un agent de curățare aprobat și un prosop umed. Nu pulverizați apă pentru a curăța exteriorul utilajului pentru a evita avarierea motorului și a cablajului.
- Reîncărcați bateriile.



## ÎNTREȚINERE SĂPTĂMÂNALĂ

- Verificați nivelul lichidului din baterii.
- Verificați bateriile în ceea ce privește cablurile slăbite sau corodate.
- Protejați părțile superioare ale bateriilor de coroziune.

## ÎNTREȚINERE LUNARĂ

- Verificați utilajul în ceea ce privește scurgerile și dispozitivele de fixare slăbite.
- Lubrifiați toate punctele de lubrifiere și punctele de pivotare cu spray de silicon și lubrifianț aprobat.
- Așezați utilajul pe o gaură de drenare din pardoseală. Goliți sistemul pentru soluție turnând 10 litri de apă fierbinte și detergent alcalin aprobat în rezervorul de soluție și utilajul în funcțiune (cu controlul soluției pornit) pentru 45 de secunde. Opriți utilajul și lăsați-l așa peste noapte. În ziua următoare, goliți soluția rămasă și clătiți rezervorul de soluție cu apă curată.

## CURĂȚAREA FILTRULUI MOTORULUI SISTEMULUI DE VACUUM

- Aduce utilajul pe o pardoseală nivelată.
- Întoarceți cheia de pornire (32) la „OPRIT”.
- Deschideți rezervorul de recuperare.
- Dacă este necesar, drenați apa din rezervor pentru a face filtrul vizibil.
- Verificați dacă pre-filtrul este curat. Dacă este necesar curățați-l cu apă și aer comprimat, apoi instalați-l.
- Realizați pașii 1, 2 și 3 în ordine inversă.

## CURĂȚAREA FILTRULUI PENTRU SOLUȚIE/APĂ CURATĂ

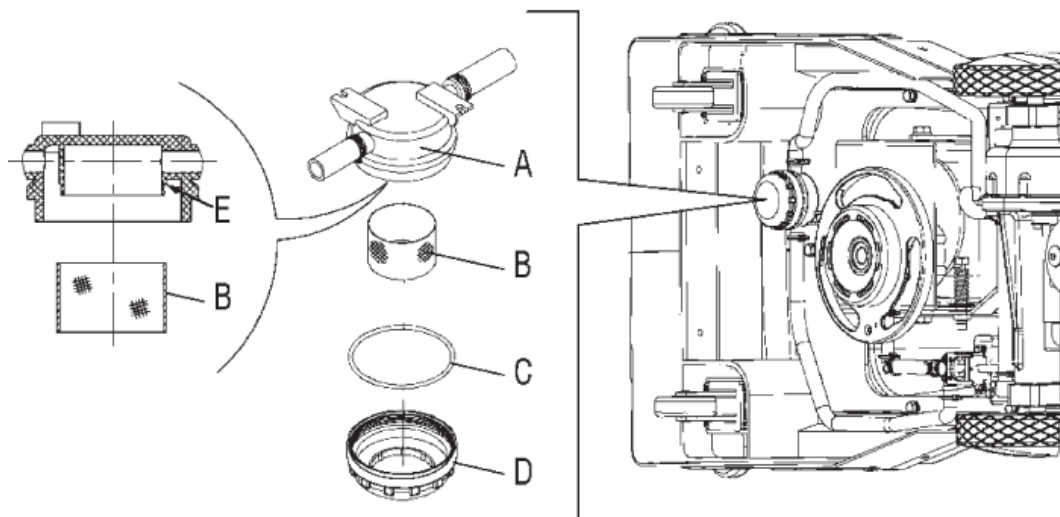
- Aduce utilajul pe o pardoseală nivelată.
- Întoarceți cheia de pornire (32) la „OPRIT”.

- Înlăturați capacul transparent (D) (poziția filtrului de apă este sub utilaj), apoi înlăturați sita filtrului (B). Curățați-le și instalați-le pe suport (A).



## NOTĂ

Sita filtrului (B) trebuie să fie poziționată corect pe carcasa (E) suportului (A).

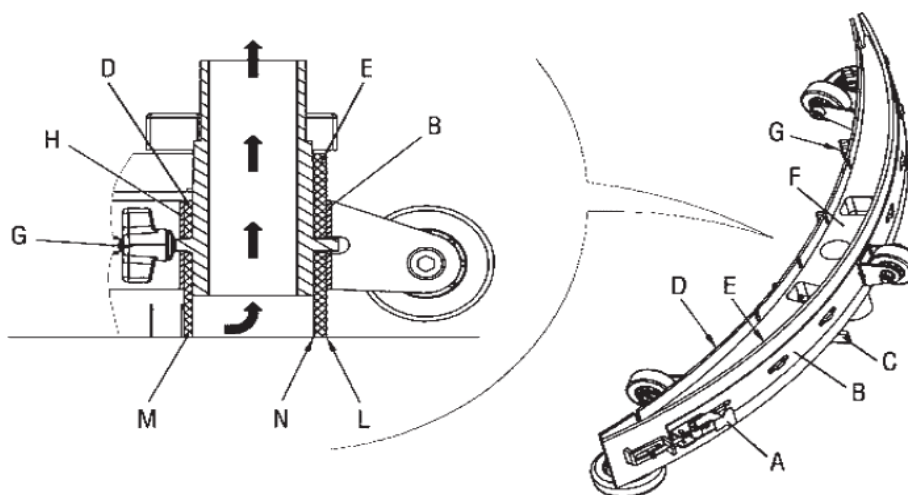


## VERIFICAREA ȘI ÎNLOCUIREA LAMELOR INSERȚIEI DE CAUCIUC

- Curățați inserția de cauciuc conform instrucțiunilor din paragraful anterior.
- Verificați dacă marginea (E) lamei frontale (D) și marginea (L) lamei posterioare (E) sunt la același nivel, pe toată lungimea lor; dacă nu e cazul, reglați-le înălțimea conform următoarei proceduri:
  - Decuplați siguranțele (A) pentru a regla lama posterioară (E); apoi cuplați siguranțele.
  - Slăbiți roțile de mână (G) și ajustați lama frontală (D); apoi strângeți roțile de mână.
- Verificați dacă lama frontală (D) și lama posterioară (E) sunt întregi, tăiate sau rupte; dacă e necesar, înlocuiți-le conform figurii de mai jos. Verificați colțul frontal (N) al lamei posterioare pentru uzură; în caz contrar, răsturnați lama pentru a înlocui colțul uzat cu unul integral. Dacă și celelalte colțuri sunt uzate, înlocuiți lama conform următoarei proceduri:
  - Decuplați siguranțele (A) și îndepărtați banda de reținere (B), apoi înlocuiți/răsturnați lama posterioară (E). Instalați lama în ordinea inversă demontării.
  - Deșurubați roțile de mână (G) și îndepărtați banda de reținere (H), apoi înlocuiți lama frontală (D). Instalați lama în ordinea inversă demontării.

După înlocuirea (sau răsturnarea) lamei, reglați înălțimea conform instrucțiunilor din pasul anterior.

- Conectați furtunul de vacuum (33) la inserția de cauciuc.
- Instalați inserția de cauciuc (13) și strângeți roțile de mână (34).



### CURĂȚAREA PERIEI/GARNITURII



**ATENȚIE!**

Risc de tăiere.

Se recomandă a se purta mănuși de protecție în timpul curățării periei/garniturii deoarece pot exista impurități ascuțite.

- Scoateți peria/garnitura de pe utilaj, conform instrucțiunilor din capitolul Utilizare.
- Curățați și spălați peria/garnitura cu apă și detergent.
- Verificați dacă peria/garnitura este integrală și neuzată excesiv; dacă e cazul, înlocuiți-o.

### DEPANARE

PROBLEMĂ	CAUZĂ	SOLUȚIE
Fără electricitate	Baterii defecte	Înlocuiți bateriile
	Bateriile trebuie încărcate	Încărcați bateriile (consultați Încărcare Baterii)
	Cablul pentru baterie slăbit	Strângeți cablul(urile) slăbit(e)
	Bateriile nu sunt conectate în mod corespunzător	Urmați instrucțiunile pentru instalarea bateriilor
Motorul perie nu funcționează	Comutator perie defect	Contactați Distribuitorul Viper
	Disjunctorul perie s-a blocat	Verificați motorul perie pentru obstrucții și resetați disjunctorul
	Redresorul s-a ars	Contactați Distribuitorul Viper
	Cablaj defect	Contactați Distribuitorul Viper
	Motor perie defect	Contactați Distribuitorul Viper
	Periile din carbon s-au uzat	Contactați Distribuitorul Viper
	Solenoid defect	Contactați Distribuitorul Viper
Motorul de vacuum nu funcționează	Comutator de vacuum defect	Contactați Distribuitorul Viper
	Cablaj defect	Contactați Distribuitorul Viper
	Motor de vacuum defect	Contactați Distribuitorul Viper
	Periile din carbon s-au uzat	Contactați Distribuitorul Viper
Timp de funcționare scurt	Bateriile trebuie schimbate	Schimbați bateriile (consultați Schimbare Baterii)
	Bateriile necesită întreținere	Consultați Întreținere Baterii din acest manual
	Celulă defectă în baterie (baterii)	Înlocuiți bateriile
	Încărcător defect	Înlocuiți încărcătorul
Flux de soluție scăzut sau absent	Comutator de soluție defect	Contactați Distribuitorul Viper
	Solenoid pentru soluție defect	Contactați Distribuitorul Viper
	Filtru pentru soluție defect	Scoateți filtrul și curățați-l
	Linia pentru soluție blocată	Scoateți linia pentru soluție și curățați-o

PROBLEMĂ	CAUZĂ	SOLUȚIE
	Butonul de reglare a fluxului trebuie ajustat	Creșteți fluxul întorcând butonul de reglare a soluției către dreapta. Scădeți fluxul întorcând butonul de reglare a soluției către stânga.
Preluare scăzută a apei	Insertie de cauciuc blocată	Curățați impuritățile de pe insertia de cauciuc cu un prosop uscat
	Lamele insertiei de cauciuc sunt uzate	Instalați lame noi pentru insertia de cauciuc
	Insertia de cauciuc nu a fost montată în mod corespunzător	Asigurați-vă că ansamblul insertiei de cauciuc este fixat bine pe utilaj și că nu există fittinguri slăbite.
	Furtunurile de vacuum au găuri sau sunt slăbite	Verificați racordurile furtunurilor și asigurați-vă că sunt ferme. Înlocuiți furtunul dacă acesta este defect.
	Furtunul de vacuum poate fi blocat	Verificați furtunul pentru impurități și îndepărtați orice blocaj.
	Dopul pentru furtunul de drenaj este slăbit	Strângeți dopul pentru gura de drenaj.
	Bateriile trebuie încărcate	Încărcați bateriile (consultați Încărcare Baterii)
	Motorul de vacuum este slăbit	Strângeți șuruburile pentru fixarea motorului de vacuum. Nu strângeți prea tare deoarece pot fi
	Capacul rezervorului de recuperare este slăbit	Asigurați-vă că rezervorul de recuperare gol are capacul fixat bine.
	Orificiul de admisie al rezervorului de recuperare este blocat	Goliți rezervorul de recuperare și aplecați-l pe o parte. Verificați orificiul de admisie pentru impurități și îndepărtați-le.
	Rezervorul de recuperare este plin	Goliți rezervorul de recuperare.
Blocarea flotorului este înfundată	Scoateți blocarea flotorului din interiorul rezervorului de recuperare și îndepărtați orice	

## DEPOZITARE



### ATENȚIE!

Dacă depozitați utilajul într-o zonă în care poate îngheța, asigurați-vă că ambele rezervoare și că instalația pentru soluție nu conțin apă și că sunt goale!

- Depozitați aparatul într-un loc uscat, protejat de îngheț.
- Temperatura de depozitare a utilajului trebuie să fie între 0°C și + 40°C.
- Depozitați întotdeauna utilajul în interior.
- Scoateți întotdeauna angrenajul/peria pentru garnitură.
- Depozitați întotdeauna utilajul cu ansamblul insertiei de cauciuc ridicat de pe podea.
- Dacă depozitarea se face într-o zonă în care pot apărea temperaturi de îngheț, asigurați-vă că ați evacuat toate lichidele din utilaj înainte de depozitare. Nicio avarie cauzată de temperaturile de îngheț nu vor fi acoperite de garanție.
- Goliți rezervorul de recuperare și îndepărtați vizorul de pe partea superioară a bazinului de recuperare pentru ca acesta să poată „respira” în timpul depozitării.
- Evacuați tot lichidul din rezervorul de recuperare.

## RECICLAREA DISPOZITIVULUI DE CURĂȚARE

Eliminați imediat dispozitivul de curățare vechi:

- Scoateți bateriile
- Nu eliminați aparatele electrice împreună cu deșeurile menajere



Conform Directivei Europene 2002/96/CE cu privire la aparatele electrice și electronice vechi, bunurile electrice utilizate trebuie să fie colectate separat și reciclate într-un mod favorabil mediului. Contactați autoritățile locale sau distribuitorul cel mai apropiat pentru mai multe informații.

## ОГЛАВЛЕНИЕ

<b>ВСТУПЛЕНИЕ</b> .....	<b>276</b>
СОДЕРЖАНИЕ И НАЗНАЧЕНИЕ ИНСТРУКЦИЙ.....	276
ЦЕЛЬ.....	276
КАК ХРАНИТЬ ИНСТРУКЦИИ.....	276
ДЕКЛАРАЦИЯ СООТВЕТСТВИЯ.....	276
ИДЕНТИФИКАЦИОННЫЕ ДАННЫЕ.....	276
ДРУГИЕ СПРАВОЧНЫЕ РУКОВОДСТВА.....	276
ЗАПАСНЫЕ ЧАСТИ И ОБСЛУЖИВАНИЕ.....	276
ИЗМЕНЕНИЯ И УСОВЕРШЕНСТВОВАНИЯ.....	276
ЦЕЛИ И ПРЕДПОЛАГАЕМОЕ ИСПОЛЬЗОВАНИЕ.....	277
ПОЛОЖЕНИЯ.....	277
<b>РАСПАКОВКА/ДОСТАВКА</b> .....	<b>277</b>
<b>БЕЗОПАСНОСТЬ</b> .....	<b>277</b>
СИМВОЛЫ МАРКИРОВКИ ИНСТРУКЦИЙ.....	277
ОБЩИЕ ИНСТРУКЦИИ.....	278
<b>ОПИСАНИЕ УСТРОЙСТВА</b> .....	<b>281</b>
СТРУКТУРА УСТРОЙСТВА.....	281
АКСЕССУАРЫ/ОПЦИИ.....	282
СХЕМА ПРОВОДКИ (FANG20HD-EU).....	284
<b>ЭКСПЛУАТАЦИЯ</b> .....	<b>285</b>
ПЕРЕД ЗАПУСКОМ МАШИНЫ.....	285
ВО ВРЕМЯ ЭКСПЛУАТАЦИИ МАШИНЫ.....	289
<b>ОБСЛУЖИВАНИЕ</b> .....	<b>291</b>
ЕЖЕДНЕВНОЕ ОБСЛУЖИВАНИЕ.....	291
ЕЖЕНЕДЕЛЬНОЕ ОБСЛУЖИВАНИЕ.....	291
ЕЖЕМЕСЯЧНОЕ ОБСЛУЖИВАНИЕ.....	291
ОЧИСТКА ФИЛЬТРА ВАКУУМНОЙ ДВИГАТЕЛЬНОЙ СИСТЕМЫ.....	292
ОЧИСТКА ФИЛЬТРА РАСТВОРА/ ЧИСТОЙ ВОДЫ.....	292
ПРОВЕРКА И ЗАМЕНА ЛОПАСТЕЙ ВАЛИКА.....	292
ОЧИСТКА ЩЕТКИ/ПОДКЛАДКИ.....	293
<b>УСТРАНЕНИЕ НЕИСПРАВНОСТЕЙ</b> .....	<b>293</b>
<b>ХРАНЕНИЕ</b> .....	<b>294</b>
<b>УТИЛИЗАЦИЯ ОЧИСТИТЕЛЯ</b> .....	<b>295</b>

**ВСТУПЛЕНИЕ****ПРИМЕЧАНИЕ**

Цифры в скобках означают номера комплектующих, изображенных в главе «Описание устройства».

**СОДЕРЖАНИЕ И НАЗНАЧЕНИЕ ИНСТРУКЦИЙ**

Целью данной инструкции является снабжение пользователя всей необходимой информацией для правильного, безопасного и автономного использования устройства. Инструкция содержит техническую информацию о комплектующих, данные о безопасности эксплуатации, хранения, технического обслуживания и утилизации. Перед выполнением любой из задач оператор устройства должен внимательно прочитать инструкцию. Свяжитесь с компанией Viper в случае любых сомнений по поводу информации, данной в инструкции и по любым другим вопросам.

**ЦЕЛЬ**

Мануал создан специально для технического персонала, имеющего дело с обслуживанием устройства.

Обычный пользователь не должен выполнять работу, предназначенную для технического персонала. Компания Viper не несет ответственность за неисполнение этого правила.

**КАК ХРАНИТЬ ИНСТРУКЦИИ**

Руководство пользователя должно храниться недалеко от устройства, в удобной упаковке, без доступа жидкостей и других субстанций, которые могут испортить инструкцию.

**ДЕКЛАРАЦИЯ СООТВЕТСТВИЯ**

Декларация соответствия, поставляемая вместе с устройством, удостоверяет соответствие устройства действующему законодательству.

**ПРИМЕЧАНИЕ**

Две копии оригинальной декларации соответствия поставляются вместе с документацией устройства. Декларация CE напечатана на Кратком руководстве пользователя.

**ИДЕНТИФИКАЦИОННЫЕ ДАННЫЕ**

Модель устройства и серийный номер маркированы на самом устройстве.

Эта информация может быть полезной при замене комплектующих. Используйте следующую таблицу для записи идентификационных данных устройства.

Модель устройства.....

Серийный номер устройства.....

**ДРУГИЕ СПРАВОЧНЫЕ РУКОВОДСТВА**

- Мануал по обслуживанию (может быть приобретен в сервисном центре Viper)
- Список комплектующих (см. [www.vipercleaning.eu](http://www.vipercleaning.eu))

**ЗАПАСНЫЕ ЧАСТИ И ОБСЛУЖИВАНИЕ**

Все необходимое техническое обслуживание и процедуры по ремонту должны выполняться квалифицированными специалистами сервисных центров Viper. Должны использоваться только оригинальные комплектующие. Свяжитесь с компанией Viper для сервисного обслуживания или заказа частей и комплектующих, предварительно уточнив серийный номер и модель устройства.

**ИЗМЕНЕНИЯ И УСОВЕРШЕНСТВОВАНИЯ**

Компания Viper постоянно улучшает свою продукцию и оставляет за собой право вносить изменения без необходимости изменения комплектации уже проданного оборудования.

Любые изменения и/или дополнительные комплектующие должны быть одобрены и введены в эксплуатацию



компанией Vipec.

## ЦЕЛИ И ПРЕДПОЛАГАЕМОЕ ИСПОЛЬЗОВАНИЕ

Все автоматические очистительные устройства эксклюзивно разработаны для влажной уборки водонепроницаемых напольных покрытий в интерьерах зданий.

Автоматические очистительные устройства не могут быть использованы для очистки ковров.

Устройство подходит для коммерческого использования, например, в гостиницах, школах, больницах, фабриках, магазинах, офисах и предприятиях.

Любой другой вид использования признается неправильным. Производитель не несет ответственности за поломки в ходе неправильного использования. Риск поломки прибора целиком ложится на пользователя.

Правильное использование подразумевает правильную эксплуатацию, сервисное и ремонтное обслуживание в соответствии с инструкцией.

Изменения, привнесенные в прибор самостоятельно пользователем, не входят в сферу ответственности производителя.

Напольные покрытия должны проверяться на целесообразность такого вида их очистки перед использованием устройства!

Учитывайте уровень давления, особенно в случае эластичных напольных покрытий, например, в учебных заведениях!

Производитель также не несет никакой ответственности за повреждения прибора и напольного покрытия в случае использования неправильного очистительного средства и щеток.

## ПОЛОЖЕНИЯ

Спереди, сзади, слева справа и сверху являются позициями оператора прибора при эксплуатации.

## РАСПАКОВКА/ДОСТАВКА

При распаковке устройства, внимательно следуйте инструкциям на упаковке.

Когда прибор доставлен, убедитесь, что ни он сам, ни упаковка не были повреждены. В случае заметных повреждений, сохраняйте упаковку и убедитесь, что ее проверяет также и курьер. Попросите курьера заполнить жалобу о повреждении прибора.

Проверьте содержимое упаковки для того, чтобы убедиться, что все комплектующие на месте:



- Прибор
- набор ракелей
- щетки (подушечки)

## БЕЗОПАСНОСТЬ

Следующие символы означают потенциально опасные ситуации. Всегда внимательно читайте информацию такого рода и принимайте все необходимые меры по защите людей и имущества.

Осведомленность оператора о потенциально опасных ситуациях крайне важна. Никакая программа по предотвращению опасности не может быть так эффективна, как постоянное внимание персонала, работающего с оборудованием. Большинство несчастных случаев могут произойти на производстве, в среде постоянного движения и работы, они могут быть вызваны нарушением самых простейших мер безопасности. Ответственные и осторожные работники – лучшая гарантия безопасности работы и скорейшего предотвращения опасных ситуаций.

## СИМВОЛЫ МАРКИРОВКИ ИНСТРУКЦИЙ

	<p><b>ОПАСНОСТЬ!</b> Опасность, напрямую приводящая к необратимым травмам или смерти.</p>
	<p><b>ПРЕДУПРЕЖДЕНИЕ!</b> Опасность, которая может привести к серьезной травме или смерти.</p>

**ВНИМАНИЕ!**

Danger that can lead to minor injuries and damage.

**ПРИМЕЧАНИЕ**

Замечание, относящееся к важным или полезным функциям.

## ОБЩИЕ ИНСТРУКЦИИ

Особые предупреждения и указание на опасность информируют о потенциальных повреждениях, которые могут быть нанесены как прибору, так и людям.

Прибор должен

- использоваться только персоналом, прошедшим инструктаж по правильному использованию и знакомым с такого рода работами
- использоваться под наблюдением
- храниться вне досягаемости детей

Рабочая позиция оператора находится за прибором.

Не используйте какие-либо из опасных приемов работы.

Всегда направляйте прибор двумя руками.

В режиме ожидания сразу отключайте щетки для предотвращения повреждения напольного покрытия.

Отключайте прибор и отсоединяйте кабель питания в следующих ситуациях:

- Перед очисткой и обслуживанием
- Перед заменой комплектующих
- Перед переходом на другой вид очистки

Использование очистителя зависит от текущих национальных стандартов. Помимо инструкций эксплуатации и законодательства стран, соблюдайте также объективные правила безопасности работы.

## ТРАНСПОРТИРОВКА

При транспортировке прибора в лифте

- следите за соблюдением норм техники безопасности, в особенности обращайте внимание на грузоподъемность лифта.

## РАБОТА

Для предотвращения работы с устройством неавторизованного персонала, источник питания должен быть отключен или заблокирован, например, путем удаления ключа выключателя питания.

Принимайте все необходимые меры предосторожности для предотвращения попадания волос, украшений и краев одежды во вращающиеся части механизма.

Перед использованием прибора, закройте все дверцы/или крышки.

Рабочая температура прибора должна лежать в диапазоне от 0°C до +40°C.

Влажность должна быть между 30% и 95%.

Не используйте прибор как средство передвижения.

В случае возгорания, используйте огнетушитель, не тушите пожар только водой.

Не пренебрегайте мерами предосторожности при обращении с устройством, точно следуйте всем инструкциям по уходу.

Следите, чтобы в отверстия машины не попадали никакие инородные объекты. Не используйте устройство при заблокированных отверстиях. Держите отверстия чистыми от пыли, волос и других инородных тел, которые могут помешать свободному течению воздуха.

Не отсоединяйте и не меняйте конфигурацию пластин, прикрепленных к машине.

Если устройство используется в соответствии с инструкцией, его вибрации неопасны. Уровень вибрации машины менее, чем 2.5 m/s<sup>2</sup> (98/37/ЕЕС-EN 1033/1995).

Уровни вибрации ладони/руки меньше, чем 2,5 m/s<sup>2</sup> (измерено в соответствии со стандартом ISO 5349), что является лимитом при бесперебойной работе в течение 8 часов.

Устройство не может быть использовано на дороге, на улицах.

Устройства Viperg можно использовать со стандартными моющими средствами, которые не нанесут вреда поверхности машин Viperg (не используйте растворители и другие жидкие агрессивные составы). Компания Viperg не берет на себя ответственность по гарантийному ремонту, если вы использовали неправильные средства с устройствами Viperg. При необходимости получения специального очистительного средства, свяжитесь с вашим поставщиком компании Viperg.

При транспортировке устройства обратите внимание на то, что температура не достигает нуля градусов (точки замерзания). Вода в резервуаре или в трубах может замерзнуть и нанести повреждение прибору.

### ОБСЛУЖИВАНИЕ

Для правильной и безопасной эксплуатации необходимо регулярное техническое обслуживание, описанное в отдельной главе мануала, оно должно выполняться авторизованным персоналом сервисного центра Viperg.

Внимательно прочитайте инструкции перед выполнением каких-либо процедур технического обслуживания или ремонта прибора.

Не работайте под поднятым прибором, не устанавливая его на специальную опору.

Не мойте прибор прямыми струями воды под давлением, не используйте абразивные очистительные средства.

### ГАРАНТИЯ


Общие принципы нашей компании применимы также и к принципам гарантийного обслуживания.


Внесение неавторизованных изменений в устройство, использование неправильных щеток и очистителей, а также использование прибора не по назначению освобождают производителя от ответственности за повреждения устройства.

### ИСПЫТАНИЯ И СЕРТИФИКАЦИЯ

Электрические испытания должны выполняться в соответствии с требованиями мер безопасности (BGV A3) и DIN VDE 0701 часть 1 и часть 3. В соответствии с DIN VDE 0702 эти тестирования должны проводиться с регулярными интервалами, а также после ремонта и внесения модификаций.


### ЭЛЕКТРИЧЕСКИЕ КОМПОНЕНТЫ

	<p><b>ОПАСНОСТЬ</b> Батареи. Риск взрыва.</p> <ul style="list-style-type: none"> <li>➤ Зарядка аккумулятора производит взрывоопасный водород. Держите сборку баков открытой во время зарядки аккумулятора и выполняйте эту процедуру в хорошо проветриваемом помещении, подальше от открытого огня.</li> <li>➤ Для снижения риска возникновения пожара, поражения электрическим током или травмы, не оставляйте машину без присмотра, когда она включена. Перед выполнением любой процедуры технического обслуживания, отключите кабель зарядного устройства от электрической сети.</li> <li>➤ Не курите во время зарядки аккумулятора.</li> <li>➤ Использование неоригинальных запасных частей, аксессуаров, аккумуляторов и зарядных устройств может повлиять на безопасность прибора. Используйте только запасные части и аксессуары от Viperg и используйте рекомендованные VIPER аккумуляторы и зарядные устройства. При использовании несертифицированных и не рекомендованных аккумуляторов и зарядных устройств, VIPER не будет покрывать стоимость ущерба (гарантии).</li> </ul>
---	---


	<p><b>ВНИМАНИЕ</b> Зарядное устройство аккумулятора. Поражение электрическим током из-за неисправности сети соединительного кабеля или зарядного кабеля. Неправильное подключение кабеля питания или зарядного устройства может привести к серьезным или даже смертельным травмам.</p>
---	--

	<ul style="list-style-type: none"> <li>➤ Храните аккумулятор вдали от искр, открытого огня и раскаленных предметов. В ходе нормальной эксплуатации будут выделяться взрывоопасные газы.</li> <li>➤ Перед использованием зарядного устройства, убедитесь, что частота и напряжение, указанные на табличке с серийным номером, соответствуют электрическому напряжению.</li> <li>➤ Не допускайте повреждения сетевого шнура питания (например, при движении, потянув или наступив).</li> <li>➤ Регулярно проверяйте ли шнур питания на наличие повреждений или признаков старения.</li> <li>➤ При неправильном подключении кабеля питания замените ваш прибор представителем службы Viper или квалифицированным электриком перед использованием прибора снова.</li> <li>➤ Не тяните и не переносите устройство, кабель зарядного устройства и никогда не используйте кабель зарядного устройства в качестве ручки. Не закрывайте дверь, зажимая кабель зарядного устройства, и не тяните кабель вокруг острых краев или углов.</li> <li>➤ Держите кабель зарядного устройства подальше от нагретых поверхностей.</li> <li>➤ Не заряжайте аккумуляторы, если кабель зарядного устройства или вилка повреждены. Если машина не работает как следует, есть повреждения, была оставлена на открытом воздухе или упала в воду, верните ее в сервисный центр</li> </ul>
--	---


## ЛЕСТНИЦЫ И СПУСКИ

	<p><b>ВНИМАНИЕ</b> Существует риск упасть или поскользнуться на лестнице и спуске. При переходе по лестнице или спуску есть риск травм и повреждения имущества.</p> <ul style="list-style-type: none"> <li>➤ Не спускайтесь по лестнице.</li> <li>➤ Используйте прибор только на ровной поверхности с максимальным спуском 2%.</li> </ul>
---	---


## НАПОЛЬНЫЕ ПОКРЫТИЯ

	<p><b>ВНИМАНИЕ</b> Повреждение чувствительных напольных покрытий. Особенно чувствительные напольные покрытия могут быть повреждены чисткой.</p> <ul style="list-style-type: none"> <li>➤ Перед чисткой проверьте подходят ли данные напольные покрытия для этой техники очистки.</li> <li>➤ Остерегайтесь области сжатия на упругих эластичных полах, например, в спортивных залах.</li> <li>➤ Используйте только чистящие средства, одобренные Viper.</li> </ul>
---	---


## МАТЕРИАЛЫ, ОПАСНЫЕ ДЛЯ ЗДОРОВЬЯ

	<p><b>ПРЕДУПРЕЖДЕНИЕ</b> Материалы в напольных покрытиях опасны для здоровья Напольные покрытия могут содержать материалы, опасные для здоровья, которые растворяются во время чистки.</p> <ul style="list-style-type: none"> <li>➤ Не используйте для чистки напольные покрытия, из которых могут выделяться опасные для здоровья пыль или жидкости.</li> </ul>
---	--

## РИСК ВЗРЫВА

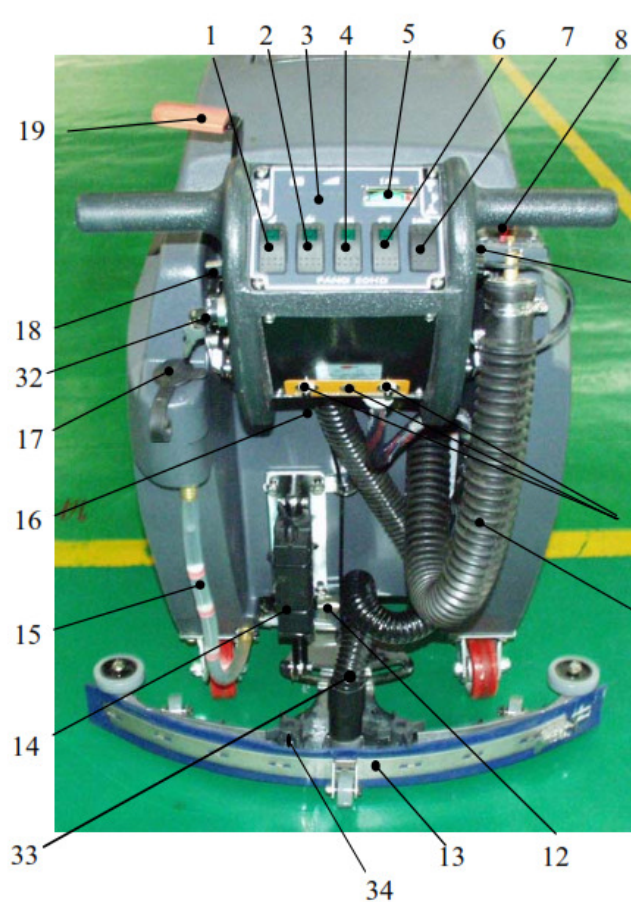
	<p><b>ПРЕДУПРЕЖДЕНИЕ</b> Горючие и взрывоопасные материалы Опасность взрыва во взрывоопасных зонах или районах, где хранятся легковоспламеняющиеся и взрывоопасные материалы.</p> <ul style="list-style-type: none"> <li>➤ Не используйте машину вблизи опасных, легковоспламеняющихся и / или взрывоопасных порошков, жидкостей и паров.</li> </ul>
---	--

## ЗАПАСНЫЕ ЧАСТИ И КОМПЛЕКТУЮЩИЕ

	<p><b>ВНИМАНИЕ</b> Неоригинальные компоненты и непригодные моющие средства. Использование неоригинальных запчастей и непригодных моющих средств может повлиять на безопасность прибора и привести к повреждениям.</p> <ul style="list-style-type: none"> <li>➤ Используйте только запасные части и аксессуары от Viper.</li> <li>➤ Используйте только принадлежности и моющие средства поставляемые с прибором или указанные в инструкции по эксплуатации.</li> </ul>
---	---

## ОПИСАНИЕ УСТРОЙСТВА

### СТРУКТУРА УСТРОЙСТВА



1. Главный переключатель питания ВКЛ/ВЫКЛ
2. Переключатель вакуумного режима ВКЛ/ВЫКЛ
3. Измеритель уровня батареи
4. Переключатель щетки ВКЛ/ВЫКЛ
5. Измеритель давления щетки
6. Переключатель растворителя ВКЛ/ВЫКЛ
7. Переключатель давления щетки ВВЕРХ/ВНИЗ
8. Регулятор управления растворителем
9. Регулятор контроля скорости
10. Автоматические выключатели
11. Сливной шланг восстановительного бака
12. Гайка & вал регулировки ракеля
13. Установка ракеля
14. Привод чистящей головки
15. Трубка бака с растворителем

16. Рычаги настройки консоли
17. Заднее наполнение бака
18. Реверсивный переключатель
19. Рычаг подъема ракеля
20. Управление корпусом
21. Операционные триггеры
22. Бак с растворителем
23. Задние ролики
24. Колесики для перемещения
25. Чистящая головка
26. Край чистящей головки
27. Защелка края корпуса
28. Защитные ролики
29. Переднее наполнение бака
30. Бак утилизации
31. Крышка бака утилизации
32. Выключатель с ключом
33. Вакуумный шланг ракеля
34. Маховик установки ракеля

Маховик установки ракеля



## АКСЕССУАРЫ/ОПЦИИ

В дополнение к стандартным компонентам, машина может быть оснащена следующими Аксессуарами / опциями, в зависимости от конкретного использования машины:

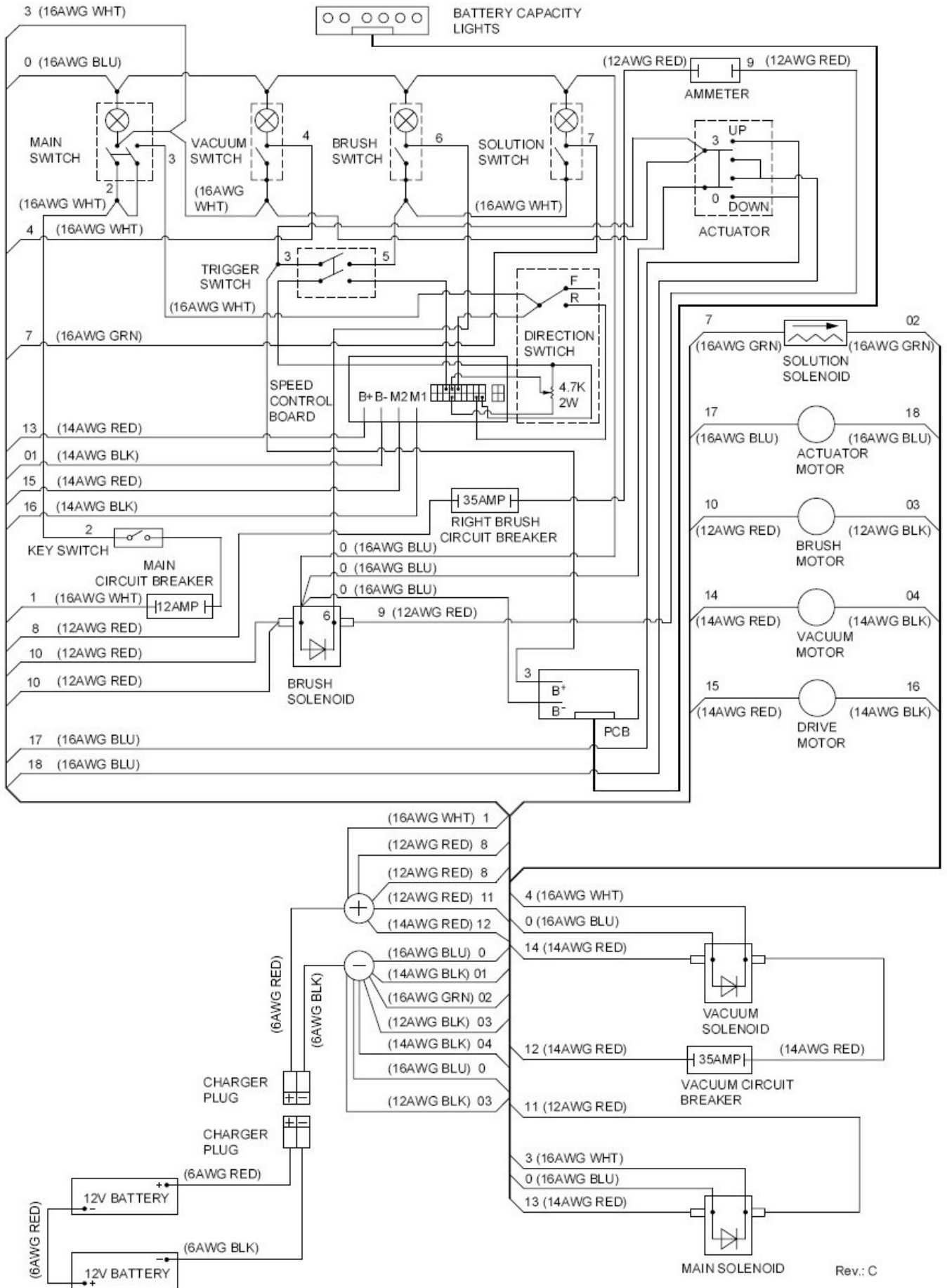
- Щетка
- Двигающий механизм подкладки

Для получения дополнительной информации о дополнительных принадлежностях, обратитесь к уполномоченному продавцу.

## ТЕХНИЧЕСКИЕ ДАННЫЕ

Модель		FANG 20HD-EU (1 держатель щетки/подкладки, с двигательной системой)
Высота машины	mm	990
Объем бака для раствора / чистой воды	l	61
Объем бака утилизации	l	61
Диаметр переднего колеса	mm	76
Диаметр заднего колеса	mm	200
Мощность двигателя вакуумной системы	W	400
Мощность двигателя двигательной	W	250
Скорость двигателя (переменная)	km/h	0 – 4.5
Способность преодолевать подъемы	%	2
Уровень звукового давления на рабочей	dB(A)	69
Стандартные аккумуляторы	Ah @ 20 h	2 x 12V/215AmP.hR
Нагрузочная способность схемы	mm H <sub>2</sub> O	1.397
Ширина очистки	mm	510
Ширина валика	mm	750
Максимальная длина машины	mm	1.350
Ширина машины без валика	mm	560
Диаметр щетки	mm	510
Вес без аккумуляторов и с пустыми	kg	107
Максимальный вес с аккумуляторами и	kg	181
Мощность двигателя щетки	W	560
Скорость щетки	rpm	200
Давление держателя щетки/подкладки	kg	UP TO91





## СХЕМА ПРОВОДКИ (FANG20HD-EU )

## СХЕМА ПРОВОДКИ(FANG20HD-EU)

Коды цветов

BLK	Черный
BLU	Голубой
GRU	Зеленый
RED	Красный
WHT	Белый

1	BATTERY CAPACITY LIGHTS	ИНДИКАТОРЫ БАТАРЕИ
2	MAIN SWITCH	ГЛАВНЫЙ ПЕРЕКЛЮЧАТЕЛЬ
3	VACUUM SWITCH	ВАКУУМНЫЙ ПЕРЕКЛЮЧАТЕЛЬ
4	BRUSH SWITCH	ПЕРЕКЛЮЧАТЕЛЬ ЩЕТКИ
5	SOLUTION SWITCH	ПЕРЕКЛЮЧАТЕЛЬ РАСТВОРА
6	AMMETER	АМПЕРМЕТР
7	ACTUATOR	ПРИВОД
8	TRIGGER SWITCH	ТРИГГЕР
9	SPEED CONTROL BOARD	ПАНЕЛЬ КОНТРОЛЯ СКОРОСТИ
10	DIRECTION SWITCH	ПЕРЕКЛЮЧАТЕЛЬ НАПРАВЛЕНИЯ
11	RIGHT BRUSH CIRCUIT BREAKER	ПЕРЕКЛЮЧАТЕЛЬ ПРАВОЙ ЩЕТКИ
12	KEY SWITCH	ВЫКЛЮЧАТЕЛЬ С КЛЮЧОМ
13	MAIN CIRCUIT BREAKER	ГЛАВНЫЙ ВЫКЛЮЧАТЕЛЬ
14	BRUSH SOLENOID	СОЛЕНОИД ЩЕТКИ
15	PCB	PCB
16	SOLUTION SOLENOID	СОЛЕНОИД РАСТВОРА
17	ACTUATOR MOTOR	ДВИГАТЕЛЬ ПРИВОДА
18	BRUSH MOTOR	ДВИГАТЕЛЬ ЩЕТКИ
19	VACUUM MOTOR	ВАКУУМНЫЙ ДВИГАТЕЛЬ
20	DRIVE MOTOR	ДВИГАТЕЛЬ
21	VACUUM SOLENOID	ВАКУУМНЫЙ СОЛЕНОИД
22	VACUUM CIRCUIT BREAKER	ВАКУУМНЫЙ ПЕРЕКЛЮЧАТЕЛЬ
23	MAIN SOLENIOD	ГЛАВНЫЙ СОЛЕНОИД
24	CHARGER PLUG	РАЗЪЕМ ЗАРЯДКИ
25	BATTERY	БАТАРЕЯ

## ЭКСПЛУАТАЦИЯ

### ПЕРЕД ЗАПУСКОМ МАШИНЫ



**ПРЕДУПРЕЖДЕНИЕ!**

На некоторых частях машины приклеены таблички с указанием:

- ОПАСНОСТЬ
- ПРЕДУПРЕЖДЕНИЕ
- ОСТОРОЖНО
- КОНСУЛЬТАЦИЯ

При чтении данной инструкции, оператор должен обратить особое внимание на символы, изображенные на табличках. Не закрывайте данные таблички по любой причине и не заменяйте их сразу же в случае повреждения.

### УСТАНОВКА АКУМУЛЯТОРОВ

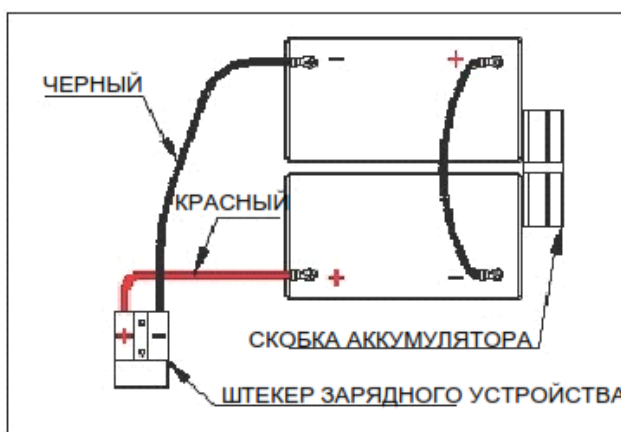


**ПРЕДУПРЕЖДЕНИЕ!**

Электрические компоненты машины могут быть серьезно повреждены, если аккумуляторы неправильно установлены или не подключены. Аккумуляторы должны быть установлены только квалифицированным персоналом.

- Установите функцию электронной платы и зарядного устройства (опционально) в зависимости от типа используемых аккумуляторов (WET или GEL).
- Проверьте наличие повреждений аккумуляторов перед установкой.
- Отсоедините разъем аккумулятора и разъем зарядного устройства.
- Аккуратно вставьте аккумуляторы
- Установите защитные колпачки клемм аккумулятора, поставляемые с машиной.

Требуются два аккумулятора 12В, связанные по следующей схеме:



Аккумуляторы не поставляются с машиной заводом, но покупатель может приобрести аккумуляторы ( WET или GEL).

- Купить соответствующие аккумуляторы (см. раздел Технические данные).
- При выборе и установке аккумуляторов, обращайтесь к квалифицированным дилерам.
- Настроить машину и зарядное устройство в зависимости от типа установленных аккумуляторов (WET или GEL), как показано в следующем пункте.

a) Когда аккумуляторы (WET или GEL) уже установлены и готовы к использованию

- Убедитесь, что аккумуляторы подключены к машине при помощи штекера зарядного устройства.
- Вставьте ключ зажигания (32) и поверните его в положение "Вкл".  
Если включилась зеленая сигнальная лампа (3), аккумуляторы готовы к использованию.  
Если включилась желтая или красная сигнальная лампа (3), аккумуляторы должны быть заряжены (см. процедуру в главе Техническое обслуживание).

b) Когда батареи (WET) установлены, но электролита нет

- Откройте крышку (31) и проверьте, что резервуар для воды (30) пуст, в противном случае, опустошите его с помощью сливочного шланга (11).
- Аккуратно приподнимите резервуар (30).

**ПРЕДУПРЕЖДЕНИЕ!**

Будьте внимательны при использовании серной кислоты, так как она является едким веществом. Если произошел контакт с кожей или глазами, тщательно промойте их водой и обратитесь к врачу. Аккумуляторы должны заполняться в хорошо проветриваемом помещении. Надевайте защитные перчатки.

- Наполните аккумулятор серной кислотой для аккумуляторов (плотность 1,27 до 1,29 кг при 25 ° C) в соответствии с инструкциями, приведенными в Руководстве по использованию аккумулятора. Правильное количество серной кислоты показано в Руководстве по использованию аккумулятора.
- Во избежание повреждения пола, вытрите насухо тканью и кислоту, и воду с верхней части аккумулятора после зарядки.
- Оставьте аккумулятор на некоторое время, чтобы он заполнился серной кислотой в соответствии с инструкциями, приведенными в Руководстве по использованию аккумулятора.
- Зарядка аккумулятора (см. процедуру в главе Техническое обслуживание).

**НАСТРОЙКА ЗАРЯДНОГО УСТРОЙСТВА**

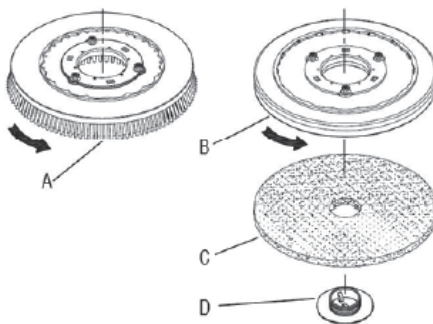
- Установка зарядного устройства по умолчанию - это общая заводская позиция для AGM, Gel, SLA, VRLA
- При необходимости используйте WET положение только для свинцовых аккумуляторов. Пожалуйста, свяжитесь с дилером.

**ПРОВЕРКИ ПЕРЕД ЭКСПЛУАТАЦИЕЙ**

- Очистите наружную поверхность машины
- Убедитесь, что напряжение машины соответствует напряжению местной сети.
- Убедитесь, что валик установлен правильно..
- Убедитесь, что щетка / подкладка установлены правильно.

**УСТАНОВКА ДВИГАЮЩЕГО МЕХАНИЗМА ПОДКЛАДКИ ИЛИ ЩЕТКИ**

- Убедитесь, что машина выключена.
- Опустите сборку щетки до пола, наступив на педаль и нажав педаль вперед.
- Наклоните машину назад, чтобы получить доступ к концентратору двигателя.

**ПРИМЕЧАНИЕ**

Снимите сборку валика до наклона машины назад. Это делает процесс быстрее и проще.

**ПРЕДУПРЕЖДЕНИЕ!**

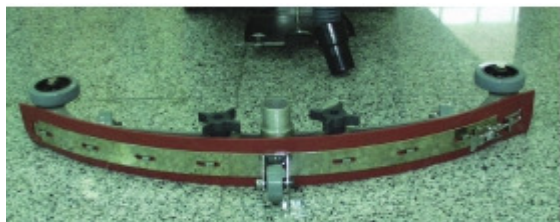
Не держите машину наклоненной назад в течение длительного времени. Это может привести к утечке аккумуляторной кислоты.

- При использовании двигателя механизма подкладки, сначала прикрепите необходимую подкладку к поверхности двигателя механизма.
- Установите двигатель механизм подкладки или щетки на концентратор двигателя, выстраивая в линию три шпильки с тремя отверстиями в концентраторе двигателя. При попадании в отверстие поверните механизм в сторону пружинного зажима, чтобы зафиксировать механизм на месте.

**УСТАНОВКА ВАЛИКА**

- Потяните за подъемный рычаг валика, чтобы поднять скобку валика вверх.

- Ослабьте две ручки на валике и сдвиньте валик в отверстие на задней скобке валика. (колесики на валике указывают назад) Затяните надежно ручки.



## ЗАПРАВКА БАКА РАСТВОРА

Fang 20HD-EC может наполняться в двух разных местах:

- Передняя зона заправки для использования со шлангом или ведром.
  - Задняя зона заправки для использования только со шлангом.
- Определите, какую зону заправки вы хотели бы использовать для заполнения машины водой.
  - Заполните бак раствора до 52 литров воды. (температура воды не должна превышать 40 ° C). Очистительная трубка в задней левой части машины имеет маркеры для определения уровня воды в баке раствора.

	<p><b>ПРИМЕЧАНИЕ</b></p> <p>Если вы заполняете бак раствора ведром, убедитесь, что ведро чистое. Это позволит предотвратить засорение мусором линий или соленоида.</p>
--	--

	<p><b>ПРЕДУПРЕЖДЕНИЕ!</b></p> <p>Не кладите легковоспламеняющиеся материалы в бак раствора. Это может привести к взрыву или пожару. Используйте только рекомендованные чистящие средства. Обратитесь к дистрибьютору по чистке для рекомендации по использованию правильных химических веществ.</p>
--	---

## ЗАПУСК И ОСТАНОВКА МАШИНЫ

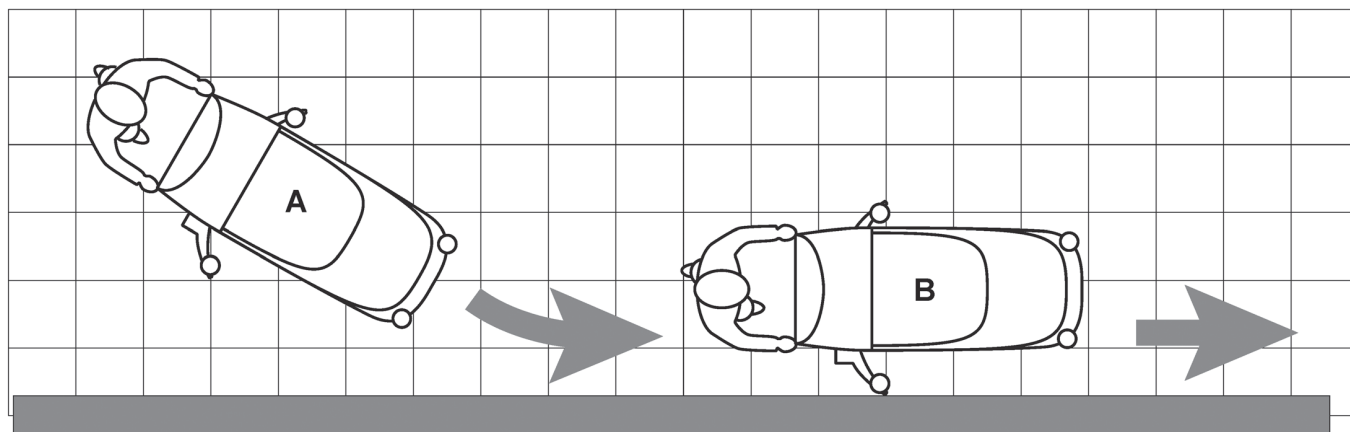
	<p><b>ПРЕДУПРЕЖДЕНИЕ!</b></p> <p>Не пользуйтесь машиной, если Вы не прочитали и не поняли данное руководство.</p>
--	---

- Установите корпус управления на удобной операционной высоте, сжимая вместе два рычага большими пальцами (16) непосредственно под корпусом.
- Опустите сборку щетки до пола, ослабив подъемный рычаг (19) с положения блокировки.
- Опустите главную сборку щетки до пола, повернув реле давления щетки (7) в положение ВКЛ.
- Поверните главный переключатель питания (1) в положение “ВКЛ”.
- Поверните переключатель двигателя щетки (4) в положение “ВКЛ”.
- Поверните вакуумный переключатель двигателя (2) в положение “ВКЛ”.
- Поверните переключатель раствора (6) в положение “ВКЛ”.
  - Раствор не потечет до тех пор, пока операционные защелки не будут сняты.
- Fang 20HD-EC является самоходным. Скоростью можно управлять с помощью ручки (9), расположенной на правой стороне корпуса блока управления.
- Fang 20HD-EC может двигаться в обратном направлении. Для того чтобы активировать обратное движение, используйте тумблер (18), расположенный на левой стороне корпуса блока управления.
- Чтобы начать очистку, потяните за одну или за обе красные операционные защелки (21). Когда защелки сняты, щетка начнет вращаться, и начнет течь раствор. FANG20HD-EC двигается самостоятельно. FANG20HD-EC начнет очистку путем перемещения машины вперед.

	<p><b>ПРЕДУПРЕЖДЕНИЕ!</b></p> <p>Не держите машину в одном и том же вращающемся положении подкладки / щетки, это может привести к повреждению пола.</p>
--	---

- Отрегулируйте количество раствора, поворачивая ручку управления раствором (8). При повороте направо будет выделяться больше раствора, при повороте налево меньше раствора.

	<p><b>ПРИМЕЧАНИЕ</b></p> <p>Для правильной очистки / сушки полов по бокам стены, Vireg предлагает идти около стены с правой стороны машины, как показано ниже.</p>
--	--



**ОСТОРОЖНО!**

Во избежание повреждения поверхности пола, выключите держатель щетки / подкладки, когда машина останавливается на одном месте, особенно, когда дополнительные функции давления включены.

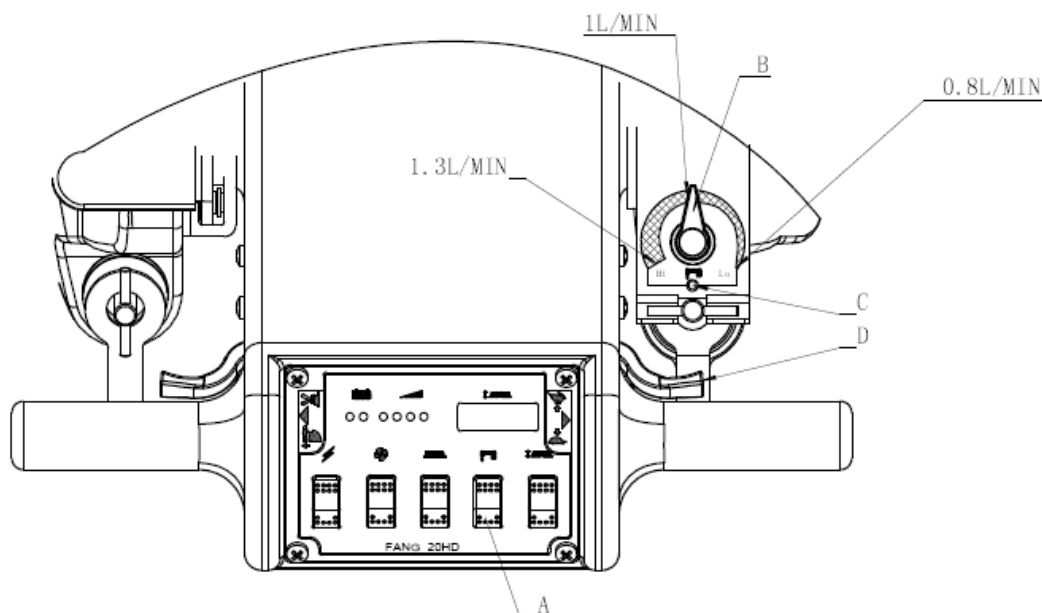
**РЕГУЛИРОВКА ПОДАЧИ РАСТВОРА**

- Поверните переключатель раствора (А) в положение “ВКЛ”.
- Отрегулируйте количество раствора, поворачивая ручку управления раствором (В), при повороте налево (против часовой стрелки) будет подаваться больше раствора, при повороте направо (по часовой стрелке) меньше раствора. Штифт (С) определяет предельное положение ручки управления раствором (В).



**ПРИМЕЧАНИЕ**

Даже если включить переключатель раствора (А), раствор не будет подаваться до тех пор, пока операционные защелки (D) не будут сняты.



**РАЗРЯДКА АККУМУЛЯТОРА ВО ВРЕМЯ ЭКСПЛУАТАЦИИ**

Аккумуляторы позволяют машине нормально функционировать до тех пор, пока горит зеленая сигнальная лампа (3).

Когда зеленая сигнальная лампа выключается (3), и загорается желтая сигнальная лампа (3), необходимо зарядить аккумуляторы, так, как остаточная автономия будет длиться в течение нескольких минут (в зависимости от характеристик аккумулятора и заданных работ).

Когда загорается красная сигнальная лампа (3), автономное функционирование заканчивается. После нескольких



секунд, держатель щетки/подкладки автоматически выключается, в то время как вакуумная система и система привода остаются включенными, чтобы закончить очистку пола и переместить машину в назначенную зону подзарядки.



**ОСТОРОЖНО!**

Не используйте машину с разряженными аккумуляторами, чтобы избежать повреждения аккумулятора и сокращения срока его службы.

**ВО ВРЕМЯ ЭКСПЛУАТАЦИИ МАШИНЫ**

- Периодически смотрите сквозь прозрачную крышку бака утилизации, чтобы убедиться, что образуется пена. Если вы обнаружили чрезмерное количество пены, добавьте пеногаситель для восстановления бака.



**ПРЕДУПРЕЖДЕНИЕ!**

Пена не должна попадать в плавающий запорный экран, иначе может возникнуть повреждение вакуумного двигателя. Пена мешает активизации плавающего запорного устройства.

- Периодически проверяйте очистительную трубку на задней левой части машины для проверки количества моющего раствора, которое осталось в машине.
- Периодически проверяйте уровень зарядки аккумулятора (3). Когда уровень горит красным, зарядите аккумулятор.



**ПРЕДУПРЕЖДЕНИЕ!**

Если уровень горит красным, не продолжайте эксплуатацию машины. Возможно повреждение аккумулятора

- Если сборка валика оставляет полосы на полу, поднимите валик с пола и протрите лезвия влажной тканью



**ПРЕДУПРЕЖДЕНИЕ!**

Не используйте ваши пальцы для очистки или удаления мусора из лопастей, это может привести к травме.

- Когда бак раствора работает пустым, выключите переключатель щетки, переключатель раствора и поднимите щетку вверх. Опустите валик вниз и продолжайте работу до тех пор, пока не соберется вся грязная вода. (см. Раздел ОЧИСТКА БАКА, чтобы узнать как чистить баки с раствором)



**ПРИМЕЧАНИЕ**

Двигатель щетки является предохранителем, защищающим ее от повреждений. Если данный предохранитель выключается, он не может мгновенно переустанавливаться. Прежде всего, необходимо определить, что вызвало прекращение работы, затем позволить двигателю остыть, прежде чем переустанавливать предохранитель.

**ОЧИСТКА БАКА**

- Выключите питание машины.
- С валиком и щеткой в положении “вверх”, переместите машину в заданную зону очистки бака(ов).

**ОЧИСТКА ОТХОДНОГО (ГРЯЗНОГО) БАКА**



**ПРИМЕЧАНИЕ**

Каждый раз, когда очистка завершена, или при заправке бака раствора, отходный бак необходимо сливать и чистить.



**ПРЕДУПРЕЖДЕНИЕ!**

Если отходный бак не сливается, в то время как бак раствора переполнен, пена или вода может попасть в плавающий запорный механизм и повредить вакуумный двигатель.

- Снимите сливной шланг из держателя и поместите дренажный шланг в сток в полу. Открутите пробку шланга, чтобы начать процесс осушения. Для того, чтобы полностью опорожнить бак утилизации, полностью откройте бак утилизации и пусть он опирается на стендовую опору.
- Очищайте бак утилизации после каждого использования. Используйте шланги со свежей водой при мытье бака утилизации. Будьте осторожны, не распыляйте воду на плавающий запорный механизм.

**ПРИМЕЧАНИЕ**

Если вы храните машину в течение любого периода времени, всегда оставляйте прозрачную крышку бака открытой, так чтобы бак мог полностью высохнуть и иметь свежий запах.

- Затяните плотно пробку шланга, как только вы осуществили дренаж бака.

**ОЧИСТКА РАСТВОРНОГО (ЧИСТОГО) БАКА****ПРИМЕЧАНИЕ**

Каждый раз, когда очистка завершена, растворный бак необходимо сливать и чистить.

- Потяните очистительную трубку (задняя левая часть машины), чтобы извлечь ее из заусенечного шланга. Это позволит раствору свободно стечь в ведро или в сток в полу.
- Промывайте бак раствора чистой водой после каждого использования. Это поможет предотвратить накопление химических веществ и засорение линий потока раствора.
- С чистой водой в баке раствора, включите питание машины, поверните переключатель раствора на положение "Вкл" и потяните операционные защелки. Это позволит чистой воде промыть все линии потока раствора.
- Как только бак будет промыт и высушен, подсоедините очистительную трубку к заусенечному шлангу. Убедитесь, что трубка вставлена напрямую в заусенечный шланг

**ЗАРЯДКА АККУМУЛЯТОРА****ПРИМЕЧАНИЕ**

Для лучшей производительности машины, держите аккумуляторы всегда заряженными. Не позволяйте им находиться в разряженном состоянии.

**ПРИМЕЧАНИЕ**

Если машина оснащена дополнительным зарядным устройством, машина не может работать, если данное зарядное устройство не находится в ней. В случае неисправности зарядного устройства, обратитесь в авторизованный сервисный центр.

**ОСТОРОЖНО!**

Используйте только зарядные устройства со следующими характеристиками:

- Автоматическое отключение цепи
- Глубокий цикл зарядки
- Выходной ток в 10-20 Ампер
- Выходное напряжение 24 Вольт

**ОСТОРОЖНО!**

Аккумуляторы опасны! Аккумуляторы выделяют водородный газ, что может привести к взрыву или пожару. Держите аккумуляторы подальше от искр и огня. Во время зарядки машины, убедитесь, что батарейный отсек остается открытым.



- Поместите зарядное устройство и машину в хорошо проветриваемое помещение.

- Выключите машину.
- Откройте отходный бак, найдите батарейный отсек .
- Проверьте уровень жидкости в каждом аккумуляторе. Не заряжайте аккумуляторы, если жидкость слегка покрывает пластины аккумуляторов. Не переполняйте аккумулятор. Перелив может привести к переполнению во время зарядки в связи с расширением. Замените крышки до зарядки.
- Подключите зарядное устройство к утвержденной заземленной розетке перед подключением зарядного устройства к машине.
- Подключите зарядное устройство к красному гнезду зарядного устройства, расположенному в передней левой части батарейного отсека.
- Поднимите вверх отходный бак и аккуратно опустите его до тех пор, пока он не окажется на стенде.
- Зарядное устройство автоматически начнет заряжать аккумуляторы, и автоматически отключится после полной зарядки аккумуляторов.
- По завершении зарядки, сначала отключите зарядное устройство от розетки, а затем отсоедините зарядное устройство от машины.
- Проверьте уровень заряда аккумулятора после окончания зарядки. Если уровень жидкости низкий, добавьте дистиллированной воды, чтобы поднять вверх уровень жидкости до нижней части боковых труб. Замените крышки и протрите аккумулятор полотенцем.

## ОБСЛУЖИВАНИЕ

Чтобы машина хорошо работала на протяжении многих лет, пожалуйста, следуйте следующим процедурам обслуживания.



### ОСТОРОЖНО!

Всегда убедитесь, что машина выключена и отсоединена от кабеля аккумулятора перед выполнением технического обслуживания или ремонта.

## ЕЖЕДНЕВНОЕ ОБСЛУЖИВАНИЕ

- Извлеките двигающий механизм подкладки / щетки и очистите при помощи одобренного очистителя .
- Полностью слейте отходный и растворный баки и промойте их чистой водой. Визуально проверьте отходный бак на наличие мусора и очистите по мере необходимости.
- Поднимите сборку валика с пола и вытрите влажным полотенцем. Обязательно храните валики в верхнем положении.
- Извлеките плавающую запорную сборку и промойте ее чистой водой.
- Очистите машину при помощи одобренного очистителя и влажного полотенца. Не распыляйте воду за пределы машины, чтобы избежать повреждения двигателя и проводки.
- Зарядите аккумуляторы.



## ЕЖЕНЕДЕЛЬНОЕ ОБСЛУЖИВАНИЕ

- Проверьте уровень жидкости в аккумуляторах.
- Проверьте аккумуляторы на наличие ослабленных или заржавевших кабелей.
- Проверяйте концы аккумуляторов на наличие коррозии.

## ЕЖЕМЕСЯЧНОЕ ОБСЛУЖИВАНИЕ

- Проверить машину на наличие утечек и свободных крепежей.
- Смажьте все точки смазки и опорные точки силиконовым спреем и одобренной смазкой.
- Поместите машину на сток в полу. Промойте систему раствора путем заливки 10 литров горячей воды и одобренного щелочного моющего средства в бак раствора и позвольте машине поработать (с включенным управлением раствора) в течение 45 секунд. Выключите машину и оставьте на ночь. На следующий день слейте остатки раствора и промойте бак раствора чистой водой.

## ОЧИСТКА ФИЛЬТРА ВАКУУМНОЙ ДВИГАТЕЛЬНОЙ СИСТЕМЫ

- Ведите машину на ровном полу.
- Поверните ключ зажигания (32) в положение “ВЫКЛ”.
- Откройте отходный водный бак.
- При необходимости слейте воду бака для того, чтобы сделать фильтр видимым.
- Убедитесь, что предварительный фильтр чист. При необходимости очистите его водой и сжатым воздухом, а затем установите его.
- Выполните действия пунктов 1, 2 и 3 в обратном порядке.

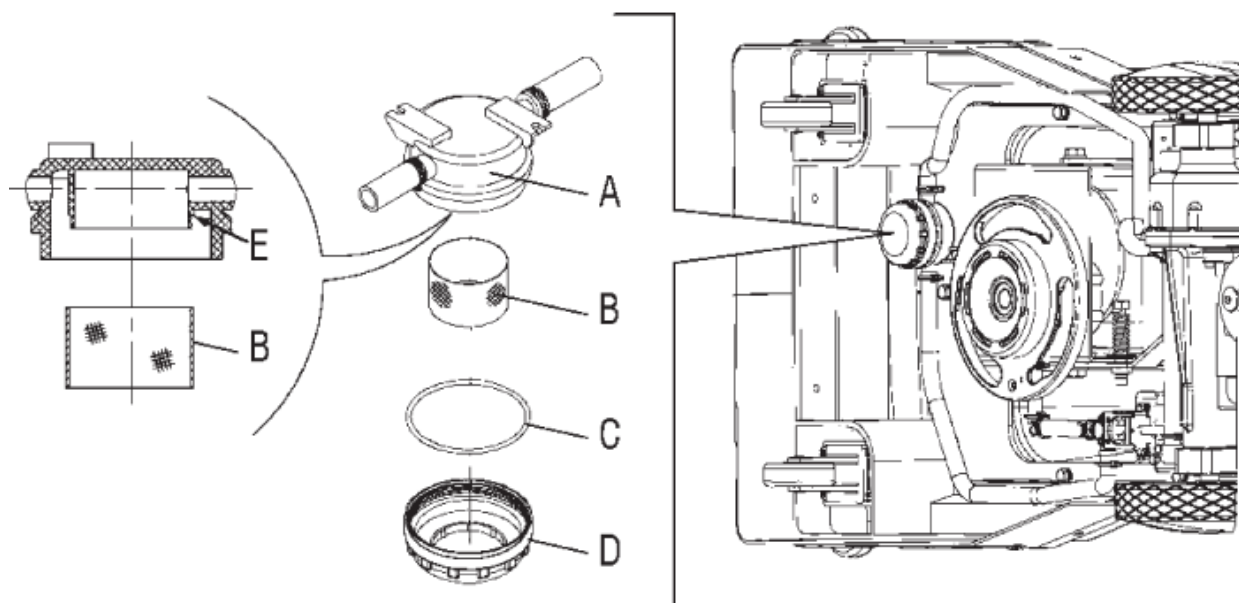
## ОЧИСТКА ФИЛЬТРА РАСТВОРА/ ЧИСТОЙ ВОДЫ

- Ведите машину на ровном полу.
- Поверните ключ зажигания (32) в положение “ВЫКЛ”.
- Снимите прозрачную крышку (D) (фильтр для воды находится под машиной), затем снимите сетчатый фильтр (B). Очистите и установите их на опору (A).



### ПРИМЕЧАНИЕ

Сетчатый фильтр (B) должен быть правильно установлен на корпусе (E) опоры (A).

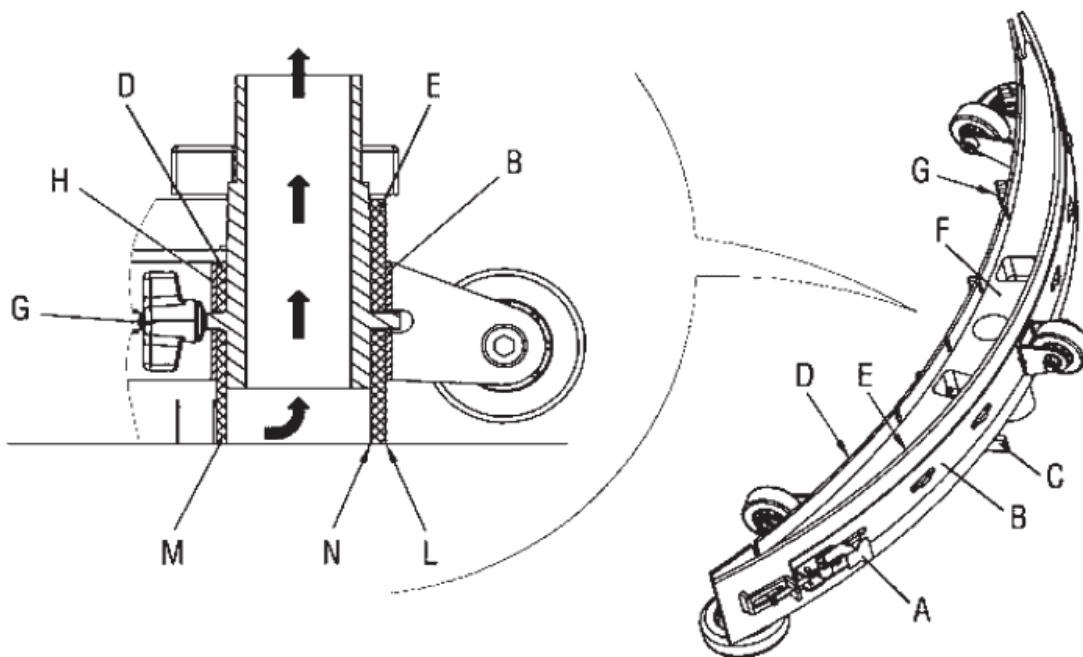


## ПРОВЕРКА И ЗАМЕНА ЛОПАСТЕЙ ВАЛИКА

- Очистите валик, как показано в предыдущем параграфе.
- Убедитесь, что край (M) переднего диска (D) и край (L) заднего диска (E) находятся на том же уровне, вдоль их длины, в противном случае отрегулируйте их высоту в соответствии со следующей процедурой:
  - Освободите фиксаторы (A) для регулировки заднего диска (E), а затем закрепите фиксаторы.
  - Ослабьте маховики (G) и установите передний диск (D), а затем затяните маховики.
- Проверьте передний диск (D) и задний диск (E) на наличие целостности, порезов и разрывов, при необходимости замените их, как показано ниже. Убедитесь, что передний угол (N) задней лопасти не изношен, в противном случае уберите лопасть и замените изношенный угол другим. Если другие углы также изношены, замените лопасть в соответствии со следующей процедурой:
  - Освободите фиксаторы (A) и снимите крепежную полосу (B), а затем замените / снимите заднюю лопасть (E). Установите лопасть в порядке, обратном снятию.
  - Отвинтите маховики (G) и снимите крепежную полосу (H), а затем замените передний диск (D). Установите лопасть в порядке, обратном снятию.

После замены лопастей (или снятия), отрегулируйте высоту, как показано в предыдущем действии.

- Подсоедините вакуумный шланг (33) к валику.
- Вставьте валик (13) и закрутите маховики (34).



### ОЧИСТКА ЩЕТКИ/ПОДКЛАДКИ



**ОСТОРОЖНО!**

Существует риск порезов.

Желательно надевать защитные перчатки при чистке щетки / подкладки, так как имеются острые края.


- Снимите щетку/подкладку с машины, как показано в главе Использование.
- Очистите и вымойте щетку / подкладку водой и моющим средством.
- Убедитесь, что щетка / подкладка является цельной, а не чрезмерно изношенной, в противном случае замените ее.

### УСТРАНЕНИЕ НЕИСПРАВНОСТЕЙ

ПРОБЛЕМА	ПРИЧИНА	РЕШЕНИЕ
Нет питания	Плохие аккумуляторы	Замените аккумуля
	Аккумуляторы следует зарядить	Зарядите аккумуляторы(см. Зарядка аккумуляторов)
	Ослаблен аккумуляторный кабель	Затяните ослабленный кабель(и)
	Аккумуляторы неверно подсоединены	Следуйте инструкциям установки аккумуляторов
Двигатель щетки не работает	Плохой переключатель щетки	Свяжитесь с дистрибьютором Viper
	Сработал предохранитель щетки	Проверьте двигатель щетки на наличие препятствий и сброса автоматического выключателя
	Перегорел диодный мост	Свяжитесь с дистрибьютором Viper
	Плохая проводка	Свяжитесь с дистрибьютором Viper
	Плохой двигатель щетки	Свяжитесь с дистрибьютором Viper
	Угольные щетки износились	Свяжитесь с дистрибьютором Viper
	Плохой соленоид	Свяжитесь с дистрибьютором Viper
Вакуумный двигатель не работает	Плохой вакуумный переключатель	Свяжитесь с дистрибьютором Viper
	Плохая проводка	Свяжитесь с дистрибьютором Viper
	Плохой вакуумный двигатель	Свяжитесь с дистрибьютором Viper
	Угольные щетки износились	Свяжитесь с дистрибьютором Viper

ПРОБЛЕМА	ПРИЧИНА	РЕШЕНИЕ
Короткое время работы	Аккумуляторы следует зарядить	Зарядите аккумуляторы(см. Зарядка аккумуляторов)
	Аккумуляторы нуждаются в обслуживании	См. Обслуживание аккумулятора в данном руководстве
	Плохой элемент электропитания в аккумуляторе (ах)	Замените аккумуляторы
	Плохое зарядное устройство	Замените зарядное устройство
Слабый или отсутствующий поток раствора	Плохой переключатель раствора	Свяжитесь с дистрибьютором Viper
	Засорен соленоид раствора	Свяжитесь с дистрибьютором Viper
	Засорен фильтр раствора	Извлеките фильтр и почистите его
	Существует препятствие в линии раствора	Извлеките линию раствора и почистите ее
	Необходимо отрегулировать рычаг регулировки потока раствора	Увеличьте поток, повернув рычаг управления раствором вправо. Уменьшите поток, повернув рычаг управления раствором влево вправо. слева.
Плохой забор воды	Валик засорился	Очистите мусор с валика влажным полотенцем
	Лопасты валика изношены	Вставьте новые лопасти валика
	Валик вставлен неверным образом	Убедитесь, что сборка валика надежно закреплена
	Вакуумные шланги порваны или ослаблены	Проверьте соединения шлангов и убедитесь, что они крепкие. Замените шланг, если он поврежден.
	Вакуумный шланг может быть засорен	Проверьте шланг на наличие мусора и удалите все засоры.
	Пробка дренажного шланга ослаблена	Затяните пробку дренажного шланга
	Аккумуляторы следует зарядить	Зарядите аккумуляторы(см. Зарядка аккумуляторов)
	Вакуумный двигатель ослаблен	Затяните крепежные винты вакуумного двигателя. Не затягивайте слишком сильно, или произойдет повреждение
	Крышка отходного бака ослаблена	Убедитесь, что прозрачная крышка бака утилизации надежно закреплена на месте..
	Входное отверстие бака утилизации засорено	Слейте бак утилизации и наклоните его в сторону. Проверьте входное отверстие на наличие мусора и удалите мусор.
	Бак утилизации полон	Слейте бак утилизации
	Плавающий запорный механизм засорен	Извлеките запорный механизм из бака и удалите мусор.

## ХРАНЕНИЕ

	<p><b>ОСТОРОЖНО!</b></p> <p>If you are storing the machine in an area which can freeze, be sure both tanks and the solution plumbing are empty of all water and dry! Если вы храните машину в зоне, которая может замерзнуть, убедитесь, что оба бака и сантехника для раствора пустые и сухие!</p>
---	---

- Храните прибор в сухом месте, защищенном от мороза.
- Температура хранения машины должна быть между 0 ° C и +40 ° C.
- Всегда храните машину в закрытом помещении.
- Всегда снимайте двигающийся механизм подкладки/щетки.
- Всегда храните машину со сборкой валика поднятыми с пола.



- При хранении в зоне, незащищено от мороза, не забудьте слить всю жидкость из машины перед хранением. Любой ущерб, причиненный морозом, не будет подпадать под гарантию.
- Слейте бак утилизации и снимите прозрачную крышку с верхней части бака, так чтобы он мог "дышать" во время хранения.
- Слейте бак для раствора.

## УТИЛИЗАЦИЯ ОЧИСТИТЕЛЯ

Старый очиститель немедленно становится непригодным:

- Извлеките аккумулятор.
- Не выбрасывайте электроприборы вместе с бытовыми отходами.



Как указано в Европейской директиве 2002/96/ЕС о старых электрических и электронных приборах, используемые электрические товары должны утилизироваться отдельно и экологически. Свяжитесь с вашим местным органом власти или с ближайшим дилером для получения дополнительной информации.

## СЪДЪРЖАНИЕ

<b>ВЪВЕДЕНИЕ</b> .....	<b>297</b>
ПРЕДНАЗНАЧЕНИЕ И СЪДЪРЖАНИЕ НА РЪКОВОДСТВОТО.....	297
ЦЕЛ .....	297
КАК ДА СЪХРАНЯВАТЕ РЪКОВОДСТВОТО.....	297
ДЕКЛАРАЦИЯ ЗА СЪОТВЕТСТВИЕ.....	297
ИДЕНТИФИКАЦИОННИ ДАННИ .....	297
ДРУГИ СПРАВОЧНИ МАТЕРИАЛИ.....	297
РЕЗЕРВНИ ЧАСТИ И ПОДДРЪЖКА.....	297
ИЗМЕНЕНИЯ И ПОДОБРЕНИЯ.....	297
ЦЕЛ И ПРЕДНАЗНАЧЕНИЕ .....	297
КОНВЕНЦИИ.....	298
<b>РАЗОПАКОВАНЕ/ДОСТАВКА</b> .....	<b>298</b>
<b>БЕЗОПАСНОСТ</b> .....	<b>298</b>
СИМВОЛИ, ОБОЗНАЧАВАЩИ СПЕЦИАЛНИ ИНСТРУКЦИИ.....	298
ОСНОВНИ ИНСТРУКЦИИ.....	299
<b>ОПИСАНИЕ НА УРЕДА</b> .....	<b>303</b>
УСТРОЙСТВО НА УРЕДА .....	303
ЕЛЕКТРИЧЕСКА СХЕМА (FANG20HD-EU) .....	306
<b>ЕКСПЛОАТАЦИЯ</b> .....	<b>307</b>
ПРЕДИ ДА ВКЛЮЧИТЕ УРЕДА .....	307
ПО ВРЕМЕ НА РАБОТА.....	311
<b>ПОДДРЪЖКА</b> .....	<b>313</b>
ЕЖЕДНЕВНА ПОДДРЪЖКА .....	313
ЕЖЕСЕДМИЧНА ПОДДРЪЖКА .....	313
ЕЖЕМЕСЕЧНА ПОДДРЪЖКА.....	313
ПОЧИСТВАНЕ НА ФИЛТЪРА НА ПРАХОСМУКАЧКАТА.....	313
ПОЧИСТВАНЕ НА ФИЛТЪРА ЗА РАЗТВОР/ЧИСТА ВОДА.....	313
ПРОВЕРКА И СМЯНА НА ГУМЕНИТЕ ЧИСТАЧКИ.....	314
ПОЧИСТВАНЕ НА ЧЕТКАТА/ПОДЛОЖКАТА.....	314
<b>ОТСТРАНЯВАНЕ НА НЕИЗПРАВНОСТИ</b> .....	<b>315</b>
<b>СЪХРАНЯВАНЕ</b> .....	<b>316</b>
<b>РЕЦИКЛИРАНЕ НА ПОДОЧИСТАЧКАТА</b> .....	<b>316</b>

**ВЪВЕДЕНИЕ****ВАЖНО**

Цифрите в скобите се отнасят към компонентите, показани в Описание на уреда.

**ПРЕДНАЗНАЧЕНИЕ И СЪДЪРЖАНИЕ НА РЪКОВОДСТВОТО**

Целта на това ръководство е да предостави на оператора цялата нужна информация, за да експлоатира уреда правилно, по безопасен и самостоятелен начин. То съдържа информация за техническите характеристики, инструкции за безопасност, експлоатация, съхранение, поддръжка, резервни части и бракуване. Преди да използвате уреда, операторът и техническите лица трябва да прочетат ръководството внимателно. Свържете се с Вайпър в случай, че имате въпроси относно тълкуването на инструкциите или за друга информация.

**ЦЕЛ**

Ръководството е предназначено за оператори и технически лица, които извършват дейности по поддръжката на уреда.

Операторите не бива да извършват дейности, запазени за квалифицираните техници. Вайпър не носи отговорност за щети, нанесени от неспазването на тази забрана.

**КАК ДА СЪХРАНЯВАТЕ РЪКОВОДСТВОТО**

Ръководството трябва да се съхранява в близост до уреда в подходящо калъфче, далеч от течности или други вещества, които могат да го увредят.

**ДЕКЛАРАЦИЯ ЗА СЪОТВЕТСТВИЕ**

Декларацията за съответствие, предоставена заедно с уреда, удостоверява, че уредът е в съответствие с разпоредбите на действащото законодателство.

**ВАЖНО**

Два екземпляра от оригиналната декларация за съответствие са предоставени с оригиналната документация на уреда.

Декларацията е включена в Ръководството за бърз старт.

**ИДЕНТИФИКАЦИОННИ ДАННИ**

Моделът на уреда и серийния номер са отбелязани на стикер. Тази информация е полезна при поръчката на резервни части. Използвайте следната таблица, за да попълните идентификационните данни на уреда.

Модел на уреда.....
Сериен номер.....

**ДРУГИ СПРАВОЧНИ МАТЕРИАЛИ**

- Сервизно ръководство (можете да го получите в Сервизните центрове на Вайпър)
- Списък с резервните части (виж [www.vipercleaning.eu](http://www.vipercleaning.eu))

**РЕЗЕРВНИ ЧАСТИ И ПОДДРЪЖКА**

Всички необходими дейности за експлоатация, поддръжка и ремонт трябва да бъдат извършвани от квалифициран персонал в Сервизните Центрове на Вайпър. Трябва да се използват само оригинални резервни части и аксесоари. Обърнете се към сервизите на Вайпър за поръчка на резервни части и аксесоари, като уточните модела и серийния номер.

**ИЗМЕНЕНИЯ И ПОДОБРЕНИЯ**

Вайпър се стреми постоянно да подобрява качеството на своите продукти и си запазва правото да внася промени и подобрения по своя преценка, без да се задължава да прилага същите подобрения машини, които са били предварително продадени.

Всяко изменение и/или добавяне на аксесоари трябва да бъде предварително одобрено и извършено от Вайпър.

**ЦЕЛ И ПРЕДНАЗНАЧЕНИЕ**

Всички автоматични почистващи уреди са предназначени изключително за мокро почистване на водоустойчиви настилки в затворени помещения.

Автоматичните почистващи уреди не са приложими за мокети и килими.

Уредът е подходящ за търговска употреба, например в хотели, училища, болници, фабрики, магазини, офиси и отдаване под наем фирми.

Всяко друго приложение се счита нецелесъобразно. Производителят не поема гаранция за щети, нанесени поради такава употреба. Отговорността за такава ползване се поема изцяло от потребителя.

Правилното ползване включва и правилна експлоатация, поддръжка и ремонт, както е посочено от производителя.

Промени по уреда, извършени от самите потребители, освобождават производителя от отговорност за каквито и да било щети в следствие на това.

Подовите настилки следва да бъдат проверени и да се прецени дали са подходящи за този вид почистване, преди да се ползва машината.

Обърнете внимание на налягането върху повърхността в случай на еластични подови покрития, например в спортни зали!

Производителят не поема отговорност за щети по уреда или върху почистената подовата настилка, причинени от използването на неподходящи четки и почистващи препарати.

## КОНВЕНЦИИ

Посоките напред, назад, отпред, отзад, наляво и надясно се считат спрямо позицията на оператора, т.е работната позиция.

## РАЗОПАКОВАНЕ/ДОСТАВКА

За да разопаковате уреда, следвайте инструкциите на опаковката.

При доставката на уреда, проверете дали опаковката или уредът не са пострадали по време на транспортирането. В случай на видими щети, запазете опаковката и съобщете на доставчика. Незабавно се свържете с доставчика и подайте рекламация.

Проверете съдържанието на пакета, за да се уверите, че следните компоненти са на разположение:


- уред
- гумени накрайници
- водач за четката (водач за подложката)


## БЕЗОПАСНОСТ

Следните символи предупреждават за потенциално опасни ситуации. Прочетете информацията внимателно и вземете всички необходими мерки за предаване на хора и имущество.

Сътрудничеството на оператора е от съществено значение, за да се предотврати нараняване. Мерките за сигурност не са ефективни без безусловното в сътрудничество на персонала, отговорен за експлоатацията на уреда. Повечето произшествия, които възникват по време на работа или движение, се причиняват от несъобразяване с най-простите правила за предпазливост. Внимателен и предпазлив оператор е най-добрата гаранция срещу инциденти и е от изключително значение за успешното прилагане на всяка една програма за безопасност.

## СИМВОЛИ, ОБОЗНАЧАВАЩИ СПЕЦИАЛНИ ИНСТРУКЦИИ

	<p><b>ОПАСНОСТ!</b></p> <p>Опасност, която води до сериозни и необратими наранявания или смърт.</p>
---	---

	<p><b>ВНИМАНИЕ!</b></p> <p>Опасност, която може да доведе до сериозни наранявания или смърт.</p>
---	--

**ВНИМАНИЕ!**

Опасност, която може да доведе до дребни щети или наранявания.

**ВАЖНО**

Показва забележка, свързани с важни или полезни функции.

**ОСНОВНИ ИНСТРУКЦИИ**

Специални предупреждения и предпазни мерки, целящи да информират за потенциалните щети върху хора и машини, са показани по-долу.

Уредът трябва

- да е използва само от хора, които са получили инструктаж за правилната експлоатация, на които изрично е възложено използването му
- да се използва само под надзор
- да не се използва от деца

Работното място е зад подочистачката.

Не използвайте никакви опасни техники на работа.

Винаги придвижвайте подочистачката, като я придържате с две ръце.

Когато машината е неподвижна, изключете четката, за да предотвратите увреждане на подовата настилка.

Изключете уреда и дръпнете щепсела на батерията в следните случаи:

- Преди почистване и сервизиране
- Преди смяна на компоненти
- Преди смяна на уреда

Използването на прахосмукачката е предмет на действащите национални разпоредби. Освен инструкциите за експлоатация и съблюдаването на стъпките за предотвратяване на произшествия, валидни в страната на употреба, спазвайте всеобщо признати правила за безопасна и правилна работа.

**ТРАНСПОРТИРАНЕ**

При транспортиране на подочистачката в асансьори

- Спазвайте настоящите правила за безопасност, по-специално по отношение на товароподемност.

**ЕКСПЛОАТАЦИЯ**

С цел да предотвратите неотозирано ползване на уреда, той трябва да се изключи или блокира, например като се махне ключето за захранването.

Вземете всички предпазни мерки, за да не попаднат коса, бижута или дрехи в движещите се части на машината.

Преди използване на машината, затворете всички врати и/или капаци.

Температурата за работа на машината трябва да бъде между 0°C и +40°C.

Влажността трябва да бъде между 30% и 95%.

Не използвайте машината като средство за транспорт.

Ако възникне пожар, използвайте прахов пожарогасител, а не воден

Не променяйте нищо по обезопасителните средства на машината и следвайте стриктно стандартните инструкции за поддръжка.

Не позволявайте на нищо да попадне в отворите. Не използвайте машината, когато отворите са задръстени. Винаги поддържайте отворите чисти от прах, косми или други предмети, които биха могли да ограничат въздушния поток.

Не отстранявайте и не променяйте табелите, прикрепени към машината.

Ако машината се ползва според инструкциите, вибрациите не са опасни. Нивото на вибрации на машината е под 2.5 м/с<sup>2</sup> (98/37/ЕЕС-EN 1033/1995).

Нивото на вибрации в ръцете на оператора е много под 2.5 м/с<sup>2</sup> (измерено според ISO 5349), което е максимумът за 8 часа непрекъснатата експлоатация.

Машината не може да бъде използвана на пътища или обществени улици.

Уредите Вайпър могат да се ползват заедно с препарати, които не разяждат повърхностите на машината (да не се използват разтворители или други агресивни течности). Вайпър няма да покрие рекламации, причинени от употребата на агресивни препарати с уредите. Ако се нуждаете от специален препарат за почистване, моля свържете се с представителя на Вайпър.

Внимавайте докато транспортирате машината при температури под нулата. Водата в контейнера или в маркучите може да замръзне и сериозно да увреди машината.

## **ПОДДРЪЖКА**

За да осигурите правилната и безопасна работа на уреда, трябва да предвидите периодична поддръжка, както е указано в съответната глава на ръководството, която да се извършва от квалифициран персонал или в оторизиран Сервизен Център на Вайпър.

Внимателно прочетете инструкциите, преди да извършвате процедурата по поддръжка/ремонт.

Не работете под повдигнатата машина, без да тя да е на подходящ стенд.

Не мийте машината с водна струя под налягане или с корозивни вещества.

## **ГАРАНЦИЯ**

Нашите общи условия са приложими с оглед на гаранцията.

Неоторизираните промени по уреда, използването на неподходящи четки и почистващи препарати, както и използването на уреда по начин, различен от основното му предназначение, освобождават производителя от каквато и да е отговорност за вредите.


## **ПРОВЕРКИ И ОДОБРЕНИЕ**


Електрическите тестове трябва да се извършват в съответствие с разпоредбите на изисквания за безопасност (BGV A3) и DIN VDE 0701 част 1 и част 3.

В съответствие с DIN VDE 0702 тези тестове трябва да се извършват на периодично, както и след ремонт или модификации.


## **ЕЛЕКТРИЧЕСКИ КОМПОНЕНТИ**



	<p><b>ОПАСНОСТ</b></p> <p>Батерии</p> <p>Риск от експлозия.</p> <ul style="list-style-type: none"> <li>➤ Зареждането на батерията произвежда силно експлозивен водороден газ. Оставете контейнер чето отворено докато батерията се зарежа и предвидете добре проветрени помещения далеч от открит огън за извършването на тази процедура .</li> <li>➤ За да се намали риска от пожар, токов удар или нараняване, не оставяйте машината без надзор, когато е включена. Преди да извършвате каквито и да било процедури по поддръжката, изключете кабела на зарядното устройство на батерията от електрическата мрежа.</li> <li>➤ Не пушете в близост до уреда, докато батерията се зарежда.</li> <li>➤ Използването на неоригинални резервни части, аксесоари, батерии и зарядни устройства може да навреди на безопасността на уреда. Използвайте само резервни части и аксесоари от Вайпър, както и батерии и зарядни устройства, препоръчани от ВАЙПЪР. При използването на несертифицирани и неепоръчани батерии и зарядни устройства, ВАЙПЪР няма да покрие разходите по щети, причинени от това.</li> </ul>
---	--

	<p><b>ВНИМАНИЕ</b></p> <p>Зарядно устройство.</p> <p>Токов удар подари грешно свързване с електрическата мрежа или кабела на зарядното устройство. Докосването на повреден захранващ кабел или кабел на зарядното устройство може да доведе до сериозни или дори фатални наранявания.</p> <ul style="list-style-type: none"> <li>➤ Пазете батерията далеч от искри, пламъци и нагорещен материал. Взривоопасни газове се отделят по време на работа.</li> <li>➤ Преди да използвате зарядното устройство, уверете се, че стойностите на честотата и напрежението, посочени в стикера със серийния номер на машината съответстват на електрическото напрежение на мрежата.</li> <li>➤ Не повреждайте захранващия кабел (като го настъпвате, дърпате или прегъвате).</li> <li>➤ Редовно проверявайте дали захранващият кабел е повреден или показва признаци на стареене.</li> <li>➤ Преди да използвате уреда отново, повреденият кабел трябва да бъде сменен от представител на Вайпър или квалифициран техник.</li> <li>➤ Не дърпайте и не влачете машината за кабела на зарядното устройство на батерията и никога не използвайте кабела като дръжка.</li> </ul> <p>Не прещипвайте кабела на зарядното устройство на батерията с врати и не дърпайте кабела на зарядното устройство на батерията около остри ръбове и ъгли.</p> <ul style="list-style-type: none"> <li>➤ Пазете кабела на зарядното устройство на батерията далеч от горещи повърхности.</li> <li>➤ Не зареждайте батериите, ако кабела на зарядното устройство или щепсела са повредени. Ако уредът не работи, както би трябвало, ако е повреден, оставен на открито или потопен във вода, занесете го в Сервизния Център..</li> </ul>
---	---

## СТЪЛБИ И НАКЛОНИ

	<p><b>ВНИМАНИЕ</b></p> <p>Опасност от преобръщане и хлъзгане по стълби и наклони.</p> <p>При придвижването по стълби и наклони, има риск от телесни повреди и имуществени щети.</p> <ul style="list-style-type: none"> <li>➤ Не придвижвайте по стъпала.</li> <li>➤ Използвайте уреда само върху равна повърхност с максимален наклон от 2%.</li> </ul>
---	---

## ПОДОВИ НАСТИЛКИ

**ВНИМАНИЕ**

Повреда на чувствителни подови настилки.

Особено чувствителни подови настилки могат да бъдат повредени от почистване.

- Преди да използвате подочистачката, проверете дали подовите настилки са подходящи този вид почистване.
- Бъдете внимателни с налягането върху еластични подови настилки, например спортни зали.
- Използвайте само препарати, одобрени от Вайпър.

**ОПАСНИ ЗА ЗДРАВЕТО ВЕЩЕСТВА****ВНИМАНИЕ**

Опасни за здравето вещества в подовите настилки.

Подовите настилки, могат да съдържат вещества, които са опасни за здравето, които се разтварят при почистване.

- Не почиствайте подови настилки, при които прах или течност, опасни за здравето, биха могли да се разтворят.

**РИСК ОТ ЕКСПЛОЗИЯ****ВНИМАНИЕ**

Запалими и избухливи вещества.

Опасност от експлозия в експлозивна атмосфера или места, в които се съхраняват запалими и взривоопасни материали.

- Не работете с машината в близост до опасни, лесно запалими и / или взривоопасни прахове, течности или пари.

**РЕЗЕРВНИ ЧАСТИ И АКСЕСОАРИ****ВНИМАНИЕ**

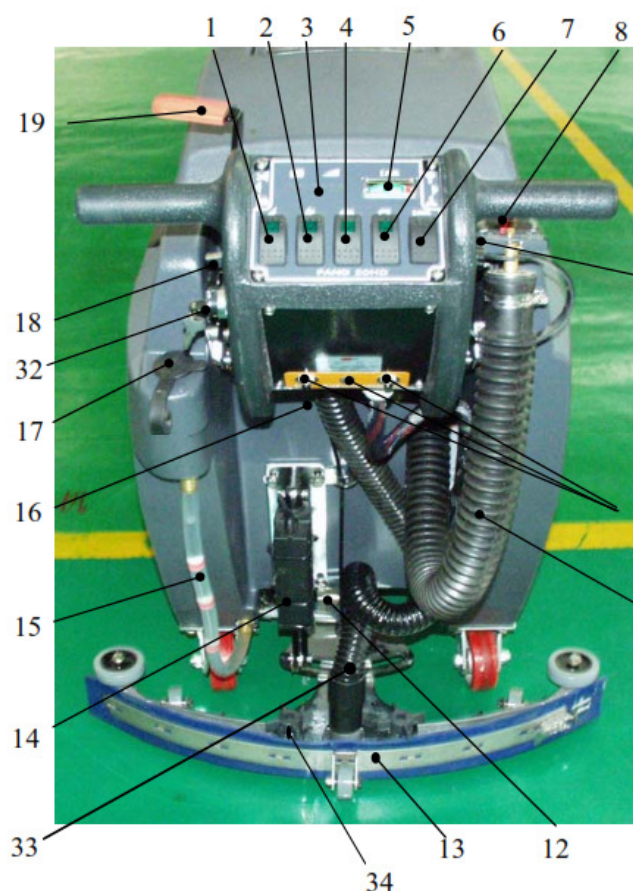
Неоригинални компоненти и неподходящи препарати.

Използването на неоригинални части и неподходящи препарати може да навреди на безопасността на уреда и да доведе до повреда.

- Използвайте само резервни части и аксесоари от Вайпър.
- Използвайте само аксесоари и почистващи препарати, предоставени с уреда или такива, които са посочени в инструкциите за работа.

## ОПИСАНИЕ НА УРЕДА

## УСТРОЙСТВО НА УРЕДА



- |   |  |
|---|--|
| 1. Главен бутон за ВКЛЮЧВАНЕ/ИЗКЛЮЧВАНЕ                 | 16. Лостове за регулиране на конзолата     |
| 2. Бутон за ВКЛЮЧВАНЕ/ИЗКЛЮЧВАНЕ на прахосмукачката     | 17. Пробка за пълнене на задния резервоар  |
| 3. Индикатор за ниво на батерията                       | 18. Ключ за движение назад                 |
| 4. Бутон за ВКЛЮЧВАНЕ/ИЗКЛЮЧВАНЕ на четката             | 19. Лост за повдигане на гумения накрайник |
| 5. Индикатор за налягането на четката                   | 20. Контролен корпус                       |
| 6. Бутон за ВКЛЮЧВАНЕ/ИЗКЛЮЧВАНЕ на почистващия разтвор | 21. Бързи бутони                           |
| 7. Бутон за УВЕЛИЧАВАНЕ/НАМАЛЯВАНЕ на налягането        | 22. Резервоар за почистващия разтвор       |
| 8. Ключе за контрол на почистващия разтвор              | 23. Задни колела                           |
| 9. Лост за управление на скоростта                      | 24. Транспортни колела                     |
| 10. Прекъсвач на захранването                           | 25. Почистваща глава                       |
| 11. Маркуч за източване на контейнера за мръсна вода    | 26. Престилка на почистващата глава        |
| 12. Гайка и вал за регулиране на гумените накрайници    | 27. Плъзгач за корпуса на престилката      |
| 13. Гумени накрайници                                   | 28. Защитни ролки                          |
| 14. Задвижващ механизъм на почистващата глава           | 29. Пробка за пълнене на предния резервоар |
| 15. Индикатор за нивото на разтвора в резервоара        | 30. Контейнер за мръсна вода               |
|   | 31. Капак на контейнера за мръсна вода     |
|   | 32. Ключе за захранването                  |
|   | 33. гумен маркуч за прахосмукачката        |
|   | 34. Дръжка за гумения накрайник            |

Дръжка за гумения накрайник

## АКСЕСОАРИ/ПРИСТАВКИ

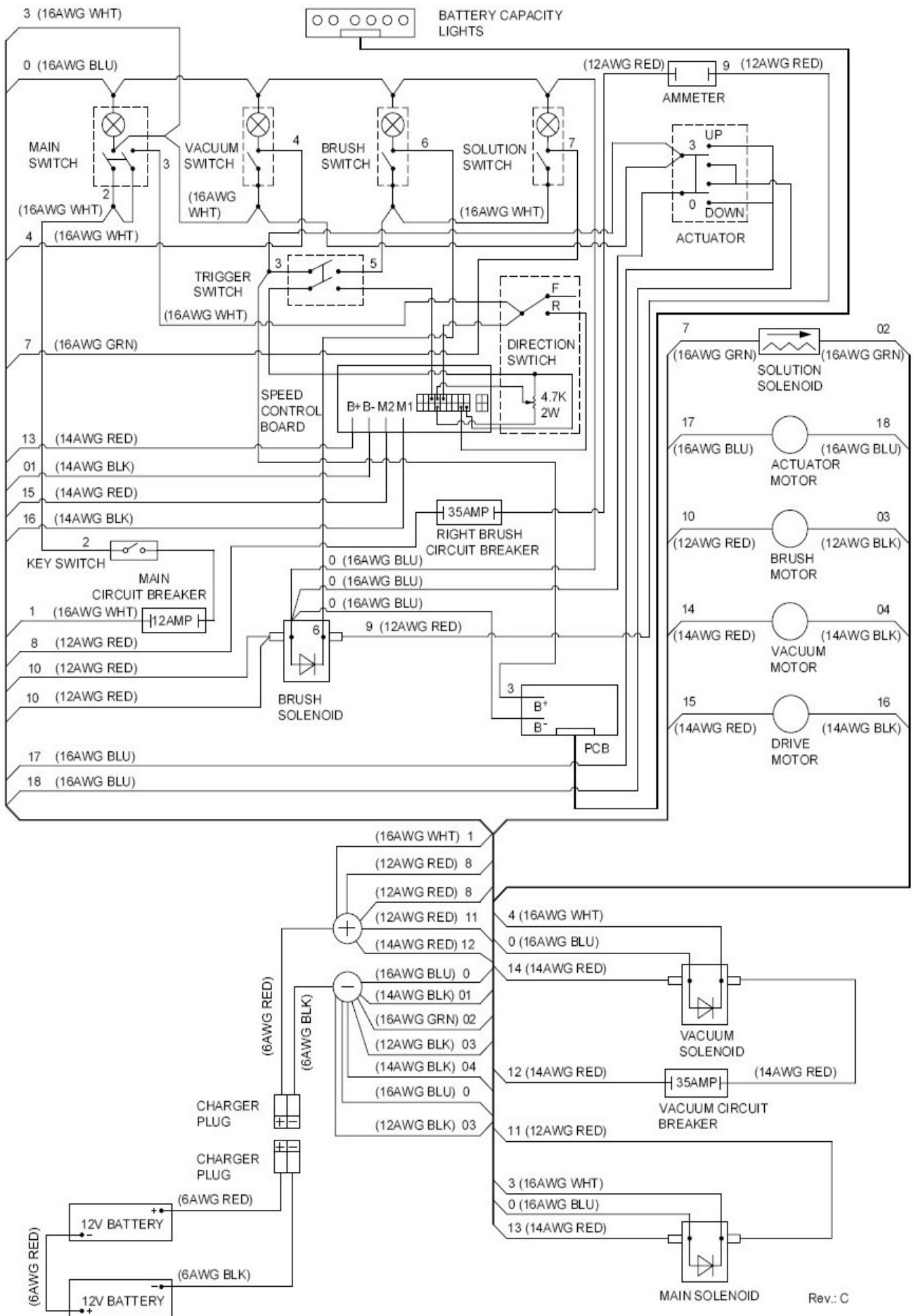
В допълнение към стандартните приставки, уредът може да бъде оборудван със следните аксесоари/накрайници, според специфичните функции:

- Четка
- Водач за подложката

За допълнителна информация относно предлаганите аксесоари, свържете се с упълномощен търговец

## ТЕХНИЧЕСКИ ХАРАКТЕРИСТИКИ

Модел		FANG 20HD-EU (1 водач на четката/подложката, със система за задвижване)
Височина на машината	mm	990
Вместимост на резервоара за	l	61
Вместимост на контейнера за мръсна	l	61
Диаметър на предното колело	mm	76
Диаметър на задното колело	mm	200
Мощност на прахосмукачката	W	400
Мощност на задвижващата система	W	250
Скорост (варира)	km/h	0 – 4.5
Наклон	%	2
Ниво на звуково налягане в работна	dB(A)	69
Батерии	Ah @ 20 h	2 x 12V/215AmP.hR
Капацитет на прахосмукачката	mm H <sub>2</sub> O	1.397
Широчина на почистване	mm	510
Широчина на гумения накрайник	mm	750
Максимална дължина на машината	mm	1.350
Широчина на машината без гумения	mm	560
Диаметър на четката	mm	510
Тегло без батерията и с празни	kg	107
Максимално тегло с батерията и с пълни	kg	181
Мощност на мотора на четката	W	560
Скорост на четката	rpm	200
Налягане на водача на четката/подложката	kg	UP TO91





## ЕЛЕКТРИЧЕСКА СХЕМА (FANG20HD-EU )

ЕЛЕКТРИЧЕСКА СХЕМА (FANG20HD-EU)

Цветни кодове


BLK	Черно
BLU	Синьо
GRU	Зелено
RED	Червено
WHT	Бяло

1	BATTERY CAPACITY LIGHTS	СВЕТЛИННИ ИНДИКАТОРИ ЗА КАПАЦИТЕТА НА
2	MAIN SWITCH	ЦЕНТРАЛЕН БУТОН
3	VACUUM SWITCH	БУТОН ПРАХОСМУКАЧКА
4	BRUSH SWITCH	БУТОН ЧЕТКА
5	SOLUTION SWITCH	БУТОН ПОЧИСТВАЩ РАЗТВОР
6	AMMETER	АМПЕРМЕТЪР
7	ACTUATOR	ЗАДВИЖВАЩ МЕХАНИЗЪМ
8	TRIGGER SWITCH	БЪРЗИ БУТОНИ
9	SPEED CONTROL BOARD	ПАНЕЛ ЗА УПРАВЛЕНИЕ НА СКОРОСТТА
10	DIRECTION SWITCH	БУТОН ПОСОКА
11	RIGHT BRUSH CIRCUIT BREAKER	ПРЕКЪСВАЧ ДЯСНА ЧЕТКА
12	KEY SWITCH	КЛЮЧ ЗАХРАНВАНЕ
13	MAIN CIRCUIT BREAKER	ГЛАВЕН ПРЕКЪСВАЧ
14	BRUSH SOLENOID	СОЛЕНОИД ЧЕТКА
15	PCB	ПАНЕЛ УПРАВЛЕНИЕ
16	SOLUTION SOLENOID	СОЛЕНОИД ПОЧИСТВАЩ РАЗТВОР
17	ACTUATOR MOTOR	МОТОР ЗАДВИЖВАЩ МЕХАНИЗЪМ
18	BRUSH MOTOR	МОТОР ЧЕТКА
19	VACUUM MOTOR	МОТОР ПРАХОСМУКАЧКА
20	DRIVE MOTOR	МОТОР ЗАДВИЖВАНЕ
21	VACUUM SOLENOID	СОЛЕНОИД ПРАХОСМУКАЧКА
22	VACUUM CIRCUIT BREAKER	ПРЕКЪСВАЧ ПРАХОСМУКАЧКА
23	MAIN SOLENIOD	ГЛАВЕН СОЛЕНОИД
24	CHARGER PLUG	ЩЕПСЕЛ ЗАРЯДНО УСТРОЙСТВО
25	BATTERY	БАТЕРИЯ




## ЕКСПЛОАТАЦИЯ

### ПРЕДИ ДА ВКЛЮЧИТЕ УРЕДА

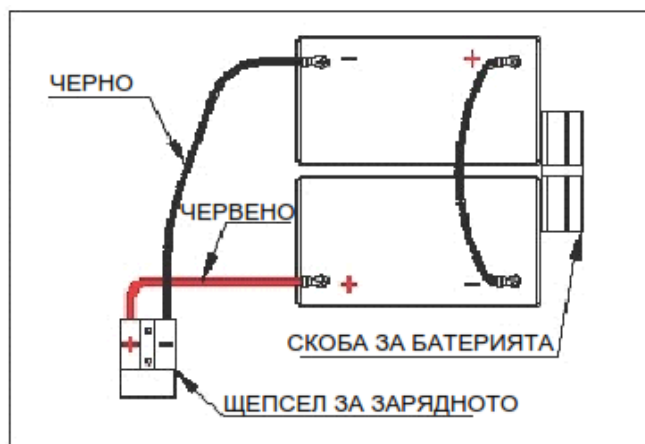
	<p><b>ВНИМАНИЕ!</b>          Върху машината има няколко стикера с надписи:          ОПАСНОСТ          ВНИМАНИЕ!          ВНИМАНИЕ!          КОНСУЛТАЦИЯ</p>
---	---

Докато четете това Ръководство, операторът трябва да обърне внимание на символите върху стикерите. В никакъв случай не покривайте стикерите и ги подменете, в случай че се повредят.

### ПОСТАВЯНЕ НА БАТЕРИЯТА

	<p><b>ВНИМАНИЕ!</b>          Електрическите компоненти на уреда могат да се повредят сериозно ако батериите са поставени или свързани неправилно. Батериите трябва да се поставят единствено от квалифицирани техници.</p> <ul style="list-style-type: none"> <li>➤ Поставете електронното табло и зарядното за батерията (опционално) според вида на батериите (с течност или гел).</li> <li>➤ Проверете дали батерията е в изправност преди да я поставите.</li> <li>➤ Изключете клемата на батерията и щепсела на зарядното устройство.</li> <li>➤ Боравете с батерията в повишено внимание.</li> <li>➤ Поставете защитните капачки на батерията, предоставени с уреда.</li> </ul>
---	---

Уредът изисква две батерии по 12 V, свързани според схемата по-долу:



Машината излиза от фабриката без батерии, но потребителят може да закупи такива (с течност или гел).

- Купете подходящи батерии (вижте Технически характеристики).
  - За избора на батерия и поставянето и, обърнете се към специализиран дистрибутор.
  - Поставете машината и зарядното устройство според типа батерия (с течност или гел), както е указано в следващия параграф.
- а) Когато батериите (с течност или гел) са поставени и готови за ползване
- Проверете дали батериите са свързани с уреда чрез щепсела на зарядното устройство.
  - Пъхнете ключа за запалване (32) и го завъртете.  
 Ако зеленият светлинен индикатор (3) светне, батериите са готови за ползване.  
 Ако светлинен индикатор светне в жълто или червено, батерията трябва да се зареди (вижте стъпките в Поддръжка).
- б) Когато батериите (с течност) са поставени, но липсва електролитна течност
- Отворете капачето (31) и се уверете, че резервният контейнер (30) е празен, ако не е - изпразнете го от източващия маркуч (11).
  - Внимателно повдигнете резервоара (30).

**ВНИМАНИЕ!**

Обърнете внимание, че сярната киселина разяжда. Ако попадне в очите или върху кожата, изплакнете с вода и се обърнете към лекар.

Батериите трябва да се напълнят в добре проветрено помещение. Носете защитни ръкавици.

- Напълнете клетките на батерията със сярна киселина за батерии (плътност 1.27 до 1.29 kg на 25°C) според указанията в Ръководството за батериите. Нужното количество сярна киселина е отбелязано в Ръководството за батериите.
- За не повредите подовата настилка, подсушете с кърпа външната част на батериите след като ги напълните.
- Оставете батериите и напълнете със сярна киселина според указанията в в Ръководството за батериите.
- Заредете батериите (виж "Поддръжка").

**ПОСТАВЯНЕ НА ЗАРЯДНОТО УСТРОЙСТВО**

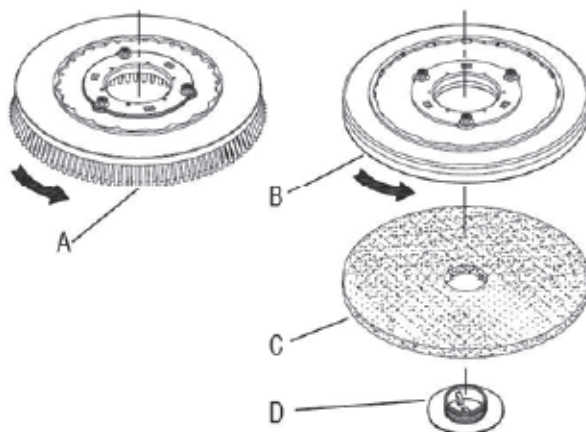
- Позицията на зарядното устройство по подразбиране е подходяща за батерии тип AGM, Gel, SLA, VRLA
- Ако има нужда, използвайте позицията "с течност" само за оловни батерии. Моля, свържете се с представителя.

**ПРЕДИ ДА ВКЛЮЧИТЕ**

- Почистете уреда отвън.
- Уверете се, че напрежението на машината съответства на напрежението на електрическата мрежа.
- Проверете дали гумения накрайник е правилно поставен.
- Проверете дали четката/подложката е правилно поставена..

**ПОСТАВЯНЕ НА ВОДАЧА ЗА ПОДЛОЖКАТА ИЛИ ЧЕТКАТА**

- Уверете се, че уредът е изключен.
- Спуснете главата на четката към пода, като натиснете педала напред.
- Наклонете машината назад, за да имате достъп до задвижващия мотор.

**ВАЖНО**

Махнете гумения накрайник, преди да наклоните машината назад. Това ще Ви улесни.

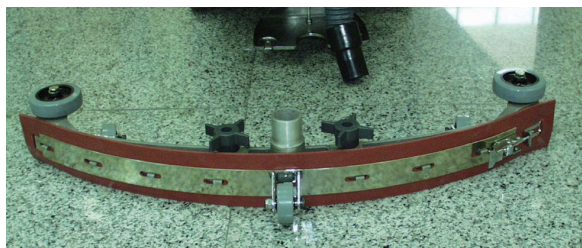
**ВНИМАНИЕ!**

Не дръжте машината наклонена дълго време. Тъй като киселината от батериите може да се излее.

- Ако използвате водача за подложката, преди това монтирайте подходящата подложка към повърхността на водача.
- Монтирайте водача на подложката или четката към задвижващия механизъм, като закопчавате трите щифта към задвижващия механизъм. След това завъртете задвижващия механизъм към пружинната скоба, за да го заключите.

**МОНТИРАНЕ НА ГУМЕНИЯ НАКРАЙНИК**

- Дръпнете назад лоста за повдигане на гумения накрайник, за да освободите скобата.
- Разхлабете двете винтчета на гумения накрайник и го плъзнете в жлебовете от задната страна на скобата. (колелцата на гумени накрайник сочат назад)
- Затегнете винтчетата.



## ПЪЛНЕНЕ НА РЕЗЕРВОАРА ЗА ПОЧИСТВАЩИЯ РАЗТВОР

Fang 20HD-EU може да се пълни от две места:

- Отпред - с маркуч или кофа.
  - Отзад - само с маркуч.
- Изберете кой от двата начина ще използвате, за да пълните машината.
  - Напълнете резервоара с около 52 литра вода. (температурата не трябва да надвишава 40° C). Прозрачната тръба в задната част отляво на машината е разграфена, за да се вижда нивото на водата в резервоара.

	<b>ВАЖНО</b> Ако пълните резервоара с кофа, уверете се, че тя е чиста. Това ще предотврати запушване на маркучите или соленоида
--	--

	<b>ВНИМАНИЕ!</b> Не наливайте запалими вещества в резервоара. Това може да причини пожар или експлозия. Използвайте само препоръчани почистващи препарати. Свържете се с вашия дистрибутор на санитарни материали за препоръки относно подходящи препарати.
--	--

## СПИРАНЕ И ПУСКАНЕ НА МАШИНАТА

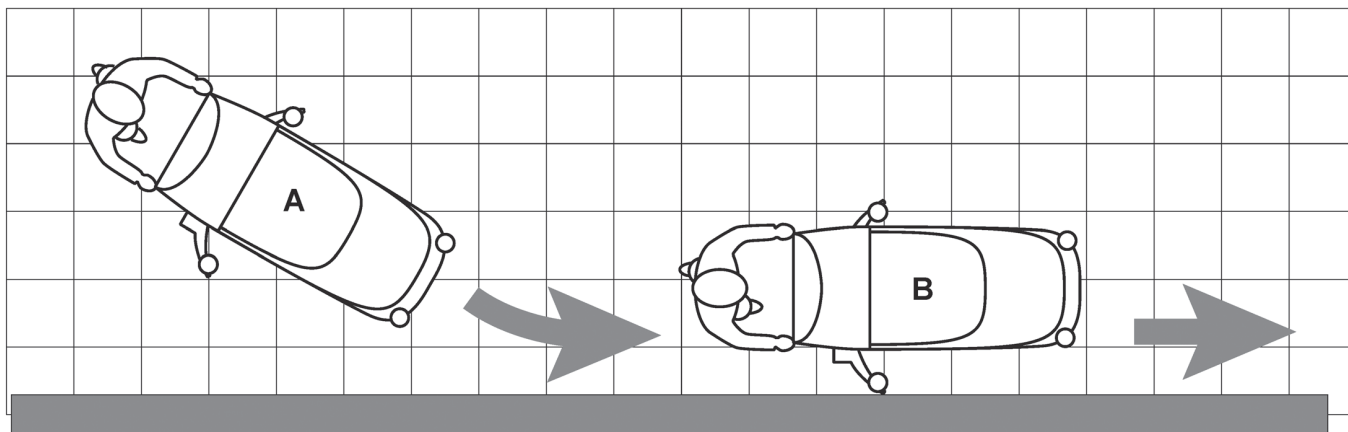
	<b>ВНИМАНИЕ!</b> Не използвайте машината, освен ако не сте прочели и разбрали напълно това ръководство.
--	--

- Нагласете корпуса за управление на подходяща височина, като притиснете заедно двете палчета (16) точно под корпуса.
- Спуснете гумения накрайник на пода, като освободите лоста (19).
- Спуснете накрайника с четката, като завъртите ключа за налягане на четката (7) в позиция **ВКЛЮЧЕНО**.
- Завъртете главния ключ за хранването (1) в позиция **ВКЛЮЧЕНО**.
- Завъртете ключа за мотора на четката (4) в позиция **ВКЛЮЧЕНО**.
- Завъртете ключа за мотора на прахосмукачката (2) в позиция **ВКЛЮЧЕНО**.
- Завъртете ключа за почистващия разтвор (6) в позиция **ВКЛЮЧЕНО**.
  - Разтвора няма да потече, докато бутоните за управление не са включени.
- Fang 20HD-EU е самоходна. Скоростта може да се управлява от лост (9), разположен на дясната страна на корпуса за управление.
- Fang 20HD-EU има задна скорост. За да включите задна скорост, има палче (18) от лявата страна на корпуса за управление.
- За да започнете почистването, натиснете единия или и двата червени бутони за управление (21). Когато това стане, четката ще започне да се върти и разтворът да тече. FANG20HD-EU: ще се движи напред сама. FANG20HD-EU: Започнете почистването, като местите машината напред

	<b>ВНИМАНИЕ!</b> Не оставяйте машината в една и съща позиция с въртяща се четка/подложка прекалено дълго, тъй като може да повредите подовата настилка.
--	--

- Регулирайте количеството разтвор, като завъртите лостчето (8). Завъртете надясно, да да увеличите количеството и наляво - за да го намалите.

	<b>ВАЖНО</b> За правилното почистване/подсушаване на пода и первазите на стените, Вајпър съветва да минавате близо до стените, както е показано.
--	---

**ВНИМАНИЕ!**

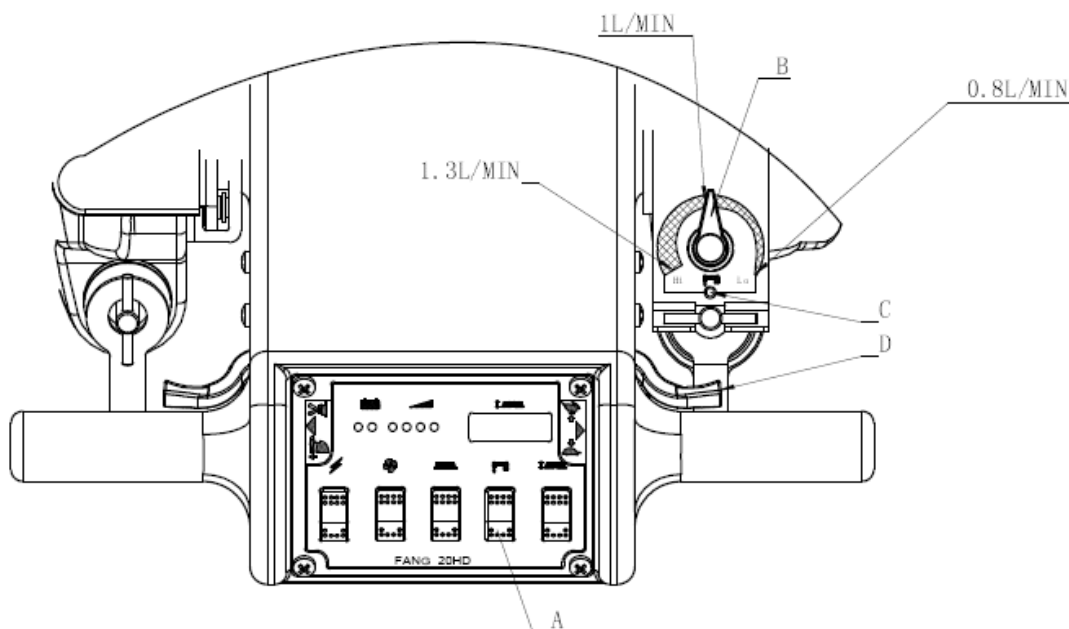
За да избегнете щети по повърхностите, изключете водача на четката/подложката, когато машината спре на място, особено ако е пусната функцията за високо налягане.

**РЕГУЛИРАНЕ НА КОЛИЧЕСТВОТО РАЗТВОР**

- Завъртете ключето за почистващия разтвор (A) в позиция „ВКЛЮЧЕНО“.
- Регулирайте количеството разтвор, като въртите лостчето (B): завъртете наляво (обратно на часовниковата стрелка), да увеличите и надясно (по посока на часовниковата стрелка), за да намалите. Пинът (C) е служи за ограничител на лостчето (B).

**ВАЖНО**

Дори да завъртите ключето за почистващия разтвор (A), разтворът няма да потече, докато бутоните за управление (D) не са натиснати.

**ИЗТОЩАВАНЕ НА БАТЕРИЯТА ПО ВРЕМЕ НА РАБОТА**

Докаато зеленатата лампичка (3) свети, батериите позволяват уредът да работи нормално.

Когато зеленатата лампичка (3) изгасне, и светне в жълто (3), е препоръчително да заредите батериите, тъй като зарядът ще стигне само за няколко минути (в зависимост от капацитета на батерията и конкретната функция).

Когато лампичката светне в червено (3), батерията е изтощена. След няколко секунди, водачът на четката/подложката се изключва автоматично, докато прахосмукачката и задвижването работят, за да се подсуши пода и уредът да се придвижи към пункта за презареждане.

**ВНИМАНИЕ!**

Не използвайте уреда с изтощени батерии, за да не повредите батериите и да съкратите живота им.

**ПО ВРЕМЕ НА РАБОТА**

- Понякога проверявайте прозрачния капак на резервния контейнер за пяна. Ако пяната е прекалено много, добавете разредител в резервния контейнер.

**ВНИМАНИЕ!**

Не бива да попада в спирателния кран на поплавка, тъй като може да повреди мотора на прахосмукачката. Пяната няма да активира спирателния кран на поплавка.

- Понякога проверявайте прозрачната тръба от задната страна на машината за нивото на почистващия разтвор.
- Проверявайте индикатора за батерията. Когато индикаторът е в червената зона, пренаредете батериите.

**ВНИМАНИЕ!**

Когато индикаторът е в червената зона, незабавно спрете работата. В противен случай, батериите могат да се повредят.

- Ако гумените чистачки оставят следи по пода, повдигнете го и го избършете с влажна кърпа.

**ВНИМАНИЕ!**

Не отстранявайте боклуци от чистачките с ръце - може да се нараните.

- Когато резервоарът с почистващия разтвор се изпразни, изключете четката и подаването на разтвора и вдигнете четката. Гуменият накрайник трябва да остане долу и продължете с прахосмукачката докато мръсната вода се извърти. (виж ИЗТОЧВАНЕ НА РЕЗЕРВОАРА, за да научите как да източите контейнерите за разтвор и мръсна вода, разтвор и вода)

**ВАЖНО**

Моторът на четката за защитен с прекъсвач, за да не се повреди. Ако това прекъсвачът се задейства, не може да се нулира веднага. Трябва да разберете какво е задействало прекъсвача и да оставите мотора да се охлади, преди да нулирате прекъсвача.

**ИЗТОЧВАНЕ НА РЕЗЕРВОАРА**

- Изключете машината от захранването.
- Транспортирайте машината до помещението за източване с вдигнати четка и гумен накрайник.

**ИЗТОЧВАНЕ НА КОНТЕЙНЕРА ЗА МРЪСНА ВОДА****ВАЖНО**

Когато чистенето приключи или при пълнене на резервоара с почистващия разтвор, контейнера за мръсна вода също трябва да се източи и почисти.

**ВНИМАНИЕ!**

Ако контейнера за мръсна вода не се източи едновременно с пълненето на резервоара за разтвора, пяна или вода могат да попаднат в спирателния кран на поплавка и да повредят мотора на прахосмукачката.

- Извадете източващия маркуч от държача и го пуснете над сифона. Завъртете пробката за източване на маркуча, за да започнете източването. За да източите напълно контейнера за мръсна вода, отворете го от пантичката и го оставете върху стенда, докато е изпразни напълно.
- Почиствайте контейнера за мръсна вода след всяко ползване. За целта използвайте маркуч. Внимавайте да не напръскате с вода механизма на спирателния кран на поплавка.

**ВАЖНО**

Ако няма да използвате машината за по-дълго време, винаги я оставяйте прозрачния капак на контейнера за мръсна вода отворен, за да може да изсъхне и да се проветри.

- След като източите контейнера, запушете пробката на маркуча.

**ИЗТОЧВАНЕ НА (ЧИСТИЯ) РЕЗЕРВОАР ЗА ПОЧИСТВАЩИЯ РАЗТВОР**

**ВАЖНО**

Когато чистенето приключи, резервоарът за почистващия разтвор също трябва да се източи и измие.

- Издърпайте прозрачната тръба (задната лява част на машината), за да я отделите от маркуча. Това ще позволи разтворът да изтече в кофа или на пода.
- Почиствайте резервоара за разтвора с чиста вода след всяко ползване. Това ще предотврати наслагването на препарати и замърсяването на маркучите.
- Когато напълните резервоара с чиста вода, включете машината и подаването на разтвор, след което включете бутоните за управление. Това ще промие маркучите.
- Когато резервоарът е измит и празен, пхнете прозрачната тръба в маркуча. Уверете се, че тръбата е добре захваната към маркуча.

**ЗАРЕЖДАНЕ НА БАТЕРИЯТА****ВАЖНО**

За оптимална работа на уреда, поддържайте батериите винаги заредени. Не ги оставяйте изтощени за дълго време.

**ВАЖНО**

Ако уредът има допълнително зарядно, машината не може да се включи, ако зарядното не е поставено. В случай, че зарядното не работи, свържете се с оторизиран Сервизен Център.

**ВНИМАНИЕ!**

Използвайте само одобрени зарядни със следните спецификации:

- Автоматично прекъсване на веригата
- Дълбок цикъл на зареждане
- Изходен ток от 10-20 Amps
- Изходно напрежение of 24 Volts

**ВНИМАНИЕ!**

Батериите са опасни! Батериите отделят водороден газ, който може да предизвика пожар или експлозия. Пазете батериите от искри или огън от искри или огън. Оставете отделението на батериите отворено по време на зареждане.




- Съхранявайте зарядното и машината в проветрено помещение.
- Изключете машината.
- Отворете контейнера за мръсна вода, така че да имате достъп до отделението за батериите.
- Проверете нивото на течността във всяка клетка. Не зареждайте батериите, ако течността не покрива плочките на батерията. Не препълвайте батериите. В противен случай те могат да прелеят по време на експлоатация. Махнете капачките, преди да заредите.
- Включете зарядното в заземен контакт, преди да го включите в машината.
- Включете зарядното в червената буска в предната лява част на отделението за батерии.
- Обърнете стойката на контейнера за мръсна вода и внимателно сложете контейнера, докато е на стенда.



- Зарядното автоматично ще започне да зарежда батериите и ще се изключи автоматично, когато батериите са заредени.
- Когато зареждането приключи, първо изключете зарядното от контакта, а след това и от машината.
- Проверете нивото на батериите, когато зареждането приключи. Ако нивото на електролита е ниско, добавете дестилирана вода, докато нивото на индикатора се по индикатора се покачи. Сложете капачките и избършете батериите с кърпа.

## ПОДДРЪЖКА

За да Ви служи машината дълго време, моля спазвайте следните указания:

	<p><b>ВНИМАНИЕ!</b> Уверете се, че машината е спряна и кабелът на батерията е изключен преди да извършвате дейности по поддръжка или ремонт.</p>
---	--

## ЕЖЕДНЕВНА ПОДДРЪЖКА

- Махнете водача на подложката/четката и почистете с подходящ препарат.
- Източете напълно резервоарите за чиста и мръсна вода и ги изплакнете. Проверете дали са чисти и почистете отново, ако е нужно.
- Raise squeegee assembly off floor and wipe it down with a damp towel. Be sure to store the squeegee in the up position.
- Remove the float shut-off assembly and rinse it out with clean water.
- Clean machine with an approved cleaner and a damp towel. Don't spray water to clean the outside of machine to avoid damage to motor and wiring.
- Recharge batteries.



## ЕЖЕСЕДМИЧНА ПОДДРЪЖКА

- Проверявайте нивото на течността в батериите.
- Проверявайте батериите за разхлабени или корозирали кабели.
- Уверете се, че клемите на батериите не са ръждясали.

## ЕЖЕМЕСЕЧНА ПОДДРЪЖКА

- Проверявайте машината за течове или разхлабени елементи.
- Смажете всички гресирани части и въртящите се елементи със силиконов спрей и подходяща грес.
- Поставете машината над сифон. Промийте системата, като излеете 10 литра гореща вода и алкален препарат в резервоара за почистващия разтвор (с включено подаване на разтвор) за 45 секунди. Изключете машината и я оставете да преседи едно денонощие. На следващия ден подсушете, източете остатъчния разтвор и изплакнете резервоара с чиста вода.

## ПОЧИСТВАНЕ НА ФИЛТЪРА НА ПРАХОСМУКАЧКАТА

- Поставете машината на равна повърхност.
- Завъртете ключа за запалване в позиция "ИЗКЛЮЧЕНО".
- Отворете контейнера за мръсна вода.
- Ако е необходимо, източете водата от контейнера, за да имате достъп до филтъра.
- Проверете дали пре-филтъра е чист. Ако е нужно го измийте с вода и въздух под налягане, след което го поставете отново.
- Изпълнете стъпки 1,2 и 3 в обратен ред.

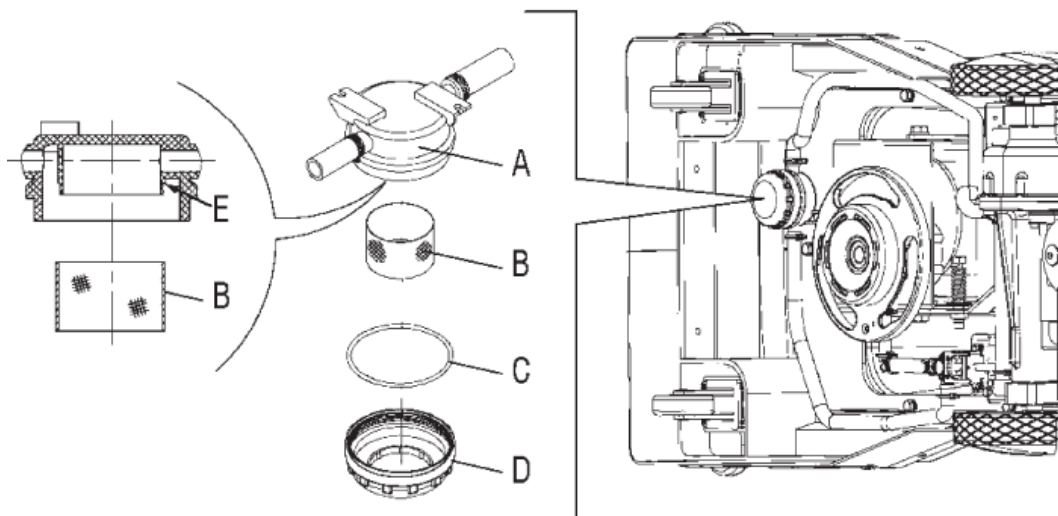
## ПОЧИСТВАНЕ НА ФИЛТЪРА ЗА РАЗТВОР/ЧИСТА ВОДА

- Поставете машината на равна повърхност.
- Завъртете ключа за запалване в позиция "ИЗКЛЮЧЕНО".
- Свалете прозрачния капак (D) (мястото на водния филтър е под машината), след това махнете цедката на филтъра (B). Почистете ги и ги монтирайте обратно на стойката (A).



**ВАЖНО**

Цедката на филтъра (B) трябва да бъде поставена правилно спрямо корпуса (E) на стойката (A).



**ПРОВЕРКА И СМЯНА НА ГУМЕНИТЕ ЧИСТАЧКИ**

- Почистете гумения накрайник според указанията в предния параграф.
- Проверете перото (M) на предната чистачка, а перото (L) на задната чистачка (E) поставете на същото ниво по дължина; иначе регулирайте височината по следния начин:
  - Освободете държачите (A), за да регулирате задната чистачка (E); след това ги захванете отново.
  - Разхлабете ръчните колела (G) и регулирайте предната чистачка (D); след това ги стегнете.
- Проверете предната чистачка (D) и задната чистачка (E) за разкъсвания и цепнатини; ако е необходимо ги сменете, както е показано по-долу.

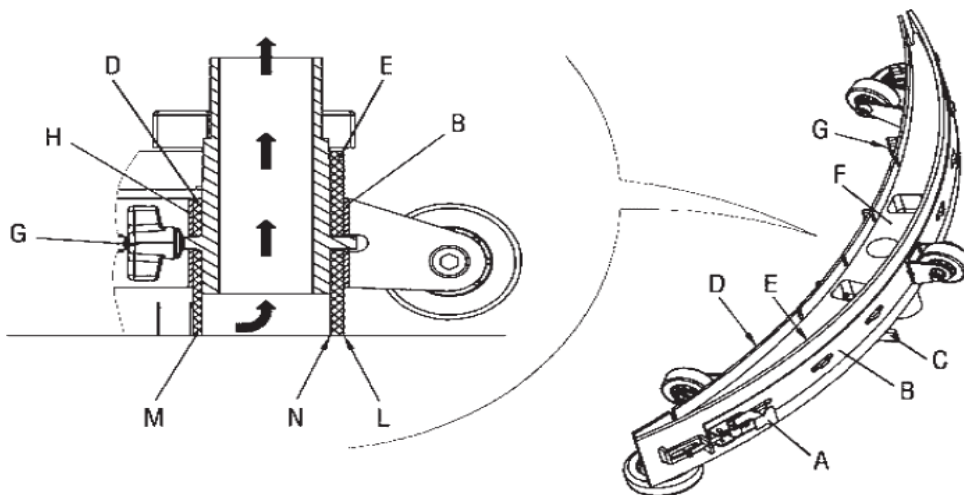
Проверете дали предния ъгъл (N) на задната чистачка не е износен; ако е така, обърнете чистачката, за да замените износения ъгъл с цял.

Ако всички ъгли са износени, подменете чистачката според инструкциите:

- Освободете държачите (A) и свалете държачата лента (B), след това подменете/обърнете задната чистачка (E). Поставете чистачката в обратен на свалянето ред.
- Развийте ръчните колела (G) и свалете държачата лента (H), след това подменете предната чистачка (D). Поставете чистачката в обратен на свалянето ред.

След подмяната (или обърщането) на чистачката, регулирайте височината според предните стъпки.

- Свържете маркуча на прахосмукачката (33) към гумения накрайник.
- Поставете гумения накрайник (13) и стегнете ръчните колела (34).



**ПОЧИСТВАНЕ НА ЧЕТКАТА/ПОДЛОЖКАТА**



**ВНИМАНИЕ!**

Опасност от порязване.

Препоръчително е да носите предпазни ръкавици, когато почиствате четката или подложката заради опасността от остри отпадъци.

- Свалете четката/подложката от машината, както е указано в инструкцията за употреба.
- Почистете четката/подложката с вода и препарат.
- Проверете дали четката/подложката е здрава и дали не е прекалено износена, и ако е така – сменете я.

**ОТСТРАНЯВАНЕ НА НЕИЗПРАВНОСТИ**

ПРОБЛЕМ	ПРИЧИНА	РЕШЕНИЕ
Няма захранване	Слаба батерия	Сменете батериите
	Батериите трябва да се заредят	Заредете батериите (виж Зареждане на батериите)
	Разхлабен кабел на батериите	Стегнете хлабавия кабел/кабели
	Батериите не са свързани правилно	Следвайте инструкциите за поставяне на батериите
Моторът на четката не работи	Неизправен ключ за четката	Свържете се с дистрибутора на Вайпър.
	Задействал се е прекъсвачът на захранването на четката.	Проверете мотора на четката за запушване и нулирайте прекъсвача
	Токоизправителят е изгорял	Свържете се с дистрибутора на Вайпър.
	Неизправни кабели	Свържете се с дистрибутора на Вайпър.
	Неизправен мотор на четката	Свържете се с дистрибутора на Вайпър.
	Карбоновите четки са износени	Свържете се с дистрибутора на Вайпър.
	Неизправен соленоид	Свържете се с дистрибутора на Вайпър.
Моторът на прахосмукачката не работи	Неизправен ключ за прахосмукачката	Свържете се с дистрибутора на Вайпър.
	Неизправни кабели	Свържете се с дистрибутора на Вайпър.
	Неизправен мотор на прахосмукачката	Свържете се с дистрибутора на Вайпър.
	Карбоновите четки са износени	Свържете се с дистрибутора на Вайпър.
Кратко време на работа	Батериите трябва да се заредят	Заредете батериите (виж Зареждане на батериите)
	Батериите трябва да се обслужат	Виж Поддръжка на батериите в ръководството
	Неизправна клетка/клетки на батериите	Сменете батериите
	Неизправно зарядно устройство	Сменете зарядно устройство
Недостатъчно подаване на почистващ разтвор	Неизправен ключ за подаване на разтвора	Свържете се с дистрибутора на Вайпър.
	Задръстен соленоид за подаване на разтвора	Свържете се с дистрибутора на Вайпър.
	Задръстен филтър на разтвора	Свалете филтъра и го почистете
	Запушени маркучи	Свалете маркучите и ги почистете
	Пробката за подаване на разтвора трябва да се регулира	Увеличете подаването на разтвор, като завъртите лостчето надясно. Намалете подаването на разтвор, като завъртите лостчето
Лошо налягане на водата	Задръстен гумен накрайник	Отстранете боклуците и почистете гумения накрайник с влажна кърпа
	Износени чистачки	Сменете чистачките с нови
	Гуменият накрайник не е монтиран правилно	Уверете се, че гуменият накрайник е добре закрепен и не е хлабав.
	Маркучите на прахосмукачката са пробити или хлабави	Проверете връзките между маркучите и се уверете, че те са здрави. Сменете маркуча, ако е наранен.

ПРОБЛЕМ	ПРИЧИНА	РЕШЕНИЕ
	Запушен маркуч на прахосмукачката.	Проверете маркуча и отстранете боклуците.
	Пробката за източване на маркуча е хлабава.	Стегнете пробката за източване.
	Батериите трябва да се заредят.	Заредете батериите (виж Зареждане на батериите)
	Моторът на прахосмукачката е хлабав	Затегнете винтовете на мотора на прахосмукачката. Не го пренатягайте, тъй като може да се повреди
	Капакът на контейнера за мръсна вода е хлабав.	Уверете се, че капакът на контейнера за мръсна вода е чист и добре поставен.
	Отвора на контейнера за мръсна вода е запушен.	Източете контейнера за мръсна вода и го наклонете настрани. Проверете отвора и отстранете боклуците.
	Контейнерът за мръсна вода е пълен.	Източете контейнера за мръсна вода.
	Кранът на поплавка е задръстен	Свалете крана на поплавка от контейнера за мръсна вода

## СЪХРАНЯВАНЕ



### ВНИМАНИЕ!

Ако съхранявате машината на място с ниска температура, уверете се, че контейнерите и маркучите са празни и сухи!

- Съхранявайте уреда на сухо място, защитено от замръзване.
- Температурата на съхранение на машината трябва да бъде между 0 ° C и 40 ° C.
- Винаги съхранявайте машината на закрито.
- Винаги сваляйте четката/подложката
- Винаги дръжте четката и гумения накрайник в изправено положение спрямо пода.
- Ако съхраняване на място, което може да достигне минусови температури, не забравяйте източите всички течности от машината преди съхранение. Каквито и да е щети, причинени от замръзване, не се покриват от гаранцията.
- Източете контейнера за мръсна вода и свалете капака му, за да може да "диша" по време на съхранение.
- Източете резервоара за почистващия разтвор от всички течности.

## РЕЦИКЛИРАНЕ НА ПОДОЧИСТАЧКАТА

Незабавно бракувайте подочистачката!

- Махнете батериите
- Не изхвърляйте електрическите уреди заедно с битовите отпадъци.



Както е посочено в Европейската директива 2002/96/ЕО за стари електрически и електронни уреди, използваните електрически уреди трябва да бъдат разделно събрани и рециклирани екологично. Свържете се с местните власти или най-близкия дистрибутор за повече информация.

Company information  
[www.vipercleaning.eu](http://www.vipercleaning.eu)  
[info-eu@vipercleaning.com](mailto:info-eu@vipercleaning.com)

