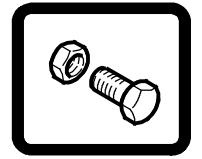




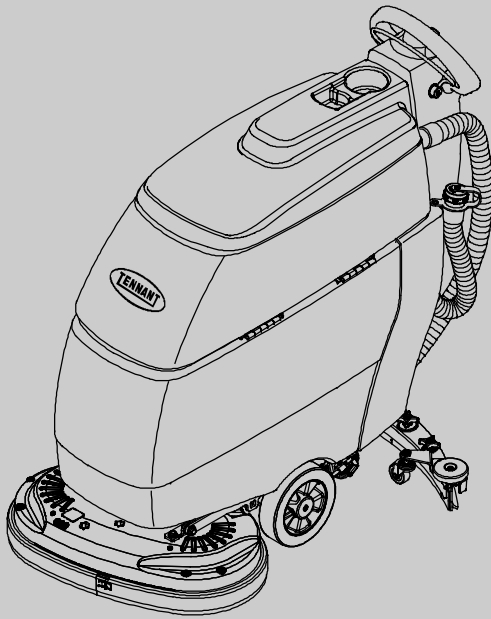
T3/T3+

Automatic Scrubber

Parts Manual



(S/N 10477736-)



FaST
Foam Scrubbing Technology
The Safe Scrubbing Alternative®

ec H₂O®
An ORBIO™ Technology

Hygenic® Fully Cleanable Tanks



For the latest Parts manuals and other language Operator manuals, visit:

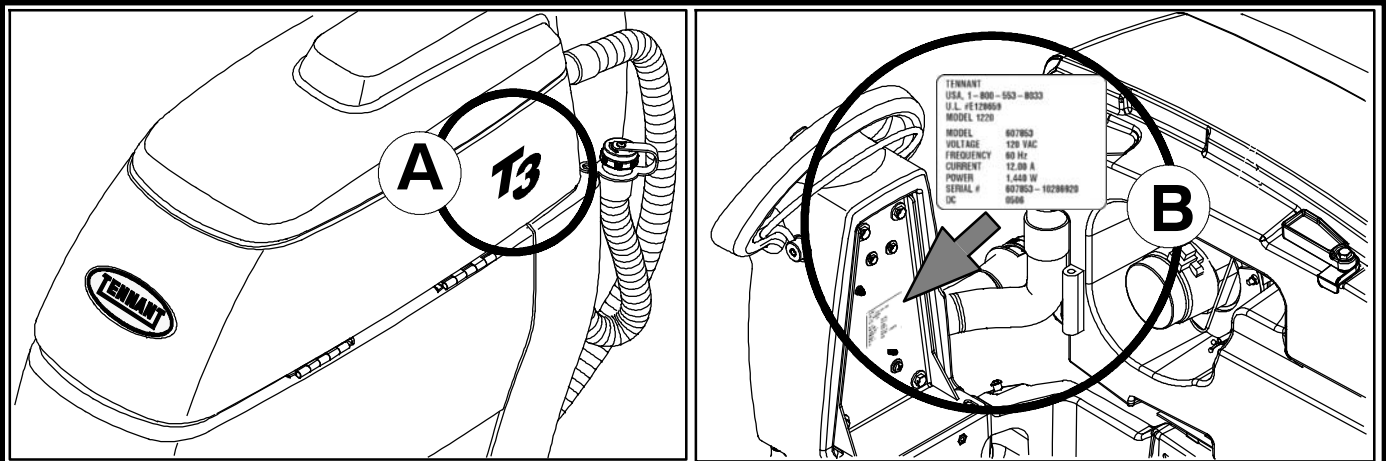
www.tennantco.com/manuals

North America / International

www.tennantco.com

9008160
Rev. 04 (11-2015)





Ref	Part No.	Serial Number	Description	Qty.
1	82681	(000000-)	Bracket W/dt, Lpg Mount	1
▽ 2	63810	(000000-)	Latch Assy, Lpg Tank Mtg, W/Nut	4
▲ 3	51839	(000000-)	Nut Adjustable, Lpg Tank Mtg	2
4	49263	(000000-)	Tie, Cable	3
82556	(000000- 001039)		Bracket, Vaporizer	1
D	54930	(000000-)	Vaporizer, LPG	1

HOW TO ORDER PARTS - See diagram above

Only use TENNANT Company supplied or equivalent parts. Parts and supplies may be ordered online, by phone, by fax or by mail.

Follow the steps below to ensure prompt delivery.

1. (A) Identify the machine model.
2. (B) Identify the machine serial number from the data label.
3. (C) Ensure the proper serial number is used from the parts list.
4. Identify the part number and quantity.
Do not order by page or reference numbers.
5. Provide your name, company name, customer ID number, billing and shipping address, phone number and purchase order number.
6. Provide detail shipping instructions.

- (D) ▽ - identifies an assembly
▲ - identifies parts included in assembly

Please fill out at time of installation for future reference.

Model No. - _____

Serial No. - _____

Machine Options - _____

Sales Rep. - _____

Sales Rep. phone no. - _____

Customer ID Number - _____

Installation Date - _____

Tennant Company

PO Box 1452
 Minneapolis, MN 55440
 Phone: (800) 553-8033 or (763) 513-2850
 www.tennantco.com

Specifications and parts are subject to change without notice.

Copyright © 2010-2015 TENNANT Company, Printed in U.S.A.

TABLE OF CONTENTS

GENERAL RECOMMENDED MAINTENANCE ITEMS	6	SCRUB HEAD LIFT GROUP, 43 CM MODEL ...	52
STANDARD PARTS		SCRUB HEAD LIFT GROUP, 50 CM MODEL ...	54
REPLACEMENT BRUSH AND PAD DRIVER GROUP, 43 CM MODEL	8	SCRUB HEAD LIFT GROUP, 50 CM MODEL ...	55
REPLACEMENT BRUSH AND PAD DRIVER GROUP, 50 CM MODEL	10	SCRUB HEAD LIFT GROUP, DUAL DISK 60 CM MODEL	56
REPLACEMENT BRUSH AND PAD DRIVER GROUP, 60 CM MODEL	12	SOLUTION GROUP, FaST MODEL	58
RECOVERY TANK GROUP	14	SOLUTION GROUP, FaST MODEL - CONT'D ..	60
RECOVERY TANK GROUP (JAPAN MARKET) .	16	9008865 FAST INJECTOR ASSEMBLY BREAKDOWN, SINGLE DISK 43 CM & 50 CM MODELS (S/N 10533369-)	62
VACUUM FAN GROUP	18	9003906 FAST INJECTOR ASSEMBLY BREAKDOWN, SINGLE DISK 43 CM & 50 CM MODELS (S/N 10477736- 10533368)	63
SOLUTION TANK GROUP	20	9008847 FAST INJECTOR ASSEMBLY BREAKDOWN, DUAL DISK 60 CM MODEL (S/N 10538206-)	64
SOLUTION TANK GROUP - CONT'D	22	9003907 FAST INJECTOR ASSEMBLY BREAKDOWN, DUAL DISK 60 CM MODEL (S/N 10483942- 10538205)	65
CONTROL CONSOLE GROUP, DRIVE MODEL	24	SOLUTION GROUP, ec-H2O MODEL	66
COMPONENT PANEL GROUP, DRIVE MODEL (S/N JUN2014 -)	26	ec-H2O MODULE ASSEMBLY BREAKDOWN, 9007970	68
COMPONENT PANEL GROUP, DRIVE MODEL (S/N 10477736 - MAY2014)	28	SOLUTION GROUP, STANDARD MODEL	70
CONTROL CONSOLE GROUP, BRUSH ASSIST MODEL	30	SQUEEGEE GROUP	72
COMPONENT PANEL GROUP, BRUSH ASSIST MODEL (S/N JUN2014 -)	32	BATTERY GROUP, 12V/155AH, 50 cm (20 in) / 60 cm (24 in) DRIVE MODEL	74
COMPONENT PANEL GROUP, BRUSH ASSIST MODEL (S/N 10477736 - MAY2014)	34	BATTERY GROUP, 12V/130AH, 50 cm (20 in) BRUSH ASSIST MODEL	75
WHEEL GROUP, DRIVE MODEL	36	BATTERY GROUP, 12V/105AH, 43 cm (17 in) BRUSH ASSIST MODEL	76
WHEEL GROUP, BRUSH ASSIST MODEL	38	BATTERY GROUP, MAINTENANCE FREE, 12V/105AH (JAPAN MARKET)	77
SCRUB HEAD GROUP, 43 cm (17 in) MODEL (S/N 10564492-)	40	OFF-BOARD BATTERY CHARGER GROUP ...	78
SCRUB HEAD GROUP, 43 cm (17 in) MODEL (S/N 10477736- 10564491)	42	ON-BOARD BATTERY CHARGER GROUP	80
SCRUB HEAD GROUP, 50 cm (20 in) MODEL (S/N 10564492-)	44		
SCRUB HEAD GROUP, 50 cm (20 in) MODEL (S/N 10477736- 10564491)	46		
SCRUB HEAD GROUP, DUAL DISK, 60 cm (24 in) MODEL	48		
SCRUB HEAD GROUP, DUAL DISK, 60 cm (24 in) MODEL - CONT'D	50		

STANDARD PARTS - Cont'd

ELECTRICAL DIAGRAM, DRIVE STANDARD & FAST MODEL 82

ELECTRICAL DIAGRAM, BRUSH ASSIST STANDARD & FAST MODEL 83

ELECTRICAL DIAGRAM, DRIVE ec-H2O MODEL 84

ELECTRICAL DIAGRAM, BRUSH ASSIST ec-H2O MODEL 85

WIRE HARNESS, MAIN, BRUSH ASSIST MODEL 86

WIRE HARNESS, MAIN, DRIVE MODEL 88

WIRE HARNESS, MAIN, BRUSH ASSIST MODEL (AUSTRALIAN MODEL) 90

WIRE HARNESS, MAIN, DRIVE MODEL (AUSTRALIAN MODEL) 92

WIRE HARNESS, CHASSIS, DRIVE MODEL ... 94

WIRE HARNESS, FaST MODEL 95

WIRE HARNESS, ec-H2O MODEL 96

OPTIONS

BATTERY GROUP, MAINTENANCE FREE, 12V/140AH 98

BATTERY GROUP, GEL, 12V/100AH 99

OIL RESISTANCE GROUP (JAPAN MARKET) .. 100

RECOMMENDED MAINTENANCE/SERVICE ITEMS

GENERAL RECOMMENDED MAINTENANCE ITEMS

Ref.	Part No.	Serial Number	Description	Qty.
	1011232	(10477736-) Blade, Sqge, Front, 784l, Linatex[500mm] (Standard)	1
	1014091	(10477736-) Blade, Sqge, Front, 784mml Gum [500mm] (Optional)	1
	1014092	(10477736-) Blade, Sqge, Front, 784mml Oil- Rstn (Optional)	1
	1011456	(10477736-) Blade, Sqge, Rear, 32.68l Linatex[500mm] (Standard)	1
	1014093	(10477736-) Blade, Sqge, Rear, 32.68l Gum [500mm] (Optional)	1
	1014094	(10477736-) Blade, Sqge, Rear, 32.68l Pyu [500mm] (Optional)	1
	1014079	(10477736-) Clip, Grip, Hose, 1.50id, Dbl, Blk Pyp	1
	1014026	(10477736-) Hose, Vacuum, 1.50id X 057.0l, 2cuff	1
▽	1043538	(10477736-) Hose Assy, Drain, 1.50id X 29.5l, Blk	1
▲▽	1008639	(10477736-) Cap, Drain Assy	1
▲▲	1019563	(10477736-) Strap, Cap, Drain	1
	1022797	(10477736-) Seal, Bulb, Str, .295grv, 66.93l	1
	630052	(10477736-) Float, Shut- Off, (2)Ball, 1.75d	1
	1037106	(10477736-) Gasket, Adapter, Hose .13, Neo	1
	1008637	(10477736-) Seal, Org, 1.48id 1.76od	1
	630368	(10477736-) Seal, .75, .75w 25.6l, Adh [D Shape]	1
	100038	(10477736-) Gasket, .50, 02.63id 05.75od, Adh [Epdm]	1
	1012965	(10477736-) Cap, Port, Soltn Fill	1
	1011721	(10477736-) Hose, Drain, 0.75id X 25.6l, Vyl	1
	1019008	(10477736-) Caster, Swivel, 80mmd, M12 X 25 Clr Pl	2
	1010560	(10477736-) Wheel, Bmpr, 80d X 25w, Non- Marking	1
	1014283	(10477736-) Pad, Adh, Non- Slip, 28mm X 36mm, Blk	1
	375206	(10477736-) Gasket, 4.05id 5.47od .19, Neo	1
	1015522	(10477736-) Filter, Screen, 080 Mesh, Ss, Pf08	1
	1013768	(10477736-) Strap, Retaining, 20mm X 159mm X 3.2,Blk	2
	1017251	(10477736-) Seal, Bulb, 90, 0.49d .08- .09grip 022.2l	2
▽	9001178	(10477736-) Squeegee Assy Kit, 500mm, Ci	1
▲	1010560	(10477736-) Wheel, Bmpr, 80d X 25w, Non- Marking	2
▲	1006343	(10477736-) Caster, Swivel, 50mmd, M10 X 30, Clr Pl	2
	610906	(10477736-) Hook, Cord Viper	2
	1016040	(10477736-) Fuse, Blade, 25a, 32vdc (Drive Model NA)	1
	762516	(10477736-) Fuse, Blade, 30a, 32vdc (Drive Model NA)	1
	1016040	(10477736-) Fuse, Blade, 25a, 32vdc (Drive Model Australia)	1
	762516	(10477736-) Fuse, Blade, 30a, 32vdc (Drive Model Australia)	1
	1016040	(10477736-) Fuse, Blade, 25a, 32vdc (Push Model NA)	1
	1016029	(10477736-) Fuse, Blade, 05a, 32vdc (Push Model NA)	1
	1016040	(10477736-) Fuse, Blade, 25a, 32vdc (Push Model Australia)	1
	1016029	(10477736-) Fuse, Blade, 05a, 32vdc (Push Model Australia)	1
	1016039	(10477736-) Fuse, Blade, 7.5a, 32vdc (Fast Model)	1
	1047470	(10477736-) Fuse, Blade, 10a, 32vdc, Red (ec-H2O Model)	1
	614166	(10477736-) Brush Kit, Carbon [Qty 4] (Transaxle)	1
	1045790	(10564492-) Brush Kit, Replmt, Carbon 24vdc [4pc = 1kit] (43cm & 50cm Pad Driver)	1
	190970	(10477736- 10564491) Vr, Brush, Carbon, Motor, Ele (43cm & 50cm Pad Driver)	4
	1059370	(10477736-) Motor, Brush, Replmt [Bag Of 4] (60cm Pad Driver)	1
	1039988	(10477736-) Orifice, Plug, .027 (43cm & 50 cm Fast Model)	1
	1039989	(10483942-) Plug, Orifice, 0.030, Ss [Fast li+] (60 cm Fast Model)	1
	1017015	(10477736-) Detergent, Pkg, 2 Liter, Sgl [365] (Fast Model)	1
	1017022	(10477736-) Detergent, Pkg, 2 Liter, Sgl [665] (Fast Model)	1

RECOMMENDED MAINTENANCE/SERVICE ITEMS

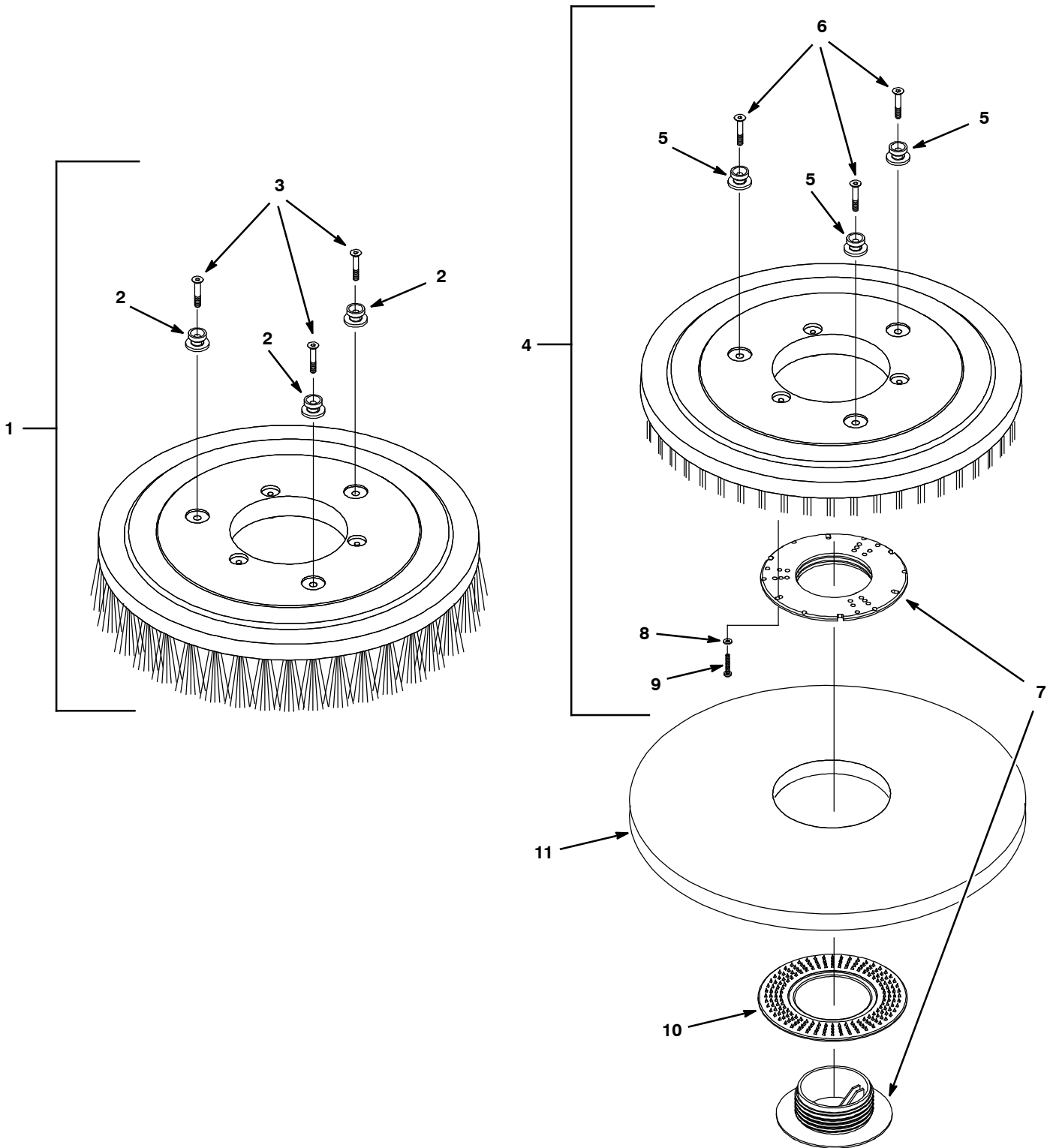
GENERAL RECOMMENDED MAINTENANCE ITEMS

Ref.	Part No.	Serial Number	Description	Qty.
	1022797	(10477736-) Seal, Bulb, Str, .295grv, 66.93l (Japan Model)	1
	1037106	(10477736-) Gasket, Adapter, Hose .13, Neo (Japan Model)	1
	1051986	(10477736-) Valve, Hose, Drain (Japan Model)	1
	1051504	(10477736-) Strap, Hose, Drain (Japan Model)	1
	1051438	(10477736-) Hose, Drain, 1.50id X 19.3l, Blk [Japan Market] (Japan Model)	1
	1016763	(10477736-) Brush Assy, Disk, Scb, 17.0d, Abr (Gray- Abrasive)	1
	1016764	(10477736-) Brush Assy, Disk, Scb, 17.0d, Nyl (White- Soft Nylon)	1
	1016765	(10477736-) Brush Assy, Disk, Scb, 17.0d, Pyp (Black- Polypropylene)	1
	1050273	(10477736-) Pad, Polish, 17.0d, White [1pick=1pad]	1
	1050271	(10477736-) Pad, Buff, 17.0d, Red [1pick=1pad]	1
	1050270	(10477736-) Pad, Scb, 17.0d, Blue [1pick=1pad]	1
	1050267	(10477736-) Pad, Stripping, 17.0d, Brown[1pick=1pad]	1
	1050262	(10477736-) Pad, Stripping, 17.0d[Hi Pro,1pick=1pad] (Black)	1
	1051028	(10477736-) Pad, Surf Prep, 17.0d [Mar, 1pick=1pad] (Maroon)	1
	1016805	(10477736-) Brush Assy, Disk, Scb, 20.0d, Abr (Gray- Abrasive)	1
	1016810	(10477736-) Brush Assy, Disk, Scb, 20.0d, Nyl (White- Soft Nylon)	1
	1016811	(10477736-) Brush Assy, Disk, Scb, 20.0d, Pyp (Black- Polypropylene)	1
	17260	(10477736-) Pad, Polish, 20.0d, White [1pick=1pad]	1
	17261	(10477736-) Pad, Buff, 20.0d, Red [1pick=1pad]	1
	17262	(10477736-) Pad, Scb, 20.0d, Blu [1pick=1pad]	1
	17263	(10477736-) Pad, Stripping, 20.0d, Brown[1pick=1pad]	1
	370094	(10477736-) Pad, Stripping, 20.0d[Hi Prod,1pick=1pad] (Black)	1
	1051030	(10477736-) Pad, Surf Prep, 20.0d [Mar, 1pick=1pad] (Maroon)	1
	1063297	(10477736-) Brush Assy, Disk, Scb, 12.0d, 3- Lug, Abr (Gray- Abrasive)	2
	1056306	(10477736-) Brush Assy, Disk, Scb, 12.0d, 3- Lug, Nyl (White- Soft Nylon)	2
	1056313	(10477736-) Brush Assy, Disk, Scb, 12.0d, 3- Lug, Pyp (Black- Polypropylene)	2
	385940	(10477736-) Pad, Polish, 12.0d, White [1pad=1pc]	2
	385941	(10477736-) Pad, Buff, 12.0d, Red [1pad=1pc]	2
	385942	(10477736-) Pad, Scb, 12.0d, Blu [1pick = 1 Pad] (Blue)	2
	385943	(10477736-) Pad, Stripping, 12.0d, Brown [1pad=1pc]	2
	1063334	(10477736-) Pad, Stripping, 12.0d [Hi- Prod] Blk (Black)	2
	1051020	(10477736-) Pad, Surf Prep, 12.0d [Mar, 1pick=1pad] (Maroon)	2

REPLACEMENT BRUSH AND PAD DRIVER GROUP, 43 CM MODEL

Ref.	Part No.	Serial Number	Description	Qty.
1	1016763	(10477736-) Brush Assy, Disk, Scb, 17.0d, Abr (Gray- Abrasive)	1
1	1016764	(10477736-) Brush Assy, Disk, Scb, 17.0d, Nyl (White- Soft Nylon)	1
1	1016765	(10477736-) Brush Assy, Disk, Scb, 17.0d, Pyp (Black- Polypropylene)	1
2	1013018	(10477736-) Stud, Drive, Brush Pad	3
3	1021316	(10477736-) Screw, Flt, Phl, M6 X 1.00 X 35, Ss	3
4	1016813	(10477736-) Driver Assy, Pad, 43cm/17inch	1
5	1013018	(10477736-) Stud, Drive, Brush Pad	3
6	1021316	(10477736-) Screw, Flt, Phl, M6 X 1.00 X 35, Ss	3
7	32506	(10477736-) Device, Centering, Rh Pad Retainer	1
8	41579	(10477736-) Washer, Flat, #08, Ss	3
9	04403	(10477736-) Screw, Pan, M4 X 0.7 X 25, Ss, NI	3
10	32505	(10477736-) Washer, Flat, 3.60b 5.65d .06, Brush Pad	1
11	1050273	(10477736-) Pad, Polish, 17.0d, White [1pick=1pad]	1
11	1050271	(10477736-) Pad, Buff, 17.0d, Red [1pick=1pad]	1
11	1050270	(10477736-) Pad, Scb, 17.0d, Blue [1pick=1pad]	1
11	1050267	(10477736-) Pad, Stripping, 17.0d, Brown[1pick=1pad]	1
11	1050262	(10477736-) Pad, Stripping, 17.0d[Hi Pro,1pick=1pad] (Black)	1
11	1051028	(10477736-) Pad, Surf Prep, 17.0d [Mar, 1pick=1pad] (Maroon)	1

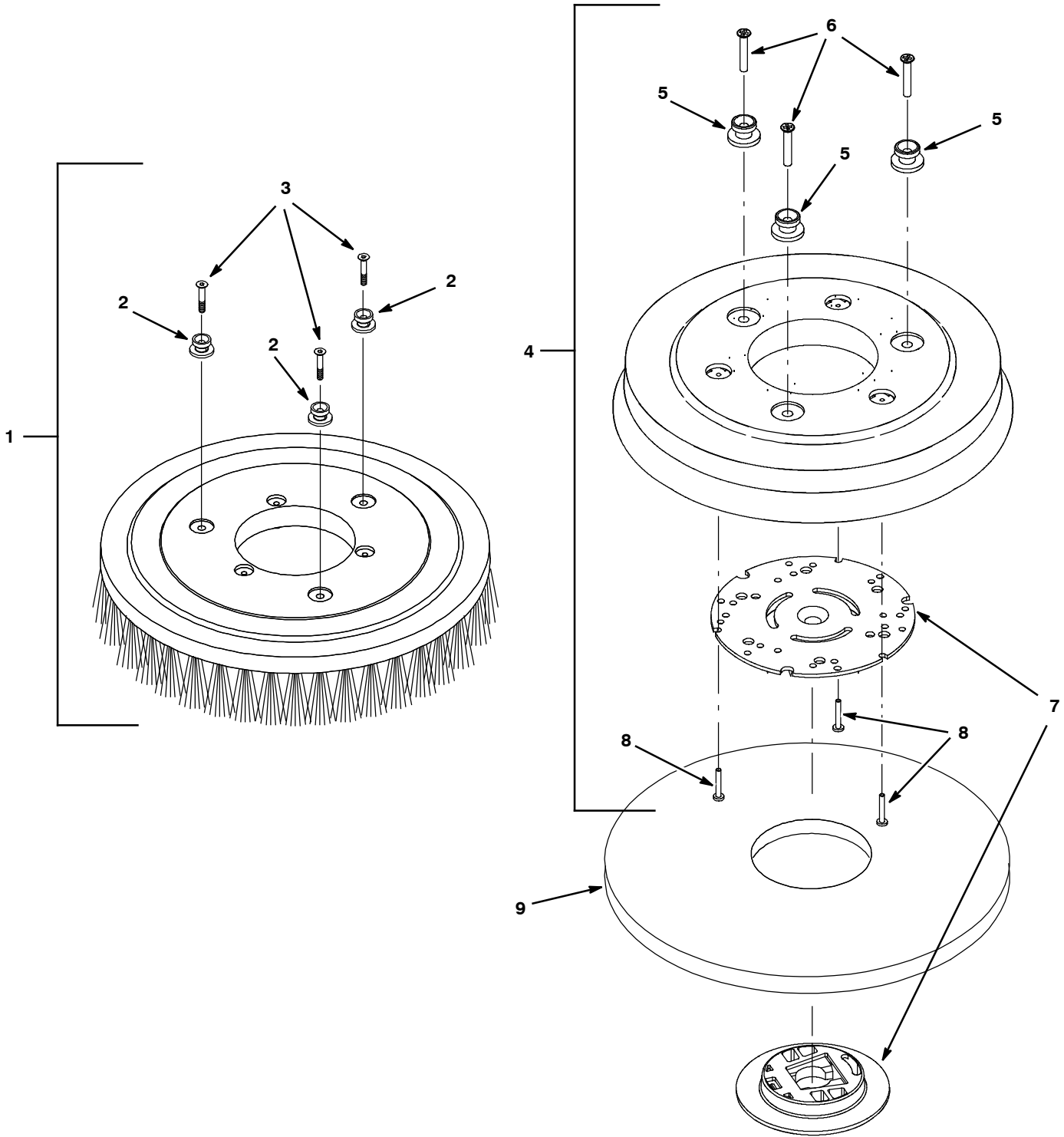
REPLACEMENT BRUSH AND PAD DRIVER GROUP, 50 CM MODEL



REPLACEMENT BRUSH AND PAD DRIVER GROUP, 50 CM MODEL

Ref.	Part No.	Serial Number	Description	Qty.
1	1016805	(10477736-) Brush Assy, Disk, Scb, 20.0d, Abr (Gray- Abrasive)	1
1	1016810	(10477736-) Brush Assy, Disk, Scb, 20.0d, Nyl (White- Soft Nylon)	1
1	1016811	(10477736-) Brush Assy, Disk, Scb, 20.0d, Pyp (Black- Polypropylene)	1
2	1013018	(10477736-) Stud, Drive, Brush Pad	3
3	1021316	(10477736-) Screw, Flt, Phl, M6 X 1.00 X 35, Ss	3
4	1016814	(10477736-) Driver Assy, Pad, 50cm/20inch	1
5	1013018	(10477736-) Stud, Drive, Brush Pad	3
6	1021316	(10477736-) Screw, Flt, Phl, M6 X 1.00 X 35, Ss	3
7	32506	(10477736-) Device, Centering, Rh Pad Retainer	1
8	41579	(10477736-) Washer, Flat, #08, Ss	3
9	04403	(10477736-) Screw, Pan, M4 X 0.7 X 25, Ss, NI	3
10	32505	(10477736-) Washer, Flat, 3.60b 5.65d .06, Brush Pad	1
11	17260	(10477736-) Pad, Polish, 20.0d, White [1pick=1pad]	1
11	17261	(10477736-) Pad, Buff, 20.0d, Red [1pick=1pad]	1
11	17262	(10477736-) Pad, Scb, 20.0d, Blu [1pick=1pad]	1
11	17263	(10477736-) Pad, Stripping, 20.0d, Brown[1pick=1pad]	1
11	370094	(10477736-) Pad, Stripping, 20.0d[Hi Prod,1pick=1pad (Black)	1
11	1051030	(10477736-) Pad, Surf Prep, 20.0d [Mar, 1pick=1pad] (Maroon)	1

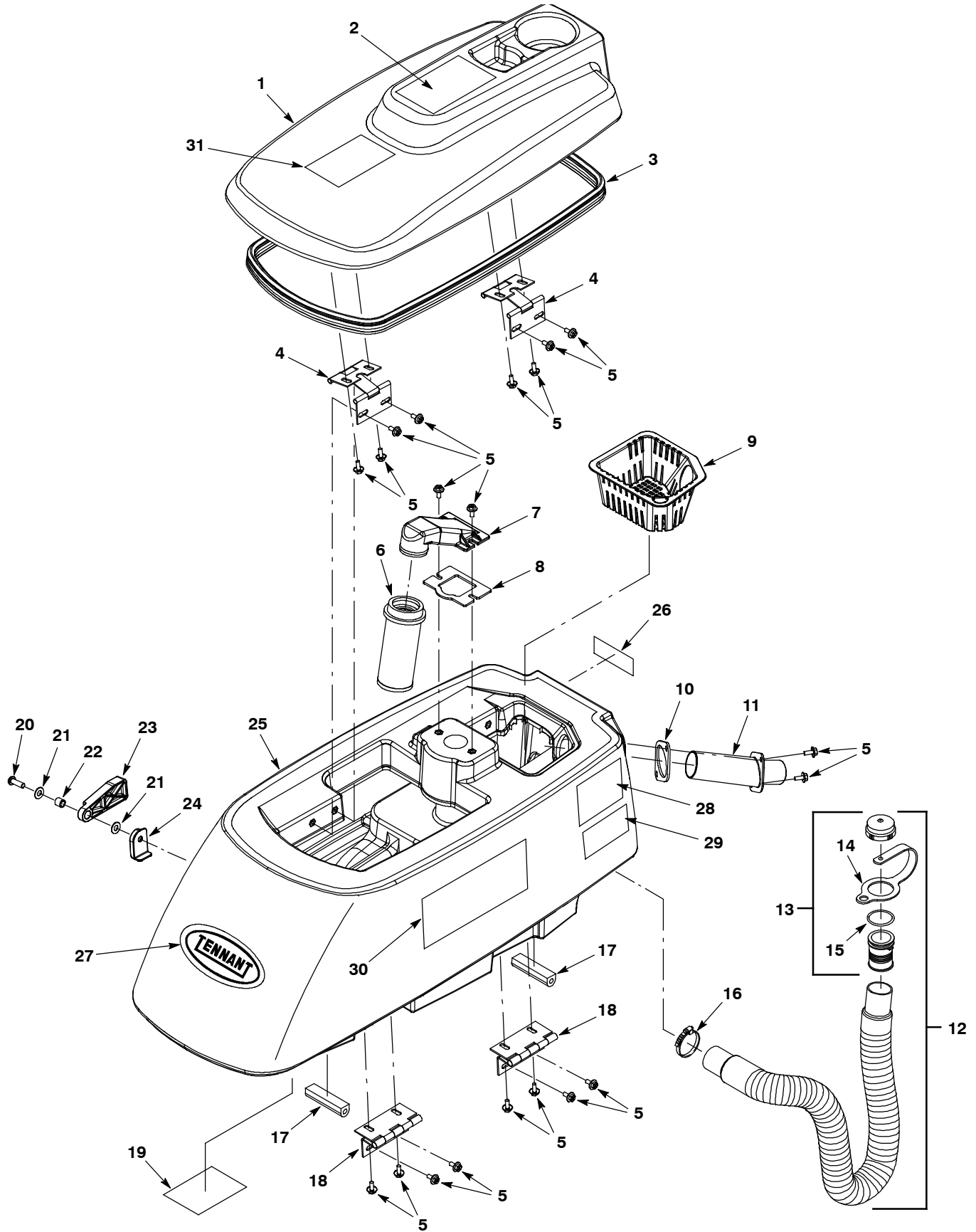
REPLACEMENT BRUSH AND PAD DRIVER GROUP, 60 CM MODEL



REPLACEMENT BRUSH AND PAD DRIVER GROUP, 60 CM MODEL

Ref.	Part No.	Serial Number	Description	Qty.
1	1063297	(10477736-) Brush Assy, Disk, Scb, 12.0d, 3- Lug, Abr (Gray- Abrasive)	2
1	1056306	(10477736-) Brush Assy, Disk, Scb, 12.0d, 3- Lug, Nyl (White- Soft Nylon)	2
1	1056313	(10477736-) Brush Assy, Disk, Scb, 12.0d, 3- Lug, Pyp (Black- Polypropylene)	2
2	1055558	(10477736-) Mount, Lug, Pad- Driver [T3]	3
3	1021316	(10477736-) Screw, Flt, Phl, M6 X 1.00 X 35, Ss	3
4	1054856	(10477736-) Driver Assy, Pad, 12", 3- Lug	2
5	1055558	(10477736-) Mount, Lug, Pad- Driver [T3]	3
6	1021316	(10477736-) Screw, Flt, Phl, M6 X 1.00 X 35, Ss	3
7	370095	(10477736-) Device, Centering, Clip On, TI [Gf Pp]	2
8	04403	(10477736-) Screw, Pan, M4 X 0.7 X 25, Ss, NI	3
9	385940	(10477736-) Pad, Polish, 12.0d, White [1pad=1pc]	2
9	385941	(10477736-) Pad, Buff, 12.0d, Red [1pad=1pc]	2
9	385942	(10477736-) Pad, Scb, 12.0d, Blu [1pick = 1 Pad] (Blue)	2
9	385943	(10477736-) Pad, Stripping, 12.0d, Brown [1pad=1pc]	2
9	1063334	(10477736-) Pad, Stripping, 12.0d [Hi- Prod] Blk (Black)	2
9	1051020	(10477736-) Pad, Surf Prep, 12.0d [Mar, 1pick=1pad] (Maroon)	2

RECOVERY TANK GROUP



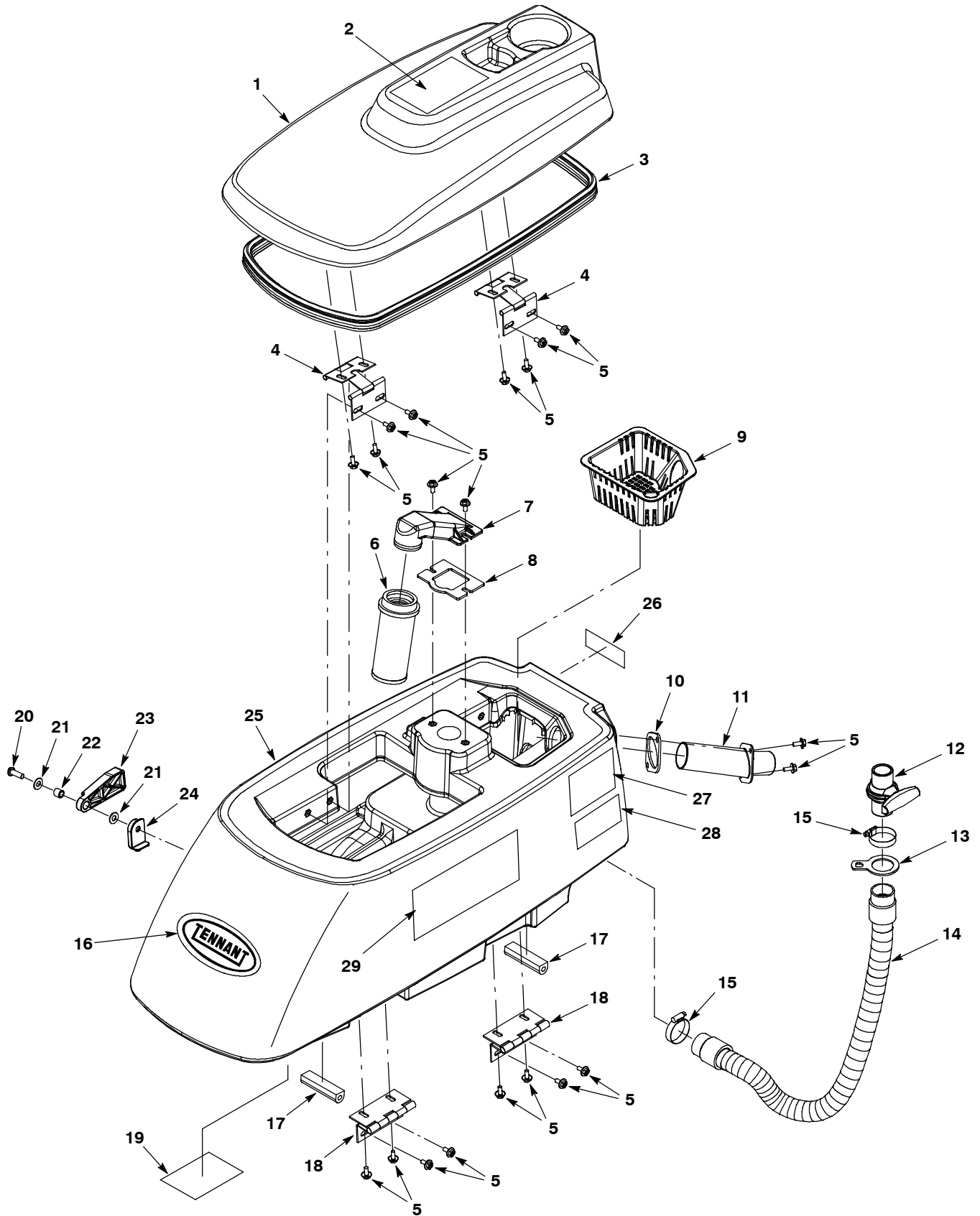
RECOVERY TANK GROUP

Ref.	Part No.	Serial Number	Description	Qty.
▽	1	9004046	(10477736-) Cover, Tank, Recvy, Afmkt [T3]	1
▲	2	1036679	(10477736-) Label, Warning [Exp,Fre,Shk En/Fr/Es/Jp]	1
▲	3	1022797	(10477736-) Seal, Bulb, Str, .295grv, 66.93l	1
	4	1021246	(10477736-) Hinge, 4mm Pin 2.0 75.0mmw, 3 Leaf	2
	5	1034731	(10477736-) Screw, Hex, M6 X 1.00 X 16, Sems, Ss	20
	6	630052	(10477736-) Float, Shut- Off, (2)Ball, 1.75d	1
	7	1011777	(10477736-) Mount, Float, Mold	1
	8	1013628	(10477736-) Gasket, Mtg, Float, .125th, Neo, Adh	1
	9	1036757	(10477736-) Tray, Debris	1
	10	1037106	(10477736-) Gasket, Adapter, Hose .13, Neo	1
	11	1037064	(10477736-) Tube, Hose, Adapter, 1.5d	1
▽	12	1043538	(10477736-) Hose Assy, Drain, 1.50id X 29.5l, Blk	1
▲▽	13	1008639	(10477736-) Cap, Drain Assy	1
▲▲	14	1019563	(10477736-) Strap, Cap, Drain	1
▲▲	15	1008637	(10477736-) Seal, Org, 1.48id 1.76od	1
	16	11531	(10477736-) Clamp, Hose, Wormdrive, 1.06- 2.00d, .56w	1
	17	630368	(10477736-) Seal, .75, .75w 25.6l, Adh [D Shape]	1
	18	1012540	(10477736-) Hinge, 6mm Pin 2.5 73.5mmw 100mml, Bent	2
	19	1014154	(10477736-) Label, Instr, Battery [T3]	1
	20	1039118	(10477736-) Screw, Btn, M8 X 1.25 X 30, Blk	1
	21	140027	(10477736-) Washer, Flat, 0.35b 0.75d .04, Ss	2
	22	222460	(10477736-) Sleeve, P/M, 0.31b 0.50d 0.5l [430ss]	1
	23	1022399	(10477736-) Support, Tank, Prop, Blk, Nyl	1
	24	1022904	(10477736-) Bracket, Sppt, Stop, Blk, Nyl	1
	25	9004045	(10477736-) Tank, Recvy, Afmkt [T3] (Teal)	1
	25	9004882	(10477736-) Tank, Recvy, Afmkt Hg [T3] (Gray)	1
	26	391451	(10477736-) Label [Attention Fast Users, 5400s] (Fast Model)	1
	26	1050003	(10477736-) Label, User, Attention, Ec- H2o (ec-H2O Model)	1
	27	1047746	(10477736-) Label, Logo, 06.9l, White, [Tennant] (Teal)	1
	27	1047747	(10477736-) Label, Logo, 06.9l, White, Hg, [Tennant] (Gray)	1
	28	1056317	(10477736-) Label, Side [T3]	2
	28	1061339	(10477736-) Label, Side, [T3+]	2
	29	1062814	(10525603-) Label, Logo, 06.1l White / TI [Fast]	2
	30	1062813	(10525603-) Label, Logo, 12.3l 4color [Ec- H2o]	2
	31	1071570	(10610512-) Label, Instr, Ec- H2o, 4.0x6.50	1

▽ ASSEMBLY

▲ INCLUDED IN ASSEMBLY

RECOVERY TANK GROUP
(JAPAN MARKET)



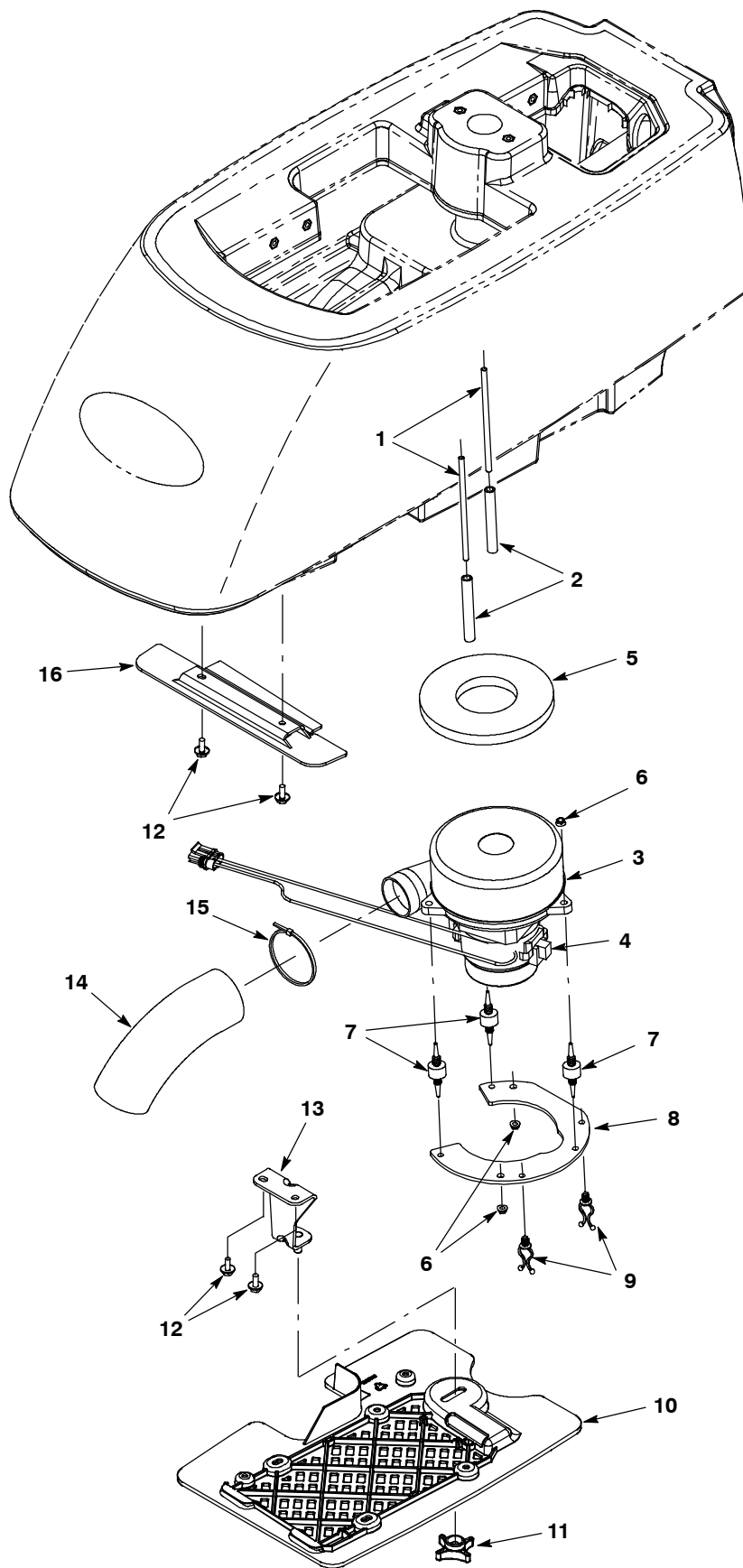
**RECOVERY TANK GROUP
(JAPAN MARKET)**

	Ref.	Part No.	Serial Number	Description	Qty.
▽	1	9004046	(10477736-) Cover, Tank, Recvy, Afmkt [T3]	1
▲	2	1036679	(10477736-) Label, Warning [Exp,Fre,Shk En/Fr/Es/Jp]	1
▲	3	1022797	(10477736-) Seal, Bulb, Str, .295grv, 66.93l	1
	4	1021246	(10477736-) Hinge, 4mm Pin 2.0 75.0mmw, 3 Leaf	2
	5	1034731	(10477736-) Screw, Hex, M6 X 1.00 X 16, Sems, Ss	20
	6	630052	(10477736-) Float, Shut- Off, (2)Ball, 1.75d	1
	7	1011777	(10477736-) Mount, Float, Mold	1
	8	1013628	(10477736-) Gasket, Mtg, Float, .125th, Neo, Adh	1
	9	1036757	(10477736-) Tray, Debris	1
	10	1037106	(10477736-) Gasket, Adapter, Hose .13, Neo	1
	11	1037064	(10477736-) Tube, Hose, Adapter, 1.5d	1
	12	1051986	(10477736-) Valve, Hose, Drain	1
	13	1051504	(10477736-) Strap, Hose, Drain	1
	14	1051438	(10477736-) Hose, Drain, 1.50id X 19.3l, Blk [Japan Market]	1
	15	11531	(10477736-) Clamp, Hose, Wormdrive, 1.06- 2.00d, .56w	2
	16	1047746	(10477736-) Label, Logo, 06.9l, White, [Tennant] (Teal)	1
	17	630368	(10477736-) Seal, .75, .75w 25.6l, Adh [D Shape]	1
	18	1012540	(10477736-) Hinge, 6mm Pin 2.5 73.5mmw 100mml, Bent	2
	19	1014154	(10477736-) Label, Instr, Battery [T3]	1
	20	1039118	(10477736-) Screw, Btn, M8 X 1.25 X 30, Blk	1
	21	140027	(10477736-) Washer, Flat, 0.35b 0.75d .04, Ss	2
	22	222460	(10477736-) Sleeve, P/M, 0.31b 0.50d 0.5l [430ss]	1
	23	1022399	(10477736-) Support, Tank, Prop, Blk, Nyl	1
	24	1022904	(10477736-) Bracket, Sppt, Stop, Blk, Nyl	1
	25	9004045	(10477736-) Tank, Recvy, Afmkt [T3] (Teal)	1
	26	391451	(10477736-) Label [Attention Fast Users, 5400s] (Fast Model)	1
	26	1050003	(10477736-) Label, User, Attention, Ec- H2o (ec-H2O Model)	1
	27	1056317	(10477736-) Label, Side [T3]	2
	27	1061339	(10477736-) Label, Side, [T3+]	2
	28	1062814	(10525603-) Label, Logo, 06.1l White / TI [Fast]	2
	29	1062813	(10525603-) Label, Logo, 12.3l 4color [Ec- H2o]	2

▽ ASSEMBLY

▲ INCLUDED IN ASSEMBLY

VACUUM FAN GROUP



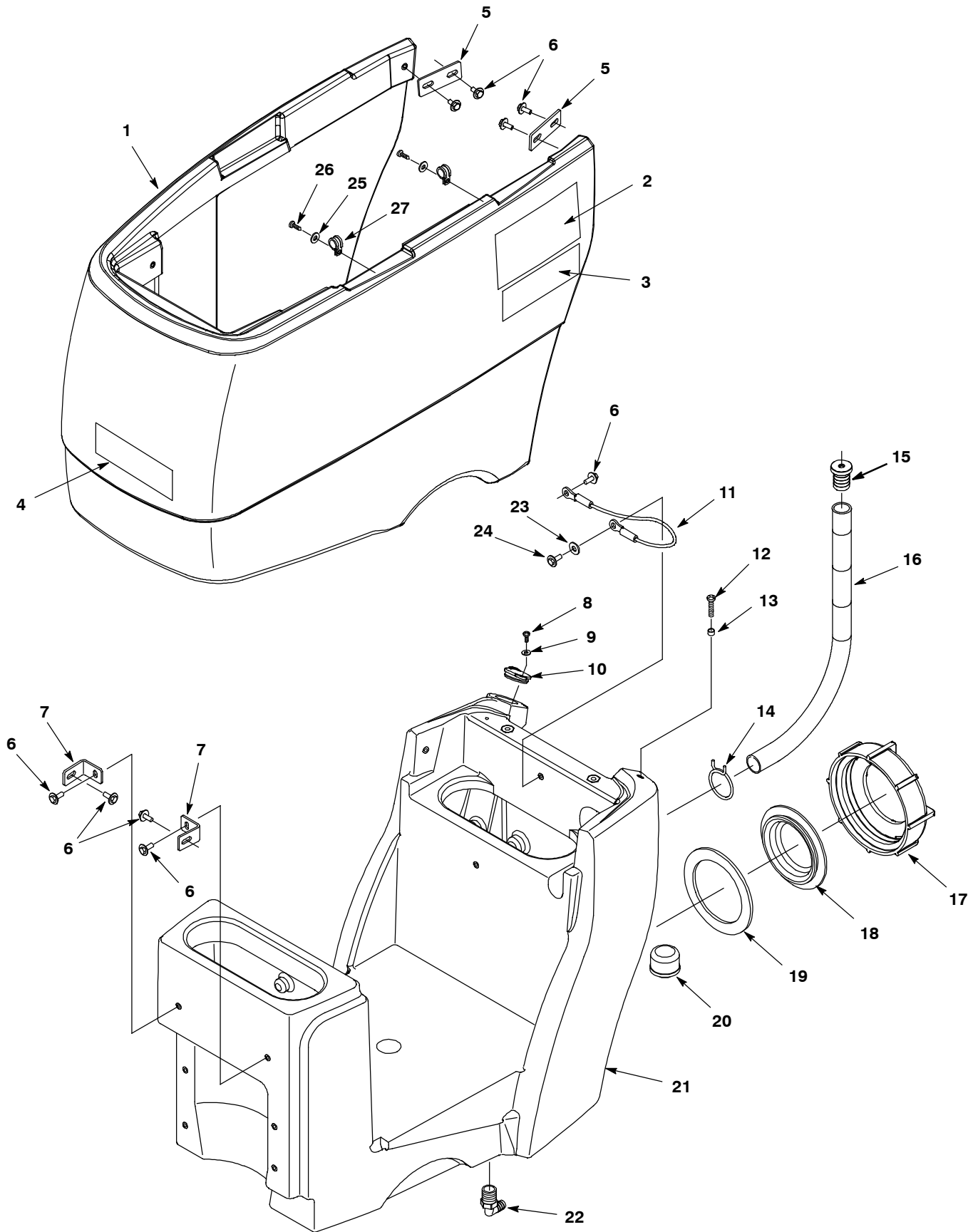
VACUUM FAN GROUP

Ref.	Part No.	Serial Number	Description	Qty.
1	1015412	(10477736-) Rod, Thrd, Full, M06 X 1.0 05.5l	2
2	1024575	(10477736-) Tube, 0.28id 0.43od 03.3l, PI	2
▽	3	1023271	(10477736-) Fan, Vacuum, 5.7d, 024vdc, 2 Stage [Bpt] (Standard NA Only - All Other Markets Use Kit 9011043)	1
▲	4	372883	(10477736-) Vr, Brush Kit, Motor, Ele (1 Pkg = 2 Pcs)	1
5	100038	(10477736-) Gasket, .50, 02.63id 05.75od, Adh [Epdm]	1
▽	3	9011043	(10655630-) Motor Kit, Vacuum, 24vdc [T3e] (High Performance) (Standard All Markets Except NA)	1
▲	4	372883	(10477736-) Vr, Brush Kit, Motor, Ele (1 Pkg = 2 Pcs)	1
▲	5	100038	(10477736-) Gasket, .50, 02.63id 05.75od, Adh [Epdm]	1
6	1040381	(10477736-) Nut, Hex, Flng, M6 X 1.0, Ss [Serrated]	2
7	1062016	(10477736-) Isolator, Vib, .75d	3
8	1041779	(10477736-) Bracket, Mtg, Vacuum	1
9	30406	(10477736-) Clip, Keeper	2
10	1037849	(10477736-) Cover, Charger	1
11	1010558	(10477736-) Knob, Star, 2.00d 4ear 0.7l M8x1.25,Thru	1
12	1034731	(10477736-) Screw, Hex, M6 X 1.00 X 16, Sems, Ss	4
13	1038222	(10477736-) Bracket, Wldt, Charger Cover	1
14	1068577	(10477736-) Muffler, Exhaust, Vacfan, 150mml [T2/T3]	1
15	130773	(10477736-) Tie, Cable, Nyl, 11.0l, .14w, 3.0 Max. D	1
16	1037905	(10477736-) Bracket, Catch, Cover [Raptor]	1

▽ ASSEMBLY

▲ INCLUDED IN ASSEMBLY

SOLUTION TANK GROUP



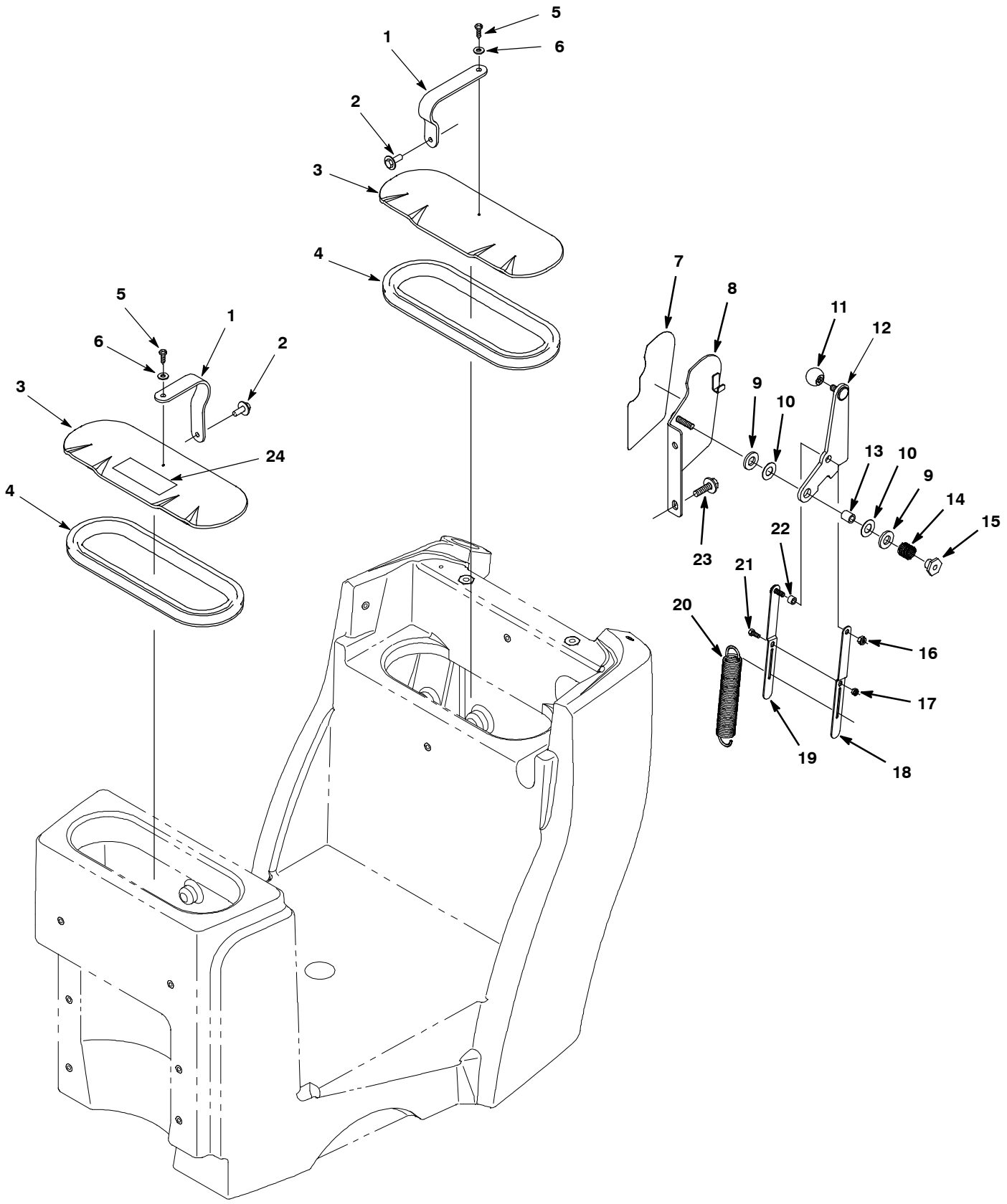
SOLUTION TANK GROUP

Ref.	Part No.	Serial Number	Description	Qty.	
1	1037658	(10477736-) Shroud, Front, Afmkt, Rm- Teal (Standard & Fast Model)	1	
1	1046674	(10477736-) Shroud, Front, Afmkt, Rm- Teal (ec-H2O Model)	1	
2	1056317	(10477736-) Label, Side [T3]	2	
2	1061339	(10477736-) Label, Side [T3+] (60cm Model)	2	
2	1056544	(10477736- 10525602) Label, Side [T3 Fast] (Rpld by 1056317 & 1062814)	2	
3	1062497	(10477736- 10525602) Label, Side, Fast [T3] (60cm Fast Model) (Rpld by 1062814)	2	
3	1050001	(10477736- 10525602) Label, Side, Ec- H2o [T3/T3e/T5/T7] (Rpld by 1062813)	2	
4	1050001	(10477736- 10525602) Label, Side, Ec- H2o [T3/T3e/T5/T7] (Rpld by 1062813)	1	
▽	1	1037659	(10477736-) Shroud, Front, Afmkt, Rm- Gray (Standard & Fast Model)	1
▲	2	1016625	(10477736-) Label, Side [T3]	2
▲	2	1016626	(10477736-) Label, Side [T3 Fast]	2
▽	1	1046675	(10477736-) Shroud, Front, Afmkt, Rm- Gray (ec-H2O Model)	1
▲	2	1016625	(10477736-) Label, Side [T3]	2
▲	3	1050002	(10477736-) Label, Side, Ec- H2o [T3/T5/T7 Gray]	2
▲	4	1050002	(10477736-) Label, Side, Ec- H2o [T3/T5/T7 Gray]	1
5	1012614	(10477736-) Bracket, Attmnt, Shrd	2	
6	1034731	(10477736-) Screw, Hex, M6 X 1.00 X 16, Ss, Sems	10	
7	1012544	(10477736-) Bracket, Sppt, Shrd	2	
8	1018155	(10477736-) Screw, Pan, M5 X 0.8 X16, Ss, Tcut	1	
9	01683	(10477736-) Washer, Flat, 0.22b 0.50d .05, Ss [#10]	1	
10	1012965	(10477736-) Cap, Port, Soltn Fill	1	
11	140960	(10477736-) Cable, Glv .13d 014.5l .34eye /.34eye	1	
12	608322	(10477736-) Screw, Trs, M6 X 1.00 X 16, Phl, Ss	1	
13	140154	(10477736-) Sleeve, P/M, 0.25b 0.38d 0.3l, Pl	1	
14	608915	(10477736-) Clamp, Hose, Wir, 1.03 - 1.09	1	
15	1035469	(10477736-) Fitting, Plastic, Bm12 [Sight Tube]	1	
16	1011721	(10477736-) Hose, Drain, 0.75id X 25.6l, Vyl	1	
17	1014001	(10477736-) Cap, Tank, Drain, Thrdr	1	
18	1014029	(10477736-) Plug, Cap, Gray	1	
19	375206	(10477736-) Gasket, 4.05id 5.47od .19, Neo	1	
20	1015522	(10477736-) Filter, Screen, 080 Mesh, Ss, Pf08	1	
21	1018741	(10477736-) Tank, Soltn, Afmkt [T3]	1	
22	1013505	(10477736-) Fitting, Plstc, E90, Bm08/Pm08, Nyl	1	
23	01684	(10477736-) Washer, Flat, 0.27b 0.69d .05, Ss	1	
24	11329	(10477736-) Screw, Hex, M6 X 1.00 X 16, Ni, Ss	1	
25	01683	(10477736-) Washer, Flat, 10, Ss (Australian Model)	2	
26	1018155	(10477736-) Screw, Pan, M5 X 0.8 X16, Ss, Tcut	2	
27	1016354	(10477736-) Clamp, Cable, Ss, 0.50d X 0.50w [Insul]	2	
27	140314	(10477736-) Clamp, Cable, Stl, 0.75d X 0.75w, 1 Hole (Australian Model)	2	

▽ ASSEMBLY

▲ INCLUDED IN ASSEMBLY

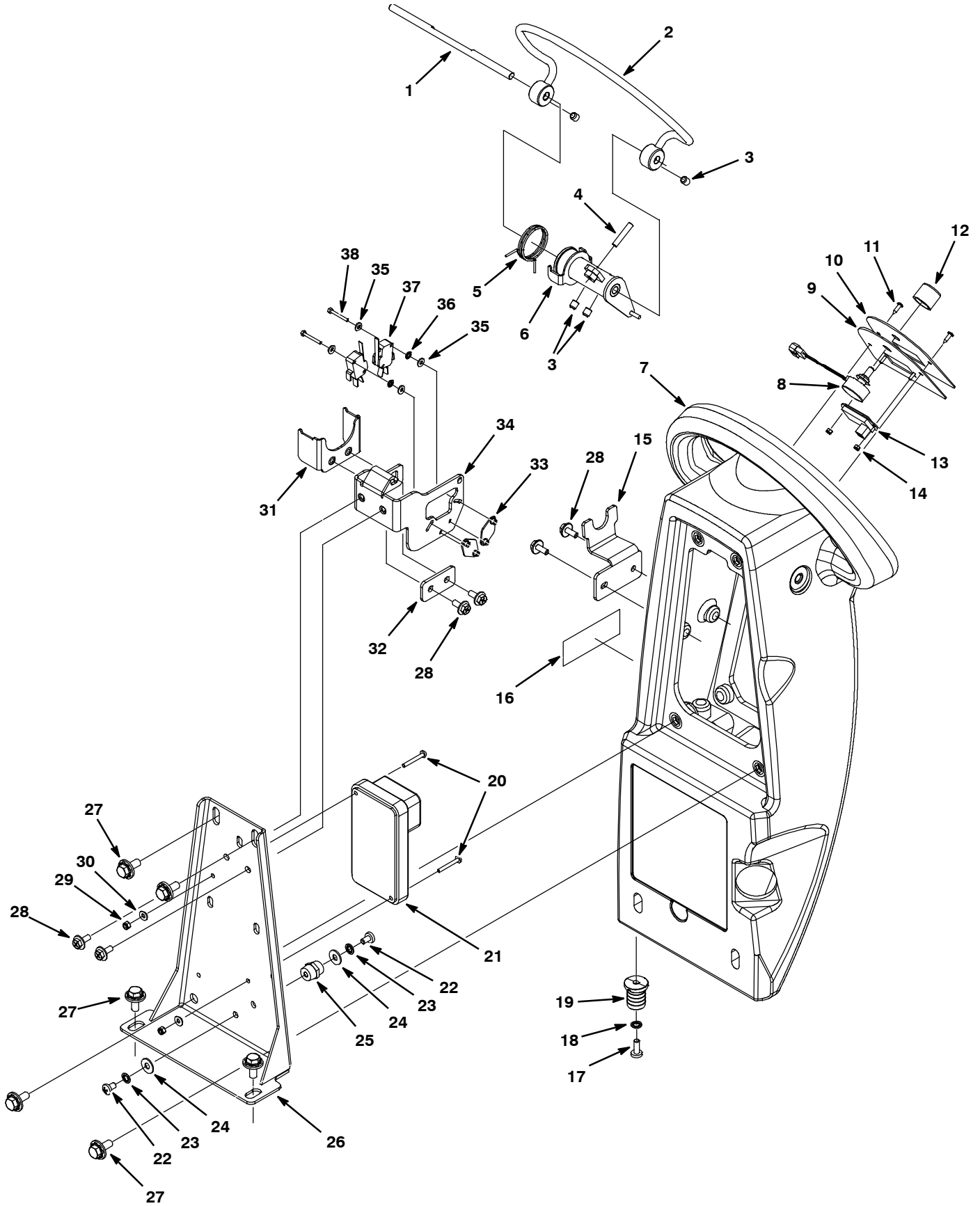
SOLUTION TANK GROUP - CONT'D



SOLUTION TANK GROUP - CONT'D

Ref.	Part No.	Serial Number	Description	Qty.
1	1013768	(10477736-) Strap, Retaining, 20mm X 159mm X 3.2,Blk	2
2	1034731	(10477736-) Screw, Hex, M6 X 1.00 X 16, Ss, Sems	2
3	1011585	(10477736-) Cover, Tank, Soltn	2
4	1017251	(10477736-) Seal, Bulb, 90, 0.49d .08- .09grip 022.2l	2
5	1018155	(10477736-) Screw, Pan, M5 X 0.8 X16, Ss, Tcut	2
6	01683	(10477736-) Washer, Flat, 0.22b 0.50d .05, Ss [#10]	2
7	1018389	(10477736-) Label, Lever, Dual Down Press	1
8	1018020	(10477736-) Bracket Wldt, Mtg, Dual Dp Lever [T3]	1
9	140127	(10477736-) Bearing, Thrust, 0.51b 1.00d 0.12w, Brz	2
10	89710	(10477736-) Washer, Flat, 0.51b 1.00d .03, Nyl	2
11	1017156	(10477736-) Knob, Ball, M8 Insert, 40mmd, Plstc	1
12	1017493	(10477736-) Lever, Lift, Dual Down Press	1
13	1014336	(10477736-) Sleeve, P/M, 8.40b 12.60d 14.5l, PI	1
14	1018756	(10477736-) Spring, Cmpr, 0.70od .08wir 00.7l, PI,Mw	1
15	1018181	(10477736-) Retainer, Spring, Lever	1
16	08708	(10477736-) Nut, Hex, Lock, M6 X 1.00, NI	1
17	09739	(10477736-) Nut, Hex, Lock, M5 X 0.80, NI, Ss	1
18	1017805	(10477736-) Link, Spring, Lever	1
19	1017882	(10477736-) Link Wldt, Spring, Lever	1
20	1031783	(10477736-) Spring, Extn, 1.00od 0.12wir 06.3l	1
21	09738	(10477736-) Screw, Hex, M5 X 0.8 X 12, Ss	1
22	1017884	(10477736-) Bushing, Sleeve, 6mmb 10mmd 7mml	1
23	1020341	(10477736-) Screw, Hex, M8 X 1.25 X 20, Ss, Sems Sq	2
24	391451	(10477736-) Label [Attention Fast Users, 5400s] (Fast Model)	1
24	1050003	(10477736-) Label, User, Attention, Ec- H2o (ec-H2O Model)	1

CONTROL CONSOLE GROUP, DRIVE MODEL



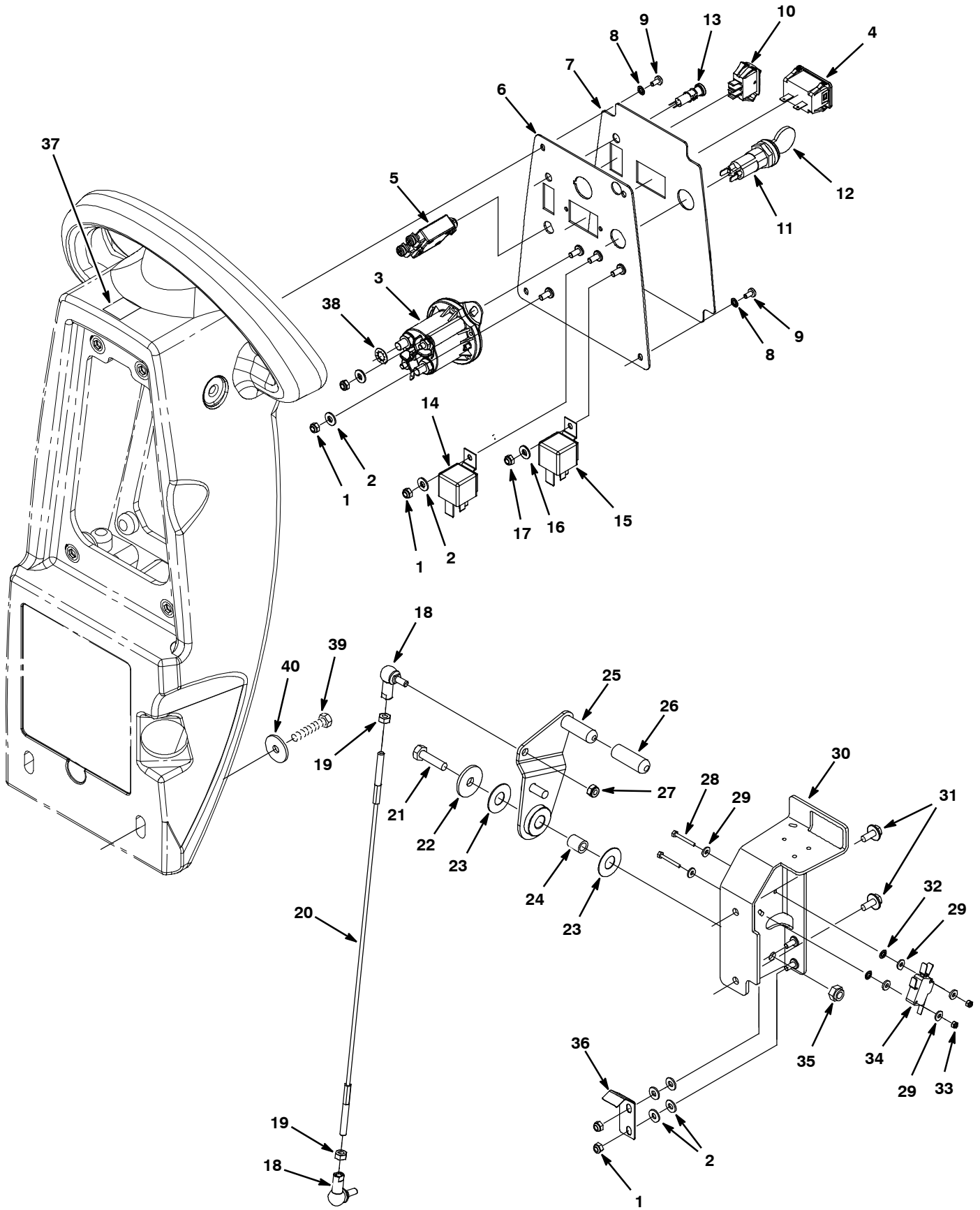
CONTROL CONSOLE GROUP, DRIVE MODEL

Ref.	Part No.	Serial Number	Description	Qty.
1	1013342	(10477736-) Shaft, Actuator, Forward / Reverse	1
2	1013363	(10477736-) Lever Wldt, Bail, Console	1
3	1015578	(10477736-) Screw, Set, M8 X 1.25 X 8, Ss, NI[Cuppt]	4
4	1018559	(10477736-) Screw, Set, M6 X 1.00 X 30, Ss [Fltpt]	1
5	630088	(10477736-) Spring, Tors, Cntr, .072, Pl, Mw	1
6	1013381	(10477736-) Collar Wldt, Actuator, Console	1
7	1018745	(10477736-) Housing, Cntrl, Afmkt [T3]	1
8	1042687	(10477736-) Harness, Pot, Wire Assy [45k Ohm]	1
9	1011707	(10477736-) Panel, Cntrl, Upper	1
10	1014157	(10477736-) Label, Opertnl, Upper, Propel [Tt]	1
11	140825	(10477736-) Screw, Pan, Phl, 06 X 0.50, Fmg/Ab, Blk	2
12	606550	(10477736-) Knob, Rnd, 0.92d 0.76l 0.25b, Plstc	1
13	392894	(10477736-) Gauge, Discharge, Battery, 36vdc, Rt,Led	1
14	579211	(10477736-) Nut, Hex, Lock, M3 X 0.50, NI, Ss	2
15	1057445	(10477736-) Bracket, Sqge, Retainer	1
16	391451	(10477736-) Label [Attention Fast Users, 5400s]	1
16	1050003	(10477736-) Label, User, Attention, Ec- H2o	1
17	367770	(10477736-) Screw, Pan, Phl, M6 X 1.00 X 16, Ss	1
18	07515	(10477736-) Washer, Lock, Int, 0.25, Ss	1
19	1035469	(10477736-) Fitting, Plstc, Bm12 [Sight Tube]	1
20	33931	(10477736-) Screw, Pan, Phl, M4 X 0.70 X 30, Ss	2
21	1052260	(10477736-) Module, Drive [T3]	1
22	48732	(10477736-) Screw, Pan, Phl, M6 X 1.00 X 10, Ss	2
23	07515	(10477736-) Washer, Lock, Int, 0.25, Ss	2
24	01684	(10477736-) Washer, Flat, 0.27b 0.69d .05, Ss	2
25	1013523	(10477736-) Stand- Off, Wir, M6, 18 Hex, 20l, Insul	1
26	1054129	(10477736-) Bracket, Hsng, Cntrl, Alm [T3, Ss3]	1
27	1020341	(10477736-) Screw, Hex, M8 X 1.25 X 20, Ss, Sems	6
28	1034731	(10477736-) Screw, Hex, M6 X 1.00 X 16, Sems, Ss	6
29	33932	(10477736-) Nut, Hex, Lock, M4 X 0.70, NI, Ss	2
30	41579	(10477736-) Washer, Flat, 08, Ss	2
31	1015570	(10477736-) Bracket, Spring, Balancer, Bail	1
32	1015826	(10477736-) Plate, Screw, Bail	1
33	1013705	(10477736-) Plate, Thread, Switch, M3 Nut, 96hr PI	2
34	1013364	(10477736-) Bracket, Switch, Bail	1
35	41578	(10477736-) Washer, Flat, 06, Ss	8
36	02938	(10477736-) Washer, Lock, Int, 08, Ss	4
37	1012568	(10477736-) Switch, Snap, 10a, Short	2
38	1042062	(10477736-) Screw, Hex, M3 X 0.5 X 25, Ss	4

▽ ASSEMBLY

▲ INCLUDED IN ASSEMBLY

COMPONENT PANEL GROUP, DRIVE MODEL (S/N JUN2014 -)



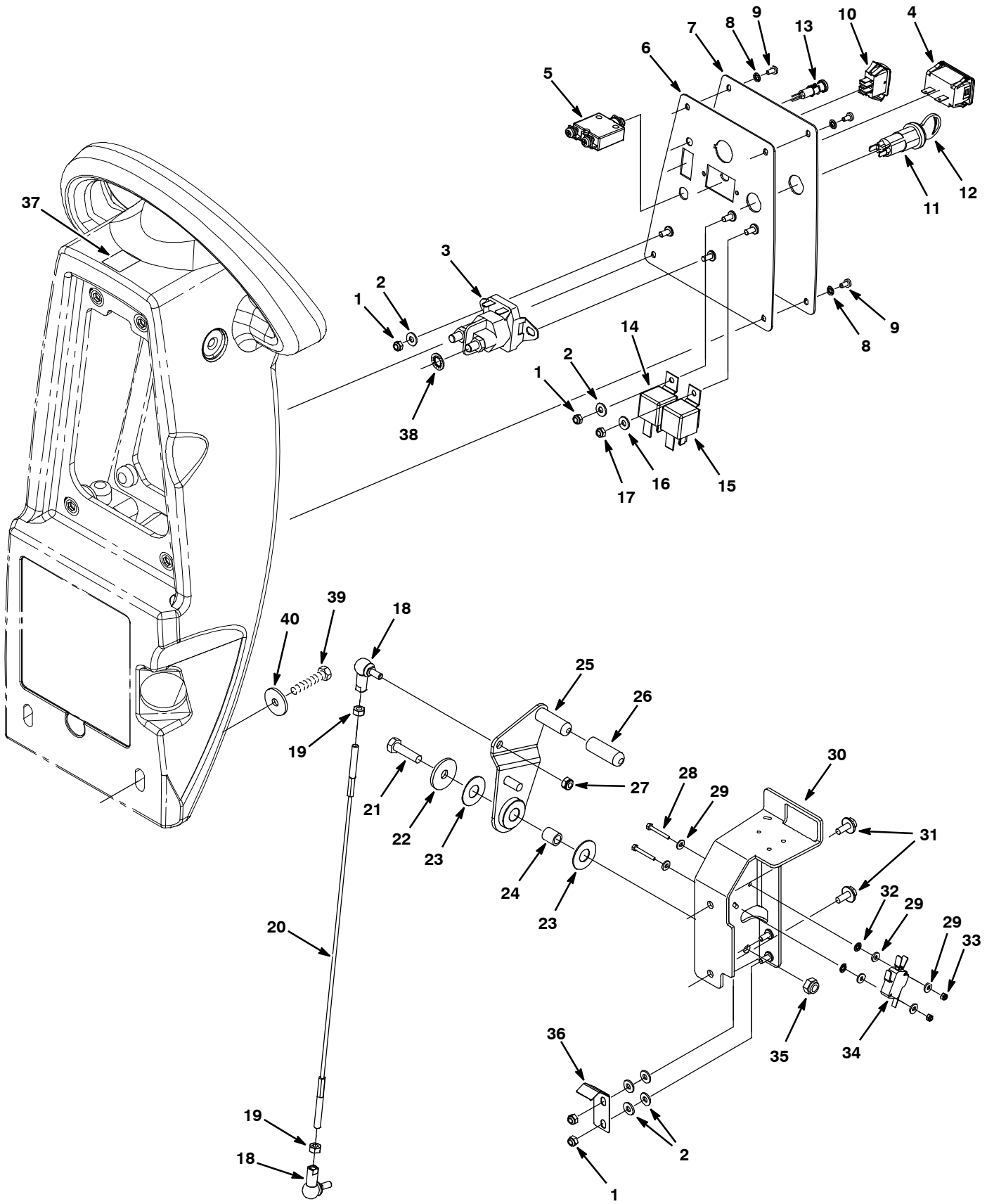
COMPONENT PANEL GROUP, DRIVE MODEL (S/N JUN2014 -)

Ref.	Part No.	Serial Number	Description	Qty.	
1	09739	(10477736-) Nut, Hex, Lock, M5 X 0.80, NI, Ss	5	
2	01683	(10477736-) Washer, Flat, 10, Ss	7	
3	1066409	(JUN2014-) Relay, 24vdc, 150a, No [Trombetta]	1	
4	1064038	(10477736-) Gauge, Hourmeter, 05- 277 Volt, Ac / Dc	1	
5	1057902	(10477736-) Circuitbreaker, 35.0a	1	
6	1072584	(JUN2014-) Panel, Instmt, Lower [T3]	1	
7	1074023	(JUN2014-) Label, Panl, Instmt, Lower [T3/T3e/Ss3] (Standard & Fast Model)	1	
7	1074016	(JUN2014-) Label, Opertnl, Panl [T3 Ec- H2o, Na/Aej] (ec- H2O Model)	1	
8	02938	(10477736-) Washer, Lock, Int, 08, Ss	4	
9	391403	(10477736-) Screw, Pan, Phl, M4 X 0.70 X 8, Ss	4	
10	130787	(10477736-) Switch, Rocker, Spdt (Fast & ec-H2O Model)	1	
▽	11	1011402	(10477736-) Switch, Key	1
▲	12	1017696	(10477736-) Key Set, Replmt [F/ Keyswitch 1011402]	1
13	1041822	(10477736-) Light, Panel, Mgt, .312" Dia. (ec-H2O Model)	1	
14	1012216	(10477736-) Relay, 24vdc, 070a, Spst No, Plug- In	1	
15	1012216	(10477736-) Relay, 24vdc, 070a, Spst No, Plug- In (Fast Model)	1	
16	01683	(10477736-) Washer, Flat, 10, Ss (Fast Model)	1	
17	09739	(10477736-) Nut, Hex, Lock, M5 X 0.80, NI, Ss (Fast Model)	1	
18	1012747	(10477736-) Balljoint, M06 X 1.0 Fem, M06 X 1.0 Mal	2	
19	07785	(10477736-) Nut, Hex, Std, M6 X 1.00, Ss	2	
20	1013479	(10477736-) Cable, Glv 3.18mmd 0422l M6/ M6	1	
21	09011	(10477736-) Screw, Hex, M8 X 1.25 X 30, Ss	1	
22	1016331	(10477736-) Washer, Flat, 0.34b 1.25d .11, Ss	1	
23	1013397	(10477736-) Washer, Flat, M13 X 30 X 0.8, Nyl	2	
24	1014336	(10477736-) Sleeve, P/M, 8.40b 12.60d 14.5l, PI	1	
25	1013329	(10477736-) Lever Wldt, Sqge	1	
26	1016895	(10477736-) Cap, Handle, Sqge Lift	1	
27	08712	(10477736-) Nut, Hex, Lock, M6 X 1.00, NI, Ss	1	
28	1042062	(10477736-) Screw, Hex, M3 X 0.5 X 25, Ss	2	
29	41578	(10477736-) Washer, Flat, 06, Ss	6	
30	1012850	(10477736-) Bracket Wldt, Lever, Sqge	1	
31	1034731	(10477736-) Screw, Hex, M6 X 1.00 X 16, Sems, Ss	2	
32	02938	(10477736-) Washer, Lock, Int, 08, Ss	2	
33	579211	(10477736-) Nut, Hex, Lock, M3 X 0.50, NI, Ss	2	
34	1012568	(10477736-) Switch, Snap, 10a, Short	1	
35	08713	(10477736-) Nut, Hex, Lock, M8 X 1.25, NI, Ss	1	
36	1073852	(10477736-) Spring, Lever, Sqge	1	
37	1016572	(10477736-) Label, Dir	1	
38	43952	(10477736-) Washer, Lock, Int, 0.31, Ss	1	
39	09026	(10477736-) Screw, Hex, M8 X 1.25 X 40, Ss	2	
40	1016331	(10477736-) Washer, Flat, 0.34b 1.25d .11, Ss	2	

▽ ASSEMBLY

▲ INCLUDED IN ASSEMBLY

COMPONENT PANEL GROUP, DRIVE MODEL (S/N 10477736 - MAY2014)



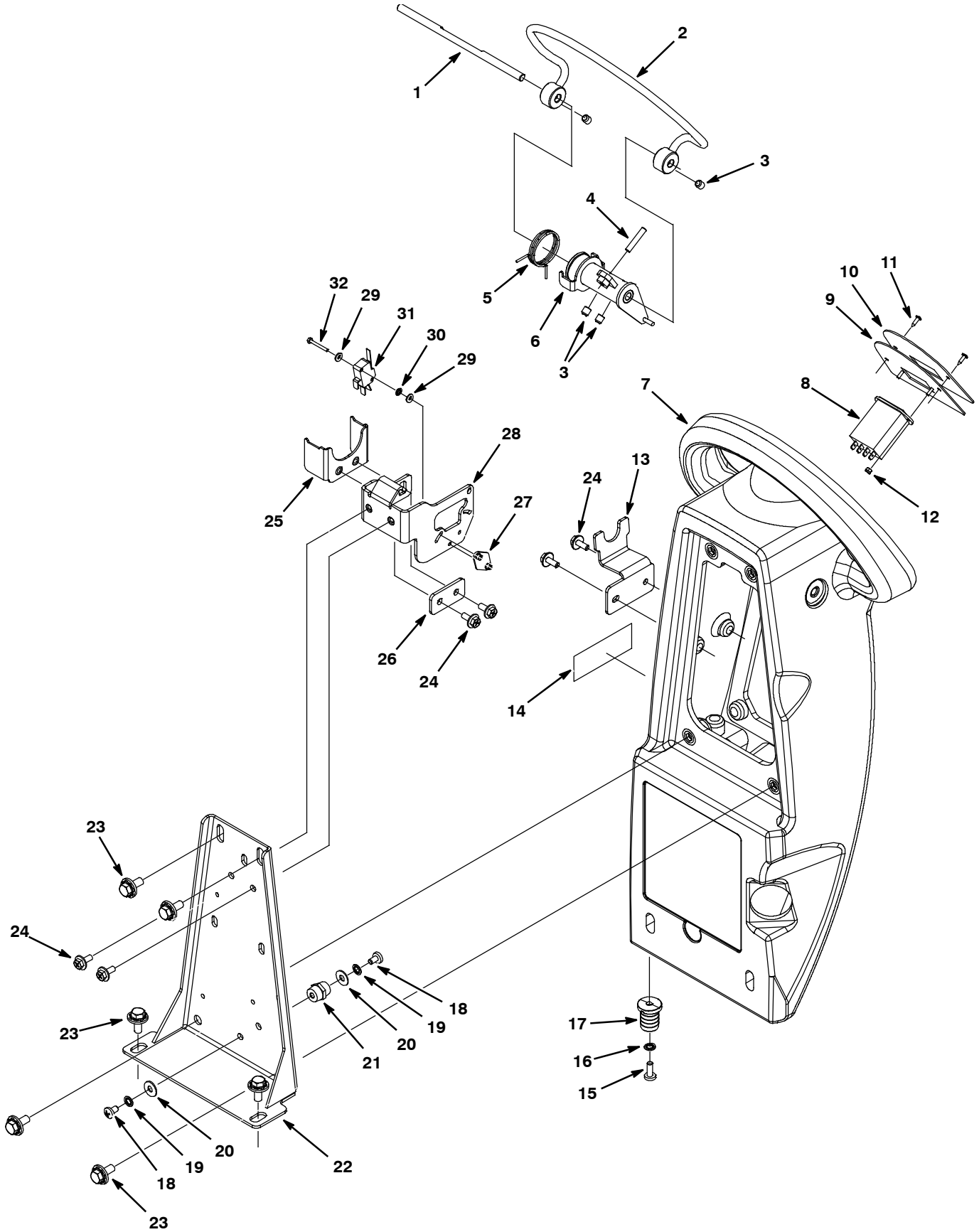
COMPONENT PANEL GROUP, DRIVE MODEL (S/N 10477736 - MAY2014)

Ref.	Part No.	Serial Number	Description	Qty.	
1	09739	(10477736-) Nut, Hex, Lock, M5 X 0.80, NI, Ss	5	
2	01683	(10477736-) Washer, Flat, 10, Ss	7	
3	1038490	(10477736- MAY2014) Relay, 24vdc, 100a, No [Trombetta]	1	
4	1064038	(10477736-) Gauge, Hourmeter, 05- 277 Volt, Ac / Dc	1	
5	1057902	(10477736-) Circuitbreaker, 35.0a	1	
6	1012134	(10477736- MAY2014) Panel, Cntrl, Lower	1	
7	1016628	(10477736- MAY2014) Label, Panl, Instmt, Lower [T3/T3e/Ss3]	1	
7	1049998	(10477736- MAY2014) Label, Console, Lower Ec- H2o [T3 Na/Aej] (ec-H2O Model)	1	
8	02938	(10477736-) Washer, Lock, Int, 08, Ss	4	
9	391403	(10477736-) Screw, Pan, Phl, M4 X 0.70 X 8, Ss	4	
10	130787	(10477736-) Switch, Rocker, Spdt (Fast & ec-H2O Model)	1	
▽	11	1011402	(10477736-) Switch, Key	1
▲	12	1017696	(10477736-) Key Set, Replmt [F/ Keyswitch 1011402]	1
13	1041822	(10477736-) Light, Panel, Mgt, .312" Dia. (ec-H2O Model)	1	
14	1012216	(10477736-) Relay, 24vdc, 070a, Spst No, Plug- In	1	
15	1012216	(10477736-) Relay, 24vdc, 070a, Spst No, Plug- In (Fast Model)	1	
16	01683	(10477736-) Washer, Flat, 10, Ss (Fast Model)	1	
17	09739	(10477736-) Nut, Hex, Lock, M5 X 0.80, NI, Ss (Fast Model)	1	
18	1012747	(10477736-) Balljoint, M06 X 1.0 Fem, M06 X 1.0 Mal	2	
19	07785	(10477736-) Nut, Hex, Std, M6 X 1.00, Ss	2	
20	1013479	(10477736-) Cable, Glv 3.18mmd 0422l M6/ M6	1	
21	09011	(10477736-) Screw, Hex, M8 X 1.25 X 30, Ss	1	
22	1016331	(10477736-) Washer, Flat, 0.34b 1.25d .11, Ss	1	
23	1013397	(10477736-) Washer, Flat, M13 X 30 X 0.8, Nyl	2	
24	1014336	(10477736-) Sleeve, P/M, 8.40b 12.60d 14.5l, PI	1	
25	1013329	(10477736-) Lever Wldt, Sqge	1	
26	1016895	(10477736-) Cap, Handle, Sqge Lift	1	
27	08712	(10477736-) Nut, Hex, Lock, M6 X 1.00, NI, Ss	1	
28	1042062	(10477736-) Screw, Hex, M3 X 0.5 X 25, Ss	2	
29	41578	(10477736-) Washer, Flat, 06, Ss	6	
30	1012850	(10477736-) Bracket Wldt, Lever, Sqge	1	
31	1034731	(10477736-) Screw, Hex, M6 X 1.00 X 16, Sems, Ss	2	
32	02938	(10477736-) Washer, Lock, Int, 08, Ss	2	
33	579211	(10477736-) Nut, Hex, Lock, M3 X 0.50, NI, Ss	2	
34	1012568	(10477736-) Switch, Snap, 10a, Short	1	
35	08713	(10477736-) Nut, Hex, Lock, M8 X 1.25, NI, Ss	1	
36	1073852	(10477736-) Spring, Lever, Sqge	1	
37	1016572	(10477736-) Label, Dir	1	
38	43952	(10477736-) Washer, Lock, Int, 0.31, Ss	1	
39	09026	(10477736-) Screw, Hex, M8 X 1.25 X 40, Ss	2	
40	1016331	(10477736-) Washer, Flat, 0.34b 1.25d .11, Ss	2	

▽ ASSEMBLY

▲ INCLUDED IN ASSEMBLY

CONTROL CONSOLE GROUP, BRUSH ASSIST MODEL



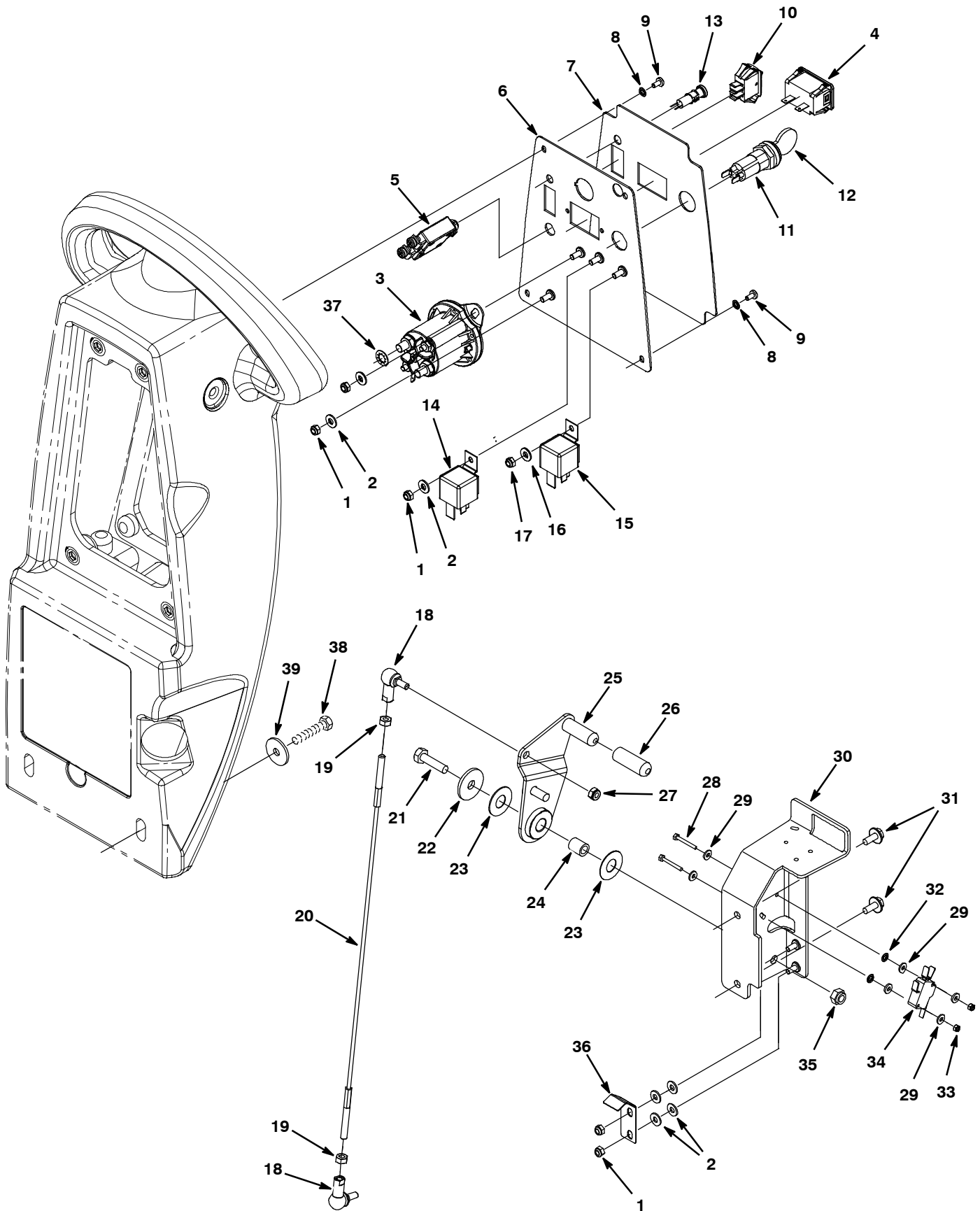
CONTROL CONSOLE GROUP, BRUSH ASSIST MODEL

Ref.	Part No.	Serial Number	Description	Qty.
1	1013342	(10477736-) Shaft, Actuator, Forward / Reverse	1
2	1013363	(10477736-) Lever Wldt, Bail, Console	1
3	1015578	(10477736-) Screw, Set, M8 X 1.25 X 8, Ss, NI[Cuppt]	4
4	1018559	(10477736-) Screw, Set, M6 X 1.00 X 30, Ss [Fltpt]	1
5	630088	(10477736-) Spring, Tors, Cntr, .072, Pl, Mw	1
6	1013381	(10477736-) Collar Wldt, Actuator, Console	1
7	1018745	(10477736-) Housing, Cntrl, Afmkt [T3]	1
8	1057627	(10477736-) Indicator, Battery, 24vdc, 1.73volt/Cell	1
9	1011707	(10477736-) Panel, Cntrl, Upper	1
10	1016755	(10477736-) Label, Opertnl, Upper, Brush Assist	1
11	140825	(10477736-) Screw, Pan, Phl, 06 X 0.50, Fmg/Ab, Blk	2
12	579211	(10477736-) Nut, Hex, Lock, M3 X 0.50, NI, Ss	2
13	1057445	(10477736-) Bracket, Sqge, Retainer	1
14	391451	(10477736-) Label [Attention Fast Users, 5400s]	1
14	1050003	(10477736-) Label, User, Attention, Ec- H2o	1
15	367770	(10477736-) Screw, Pan, Phl, M6 X 1.00 X 16, Ss	1
16	07515	(10477736-) Washer, Lock, Int, 0.25, Ss	1
17	1035469	(10477736-) Fitting, Plstc, Bm12 [Sight Tube]	1
18	48732	(10477736-) Screw, Pan, Phl, M6 X 1.00 X 10, Ss	2
19	07515	(10477736-) Washer, Lock, Int, 0.25, Ss	2
20	01684	(10477736-) Washer, Flat, 0.27b 0.69d .05, Ss	2
21	1013523	(10477736-) Stand- Off, Wir, M6, 18 Hex, 20l, Insul	1
22	1054129	(10477736-) Bracket, Hsng, Cntrl, Alm [T3, Ss3]	1
23	1020341	(10477736-) Screw, Hex, M8 X 1.25 X 20, Ss, Sems	6
24	1034731	(10477736-) Screw, Hex, M6 X 1.00 X 16, Sems, Ss	6
25	1015570	(10477736-) Bracket, Spring, Balancer, Bail	1
26	1015826	(10477736-) Plate, Screw, Bail	1
27	1013705	(10477736-) Plate, Thread, Switch, M3 Nut, 96hr PI	1
28	1013364	(10477736-) Bracket, Switch, Bail	1
29	41578	(10477736-) Washer, Flat, 06, Ss	4
30	02938	(10477736-) Washer, Lock, Int, 08, Ss	2
31	1012568	(10477736-) Switch, Snap, 10a, Short	1
32	1042062	(10477736-) Screw, Hex, M3 X 0.5 X 25, Ss	2

▽ ASSEMBLY

▲ INCLUDED IN ASSEMBLY

COMPONENT PANEL GROUP, BRUSH ASSIST MODEL (S/N JUN2014 -)



COMPONENT PANEL GROUP, BRUSH ASSIST MODEL (S/N JUN2014 -)

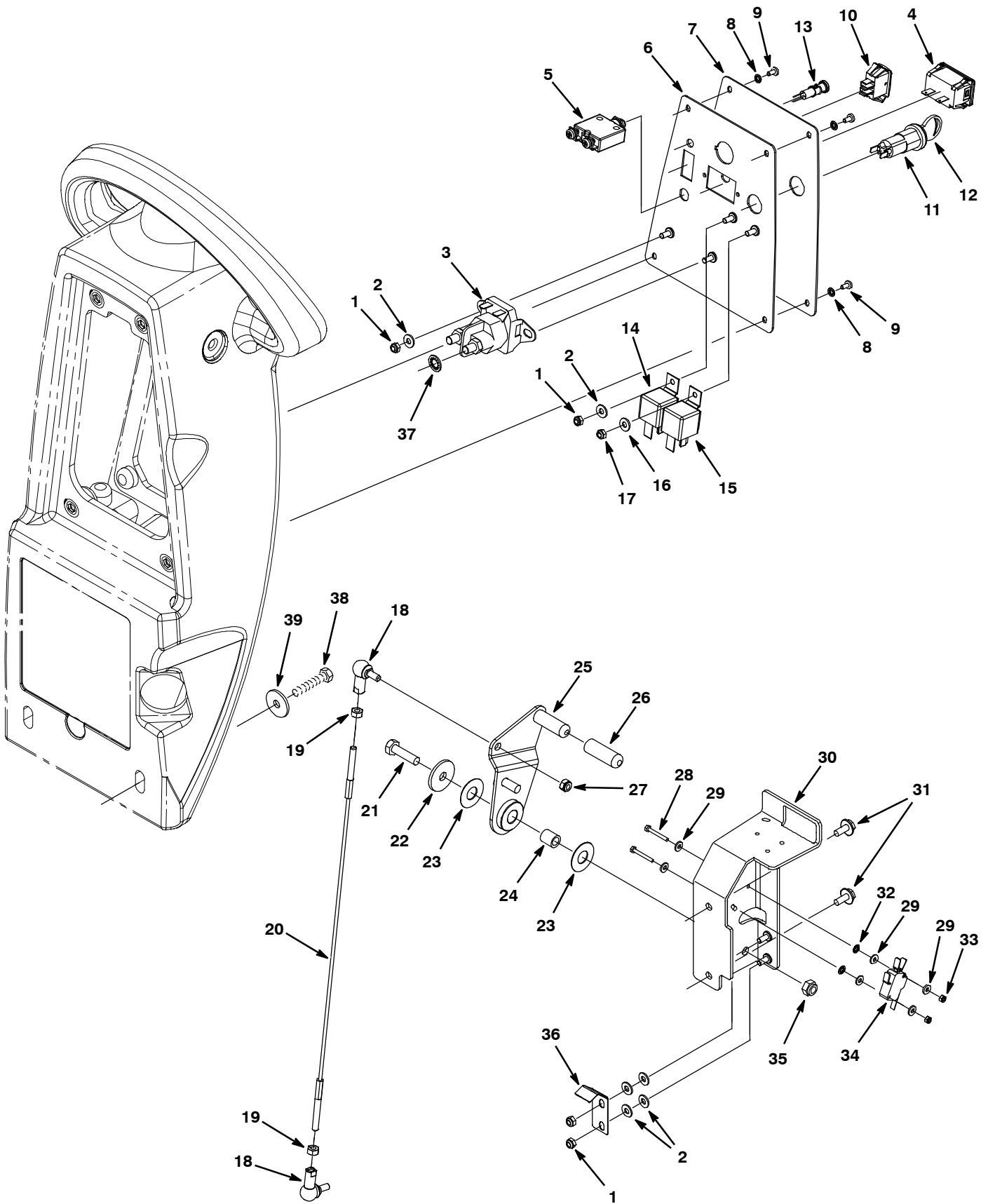
Ref.	Part No.	Serial Number	Description	Qty.	
1	09739	(10477736-) Nut, Hex, Lock, M5 X 0.80, NI, Ss	5	
2	01683	(10477736-) Washer, Flat, 10, Ss	7	
3	1066409	(JUN2014-) Relay, 24vdc, 150a, No [Trombetta]	1	
4	1064038	(10477736-) Gauge, Hourmeter, 05- 277 Volt, Ac / Dc	1	
5	1057902	(10477736-) Circuitbreaker, 35.0a	1	
6	1072584	(JUN2014-) Panel, Instmt, Lower [T3]	1	
7	1074023	(JUN2014-) Label, Panl, Instmt, Lower [T3/T3e/Ss3] (Standard & Fast Model)	1	
7	1074016	(JUN2014-) Label, Opertnl, Panl [T3 Ec- H2o, Na/Aej] (ec- H2O Model)	1	
8	02938	(10477736-) Washer, Lock, Int, 08, Ss	4	
9	391403	(10477736-) Screw, Pan, Phl, M4 X 0.70 X 8, Ss	4	
10	130787	(10477736-) Switch, Rocker, Spdt (Fast & ec-H2O Model)	1	
▽	11	1011402	(10477736-) Switch, Key	1
▲	12	1017696	(10477736-) Key Set, Replmt [F/ Keyswitch 1011402]	1
13	1041822	(10477736-) Light, Panel, Mgt, .312" Dia. (ec-H2O Model)	1	
14	1012216	(10477736-) Relay, 24vdc, 070a, Spst No, Plug- In	1	
15	1012216	(10477736-) Relay, 24vdc, 070a, Spst No, Plug- In (Fast Model)	1	
16	01683	(10477736-) Washer, Flat, 10, Ss (Fast Model)	1	
17	09739	(10477736-) Nut, Hex, Lock, M5 X 0.80, NI, Ss (Fast Model)	1	
18	1012747	(10477736-) Balljoint, M06 X 1.0 Fem, M06 X 1.0 Mal	2	
19	07785	(10477736-) Nut, Hex, Std, M6 X 1.00, Ss	2	
20	1013479	(10477736-) Cable, Glv 3.18mmd 0422l M6/ M6	1	
21	09011	(10477736-) Screw, Hex, M8 X 1.25 X 30, Ss	1	
22	1016331	(10477736-) Washer, Flat, 0.34b 1.25d .11, Ss	1	
23	1013397	(10477736-) Washer, Flat, M13 X 30 X 0.8, Nyl	2	
24	1014336	(10477736-) Sleeve, P/M, 8.40b 12.60d 14.5l, PI	1	
25	1013329	(10477736-) Lever Wldt, Sqge	1	
26	1016895	(10477736-) Cap, Handle, Sqge Lift	1	
27	08712	(10477736-) Nut, Hex, Lock, M6 X 1.00, NI, Ss	1	
28	1042062	(10477736-) Screw, Hex, M3 X 0.5 X 25, Ss	2	
29	41578	(10477736-) Washer, Flat, 06, Ss	6	
30	1012850	(10477736-) Bracket Wldt, Lever, Sqge	1	
31	1034731	(10477736-) Screw, Hex, M6 X 1.00 X 16, Sems, Ss	2	
32	02938	(10477736-) Washer, Lock, Int, 08, Ss	2	
33	579211	(10477736-) Nut, Hex, Lock, M3 X 0.50, NI, Ss	2	
34	1012568	(10477736-) Switch, Snap, 10a, Short	1	
35	08713	(10477736-) Nut, Hex, Lock, M8 X 1.25, NI, Ss	1	
36	1073852	(10477736-) Spring, Lever, Sqge	1	
37	43952	(10477736-) Washer, Lock, Int, 0.31, Ss	1	
38	09026	(10477736-) Screw, Hex, M8 X 1.25 X 40, Ss	2	
39	1016331	(10477736-) Washer, Flat, 0.34b 1.25d .11, Ss	2	

▽ ASSEMBLY

▲ INCLUDED IN ASSEMBLY

STANDARD PARTS

COMPONENT PANEL GROUP, BRUSH ASSIST MODEL (S/N 10477736 - MAY2014)



COMPONENT PANEL GROUP, BRUSH ASSIST MODEL (S/N 10477736 - MAY2014)

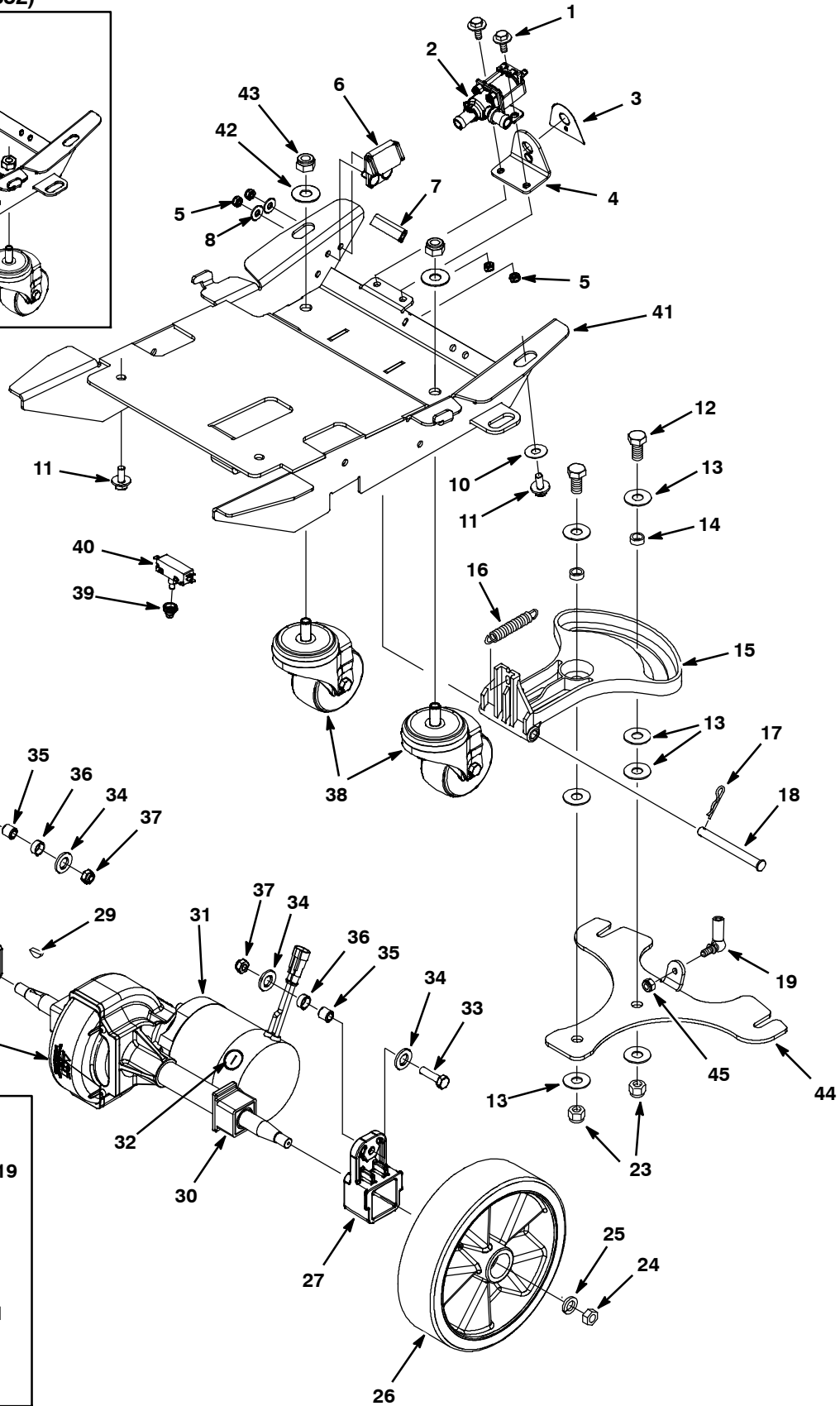
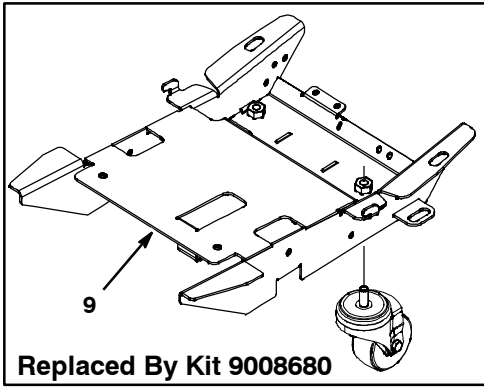
Ref.	Part No.	Serial Number	Description	Qty.	
1	09739	(10477736-) Nut, Hex, Lock, M5 X 0.80, NI, Ss	5	
2	01683	(10477736-) Washer, Flat, 10, Ss	7	
3	1038490	(10477736-) Relay, 24vdc, 100a, No [Trombetta]	1	
4	1064038	(10477736-) Gauge, Hourmeter, 05- 277 Volt, Ac / Dc	1	
5	1057902	(10477736-) Circuitbreaker, 35.0a	1	
6	1012134	(10477736-) Panel, Cntrl, Lower	1	
7	1016628	(10477736-) Label, Panl, Instmt, Lower [T3/T3e/Ss3]	1	
7	1049998	(10477736-) Label, Console, Lower Ec- H2o [T3 Na/Aej] (ec-H2O Model)	1	
8	02938	(10477736-) Washer, Lock, Int, 08, Ss	4	
9	391403	(10477736-) Screw, Pan, Phl, M4 X 0.70 X 8, Ss	4	
10	130787	(10477736-) Switch, Rocker, Spdt (Fast & ec-H2O Model)	1	
▽	11	1011402	(10477736-) Switch, Key	1
▲	12	1017696	(10477736-) Key Set, Replmt [F/ Keyswitch 1011402]	1
13	1041822	(10477736-) Light, Panel, Mgt, .312" Dia. (ec-H2O Model)	1	
14	1012216	(10477736-) Relay, 24vdc, 070a, Spst No, Plug- In	1	
15	1012216	(10477736-) Relay, 24vdc, 070a, Spst No, Plug- In (Fast Model)	1	
16	01683	(10477736-) Washer, Flat, 10, Ss (Fast Model)	1	
17	09739	(10477736-) Nut, Hex, Lock, M5 X 0.80, NI, Ss (Fast Model)	1	
18	1012747	(10477736-) Balljoint, M06 X 1.0 Fem, M06 X 1.0 Mal	2	
19	07785	(10477736-) Nut, Hex, Std, M6 X 1.00, Ss	2	
20	1013479	(10477736-) Cable, Glv 3.18mmd 0422l M6/ M6	1	
21	09011	(10477736-) Screw, Hex, M8 X 1.25 X 30, Ss	1	
22	1016331	(10477736-) Washer, Flat, 0.34b 1.25d .11, Ss	1	
23	1013397	(10477736-) Washer, Flat, M13 X 30 X 0.8, Nyl	2	
24	1014336	(10477736-) Sleeve, P/M, 8.40b 12.60d 14.5l, PI	1	
25	1013329	(10477736-) Lever Wldt, Sqge	1	
26	1016895	(10477736-) Cap, Handle, Sqge Lift	1	
27	08712	(10477736-) Nut, Hex, Lock, M6 X 1.00, NI, Ss	1	
28	1042062	(10477736-) Screw, Hex, M3 X 0.5 X 25, Ss	2	
29	41578	(10477736-) Washer, Flat, 06, Ss	6	
30	1012850	(10477736-) Bracket Wldt, Lever, Sqge	1	
31	1034731	(10477736-) Screw, Hex, M6 X 1.00 X 16, Sems, Ss	2	
32	02938	(10477736-) Washer, Lock, Int, 08, Ss	2	
33	579211	(10477736-) Nut, Hex, Lock, M3 X 0.50, NI, Ss	2	
34	1012568	(10477736-) Switch, Snap, 10a, Short	1	
35	08713	(10477736-) Nut, Hex, Lock, M8 X 1.25, NI, Ss	1	
36	1073852	(10477736-) Spring, Lever, Sqge	1	
37	43952	(10477736-) Washer, Lock, Int, 0.31, Ss	1	
38	09026	(10477736-) Screw, Hex, M8 X 1.25 X 40, Ss	2	
39	1016331	(10477736-) Washer, Flat, 0.34b 1.25d .11, Ss	2	

▽ ASSEMBLY

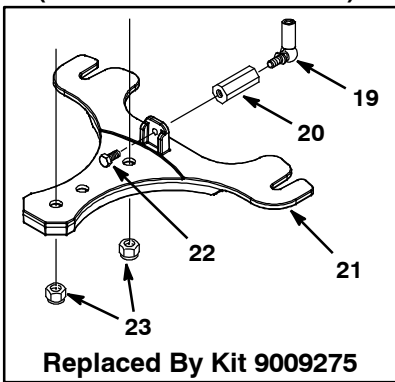
▲ INCLUDED IN ASSEMBLY

WHEEL GROUP, DRIVE MODEL

(S/N 10477736-10489352)



(S/N 10477736-10538480)



WHEEL GROUP, DRIVE MODEL

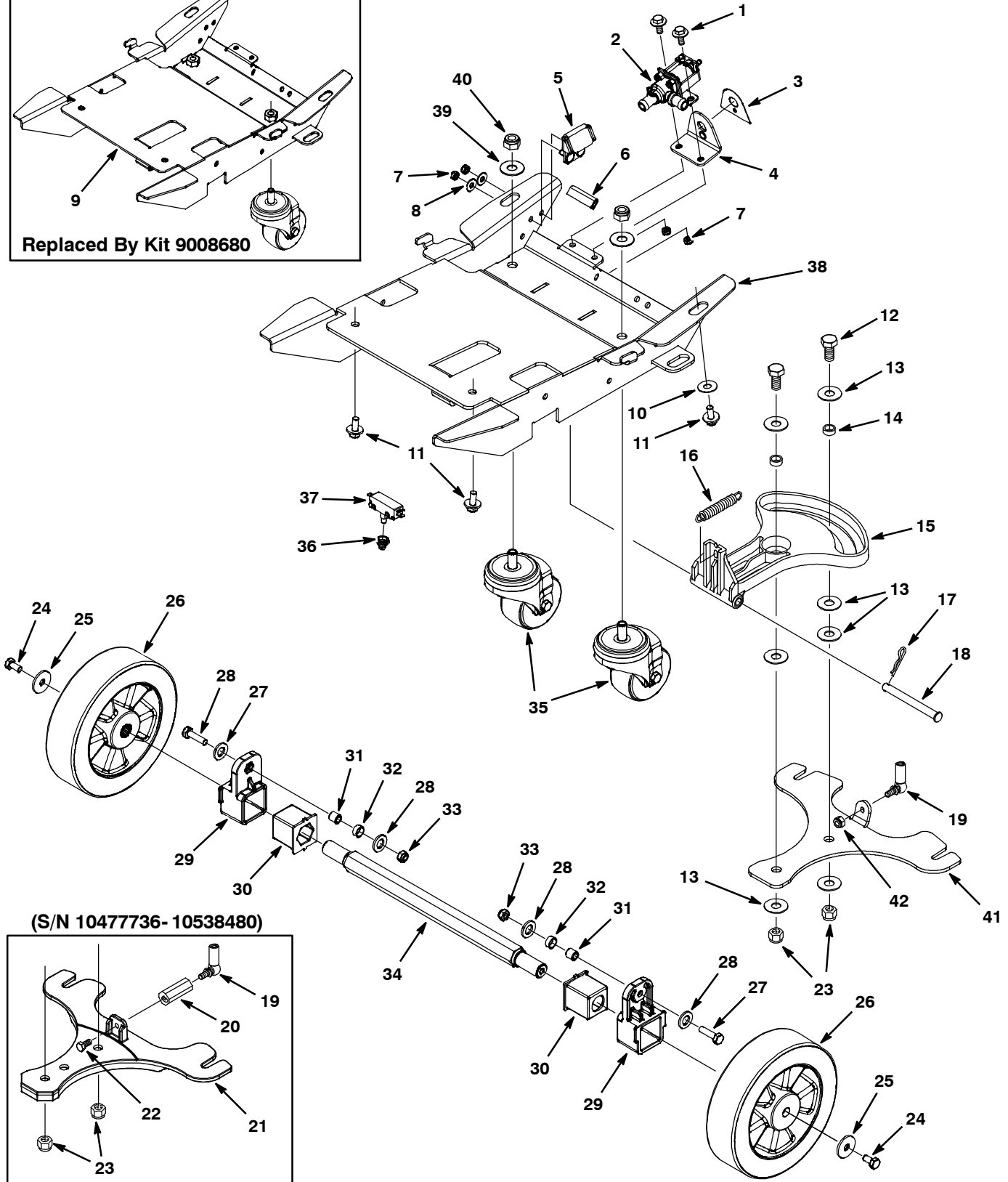
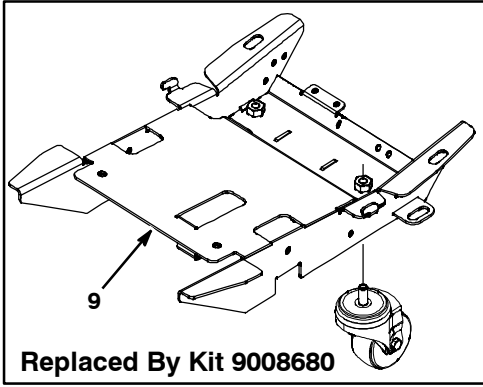
Ref.	Part No.	Serial Number	Description	Qty.	
1	1034731	(10477736-) Screw, Hex, M6 X 1.00 X 16, Ss, Sems	2	
2	1213803	(10729442-) Valve, Water, Solenoid, 24vdc, Bm10/Bm10	1	
∇	2	1062385	(10477736- 10729441) Valve, Water, Solenoid, 24vdc Bm10/Bm10	1	
▲	614265	(10477736- 10729441)	Valve Kit, Water [Viton Diaphragm]	1	
3	1014156	(10477736-) Label, Opertnl, Lower, Soltn Flow	1	
4	1031714	(10477736-) Bracket, Mtg, Valve, Soltn [T3]	1	
5	08712	(10477736-) Nut, Hex, Lock, M6 X 1.0, Ss, NI	4	
6	1013946	(10477736-) Bracket, Locking, Pedal, Foot Ylw	1	
7	1034551	(10477736-) Trim, Plstc, Edge, .12 X .56 X 1.75	1	
8	01684	(10477736-) Washer, Flat, 0.25 Ss	2	
9	1023428	(10477736- 10489352)	Frame Wldt, Mach, Blk (Rpld By Kit 9008680)	1	
10	1016331	(10477736-) Washer, Flat, 0.34b 1.25d .11, Ss	2	
11	1020341	(10477736-) Screw, Hex, M8 X 1.25 X 20, Ss, Sems	4	
12	12309	(10477736-) Screw, Hex, M12 X 1.75 X 30, Ss	2	
13	140045	(10477736-) Washer, Flat, 0.51b 1.25d .06, Ss	7	
14	1013662	(10477736-) Bushing, Sleeve, 12mm 16mm 6.5mml, Pm Yw	2	
15	1023389	(10477736-) Bracket, Sqge, Lift, Mold Blk, Nyl	1	
16	1008721	(10477736-) Spring, Extn, 0.75od 0.09wir 03.5l	1	
17	44906	(10477736-) Pin, Cotter, Hair, 0.69d .092 Wir	1	
18	1013610	(10477736-) Pin, Clevis, 10mmd X 100mml	1	
19	1012747	(10477736-) Balljoint, M6 X 1.0 Fem, M6 X 1.0 Mal	1	
20	1002078	(10477736- 10538480)	Spacer, 0.50hex X 1.25l, M6 Thread	1	
21	1026265	(10477736- 10538480)	Bracket, Mtg, Sqge, Cast, Alm (Rpld By Kit 9009275)	1	
22	1034731	(10477736- 10538480)	Screw, Hex, M6 X 1.00 X 16, Sems, Ss	1	
23	09741	(10477736-) Nut, Hex, Lock, M12 X 1.75, NI, Ss	2	
24	07788	(10477736-) Nut, Hex, Std, M12 X 1.75, Ss	2	
25	140024	(10477736-) Washer, Lock, Split, 0.50, Ss	2	
26	1039655	(10477736-) Wheel, Scrbr, 198.00mm, W/ Taper [T3]	2	
27	1028292	(10477736-) Adapter, Mtg, Axle, Alm	2	
∇	28	1039475	(10477736-) Transaxle, Ele, 24vdc, 112rpm, Pkrd,Dfma	1
▲	1017782	(10477736-) Coupling Kit, Transaxle, Replmt [11057]	1	
▲	29	1021167	(10477736-) Key, Woodruff, 5mm	2
▲	30	612880	(10477736-) Sleeve, Transaxle, Replmt	2
▲∇	31	1019916	(10477736-) Motor, Transaxle, 24vdc, Replmt	1
▲▲	32	614166	(10477736-) Brush Kit, Carbon [Qty 4]	1
33	09011	(10477736-) Screw, Hex, M8 X 1.25 X 30, Ss	2	
34	1013936	(10477736-) Washer, Flat, 0.51b 0.94d .10, Nyl	4	
35	222460	(10477736-) Sleeve, P/M, 0.31b 0.50d 0.5l [430ss]	2	
36	630188	(10477736-) Bearing, Journal, .50id X .25l	2	
37	08713	(10477736-) Nut, Hex, Lock, M8 X 1.25, NI, Ss	2	
38	1019008	(10477736-) Caster, Swivel, 80mmd, M12 X 25 Clr Pl	2	
39	1035711	(10477736-) Boot, Switch, Hex Nut, .38- 32 Thd	1	
40	1071996	(10477736-) Switch, Push, Snap Action, 25a	1	
41	1060894	(10489353-) Frame Wldt, Main, 4mm [T3, Ss3/T3e]	1	
42	140045	(10489353-) Washer, Flat, 0.51b 1.25d .06, Ss	2	
43	09741	(10489353-) Nut, Hex, Lock, M12 X 1.75, NI, Ss	2	
44	1066505	(10538481-) Bracket, Mtg, Sqge, Stl [T3]	1	
45	08712	(10538481-) Nut, Hex, Lock, M6 X 1.00, NI, Ss	1	

∇ ASSEMBLY

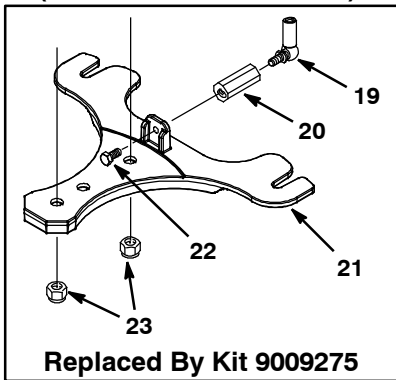
▲ INCLUDED IN ASSEMBLY

WHEEL GROUP, BRUSH ASSIST MODEL

(S/N 10477736- 10489352)



(S/N 10477736- 10538480)



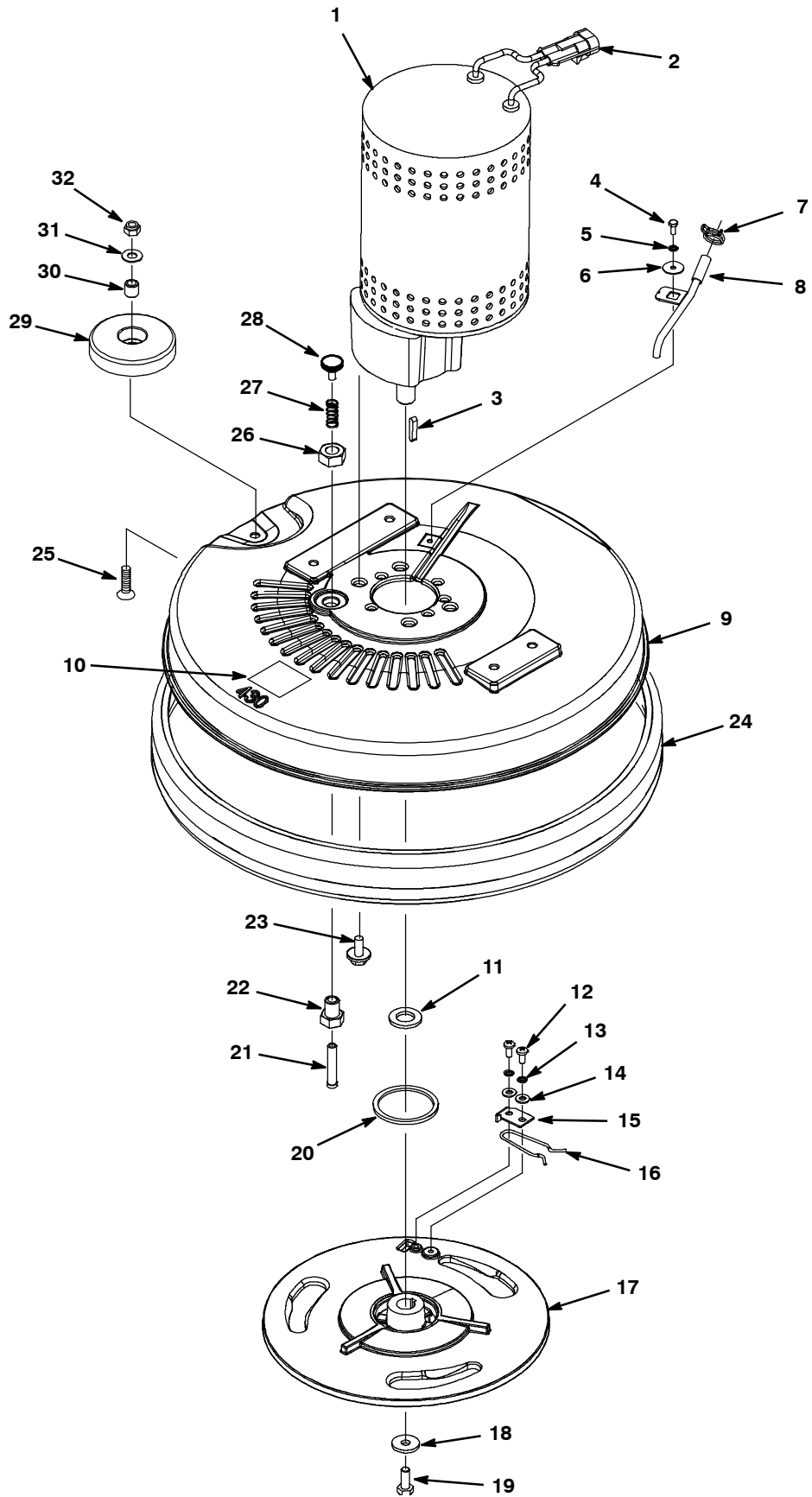
WHEEL GROUP, BRUSH ASSIST MODEL

Ref.	Part No.	Serial Number	Description	Qty.
1	1034731	(10477736-) Screw, Hex, M6 X 1.00 X 16, Ss, Sems	2
2	1213803	(10729442-) Valve, Water, Solenoid, 24vdc, Bm10/Bm10	1
▽	2	1062385	(10477736- 10729441) Valve, Water, Solenoid, 24vdc Bm10/Bm10	1
▲	614265	(10477736- 10729441)	Valve Kit, Water [Viton Diaphragm]	1
3	1014156	(10477736-) Label, Opertnl, Lower, Soltn Flow	1
4	1012108	(10477736-) Bracket, Mtg, Valve, Soltn	1
5	1013946	(10477736-) Bracket, Locking, Pedal, Foot, Yel Pl	1
6	1034551	(10477736-) Trim, Plstc, Edge, .12 X .56 X 1.75	1
7	08712	(10477736-) Nut, Hex, Lock, M6 X 1.00, Ss, NI	4
8	01684	(10477736-) Washer, Flat, 0.27b 0.69d .05, Ss	2
9	1023428	(10477736- 10489352)	Frame Wldt, Mach, Blk, [T3] (Rpld By Kit 9008680)	1
10	1016331	(10477736-) Washer, Flat, 0.34b 1.25d .11, Ss	2
11	1020341	(10477736-) Screw, Hex, M8 X 1.25 X 20, Ss, Sems Sq	4
12	12309	(10477736-) Screw, Hex, M12 X 1.75 X 30, Ss	2
13	140045	(10477736-) Washer, Flat, 0.51b 1.25d .06, Ss	7
14	1013662	(10477736-) Bushing, Sleeve, 12mmb 16mmd 7mml, Pm Yel	2
15	1023389	(10477736-) Bracket, Sqge, Lift, Mold Blk, Nyl [T3]	1
16	1008721	(10477736-) Spring, Extn, 0.75od 0.09wir 03.5l	1
17	44906	(10477736-) Pin, Cotter, Hair, 0.69d .092 Wir	1
18	1013610	(10477736-) Pin, Clevis, 10mmd X 100mml	1
19	1012747	(10477736-) Balljoint, M06 X 1.0 Fem, M06 X 1.0 Mal	1
20	1002078	(10477736- 10538480)	Spacer, .50x X 1.25l, M6 Thread	1
21	1026265	(10477736- 10538480)	Bracket, Mtg, Sqge, [T3] Cast, Alm (Rpld By Kit 9009275)	1
22	1034731	(10477736- 10538480)	Screw, Hex, M6 X 1.00 X 16, Ss, Sems	1
23	09741	(10477736-) Nut, Hex, Lock, M12 X 1.75, NI, Ss	2
24	1020341	(10477736-) Screw, Hex, M8 X 1.25 X 20, Ss, Sems	2
25	1016331	(10477736-) Washer, Flat, 0.34b 1.25d .11, Ss	2
26	1013248	(10477736-) Wheel, Scrbr, 198.00mm, W/ Brg	2
27	09011	(10477736-) Screw, Hex, M8 X 1.25 X 30, Ss	2
28	1013936	(10477736-) Washer, Flat, 0.51b 0.94d .10, Nyl	4
29	1028292	(10477736-) Adapter, Mtg, Axle, Alm [T3]	1
30	1028381	(10477736-) Grommet, Axle [Tpu, T3 Push]	1
31	222460	(10477736-) Sleeve, P/M, 0.31b 0.50d 0.5l [430ss]	2
32	630188	(10477736-) Bearing, Journal, .50id X .25l	2
33	08713	(10477736-) Nut, Hex, Lock, M8 X 1.25, NI, Ss	2
34	1028382	(10477736-) Axle, Wheel, Hex, Clr Zn [T3 Push]	1
35	1019008	(10477736-) Caster, Swivel, 80mmd, M12 X 25, Clr Pl	2
36	1035711	(10477736-) Boot, Switch, Hex Nut, .38- 32 Thd	1
37	1071996	(10477736-) Switch, Push, Snap Action, 25a	1
38	1060894	(10489353-) Frame Wldt, Main, 4mm [T3, Ss3/T3e]	1
39	140045	(10489353-) Washer, Flat, 0.51b 1.25d .06, Ss	2
40	09741	(10489353-) Nut, Hex, Lock, M12 X 1.75, NI, Ss	2
41	1066505	(10538481-) Bracket, Mtg, Sqge, Stl [T3]	1
42	08712	(10538481-) Nut, Hex, Lock, M6 X 1.00, NI, Ss	1

▽ ASSEMBLY

▲ INCLUDED IN ASSEMBLY

SCRUB HEAD GROUP, 43 cm (17 in) MODEL (S/N 10564492-)



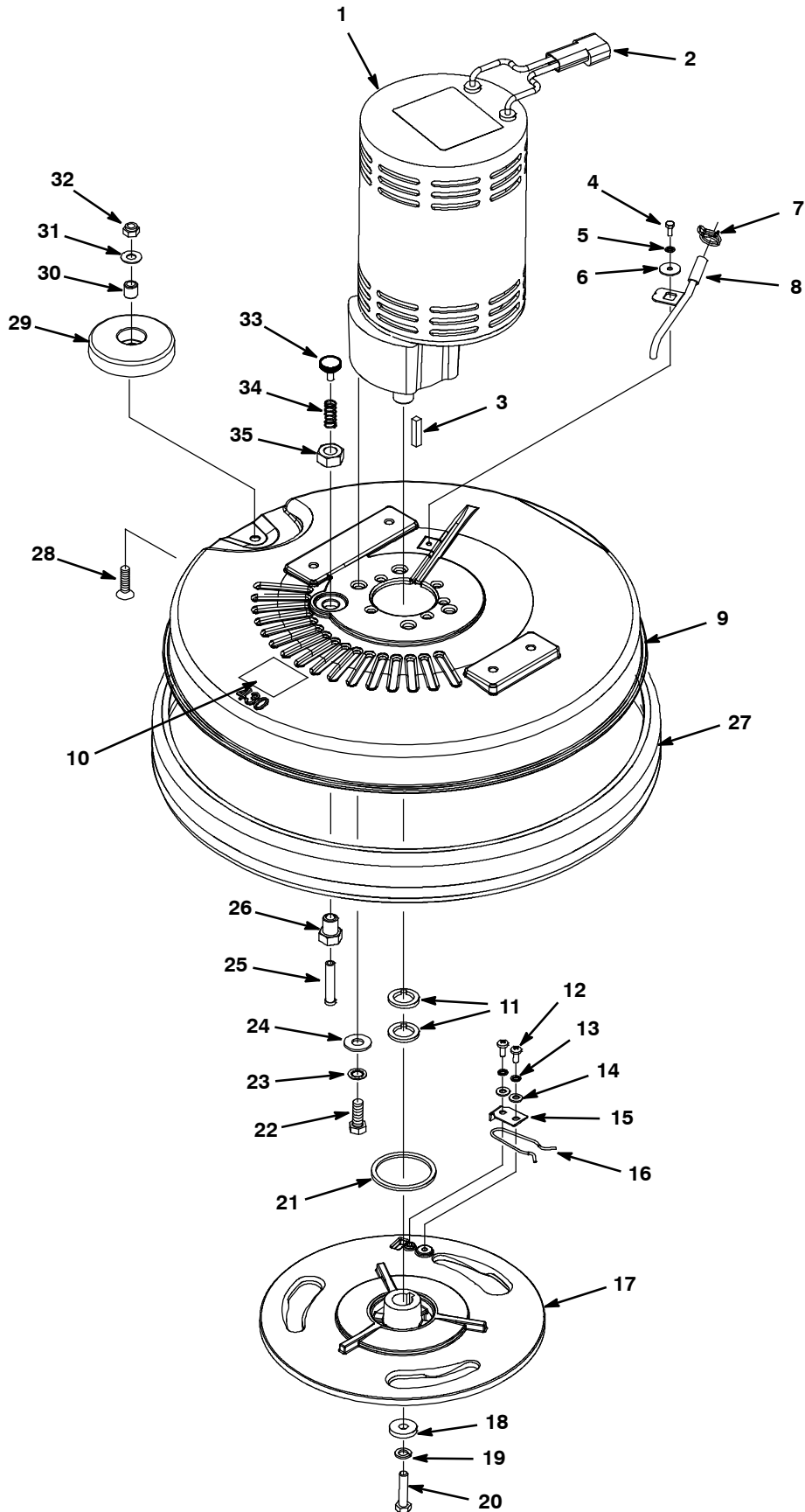
SCRUB HEAD GROUP, 43 cm (17 in) MODEL (S/N 10564492-)

Ref.	Part No.	Serial Number	Description	Qty.
▽	1	1062544	(10564492-) Motor, Ele, 24vdc 0200rpm 1.00hp, 17mm	1
▲		1045790	(10564492-) Brush Kit, Replmt, Carbon 24vdc [4pc = 1kit]	1
▲	2	607798	(10477736-) Terminal Mal Brush Motor Leads	2
▲	2	607801	(10564492-) Clip, Position, Terminal [Packard]	1
	3	1014328	(10564492-) Key, Sq, 05mm X 05mm, 25mml	1
	4	1020234	(10477736-) Screw, Hex, M4 X 0.7 X 10, Ss	1
	5	02938	(10477736-) Washer, Lock, Int, 08, Ss	1
	6	1009168	(10477736-) Washer, Flat, 0.17b 0.75d .04, Ss	1
	7	607775	(10477736-) Clamp, Hose, Wir, .63 - .66, Blk	1
	8	1016155	(10477736-) Tube Wldt, Supply, Water	1
▽	9	1069424	(10477736-) Housing Kit, Head, 43cm [T2/T3]	1
▲	10	578769	(10477736-) Label, Moving Parts	1
	11	1022549	(10564492-) Spacer, Shaft, 17.15b 30.0d 3.0l, Ss	1
	12	09200	(10477736-) Screw, Pan, M5 X 0.8 X 12, Ss	2
	13	07514	(10477736-) Washer, Lock, Int, #10, Ss	2
	14	01683	(10477736-) Washer, Flat, 0.22b 0.50d .05, Ss [#10]	2
	15	1011201	(10477736-) Plate, Clamp, Brush	1
	16	1013188	(10477736-) Clip, Spring, Drive Plate Yel Pl	1
	17	1063046	(10564492-) Hub, Drive, 3lug, Alm, 17.0b [Heavy Dp] (For Motor #1062544 - Small Shaft)	1
	18	1017218	(10564492-) Washer, Flat, 0.32b 1.00d .12, Ss	1
	19	12273	(10564492-) Screw, Hex, M8 X 1.25 X 20, NI, Ss	1
	20	1016426	(10477736-) Ring, Water, Containment	1
	21	1037399	(10477736-) Pin, Stop, 8.3mmd X 42mml	1
	22	605825	(10477736-) Screw, Stop, Head Pin	1
	23	1020341	(10564492-) Screw, Hex, M8 X 1.25 X 20, Ss, Sems	4
	24	1055019	(10477736-) Bumper, Head, 43cm, W/ Bristle Skirt, Im	1
	25	79506	(10477736-) Screw, Flt, M8 X 1.25 X 30, Ss	1
	26	1037470	(10477736-) Nut, Hex, M14 X 2.00, Ss	1
	27	1037400	(10477736-) Spring, Cmpr, .42od, .04wir, 1.0l, Pl,Mw	1
	28	603012	(10477736-) Knob, Rnd, 19.0d M6 X 12, Stud, Plstc,Pl	1
	29	1010560	(10477736-) Wheel, Bmpr, 80d X 25w, Non- Marking	1
	30	222460	(10477736-) Sleeve, P/M, 0.31b 0.50d 0.5l	1
	31	140027	(10477736-) Washer, Flat, 0.35b 0.75d .04, Ss	1
	32	08713	(10477736-) Nut, Hex, Lock, M8 X 1.25, NI, Ss	1

▽ ASSEMBLY

▲ INCLUDED IN ASSEMBLY

SCRUB HEAD GROUP, 43 cm (17 in) MODEL (S/N 10477736-10564491)



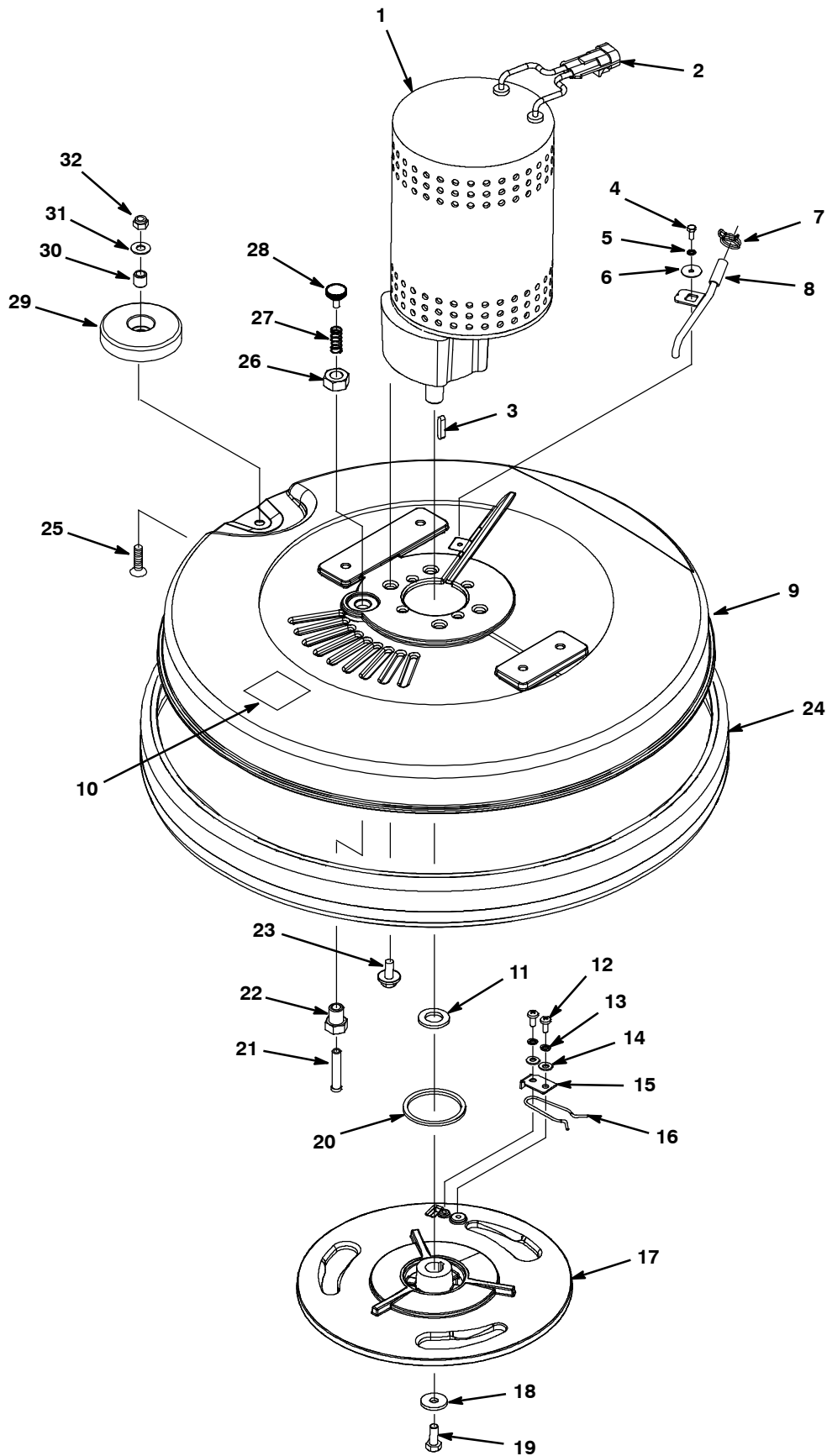
SCRUB HEAD GROUP, 43 cm (17 in) MODEL (S/N 10477736- 10564491)

Ref.	Part No.	Serial Number	Description	Qty.
▽	1	1028301	(10477736- 10564491) Motor, Ele, 24vdc 0200rpm 1.00hp Gear (Replaced by Kit 1069394 - Includes Motor, Hub & Hardware)	1
▲▽	1038269	(10477736- 10564491)	Brush, Card, Assy, Imperial, 1.00hp (For Motor #1028301)	1
▲▲	190970	(10477736- 10564491)	Vr, Brush, Carbon, Motor, Ele (For Motor #1028301)	4
▲	1038268	(10477736- 10564491)	Gearbox, Motor, Imperial, 1.00hp (For Motor #1028301)	1
▲	607798	(10477736-)	Terminal Mal Brush Motor Leads	2
▲	2	607797	(10477736- 10564491) Connector, Mal [Packard] (For Motor #1028301)	1
▲	3	00930	(10477736- 10564491) Key, Sq, 0.25 X 0.25, 1.50l (For Motor #1028301)	1
	4	1020234	(10477736-) Screw, Hex, M4 X 0.7 X 10, Ss	1
	5	02938	(10477736-) Washer, Lock, Int, 08, Ss	1
	6	1009168	(10477736-) Washer, Flat, 0.17b 0.75d .04, Ss	1
	7	607775	(10477736-) Clamp, Hose, Wir, .63 - .66, Blk	1
	8	1016155	(10477736-) Tube Wldt, Supply, Water	1
▽	9	1069424	(10477736-) Housing Kit, Head, 43cm [T3]	1
▲	10	578769	(10477736-) Label, Moving Parts	1
	11	621471	(10477736-) Spacer, 0.75b 1.12d 0.12l,	2
	12	09200	(10477736-) Screw, Pan, M5 X 0.8 X 12, Ss	2
	13	07514	(10477736-) Washer, Lock, Int, #10, Ss	2
	14	01683	(10477736-) Washer, Flat, 0.22b 0.50d .05, Ss [#10]	2
	15	1011201	(10477736-) Plate, Clamp, Brush	1
	16	1013188	(10477736-) Clip, Spring, Drive Plate Yel Pl	1
	17	1054019	(10477736- 10564491) Hub, Drive, 3lug, Alm, 19.0b [Diecast] (For Motor #1028301 - Large Shaft)	1
	18	1028796	(10477736- 10564491) Washer, Flat, 0.33b 1.00d .18	1
	19	140015	(10477736- 10564491) Washer, Lock, Split, 0.31, Ss	1
	20	1035038	(10477736- 10564491) Screw, Hex, .31- 18 X 1.38, Ss, NI	1
	21	1016426	(10477736-) Ring, Water, Containment	1
	22	69225	(10477736- 10564491) Screw, Hex, .38- 16 X 1.00, Ss	4
	23	43953	(10477736- 10564491) Washer, Lock, Int, 0.38 Ss	4
	24	01686	(10477736- 10564491) Washer, Flat, 0.44b 1.00 .08, Ss	4
	25	1037399	(10477736-) Pin, Stop, 8.3mmd X 42mml	1
	26	605825	(10477736-) Screw, Stop, Head Pin	1
	27	1055019	(10477736-) Bumper, Head, 43cm, W/ Bristle Skirt, Im	1
	28	79506	(10477736-) Screw, Flt, M8 X 1.25 X 30, Ss	1
	29	1010560	(10477736-) Wheel, Bmpr, 80d X 25w, Non- Marking	1
	30	222460	(10477736-) Sleeve, P/M, 0.31b 0.50d 0.5l	1
	31	140027	(10477736-) Washer, Flat, 0.35b 0.75d .04, Ss	1
	32	08713	(10477736-) Nut, Hex, Lock, M8 X 1.25, NI, Ss	1
	33	603012	(10477736-) Knob, Rnd, 19.0d M6 X 12, Stud, Plstc,PI	1
	34	1037400	(10477736-) Spring, Cmpr, .42od, .04wir, 1.0l, Pl,Mw	1
	35	1037470	(10477736-) Nut, Hex, M14 X 2.00, Ss	1

▽ ASSEMBLY

▲ INCLUDED IN ASSEMBLY

SCRUB HEAD GROUP, 50 cm (20 in) MODEL (S/N 10564492-)



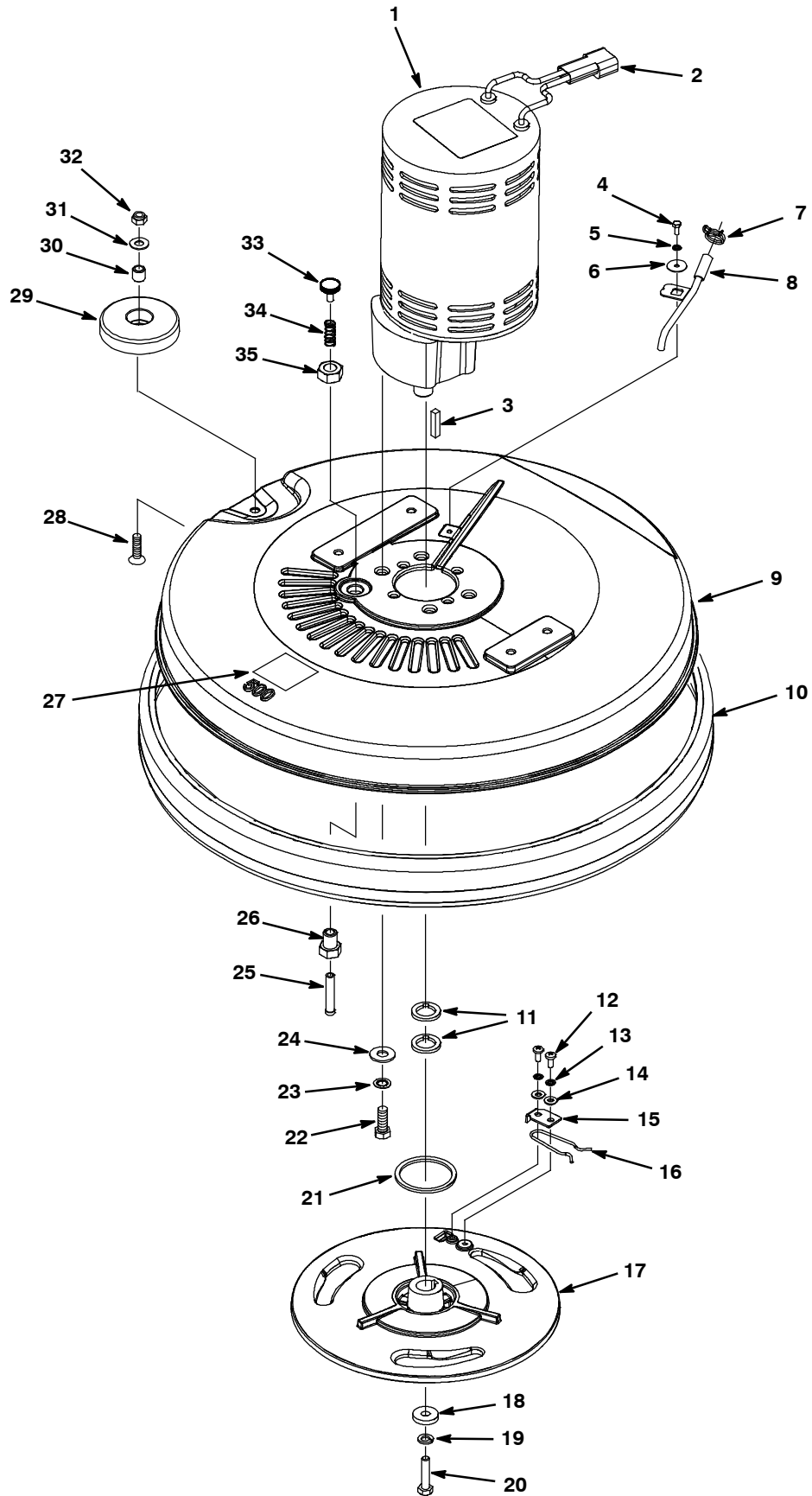
SCRUB HEAD GROUP, 50 cm (20 in) MODEL (S/N 10564492-)

Ref.	Part No.	Serial Number	Description	Qty.
▽	1	1062544	(10564492-) Motor, Ele, 24vdc 0200rpm 1.00hp, 17mm	1
▲		1045790	(10564492-) Brush Kit, Replmt, Carbon 24vdc [4pc = 1kit]	1
▲	2	607798	(10477736-) Terminal Mal Brush Motor Leads	2
▲	2	607801	(10564492-) Clip, Position, Terminal [Packard]	1
	3	1014328	(10564492-) Key, Sq, 05mm X 05mm, 25mml	1
	4	1020234	(10477736-) Screw, Hex, M4 X 0.7 X 10, Ss	1
	5	02938	(10477736-) Washer, Lock, Int, 08, Ss	1
	6	1009168	(10477736-) Washer, Flat, 0.17b 0.75d .04, Ss	1
	7	607775	(10477736-) Clamp, Hose, Wir, .63 - .66, Blk	1
	8	1016155	(10477736-) Tube Wldt, Supply, Water	1
	9	1036813	(10477736-) Housing, Head, 50cm, Die Cstg	1
	10	578769	(10477736-) Label, Moving Parts	1
	11	1022549	(10564492-) Spacer, Shaft, 17.15b 30.0d 3.0l, Ss	1
	12	09200	(10477736-) Screw, Pan, M5 X 0.8 X 12, Ss	2
	13	07514	(10477736-) Washer, Lock, Int, #10, Ss	2
	14	01683	(10477736-) Washer, Flat, 0.22b 0.50d .05, Ss [#10]	2
	15	1011201	(10477736-) Plate, Clamp, Brush	1
	16	1013188	(10477736-) Clip, Spring, Drive Plate Yel Pl	1
	17	1063046	(10564492-) Hub, Drive, 3lug, Alm, 17.0b [Heavy Dp] (For Motor #1062544 - Small Shaft)	1
	18	1017218	(10564492-) Washer, Flat, 0.32b 1.00d .12, Ss	1
	19	12273	(10564492-) Screw, Hex, M8 X 1.25 X 20, NI, Ss	1
	20	1016426	(10477736-) Ring, Water, Containment	1
	21	1037399	(10477736-) Pin, Stop, 8.3mmd X 42mml	1
	22	605825	(10477736-) Screw, Stop, Head Pin	1
	23	1020341	(10564492-) Screw, Hex, M8 X 1.25 X 20, Ss, Sems	4
	24	1055025	(10477736-) Bumper, Head, 50cm, W/ Bristle Skirt, Im	1
	25	79506	(10477736-) Screw, Flt, M8 X 1.25 X 30, Ss	1
	26	1037470	(10477736-) Nut, Hex, M14 X 2.00, Ss	1
	27	1037400	(10477736-) Spring, Cmpr, .42od, .04wir, 1.0l, Pl,Mw	1
	28	603012	(10477736-) Knob, Rnd, 19.0d M6 X 12, Stud, Plstc,Pl	1
	29	1010560	(10477736-) Wheel, Bmpr, 80d X 25w, Non- Marking	1
	30	222460	(10477736-) Sleeve, P/M, 0.31b 0.50d 0.5l	1
	31	140027	(10477736-) Washer, Flat, 0.35b 0.75d .04, Ss	1
	32	08713	(10477736-) Nut, Hex, Lock, M8 X 1.25, NI, Ss	1

▽ ASSEMBLY

▲ INCLUDED IN ASSEMBLY

SCRUB HEAD GROUP, 50 cm (20 in) MODEL (S/N 10477736-10564491)



SCRUB HEAD GROUP, 50 cm (20 in) MODEL (S/N 10477736- 10564491)

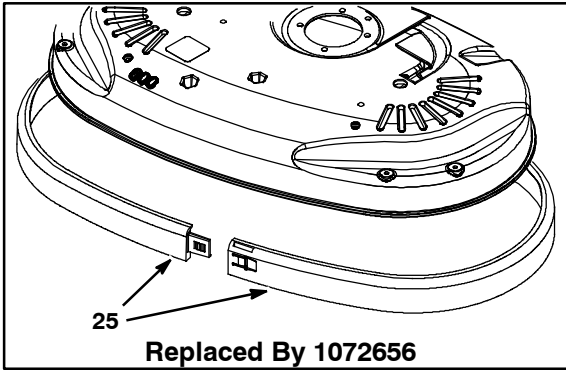
Ref.	Part No.	Serial Number	Description	Qty.
▽	1	1028301	(10477736- 10564491) Motor, Ele, 24vdc 0200rpm 1.00hp Gear (Replaced by Kit 1069394 - Includes Motor, Hub & Hardware)	1
▲▽	1038269	(10477736- 10564491)	Brush, Card, Assy, Imperial, 1.00hp (For Motor #1028301)	1
▲▲	190970	(10477736- 10564491)	Vr, Brush, Carbon, Motor, Ele (For Motor #1028301)	4
▲	1038268	(10477736- 10564491)	Gearbox, Motor, Imperial, 1.00hp (For Motor #1028301)	1
▲	607798	(10477736-)	Terminal Mal Brush Motor Leads	2
▲	2	607797	(10477736- 10564491) Connector, Mal [Packard] (For Motor #1028301)	1
▲	3	00930	(10477736- 10564491) Key, Sq, 0.25 X 0.25, 1.50l (For Motor #1028301)	1
	4	1020234	(10477736-) Screw, Hex, M4 X 0.7 X 10, Ss	1
	5	02938	(10477736-) Washer, Lock, Int, 08, Ss	1
	6	1009168	(10477736-) Washer, Flat, 0.17b 0.75d .04, Ss	1
	7	607775	(10477736-) Clamp, Hose, Wir, .63 - .66, Blk	1
	8	1016155	(10477736-) Tube Wldt, Supply, Water	1
	9	1036813	(10477736-) Housing, Head, 50cm, Die Cstg	1
	10	1055025	(10477736-) Bumper, Head, 50cm, W/ Bristle Skirt, Im	1
	11	621471	(10477736- 10564491) Spacer, 0.75b 1.12d 0.12l	2
	12	09200	(10477736-) Screw, Pan, M5 X 0.8 X 12, Ss	2
	13	07514	(10477736-) Washer, Lock, Int, #10, Ss	2
	14	01683	(10477736-) Washer, Flat, 0.22b 0.50d .05, Ss [#10]	2
	15	1011201	(10477736-) Plate, Clamp, Brush	1
	16	1013188	(10477736-) Clip, Spring, Drive Plate Yel Pl	1
	17	1054019	(10477736- 10564491) Hub, Drive, 3- Lug, Alm, 19.0b[Diecast] (For Motor #1028301 - Large Shaft)	1
	18	1028796	(10477736- 10564491) Washer, Flat, 0.33b 1.00d .18	1
	19	140015	(10477736- 10564491) Washer, Lock, Split, 0.31, Ss	1
	20	1035038	(10477736- 10564491) Screw, Hex, .31- 18 X 1.38, Ss, NI	1
	21	1016426	(10477736-) Ring, Water, Containment	1
	22	69225	(10477736- 10564491) Screw, Hex, .38- 16 X 1.00, Ss	4
	23	43953	(10477736- 10564491) Washer, Lock, Int, 0.38 Ss	4
	24	01686	(10477736- 10564491) Washer, Flat, 0.44b 1.00 .08, Ss	4
	25	1037399	(10477736-) Pin, Stop, 8.3mmd X 42mml	1
	26	605825	(10477736-) Screw, Stop, Head Pin	1
	27	578769	(10477736-) Label, Moving Parts	1
	28	79506	(10477736-) Screw, Flt, M8 X 1.25 X 30, Ss	1
	29	1010560	(10477736-) Wheel, Bmpr, 80d X 25w, Non- Marking	1
	30	222460	(10477736-) Sleeve, P/M, 0.31b 0.50d 0.5l	1
	31	140027	(10477736-) Washer, Flat, 0.35b 0.75d .04, Ss	1
	32	08713	(10477736-) Nut, Hex, Lock, M8 X 1.25, NI, Ss	1
	33	603012	(10477736-) Knob, Rnd, 19.0d M6 X 12, Stud, Plstc,PI	1
	34	1037400	(10477736-) Spring, Cmpr, .42od, .04wir, 1.0l, Pl,Mw	1
	35	1037470	(10477736-) Nut, Hex, M14 X 2.00, Ss	1

▽ ASSEMBLY

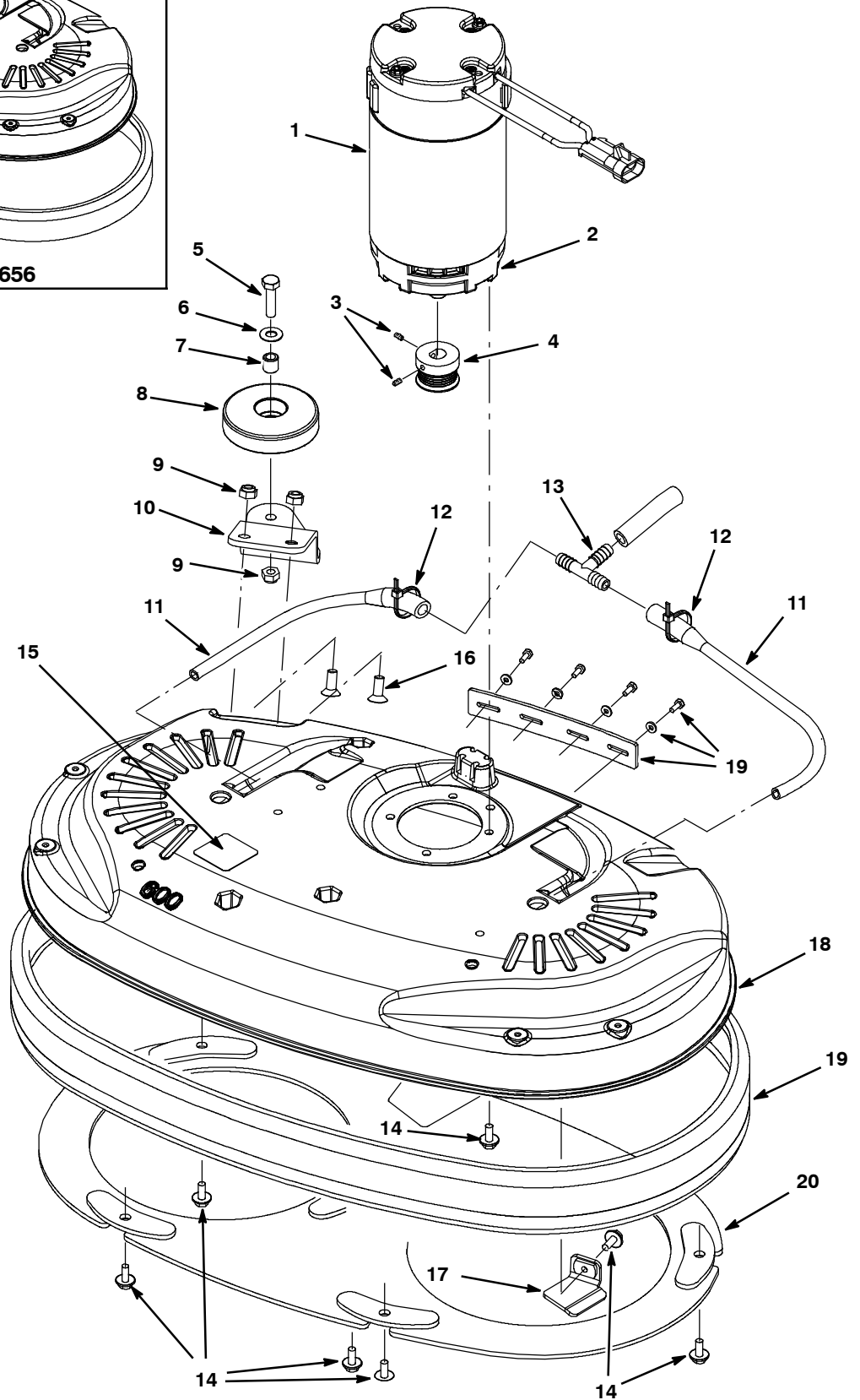
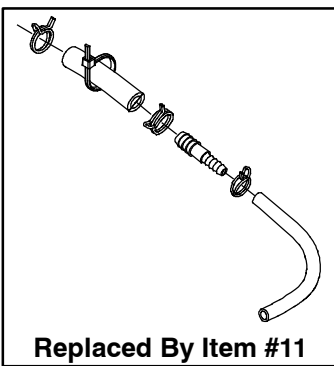
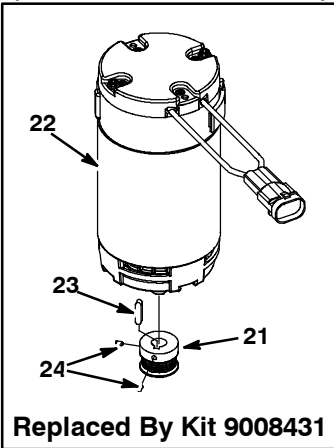
▲ INCLUDED IN ASSEMBLY

SCRUB HEAD GROUP, DUAL DISK, 60 cm (24 in) MODEL

(S/N 10477736-xxxxxxx)



(S/N 10477736-10538205)



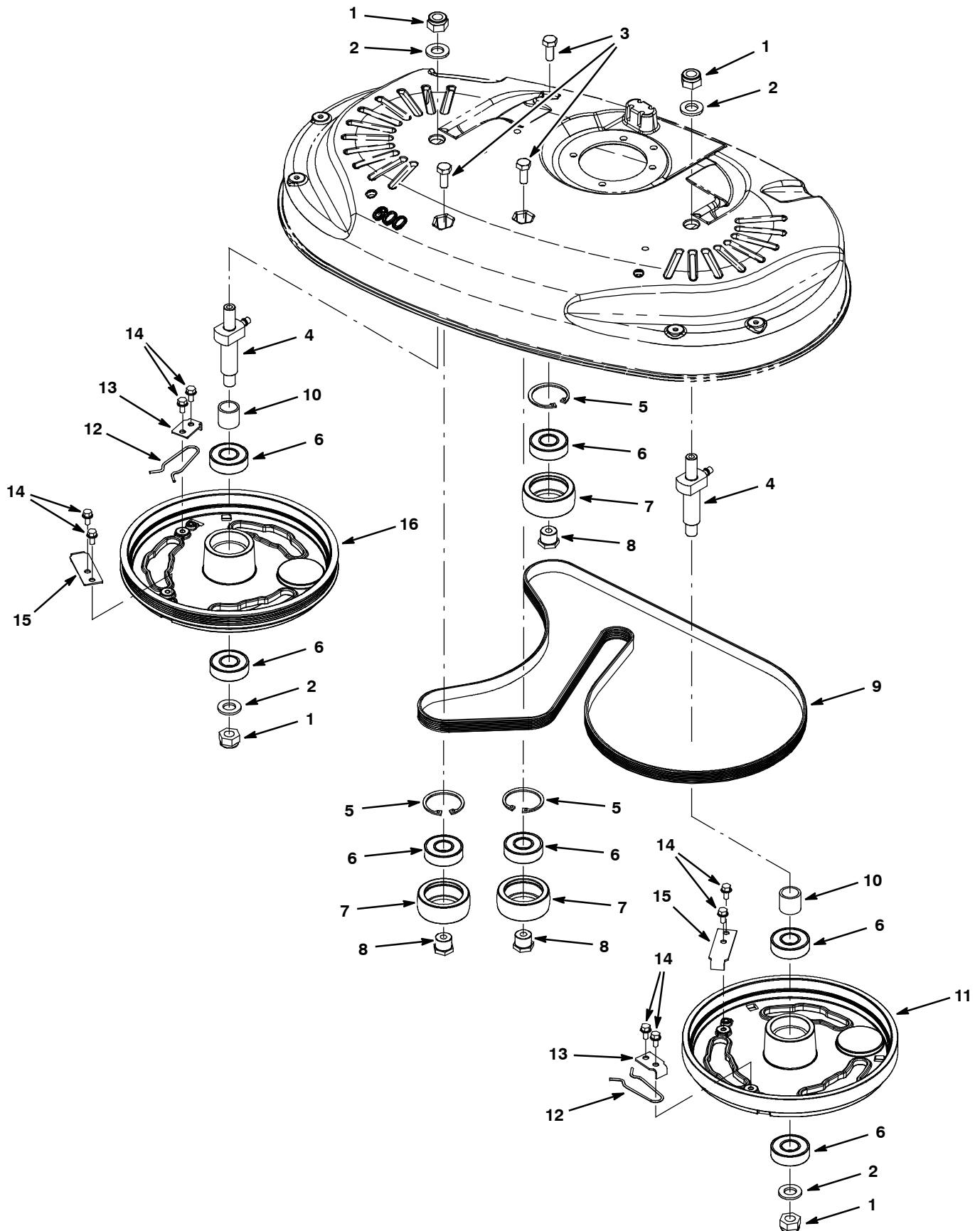
SCRUB HEAD GROUP, DUAL DISK, 60 cm (24 in) MODEL

Ref.	Part No.	Serial Number	Description	Qty.
▽	1	1064902	(10538206-) Motor, 24vdc, 2000rpm, 7/8hp [Us]	1
▲	2	1059370	(10477736-) Brush, Motor, Replmt [Bag Of 4]	1
	3	1013995	(10477736-) Screw, Set, M5 X 0.80 X 8, Ss [Cuppt]	2
	4	1059058	(10538206-) Sheave, 06grv, 1.25pd 0.55b, Ss[D Shaft]	1
	5	09011	(10477736-) Screw, Hex, M8 X 1.25 X 30, Ss	1
	6	140027	(10477736-) Washer, Flat, 0.35b 0.75d .04, Ss	1
	7	222460	(10477736-) Sleeve, P/M, 0.32b 0.50d 0.5l [430ss]	1
	8	1010560	(10477736-) Wheel, Bmpr, 80d X 25w, Non- Marking	1
	9	08713	(10477736-) Nut, Hex, Lock, M8 X 1.25, NI, Ss	3
	10	1055815	(10477736-) Bracket, Wall- Roller, Scb Head [T3]	1
	11	1062937	(10477736-) Tube, Soltn, 245.0mm Lg [T3 Dual Disks]	2
	12	130773	(10477736-) Tie, Cable, Nyl, 11.0l, .14w, 3.0 Max. D	2
	13	160310	(10477736-) Fitting, Plstc, Tee, Bm06/Bm06/Bm06	1
	14	1034731	(10477736-) Screw, Hex, M6 X 1.00 X 16, Ss, Sems	10
	15	578769	(10477736-) Label, Parts, Moving [Textless]	1
	16	79246	(10477736-) Screw, Flt, Soc, M8 X 1.25 X 20, 18- 8,Ss	2
	17	1058380	(10477736-) Bracket, Guide, Belt [T3 60cm]	1
	18	1059697	(10477736-) Housing, Casting, Head [T3 60cm] Mach	1
	19	1072656	(xxxxxxx-) Bumper, Head, 60cm, Bristle Skirt (Includes Mounting Hardware & Retaining Strap)	1
	19	1053609	(10477736-) Bumper, Skirt, Scb Head, 60cm	1
	20	1058573	(10477736-) Bracket, Gaurd, Splash [T3 60cm]	1
	21	1057422	(10477736- 10538205) Sheave, 06grv, 1.25pd 0.55b, Ss [J6]	1
▽	22	1058602	(10477736- 10538205) Motor, 24vdc, 2000rpm, [Us] (Rpld By Kit 9008431 - Motor With Sheave)	1
▲		1059370	(10477736-) Brush, Motor, Replmt [Bag Of 4]	1
	23	1014328	(10477736- 10538205) Key, Sq, 05mm X 05mm, 25mml	1
	24	1013995	(10477736-) Screw, Set, M5 X 0.80 X 8, Ss [Cuppt]	2
	25	1053609	(10477736- xxxxxxxx) Bumper, Skirt, Scb Head, 60cm (Replaced By 1072656 - Includes Mounting Hardware & Retaining Strap)	1

▽ ASSEMBLY

▲ INCLUDED IN ASSEMBLY

SCRUB HEAD GROUP, DUAL DISK, 60 cm (24 in) MODEL - CONT'D



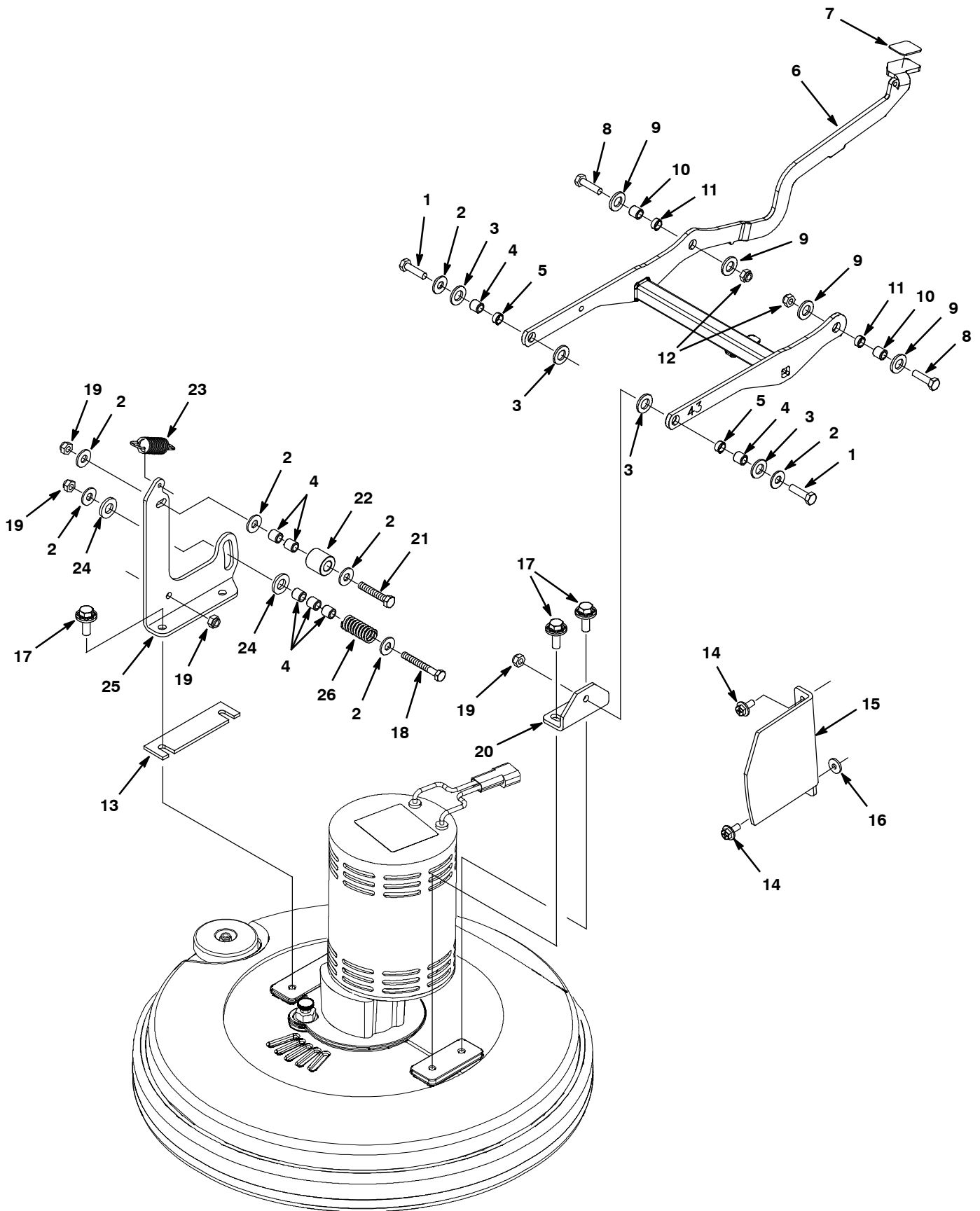
SCRUB HEAD GROUP, DUAL DISK, 60 cm (24 in) MODEL - CONT'D

Ref.	Part No.	Serial Number	Description	Qty.
1	09741	(10477736-) Nut, Hex, Lock, M12 X 1.75, NI, Ss	4
2	33925	(10477736-) Washer, Flat, M12, Ss	4
3	12273	(10477736-) Screw, Hex, M8 X 1.25 X 20, NI, Ss	3
4	1058800	(10477736-) Shaft Wldt, Mtg, Pulley	2
5	1013884	(10477736-) Ring, Retaining, Int, 40mm, Ss	3
6	1211187	(10477736-) Bearing, Ball, 0.67b 1.57d 0.47w [6203]	7
7	1058514	(10477736-) Pulley, Idler, 55d X 21w[60cm Dual Disk]	3
8	1011008	(10477736-) Spacer, Brg, Idler	3
9	1055305	(10477736-) Belt, Drive, 6pj, Ej139 [T3]	1
10	1011041	(10477736-) Tube, 0.69id 0.87od 00.8l, Stl, PI	2
11	1059205	(10477736-) Hub, Drive, 3lug, Alm, 2disk, Flt	1
12	1013188	(10477736-) Clip, Spring, Drive Plate [T3], Clr Zn	2
13	1013592	(10477736-) Stop, Driver, Release	2
14	223198	(10477736-) Screw, Hex, M5 X 0.80 X 10, Fmg	8
15	1011201	(10477736-) Plate, Clamp, Brush	2
16	1059206	(10477736-) Hub, Drive, 3lug, Alm, 2disk, 6grv	1

▽ ASSEMBLY

▲ INCLUDED IN ASSEMBLY

SCRUB HEAD LIFT GROUP, 43 CM MODEL



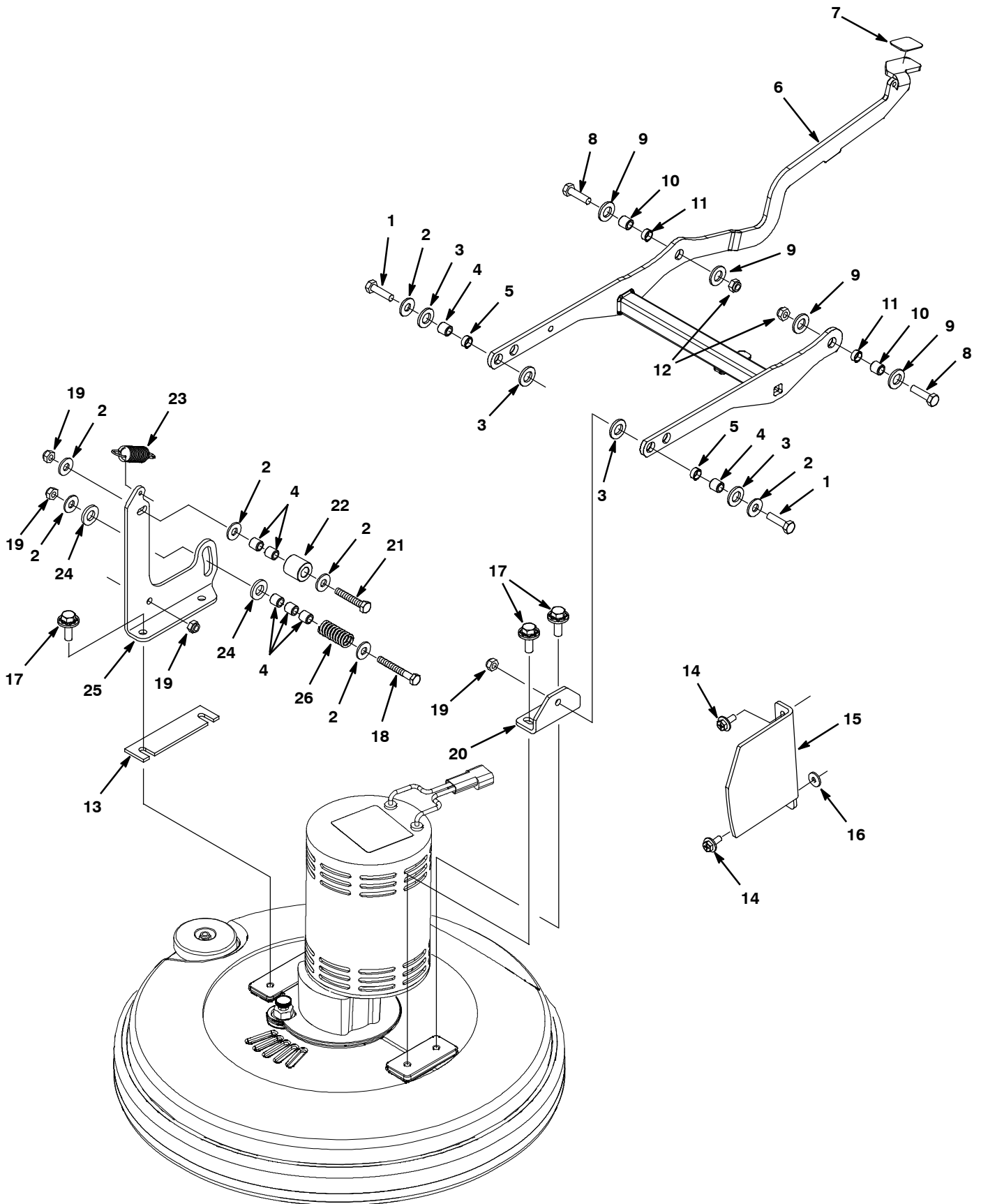
SCRUB HEAD LIFT GROUP, 43 CM MODEL

Ref.	Part No.	Serial Number	Description	Qty.	
1	09011	(10477736-) Screw, Hex, M8 X 1.25 X 30, Ss	2	
2	01685	(10477736-) Washer, Flat, 0.38b 0.88d .08, Ss	7	
3	1013936	(10477736-) Washer, Flat, 0.51b 0.94d .10, Nyl	4	
4	222460	(10477736-) Sleeve, P/M, 0.31b 0.50d 0.5l	7	
5	630188	(10477736-) Bearing, Journal, .50id X .25l	2	
▽	6	1061708	(10477736-) Kit, Lift Assy, Head, Sgl Disk,43cm [T3]	1
▲	7	1014283	(10477736-) Pad, Adh, Non-Slip, 28mm X 36mm, Blk	1
▲	8	09011	(10477736-) Screw, Hex, M8 X 1.25 X 30, Ss	2
▲	9	1013936	(10477736-) Washer, Flat, 0.51b 0.94d .10, Nyl	4
▲	10	222460	(10477736-) Sleeve, P/M, 0.31b 0.50d 0.5l	2
▲	11	630188	(10477736-) Bearing, Journal, .50id X .25l	2
▲	12	08713	(10477736-) Nut, Hex, Lock, M8 X 1.25, NI, Ss	2
	13	1032791	(10477736-) Spacer, Head, 4mm (Brush Assist Model)	1
	14	1034731	(10477736-) Screw, Hex, M6 X 1.00 X 16, Sems, Ss	2
	15	1015460	(10477736-) Bracket, Guide, Head, [43cm]	1
	16	1028796	(10477736-) Washer, Flat, 0.33b 1.00d .18, Stl, Pl	1
	17	1072628	(10477736-) Screw, Hex, M8 X 1.25 X 25, Ss, Sems	4
	18	1014163	(10477736-) Screw, Hex, M8 X 1.25 X 60, Fl, Ss	1
	19	08713	(10477736-) Nut, Hex, Lock, M8 X 1.25, NI, Ss	4
	20	1015470	(10477736-) Bracket, Mtg, Head	1
	21	222505	(10477736-) Screw, Hex, M8 X 1.25 X 45, Ss	1
	22	1014020	(10477736-) Roller, Lift, Dual Disk Head	1
	23	1032420	(10477736-) Spring, Extn, 0.85od 0.09wir 02.9l (43cm Model)	1
	24	140127	(10477736-) Bearing, Thrust,0.51b X 1.0 X .12, Brz	2
	25	1012323	(10477736-) Bracket, Mtg, Head, Rh	1
	26	140430	(10477736-) Spring, Cmpr, .72od X 1.69 L	1
	N/S	130773	(10477736-) Tie, Cable, Nyl, 11.0l, .14w, 3.0 Max. D	1

▽ ASSEMBLY

▲ INCLUDED IN ASSEMBLY

SCRUB HEAD LIFT GROUP, 50 CM MODEL



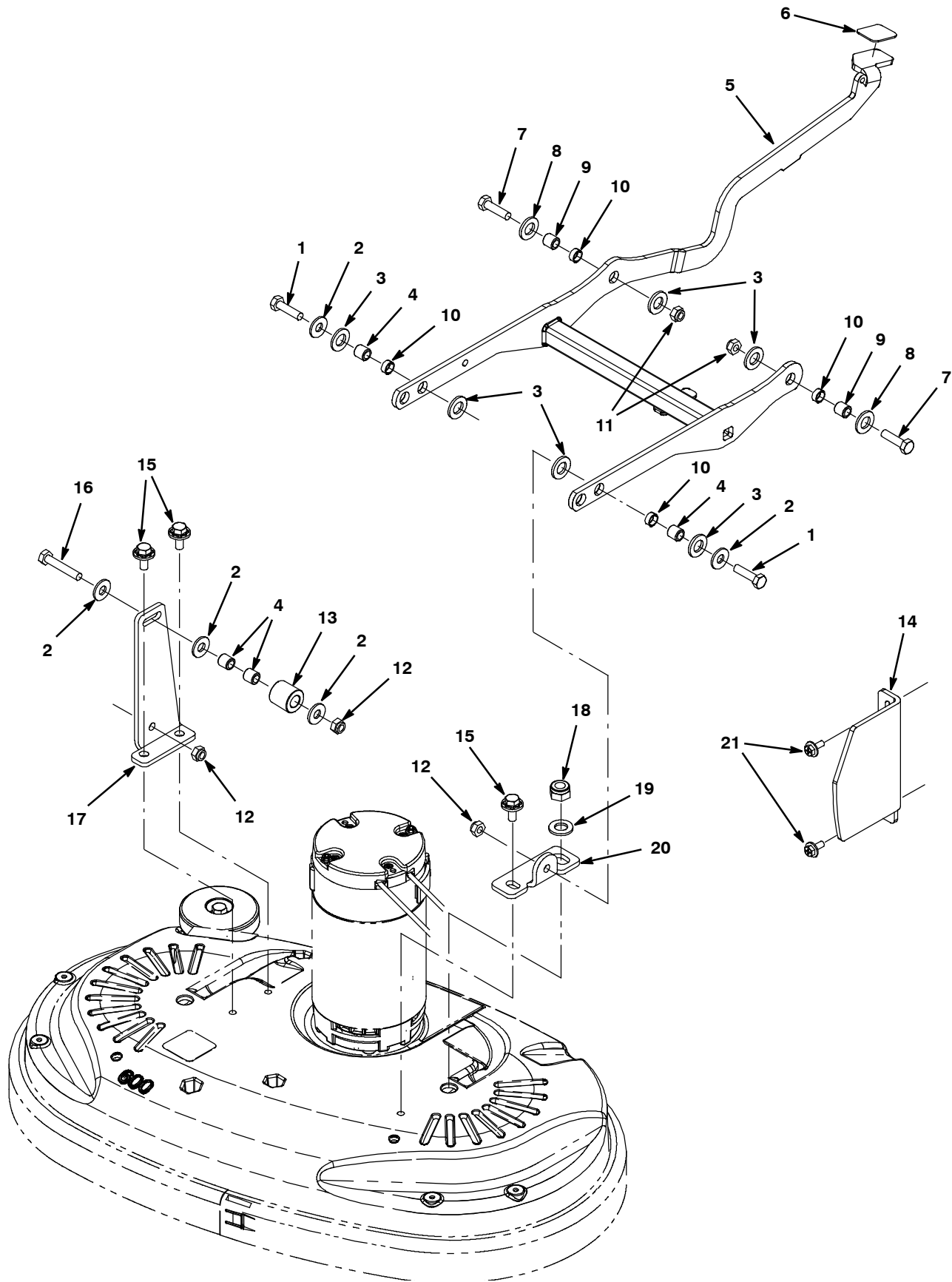
SCRUB HEAD LIFT GROUP, 50 CM MODEL

Ref.	Part No.	Serial Number	Description	Qty.	
1	09011	(10477736-) Screw, Hex, M8 X 1.25 X 30, Ss	2	
2	01685	(10477736-) Washer, Flat, 0.38b 0.88d .08, Ss	7	
3	1013936	(10477736-) Washer, Flat, 0.51b 0.94d .10, Nyl	4	
4	222460	(10477736-) Sleeve, P/M, 0.31b 0.50d 0.5l	7	
5	630188	(10477736-) Bearing, Journal, .50id X .25l	2	
▽	6	1061720	(10477736-) Kit, Lift Assy, Head, Disk,50/60[T3 N/A]	1
▲	7	1014283	(10477736-) Pad, Adh, Non-Slip, 28mm X 36mm, Blk	1
▲	8	09011	(10477736-) Screw, Hex, M8 X 1.25 X 30, Ss	2
▲	9	1013936	(10477736-) Washer, Flat, 0.51b 0.94d .10, Nyl	4
▲	10	222460	(10477736-) Sleeve, P/M, 0.31b 0.50d 0.5l	2
▲	11	630188	(10477736-) Bearing, Journal, .50id X .25l	2
▲	12	08713	(10477736-) Nut, Hex, Lock, M8 X 1.25, NI, Ss	2
	13	1032791	(10477736-) Spacer, Head, 4mm (Brush Assist Model)	1
	14	1034731	(10477736-) Screw, Hex, M6 X 1.00 X 16, Sems, Ss	2
	15	1012484	(10477736-) Bracket, Guide, Head, [50cm]	1
	16	1028796	(10477736-) Washer, Flat, 0.33b 1.00d .18, Stl, Pl	1
	17	1072628	(10477736-) Screw, Hex, M8 X 1.25 X 25, Ss, Sems	4
	18	1014163	(10477736-) Screw, Hex, M8 X 1.25 X 60, Fl, Ss	1
	19	08713	(10477736-) Nut, Hex, Lock, M8 X 1.25, NI, Ss	4
	20	1015470	(10477736-) Bracket, Mtg, Head	1
	21	222505	(10477736-) Screw, Hex, M8 X 1.25 X 45, Ss	1
	22	1014020	(10477736-) Roller, Lift, Dual Disk Head	1
	23	1031776	(10477736-) Spring, Extn, 0.75od 0.09wir 03.2l (50cm Model)	1
	24	140127	(10477736-) Bearing, Thrust,0.51b X 1.0 X .12, Brz	2
	25	1012323	(10477736-) Bracket, Mtg, Head, Rh	1
	26	140430	(10477736-) Spring, Cmpr, .72od X 1.69 L	1
	N/S	130773	(10477736-) Tie, Cable, Nyl, 11.0l, .14w, 3.0 Max. D	1

▽ ASSEMBLY

▲ INCLUDED IN ASSEMBLY

SCRUB HEAD LIFT GROUP, DUAL DISK 60 CM MODEL



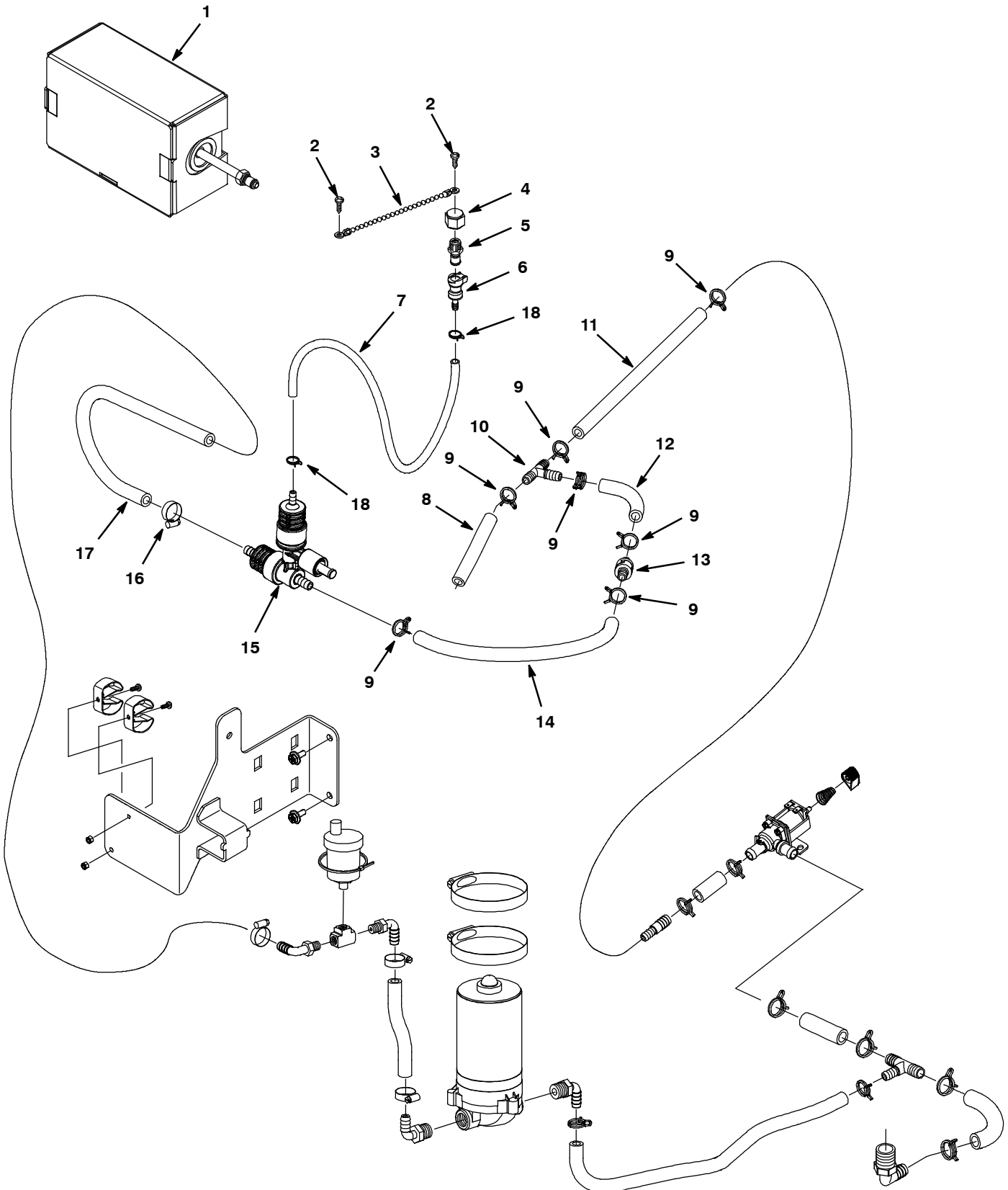
SCRUB HEAD LIFT GROUP, DUAL DISK 60 CM MODEL

Ref.	Part No.	Serial Number	Description	Qty.	
1	09011	(10477736-) Screw, Hex, M8 X 1.25 X 30, Ss	2	
2	01685	(10477736-) Washer, Flat, 0.38b 0.88d .08, Ss	5	
3	1013936	(10477736-) Washer, Flat, 0.51b 0.94d .10, Nyl	4	
4	222460	(10477736-) Sleeve, P/M, 0.31b 0.50d 0.5l	4	
▽	5	1061720	(10477736-) Kit, Lift Assy, Head, Disk,50/60[T3 N/A]	1
▲	6	1014283	(10477736-) Pad, Adh, 28mm X 36mm, Blk [Non-Slip]	1
▲	7	09011	(10477736-) Screw, Hex, M8 X 1.25 X 30, Ss	2
▲	8	1013936	(10477736-) Washer, Flat, 0.51b 0.94d .10, Nyl	4
▲	9	222460	(10477736-) Sleeve, P/M, 0.31b 0.50d 0.5l [430ss]	2
▲	10	630188	(10477736-) Bearing, Journal, .50id X .25l	4
▲	11	08713	(10477736-) Nut, Hex, Lock, M8 X 1.25, NI, Ss	2
	12	08713	(10477736-) Nut, Hex, Lock, M8 X 1.25, NI, Ss	3
	13	1014020	(10477736-) Roller, Lift, Dual Disk Head	1
	14	1055999	(10477736-) Bracket, Guide, Head, 60cm Dd [T3]	1
	15	1020341	(10477736-) Screw, Hex, M8 X 1.25 X 20, Ss, Sems Sq	3
	16	222505	(10477736-) Screw, Hex, M8 X 1.25 X 45, Ss	1
	17	1011432	(10477736-) Bracket, Mtg, Head, Rh	1
	18	09741	(10477736-) Nut, Hex, Lock, M12 X 1.75, NI, Ss	1
	19	33925	(10477736-) Washer, Flat, M12, Ss	1
	20	1054760	(10477736-) Bracket, Mtg, Head [T3 60cm Dd]	1
	21	1034731	(10477736-) Screw, Hex, M6 X 1.00 X 16, Ss, Sems	2

▽ ASSEMBLY

▲ INCLUDED IN ASSEMBLY

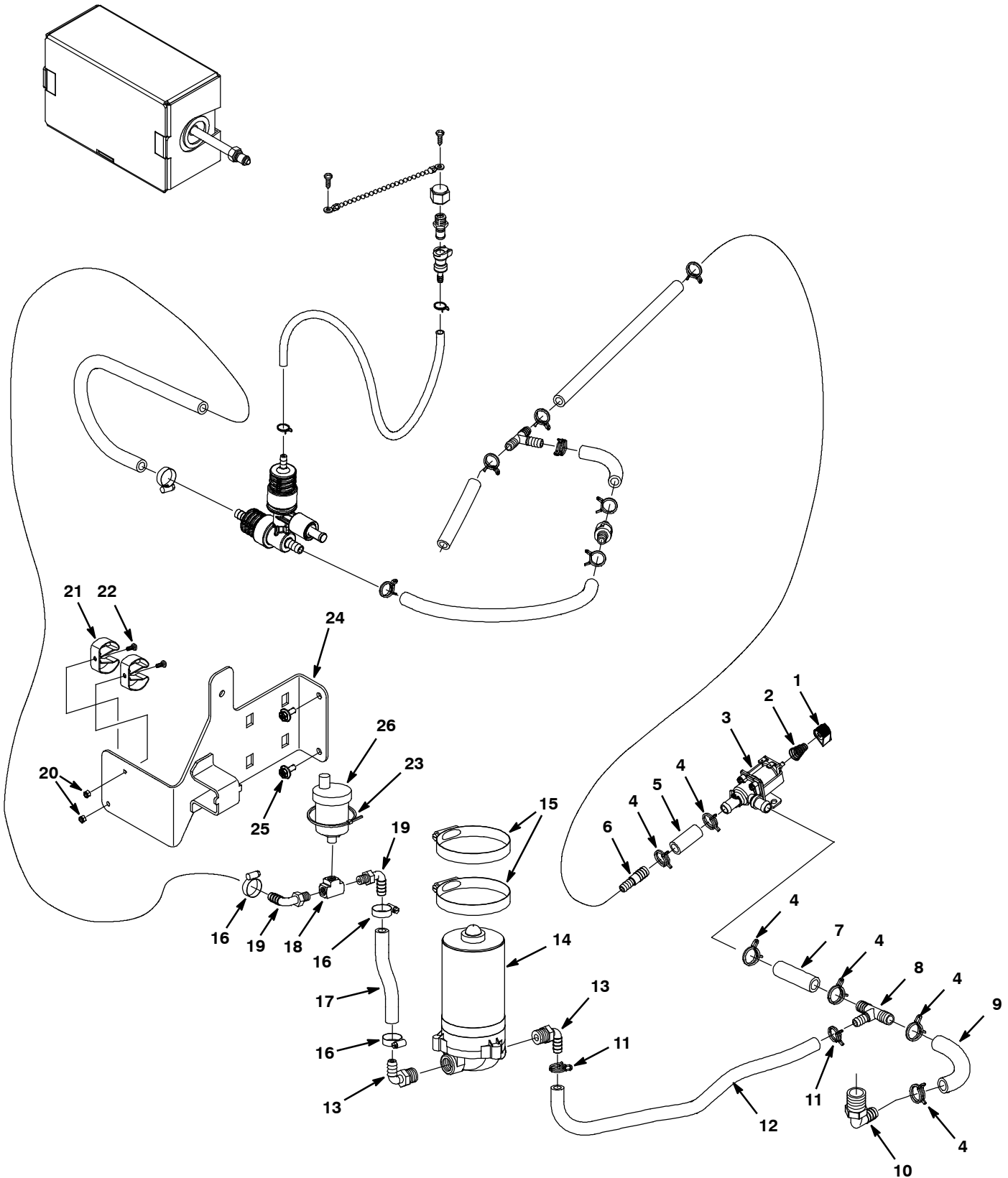
SOLUTION GROUP, FaST MODEL



SOLUTION GROUP, FaST MODEL

Ref.	Part No.	Serial Number	Description	Qty.
1	1017015	(10477736-) Detergent, Pkg, 2 Liter, Sgl [365]	1
1	1017022	(10477736-) Detergent, Pkg, 2 Liter, Sgl [665]	1
2	1018155	(10477736-) Screw, Pan, M5 X 0.8 X16, Ss, Tcut	2
3	621443	(10477736-) Chain, Ball, #10, 157mml, Ss	1
4	1005435	(10477736-) Fitting, Plstc, Pipe, Cap, Pf04	1
5	1002899	(10477736-) Fitting, Plstc, Str, Pm04, Cplg, Mal	1
6	1002898	(10477736-) Fitting, Plstc, Str, Bm04, Cplg, Fem	1
7	613947	(10477736-) Hose, Pvc, Clr, 0.25id 0.38od 026.0l	1
8	613446	(10477736-) Hose, Pyu, Clr, 0.38id 0.62od 010.0l	1
9	607775	(10477736-) Clamp, Hose, Wir, .63 - .66, Blk	7
10	160310	(10477736-) Fitting, Plstc, Tee, Bm06/Bm06/Bm06	1
11	613451	(10477736-) Hose, Pyu, Clr, 0.38id 0.62od 012.0l	1
12	606362	(10477736-) Hose, Pyu, Clr, 0.38id 0.62od 006.5l	1
13	1015455	(10477736-) Valve, Check, 0005psi Bm06/Bm06	1
14	613442	(10477736-) Hose, Pyu, Clr, 0.38id 0.62od 015.5l	1
15	9008865	(10533369-) Fast Kit, Injector, Ci [T3/Ss3 Fast Iii] (See Breakdown) (For Single Disk 43 CM & 50 CM Models)	1
15	9003906	(10477736- 10533368) FaST Kit, Injector, Ci [T3/Ss3 FaST II+] (See Breakdown) (For Single Disk 43 CM & 50 CM Models)	1
15	9008847	(10538206-) Fast Kit, Injector[T5 60/65cm, Fast Iii] (See Breakdown) (For Dual Disk 60 CM Model)	1
15	9003907	(10483942- 10538205) Fast Kit, Injector[T5 60/65cm, Fast Ii+] (See Breakdown) (For Dual Disk 60 CM Model)	1
16	54333	(10477736-) Clamp, Hose, Wormdrive, 0.31- 0.88d, .31w	1
17	613722	(10477736-) Hose, Pvc, Brd, 0.38id 0.60od 021.0l,Clr	1
18	613735	(10477736-) Clamp, Hose, Wir, .40 - .42, Yel	2

SOLUTION GROUP, FaST MODEL - CONT'D



SOLUTION GROUP, FaST MODEL - CONT'D

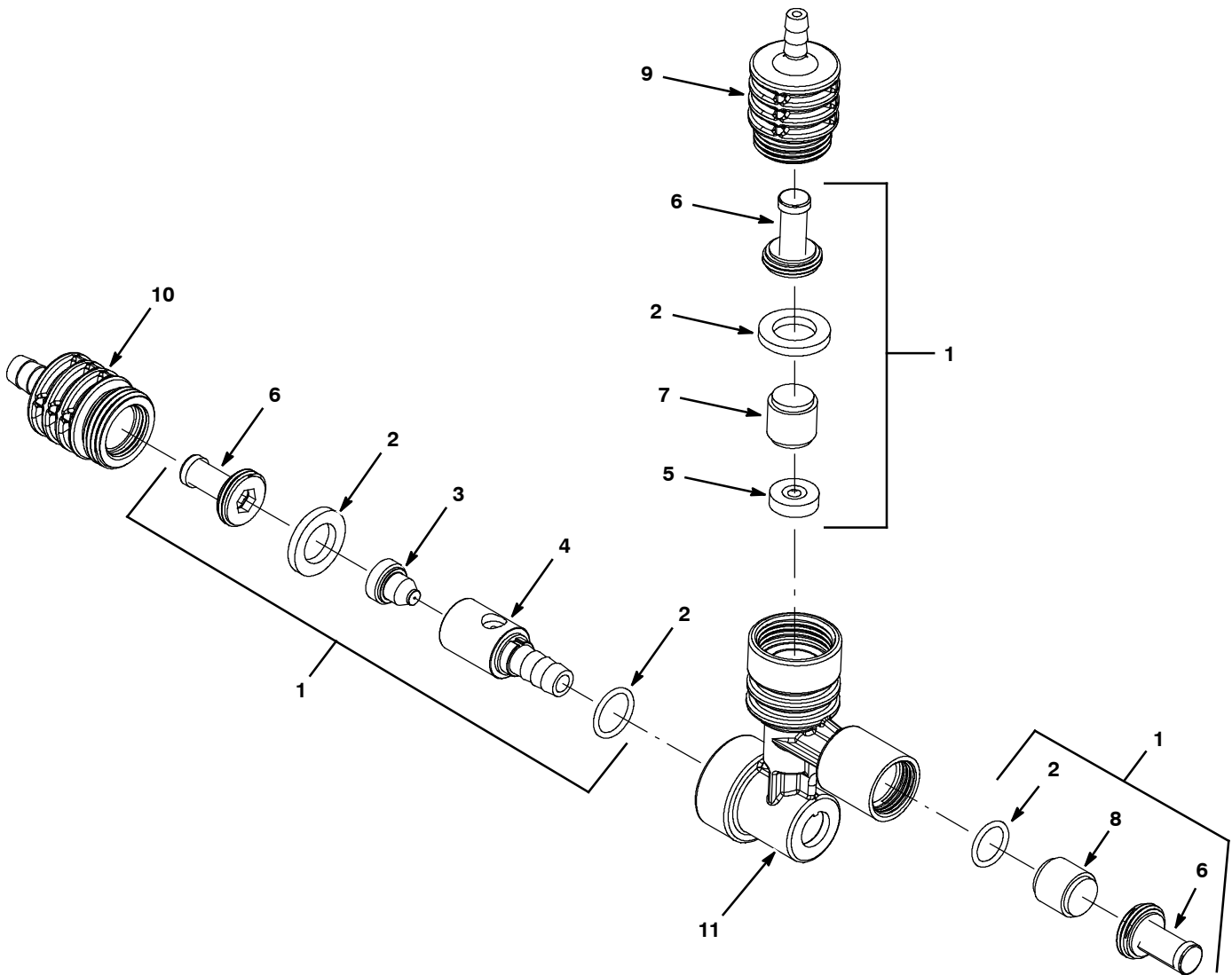
Ref.	Part No.	Serial Number	Description	Qty.
1	1013442	(10477736-) Knob, Valve, Indicator, Blk	1
2	1017091	(10477736-) Spring, Cmpr, 0.50od .04wir 00.8l	1
3	1213803	(10729442-) Valve, Water, Solenoid, 24vdc, Bm10/Bm10	1
▽	3	1062385	(10477736- 10729441) Valve, Water, Solenoid, 24vdc Bm10/Bm10	1
▲	614265	(10477736- 10729441)	Valve Kit, Water [Viton Diaphragm]	1
4	607776	(10477736-) Clamp, Hose, Wir, .73 - .77, Silver	6
5	1015071	(10477736-) Hose, Afmkt, Pvc, Clr, 0.50id, 01ft	1
6	612774	(10477736-) Fitting, Plstc, Str, Bm06/Bm08	1
7	613511	(10477736-) Hose, Pvc, Clr, 0.50id 0.75od 002.5l	1
8	630372	(10477736-) Fitting, Plstc, Tee, Bm06/Bm08/Bm08, Br	1
9	613517	(10477736-) Hose, Pvc, Clr, 0.50id 0.75od 005.5l	1
10	1013505	(10477736-) Fitting, Plstc, E90, Bm08/Pm08, Nyl	1
11	607775	(10477736-) Clamp, Hose, Wir, .63 - .66, Blk	2
12	613450	(10477736-) Hose, Pyu, Clr, 0.38id 0.62od 024.0l	1
13	1005630	(10477736-) Fitting, Plstc, E90, Bm06/Pm06, Nyl	2
14	1014282	(10477736-) Pump, Soltn, Ele, 24vdc, 60psi [Packard]	1
15	43555	(10477736-) Clamp, Hose, Wormdrive, 2.50- 3.50d, .50w	2
16	54333	(10477736-) Clamp, Hose, Wormdrive, 0.31- 0.88d, .31w	3
17	613724	(10477736-) Hose, Pvc, Brd, 0.38id 0.60od 010.0l,Clr	1
18	150705	(10477736-) Fitting, Brs, Tee, Pf02/Pf02/Pf02	1
19	1005564	(10477736-) Fitting, Plstc, E90, Bm06/Pm02, Nyl	2
20	33932	(10477736-) Nut, Hex, Lock, M4 X 0.70, Nl, Ss	2
21	573073	(10477736-) Clip, Grip, Hose, 1.00- 1.38, Zn	2
22	49697	(10477736-) Screw, Pan, M4 X 0.7 X 10, Ss	2
23	44961	(10477736-) Tie, Cable, Nyl, 14.5l .30w 4.0 Max D	1
24	1037242	(10477736-) Bracket Wldt, Mtg, Pump [Fast II+]	1
25	1034731	(10477736-) Screw, Hex, M6 X 1.00 X 16, Ss, Sems	2
26	1017386	(10477736-) Valve, Vent, Air, Float Type	1

▽ ASSEMBLY

▲ INCLUDED IN ASSEMBLY

STANDARD PARTS

9008865 FAST INJECTOR ASSEMBLY BREAKDOWN, SINGLE DISK 43 CM & 50 CM MODELS (S/N 10533369-)

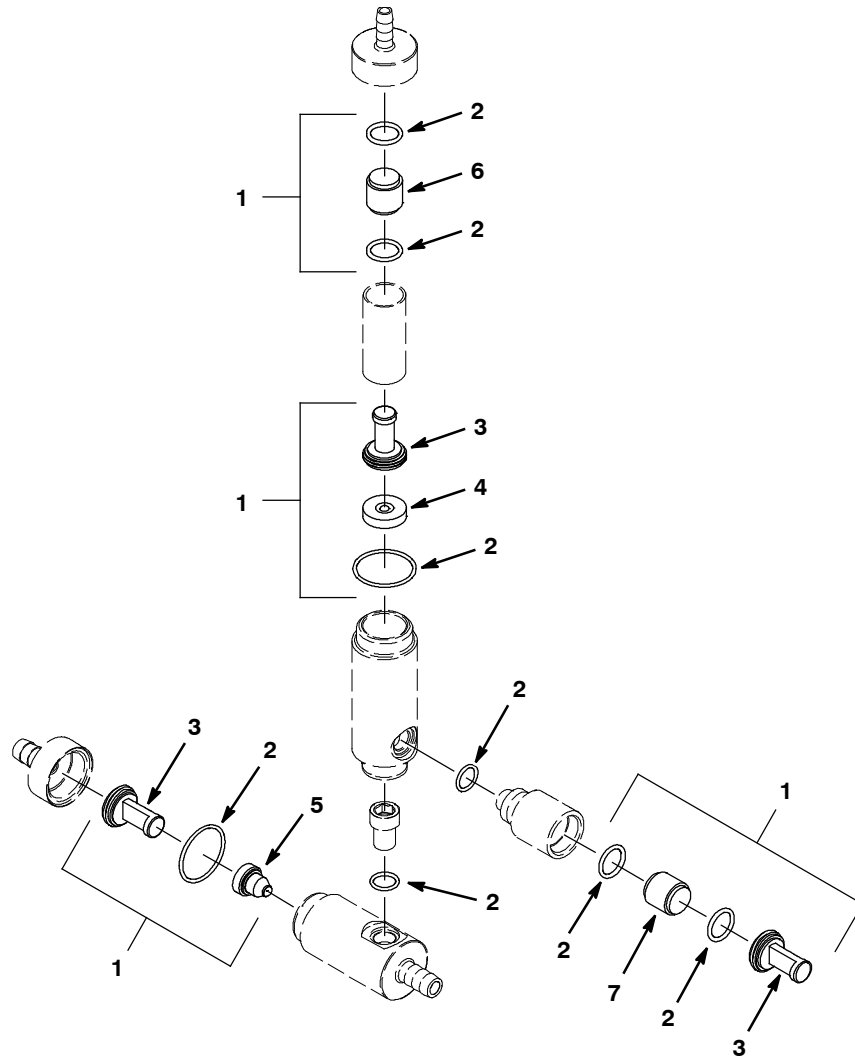


Ref.	Part No.	Serial Number	Description	Qty.
▽	9008865	(10533369-)	Fast Kit, Injector, Ci [T3/Ss3 Fast lii]	1
▲▽	1	9008758	Fast Kit, Ci [Inj Rebltd, T3/Ss3, LI]	1
▲▲	2	9008848	Fast Kit, Seal, Injector, Ci [Fast lii]	1
▲▲	3	1039988	Plug, Orifice, 0.027, Ss [Fast li+]	1
▲▲	4	1053366	Insert, Venturi, Small, [Fast lii]	1
▲▲	5	1059870	Plate Assy, Orifice, 0.0065id, Blk	1
▲▲	6	9003009	Fast Kit, Ci, Injector Filters[Fast li+]	1
▲▲	7	1030444	Valve, Check, 0002psi [Fast li+]	1
▲▲	8	1030441	Valve, Check, 0005psi [Fast li+]	1
▲	9	1058126	Housing, Fltr, Upper [Fast lii]	1
▲	10	1057811	Housing, Fltr, Lower [Fast lii]	1
▲	11	1053564	Housing, Body, Injector [Fast lii]	1

▽ ASSEMBLY

▲ INCLUDED IN ASSEMBLY

**9003906 FAST INJECTOR ASSEMBLY BREAKDOWN,
SINGLE DISK 43 CM & 50 CM MODELS (S/N 10477736- 10533368)**



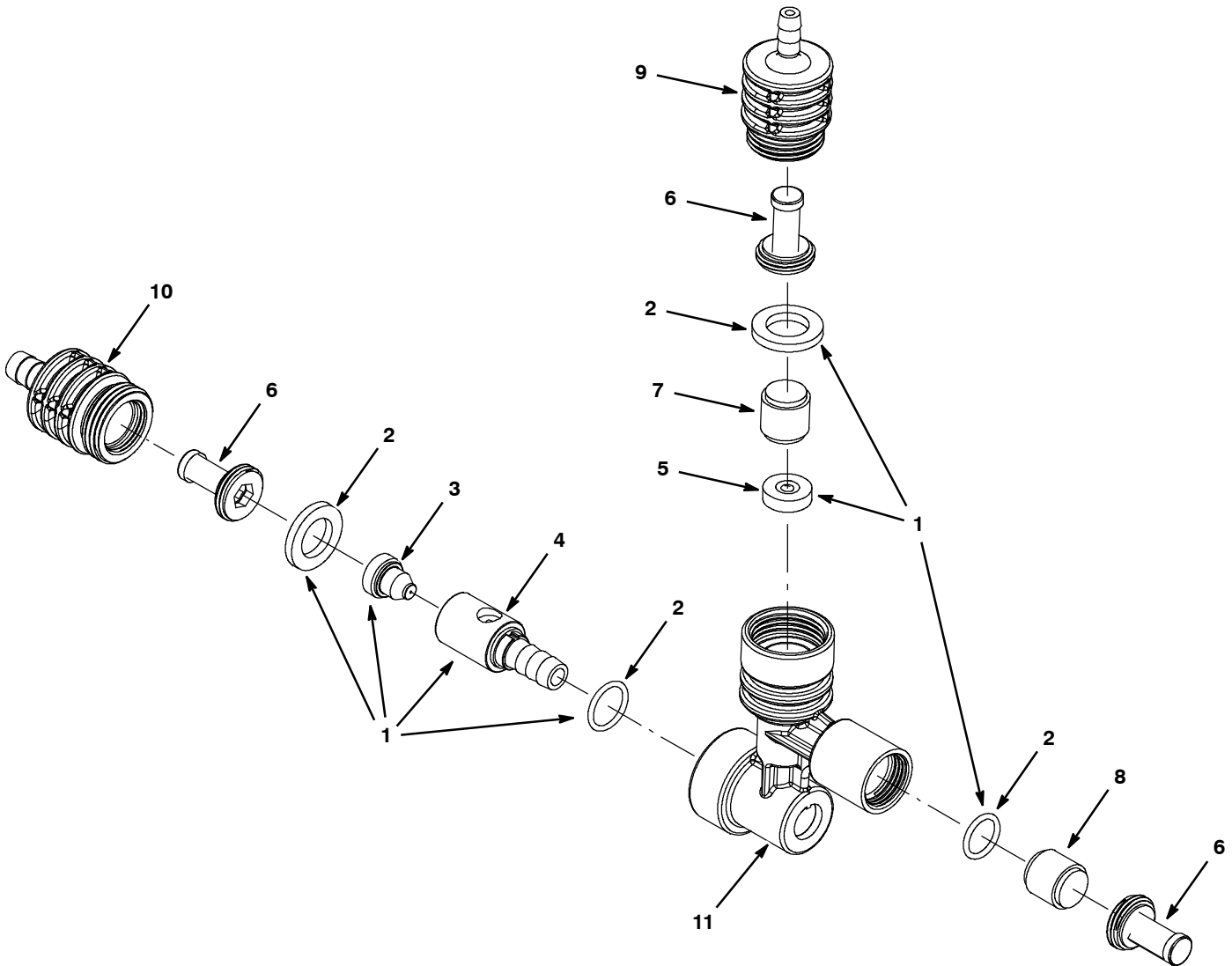
Ref.	Part No.	Serial Number	Description	Qty.
▽	9003906	(10477736- 10533368)	FaST Kit, Injector, Ci [T3/Ss3 FaST II+]	1
▲	1	9003802 (10477736- 10533368)	FaST Kit, Ci, Injector Rebuild [FaST II+]	1
▲	2	9003008 (10477736- 10533368)	FaST Kit, Ci, Injector Seals [FaST II+]	1
▲	3	9003009 (10477736-)	FaST Kit, Ci, Injector Filters [FaST II+]	1
▲	4	1039974 (10477736- 10533368)	Plate Assy, Orifice, 0.0065ld, Blk	1
▲	5	1039988 (10477736-)	Orifice, Plug, .027	1
▲	6	1030444 (10477736-)	Valve, Check, 0002psi, White, [FaST II+]	1
▲	7	1030441 (10477736-)	Valve, Check, 0005psi, Brown, [FaST II+]	1

▽ ASSEMBLY

▲ INCLUDED IN ASSEMBLY

STANDARD PARTS

9008847 FAST INJECTOR ASSEMBLY BREAKDOWN, DUAL DISK 60 CM MODEL (S/N 10538206-)

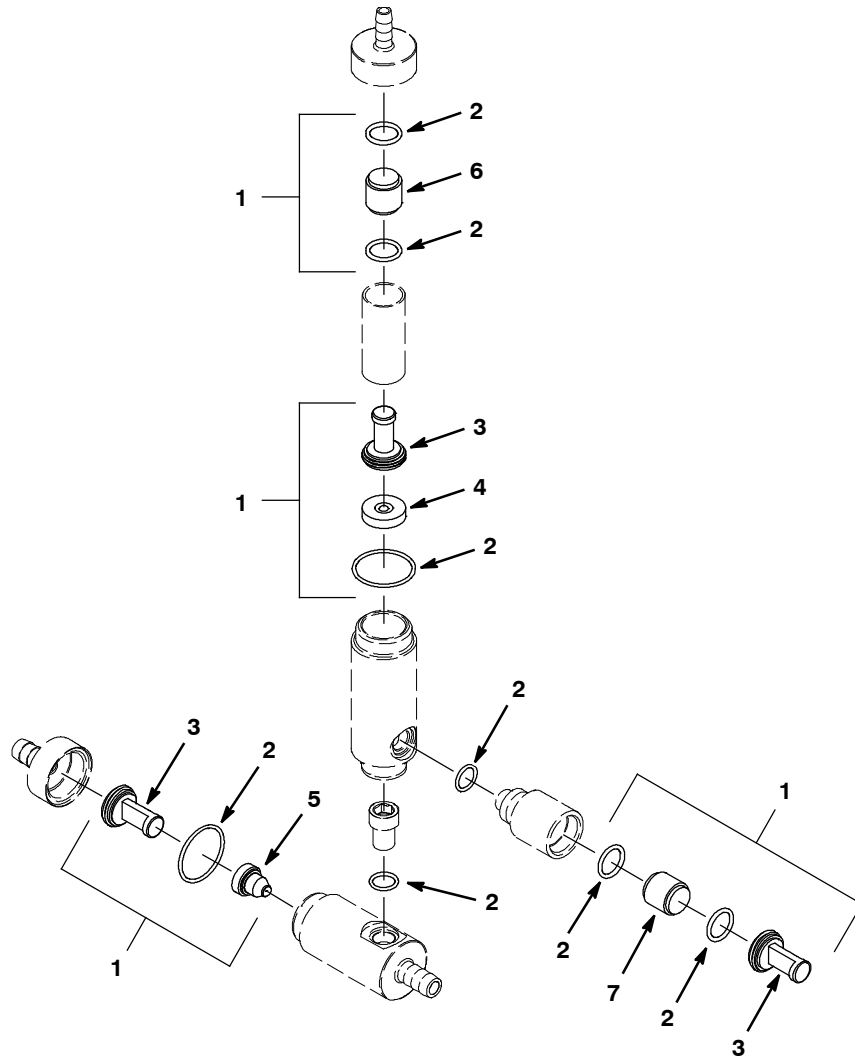


Ref.	Part No.	Serial Number	Description	Qty.
▽	9008847	(10538206-)	Fast Kit, Injector[T5 60/65cm, Fast lii]	1
▲▽	1	9003811	(10538206-) Fast Kit, Ci[Inj Reblid, T5 60/65cm, li+]	1
▲▲	2	9008848	(10538206-) Fast Kit, Seal, Injector, Ci [Fast lii]	1
▲▲	3	1039989	(10483942-) Plug, Orifice, 0.030, Ss [Fast li+]	1
▲▲	4	1059250	(10538206-) Insert, Venturi, Medium, [Fast lii]	1
▲▲	5	1059869	(10538206-) Plate Assy, Orifice, 0.007id, Red	1
▲	6	9003009	(10483942-) Fast Kit, Ci, Injector Filters[Fast li+]	1
▲	7	1030444	(10483942-) Valve, Check, 0002psi [Fast li+]	1
▲	8	1030441	(10483942-) Valve, Check, 0005psi [Fast li+]	1
▲	9	1058126	(10538206-) Housing, Fltr, Upper [Fast lii]	1
▲	10	1057811	(10538206-) Housing, Fltr, Lower [Fast lii]	1
▲	11	1053564	(10538206-) Housing, Body, Injector [Fast lii]	1

▽ ASSEMBLY

▲ INCLUDED IN ASSEMBLY

**9003907 FAST INJECTOR ASSEMBLY BREAKDOWN,
DUAL DISK 60 CM MODEL (S/N 10483942- 10538205)**

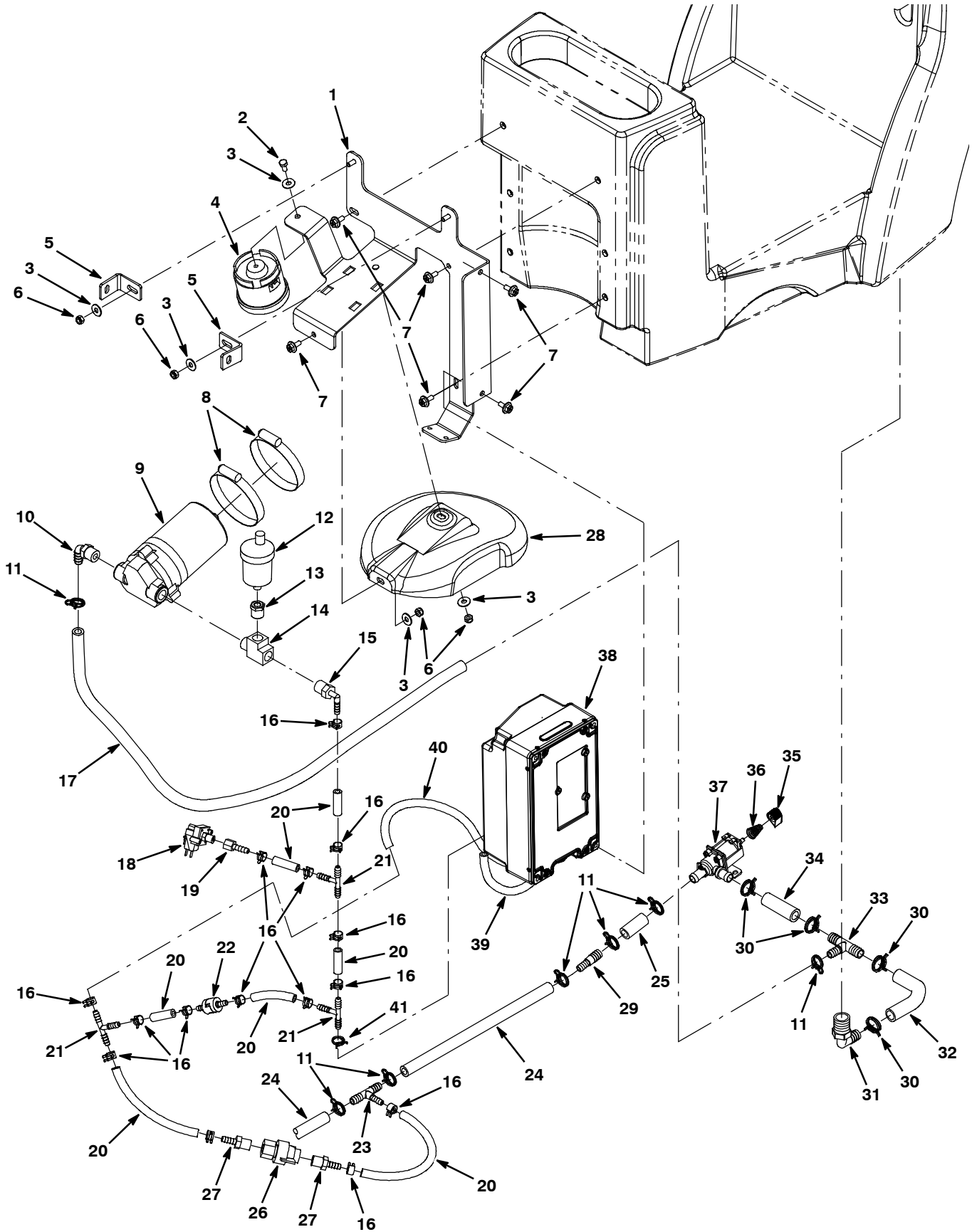


Ref.	Part No.	Serial Number	Description	Qty.
▽	9003907	(10483942- 10538205)	Fast Kit, Injector[T5 60/65cm, Fast li+]	1
▲	1	9003811 (10483942- 10538205)	Fast Kit, Ci[lnj Reblid, T5 60/65cm, li+]	1
▲	2	9003008 (10483942- 10538205)	Fast Kit, Ci, Injector Seals [Fast li+]	1
▲	3	9003009 (10483942-)	Fast Kit, Ci, Injector Filters[Fast li+]	1
▲	4	1032284 (10483942- 10538205)	Plate Assy, Orifice, 0.007id, Red	1
▲	5	1039989 (10483942-)	Plug, Orifice, 0.030, Ss [Fast li+]	1
▲	6	1030444 (10483942-)	Valve, Check, 0002psi [Fast li+]	1
▲	7	1030441 (10483942-)	Valve, Check, 0005psi [Fast li+]	1

▽ ASSEMBLY

▲ INCLUDED IN ASSEMBLY

SOLUTION GROUP, *ec-H2O* MODEL



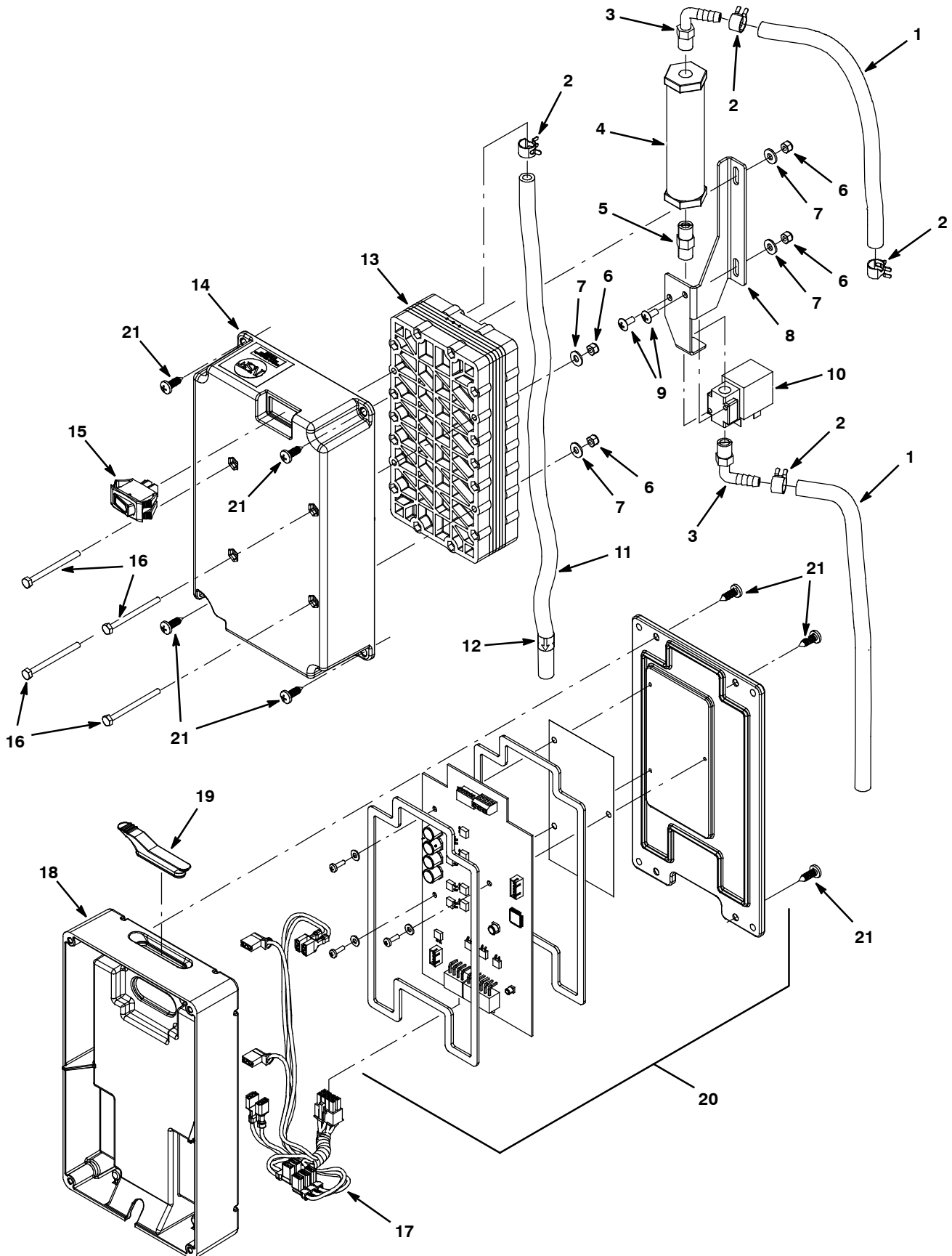
SOLUTION GROUP, *ec-H2O* MODEL

Ref.	Part No.	Serial Number	Description	Qty.	
1	1045820	(10477736-) Bracket, Mtg	1	
2	11635	(10477736-) Screw, Hex, M6 X 1.00 X 12, NI, Ss	1	
3	01684	(10477736-) Washer, Flat, 0.27b 0.69d .05, Ss	5	
4	1018505	(10477736-) Horn, 12- 48vdc [88.5 Decibels]	1	
5	1012544	(10477736-) Bracket, Sppt, Shrd	2	
6	08712	(10477736-) Nut, Hex, Lock, M6 X 1.00, NI, Ss	4	
7	1034731	(10477736-) Screw, Hex, M6 X 1.00 X 16, Sems, Ss	6	
8	43555	(10477736-) Clamp, Hose, Wormdrive, 2.50- 3.50d, .50w	2	
9	1042495	(10477736-) Pump, Soltn, Ele, 24vdc, 35psi	1	
10	1005630	(10477736-) Fitting, Plstc, E90, Bm06/Pm06, Nyl	1	
11	607775	(10477736-) Clamp, Hose, Wir, .63 - .66, Blk	7	
12	1017386	(10477736-) Valve, Vent, Air, Float Type	1	
13	24698	(10477736-) Fitting, Brs, Str, Pf02/Pm06	1	
14	601483	(10477736-) Fitting, Brs, Tee, Pf06/Pf06/Pm06, Run	1	
15	150417	(10477736-) Fitting, Plstc, E90, Bm04/Pm06	1	
16	603654	(10477736-) Clamp, Hose, Ear, .44d [Ctb]	13	
17	9004748	(10477736-) Hose, Pvc, Clr, 0.38id 0.62od 42l	1	
18	1044335	(10477736-) Switch, Press, 5psi, Pm02	1	
19	150520	(10477736-) Fitting, Brs, Str, Bm04/Pf02	1	
20	578820000	(10477736-) Hose, Pvc, Brd, 0.25id 0.44od 157.2l,Clr	1	
21	150713	(10477736-) Fitting, Plstc, Tee, Bm04/Bm04/Bm04	3	
22	1044334	(10477736-) Valve, Check, 0017psi Bm04/Bm04	1	
23	50895	(10477736-) Fitting, Plstc, Tee, Bm04/Bm06/Bm06, Br	1	
24	613451	(10477736-) Hose, Pyu, Clr, 0.38id 0.62od 012.0l	1	
25	1015071	(10477736-) Hose, Afmkt, Pvc, Clr, 0.50id, 01ft	1	
26	1043866	(10477736-) Fitting Assy, Qd, Pf04	1	
27	50901	(10477736-) Fitting, Plstc, Str, Bm04/Pm04	1	
28	1045902	(10477736-) Cover, Motor, Brush [T3 Ec- H2o]	1	
29	612774	(10477736-) Fitting, Plstc, Str, Bm06/Bm08	1	
30	607776	(10477736-) Clamp, Hose, Wir, .73 - .77, Silver	4	
31	1013505	(10477736-) Fitting, Plstc, E90, Bm08/Pm08, Nyl	1	
32	606241	(10477736-) Hose, Pvc, Clr, 0.50id 0.75od 006.0l	1	
33	630372	(10477736-) Fitting, Plstc, Tee, Bm06/Bm08/Bm08, Br	1	
34	069760725	(10477736-) Hose, Pvc, Clr, 0.50id 0.75od 003.0l	1	
35	1013442	(10477736-) Knob, Valve, Indicator, Blk	1	
36	1017091	(10477736-) Spring, Cmpr, 0.50od .04wir 00.8l	1	
37	1213803	(10729442-) Valve, Water, Solenoid, 24vdc, Bm10/Bm10	1	
▽	37	1062385	(10477736- 10729441) Valve, Water, Solenoid, 24vdc Bm10/Bm10	1	
▲		614265	(10477736- 10729441) Valve Kit, Water [Viton Diaphram]	1	
▽	38	9007970	(10477736-) Module Kit, Replmt [Ec- H2o] (See Breakdowns)	1
▲	39	9004606	(10477736-) Hose, Pvc, Brd, .25id .45od 46l, Clr	1
▲	40	578820000	(10477736-) Hose, Pvc, Brd, 0.25id 0.44od 157.2l,Clr	1
	41	613735	(10477736-) Clamp, Hose, Wir, .40 - .42, Yel	1

▽ ASSEMBLY

▲ INCLUDED IN ASSEMBLY

ec-H2O MODULE ASSEMBLY BREAKDOWN, 9007970



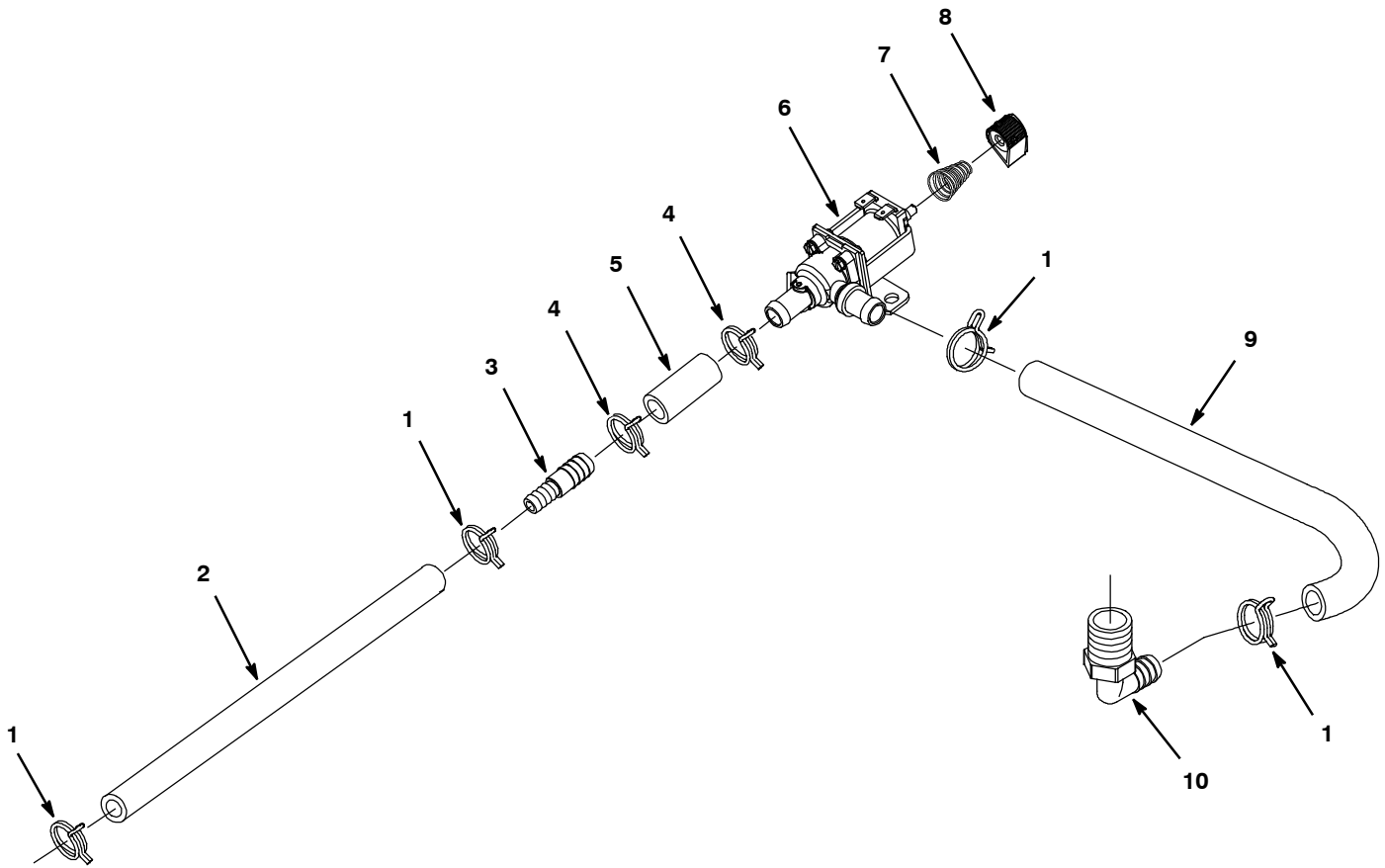
ec-H2O MODULE ASSEMBLY BREAKDOWN, 9007970

Ref.	Part No.	Serial Number	Description	Qty.
▽	9007970	(10477736-) Module Kit, Replmt [Ec- H2o]	1
▲▽	9006324	(10477736-) Ec- H2o Kit [Module B, Plumbing]	1
▲▲	1 578820000	(10477736-) Hose, Pvc, Brd, 0.25id 0.44od 157.2l,Clr	1
▲▲	2 603654	(10477736-) Clamp, Hose, Ear, .44d [Ctb]	4
▲▲	3 1037595	(10477736-) Fitting, Plstc, E90, Bm04/Pm02, Nyl	2
▲▲	4 1062006	(10477736-) Electrode, Cylindrical	1
▲▲	5 1045030	(10477736-) Fitting, Brs, Str, Pm02/Pm02	1
▲▲	6 33932	(10477736-) Nut, Hex, Lock, M4 X 0.70, NI, Ss	4
▲▲	7 41579	(10477736-) Washer, Flat, 08, Ss	4
▲▲	8 1048490	(10477736-) Bracket, Valve	1
▲▲	9 140801	(10477736-) Screw, Trs, Phl, 08- 32 X 0.38, Ss	2
▲▲	10 1013236	(10477736-) Valve, Shutoff, Ele, 24vdc	1
▲▲	11 9006574	(10477736-) Hose, Pvc, Brd, 0.25id 0.45od, 65l, Clr	1
▲▲	12 1049637	(10477736-) Label, Direction [Ec- H2o]	1
▲▲	13 1057637	(10477736-) Electrode, 5 Plate, High Flow	1
▲▲	14 1051519	(10477736-) Housing, Upper, Module, High Flow	1
▲▲	15 1044393	(10477736-) Switch, Rocker, Spst, Mom,	1
▲▲	16 32509	(10477736-) Screw, Hex, M4 X 0.70 X 50, Ss	4
▲▲	17 1049489	(10477736-) Harness, Main, Controller [Ec- H2o, P3]	1
▲	18 1037032	(10477736-) Housing, Bottom	1
▲	19 1054776	(10477736-) Grommet, Blind	1
▲	20 9007969	(10477736-) Controller Kit, Replmt [Ec- H2o]	1
▲	21 1018155	(10477736-) Screw, Pan, Phl, M5 X 0.80 X 16, Tcut,Ss	8

▽ ASSEMBLY

▲ INCLUDED IN ASSEMBLY

SOLUTION GROUP, STANDARD MODEL



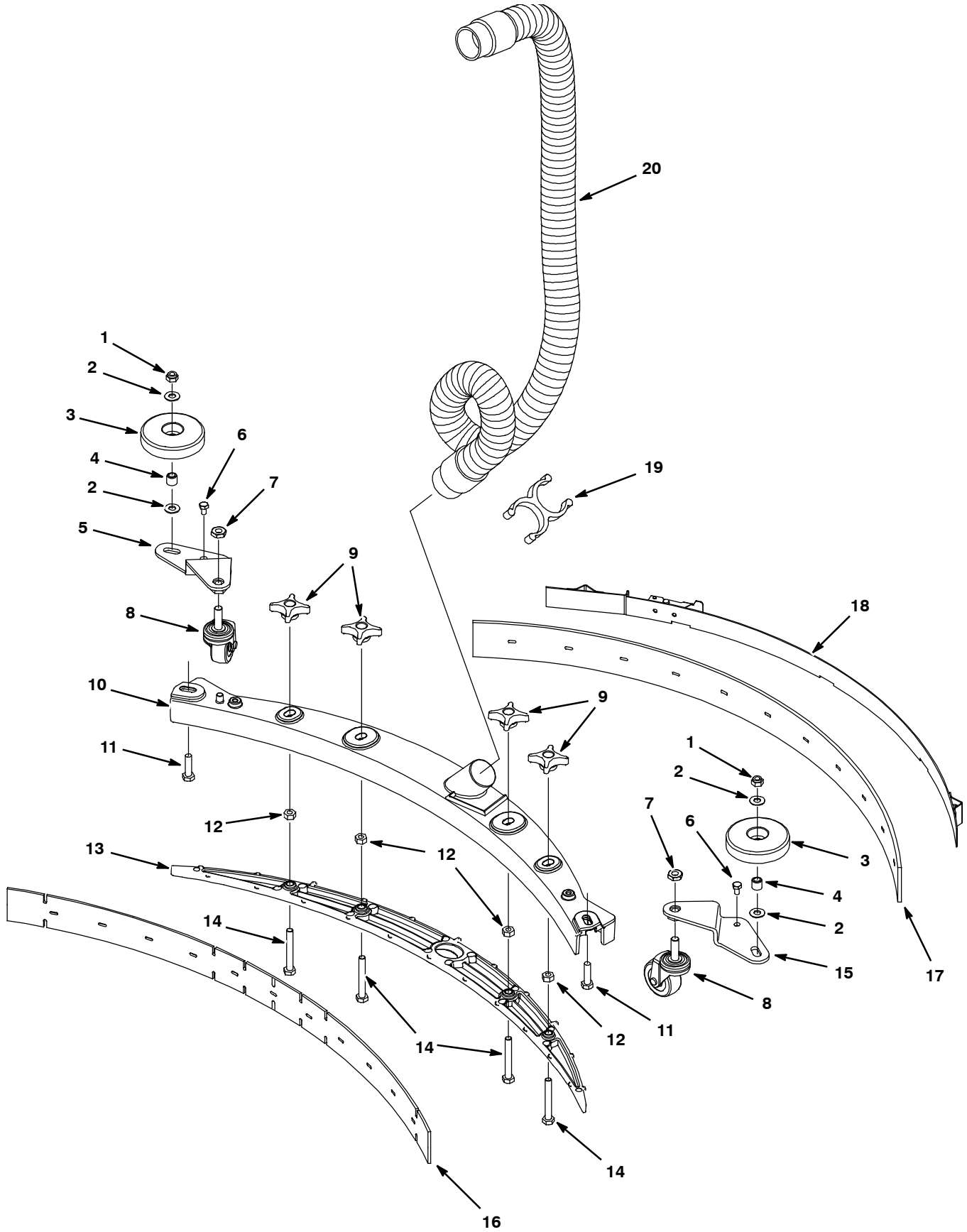
SOLUTION GROUP, STANDARD MODEL

Ref.	Part No.	Serial Number	Description	Qty.	
1	607775	(10477736-) Clamp, Hose, Wir, .63 - .66, Blk	4	
2	613444	(10477736-) Hose, Pyu, Clr, 0.38id 0.62od 020.0l	1	
3	612774	(10477736-) Fitting, Plstc, Str, Bm06/Bm08	1	
4	607776	(10477736-) Clamp, Hose, Wir, .73 - .77, Silver	2	
5	606225	(10477736-) Hose, Pvc, Clr, 0.50id 0.75od 001.8l	1	
6	1213803	(10729442-) Valve, Water, Solenoid, 24vdc, Bm10/Bm10	1	
▽	6	1062385	(10477736- 10729441) Valve, Water, Solenoid, 24vdc Bm10/Bm10	1	
▲		614265	(10477736- 10729441) Valve Kit, Water [Viton Diaphram]	1	
	7	1017091	(10477736-) Spring, Cmpr, 0.50od .04wir 00.8l	1
	8	1013442	(10477736-) Knob, Valve, Indicator, Blk	1
	9	613518	(10477736-) Hose, Pvc, Clr, 0.50id 0.75od 008.0l	1
	10	1013505	(10477736-) Fitting, Plstc, E90, Bm08/Pm08, Nyl	1

▽ ASSEMBLY

▲ INCLUDED IN ASSEMBLY

SQUEEGEE GROUP



SQUEEGEE GROUP

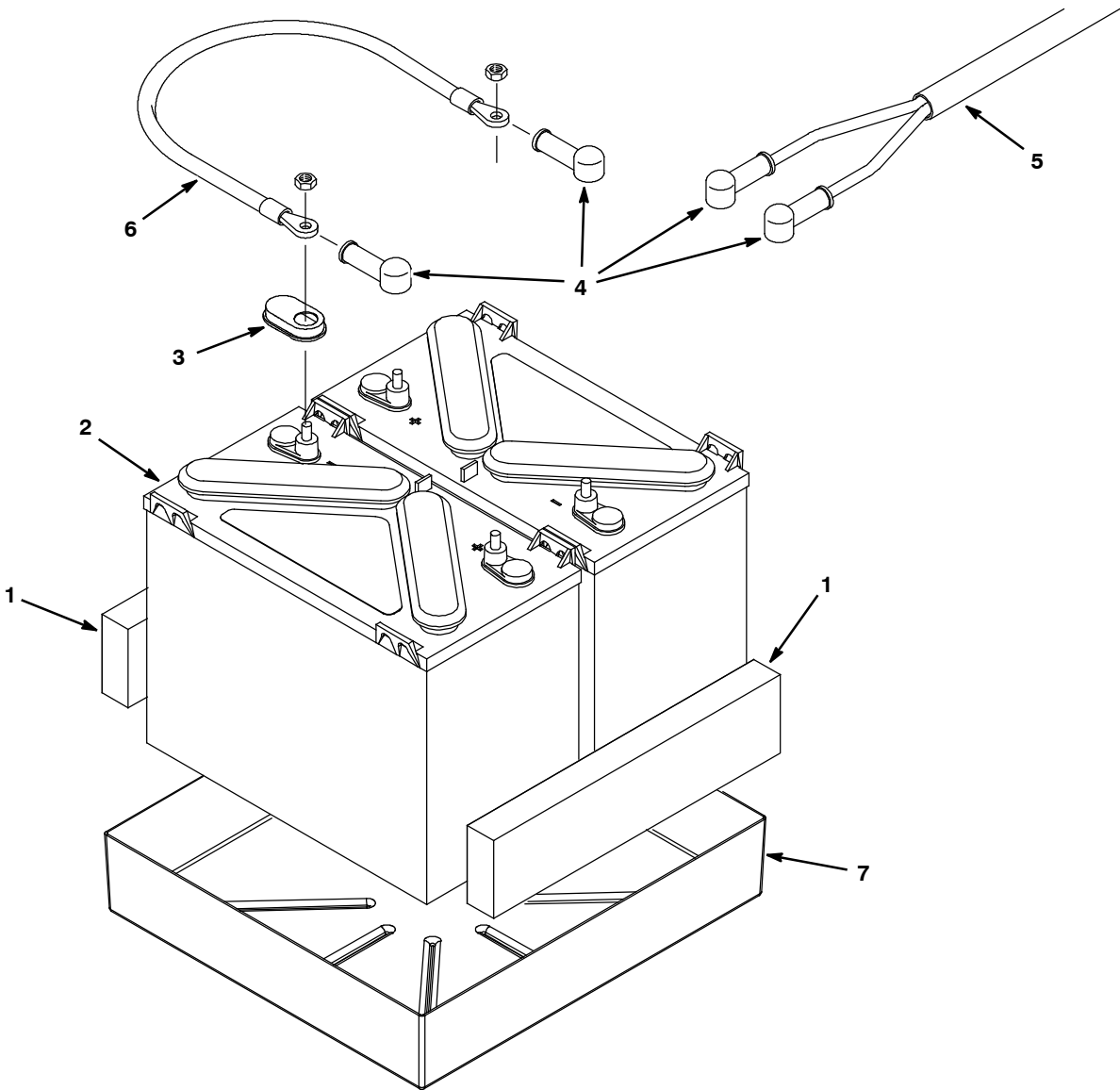
Ref.	Part No.	Serial Number	Description	Qty.
▽	9001178	(10477736-) Squeegee Assy Kit, 500mm, Ci	1
▲	1 08713	(10477736-) Nut, Hex, Lock, M8 X 1.25, NI, Ss	2
▲	2 140027	(10477736-) Washer, Flat, 0.35b 0.75d .04, Ss	4
▲	3 1010560	(10477736-) Wheel, Bmpr, 80d X 25w, Non- Marking	2
▲	4 222460	(10477736-) Sleeve, P/M, 0.31b 0.50d 0.5l [430ss]	2
▲	5 1011228	(10477736-) Plate, Mtg, Caster, Sqge, Rh	1
▲	6 74455	(10477736-) Screw, Hex, M6 X 1.0 X 12, Fmg	2
▲	7 32716	(10477736-) Nut, Hex, Jam, M10 X 1.5, Ss	2
▲	8 1006343	(10477736-) Caster, Swivel, 50mmd, M10 X 30, Clr PI	2
▲	9 1010558	(10477736-) Knob, Star, 2.00d 4ear 0.7l M8x1.25,Thru	4
▲	10 1011163	(10477736-) Frame, Sqge, 74cm, Die Cast [50cm - T3]	1
▲	11 09011	(10477736-) Screw, Hex, M8 X 1.25 X 30, Ss	2
▲	12 07786	(10477736-) Nut, Hex, Std, M8 X 1.25, Ss	4
▲	13 1019919	(10477736-) Retainer, Sqge, 76cm Nyl, Blk [50cm- T3]	1
▲	14 1014163	(10477736-) Screw, Hex, M8 X 1.25 X 60, Fl, Ss	4
▲	15 1011956	(10477736-) Plate, Mtg, Caster, Sqge, Lh	1
▲	16 1011232	(10477736-) Blade, Sqge, Front, 784l, Linatex[500mm] (Standard)	1
	16 1014091	(10477736-) Blade, Sqge, Front, 784mml Gum [500mm] (Optional)	1
	16 1014092	(10477736-) Blade, Sqge, Front, 784mml Oil- Rstn (Optional)	1
▲	17 1011456	(10477736-) Blade, Sqge, Rear, 32.68l Linatex[500mm] (Standard)	1
	17 1014093	(10477736-) Blade, Sqge, Rear, 32.68l Gum [500mm] (Optional)	1
	17 1014094	(10477736-) Blade, Sqge, Rear, 32.68l Pyu [500mm] (Optional)	1
▲	18 1013933	(10477736-) Strap Assy, Sqge, 500mm [Triple Threat]	1
	19 1014079	(10477736-) Clip, Grip, Hose, 1.50id, Dbl, Blk Pyp	1
	20 1014026	(10477736-) Hose, Vacuum, 1.50id X 057.0l, 2cuff	1

▽ ASSEMBLY

▲ INCLUDED IN ASSEMBLY

STANDARD PARTS

BATTERY GROUP, 12V/155AH, 50 cm (20 in) / 60 cm (24 in) DRIVE MODEL

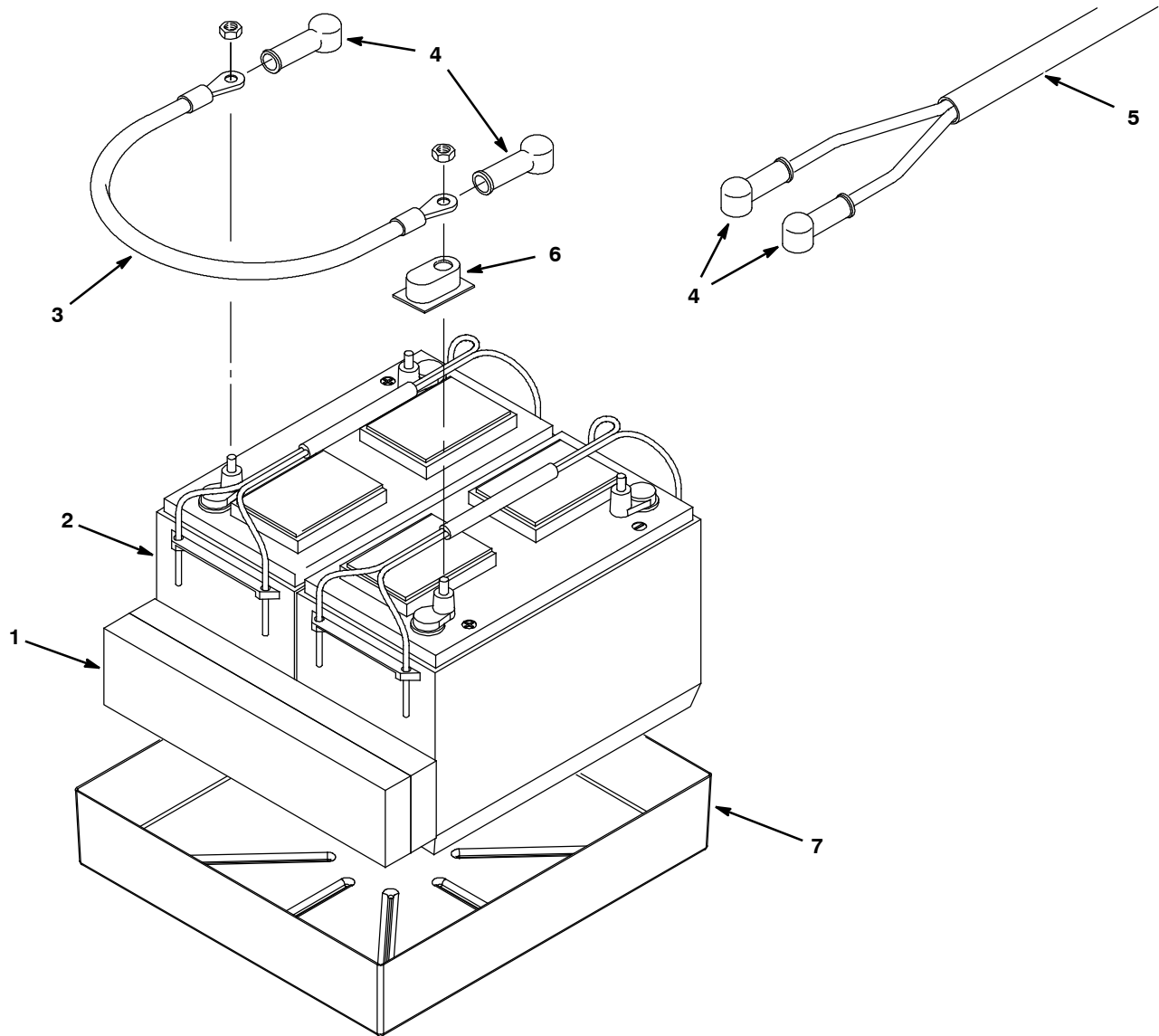


Ref.	Part No.	Serial Number	Description	Qty.	
1	630375	(10477736-) Spacer, Battery, 1.25 X 3.3 X 13.7, Foam	2	
▽	2	1015046	(10477736-) Battery, Wet, 12vdc 0155ah	2
▲	3	1041030	(10477736-) Cap, Battery (Short Black)	4
	4	611221	(10477736-) Boot, Terminal, Battery, 25.4mm, Blk	4
	5	1015941	(10477736-) Harness, Battery [T3]	1
	6	130364	(10477736-) Cable, 06ga 15.0l Blk .31ring /.38ring	1
	7	1059486	(10477736-) Tray, Battery [Ss3 / T3]	1

▽ ASSEMBLY

▲ INCLUDED IN ASSEMBLY

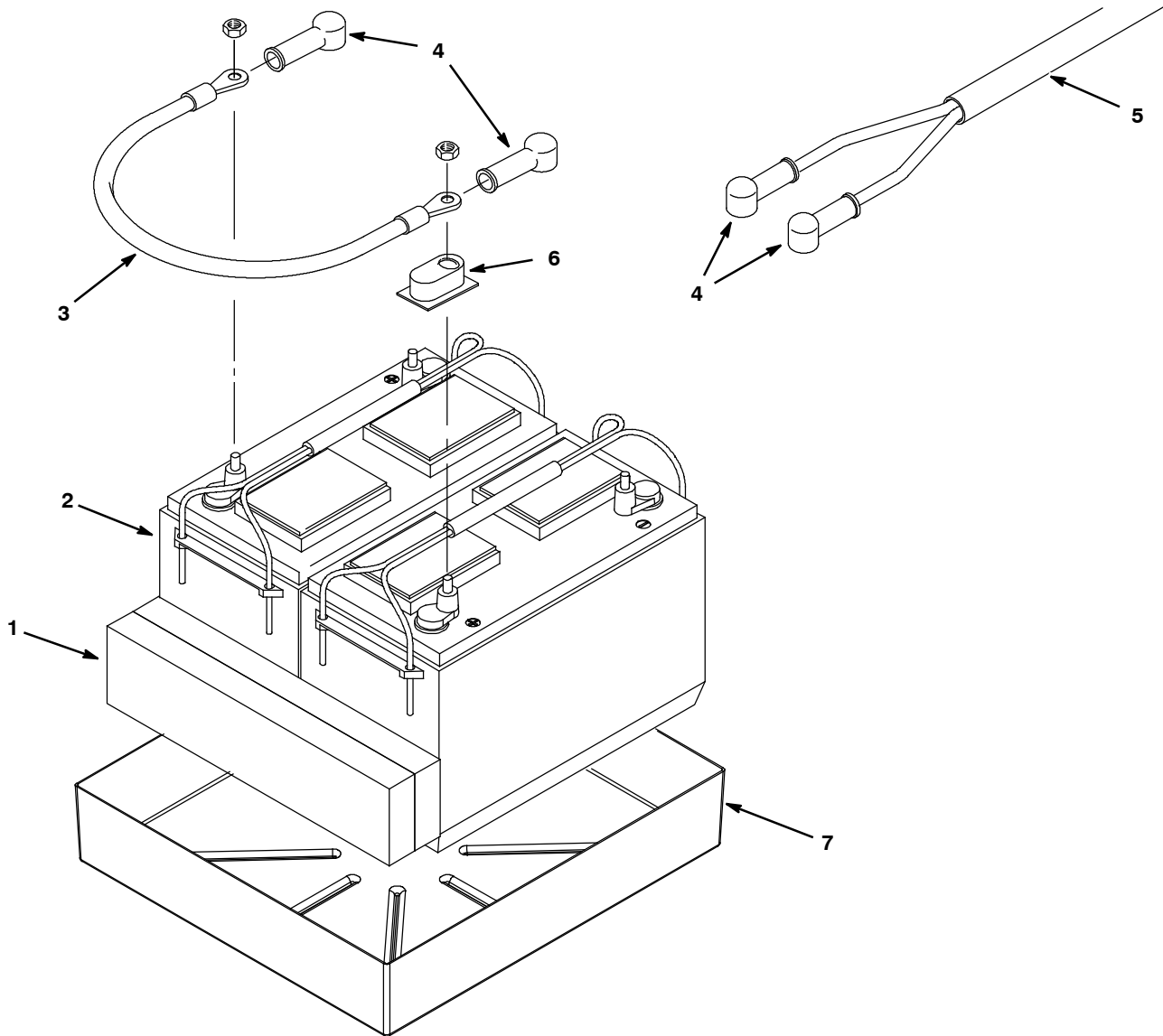
BATTERY GROUP, 12V/130AH, 50 cm (20 in) BRUSH ASSIST MODEL



Ref.	Part No.	Serial Number	Description	Qty.
1	630375	(10477736-) Spacer, Battery, 1.25 X 3.3 X 13.7, Foam	2
2	130869	(10477736-) Battery, 12vdc 0130ah [30xhs- Wnt]	2
3	130364	(10477736-) Cable, 06ga 15.0l Blk .31ring /.38ring	1
4	611221	(10477736-) Boot, Terminal, Battery, 25.4mm, Blk	4
5	1015941	(10477736-) Harness, Battery [T3]	1
6	45962	(10477736-) Cap, Plstc, .04 1.38 X 2.30 0.5l (Tall Clear)	4
6	1041030	(10477736-) Cap, Battery (Short Black)	4
7	1059486	(10477736-) Tray, Battery [Ss3 / T3]	1

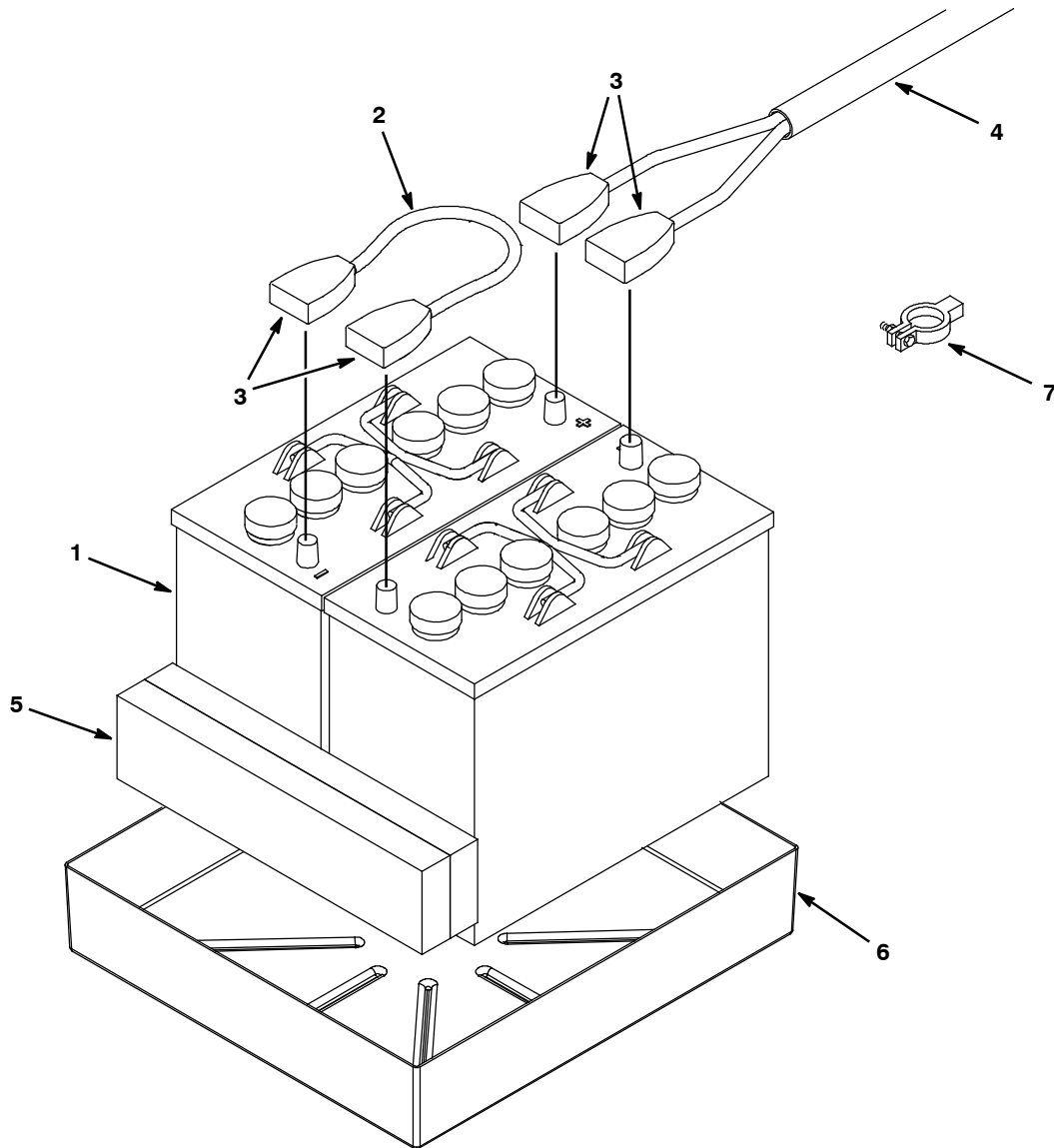
STANDARD PARTS

BATTERY GROUP, 12V/105AH, 43 cm (17 in) BRUSH ASSIST MODEL



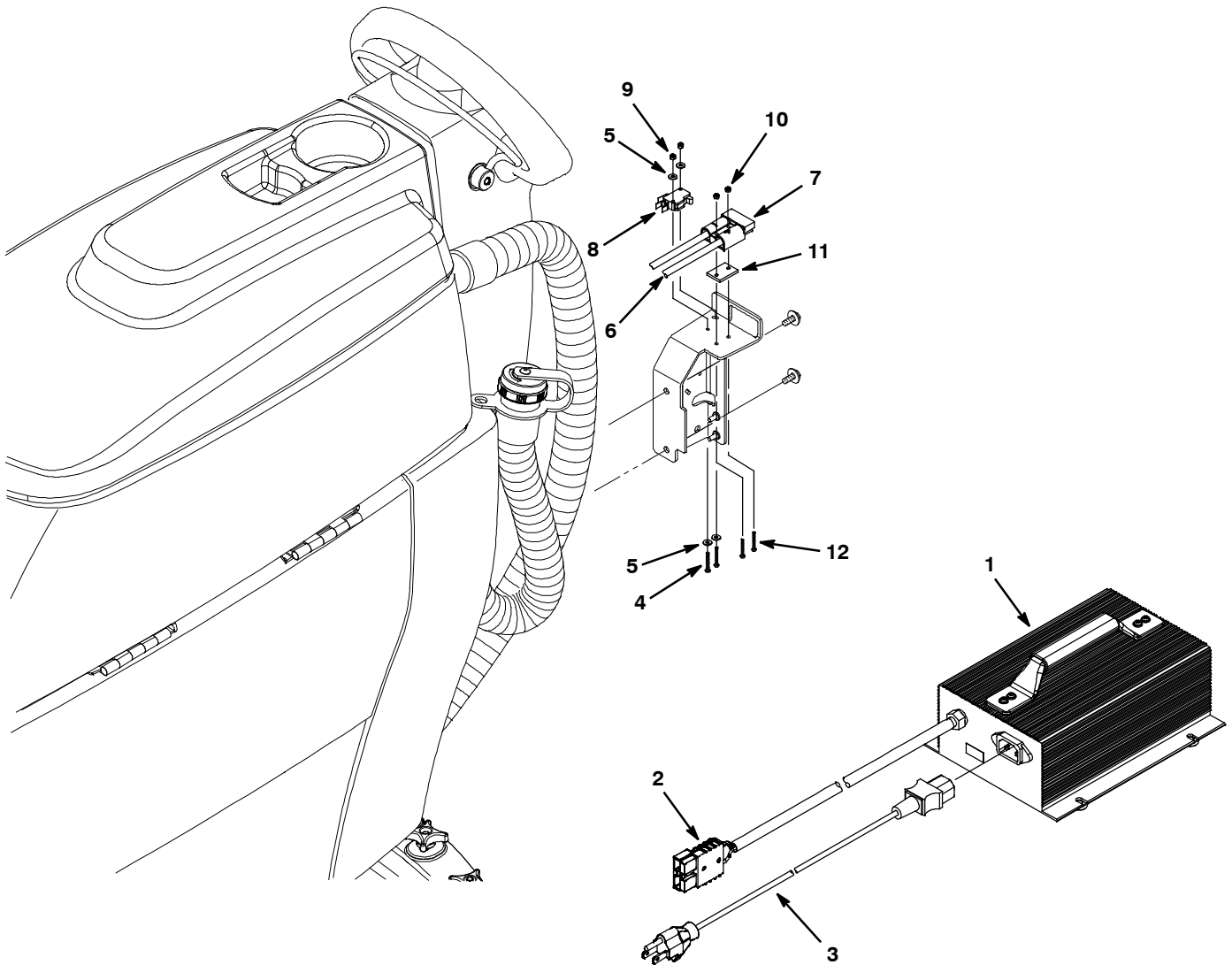
Ref.	Part No.	Serial Number	Description	Qty.
1	630375	(10477736-) Spacer, Battery, 1.25 X 3.3 X 13.7, Foam	2
2	578426	(10477736-) Battery, 12vdc 0105ah 0530cca [27tmx]	2
2	130869	(10477736-) Battery, 12vdc 0130ah [30Xhs- Wnt] (Japan)	2
3	130364	(10477736-) Cable, 06ga 15.0l Blk .31ring /.38ring	1
4	611221	(10477736-) Boot, Terminal, Battery, 25.4mm, Blk	4
5	1015941	(10477736-) Harness, Battery [T3]	1
6	45962	(10477736-) Cap, Plstc, .04 1.38 X 2.30 0.5l (Tall Clear)	4
6	1041030	(10477736-) Cap, Battery (Short Black)	4
7	1059486	(10477736-) Tray, Battery [Ss3 / T3]	1

**BATTERY GROUP, MAINTENANCE FREE, 12V/105AH
(JAPAN MARKET)**



Ref.	Part No.	Serial Number	Description	Qty.
1	994201	(10477736-) Battery, Gel, 12vdc 0105ah [Gf12105v C5]	2
2	130364	(10477736-) Cable, 06ga 15.0l Blk .31ring /.38ring	1
3	989860	(10477736-) Cover Set, Terminal, Battery (Set of 2)	2
4	1015941	(10477736-) Harness, Battery [T3]	1
5	630375	(10477736-) Spacer, Battery, 1.25 X 3.25 X 13.7 Foam	2
6	1059486	(10477736-) Tray, Battery [Ss3 / T3]	1
7	93580	(10477736-) Clamp, Post, Battery, Positive	2
7	93581	(10477736-) Clamp, Post, Battery, Negative	2

OFF-BOARD BATTERY CHARGER GROUP



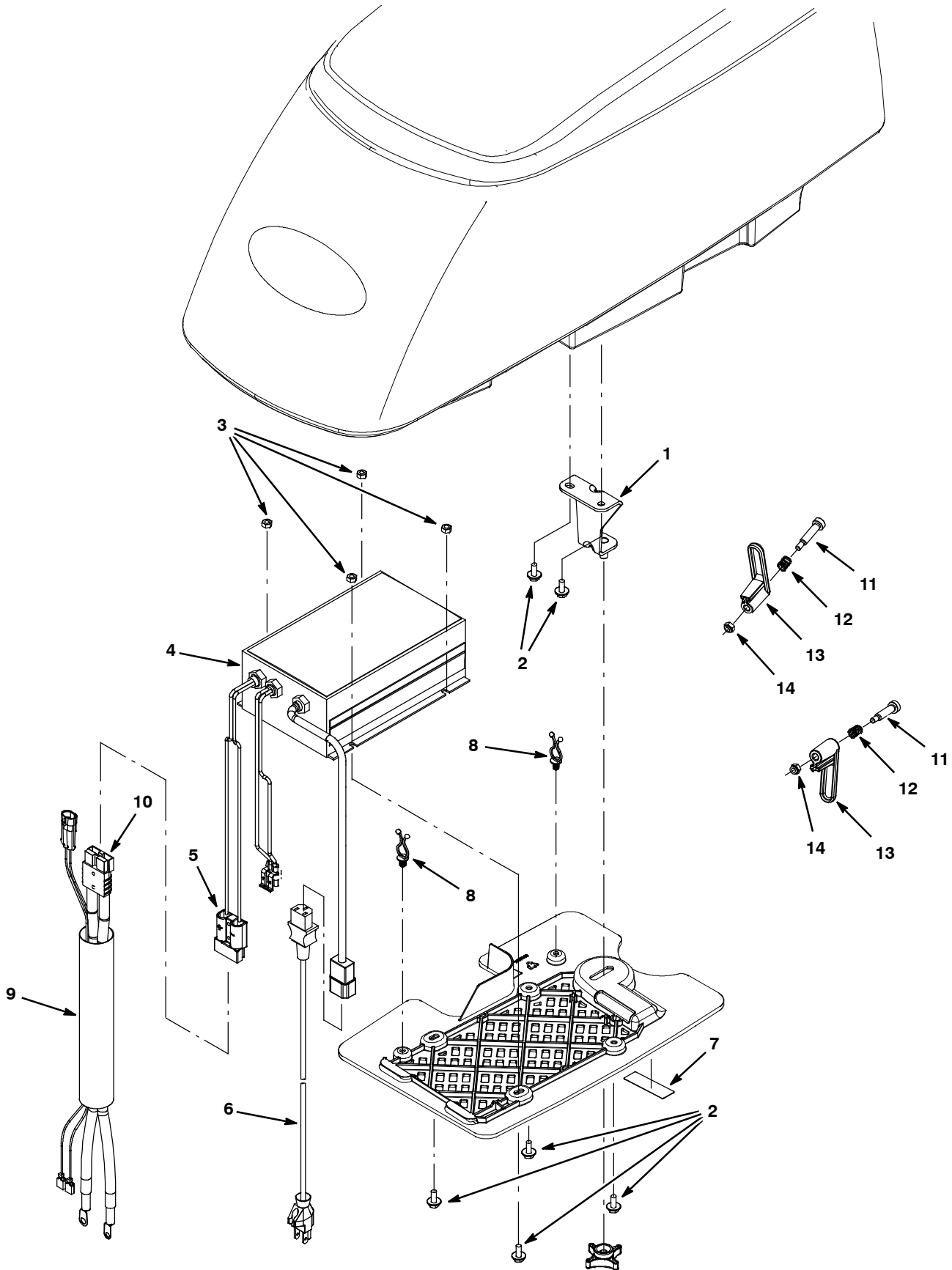
OFF-BOARD BATTERY CHARGER GROUP

	Ref.	Part No.	Serial Number	Description	Qty.
▽	1	1073638	(10477736-) Charger, 24vdc 11a Var Vac 1ph 50/60hz	1
▲	2	605387	(10477736-) Connector, Anderson, 50a,Red W/O Contact	1
	3	1025642	(10477736-) Cord, Power, 16/3, 4.5 Meters, Blk [Us] (US)	1
	3	989584	(10477736-) Power Cord With Plug, [125v12a]#4.5m (Japan)	1
	3	1026330	(10477736-) Cord, Power,1.0mm2 X 2.5 Meters [China]	1
	3	1026325	(10477736-) Cord, Power, 1.0mm2 X 2.5 Meters [Aus]	1
	3	1032849	(10477736-) Cord, Power, 2.5 Meter, Black [Ce]	1
▽	1	9009308	(10477736-) Charger Kit, 24vdc, 11a Var 50/60hz[Kor] (Korea)	1
▲	2	605387	(10477736-) Connector, Anderson, 50a,Red W/O Contact	1
▲	3	1070626	(10477736-) Cord, Power, 2.5m L, 7mm Dia, Blk[Korea]	1
	4	06922	(10477736-) Screw, Pan, M3 X 0.50 X 20, 4.8	2
	5	41578	(10477736-) Washer, Flat, #06, Ss	4
▽	6	1033362	(10477736-) Harness, Chrgr	1
▲	7	605387	(10477736-) Connector, Anderson, 50a,Red W/O Contact	1
	8	611005	(10477736-) Switch, Rlr, 16a, Micro	1
	9	579211	(10477736-) Nut, Hex, Lock, M3 X 0.50, Ss	2
	10	33932	(10477736-) Nut, Hex, Lock, M4 X 0.70, NI, Ss	2
	11	603331	(10477736-) Spacer, Plug, Chrgr	1
	12	1033197	(10477736-) Screw, Pan, M4x0.7x24, Phl, Ss [7985]	2

▽ ASSEMBLY

▲ INCLUDED IN ASSEMBLY

ON-BOARD BATTERY CHARGER GROUP



ON-BOARD BATTERY CHARGER GROUP

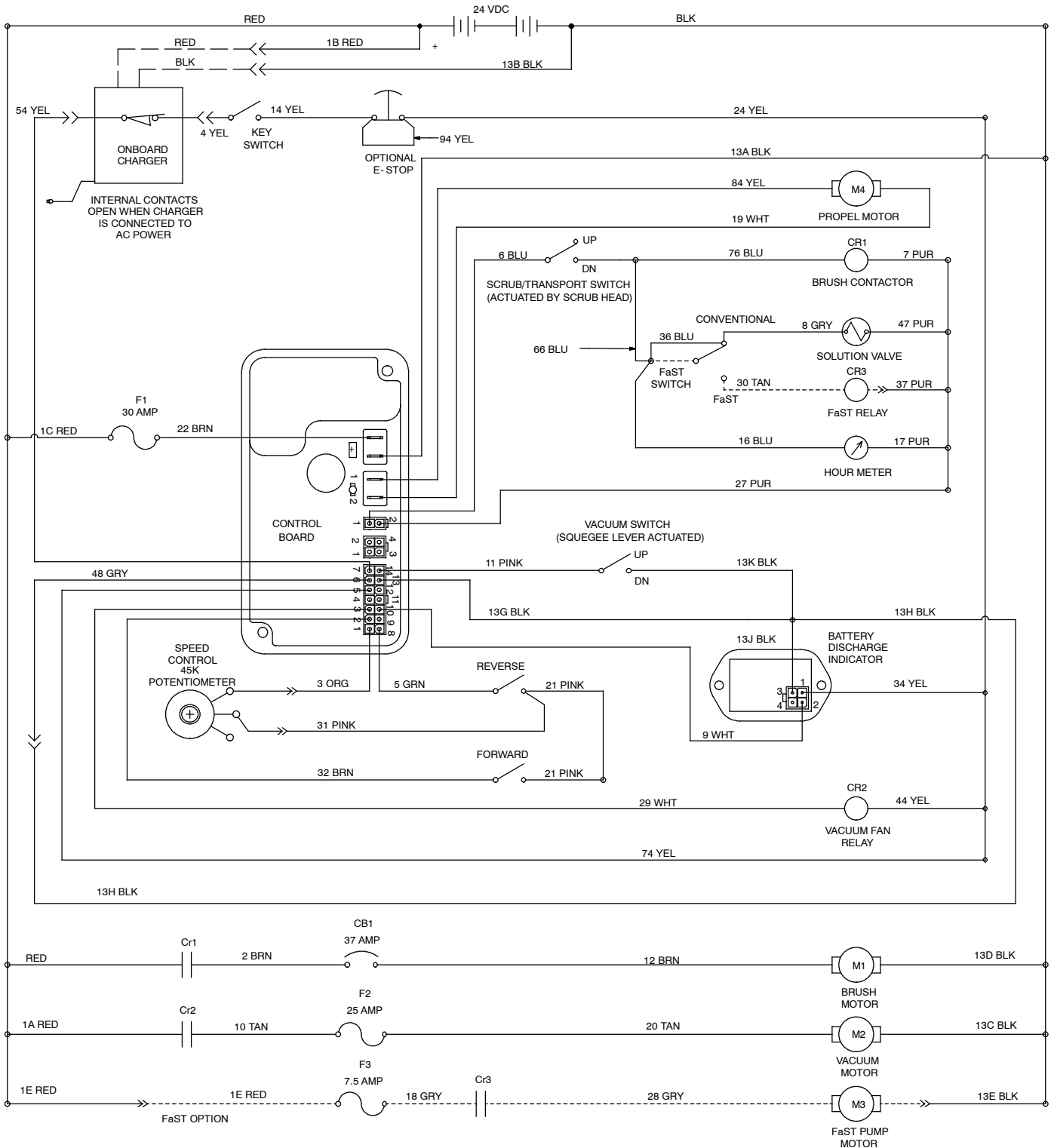
Ref.	Part No.	Serial Number	Description	Qty.	
1	1038222	(10477736-) Bracket, Wldt, Charger Cover	1	
2	1034731	(10477736-) Screw, Hex, M6 X 1.00 X 16, Sems, Ss	6	
3	08712	(10477736-) Nut, Hex, Lock, M6 X 1.00, NI, Ss	4	
▽	4	1073177	(10477736-) Charger, 24vdc 11a 100/240vac 50/60hz	1
▲	5	605387	(10477736-) Connector, Anderson, 50a,Red W/O Contact	1
6	1025642	(10477736-) Cord, Power, 16/3, 4.5 Meters, Blk [Us] (US)	1	
6	989584	(10477736-) Power Cord With Plug, [125v12a]#4.5m (Japan)	1	
7	1039220	(10477736-) Label, Chrgr Led Indicator	1	
8	30406	(10477736-) Clip, Keeper	2	
▽	9	1037813	(10477736-) Harness, Chrgr, Onboard [T3- Hd]	1
▲	10	605387	(10477736-) Connector, Anderson, 50a,Red W/O Contact	1
11	1024965	(10477736-) Bolt, Shld, 8mmd X 30, M6x1.0	2	
12	611311	(10477736-) Spring, Cmpr, 10.9d, 1.1w, 12.7l Mw Zn	2	
13	610906	(10477736-) Hook, Cord Viper	2	
14	08712	(10477736-) Nut, Hex, Lock, M6 X 1.00, Ss, NI	2	

▽ ASSEMBLY

▲ INCLUDED IN ASSEMBLY

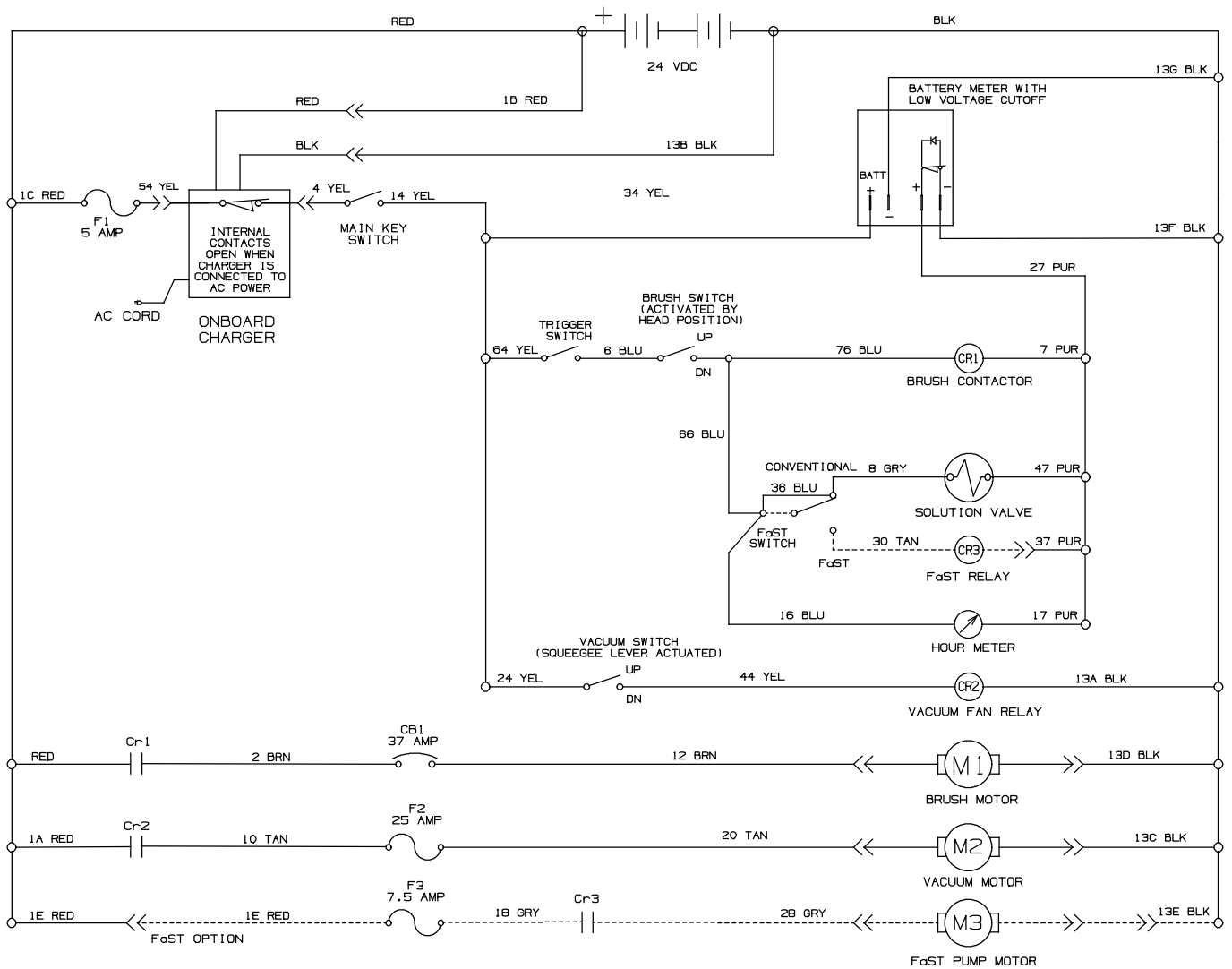
ELECTRICAL DIAGRAM, DRIVE STANDARD & FAST MODEL

1043407



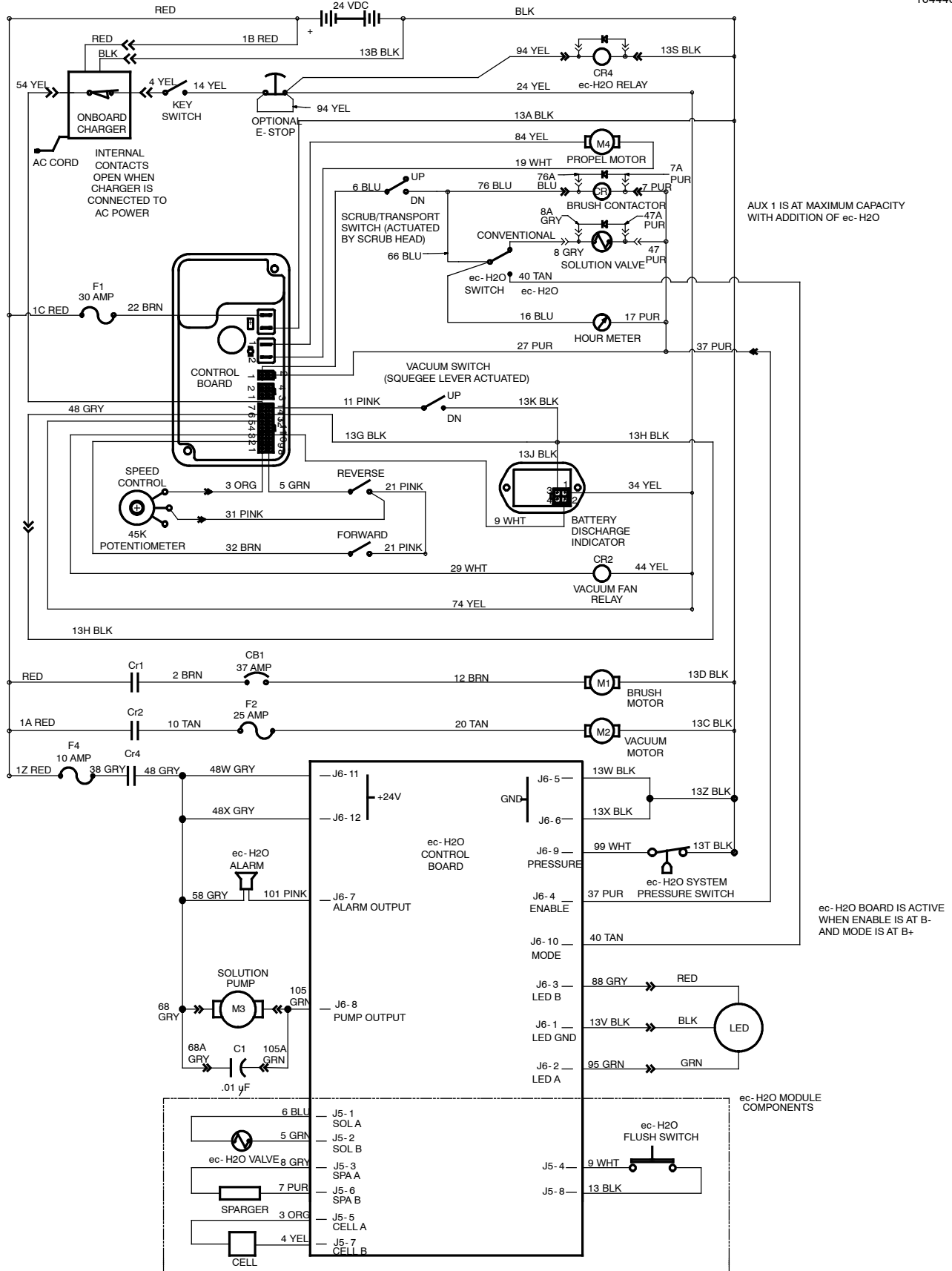
ELECTRICAL DIAGRAM, BRUSH ASSIST STANDARD & FAST MODEL

1043446



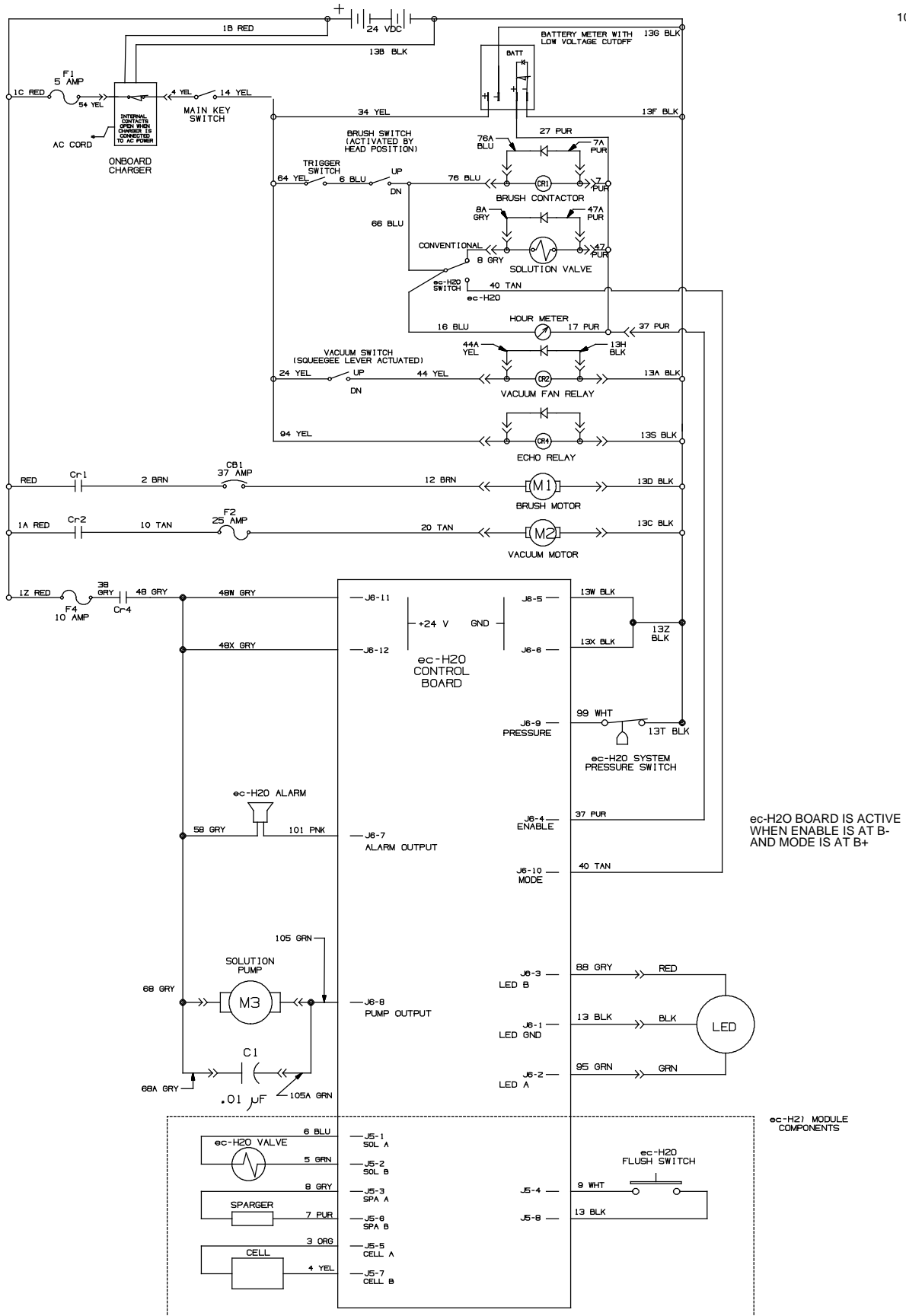
ELECTRICAL DIAGRAM, DRIVE *ec-H2O* MODEL

1044402



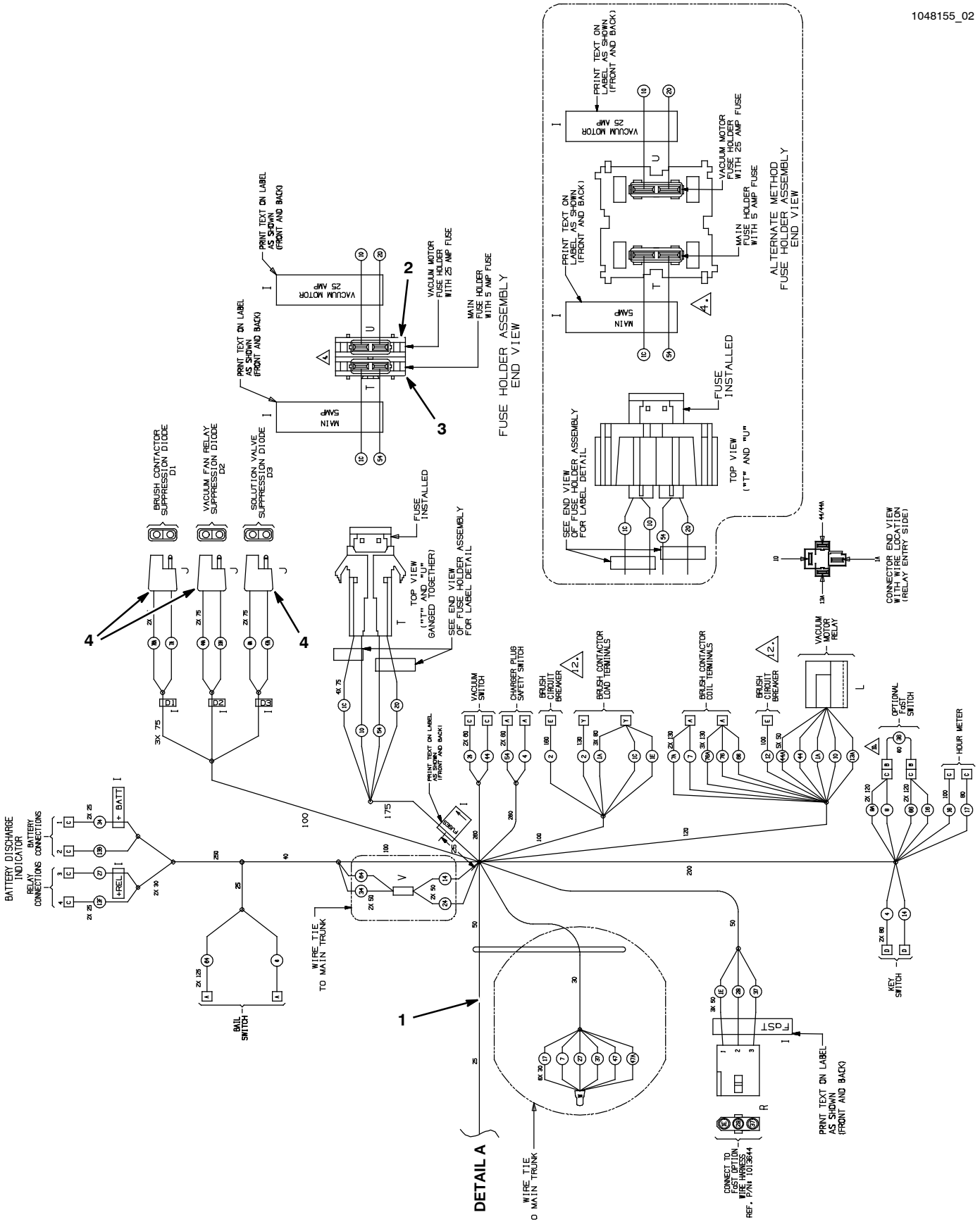
ELECTRICAL DIAGRAM, BRUSH ASSIST *ec-H2O* MODEL

1044426



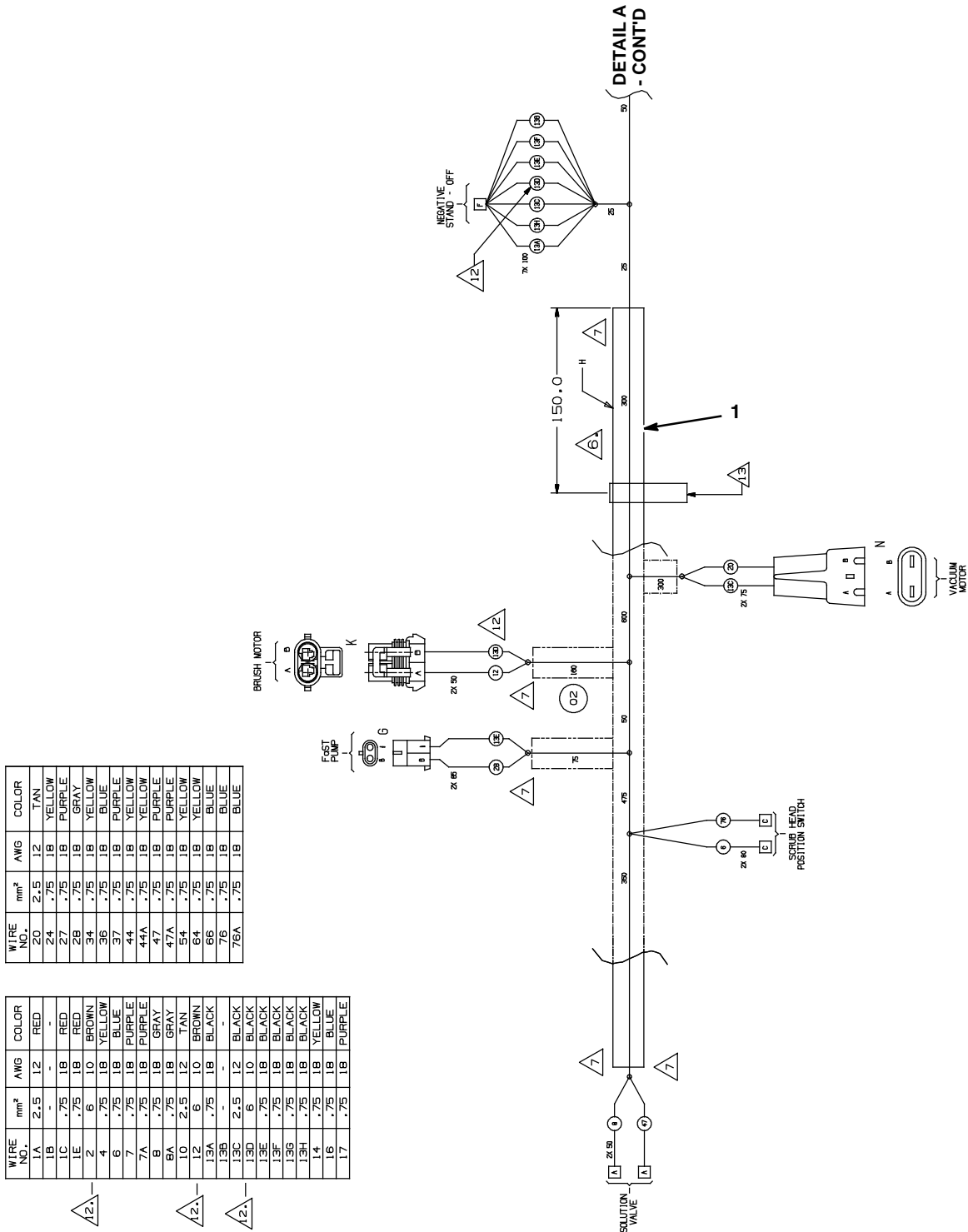
WIRE HARNESS, MAIN, BRUSH ASSIST MODEL

1048155_02



WIRE HARNESS, MAIN, BRUSH ASSIST MODEL - CONT'D

1048155_02

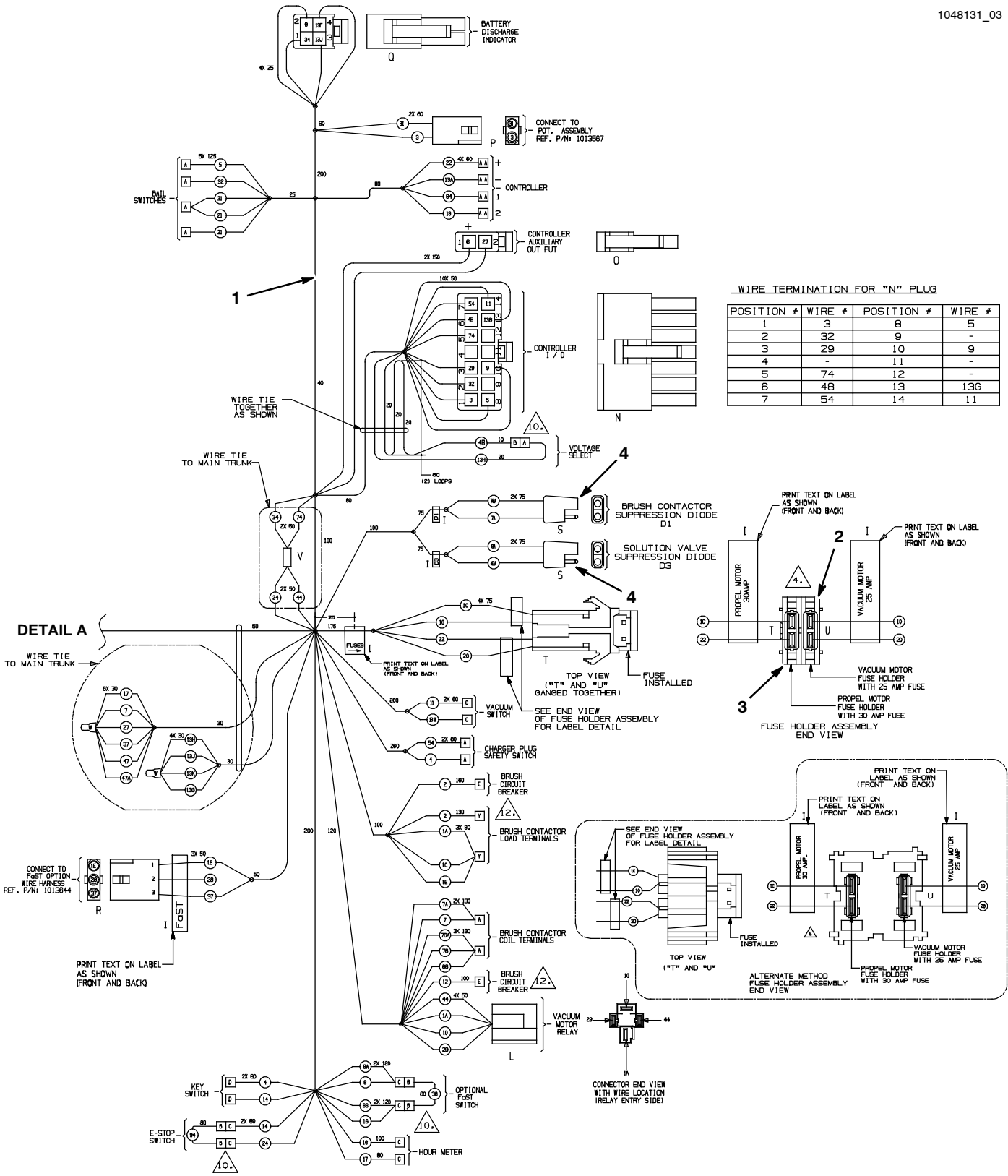


Ref.	Part No.	Serial Number	Description	Qty.
▽	1	9006229	(10477736-) Harness Kit, Main, Push [T3 Na]	1
▲	2	1016040	(10477736-) Fuse, Blade, 025a, 32vdc	1
▲	3	1016029	(10477736-) Fuse, Blade, 005a, 32vdc	1
▲	4	222290	(10477736-) Diode, Ele, Plug	3

▽ ASSEMBLY
 ▲ INCLUDED IN ASSEMBLY

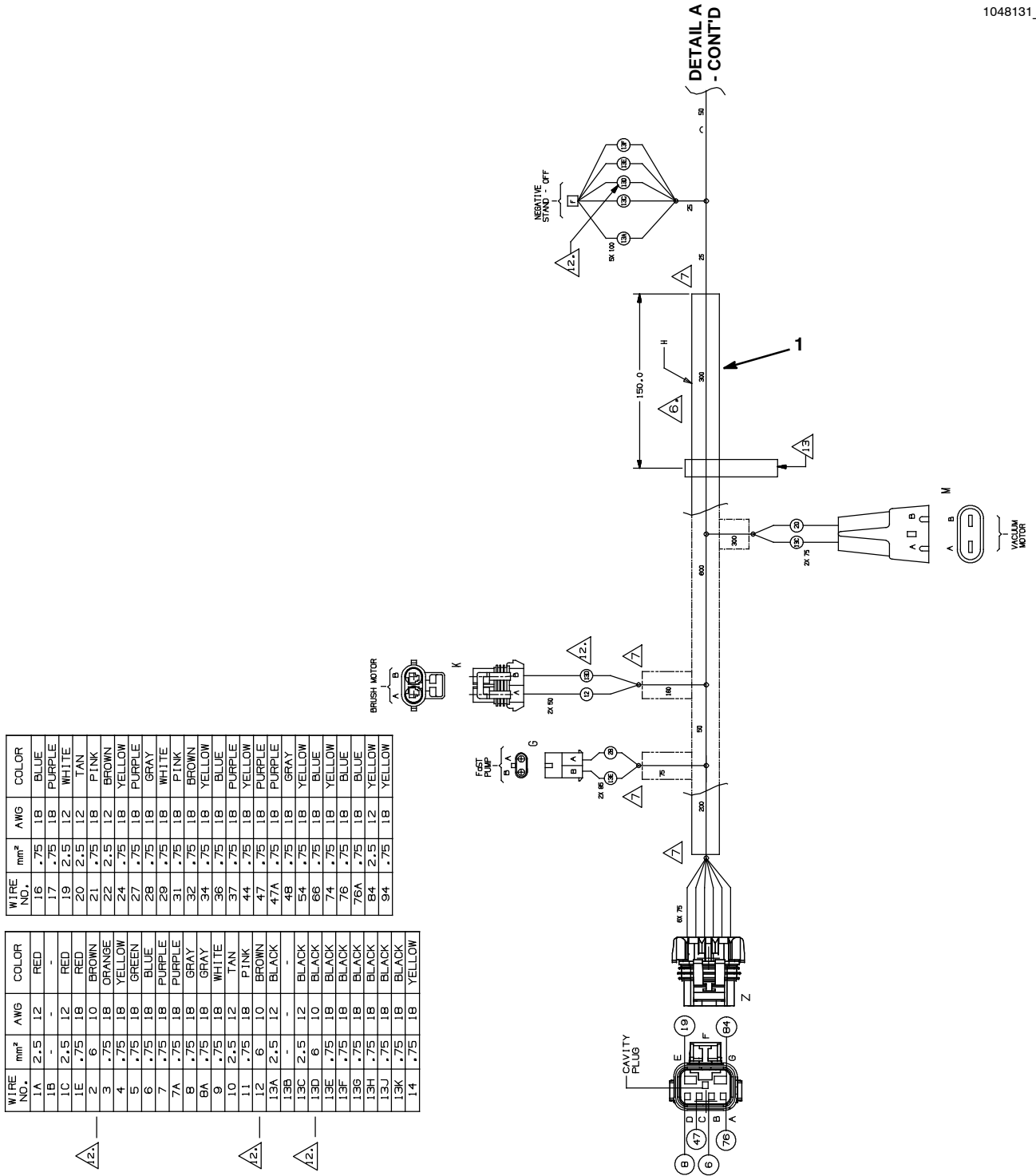
WIRE HARNESS, MAIN, DRIVE MODEL

1048131_03



WIRE HARNESS, MAIN, DRIVE MODEL - CONT'D

1048131_03



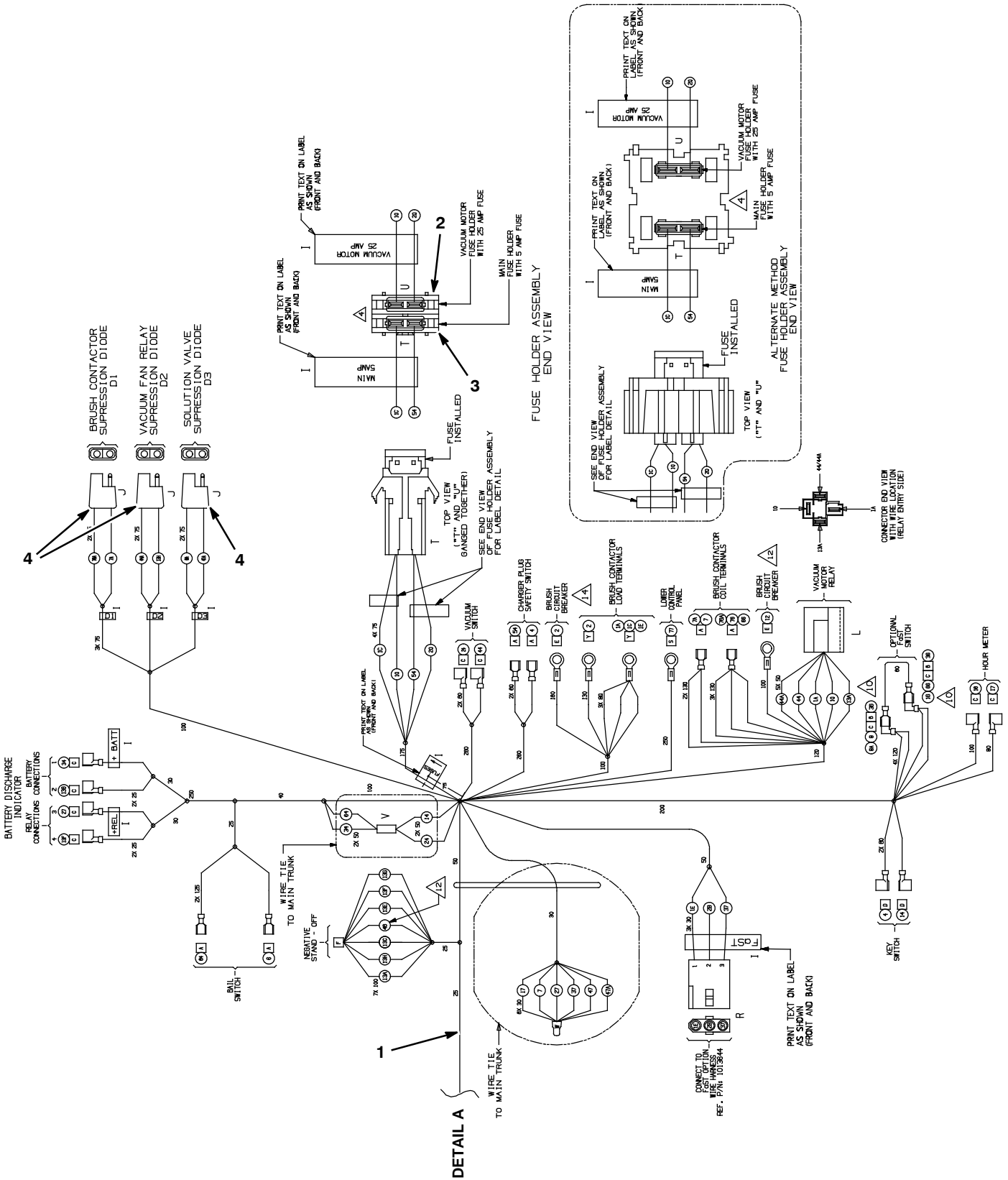
Ref.	Part No.	Serial Number	Description	Qty.
▽	1	9006228	(10477736-) Harness Kit, Main, Drive [T3 Na]	1
▲	2	1016040	(10477736-) Fuse, Blade, 025a, 32vdc	1
▲	3	762516	(10477736-) Fuse, Blade, 030a, 32vdc	1
▲	4	222290	(10477736-) Diode, Ele, Plug	2

▽ ASSEMBLY

▲ INCLUDED IN ASSEMBLY

WIRE HARNESS, MAIN, BRUSH ASSIST MODEL (AUSTRALIAN MODEL)

1048341_02



WIRE HARNESS, MAIN, BRUSH ASSIST MODEL (AUSTRALIAN MODEL) - CONT'D

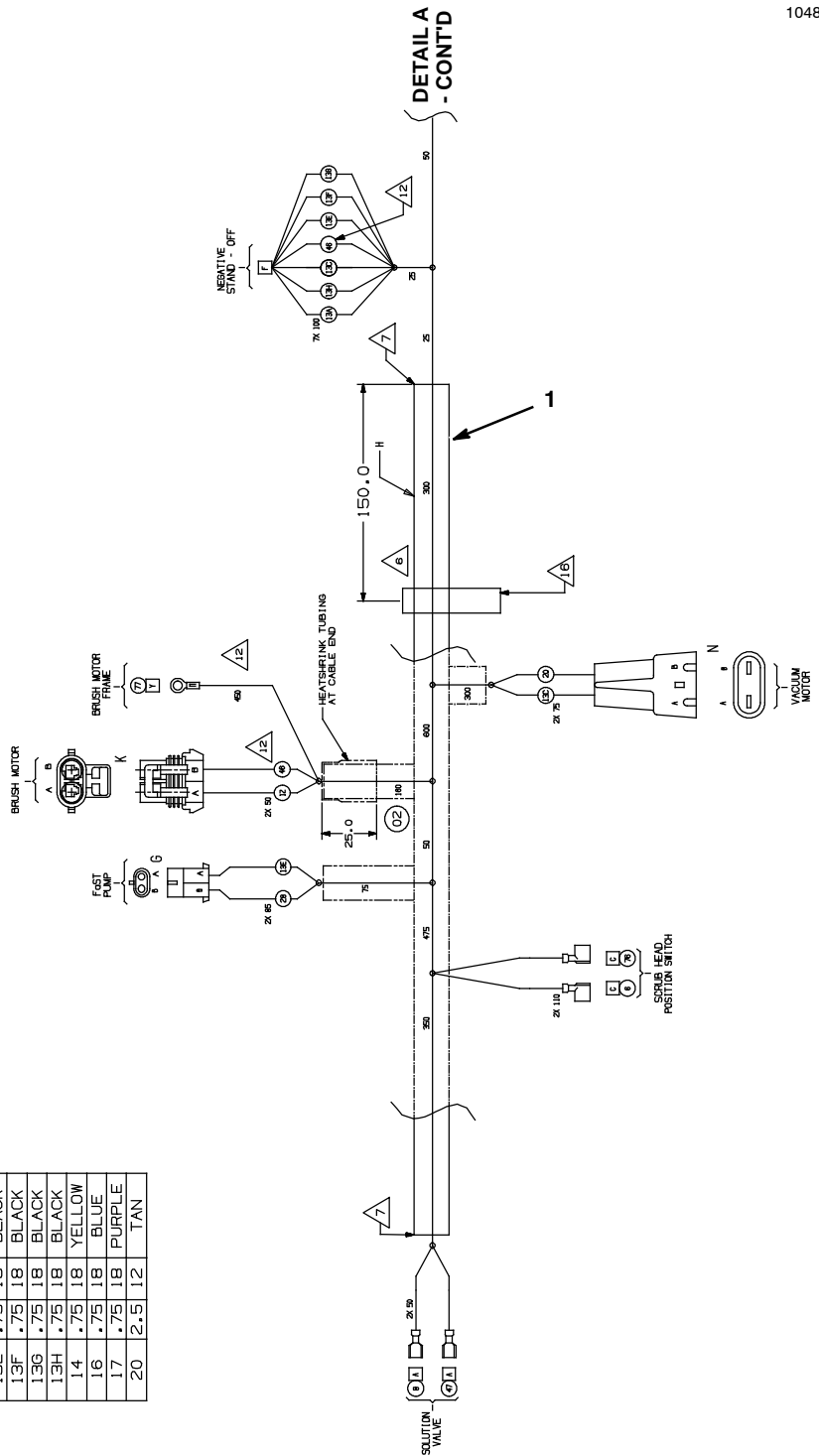
1048341_02

WIRE LIST

WIRE NO.	mm ²	AWG	COLOR
24	.75	18	TAN
27	.75	18	PURPLE
28	.75	18	GRAY
34	.75	18	YELLOW
36	.75	18	BLUE
37	.75	18	PURPLE
44	.75	18	YELLOW
44A	.75	18	YELLOW
46	1.0	16	BLUE
47	.75	18	PURPLE
57	.75	18	PURPLE
57A	.75	18	PURPLE
64	.75	18	YELLOW
66	.75	18	BLUE
76	.75	18	BLUE
76A	.75	18	BLUE
77	2.5	12	BLACK

WIRE LIST

WIRE NO.	mm ²	AWG	COLOR
1A	2.5	12	RED
1B	-	-	-
1C	.75	18	RED
1E	.75	18	RED
2	6	10	BROWN
4	.75	18	YELLOW
6	.75	18	BLUE
7	.75	18	PURPLE
7A	.75	18	PURPLE
B	.75	18	GRAY
8A	.75	18	GRAY
10	2.5	12	TAN
12	6	10	BROWN
13A	.75	18	BLACK
13B	-	-	-
13C	2.5	12	BLACK
13D	-	-	-
13E	.75	18	BLACK
13F	.75	18	BLACK
13G	.75	18	BLACK
13H	.75	18	BLACK
14	.75	18	YELLOW
16	.75	18	BLUE
17	.75	18	PURPLE
20	2.5	12	TAN



DETAIL A
- CONT'D

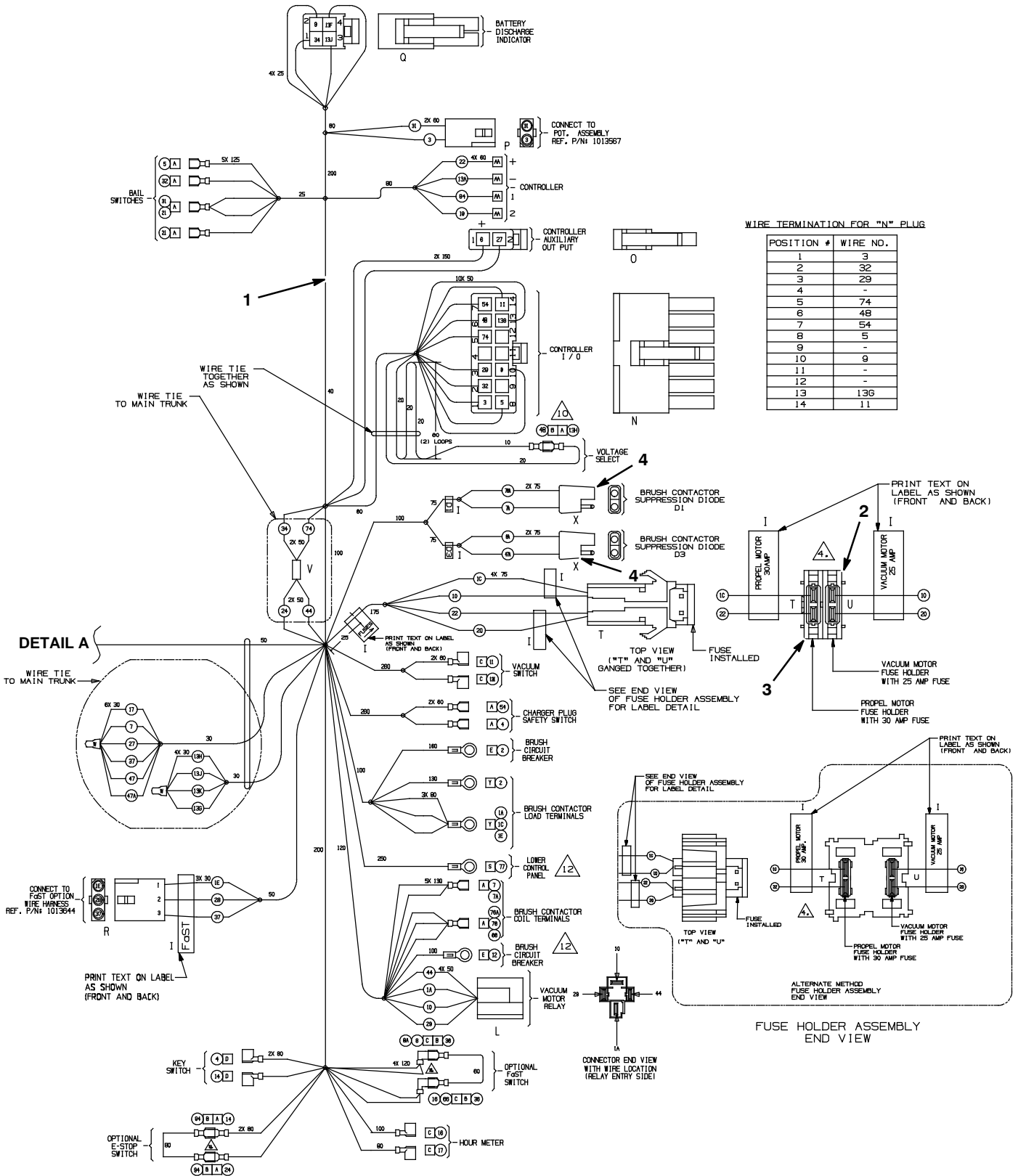
Ref.	Part No.	Serial Number	Description	Qty.
▽	1	9006227	(10477736-) Harness Kit, Main, Push [T3 Mid Emc]	1
▲	2	1016040	(10477736-) Fuse, Blade, 025a, 32vdc	1
▲	3	1016029	(10477736-) Fuse, Blade, 005a, 32vdc	1
▲	4	222290	(10477736-) Diode, Ele, Plug	3

▽ ASSEMBLY

▲ INCLUDED IN ASSEMBLY

WIRE HARNESS, MAIN, DRIVE MODEL (AUSTRALIAN MODEL)

1048340_02



WIRE HARNESS, MAIN, DRIVE MODEL (AUSTRALIAN MODEL) - CONT'D

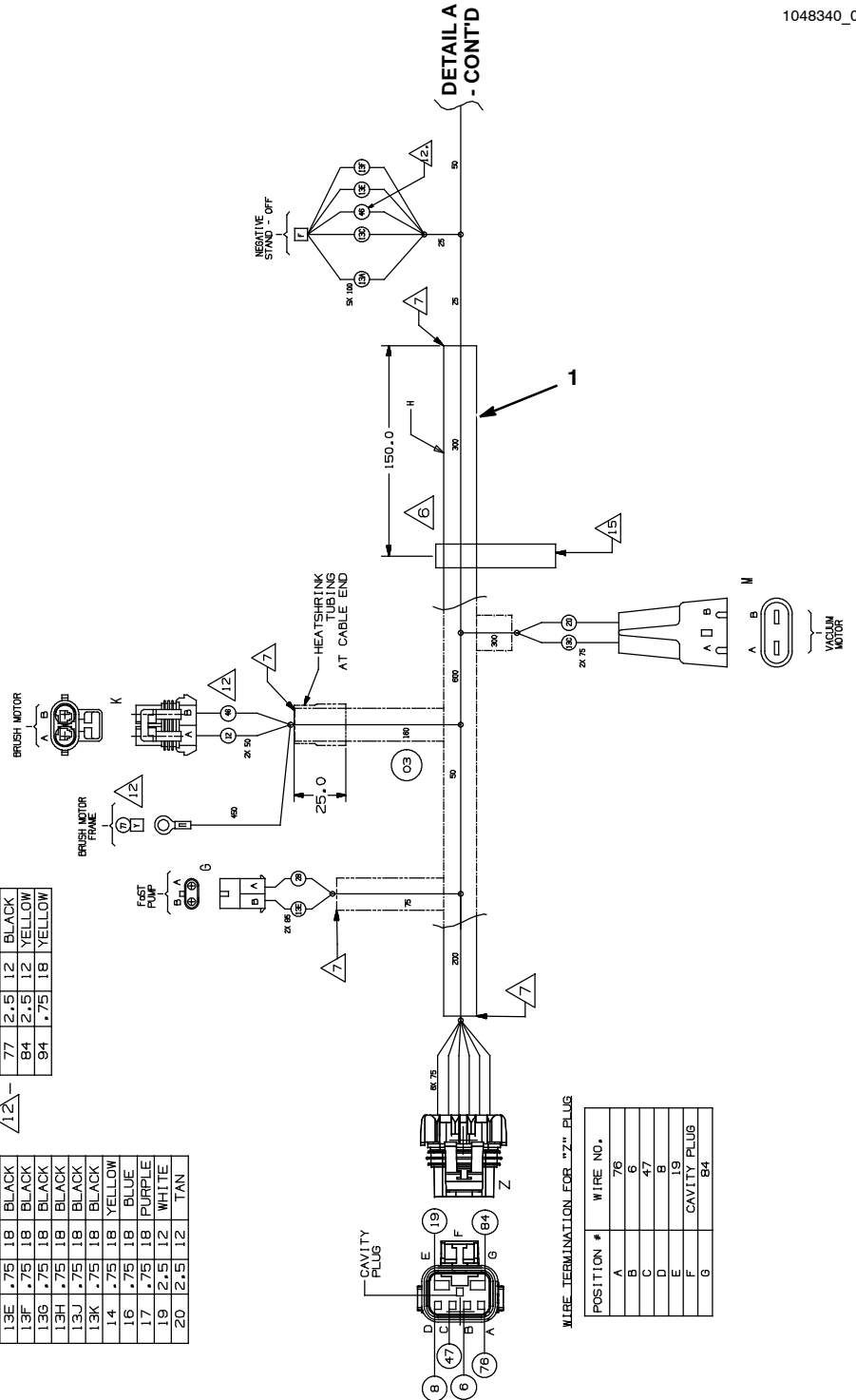
1048340_02

WIRE LIST

WIRE NO.	mm ²	AWG	COLOR
21	.75	18	PINK
22	2.5	12	BROWN
24	.75	18	YELLOW
27	.75	18	PURPLE
28	.75	18	GRAY
29	.75	18	WHITE
31	.75	18	PINK
32	.75	18	BROWN
34	.75	18	YELLOW
36	.75	18	BLUE
37	.75	18	PURPLE
44	.75	18	YELLOW
46	6	10	BLUE
47	.75	18	PURPLE
47A	.75	18	PURPLE
48	.75	18	GRAY
54	.75	18	YELLOW
66	.75	18	BLUE
74	.75	18	YELLOW
76	.75	18	BLUE
76A	.75	18	BLUE
77	2.5	12	BLACK
84	2.5	12	YELLOW
94	.75	18	YELLOW

WIRE LIST

WIRE NO.	mm ²	AWG	COLOR
1A	2.5	12	RED
1B	-	-	-
1C	2.5	12	RED
1E	.75	18	RED
2	6	10	BROWN
3	.75	18	ORANGE
4	.75	18	YELLOW
5	.75	18	GREEN
6	.75	18	BLUE
7	.75	18	PURPLE
7A	.75	18	PURPLE
8	.75	18	GRAY
8A	.75	18	GRAY
9	.75	18	WHITE
10	2.5	12	TAN
11	.75	18	PINK
12	6	10	BROWN
13A	2.5	12	BLACK
13B	-	-	-
13C	2.5	12	BLACK
13E	.75	18	BLACK
13F	.75	18	BLACK
13G	.75	18	BLACK
13H	.75	18	BLACK
13J	.75	18	BLACK
13K	.75	18	BLACK
14	.75	18	YELLOW
16	.75	18	PURPLE
17	.75	18	PURPLE
19	2.5	12	WHITE
20	2.5	12	TAN



WIRE TERMINATION FOR "72" PLUG

POSITION #	WIRE NO.
A	76
B	6
C	47
D	B
E	19
F	CAVITY PLUG
G	B4

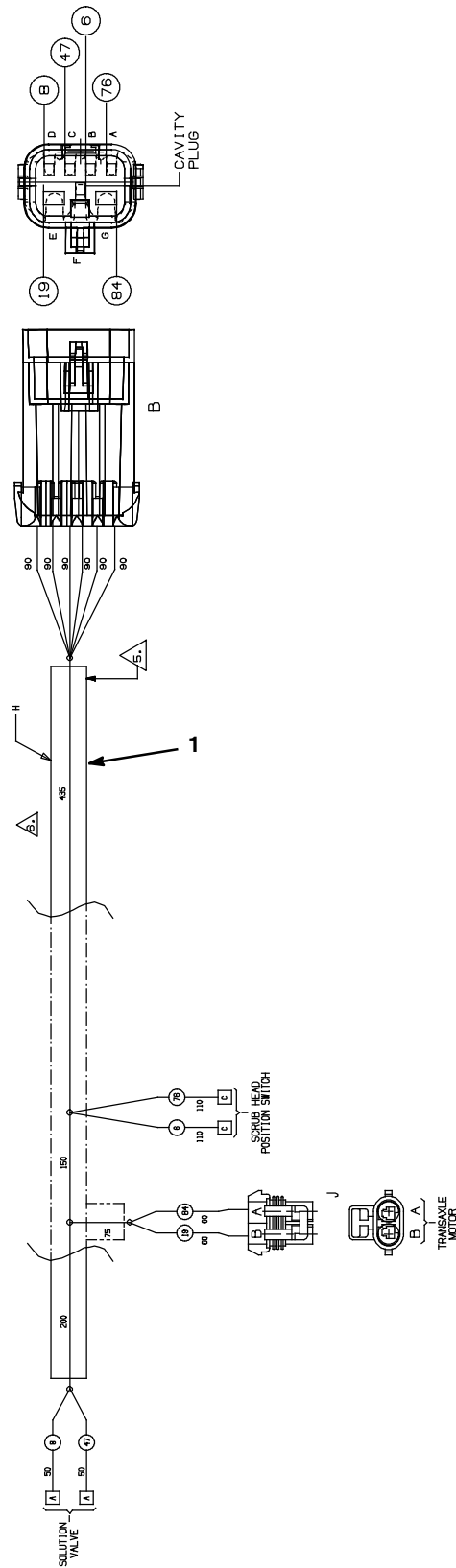
Ref.	Part No.	Serial Number	Description	Qty.
▽	1	9006226	(10477736-) Harness Kit, Main, Drive [T3 Mid Emc]	1
▲	2	1016040	(10477736-) Fuse, Blade, 025a, 32vdc	1
▲	3	762516	(10477736-) Fuse, Blade, 030a, 32vdc	1
▲	4	222290	(10477736-) Diode, Ele, Plug	2

▽ ASSEMBLY

▲ INCLUDED IN ASSEMBLY

WIRE HARNESS, CHASSIS, DRIVE MODEL

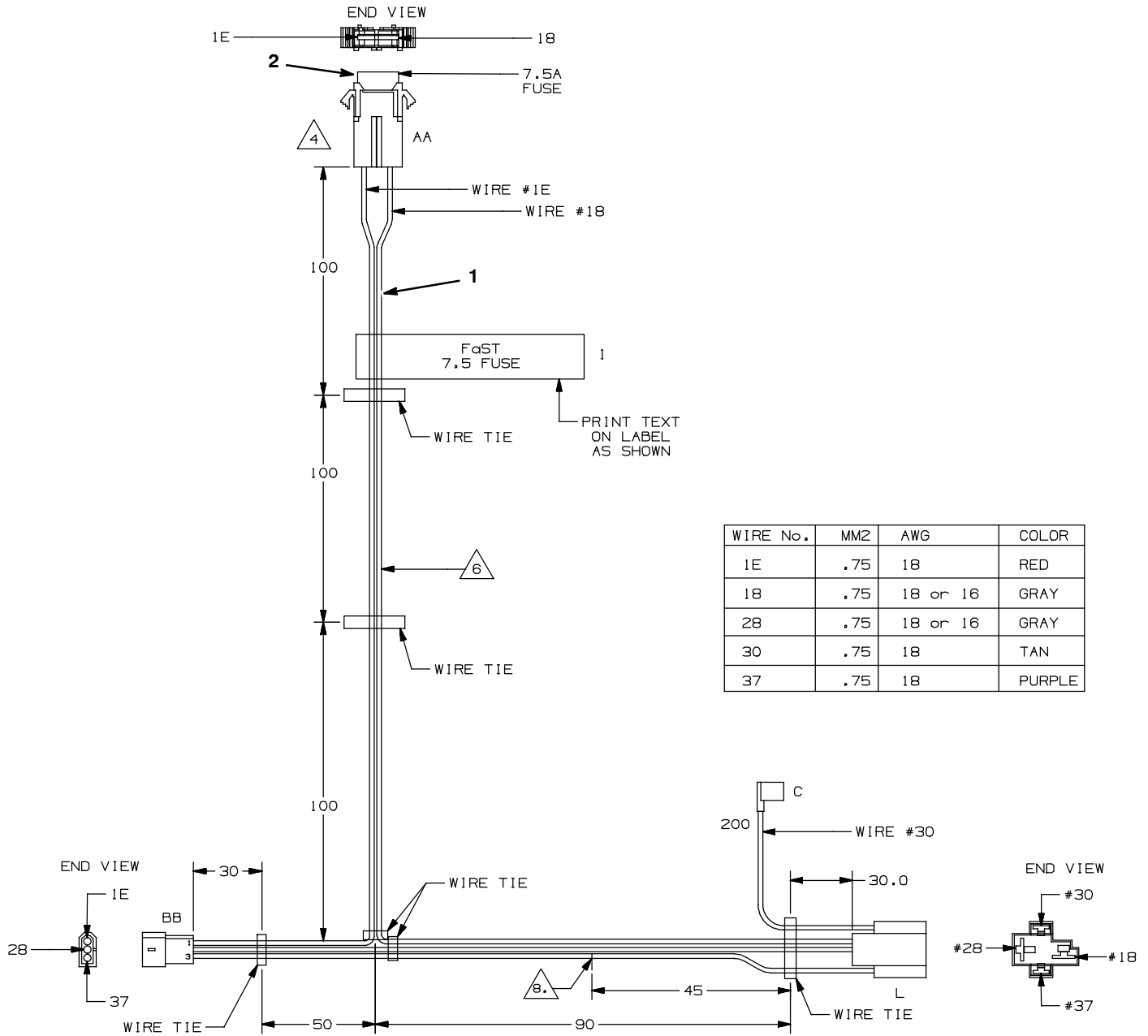
1019397_05



Ref.	Part No.	Serial Number	Description	Qty.
1	1019397	(10477736-) Harness, Frame, Drive [T3 - Na]	1

WIRE HARNESS, FaST MODEL

1013644_01



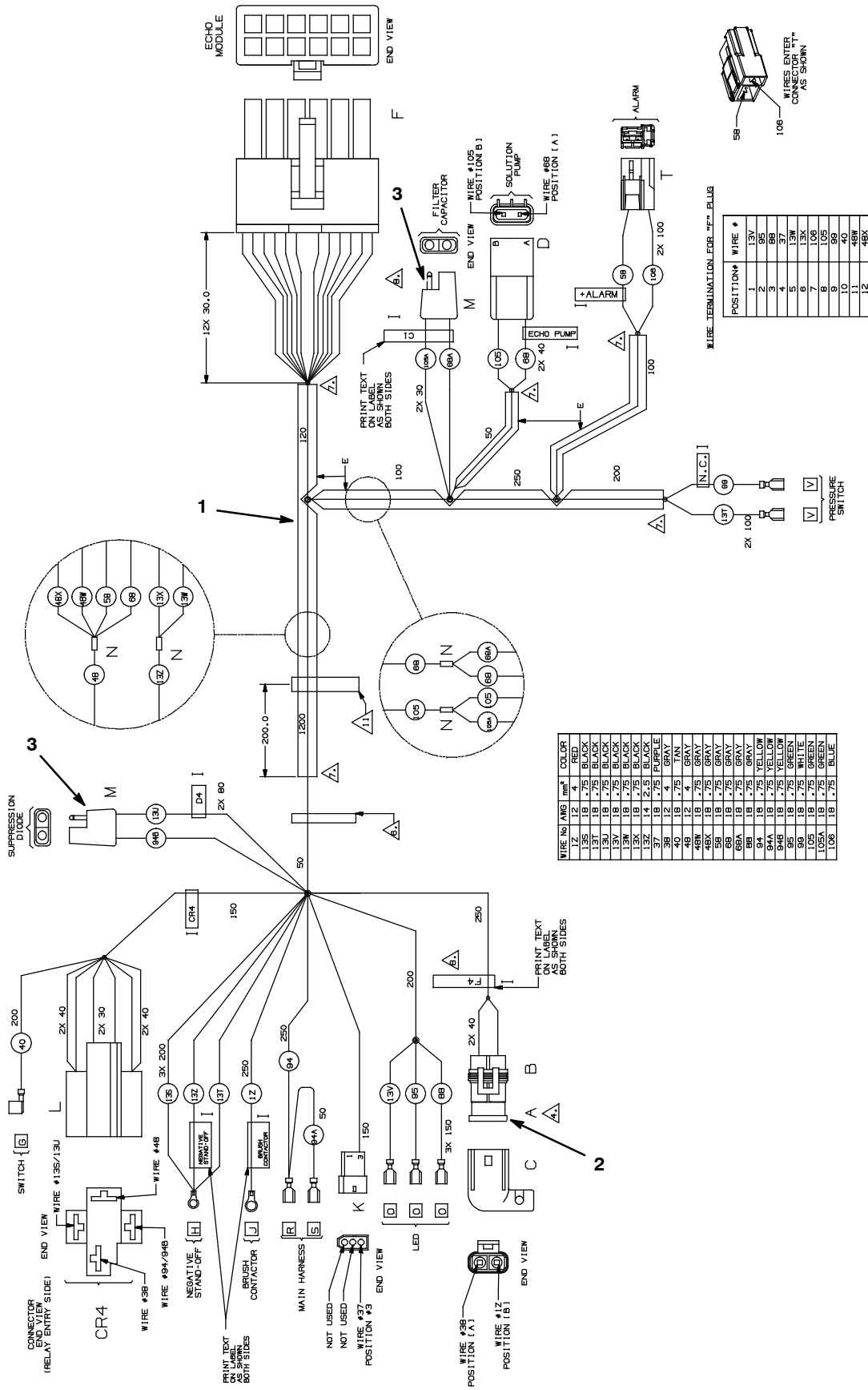
Ref.	Part No.	Serial Number	Description	Qty.
▽ 1	1013644	(10477736-) Harness [Fast Option]	1
▲ 2	1016039	(10477736-) Fuse, Blade, 007.5a, 32vdc	1

▽ ASSEMBLY

▲ INCLUDED IN ASSEMBLY

WIRE HARNESS, *ec-H2O* MODEL

1055406_00



WIRE HARNESS, *ec-H2O* MODEL

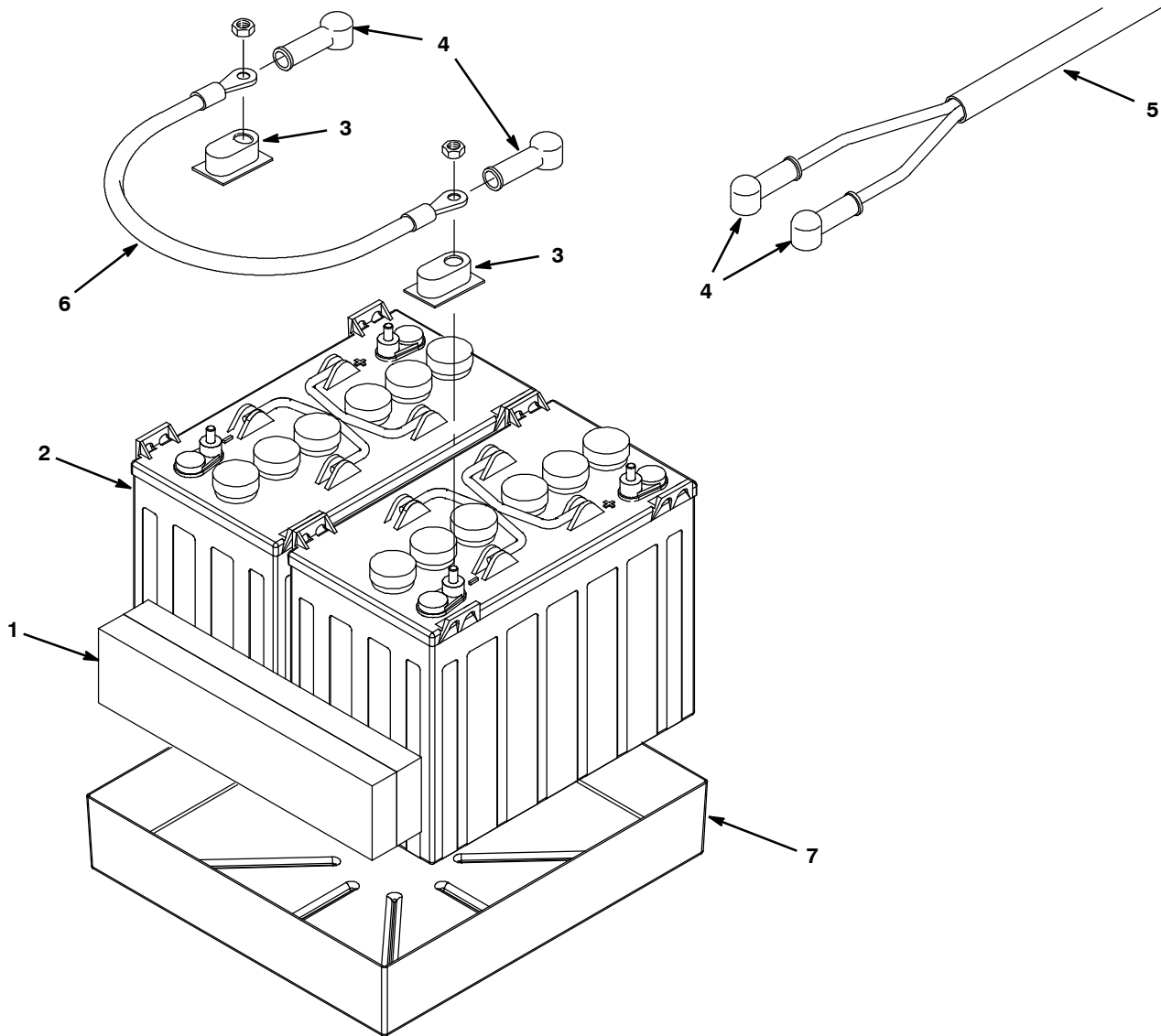
	Ref.	Part No.	Serial Number	Description	Qty.
▽	1	1055406	(10477736-) Harness Assy, Wire [T3 Ec- H2o]	1
▲	2	1047470	(10477736-) Fuse, Blade, 010a, 32vdc, Red	1
▲	3	222290	(10477736-) Diode, Ele, Plug	2

▽ ASSEMBLY

▲ INCLUDED IN ASSEMBLY

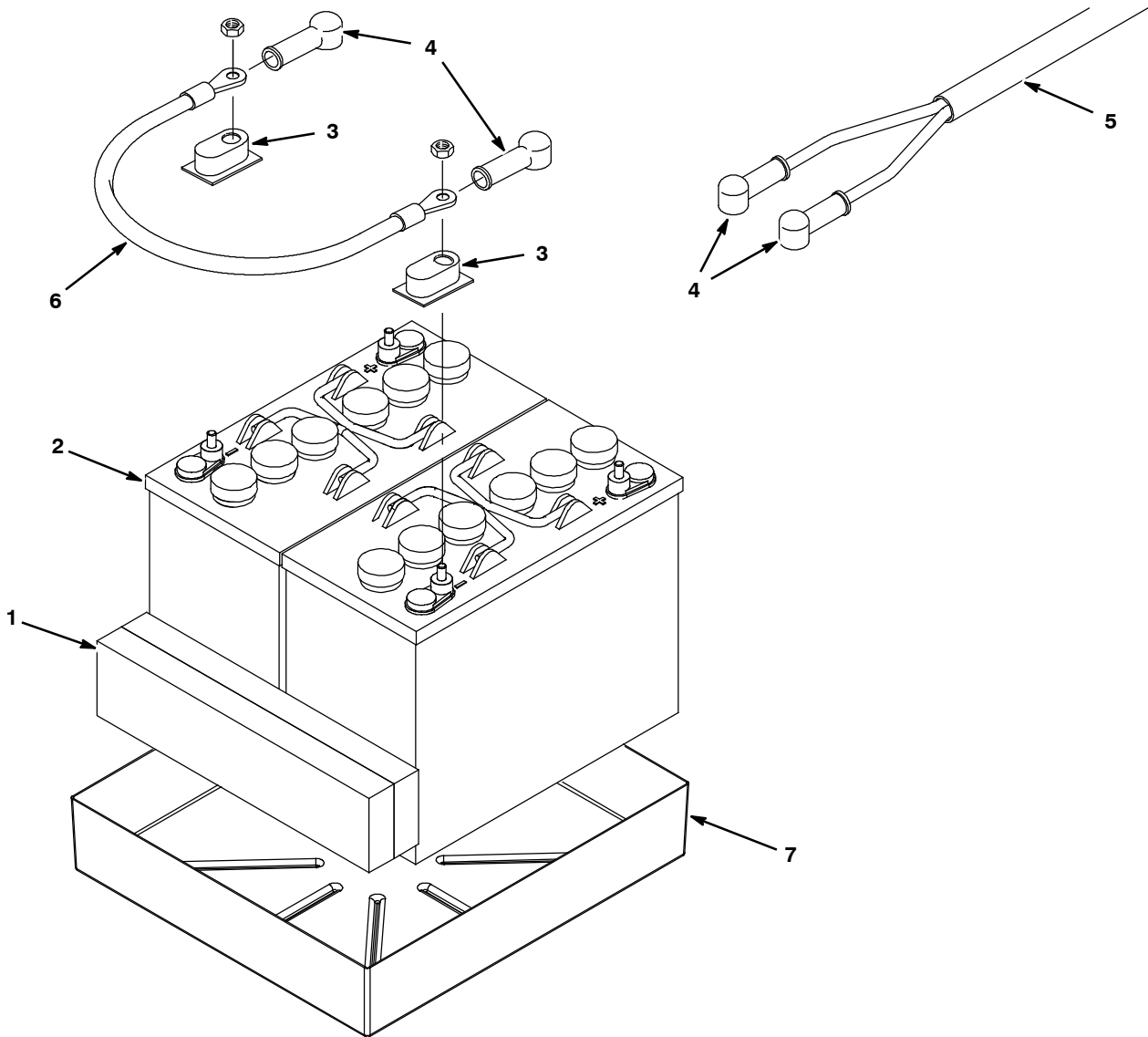
OPTIONS

BATTERY GROUP, MAINTENANCE FREE, 12V/140AH



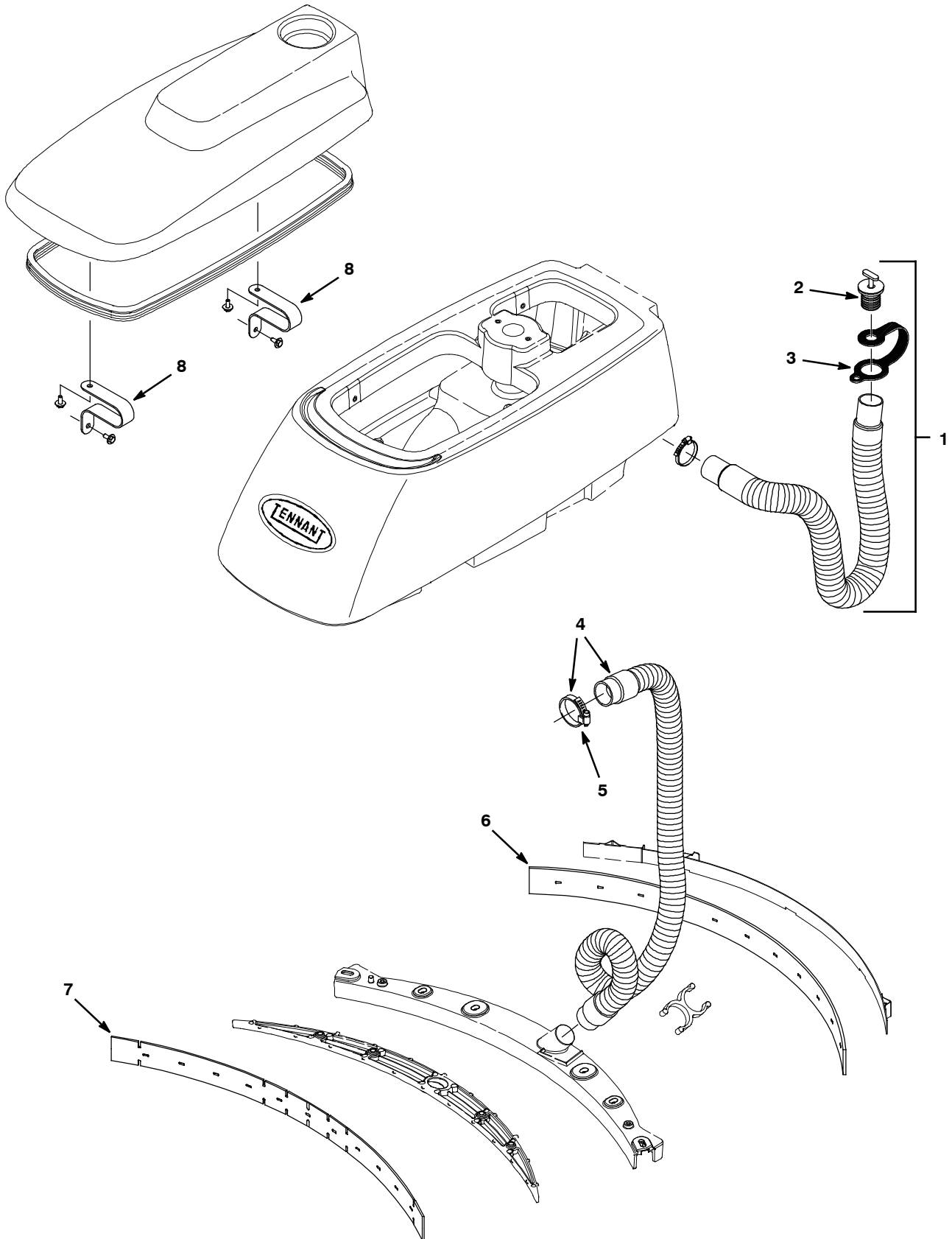
Ref.	Part No.	Serial Number	Description	Qty.
1	630375	(10477736-) Spacer, Battery, 1.25 X 3.3 X 13.7, Foam	2
2	1053408	(10477736-) Battery, 12vdc 0140ah Agm	2
3	45962	(10477736-) Cap, Plstc, .04 1.38 X 2.30 0.5l (Tall Clear)	4
3	1041030	(10477736-) Cap, Battery (Short Black)	4
4	611221	(10477736-) Boot, Terminal, Battery, 25.4mm, Blk	4
5	1015941	(10477736-) Harness, Battery [T3]	1
6	130364	(10477736-) Cable, 06ga 15.0l Blk .31ring /.38ring	1
7	1059486	(10477736-) Tray, Battery [Ss3 / T3]	1
N/S	9006166	(10477736-) Charger, 24vdc, 11a Var Vac [Gel/Agm]	1

BATTERY GROUP, GEL, 12V/100AH



Ref.	Part No.	Serial Number	Description	Qty.
1	630375	(10477736-) Spacer, Battery, 1.25 X 3.3 X 13.7, Foam	2
2	1071125	(10477736-) Battery, Gel, 12vdc 0102ah [Trjn 31- Gel]	2
3	45962	(10477736-) Cap, Plstc, .04 1.38 X 2.30 0.5l (Tall Clear)	4
3	1041030	(10477736-) Cap, Battery (Short Black)	4
4	611221	(10477736-) Boot, Terminal, Battery, 25.4mm, Blk	4
5	1015941	(10477736-) Harness, Battery [T3]	1
6	130364	(10477736-) Cable, 06ga 15.0l Blk .31ring /.38ring	1
7	1059486	(10477736-) Tray, Battery [Ss3 / T3]	1

OIL RESISTANCE GROUP
(JAPAN MARKET)



**OIL RESISTANCE GROUP
(JAPAN MARKET)**

	Ref.	Part No.	Serial Number	Description	Qty.
▽		989859	(10477736-) Kit, Oil Resistance, T3	1
▲▽	1	989857	(10477736-) Hose Assy, Urethane	1
▲▲	2	398850	(10477736-) Plug, Expandable, Rnd 1.500h 1.8l	1
▲▲	3	578441	(10477736-) Strap, Hose, Drain [170/443/E17]	1
▲▽	4	989858	(10477736-) Assy, Vacuum Hose, Urethane	1
▲▲	5	140308	(10477736-) Clamp, Hose, Wormdrive, 1.31- 2.25d, .50w	1
▲	6	1014094	(10477736-) Blade, Sqge, Rear, 32.68l Pyu [500mm]	1
▲	7	1014092	(10477736-) Blade, Sqge, Front, 784mmI Oil- Rstn	1
▲	8	989856	(10477736-) Strap, Tank, Urethane	2

▽ ASSEMBLY

▲ INCLUDED IN ASSEMBLY