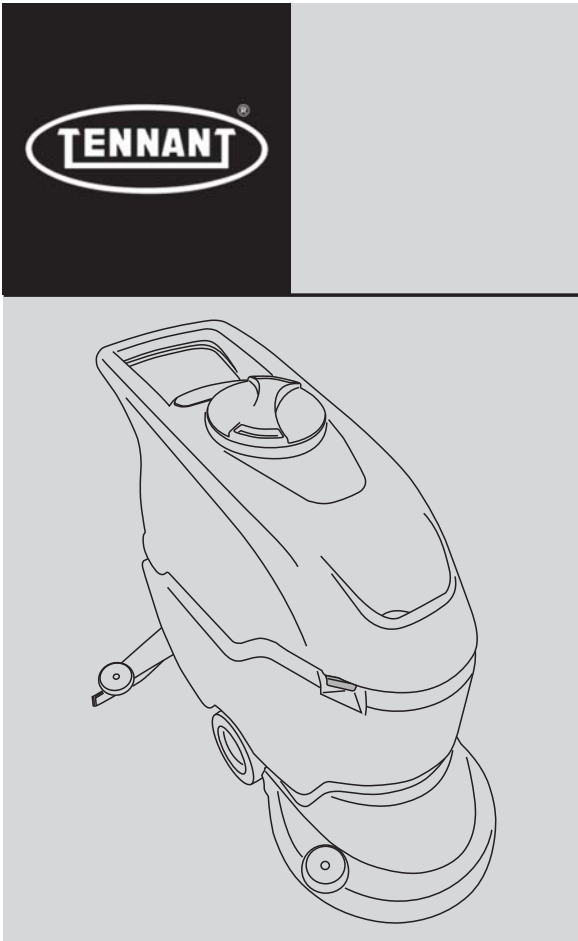




T290 T390

BATTERY FLOOR SCRUBBER

OPERATOR'S MANUAL (EN)
MANUAL DE INSTRUCCIONES (ES)
MANUEL D'INSTRUCTIONS (FR)



Model Part No.:

- 1255467 - SCRUBBER [T290 50cm, PAD ASSIST, W/O BATT, CANADA]
- 1255468 - SCRUBBER [T290 50cm, PROPEL, W/O BATT, CANADA]
- 1255469 - SCRUBBER [T390 70cm, W/O BATT, CANADA]
- 9022000 - SCRUBBER [T290 50CM, PAD ASSIST, 130AH WET, NA]
- 9022001 - SCRUBBER [T290 50CM, PAD ASSIST, 150AH WET, NA]
- 9022002 - SCRUBBER [T290 50CM, PAD ASSIST, 140AH AGM, NA]
- 9022003 - SCRUBBER [T290 50CM, PROPEL, 130AH WET, NA]
- 9022004 - SCRUBBER [T290 50CM, PROPEL, 150AH WET, NA]
- 9022005 - SCRUBBER [T290 50CM, PROPEL, 140AH AGM, NA]
- 9022006 - SCRUBBER [T390 70CM, 150AH WET, NA]
- 9022007 - SCRUBBER [T390 70CM, 140AH AGM, NA]



North America



To view, print or download
the parts manual, visit:
www.tennantco.com/manuals

www.tennantco.com

PLDC04411
Rev. 07 (10-2021)



717-359-5281



www.UltraCareSystems.com

TECHNICAL SPECIFICATIONS
CARACTERISTIQUES TECHNIQUES
CARACTERÍSTICAS TÉCNICAS

<u>T290</u>		
Cleaned track width Largeur de nettoyage Ancho de trabajo	mm	510
	inch	20
Squeegee width Largeur suceur Ancho secador	mm	816
	inch	32
Hourly performance Rendement horaire Rendimiento horario	m ² /h	B: 1750 BT: 1820
	ft ² /h	B: 18837 BT: 19600
Number of brushes Nombre de brosses Número de cepillos	n°	1
Cleaning tool diameter Diamètre de l'outil de nettoyage Diámetro de la herramienta de limpieza	mm	510
	inch	20
Max brush pressure Pression brosses max Presión máx. del cepillo	gr/cm ² kPa	11,54 0,98
	Kg lbs	18,40 40
Brush rotation speed Vitesse de rotation de la brosse Velocidad de rotación del cepillo	g/1 ¹ RPM	155
Brush motor power Puissance moteur de la brosse Potencia motor del cepillo	W	550
	HP	0,73
Drive control Traction Tracción	/	B: Mechanical BT: Electronic
Drive motor rated power Puissance nominale du moteur de traction Potencia nominal motor de tracción	W	B: / BT: 120
	HP	B: / BT: 0,16
Maximum speed Vitesse maxi Velocidad máxima	Km/h	B: 3 BT: 3,5
	mph	B: 1,8 BT: 2,17
Suction motor power Puissance du moteur d'aspiration Potencia motor de aspiración	W	480
	HP	0,65
Solution tank Réservoir de solution Depósito de detergente	L	40
	gal	10,5
Dirty water tank Réservoir de récupération Depósito de agua sucia	l	45
	gal	11,8
Wheel diameter Diamètre des roues Diámetro de ruedas	mm	200
	inch	7,87

Gross weight Poids brut Peso Bruto	Kg	202
	lbs	445
Transported weight Poids transporté Peso Transportado	Kg	B: 139 BT: 145
	lbs	B: 306.44 BT: 319.67
Number of batteries Nombre de batteries Número de baterías	n°	2
Battery voltage in series Tension des batteries en série Tensión de baterías en serie	V	24
Single battery capacity Capacité de chaque batterie Capacidad de cada batería	Ah(20)	130 - 140 -150
Single battery weight Poids de chaque batterie Peso de cada batería	Kg	36
	lbs	79,3
Power cable length Longueur du câble d'alimentation Largo cable de alimentación	mm	/
Power supply voltage Tension d'alimentation Tensión de alimentación	V	/
Power supply frequency Fréquence d'alimentation Frecuencia de alimentación	Hz	/
Battery compartment dimensions (length, width, height) Dimensions du coffet des batteries (longueur, largeur, hauteur) Dimensiones del compartimiento de baterías (largo, ancho, alto)	mm	345x 170x 300
	inch	13,5x 6,7x 11,8
Machine dimensions (length, width, height) Dimensions de la machine (longueur, largeur, hauteur) Dimensiones de la máquina (largo, ancho, alto)	mm X/Y/Z	1230x 520x 960
	inch X/Y/Z	48,42x 20,47x 37,8
Dimensions of packaging (length, width, height) Dimensions de l'emballage (longueur, largeur, hauteur) Dimensiones del embalaje (largo, ancho, alto)	mm	1270x 680x 1227
	inch	50x 26,7x 48,3
Sound pressure Pression sonore Presión Acústica	LpA [dB]	74
(measurement uncertainty) k (incertitude de mesure) k (incertidumbre de las medidas) k	K [dB]	3,2
Hand-arm vibration Vibrations mains Vibración transmitida a la mano	HAV [m/sec ²]	0,9
(measurement uncertainty) k (incertitude de mesure) k (incertidumbre de medidas) k	[m/sec ²]	0,5

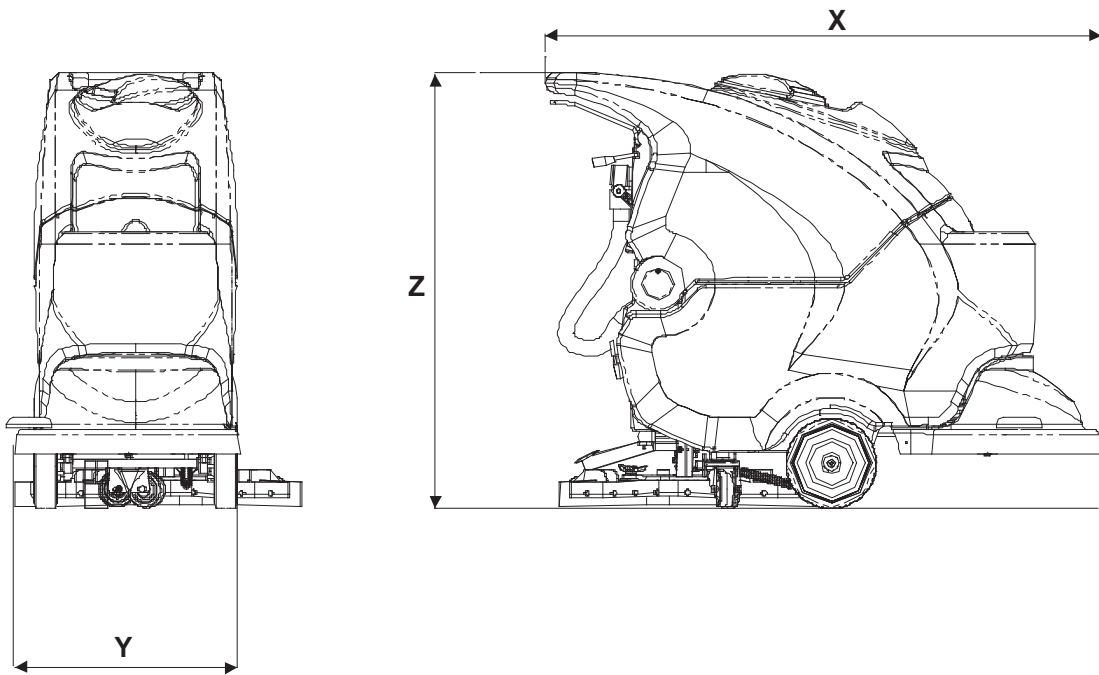
Tab. A

Data may be changed without notice.

Les caractéristiques techniques sont susceptibles d'être modifiées sans préavis.

Los datos pueden variar sin aviso previo

MACHINE DIMENSIONS
DIMENSIONS DE LA MACHINE
DIMENSIONES DE LA MÁQUINA



X-Y-Z: See table "TECHNICAL SPECIFICATIONS"
X-Y-Z: Voir tab. "DONNEES TECHNIQUES"
X-Y-Z: Vease tab. "CARACTERÍSTICAS TÉCNICAS"

TECHNICAL SPECIFICATIONS
CARACTERISTIQUES TECHNIQUES
CARACTERÍSTICAS TÉCNICAS

<u>T390</u>		
Cleaned track width Largeur de nettoyage Ancho de trabajo	mm	700
	inch	28
Squeegee width Largeur suceur Ancho secador	mm	942
	inch	37
Hourly performance Rendement horaire Rendimiento horario	m ² /h	2848
	ft ² /h	30655
Number of brushes Nombre de brosses Número de cepillos	n°	2
Cleaning tool diameter Diamètre de l'outil de nettoyage Diámetro de la herramienta de limpieza	mm	700
	inch	28
Max brush pressure Pression brosses max Presión máx. del cepillo	gr/ cm ²	23,58
	kPa	2,1
Brush rotation speed Vitesse de rotation de la brosse Velocidad de rotación del cepillo	g/1 ¹ RPM	215
Brush motor power Puissance moteur de la brosse Potencia motor del cepillo	W	300
	HP	0,4
Drive control Traction Tracción	/	BT: Electronic
Drive motor rated power Puissance nominale du moteur de traction Potencia nominal motor de tracción	W	B: / BT: 180
	HP	B: / BT: 0,24
Maximum speed Vitesse maxi Velocidad máxima	Km/h	4,2
	mph	2,6
Suction motor power Puissance du moteur d'aspiration Potencia motor de aspiración	W	480
	HP	0,64
Solution tank Réservoir de solution Depósito de detergente	l	65
	gal	17
Dirty water tank Réservoir de récupération Depósito de agua sucia	l	70
	gal	18,5
Wheel diameter Diamètre des roues Diámetro de ruedas	mm	200
	inch	7,8
Gross weight Poids brut Peso Bruto	Kg	250
	lbs	551

Transported weight Poids transporté Peso Transportado	Kg	181
	lbs	399.04
Number of batteries Nombre de batteries Número de baterías	n°	2
Battery voltage in series Tension des batteries en série Tensión de baterías en serie	V	24
Single battery capacity Capacité de chaque batterie Capacidad de cada batería	Ah (5h)	110
	Ah (20h)	140
Single battery weight Poids de chaque batterie Peso de cada batería	Kg	36
	lbs	79,3
Power cable length Longueur du câble d'alimentation Largo cable de alimentación	mm	/
Power supply voltage Tension d'alimentation Tensión de alimentación	V	/
Power supply frequency Fréquence d'alimentation Frecuencia de alimentación	Hz	/
Battery compartment dimensions (length, width, height) Dimensions du coffet des batteries (longueur, largeur, hauteur) Dimensiones del compartimiento de baterías (largo, ancho, alto)	mm	345x 170x 300
	inch	13,5x 6,6 11,8
Machine dimensions (length, width, height) Dimensions de la machine (longueur, largeur, hauteur) Dimensiones de la máquina (largo, ancho, alto)	mm X/Y/Z	1220x 748x 960
	inch X/Y/Z	48x 29x 37,7
Dimensions of packaging (length, width, height) Dimensions de l'emballage (longueur, largeur, hauteur) Dimensiones del embalaje (largo, ancho, alto)	mm	1245x 820x 1395
	inch	49x 32,2x 54,9
Sound pressure Pression sonore Presión Acústica	LpA [dB]	73
(measurement uncertainty) k (incertitude de mesure) k (incertidumbre de las medidas) k	K [dB]	3,2
Hand-arm vibration Vibrations mains Vibración transmitida a la mano	HAV [m/ sec ²]	1
(measurement uncertainty) k (incertitude de mesure) k (incertidumbre de medidas) k	[m/ sec ²]	0,5

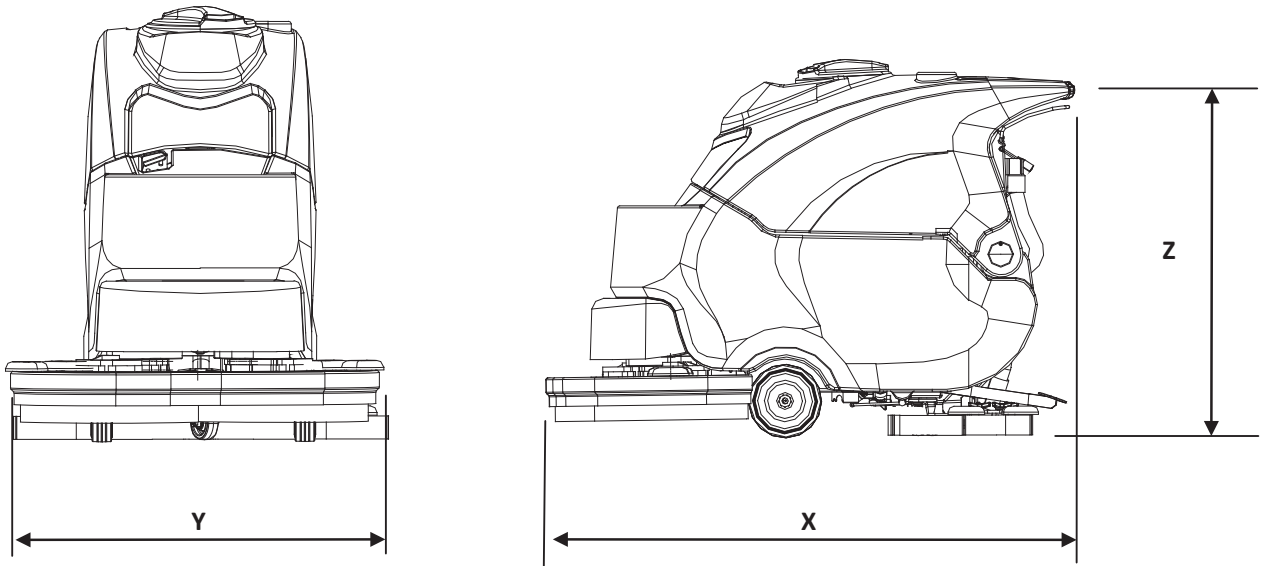
Tab. A

Data may be changed without notice.

Les caractéristiques techniques sont susceptibles d'être modifiées sans préavis.

Los datos pueden variar sin aviso previo

MACHINE DIMENSIONS
DIMENSIONS DE LA MACHINE
DIMENSIONES DE LA MÁQUINA



X-Y-Z: See table "TECHNICAL SPECIFICATIONS"
X-Y-Z: Voir tab. "DONNEES TECHNIQUES"
X-Y-Z: Vease tab. "CARACTERÍSTICAS TÉCNICAS"

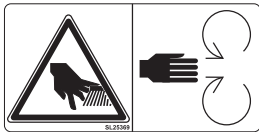
SAFETY SIGNS
 PICTOGRAMMES DE SÉCURITÉ
 SEÑALES DE SEGURIDAD



IMPORTANT, CUTTING HAZARD
 ATTENTION, RISQUE DE COUPURE
 ATENCIÓN, PELIGRO DE AMPUTACIÓN



IMPORTANT, CRUSHING HAZARD
 ATTENTION, RISQUE D'ÉCRASEMENT DES MEMBRES
 ATENCIÓN, APLASTAMIENTO DE LOS MIEMBROS



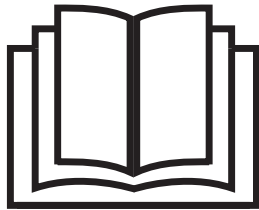
IMPORTANT, ABRASION HAZARD
 ATTENTION, RISQUE D'ABRASION
 ATENCIÓN, PELIGRO DE ABRASIÓN



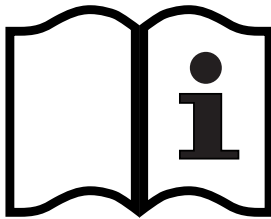
DISPOSAL SYMBOL, CAREFULLY READ THE SECTION SHOWING THIS SYMBOL.
 PICTOGRAMME DE COLLECTE SÉLECTIVE, LIRE ATTENTIVEMENT LA SECTION MARQUÉE DE CE PICTOGRAMME.
 SÍMBOLO DE CONTENEDOR TACHADO, LEER DETENIDAMENTE LA SECCIÓN CON ESTE SÍMBOLO.



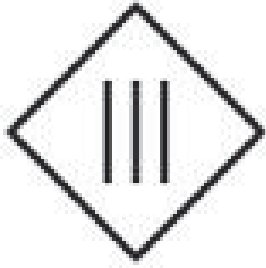
MAXIMUM SLOPE
 PENTE FRANCHISSABLE
 PENDIENTE SUPERABLE



READ THE OPERATOR'S MANUAL
 LIRE LE MANUEL DE L'OPÉRATEUR
 LEER EL MANUAL DEL OPERADOR



OPERATOR'S MANUAL, OPERATING INSTRUCTIONS
 MANUEL DE L'OPÉRATEUR, INSTRUCTIONS POUR LE FONCTIONNEMENT
 MANUAL DEL OPERADOR, INSTRUCCIONES DE FUNCIONAMIENTO



INSULATION CLASS, THIS CLASSIFICATION ONLY APPLIES TO BATTERY-POWERED MACHINES.
CLASSE D'ISOLATION, CETTE CLASSIFICATION N'EST VALABLE QUE POUR LES MACHINES À BATTERIE.
CLASE DE AISLAMIENTO III, ESTA CLASIFICACIÓN ES VÁLIDA SOLO PARA EQUIPOS QUE FUNCIONAN CON BATERÍA.



DIRECT CURRENT SYMBOL
SYMBOLE COURANT CONTINU
SÍMBOLO CORRIENTE CONTINUA



		CE
		
Model :	Ser.N :	
Vac :	Date :	
W :	IP :	
A :	Kg :	
Hz :		

Fig.1

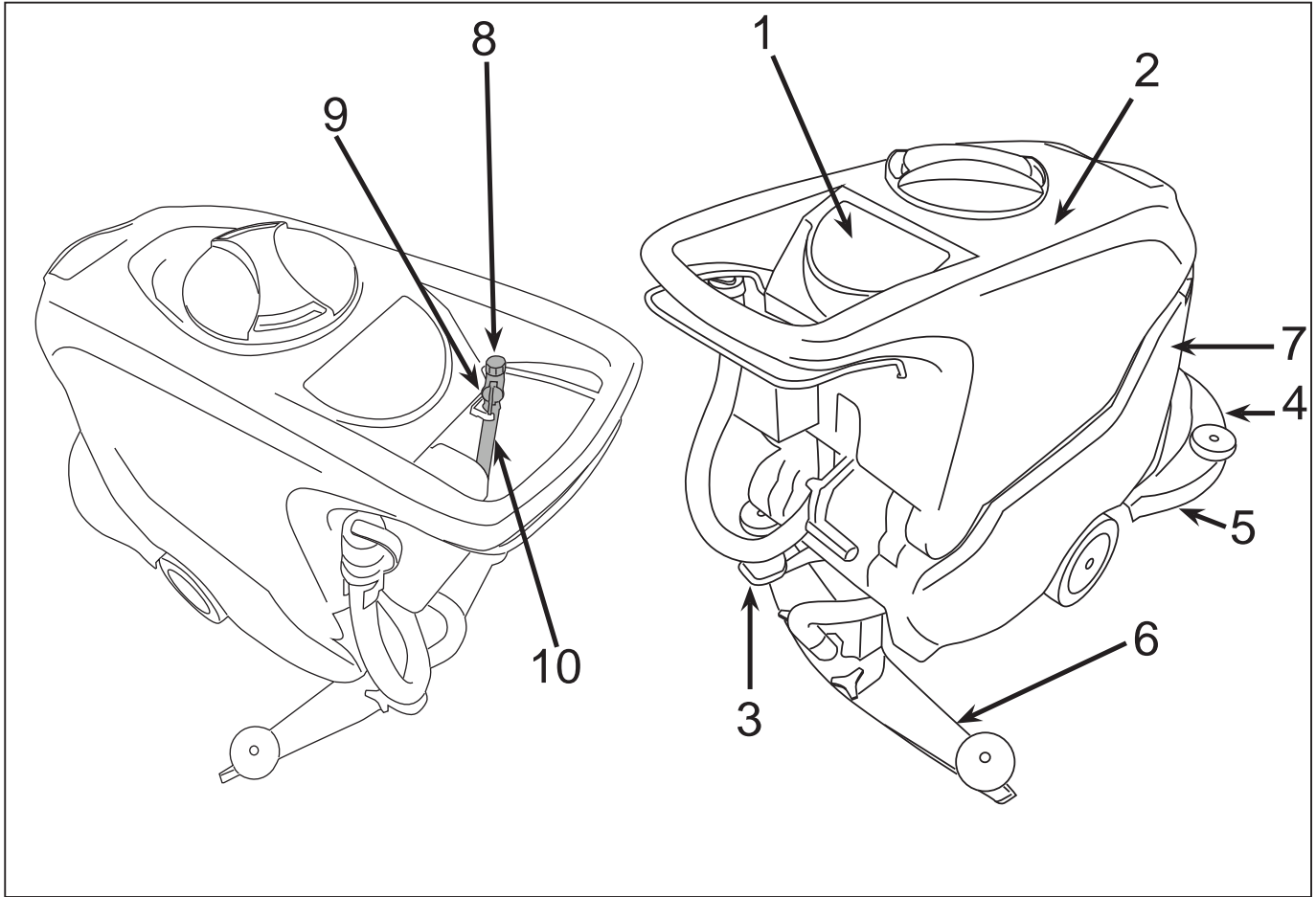


Fig.2

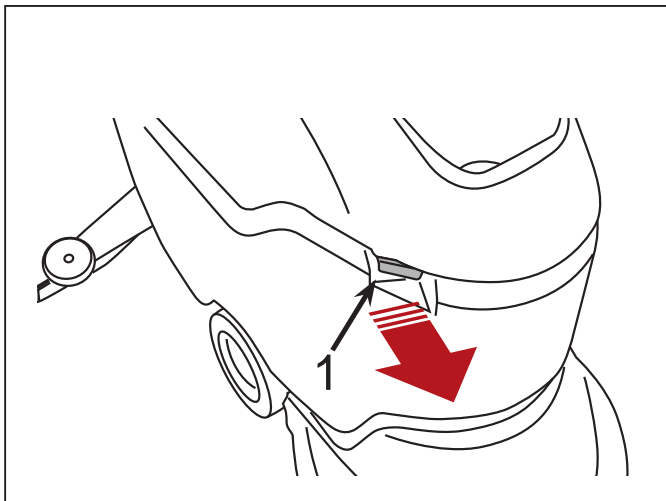


Fig.3

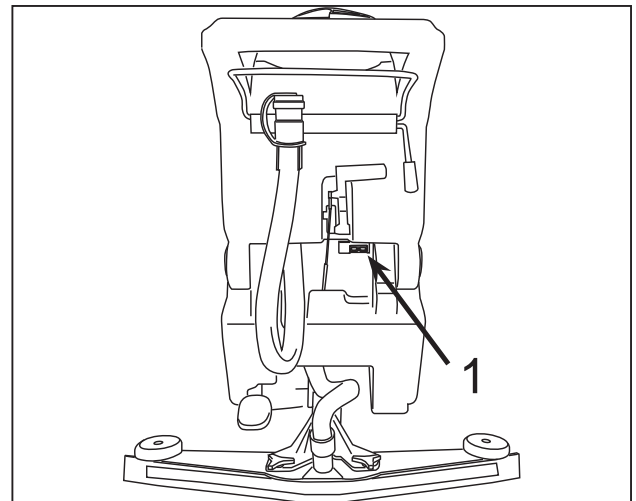


Fig.4

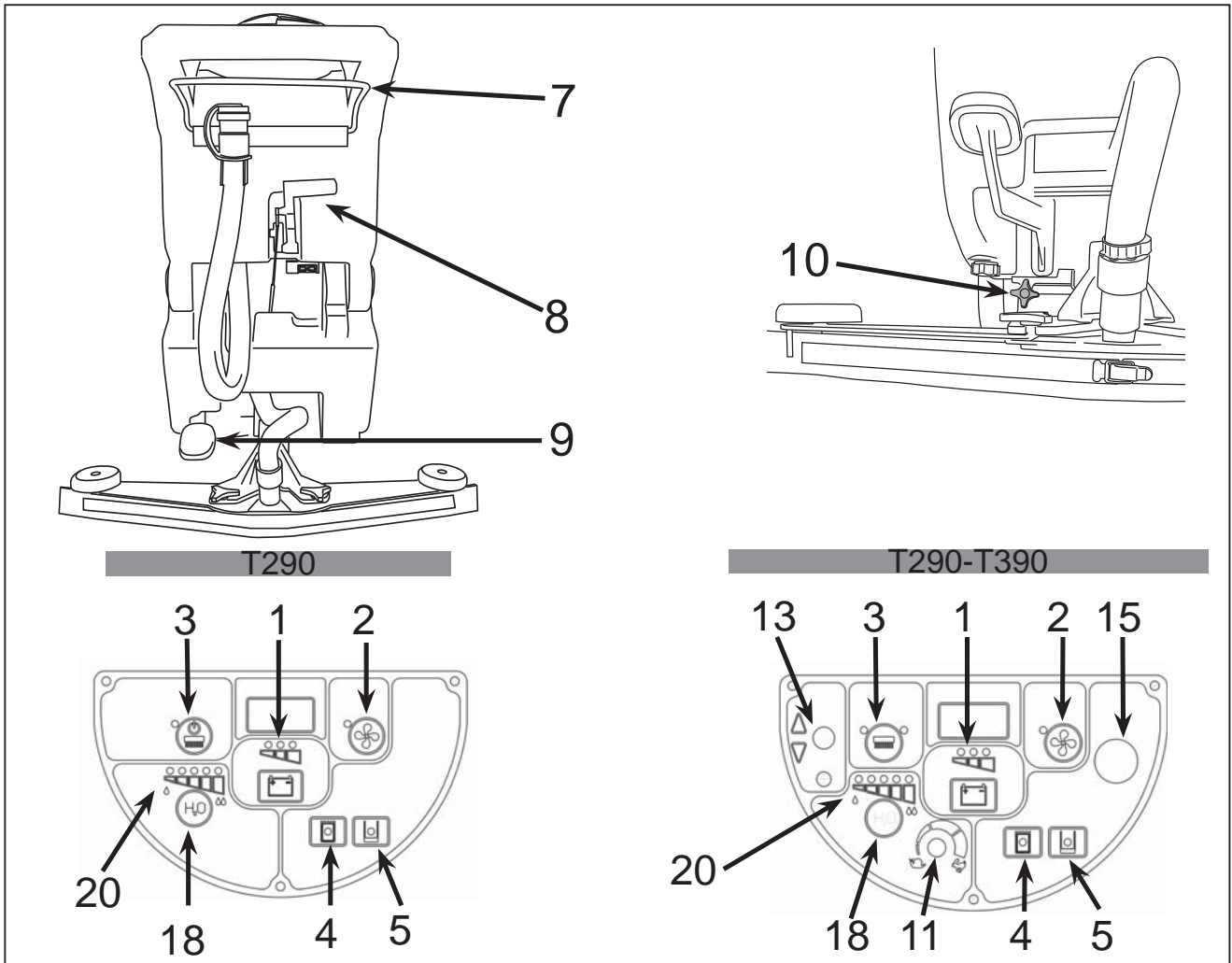


Fig.5

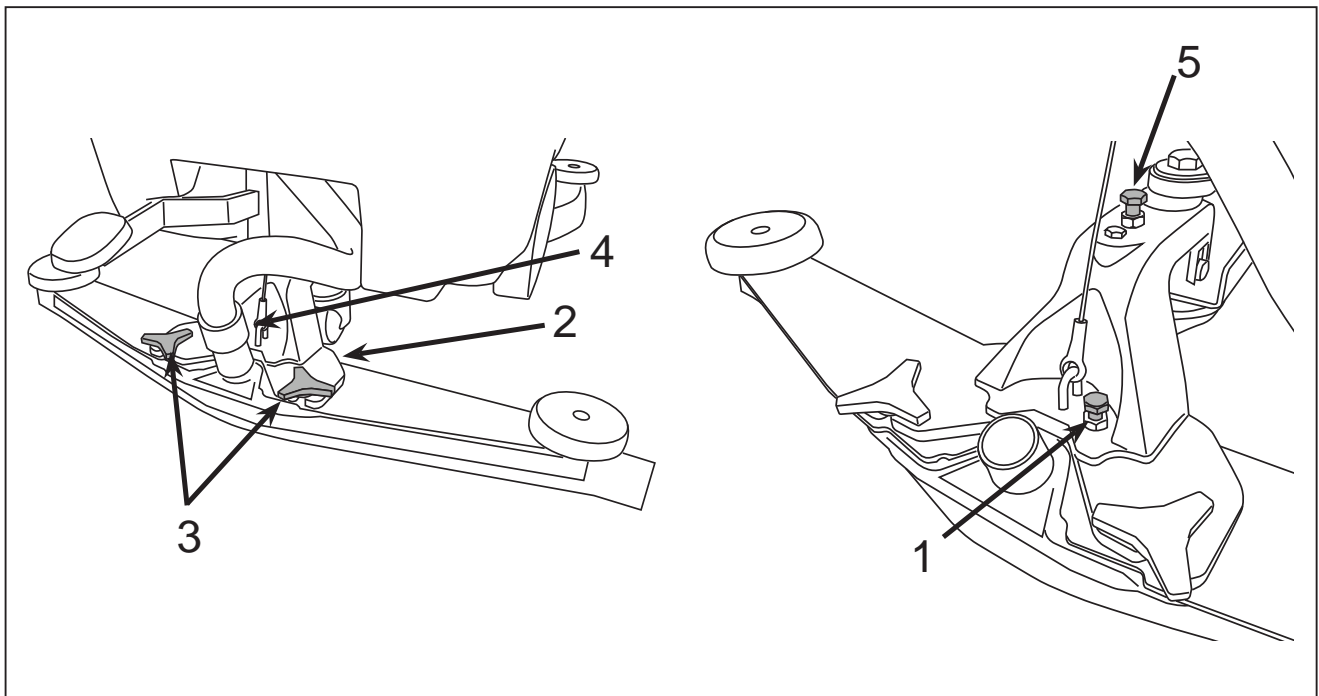


Fig.6

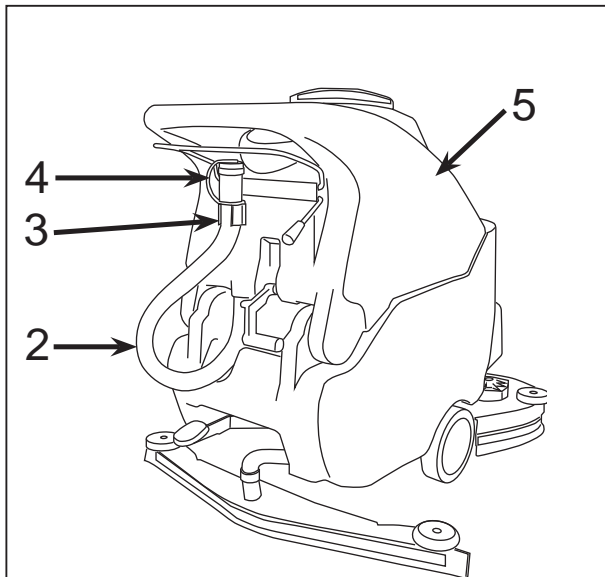


Fig.7

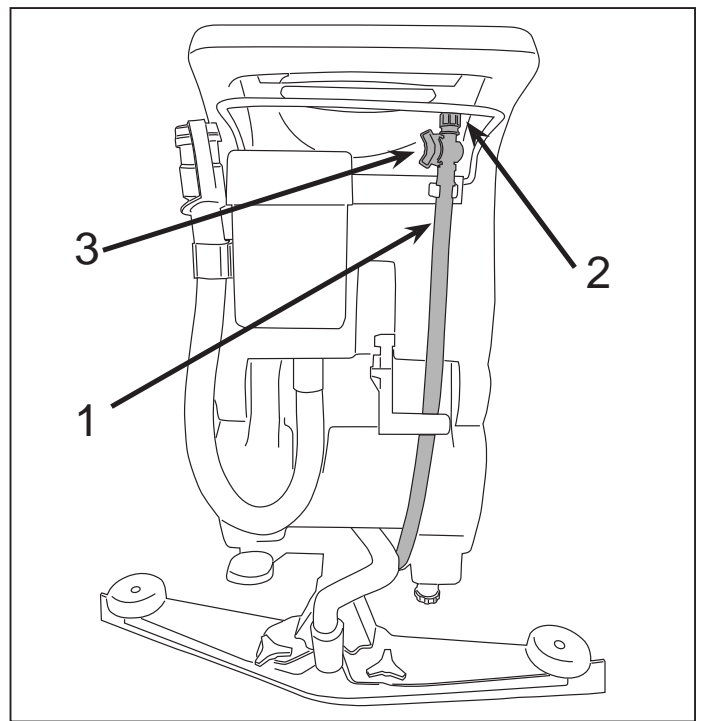


Fig.8

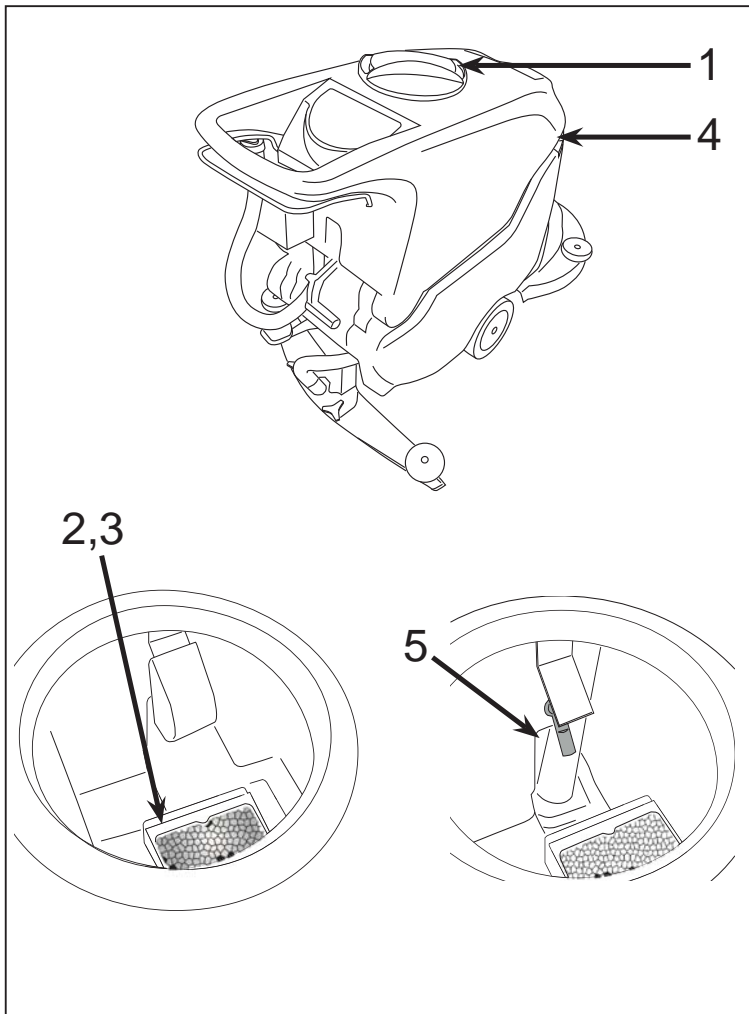


Fig.9

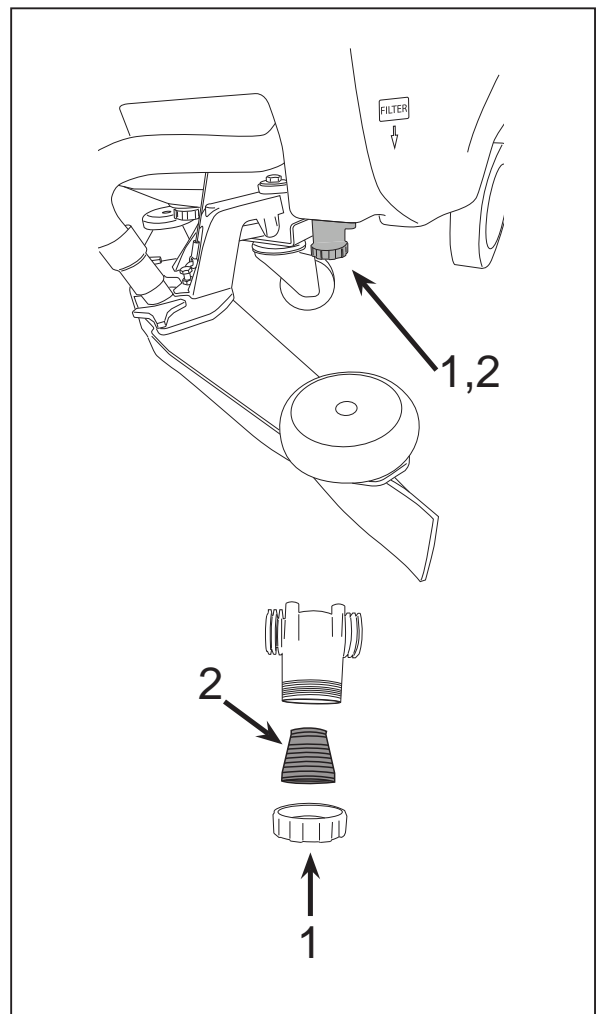


Fig.10

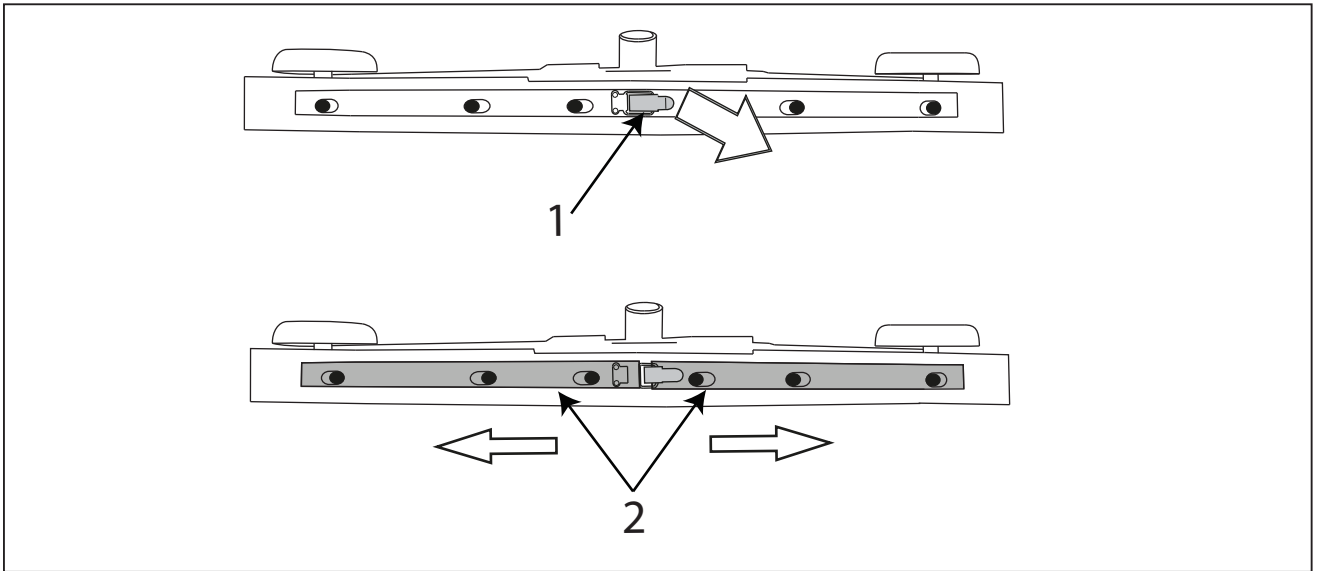


Fig.11

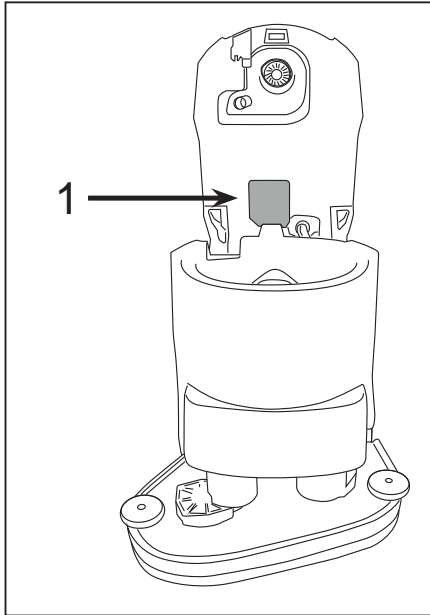


Fig.12

ENGLISH

(Translated instructions)

1. INDEX

1. INDEX	2
2. GENERAL INFORMATION	3
2.1. PURPOSE OF THIS MANUAL.....	3
2.2. IDENTIFYING THE MACHINE	4
2.3. DOCUMENTATION PROVIDED WITH THE MACHINE.....	4
3. TECHNICAL INFORMATION	4
3.1. GENERAL DESCRIPTION.....	4
3.2. PARTS OF THE MACHINE.....	4
3.3. DANGER ZONES.....	5
3.4. ACCESSORIES.....	5
4. SAFETY INFORMATION	5
4.1. SAFETY PRECAUTIONS	5
5. MOVEMENT INSTALLATION	8
5.1. LIFTING AND TRANSPORTING THE PACKAGED MACHINE	8
5.2. DELIVERY CHECKS.....	8
5.3. UNPACKING	8
5.4. ELECTRICAL CONNECTIONS AND EARTH (CABLE MODELS).....	8
5.5. POWER SUPPLY BATTERIES (BATTERY MODELS)	9
5.6. BATTERY CHARGER (BATTERY MODELS)	11
5.7. LIFTING AND TRANSPORTING THE MACHINE	11
6. PRACTICAL GUIDE FOR THE OPERATOR	12
6.1. CONTROLS - DESCRIPTION	12
6.2. MOUNTING AND ADJUSTING THE SQUEEGEE	13
6.3. MOVING THE MACHINE WHEN NOT IN OPERATION.....	13
6.4. MOUNTING AND CHANGING THE BRUSH/DRIVE DISKS	14
6.5. DETERGENTS - INSTRUCTIONS	14
6.6. FILLING THE WATER/DETERGENT TANK	15
6.7. PREPARING THE MACHINE FOR WORK	15
6.8. WORKING	15
6.9. SOME USEFUL TIPS TO GET THE MOST FROM YOUR SCRUBBER DRIER	16
6.10. DRAINING THE DIRTY WATER.....	17
6.11. DRAINING THE CLEAN WATER.....	17
7. PERIODS OF INACTIVITY	17
8. BATTERY MAINTENANCE AND CHARGING	18
8.1. CHARGING PROCEDURE.....	18
8.2. ON BOARD CHARGER SETTING INSTRUCTIONS.....	18
9. MAINTENANCE INSTRUCTIONS	20
9.1. MAINTENANCE - GENERAL RULES	20
9.2. ROUTINE MAINTENANCE.....	20
9.3. ROUTINE MAINTENANCE	21
9.4. MAINTENANCE	22
10. TROUBLESHOOTING	23
10.1. HOW TO RESOLVE POSSIBLE PROBLEMS	23
11. DISPLAY ALARMS	26
12. T290 - RECOMMENDED SPARE PARTS	28
13. T390 - RECOMMENDED SPARE PARTS	28

2. GENERAL INFORMATION



Read this manual carefully before carrying out any work on the machine¹.

2.1. Purpose of this manual

This manual has been written by the Manufacturer and is an integral part of the machine. It defines the purpose for which the machine has been designed and constructed and contains all the information required by operators².

In addition to this manual containing all user information, other publications are available providing specific information for maintenance personnel³.

Constant compliance with the instructions provided in this manual guarantees the safety of the operator and the machine, ensures low running costs and high quality results and extends the working life of the machine. Failure to follow these instructions may lead to injury to the operator or damage to the machine, floor and environment.

Consult the table of contents at the beginning of the manual to find the section you need rapidly.

Parts of the text requiring special attention are printed in bold and preceded by the symbols illustrated and described here.

! DANGER

Indicates the need for attention in order to avoid a series of consequences which could cause death or serious injury to personnel.

👉 IMPORTANT

Indicates the need for attention in order to avoid a series of consequences which could cause injury to personnel or damage to the machine or work environment or financial loss.

i INFORMATION

Indicates particularly important instructions.

In line with the company's policy of constant product development and updating, the Manufacturer reserves the right to make modifications without prior notice.

Although your machine may differ appreciably from the illustrations in this document, the correctness and validity of the instructions contained in this manual are guaranteed.

¹ The definition "machine" replaces the trade name covered by this manual.

² Persons responsible for using the machine without performing any operations requiring precise technical skills.

³ Persons with experience, technical training and a knowledge of legislation and standards, able to perform all the necessary operations and to recognise and avoid possible risks in handling, installation, use and maintenance of this machine.

2.2. Identifying the machine

The rating plate (fig. 1) provides the following information:

- model code;
- model;
- power supply;
- total nominal power;
- serial number;
- year of fabrication;
- dry weight;
- maximum slope;
- barcode with serial number;
- manufacturer's identification.

2.3. Documentation provided with the machine

- Operator's manual
- guarantee certificate;
- Charger Manual.

3. TECHNICAL INFORMATION

3.1. General description

This machine is a scrubber drier for sweeping, washing and drying flat, horizontal, smooth or moderately rough, even and obstacle free floors in civil and industrial premises. It is available in both battery and cable versions to meet all running time and weight requirements.

The scrubber drier spreads a solution of water and detergent in the correct concentration on the floor and then scrubs it to remove the dirt. By carefully choosing the detergent and brushes (abrasive disks or rollers) from the wide range of accessories available, the machine can be adapted to a wide range of combinations of types of floor and dirt.

A suction system incorporated in the machine dries the floor after washing by means of the low pressure generated in the dirty water tank by the suction motor. The squeegee connected to the tank collects the dirty water.

The machine is moved forward by:

MODEL B mechanical drive: the scrubber drier is provided with a special mechanical drive device which exploits the friction between the brush and the floor to generate a forward movement (for further details, see paragraph 6.7).

MODEL BT electric drive: the scrubber drier is moved forward by means of a special electromechanical drive device.

3.2. Parts of the machine

The main parts of the machine are as follows (fig. 2):

- the detergent tank (fig. 2, ref. 7): contains and transports the mixture of clean water and detergent;
- the dirty water drum (fig. 2, ref. 2): collects the dirty water picked up from the floor after washing;
- control panel (fig. 2, ref. 1);
- head assembly (fig. 2, ref. 4): the main element is the brushes/rollers (fig. 2, ref. 5) which distribute the detergent solution on the floor and remove the dirt;
- squeegee assembly (fig. 2, ref. 6): wipes and dries the floor by collecting the water.
- head lift pedal (fig. 2, ref. 3): raises the brush head during transport.

3.3. Danger zones

- A -Tank assembly: when using certain detergents, danger of irritation for eyes, skin, mucous membranes and respiratory tract and of asphyxia. Danger represented by the dirt collected from the environment (germs and chemical substances). Danger of crushing between the two tanks when the dirty water tank is replaced on top of the detergent tank.
- B -Control panel: risk of injury from short circuits.
- C -Bottom of washing head: danger due to brush rotation.
- D -**Rear wheels**: danger of crushing between the wheel and chassis.
- E -**Battery compartment** (in the detergent tank): danger of short circuit between the battery poles and presence of hydrogen during charging.

3.4. Accessories

- **Bristle brushes**: for washing delicate floors and polishing;
- **Polypropylene brushes**: for normal floor washing;
- **Drive disks**: enable the following disks to be used:
 - * Yellow disks: for washing and polishing marble and similar surfaces;
 - * Green disks: for washing resistant floors;
 - * Black disks: for thorough washing of resistant floors with stubborn dirt.
- **S.P.E. CBHD1 / CBHD1-XR-P battery charger**

4. SAFETY INFORMATION

4.1. Safety precautions



Read this Operator's Manual carefully before start-up and use and before performing any maintenance or other work on the machine.

IMPORTANT

Rigorously respect all instructions in the Manual (in particular those relating to danger and important information) and on the safety plates fitted to the machine. The Manufacturer declines all liability for damage to people or things resulting from failure to observe the instructions.

The appliance must be used exclusively by persons trained in its use and/or who have demonstrated their ability and have been expressly instructed to use the appliance.

The machine must not be used by minors.

The machine must not be used for purposes other than those for which it was expressly designed. Scrupulously respect all safety standards and conditions applicable to the type of building in which the machine is to be operated (e.g.: pharmaceutical companies, hospitals, chemicals, etc.).

This machine is intended for use in commercial applications, such as hotels, schools, hospitals, factories, shops and offices, or for hire.

Do not use the machine in inadequate lighting, explosive atmospheres, on public roads, to clean dirt that is hazardous to health (dust, gas, etc.) or in unsuitable environments.

The machine must only be used indoors.

The machine is designed to operate in temperatures between +4°C and +35°C (39.2°F and 95°F). It can be stored in temperatures between +0°C and +50°C (32°F and 122°F) when not in use.

The machine is designed to operate at relative humidity levels between 0% and 95%.

Warning, the machine must be kept indoors at all times.

Never use or pick up flammable liquids or explosives (e.g. petrol, fuel oil, etc), flammable gases, dry dusts, acids and solvents (e.g. paint solvents, acetone etc) even if diluted. Never pick up flaming or incandescent objects.

Never use the machine on slopes or ramps of more than 2%. In the case of slight slopes, do not use the machine transversally, always manoeuvre with care and do not reverse. When transiting steeper ramps or slopes, take the utmost care to prevent tipping and/or uncontrolled acceleration. Move the machine on ramps and/or steps only with the brush head and squeegee raised.

Never park the machine on a slope.

Never leave the machine unattended with the motor or engine on. Before leaving it, turn the motor or engine off and make sure it cannot move accidentally.

Always pay attention to other people, children in particular, present in the place where you are working.

Children must be supervised to make sure they do not play with the machine.

The machine is not intended for use by persons (including children) with reduced physical, sensory or mental capabilities, or lack of experience and knowledge, unless they are supervised by a person responsible for their safety and have received instruction in the use of the machine.

Never use the machine to transport people or goods or to tow things. Do not tow the machine.

Never rest objects of any weight on the machine for any reason.

Never obstruct the ventilation and heat dispersion openings.

Never remove, modify or circumvent safety devices.

Numerous unpleasant experiences have shown that a wide range of personal objects may cause serious accidents. Before beginning work, remove jewellery, watches, ties, etc.

The operator must always use personal protection devices - protective apron or overalls, non-slip waterproof shoes, rubber gloves, protective goggles and ear protectors and mask to protect the respiratory tract.

Keep hands away from moving parts.

Never use detergents other than those specified. Follow the instructions on the relative safety sheet. We recommend keeping detergents out of reach of children. In the event of contact with the eyes, wash immediately with abundant water. If ingested, consult a doctor immediately.

Make sure the power sockets used for the models with cable or battery charger are connected to a suitable earth system and protected by differential thermal solenoid switches.

Make sure the electrical characteristics of the machine (voltage, frequency, absorbed power) given on the rating plate (fig. 1) are the same as those of the mains electricity supply. The machine with cable has a three-wire cable and a three pin earthed plug for use in an appropriate earthed socket. The earth wire is yellow and green. Never connect this wire to anything other than the earth contact of the socket.

It is indispensable to respect the battery manufacturer's instructions and applicable legislation. The batteries should always be kept clean and dry to avoid surface leakage current. Protect the batteries from impurities such as metal dust.

Never rest tools on the batteries as they could cause short circuits leading to explosions.

When using battery acid, always follow the relative safety instructions scrupulously.

When using cable-powered versions, make sure to avoid crushing or tearing the power cable, and make sure the rotating brush does not come into contact with the power cable.

Check the power cable regularly. If damaged, do not under any circumstances use the machine. For replacement, contact a specialised service centre.

To recharge the batteries, always use the battery charger supplied with the machine (when provided).

If particularly strong magnetic fields are present, assess their possible effect on the control electronics.

Never wash the machine with water jets.

The fluids collected contain detergent, disinfectant, water and organic and inorganic material. They must be disposed off in accordance with current legislation.

In the case of malfunction and/or faulty operation, turn the machine off immediately (disconnecting it from the mains power supply or batteries) and do not tamper. Contact a service centre authorised by the Manufacturer.

All maintenance operations must be performed in an adequately lit place and only after disconnecting the machine from the power supply, in cable models by unplugging the machine from the socket, in battery models by disconnecting the battery connector.

All work on the electrical system and all maintenance and repair operations other than those explicitly described in this manual must be performed by specialised personnel expert in the sector only.

If the power cable, plug or terminals require replacing, make sure the electrical connections and cable grip inside the control panel are tightly fastened to guarantee the resistance of the cable if pulled. Then replace the panel carefully to guarantee the safety of the operator.

Only original accessories and spare parts supplied by the Manufacturer may be used in order to guarantee safe problem-free operation of the machine. Never use parts removed from other machines or from other kits.

This machine has been designed and constructed to provide ten years' service from the fabrication date shown on the rating plate (fig. 1). After this period, whether the machine has been used or not, it should be disposed of according to current legislation in the country in which it is used.

- the machine must be disconnected from the power supply, emptied of liquids and cleaned;
- the product is classified as WEEE type special waste and is covered by the requisites of the new environmental protection regulations (2002/96/EC WEEE). It must be disposed of separately from ordinary waste in compliance with current legislation and standards.

Special waste. Do not dispose of with ordinary waste.

Alternatively, return the machine to the Manufacturer for a complete overhaul.

If you decide to stop using the machine, remove the batteries and dispose of them through an authorised recycling centre.

Also make sure that all parts of the machine that could represent a hazard, particularly to children, are made safe.



5. MOVEMENT INSTALLATION

5.1. Lifting and transporting the packaged machine

IMPORTANT

During all lifting operations, make sure the packaged machine is firmly secured to avoid it tipping up or being accidentally dropped.

Always load/unload lorries in adequately illuminated areas.

The machine is packaged on a wooden pallet by the Manufacturer. It must be loaded on to the transporting vehicle using suitable equipment (see EC Directive 89/392 and subsequent amendments and/or additions). At destination, it must be unloaded using similar means.

The squeegees are packed in cardboard boxes without pallet.

A fork lift truck must always be used to lift the packaged body of the machine. Handle with care to avoid knocking or overturning the machine.

5.2. Delivery checks

When the carrier delivers the machine, make sure the packaging and machine are both whole and undamaged. If the machine is damaged, make sure the carrier is aware of the damage and before accepting the goods, reserve the right (in writing) to request compensation for the damage.

5.3. Unpacking

IMPORTANT

When unpacking the machine, the operator must be provided with the necessary personal protection devices (gloves, goggles, etc.) to limit the risk of injury.

Proceed as follows to unpack the machine.

- cut and remove the plastic straps using scissors or nippers;
- remove the cardboard;
- remove the bags in the battery compartment (in the detergent tank) and check the contents:
 - guarantee slip;
 - use and maintenance manual;
 - battery bridges with terminals (battery model only);
 - battery charger connector (battery models only);
- depending on the model, remove the metal brackets or cut the plastic straps fixing the machine chassis to the pallet;
- using a sloping ramp, push the machine backwards off the pallet;
- unpack the brushes and squeegees;
- clean the outside of the machine in respect of safety regulations;
- after unpacking the machine, install the batteries (battery models) or connect the electrical connections (cable models). See relevant sections.

The packaging may be kept and reused to protect the machine if it is moved to another site or to a repair workshop.

Otherwise it must be disposed of in compliance with current legislation.

5.4. Electrical connections and earth (cable models)

The electrical characteristics of the machine are given on the rating plate (fig. 1). Make sure the frequency and voltage correspond to those of the mains supply where the machine will be operated. Make sure the frequency and voltage correspond to those of the mains supply where the machine will be operated. As far as voltage is concerned, models where the rating plate specifies a voltage of 230 V can be used with voltages of

between 220 V and 240 V. Similarly, models rated at 115 V can be used at between 110 V and 120 V. The frequency on the plate must always correspond to the mains voltage.

IMPORTANT

Make sure the mains circuit is suitably earthed and that the sockets (and any adaptors used) ensure the continuity of the earth conductors.

! DANGER

Failure to observe these instructions could cause possibly serious damage to people and things and invalidates the guarantee.

5.5. Power supply batteries (battery models)

Two different types of battery may be installed on these machines:

- tubular leak-proof batteries: the electrolyte level must be checked regularly. When necessary, top up with distilled water until the plates are covered. Do not over-fill (5 mm max. above the plates).
- gel batteries: this type of battery requires no maintenance.

The technical characteristics must correspond to those indicated in the paragraph on the technical specification of the machine. The use of heavier batteries could seriously jeopardise manoeuvrability and lead to the brush motor overheating. Batteries with a lower capacity and weight will require charging more frequently.

Batteries must be kept charged, dry and clean and the connections must be kept tight.

i INFORMATION

Follow the instructions below to configure the machine's software for the type of batteries installed:

Mechanical drive version (B):

- turn the machine on by pressing the button (fig. 5, ref. 3), wait 5 seconds and make sure the display comes on.
- press the brush buttons (fig. 5, ref. 3) and suction button (fig. 5, ref. 2) together for at least 5 seconds. This accesses the battery setting menu.
- press the suction button (fig. 5, ref. 2) to select the type of battery installed on the machine "ACd" for acid batteries (tubular leak-proof batteries) or "GEL" (GEL batteries).
- Press together the buttons (fig. 5 ref. 2) and (fig. 5 ref. 3) for least 5 seconds, to save the changes and exit.

Electric drive version (BT): set the machine software to the type of battery installed, following this sequence:

- turn the machine on by turning the emergency button key switch (fig. 5, ref. 15), wait 5 seconds and make sure the display comes on.
- press the brush buttons (fig. 5, ref. 3) and suction button (fig. 5, ref. 2) together for at least 5 seconds. This accesses the battery setting menu.
- press the suction button (fig. 5, ref. 2) to select the type of battery installed on the machine "ACd" for acid batteries (tubular leak-proof batteries) or "GEL" (GEL batteries).
- Press together the buttons (fig. 5 ref. 2) and (fig. 5 ref. 3) for least 5 seconds, to save the changes and exit .

5.5.1. Batteries: preparation

! DANGER

During installation of the batteries or any type of battery maintenance, the operator must be provided with the necessary personal protection devices (gloves, goggles overalls, etc) to limit the risk of accident. Keep away from naked flames, avoid short circuiting the battery poles, avoid sparks and do not smoke.

Batteries are normally supplied filled with acid and ready for use.

If the batteries are dry, proceed as follows before installing them in the machine.

- remove the caps and fill all elements with specific sulphuric acid solution until the plates are entirely covered (this requires at least a couple of passes for each element);
- leave for 4-5 hours to allow the air bubbles to come to the surface and the plates to absorb the electrolyte;
- make sure the level of electrolyte is still above the plates and if necessary top up with sulphuric acid solution;
- close the caps;
- mount the batteries on the machine (following the procedure described below).

Before starting up the machine for the first time, charge the batteries as follows.

5.5.2. Batteries: installation and connection

! DANGER

Check that all switches on the control panel are in the "0" (off) position.

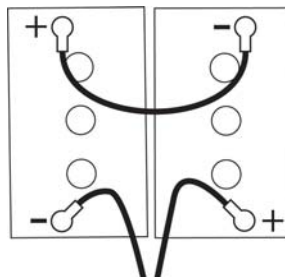
Make sure you connect the terminals marked with a "+" to the positive poles of the battery. Do not check the battery charge by sparking.

Meticulously follow the instructions given below as short circuiting the batteries could cause them to explode.

- Make sure the two tanks are empty (if necessary, empty them. See the relevant paragraph).
- Release the dirty water drum (fig. 2, ref. 2) from the detergent tank (fig. 2, ref. 7) by pulling the catch (fig. 3, ref. 1).
- Lift the dirty water drum and tilt it backwards by about 90°. This provides access to the battery compartment (in the detergent tank) from above.
- Place the batteries in the compartment in the direction shown in the drawing printed inside the compartment on the detergent tank.

! IMPORTANT

Mount the batteries on the machine using lifting means suitable for their weight. The positive and negative poles have different diameters.



- Referring to the wiring layout shown in the above diagram, connect the battery cable and bridge terminals to the battery poles. Arrange the cables as shown in the diagram, tighten the terminals on the poles and cover with Vaseline.
- Lower the dirty water drum into its work position and fasten it to the detergent tank;
- When using the machine, follow the instructions below.

5.5.3. Batteries: removal

! DANGER

When removing the batteries, the operator must be equipped with suitable personal protection devices (gloves, goggles, overalls, safety shoes, etc) to reduce the risk of accidents. Make sure the switches on the control panel are in the "0" position (off) and the machine is turned off. Keep away from naked flames, do not short circuit the battery poles, do not cause sparks and do not smoke. Proceed as follows:

- disconnect the battery wiring and bridge terminals from the battery poles.
- if necessary, remove the devices fixing the battery to the base of the machine.
- lift the batteries from the compartment using suitable lifting equipment.

5.6. Battery charger (battery models)

IMPORTANT

Never allow the batteries to become excessively flat as this could damage them irreparably.

5.6.1. Choosing a battery charger

Make sure the battery charger is compatible with the batteries to be charged:

- tubular lead batteries: you are recommended to use a 24V - 20 A automatic battery charger. However, you should always consult the battery charger manufacturer and manual to confirm the choice.
- gel batteries: use a charger specific for this type of battery.

5.6.2. Preparing the battery charger

If you wish to use a battery charger not provided with the machine, you must fit it with the connector supplied with the machine (see paragraph "Unpacking" in this manual).

The connector supplied for the external battery charger is suitable for cables with a minimum cross-section of 4 mm²

Proceed as follows to fit the connector.

- Remove about 13 mm of protective sheath from the red and black cables of the battery charger.
- Insert the wires into the connector contacts and squeeze them forcefully with suitable pliers.
- Respect the polarity (red wire + black wire -) when inserting the wires into the connector.

5.7. Lifting and transporting the machine

IMPORTANT

All phases of lifting and moving must be performed in an adequately illuminated environment with the adoption of the safety measures most appropriate to the situation.

The operator must always use personal protection devices.

To load the machine onto a means of transport, proceed as follows:

- empty the dirty water and detergent tanks;
- remove the squeegee and brushes or drive disks;
- remove the batteries;
- place the machine on the pallet and fix it with plastic straps or metal brackets;

- lift the pallet (with the machine) using a fork lift truck and load it onto the means of transport;
- anchor the machine to the means of transport with cables connected to the pallet and machine itself.

6. PRACTICAL GUIDE FOR THE OPERATOR

6.1. Controls - Description

With reference to fig. 5, the machine has the following controls and indicator lights:

- **Battery charge light** (fig. 5, ref. 1): consists of 3 LEDs (red, yellow and green) which indicate the level of battery charge. There may be:
 - a) green LED on: batteries from 100% to 50% charged;
 - b) yellow LED on: batteries from 50% to 18% charged;
 - c) red LED on: batteries almost flat;
 - d) **red LED flashing**: batteries completely flat; after a few seconds the brushes stop and the brush switch light also comes on.
- **Main key switch - emergency button** (fig. 5, ref. 15 BT models with electric drive): enables and disables power to all machine functions. Acts as a safety device. To start up the machine, turn the key clockwise. To stop the machine press the button.
- **Main Switch** (fig. 5, ref. 3 B models with mechanical drive): enables and disables electrical power to all machine functions. To start the machine press the button. To stop the machine press the button.
- **Brush button with light** (fig. 5, ref. 3 - **all models**): enables (LED on) and disables (LED off) brush and suction motor operation.
- **Suction button with light** (fig. 5, ref. 2): switches the suction motor responsible for drying the floor being washed on ("LED on") or off ("LED off"). The light is on when there is power to the suction motor.
- **Solution flow regulation button** (fig. 5, ref. 18): enables the flow of detergent to the brushes to be regulated constantly. The quantity of liquid delivered is indicated by the LEDs (fig. 5, ref. 20).

Holding this button down for at least 2 seconds enables/disables detergent flow.

On this machine, the quantity of flow delivered can be adjusted manually by pressing the detergent flow regulation button (fig. 5, ref. 18) a number of times or automatically (**BT models with electric drive only**). In this mode, the flow delivered will automatically be in proportion to machine speed. Follow the instructions below to set the machine's software for the type of detergent flow:

- turn the machine on, wait 5 seconds and make sure the display comes on.
- press the brush buttons (fig. 5, ref. 3) and suction button (fig. 5, ref. 2) together for at least 5 seconds. This accesses the battery setting menu.
- press the brush button (fig. 5, ref. 3) once to access the water regulation menu ("MAN" or "AUT" appears on the display).
- press the suction button (fig. 5, ref. 2) a number of times to select "MAN" (manual) or "AUT" (automatic) operating mode.
- memorise the displayed parameter by pressing the emergency or brush button.
- **Drive lever** (fig. 5, ref. 7): the drive lever moves the machine forwards and rotates the brushes.
- **Squeegee lever** (fig. 5, ref. 8): raises (if lowered) or lowers (if raised) the squeegee.

- **Direction adjustment knob** (fig. 5, ref. 10): turn to correct any deviation of the machine from a straight line.
- **Head lowering/raising pedal** (fig. 5, ref. 9): on the left side of the machine, when pressed it lowers/raises the brush head.
- Detergent tank level indicator (fig. 5, ref. 5): the LED comes on when there is no longer sufficient water in the detergent tank.
- Dirty water drum level indicator (fig. 5, ref. 4): when the dirty water drum is full the LED comes on and after a few seconds the suction motor shuts down.
- **Display:** displays any alarms active. During normal operation, it displays the hour counter (giving the actual number of hours the machine has been operating).
- **Direction selection** (fig. 5, ref. 13 - **BT models with electric drive**): sets movement of the machine to forwards or reverse.
- **Speed control potentiometer** (fig. 5, ref. 11 - **BT models with electric drive**), turning the potentiometer sets the maximum machine speed.

6.2. Mounting and adjusting the squeegee

The squeegee (fig. 6) is responsible for the first phase of drying.

To mount the squeegee on the machine, proceed as follows:

- check that the squeegee mount (fig. 6, ref. 2) is raised, otherwise lift it by means of the squeegee lever (fig. 5, ref. 8);
- insert the suction hose sleeve (fig. 6, ref. 4) fully into the squeegee;
- slacken the two knobs (fig. 6, ref. 3) at the centre of the squeegee;
- insert the two threaded pins into the slots on the support (fig. 6, ref. 2);
- fix the squeegee by tightening the two knobs (fig. 6, ref. 3).

The squeegee blades scrape the film of water and detergent from the floor and prepare the way for perfect drying. With time, the constant rubbing makes the edge of the blade in contact with the floor rounded and cracked, reducing the drying efficiency and requiring it to be replaced. The state of wear should be checked frequently.

For perfect drying, the squeegee must be adjusted in such a way that the edge of the rear blade bends during operation by about 45° with respect to the floor at every point. The angle of the blades can be adjusted using the screw (fig. 6, ref. 1), while the height of the squeegee from the floor can be adjusted using the screw (fig. 6, ref. 5).

6.3. Moving the machine when not in operation

Proceed as follows to move the machine.

- raise the squeegee;
- push the head pedal down then to the right (fig. 5 ref. 9) to raise the head;
- move the machine as follows:
 - Versions with mechanical drive: push or pull;
 - Versions with electric drive: to move the machine forwards, press the selector (fig. 5 ref. 13), then operate the drive lever (fig. 5 ref. 7). To move the machine backwards, press the selector (fig. 5 ref. 13), then operate the drive lever (fig. 5. ref. 7);
speed can be varied by the potentiometer knob (fig. 5. ref. 11).
- once you have reached your destination, lower the head by pressing the release pedal (fig. 5 ref. 9) down and to the left, then release it.

WARNING!

Do not leave the machine unattended or parked with the head lifted or the key inserted in the emergency button.

6.4. Mounting and changing the brush/drive disks

IMPORTANT

Never work without the brushes, rollers and drive disks perfectly installed.

Fitting the brush (one-brush models): Rest the brush on the floor in front of the machine and centre it with the guard. Lower the head and repeatedly action the brush/drive control lever (fig. 5, ref. 7) until the brush automatically engages on the flange hub. If the manoeuvre is not successful, press on the handle again and repeat the centring and repeated actioning of the brush/drive lever.

Use of abrasive/microfibre disks: fit the abrasive/microfibre disk on the drive disk and perform the operations described for fitting the brush on the scrubber drier.

Removing the brush (one-brush models) (or drive disk):

Raise the machine head by pushing the head lift pedal down and then to the right (fig. 5, ref. 9) and repeatedly action the brush/drive lever. After a few pulses, the brush/es (or drive disk) is released and falls to the ground.

! DANGER

These operations must be performed with the machine off.

Fitting the brushes (two brush models):

Raise the machine head by pushing the head lift pedal down and then to the right (fig. 5, ref. 9).

Place the brushes under the head drive disk.

Lift the right brush with your hands and turn it clockwise, locking it in position on the drive disk. Lift the left brush with your hands and turn it anticlockwise, locking it in position on the drive disk.

Use of abrasive disks: fit the abrasive disk on the drive disk and perform the operations described for fitting the brush on the scrubber drier.

Removing the brushes (two-brush models):

Raise the machine head by pushing the head lift pedal down and then to the right (fig. 5, ref. 9). Turn the right brush anticlockwise, releasing it from the drive disk. Turn the left brush clockwise, releasing it from the drive disk.

6.5. Detergents - Instructions

IMPORTANT

Always dilute the detergent according to the manufacturer's instructions. Do not use sodium hypochlorite (bleach) or other oxidants, particularly in strong concentrations. Do not use solvents or hydrocarbons. The temperature of the water and detergent must not exceed the maximum indicated in the technical specification. They must be free of sand and/or other impurities.

The machine has been designed for use with low-foam biodegradable detergents made specifically for scrubber driers.

For a complete and up-to-date list of the detergents and chemicals available, contact the Manufacturer:

Use products suitable for the floor and dirt to be removed only.

Follow the safety regulations on use of detergents given in the section "Safety regulations".

6.6. Filling the water/detergent tank

Before commencing the operation of filling the water/detergent tank, unscrew the cap (fig. 2, ref. 8) and open the tap (fig. 2, ref. 9) on the hose (fig. 2, ref. 10). This sequence of steps will allow air to escape from the hose/tank and, during the course of the filling operation, enable inspection of the level of water/detergent in the tank directly from the exposed hose.

Fill the tank (fig. 2, ref. 7), by way of the opening provided at the front, with clean water and low-foam detergent mixed in a suitable concentration: leave at least 5 cm between the surface of the liquid and the opening of the tank. With the filling operation completed, close the tap (fig. 2, ref. 9) and retighten the cap (fig. 2, ref. 8).

6.7. Preparing the machine for work

IMPORTANT

Before starting work, wear overalls, ear protectors, non-slip waterproof shoes, mask to protect the respiratory tract, gloves and all other personal protection devices recommended by the supplier of the detergent used or necessitated by the work environment.

Proceed as follows before starting work.

- check the battery charge (recharge if necessary);
- lower the head by means of the pedal (fig. 5, ref. 9);
- make sure the dirty water drum (fig. 2, ref. 2) is empty. If necessary, empty it;
- fill the water/detergent tank.
- mount the most suitable brushes, drive disks or rollers for the floor and work to be performed (see paragraph 3.4);
- make sure the squeegee (fig. 2, ref. 6) is firmly attached and connected to the suction hose (fig. 6, ref. 4). Make sure the back blade is not worn.
-

INFORMATION

If you are using the machine for the first time, we recommend trying it out on a large obstacle-free surface first to acquire the necessary familiarity. Always empty the dirty water tank before filling the detergent tank again.

For effective cleaning and to extend the working life of the machine, follow a few simple rules:

- prepare the work area by removing all possible obstacles;
- begin working from the furthest point to avoid walking on the area you have just cleaned;
- choose the straightest possible working routes;
- divide large floors into parallel rectangular sections.

If necessary, finish off by passing a mop or rag rapidly over parts inaccessible to the scrubber drier.

6.8. Working

After setting up the machine, proceed as follows:

- lower the squeegee by means of the corresponding lever (fig. 5, ref. 8);
- press the brush button (fig. 5, ref. 3) (LED on), the suction motor starts up automatically;
- press the suction button (fig. 5, ref. 2) if you want to disable detergent suction;
- press the brush/drive lever (fig. 5, ref. 7);
- Models with mechanical drive: When the brush motor is enabled and the drive lever is pulled, the motor which turns the brush and moves the machine starts up. A special mechanical drive device uses the friction between the brush and floor to generate a

forward movement. When the mechanical drive lever is released, the brush motor shuts down and the machine stops.

If the machine pulls to one side, restore a straight course by using the direction regulation knob (fig. 5, ref. 10). If the machine pulls to the right, turn the knob clockwise and vice versa.

- Models with electric drive: to move forwards or backwards, see paragraph 6.3. periodically check that the detergent is reaching the brushes and refill when it runs out. When there is no longer sufficient water in the detergent tank, the level indicator lights up (fig. 5, ref. 5). Stop and fill the tank; when working, check cleaning quality and if necessary adjust the flow of detergent by pressing the button (fig. 5, ref. 18); the amount of liquid delivered is indicated by the LEDs (fig. 5, ref. 20).

IMPORTANT

**Empty the dirty water tank each time you fill the detergent tank.
Never leave the suction motor on and detergent tap open when parked.**

- when the dirty water drum is full, the level indicator comes on (fig. 5, ref. 4) and after a few seconds the suction motor shuts off. You must stop working and empty the tank.
- if the warning LED (fig. 5, ref. 1) starts flashing, it means that the batteries are almost flat. After a few seconds the brushes shut down to prevent excessive discharge of the batteries. Charge the batteries.

At the end of work:

- release the brush/drive lever (fig. 5, ref. 7) located under the handgrip. This turns the brush/drive motor off and the machine stops;
- stop the brush by pressing the button (fig. 5, ref. 3);
- lift the lever (fig. 5, ref. 8) to raise the squeegee from the floor to prevent the continuous pressure from warping the blades;
- remove the brushes (or drive disks) to prevent them from warping permanently;
- empty and clean the dirty water tank.

6.9. Some useful tips to get the most from your scrubber drier

In the event of particularly stubborn dirt on the floor, washing and drying can be performed in two separate operations.

6.9.1. Prewashing with brushes or pads

- adjust detergent flow;
- press the brush button (fig. 5, ref. 3)
- lower the head;
- operate the drive lever to rotate the brushes;
- make sure the suction motor is off and the squeegee is raised;
- begin washing.

The flow of water must be adjusted in proportion to the desired advance speed. The slower the machine moves forwards, the less water is needed.

Persist when washing particularly dirty points to give the detergent time to perform its chemical action detaching and suspending the dirt and the brushes time to exert an effective mechanical action.

6.9.2. Drying

Lower the squeegee and with the suction motor on, pass over the same area washed previously. The result is equivalent to in-depth washing and subsequent ordinary maintenance will take less time.

To wash and dry at the same time, operate the brush, water, squeegee and suction motor simultaneously.

6.10. Draining the dirty water

! DANGER

Use suitable personal protection devices.

Drain the water with the machine disconnected from the power supply.

The dirty water drum drain hose is at the back left side of the machine.

To empty the tank:

- move the machine near a drain;
- detach the drain hose (fig. 7, ref. 2) from its seat by holding it near the fixing spring (fig. 7, ref. 3) and pulling horizontally;
- keeping the hose end as high as possible, unscrew and remove the cap (fig. 7, ref. 4);
- lower the end of the hose gradually, controlling the intensity of the flow of water by adjusting the height from the ground;
- check the amount of dirt left in the dirty water drum and if necessary wash it out. To facilitate cleaning and complete emptying of the drum, you are recommended to unfasten and lift it;
- when the dirty water has been totally drained, lower the dirty water drum (if previously lifted) and refasten to the detergent tank;
- close the drain hose (fig. 7, ref. 2) by replacing the cap (fig. 7, ref. 4), check that it is tightly closed and replace the hose in its housing.

IMPORTANT

When washing the dirty water drum, never remove the suction filter (fig. 9, ref. 2) from its housing and never direct the jet of water against the filter itself.

You are then ready to wash and dry again.

6.11. Draining the clean water

! DANGER

Use suitable personal protection devices.

To empty the detergent solution tank:

- position the machine near a drain;
- detach the hose (fig. 8, ref. 1) from its holder and unscrew the cap (fig. 8, ref. 2).
- lower the hose, and open the tap (fig. 8, ref. 3) to empty the tank.

i INFORMATION

The water and detergent solution can also be used to wash the dirty water tank.

7. PERIODS OF INACTIVITY

If the machine is not used for some time, remove the squeegee and brushes (or drive disks), wash them and put them away in a dry place (preferably in a bag or wrapped in plastic film) away from dust. Park the machine with the head lowered.

Make sure the tanks are completely empty and perfectly clean.

Disconnect the machine from the power supply.

Completely recharge the batteries and deposit them in the battery store. During long periods of inactivity, you should charge the batteries regularly (at least once every two months) to keep them constantly at maximum charge.

IMPORTANT

If you do not charge the batteries regularly, they may be irreparably damaged.

8. BATTERY MAINTENANCE AND CHARGING

! DANGER

**Do not check the batteries by sparking.
The batteries give off flammable fumes. Put out all fires and hot embers before
checking or topping up the battery level.**

Perform the operations described below in a ventilated area.

To avoid permanent damage to the batteries, do not run them down completely.
Remember that when the corresponding red LED (fig. 5, ref. 1) flashes on the control
panel, you must charge the batteries.

8.1. Charging procedure

- connect the battery charger connector to the battery wiring connector (fig. 4, ref. 1);

👉 IMPORTANT

**Depending on battery type you choose to install, make sure to program the
supplied battery charger to the proper battery setting.**

- Charge the batteries as described in the battery charger manual;
- at the end of charging, disconnect the connectors;
- reconnect the battery wiring connector to the machine connector.

8.2. On Board Charger Setting Instructions

INFORMATION

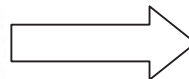
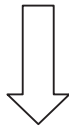
**When machines are shipped with batteries installed, the charger and machine
battery settings are factory-set. The machine is ready for operation.**

👉 IMPORTANT

**IMPORTANT: For machines shipped without batteries, the machine and battery
charger are factory set for wet lead-acid batteries as the default. If a different
type of battery is going to be installed, the charger setting **MUST** be changed as
described below. Failure to follow these instructions could result in damage to
the battery. Depending on the type of battery selected (wet lead-acid or
AGM/Gel), the machine battery setting **MUST** be changed accordingly. For
information on how to make the battery selection, see the hang tag on the
machine or refer to section *5.5 Power supply batteries (battery models)* .**

Setting	Battery Description
0	WUla Generic Acid (DEFAULT)
1	WUJO GEL/AGM Generic
2	WUla GEL "Exide Sonnenschien"
3	WUla AGM "Discover"
4	WUla Generic Acid TCL
5	WUJO GEL/AGM Generic TCL
6	WUla GEL "Exide Sonnenschien" TCL
7	Do not use

ROTARY SWITCH LOCATION LIFT UP THE CAP



9. MAINTENANCE INSTRUCTIONS

! DANGER

Never perform any maintenance operations without first disconnecting the batteries.

Maintenance of the electrical circuit and all other operations not expressly required by this manual must be performed by specialised personnel only, in compliance with current safety legislation and as described in the maintenance manual.

9.1. Maintenance - General rules

Performing regular maintenance according to the Manufacturer's instructions improves performance and extends the working life of the machine.

When cleaning the machine, observe the following precautions.

- avoid the use of high pressure washers. Water could penetrate the electrical compartment or motors leading to damage or the risk of short circuit;
- do not use steam to avoid the heat warping plastic parts;
- do not use hydrocarbons or solvents as they could damage the cowling and rubber parts.

9.2. Routine maintenance

9.2.1 Suction motor air filter and float switch: cleaning

- Unscrew and remove the tank cap (fig. 9, ref. 1) from the dirty water drum (fig. 9, ref. 4);
- make sure the dirty water drum (fig. 9, ref. 4) is empty;
- clean the float switch (fig. 9, ref. 5) at the back of the dirty water drum, taking care not to direct the water jet directly against the float switch;
- remove the suction motor air filter (fig. 9, ref. 2) from the float switch support (fig. 9 ref. 3) inside the dirty water drum at the top;
- clean the filter with running water or the detergent solution used on the machine;
- dry the filter thoroughly before replacing it in the support. Make sure the filter is correctly located in its housing;
- screw the cap back on the dirty water drum.

9.2.2 Basket filter: cleaning

- Remove the basket filter from the water fill hole at the front of the machine;
- clean the filter with running water or the detergent solution used on the machine;
- replace the filter back in its housing, making sure it is correctly positioned.

9.2.3 Detergent filter: cleaning

- unscrew the cover located below the bottom tank (fig. 10, ref. 1);
- remove the detergent filter (fig. 10, ref. 2);
- clean the filter with running water or the detergent solution used on the machine;
- replace the filter in its housing, making sure it is correctly positioned and retighten the screw.

9.2.4 Squeegee blades: replacing

The squeegee blades collect the film of water and detergent from the floor and prepare the way for perfect drying. With time, the constant rubbing makes the edge of the blade in contact with the floor rounded and cracked, reducing the drying efficiency and requiring it to be replaced.

Turning or replacing the blades:

- lower the squeegee by means of the corresponding lever (fig. 5, ref. 8);

- remove the squeegee (fig. 2 ref. 6) from its mount (fig. 6 ref. 2) by completely unscrewing the two knobs (fig. 6 ref. 3)
- remove the suction hose sleeve (fig. 6, ref. 4) from the squeegee;
- Open the catch (fig. 11, ref. 1).
- Remove the two blade retainers (fig. 11, ref. 2) by pushing them outwards then extracting them.
- Remove the blade.
- Reuse the same blade by reversing the edge in contact with the floor until all four edges are worn out, or replace with a new blade, fitting it onto the screws on the body of the squeegee.
- Reposition the two blade pressing devices by centering the wider part of the slots on the squeegee body fastening pins, then push the blade pressing devices inwards.
- Close the hook again.
- Replace the squeegee on its support, following the instructions described previously.

9.2.5 Fuses: replacement (battery models)

The fuses protecting the brush and suction motors are located in the fuse holder (fig. 12, ref. 1) attached to the dirty water drum above the machine battery compartment.

To replace the fuses:

- make sure the dirty water drum is empty and empty if necessary;
- raise the dirty water drum;
- raise the fuse holder cover and remove the fuse by unscrewing the fixing screws;
- fit a new fuse and close the fuse holder cover.
- lower the dirty water drum.

Fuse table: For the complete fuse table, see the spare parts catalogue.

IMPORTANT

Never use a fuse with a higher amperage than specified.

If a fuse continues to blow, the fault in the wiring, boards (if present) or motors must be identified and repaired. Have the machine checked by qualified personnel.

9.3. Routine maintenance

9.3.1. Daily operations

After each day's work, proceed as follows:

- disconnect the machine from the power supply;
- empty the dirty water tank and clean if necessary;
- clean the squeegee blades and check for wear. If necessary, replace.
- check that the suction hole in the squeegee is not blocked. If necessary remove encrusted dirt;
- recharge the batteries according to the procedure described.

9.3.2. Weekly operations

- Clean the dirty water drum float switch and make sure it is working correctly;
- clean the suction air filter and make sure it is undamaged. If necessary, replace.
- clean the detergent filter at the front opening of the detergent tank (fig. 2, ref. 7) and check that it is not damaged (replace if necessary);
- clean the suction hose;
- clean the dirty water tank and detergent tank;
- check the level of battery electrolyte and top up with distilled water if necessary.

9.3.3. Six monthly operations

Have the electrical circuit checked by qualified personnel.

9.4. Maintenance

The table below indicates the Person Responsible for each procedure.

O = Operator

T = Trained Personnel.

Interval	Person Resp.	Key	Description	Procedure	Lubricant/Fluid
Daily	O	1	Pad(s)	Check, flip or replace	
	O	1	Brush(es)	Check, clean	
	O	6	Squeegee	Clean, check for damage and wear	
	O	8	Scrub head skirt	Check for damage and wear	
	O	2	Recovery tank	Drain, rinse, clean float shut-off screen and debris tray	
	O	3	Solution tank	Drain, rinse	
	O	4	Severe Environment tank (option)	Check, refill	CAD
	O	5	Automatic battery watering tank (option)	Check, refill	DW
	O	7	Batteries	Charge if necessary	
Weekly	O	7	Battery cells	Check electrolyte level	DW
	O	7	Battery compartment	Check for liquid	
	O	6	Squeegee assembly drip trap reservoir (dual disk model)	Check. Clean	
50 Hours	O	2	Recovery tank lid seal	Check for wear	
	O	9	Solution tank filter	Remove and clean	
100 Hours	O	7	Battery watering system (option)	Check hoses for damage and wear	
200 Hours	O	7	Batteries, terminals and cables	Check and clean	
	T	13	Steering chain	Lubricate, check tension, and check for damage and wear	GL
	T	14	Steering cable	Check tension, Check for damage and wear	
750 Hours	T	10	Vacuum motor	Replace carbon brushes	
1250 Hours	T	11	Propel motor	Replace carbon brushes	
	T	12	Brush motor(s)	Replace carbon brushes	

LUBRICANT/FLUID

DW Distilled water

CAD Commercial approved detergent

GL SAE 90 weight gear lubricant

10. TROUBLESHOOTING

10.1. How to resolve possible problems

[B]= battery machines

[C]= cable machines

[BT]= battery machines with electric drive

Possible problems affecting the whole machine.

PROBLEM	CAUSE	REMEDY
The machine does not work	• [B]= battery connector disconnected	• [B]= connect the batteries to the machine
	• [B]= the batteries are flat	• [B]= recharge the batteries
The brushes do not turn	• [B], [BT]= you have not used the brush switch	• press the brush switch
	• you have not pressed the brush lever	• press the brush lever
	• [B]= the motor thermal cutout has tripped; the motor is overheated	• [B]= release the brush lever; leave the machine to cool down for at least 45'
	• [B], [BT]= the power supply or motor thermal cutout connectors are disconnected	• [B], [BT]= reconnect the power supply or motor thermal cutout connectors
	• [B] [BT]= the brush motor fuse has blown	• [B] [BT]= have someone check and eliminate the causes responsible for the blown fuse, then replace
	• [B] [BT]= the batteries are flat	• [B] [BT]= recharge the batteries
	• the reduction unit is faulty	• have the reduction unit replaced
	• the motor is faulty	• have the motor replaced
The machine does not clean evenly	• the brush or disks are worn	• replace

No detergent is delivered	• the detergent tank is empty	• fill it
	• the hose delivering the detergent to the brush is blocked	• unblock and open the circuit
	• the solenoid valve is dirty or faulty	• clean or replace the solenoid valve
Detergent flow does not stop	• the solenoid valve is dirty or faulty	• clean or replace the solenoid valve
The suction motor does not start	• there is no power to the suction motor or the motor is faulty	• check that the motor power connector is correctly connected to the main wiring; if it is correctly connected, have the motor replaced
	• [B] [BT]= the fuse has blown	• [B] [BT]= replace the fuse
The squeegee does not clean or suction is ineffective	• the edge of the rubber blades in contact with the floor is worn	• replace the rubber blade
	• the squeegee or hose is blocked or damaged	• unblock and repair the damage
	• the float switch has tripped (dirty water drum), is clogged by dirt or broken	• empty the dirty water drum or reset the float switch
	• the suction hose is blocked	• unblock the hose
	• the suction hose is not connected to the squeegee or is damaged	• connect or repair the hose
	• there is no power to the suction motor or the motor is faulty	• check that the motor power connector is correctly connected to the main wiring and that the fuse is not blown; in the second case have the motor replaced
The machine does not move	• there is no power to the brush/drive motor or it is faulty	• in the first case, press the brush button and push down the brush/drive lever; in the second case, check that the brush motor is correctly connected to the main wiring; in the third case, have the motor replaced.
	• the reduction unit is broken (therefore the brush does not turn)	• have the reduction unit replaced
	• the brush motor thermal cutout has tripped; the motor has overheated	• stop the machine, turn it off and leave it to cool for at least 45'
	• [B] [BT]= the batteries are flat and the brushes have shut down	• [B] [BT]= recharge the batteries
The machine tends to pull to one side	• the direction adjustment knob must be adjusted appropriately for the floor	• regulate the direction of movement by adjusting the direction adjustment knob

The batteries do not provide the normal working time	• the battery poles and charging terminals are dirty and oxidised	• clean and grease the poles and terminals, recharge the batteries
	• the electrolyte level is low	• top up all the elements with distilled water as described in the instructions
	• the battery charger does not work or is unsuitable	• see battery charger instructions
	• there are considerable differences in density between the various elements of the battery	• replace the damaged battery
	• you are using the machine with excessive pressure on the brushes	• reduce pressure on the brush
	• there are considerable differences in density between the various elements of the battery	• replace the damaged battery

The battery discharges too fast during use, even though it has been charged correctly and when tested with a hydrometer at the end of recharging, it turned out to be uniformly charged	• the battery is new and does not deliver 100% of its expected capacity	• the battery must be "run-in" by performing 20-30 charges and discharges to obtain maximum performance
	• the machine is being used at maximum capacity for continuous periods and the working time is not sufficient	• if possible, use batteries with a higher capacity or replace the batteries with others charged previously
	• the electrolyte has evaporated and does not cover the plates completely	• top up all elements with distilled water until the plates are covered then recharge the battery

The battery discharges too fast during use, recharging with an electronic battery charger is too fast and after recharging the battery supplies the right voltage (about 2.14V for each element without load), but when tested with a hydrometer is found not to be uniformly charged	• the battery supplied filled with acid by the Manufacturer has been stored for too long before being recharged and used for the first time	• if recharging with a normal battery charger is not effective, you must use a double recharging cycle: - charge slowly over a 10 hour period at a current of 1/10 the nominal capacity for 5 hours (e.g. for a 100Ah(5) battery the current must be set at 10A, using a manual battery charger); - rest for one hour; - charge with the normal battery charger.
--	---	---

At the end of charging with the electronic battery charger, the battery does not provide the correct voltage (about 2.14 V per element without load) and appears to be uniformly not charged when tested with a hydrometer	• the battery has not been connected to the battery charger (for example, because the low voltage connector of the battery charger has been erroneously connected to the machine connector)	• connect the battery charger to the battery connector
	• the battery charger and power socket to which the battery is connected are not compatible	• check that the power supply characteristics indicated on the battery charger rating plate comply with those of the mains power supply

	<ul style="list-style-type: none"> the battery charger has not been installed correctly 	<ul style="list-style-type: none"> taking the actual voltage available at the socket into account, make sure that the connections of the primary of the transformer inside the battery charger are correct (consult the battery charger manual)
	<ul style="list-style-type: none"> the battery charger is not working 	<ul style="list-style-type: none"> make sure there is voltage to the battery charger, that the fuses are not blown and that the current reaches the battery; try charging with another rectifier. If the battery charger is not working, contact the technical service centre and indicate the serial number of the battery charger

<p>At the end of charging with the electronic battery charger, the battery does not provide the correct voltage (about 2.14 V per element without load) and only one or a few elements are found to be discharged when tested with a hydrometer</p>	<ul style="list-style-type: none"> one or more elements are damaged 	<ul style="list-style-type: none"> replace the damaged elements if possible. For 6 or 12 V single block batteries, replace the entire battery
--	--	--

<p>The electrolyte in the battery is turbid</p>	<ul style="list-style-type: none"> The battery has reached the end of the charging/discharging cycles declared by the manufacturer 	<ul style="list-style-type: none"> replace the battery
	<ul style="list-style-type: none"> the battery has been recharged with too high a current 	<ul style="list-style-type: none"> replace the battery
	<ul style="list-style-type: none"> the battery has been charged beyond the limit suggested by the Manufacturer 	<ul style="list-style-type: none"> replace the battery

<p>The water/detergent drain hose does not show the level of the solution in the tank during the filling operation.</p>	<ul style="list-style-type: none"> Tap on water/detergent drain hose closed 	<ul style="list-style-type: none"> Remove the cap and open the tap
	<ul style="list-style-type: none"> Cap on water/detergent drain hose not unscrewed 	<ul style="list-style-type: none"> Remove the cap and open the tap

11. DISPLAY ALARMS

ACC / MAN [Acc / NAn]: ACCelerator / MAN

The traction lever has been pulled while machine switching ON by the key. Release the traction lever to enable the traction.

POT : POTentiometer

The traction potentiometer on PCB is broken or badly connected with the circuit board.

Release and push the traction lever: If the error is still on the display, check the potentiometer or replace the circuit board.

Lim [Lin]: Limitation

The traction MOSFET reached the max current limitation . The traction is blocked, It can appears if machine climbs long ramp and traction board overload . Switch off and wait 15 minutes to cool down the card. If

problem persists check the current consumption of the traction motor and check if any mechanical blockage on it .

Hom [Hon] : MOSFET thermal sensor

It appears when the thermal sensor inside the traction MOSFET is being activated. Wait 15 min until the card cool down and try again.

If it not disappear is necessary to replace the circuit board.

Hot : Overheating

Traction motor internal temperature sensor is engaged. Wait 30 minutes till the temperature decrease and try again , or check the wiring between motor and card . If unsolved replace the sensor, it is located beside the carbon brushes.

MoS [noS]: MOSFET

- The coil of the main contactor is open or in short circuit and the brush or traction function are activated,
- The traction MOSFET is broken or in short circuit : the traction is blocked.
- The vacuum motor's relay has the coil in short circuit , replace it .
- Check the coil of the black traction motor relay positioned underneath the chassis.
- If the problem is still unsolved replace the traction card or the main contactor..

MoF [NoF]: Mosfet

The traction MOSFET is broken internally ; the traction is blocked , brush and vacuum still works.

Replace the traction board.

bLt : drive blocked

The battery voltage is too low: the traction and all other functions are blocked . Charge the batteries, replace them if necessary.

AcS : Brush command problem

The brush motor's contactor is not engaged properly:

Push the brush switch and if the error is still on the display, check the connection between panel board and brush contactor. If the connections are ok, replace the contactor located on PCB underneath the recovery tank.

AcA : Vacuum motor command problem

The vacuum relay is not properly activated by the panel board,

Push the vacuum function switch and if the error is still on the display, check the relay connections. If the connections are ok, replace the vacuum motor relay located on PCB underneath the recovery tank.

ACH : Solution solenoid valve problem

It appear is the fuse of solenoid valve is blown , or if the coil of the valve is interrupted internally or the wiring between PCB and solenoid valve is interrupted . Check and replace parts if necessary.

FuP : Fuse

- The coil of the main contactor does not close properly and the other functions are activated.
- Internal problem on the display card , or incorrect contact between display card and Battery negative cable.

CLH : Clock

Internal problem in the display card main memory . Replace the display board

err : Error

It appears when there is a general malfunctioning error in the electronic board . Replace the display board .

12. T290 - RECOMMENDED SPARE PARTS

Part Number	Description
9017703	BRUSH ASSY, DISK, SCB, 50CM, PYP
9017704	BRUSH ASSY, DISK, SCB, 50CM, PYP, SOFT
9017710	DRIVER ASSY, PAD, 50CM [STANDARD]
1243338	PAD, POLISH, 20.0D, WHITE [QTY 5]
1243339	PAD, BUFF, 20.0D, RED [QTY 5]
1243340	PAD, SCRUB, 20.0D, BLUE [QTY 5]
1243566	PAD, STRIP, 20.0D, BROWN [QTY 5]
1243661	PAD, STRIP, 20.0D, BLACK, HI PROD [QTY 5]
1243670	PAD, SURF PREP, 20.0D MAROON [QTY 5]
1240393	PAD, POLISH, 20.0D, YELLOW [QTY 5]
9017695	BLADE, SQGE, FRONT, 880L, LATEX [OPTION]
9017694	BLADE, SQGE, REAR, 900L, LATEX [OPTION]
9017696	BLADE, SQGE, FRONT, 880L, PYU [OPTION]
9017698	BLADE, SQGE, REAR, 900L, PYU [OPTION]
9017699	BLADE, SQGE, FRONT, 880L, LINATEX [STANDARD]
9017702	BLADE, SQGE, REAR, 900L, LINATEX [STANDARD]
9017713	FILTER, VACUUM
9017711	SEAL, COVER, RECVY TANK
9017712	HOSE ASSY, RECOVERY
9017686	BRUSH KIT, CARBON, BRUSH MOTOR [4 PC]
9017687	BRUSH, CARBON, VAC FAN MOTOR
9018034	BRUSH, CARBON, TRANSAXLE MOTOR
9017715	CABLE, LIFT, SQGE
TBFX01299	HOSE ASSY, DRAIN
9017718	VALVE, WATER, SOLENOID, 24VDC
9017788	CASTER, SWIVEL
CUVR00294	BEARING, SUPPORT [PROPEL MODEL]
CUVR00293	BEARING , FLANGE [PROPEL MODEL]
9017719	BEARING, AXLE
9018584	FILTER, WATER, SOLNT, COMPL
9017725	MOTOR, BRUSH, 24VDC
9017716	FAN, VACUUM
897285	MOTOR, TRACTION, 24V 145W
130869	BATTERY, WET, 12V 130AH
1053408	BATTERY, AGM, 12VDC 140AH [OPTION]
1015046	BATTERY, WET, 12VDC 150AH [OPTION]
9017726	CIRCUITBOARD, MAIN
9017798	CIRCUITBOARD, DISPLAY [PROPEL MODEL]
897186	CIRCUITBOARD, DISPLAY [PAD ASST MODEL]
MEVR01428	FUSE 2A, MAIN CIRCUIT BOARD
9018332	FUSE 50A, MAIN CIRCUIT BOARD
9018333	FUSE 40A, MAIN CIRCUIT BOARD
897301	FUSE 30A, MAIN CIRCUIT BOARD [PROPEL MODEL]
9017722	GUARD, SPLASH (OPTION)
9017737	FLOAT, SHUTOFF

13. T390 - RECOMMENDED SPARE PARTS

Part Number	Description
9017816	BRUSH ASSY, DISK, SCB, 35CM, 3-LUG, PYP
9017730	BRUSH ASSY, DISK, SCB, 35CM, 3-LUG, PYP, SOFT
9017820	DRIVER ASSY, PAD, 35CM, 3-LUG [STANDARD]
1243656	PAD, BUFF, 14.0D, RED [QTY 5]
1243344	PAD, SCRUB, 14.0D, BLUE [QTY 5]
1243657	PAD, STRIP, 14.0D, BROWN [QTY 5]
1243658	PAD, STRIP, 14.0D, BLACK, HI PROD [QTY 5]
1243667	PAD, SURF PREP, 14.0D MAROON [QTY 5]

1243343	PAD, POLISH, 14.0D, WHITE [QTY 5]
1240389	PAD, POLISH, 14.0D, YELLOW [QTY 5]
9017801	BLADE, SQGE, FRONT, 1020L, LATEX [OPTION]
9017804	BLADE, SQGE, REAR, 1020L, LATEX [OPTION]
9017806	BLADE, SQGE, FRONT, 1020L, PYU [OPTION]
9017811	BLADE, SQGE, REAR, 1020L, PYU [OPTION]
9017813	BLADE, SQGE, FRONT, 1020L, LINATEX [STANDARD]
9017814	BLADE, SQGE, REAR, 1020L, LINATEX [STANDARD]
9017713	FILTER, VACUUM
9017711	SEAL, COVER, RECOVERY TANK
9017712	HOSE ASSY, RECOVERY
9017686	BRUSH KIT, CARBON, BRUSH MOTOR [4 PC]
9017687	BRUSH, CARBON, VAC FAN MOTOR
9018034	BRUSH, CARBON, TRANSAXLE MOTOR
9017715	CABLE, LIFT, SQGE
TBFX01299	HOSE ASSY, DRAIN
9017718	VALVE, WATER, SOLENOID, 24VDC
9017788	CASTER, SWIVEL
9017745	BEARING, WHEEL
9018584	FILTER, WATER, SOLUTION, COMPLETE
9017792	MOTOR, BRUSH, 24VDC
9017716	FAN, MOTOR
897349	MOTOR TRACTION 24V 200W 150G
1053408	BATTERY, AGM, 12VDC 140AH
1015046	BATTERY, WET, 12VDC 150AH
9017726	CIRCUITBOARD, MAIN
897289	BOARD
MEVR01428	FUSE 2A
9018332	FUSE 50A
9018333	FUSE 40A
897301	FUSE 30A [PROPEL MODEL]
9017722	GUARD, SPLASH [OPTION]
9017737	FLOAT, SHUTOFF

ESPAÑOL

*(Traducciones de las Instrucciones
originales)*

1. ÍNDICE

1. ÍNDICE	2
2. INFORMACIONES GENERALES	3
2.1. OBJETO DEL MANUAL	3
2.2. IDENTIFICACIÓN DE LA MÁQUINA	4
2.3. DOCUMENTACIÓN ADJUNTA A LA MÁQUINA	4
3. INFORMACIÓN TÉCNICA	4
3.1. DESCRIPCIÓN GENERAL	4
3.2. LEYENDA	4
3.3. ZONAS DE PELIGRO	5
3.4. ACCESORIOS	5
4. INFORMACIONES SOBRE LA SEGURIDAD	5
4.1. NORMAS DE SEGURIDAD	5
5. MANIPULACIÓN E INSTALACIÓN	9
5.1. LEVANTAMIENTO Y TRANSPORTE DE LA MÁQUINA EMBALADA	9
5.2. CONTROLES QUE SE DEBEN REALIZAR EN EL MOMENTO DE LA ENTREGA	9
5.3. DESEMBALAJE	9
5.4. CONEXIÓN ELÉCTRICA Y PUESTA A TIERRA (MODELOS CON CABLE)	10
5.5. BATERÍAS DE ALIMENTACIÓN (MODELOS CON BATERÍA).....	10
5.6. EL CARGADOR DE BATERÍAS (MODELO CON BATERÍA)	12
5.7. LEVANTAMIENTO Y TRANSPORTE DE LA MÁQUINA	13
6. GUÍA PRÁCTICA PARA EL OPERADOR	13
6.1. MANDOS - DESCRIPCIÓN.....	13
6.2. MONTAJE Y REGULACIÓN DEL SECADOR DE SUELOS	14
6.3. DESPLAZAMIENTO DE LA MÁQUINA CUANDO NO TRABAJA	15
6.4. MONTAJE Y CAMBIO DE LOS CEPILLOS / DISCOS DE ARRASTRE.....	15
6.5. DETERGENTES – INDICACIONES DE USO	16
6.6. LLENADO DEL DEPÓSITO DE AGUA/DETERGENTE	16
6.7. PREPARACIÓN DE LA MÁQUINA PARA EL TRABAJO.....	16
6.8. TRABAJO.....	17
6.9. ALGUNOS CONSEJOS ÚTILES PARA UTILIZAR PERFECTAMENTE EL SECADOR DE SUELOS	18
6.10. DESAGÜE DEL AGUA SUCIA	18
6.11. DESCARGA DEL AGUA LIMPIA	19
7. PERÍODOS DE INACTIVIDAD	19
8. MANTENIMIENTO Y RECARGA DE LAS BATERÍAS	19
8.1. PROCEDIMIENTO PARA LA RECARGA	20
8.2. CONFIGURACIÓN DEL CARGADOR DE BATERÍA A BORDO	20
9. INSTRUCCIONES PARA EL MANTENIMIENTO	22
9.1. MANTENIMIENTO – REGLAS GENERALES	22
9.2. MANTENIMIENTO ORDINARIO	22
9.3. MANTENIMIENTO PERIÓDICO	23
9.4. MANTENIMIENTO.....	25
10. INCONVENIENTES, CAUSAS Y REMEDIOS	26
10.1. RESOLUCIÓN DE LOS POSIBLES INCONVENIENTES	26
11. ALARMAS EN LA PANTALLA	30
12. T290 – PIEZAS DE REPUESTO RECOMENDADAS	32
13. T390 – PIEZAS DE REPUESTO RECOMENDADAS	33

2. INFORMACIONES GENERALES



Consulte detenidamente este manual antes de llevar a cabo cualquier operación de mantenimiento en la máquina¹.

2.1. Objeto del manual

Este manual ha sido redactado por el Fabricante y forma parte integrante de la máquina. En él se describe el uso previsto de la máquina y contiene todas las informaciones necesarias para los usuarios².

Además de este manual, que contiene las informaciones necesarias para los usuarios, se han redactado otras publicaciones que reúnen las informaciones específicas para los técnicos encargados del mantenimiento³.

El respeto constante de las indicaciones garantiza la seguridad de las personas y de la máquina, un uso económico, la calidad de los resultados y una mayor duración del funcionamiento de la misma máquina. El incumplimiento de las prescripciones podría provocar daños al hombre, a la máquina, al suelo lavado y al medio ambiente.

Para localizar rápidamente los argumentos, consulte el índice descriptivo que se encuentra en el comienzo del manual.

Los párrafos que revisten una importancia particular están destacados en negrita y anteceditos por los símbolos que se ilustran y definen a continuación.

! PELIGRO

Indica que es necesario tener cuidado para no incurrir en consecuencias serias que podrían provocar la muerte del personal o posibles daños a la salud.

☞ ATENCIÓN

Indica que es necesario tener cuidado para no incurrir en consecuencias serias que podrían causar daños a la máquina, al entorno en que se trabaja o pérdidas económicas.

INFORMACIÓN

Indicaciones de importancia particular.

El Fabricante, en su afán de mantener una política de desarrollo y actualización constante del producto, puede modificarlo sin ningún aviso previo.

Si bien la máquina en su poder se diferencia sensiblemente de las ilustraciones contenidas en este documento, se garantizan, igualmente, la seguridad y la información sobre la misma.

¹ La definición "máquina" sustituye la denominación comercial a la que se refiere el presente manual.

² Son las personas que tienen la tarea de usar la máquina sin llevar a cabo operaciones técnicas que requieran una competencia precisa.

³ Son las personas con experiencia, preparación técnica, conocimiento de las normas y leyes, capacitadas para desarrollar las actividades necesarias y capaces de reconocer y evitar posibles peligros durante el desplazamiento, instalación, utilización y mantenimiento de la máquina.

2.2. Identificación de la máquina

La placa de características (fig. 1) contiene las siguientes informaciones:

- código del modelo;
- modelo;
- tensión de alimentación;
- potencia nominal total;
- número de serie (número de matrícula);
- año de fabricación;
- peso en seco;
- pendiente máxima;
- código de barras con número de matrícula;
- identificación del Fabricante.

2.3. Documentación adjunta a la máquina

- Manual de uso;
- certificado de garantía;
- Manual del cargador de batería.

3. INFORMACIÓN TÉCNICA

3.1. Descripción general

La máquina en cuestión es una fregadora-secadora de suelos, que se utiliza en entornos civiles e industriales para barrer, lavar y secar los suelos planos, horizontales, lisos o moderadamente irregulares, uniformes y sin obstáculos. Se encuentra disponible con alimentación por batería o con cable para satisfacer cualquier necesidad de autonomía y de peso.

La máquina distribuye sobre el suelo una solución dosificada de agua y detergente y lo cepilla adecuadamente a fin de remover la suciedad. Escogiendo con atención el detergente para limpiar y los cepillos (o discos abrasivos o rodillos) entre la dilatada gama de accesorios disponibles, la máquina puede adaptarse para diferentes combinaciones de tipos de suelo y de suciedad.

Un sistema de aspiración de líquidos, integrado en la máquina, permite secar el suelo recién lavado. El secado se produce a través del vacío generado por el motor de aspiración en el depósito de agua sucia. El secador de suelos, conectado al mismo depósito, facilita la recogida del agua sucia.

El sistema de avance de la máquina puede ser:

MODELO B tracción mecánica: la fregadora-secadora incorpora un dispositivo especial de tracción mecánica que utiliza la fricción que se produce entre el cepillo y el suelo para empujarla hacia adelante (para más detalles ver par. 6.7).

MODELO BT tracción eléctrica: la fregadora-secadora incorpora un dispositivo especial electromecánico que permite el avance de la máquina.

3.2. Leyenda

Los componentes principales de la máquina son los siguientes (fig. 2):

- el depósito de la solución detergente (fig. 2, ref. 7): sirve para contener y transportar la mezcla de agua limpia y del producto para limpiar;
- el depósito de agua sucia (fig. 2, ref. 2): sirve para recoger el agua sucia aspirada del suelo durante el lavado;
- panel de control (fig. 2, ref. 1);
- grupo cabezal (fig. 2, ref. 4): el elemento principal está representado por las cepillos/rodillos (fig. 2, ref. 5), que distribuyen la solución detergente sobre el suelo, eliminando la suciedad;

- grupo squeegee (también denominado secador de suelos fig. 2, ref. 6): sirve para limpiar y secar el suelo, recuperando el agua derramada sobre el mismo;
- pedal elevador del cabezal (fig. 2, ref. 3): permite levantar el cabezal de los cepillos durante el transporte.

3.3. Zonas de peligro

A -**Grupo depósito**: utilizando detergentes particulares, peligro de irritación de los ojos, piel, mucosas, aparato respiratorio y de asfixia. Peligro debido a la suciedad recogida en el lugar (gérmenes y sustancias químicas). Peligro de aplastamiento entre dos depósitos cuando se coloca el depósito de agua sucia sobre el depósito de la solución.

B -**Panel de control**: peligro de cortocircuitos.

C -**Parte inferior del cabezal de fregado**: peligro para la rotación de los cepillos.

D -**Ruedas traseras**: peligro de aplastamiento entre la rueda y el chasis.

E -**Compartimiento baterías** (hecho en el depósito de la solución): peligro de cortocircuitos entre los polos de las baterías y presencia de hidrógeno durante la carga.

3.4. Accesorios

- **Cepillos de fibra de palma**: se utilizan para lavar los suelos delicados y para el lustrado;
- **Cepillos de polipropileno**: se utilizan para el lavado normal de los suelos;
- **Discos de arrastre**: permiten utilizar los discos descritos a continuación:
 - * discos amarillos: se utilizan para lavar y abrillantar mármoles y similares;
 - * discos verdes: se utilizan para lavar suelos no delicados;
 - * discos negros: se utilizan para lavar a fondo suelos no

delicados, con suciedad tenaz.

- **Cargador de baterías S.P.E. CBHD1 / CBHD1-XR-P**

4. INFORMACIONES SOBRE LA SEGURIDAD

4.1. Normas de seguridad



Lea detenidamente el Manual de Instrucciones para el uso antes de llevar a cabo cualquier operación de puesta en marcha, uso, mantenimiento ordinario o cualquier otro trabajo en la máquina.

ATENCIÓN

Respete estrictamente todas las disposiciones contenidas en este Manual (en particular las que se refieren al “PELIGRO” y a la “ATENCIÓN”) y las placas de seguridad aplicadas directamente en la máquina.

El Fabricante declina toda responsabilidad por daños a personas o bienes como consecuencia de la inobservancia de dichas disposiciones.

La máquina deberá ser utilizada sólo por personal que haya sido instruido para su empleo, demostrando su propia capacidad, y que haya sido encargado expresamente para su uso.

Queda prohibido utilizar la máquina a los menores de edad.

No destine esta máquina para otros usos que no sean aquellos previstos. Tenga en cuenta el tipo de edificio donde trabaje (ej.: industrias farmacéuticas, hospitales, industrias químicas, etc.) y respete las normas y condiciones de seguridad allí vigentes.

Esta máquina está destinada a un uso comercial, por ejemplo en hoteles, colegios, hospitales, fábricas, tiendas, oficinas y actividades de alquiler.

No utilice la máquina en lugares que no estén adecuadamente iluminados, en atmósferas explosivas, en la vía pública, en presencia de suciedad nociva para la salud (polvos, gas etc.) y en entornos que no sean idóneos.

La máquina está destinada solo para uso en interiores.

El rango de temperatura previsto para utilizar la máquina varía entre +4°C y +35°C (39.2°F and 95°F). Cuando la máquina no se utiliza, el rango de temperatura oscila entre +0°C y +50°C (32°F and 122°F).

El rango de humedad previsto para la máquina en cualquier condición en que se encuentre es entre 0% y 95%.

Atención, la máquina debe guardarse en lugares cerrados.

No utilice ni aspire nunca líquidos inflamables o explosivos (por ej. gasolina, aceite combustible, etc.), gases inflamables, polvos secos, ácidos o disolventes (por ej. diluyentes para barnices, acetona, etc.) aunque estén diluidos. No aspire nunca objetos en llamas o incandescentes.

No utilice la máquina sobre declives o rampas superiores al 2% y en caso de pendientes leves no utilice la máquina de sentido transversal, condúzcala siempre con cuidado y no haga inversiones de marcha. En el transporte sobre rampas o declives más marcados tenga mucho cuidado para evitar vuelcos y/o aceleraciones incontroladas. Mantenga el cabezal de fregado y el secador de suelos levantados para subir rampas y/o peldaños.

No aparque nunca la máquina en pendientes.

La máquina no debe dejarse nunca con los motores encendidos y sin vigilancia: podrá dejarla sola únicamente después de haber apagado los motores, impedido cualquier movimiento accidental y desconectado la alimentación eléctrica.

Durante el uso tengo cuidado con las personas, en particular con los niños presentes en el lugar de trabajo.

Es necesario vigilar los niños para que no jueguen con el equipo.

La máquina no está destinada para ser utilizada por personas (incluidos los niños) cuyas capacidades físicas, sensoriales o mentales no sean adecuadas, o que no posean experiencia ni conocimientos, salvo que éstas sean controladas o hayan sido preparadas para el uso de la máquina por una persona responsable de su seguridad.

No utilice la máquina para transportar personas u objetos, ni para remolcar objetos. No remolque la máquina.

No utilice la máquina como banco de apoyo para ningún peso por ningún motivo.

No obstruya las aberturas de ventilación y de eliminación del calor.

No quite, ni modifique, ni desactive los dispositivos de seguridad.

Hay experiencias, numerosas y desagradables, que han demostrado que las personas pueden llevar puestos diferentes objetos capaces de provocar accidentes graves: antes de empezar a trabajar quítese cadenas, relojes, corbatas u otros.

Utilice siempre los equipos individuales de seguridad: mandil o mono de protección, zapatos antideslizantes e impermeables, guantes de goma, gafas protectoras y auriculares, mascarilla para la protección de las vías respiratorias.

No introduzca las manos entre los componentes móviles.

No utilice detergentes diferentes de los indicados y respete las prescripciones de las fichas de seguridad respectivas. Se recomienda conservar los detergentes en un lugar lejos del alcance de los niños; en caso de contacto con los ojos, lávese de inmediato y abundantemente con agua; en caso de ingestión, acuda con urgencia a un médico.

Controle que las tomas de corriente para la alimentación de los modelos con cable o de los cargadores de baterías estén conectadas a una descarga a tierra adecuada y protegidas por interruptores magnetotérmicos y diferenciales.

Controle que las características eléctricas de la máquina (tensión, frecuencia y potencia absorbida) indicadas en la placa de características (fig. 1), sean conformes a las de la instalación eléctrica. La máquina con cable monta un cable de tres conductores y toma de tierra de tres contactos para poder utilizar una toma de corriente adecuada con puesta a tierra. El hilo amarillo-verde del cable es el hilo de tierra: conecte este hilo sólo al conector de puesta a tierra de la toma.

Es indispensable respetar las instrucciones del Fabricante de las baterías y atenerse a las disposiciones prescriptas por las normas. Mantenga las baterías limpias y secas a fin de evitar corrientes de dispersión superficial. Proteja las baterías contra las impurezas, por ejemplo del polvo metálico.

No apoye herramientas sobre las baterías: peligro de cortocircuito y explosión.

Cuidado con el uso de ácido para las baterías: atégase a las instrucciones de seguridad en materia.

Durante el uso de modelos con cable, evite su aplastamiento o tirones del cable de alimentación, procure que el cepillo giratorio no tenga contacto con el cable de alimentación.

Inspeccione el cable de alimentación periódicamente y, si estuviera averiado, no utilice la máquina, sustitúyalo por uno del mismo tipo o contacte con un centro de asistencia especializado.

Para cargar las baterías, utilice siempre (si se ha entregado) el cargador de baterías que acompaña a la máquina.

En presencia de campos magnéticos bastante elevados, evalúe los posibles efectos sobre la parte electrónica de control.

No lave nunca la máquina con chorros de agua.

Los fluidos recuperados contienen detergentes, desinfectantes, agua, material orgánico e inorgánico recogido durante el trabajo, los que deben ser eliminados según la ley en materia.

En caso de avería y/o desperfecto de la máquina, apáguela de inmediato (desconectándola de la red de alimentación eléctrica o de las baterías) y no trate de repararla por su cuenta. Diríjase a un centro de servicio técnico del Fabricante.

Las operaciones de mantenimiento deberán efectuarse en lugares iluminados y solamente después de desconectar la máquina de la alimentación eléctrica (en los modelos con cable, desconecte la clavija de la toma de corriente; en los modelos con batería desconecte la batería).

Cualquier tipo de operación en el sistema eléctrico y de mantenimiento o reparación no explícitamente descritas en este manual deberán ser llevadas a cabo sólo por personal técnico especializado y experto en el sector.

En el caso de sustituir el cable de alimentación, la clavija o los bornes, haga la reparación fijando bien las conexiones eléctricas y la cinta de bloqueo del cable que se encuentra en el interior del panel de control, a fin de garantizar la resistencia del cable. Vuelva a montar con cuidado el panel, para garantizar la protección del personal que utiliza la máquina.

Está permitido sólo el uso de accesorios y piezas de repuesto originales suministradas únicamente por el Fabricante, ya que son las únicas que garantizan el funcionamiento seguro y sin inconvenientes de la máquina. No utilice como repuestos piezas desmontadas de otras máquinas u otros kits.

Esta máquina ha sido diseñada y fabricada para alcanzar una vida útil de diez años a partir de la fecha de fabricación impresa en la placa de características (véase fig. 1). Transcurrido tal período, independientemente del hecho que la máquina se haya utilizado o no, deberá ser eliminada de acuerdo con la legislación vigente en el país de uso:

- la máquina deberá ser desconectada de la red, vaciada de los líquidos y limpiada;
- este producto es un residuo especial de tipo RAEE, y responde a los requisitos exigidos por las nuevas directivas de protección del medio ambiente (2002/96/CE RAEE). Debe ser eliminado por separado de los residuos sólidos urbanos, respetando las leyes y normas vigentes.

Residuo especial. No eliminar con los residuos sólidos urbanos.

Como alternativa, la máquina puede ser entregada al Fabricante para una revisión completa.

En el caso de que la máquina ya no se utilice, se recomienda quitar las baterías y depositarlas en un centro de recogida autorizado.

También se recomienda volver inocuas las piezas de la máquina que podrían ser peligrosas especialmente para los niños.



5. MANIPULACIÓN E INSTALACIÓN

5.1. Levantamiento y transporte de la máquina embalada

ATENCIÓN

En todas las operaciones de levantamiento asegúrese de haber fijado firmemente la máquina embalada, a fin de evitar vuelcos o caídas accidentales.

Las operaciones de carga y descarga de los camiones deben llevarse a cabo con una iluminación adecuada.

La máquina, embalada en un palet de madera por el Fabricante, deberá ser cargada con medios de manipulación apropiados (refiérase a la Norma 2006/42/CEE y sucesivas modificaciones y/o integraciones), sobre el vehículo de transporte y, una vez llegada a destino, deberá ser descargada con medios similares.

Los secadores están embalados en cajas de cartón, sin palet.

El cuerpo de la máquina embalado deberá levantarse sólo utilizando una carretilla elevadora de horquillas. Manipule con cuidado sin golpear la máquina ni volcarla.

5.2. Controles que se deben realizar en el momento de la entrega

Cuando el transportista entregue la máquina, controle con atención la integridad del embalaje y la de la máquina embalada. Si la máquina ha sufrido daños, comuníquese inmediatamente al transportista; antes de aceptar la mercancía, resérvese por escrito de presentar una solicitud de daños y perjuicios.

5.3. Desembalaje

ATENCIÓN

Durante el desembalaje de la máquina el operador deberá estar provisto de los accesorios necesarios (guantes, gafas, etc.) para limitar los riesgos de accidentes.

Desembale la máquina siguiendo estas operaciones:

- corte y elimine los flejes plásticos usando tijeras o alicates;
- quite la caja;
- quite los sobres que se encuentran en el compartimiento de las baterías (hecho en el

depósito de la solución) y controle su contenido:

- cupón de garantía;
- manual de uso y mantenimiento;
- puentes para batería con bornes (sólo modelo con batería);
- 1 conector para el cargador de baterías (solo modelo con batería);
- según el modelo, quite los estribos de metal o corte los flejes plásticos que fijan

el chasis de la máquina al palet;

- sírvase de un plano inclinado para hacer bajar la máquina del palet, empujándola

marcha atrás;

- desembale los cepillos y el secador de suelos;
- limpie exteriormente la máquina, respetando las normas de seguridad;
- una vez eliminado el material de embalaje, se pueden instalar las baterías (modelo con batería) o efectuar las conexiones eléctricas (modelo con cable): véanse los párrafos correspondientes.

En su caso, conserve los elementos del embalaje, ya que pueden utilizarse para proteger la máquina en caso de cambio de lugar o para enviarla al taller para la reparación.

En caso contrario, hay que eliminarlos según lo previsto por las leyes vigentes en materia.

5.4. Conexión eléctrica y puesta a tierra (modelos con cable)

En la placa de características (fig. 1) se indican las características eléctricas de la máquina: asegúrese que la frecuencia y la tensión correspondan a las de la red de alimentación del lugar de trabajo. Por lo que se refiere a la tensión, los modelos, cuya placa indica el valor 230 V, pueden utilizarse con tensiones que varían entre 220 y 240 V. Lo mismo vale para los modelos con tensión nominal 115 V, utilizables de 110 a 120 V. La frecuencia indicada en la placa deberá corresponder siempre a la de la red.

ATENCIÓN

Controle que la instalación eléctrica incorpore una línea de tierra adecuada y que las tomas (y los reductores que podrían utilizarse) garanticen la continuidad de los conductores de tierra.

! PELIGRO

La inobservancia de estas prescripciones puede causar daños graves a las personas y bienes y la caducidad de la garantía.

5.5. Baterías de alimentación (modelos con batería)

En esta máquina pueden instalarse dos tipos diferentes de baterías:

- **Baterías tubulares reforzadas:** estas baterías requieren el control periódico del nivel del electrolito. Cuando sea necesario, reponga el nivel solo con agua destilada hasta cubrir las placas; no se exceda con el relleno (máx. 5 mm por encima de las placas).
- **baterías de gel:** este tipo de batería no requiere mantenimiento.

Las características técnicas deberán corresponder a las indicadas en el párrafo relativo a los datos técnicos de la máquina: en efecto, el uso de baterías más pesadas podría perjudicar gravemente la maniobrabilidad de la máquina y recalentar el motor del cepillo; en cambio, las baterías de capacidad y peso inferiores, deberán ser recargadas con mayor frecuencia.

Las baterías tienen que mantenerse cargadas, secas, limpias y con las conexiones bien apretadas.

INFORMACIÓN

Siga estas instrucciones para configurar en el Software de la máquina el tipo de batería instalada:

Versión tracción mecánica (B):

- encienda la máquina con el botón (fig. 5, ref. 3), espere 5 segundos y controle que la pantalla se encienda.
- pulse simultáneamente los botones del cepillo (fig. 5, ref. 3) y el botón de aspiración (fig. 5, ref. 2) durante al menos 5 segundos; de esta manera se accede al menú de configuración del tipo de batería instalada.
- pulsando el botón de aspiración (fig. 5, ref. 2), se selecciona el tipo de batería instalada en la máquina, "ACd" para la batería con ácido (baterías blindadas tubulares) o "GEL" (baterías de GEL).
- pulsar juntos los botones (fig. 5 ref. 2) y (fig. 5 ref. 3) durante al menos 5 segundos, para guardar los cambios y salir.

Versión tracción eléctrica (BT): configure mediante el Software de la máquina el tipo de baterías instaladas, proceda respetando la siguiente secuencia:

- encienda la máquina girando la llave del botón de emergencia (fig. 5, ref. 15), espere 5 segundos, compruebe que la pantalla se encienda.

- pulse simultáneamente los botones del cepillo (fig. 5, ref. 3) y el botón de aspiración (fig. 5, ref. 2) durante al menos 5 segundos; de esta manera se accede al menú de configuración del tipo de batería instalada.
- pulsando el botón de aspiración (fig. 5, ref. 2), se selecciona el tipo de batería instalada en la máquina, "ACd" para la batería con ácido (baterías blindadas tubulares) o "GEL" (baterías de GEL).
- pulsar juntos los botones (fig. 5 ref. 2) y (fig. 5 ref. 3) durante al menos 5 segundos, para guardar los cambios y salir.

5.5.1. Baterías: preparación

! PELIGRO

Durante la instalación o cualquier tipo de mantenimiento de las baterías, el operador deberá utilizar los accesorios necesarios (guantes, gafas, mono de protección, etc.) para limitar los riesgos de accidentes, también deberá mantenerse alejado de las llamas libres, no cortocircuitar los polos de las baterías, no causar chispas ni fumar.

Las baterías se suministran por lo general cargadas con ácido y listas para su uso. Si se utilizaran baterías con carga seca, antes de montarlas en la máquina, habrá que activarlas de la siguiente manera:

- después de quitar los tapones de las baterías, rellene todos los elementos con una solución de ácido sulfúrico específico, hasta que las placas estén recubiertas completamente (efectuar por lo menos dos pasadas por cada elemento);
- deje descansar durante 4-5 horas que las burbujas de aire tengan tiempo de subir a la superficie y a las placas de absorber el electrolito;
- controle que el nivel del líquido siga cubriendo las placas y, en caso contrario, rellene con la solución de ácido sulfúrico;
- cierre los tapones;
- monte las baterías en la máquina (según el procedimiento indicado a continuación).

Ahora hay que efectuar una primera recarga antes de poner en marcha la máquina: para esta operación respete las indicaciones del párrafo correspondiente.

5.5.2. Baterías: instalación y conexión

! PELIGRO

Controle que todos los interruptores en el panel de control estén en la posición "0" (apagado).

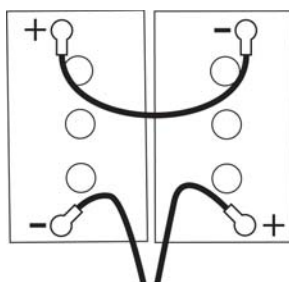
Monte en los polos positivos sólo bornes marcados con el símbolo "+". No controle la carga de las baterías produciendo chispas.

Aténgase escrupulosamente a las indicaciones dadas a continuación porque un cortocircuito en las baterías podría hacer que estas exploten.

- Controle que los dos depósitos estén vacíos (vacíelos en su caso: véase el párrafo correspondiente);
- Desenganche el depósito de agua sucia (fig. 2, ref. 2) del depósito de la solución (fig. 2, ref. 7), tirando del gancho de desbloqueo (fig. 3, ref. 1);
- Levante el depósito de agua sucia, haciéndolo girar hacia atrás unos 90°: de esta manera se accede, desde arriba, al compartimiento de las baterías (hecho en el depósito de la solución);
- Monte las baterías en el compartimiento, orientándolas según lo indicado en el dibujo aplicado en el interior del compartimiento, sobre el depósito de la solución.

👉 ATENCIÓN

Monte las baterías en la máquina utilizando equipos adecuados para su peso. Los polos positivo y negativo tienen diámetros diferentes.



- Tomando como referencia la disposición de los cables, visible en el dibujo antedicho, conecte los bornes de los cables de las baterías y del puente con bornes a los polos de las baterías.
Después de orientar los cables según lo indicado en el dibujo, apriete los bornes en los polos y recúbralos con vaselina;
- sitúe el depósito de agua sucia en la posición de trabajo y engánchelo al depósito de la solución;
- utilice la máquina de conformidad con las instrucciones descritas a continuación.

5.5.3. Baterías: desmontaje

! PELIGRO

Durante el desmontaje de las baterías, el operador debe utilizar los equipos de protección (guantes, gafas, ropa de protección, zapatos de seguridad, etc.) necesarios para limitar los riesgos de accidente; controle que todos los interruptores situados en el cuadro de mandos estén en la posición "0" (apagado) y que la máquina esté apagada, manténgase lejos del fuego, no cortocircuite los polos de las baterías, no provoque chispas ni fume, proceda de la siguiente manera:

- desconecte de los polos de las baterías los bornes de los cables de las baterías y del puente.
- si fuera necesario, quite los dispositivos que fijan las baterías a la base de la máquina.
- levante las baterías del compartimiento con equipos de elevación adecuados.

5.6. El cargador de baterías (modelo con batería)

👉 ATENCIÓN

No deje descargar excesivamente las baterías, ya que podrían dañarse irremediablemente.

5.6.1. Elección del cargador de baterías

Controle que el cargador de baterías sea compatible con las baterías que deben ser recargadas:

- **baterías tubulares de plomo:** se aconseja utilizar un cargador de baterías automático de 24V - 20A. De todos modos, llame al fabricante y consulte el manual del cargador de baterías para confirmar su elección;
- **baterías de gel:** utilice un cargador de baterías específico para este tipo de batería.

5.6.2. Preparación del cargador de baterías

Si se desea utilizar un cargador de baterías no suministrado con la máquina, habrá que montarle el conector enviado junto con la máquina (véase el apartado "Desembalaje" de este manual).

El conector entregado para el Cargador de baterías exterior es idóneo a los cables de sección mínima 4 mm².

Para instalar el conector proceda de la manera siguiente:

- pele unos 13 mm el cable rojo y el cable negro del cargador de baterías;
- introduzca los cables en los contactos del conector y aplaste con fuerza con pinzas adecuadas;
- introduzca los cables en el conector, respetando las polaridades (cable rojo +, cable negro -).

5.7. Levantamiento y transporte de la máquina

ATENCIÓN

Todas las fases deberán ser llevadas a cabo en un lugar adecuadamente iluminado y adoptando las medidas de seguridad más adecuadas para la situación.

Utilice siempre protecciones individuales para la seguridad del operador.

Para cargar la máquina sobre un vehículo de transporte, siga estos pasos:

- vacíe el depósito de agua sucia y el depósito de la solución;
- desmonte el secador de suelos y los cepillos o los discos de arrastre;
- quite las baterías;
- coloque la máquina sobre el palet, fijándola con flejes plásticos o con los soportes metálicos correspondientes;
- levante el palet, utilizando una carretilla elevadora de horquillas, y cárguelo sobre el medio de transporte;
- fije la máquina al vehículo de transporte con cables conectados al palet y a la misma máquina.

6. GUÍA PRÁCTICA PARA EL OPERADOR

6.1. Mandos - Descripción

Tomando como referencia la fig. 5, la máquina incorpora los siguientes mandos e indicadores luminosos de señalización:

- **Indicador de control de la carga de la batería** (fig. 5, ref. 1): formado por 3 leds de color rojo, amarillo y verde que señalan el nivel de la carga de la batería. Las posibles situaciones son:
 - a) **led verde encendido**: baterías cargadas de 100% a 50%;
 - b) **led amarillo encendido**: baterías cargadas de 50% a 18%;
 - c) **led rojo encendido**: baterías casi descargadas;
 - d) **led rojo que destella**: baterías completamente descargadas; después de algunos segundos interviene el bloqueo de los cepillos y se enciende también el indicador del interruptor del cepillo;
- **Interruptor general – botón de emergencia con llave** (fig. 5, ref. 15 **modelos BT con tracción eléctrica**): habilita y deshabilita la alimentación eléctrica a todas las funciones de la máquina. Actúa como dispositivo de seguridad. Para arrancar la máquina, gire la llave hacia la derecha. Para detener la máquina, presione el pulsador.
- **Interruptor general** (fig. 5, ref. 3 **modelos B con tracción mecánica**): habilita e inhabilita la alimentación eléctrica de todas las funciones de la máquina. Pulse el botón para arrancar la máquina. Para detener la máquina pulse el botón.
- **Botón cepillo con luz piloto** (fig. 5, ref. 3 – todos los modelos): habilita (“led encendido”) e inhabilita (“led apagado”) el funcionamiento del cepillo y del aspirador:
- Botón de aspiración con indicador luminoso (fig. 5, ref. 2): enciende (“led encendido”) y apaga (“led apagado”) el motor de aspiración, el cual permite secar el suelo sobre el que se está trabajando. El indicador está encendido cuando el aspirador está alimentado.

- Botón Regulación del flujo de la solución (fig. 5, ref. 18): permite regular continuamente el flujo de solución enviados a los cepillos; el encendido del LED muestra la cantidad de líquido suministrado (fig. 5, ref. 20).

Manteniendo pulsado el botón durante al menos 2 segundos, se habilita/inhabilita la salida del flujo.

En esta máquina es posible regular manualmente la cantidad de flujo suministrado presionando por impulsos el botón de regulación del flujo de la solución (fig. 5, ref. 18), o bien se puede regular en modo automático (**solo los modelos BT con tracción eléctrica**); en este caso la máquina suministrará automáticamente el flujo, de manera proporcional a la velocidad de uso de la máquina. Siga estas instrucciones para configurar en el Programa de la máquina el tipo de salida del flujo:

- encienda la máquina, espere 5 segundos y controle que la pantalla se encienda.
- pulse simultáneamente los botones del cepillo (fig. 5, ref. 3) y el botón de la aspiración (fig. 5, ref. 2) durante al menos 5 segundos; de esta manera se accede al menú de configuración del tipo de batería instalada.
- pulsando una vez el botón del cepillo (fig. 5, ref. 3) se accede al menú de regulación del agua (en la pantalla aparecerá “MAN” o “AUT”).
- presionando por impulsos el botón de la aspiración (fig. 5, ref. 2), se seleccione el modo de funcionamiento “MAN” (manual) o “AUT” (automático)
- memorice el parámetro visualizado, pulsando el botón de emergencia o el botón del cepillo.
- **Palanca de accionamiento tracción** (fig. 5, ref. 7): la palanca de accionamiento de la tracción, permite el avance de la máquina y la rotación de los cepillos.
- **Palanca de elevación del secador** (fig. 5, ref. 8): sirve para levantar (si está bajado) y bajar (si está levantado) el secador de suelo.
- **Regulador de dirección** (fig. 5, ref. 10): girándolo se corrigen posibles desviaciones respecto del movimiento rectilíneo.
- **Pedal bajada/subida del cabezal** (fig. 5, ref. 9): colocado en la parte izquierda de la máquina, cuando se presiona, permite subir/bajar el cabezal - cepillos.
- **Indicador de nivel del depósito de la solución** (fig. 5, ref. 5): cuando en el depósito de la solución la cantidad del agua no es suficiente, se enciende el led.
- **Indicador de nivel depósito de agua sucia** (fig. 5, ref. 4): cuando el depósito de agua sucia está lleno se enciende el led y después de algunos segundos interviene el bloqueo del motor de aspiración.
- **Display:** visualiza las alarmas de la máquina cuando se activan. Las cifras que aparecen en el display durante el funcionamiento normal de la máquina se refieren al cuantahoras (tiempo total efectivo de funcionamiento de la máquina)
- **Selector de la dirección de marcha** (fig. 5, ref. 13 - **modelos BT con tracción eléctrica**), con este selector se pone la marcha hacia adelante o la marcha atrás.
- **Potenciómetro de regulación de la velocidad** (fig. 5, ref. 11 - **modelos BT con tracción eléctrica**), girando el potenciómetro se determina la velocidad máxima de marcha de la máquina

6.2. Montaje y regulación del secador de suelos

El secador de suelos (fig. 6) es el primer responsable del secado.

Para montar el secador de suelos en la máquina lleve a cabo las operaciones siguientes:

- compruebe que el soporte (fig. 6, ref. 2) del secador esté levantado; en caso contrario levántelo, actuando sobre la palanca correspondiente (fig. 5, ref. 8);

- introduzca hasta el fondo el manguito del tubo de aspiración (fig. 6, ref. 4) en el secador de suelos;
- afloje los dos volantes (fig. 6, ref. 3) situados en la parte central del secador de suelos;
- introduzca los dos pernos roscados en los agujeros del soporte (fig. 6, ref. 2);
- fije el secador de suelos apretando los dos volantes (fig. 6, ref. 3);

Los labios del secador tienen la función de recoger del suelo la película de agua y detergente para que el suelo quede perfectamente seco. Con el pasar del tiempo, el roce continuo redondea y fisura el canto vivo en contacto con el suelo, comprometiendo la eficacia de secado y, por consiguiente, habrá que sustituir el labio. Por dicho motivo, controle a menudo las condiciones de los labios;

Para obtener un secado perfecto, hay que regular el secador de suelos de manera que el labio trasero quede flexionado durante el trabajo en unos 45° respecto del suelo. La inclinación de los labios se puede regular con el tornillo (fig. 6, ref. 1), también es posible regular la altura del secador del suelo con el tornillo (fig. 6, ref. 5).

6.3. Desplazamiento de la máquina cuando no trabaja

Para desplazar la máquina siga estos pasos:

- levante el secador de suelos;
- empuje hacia abajo y hacia la derecha el pedal para mover el cabezal (fig. 5, ref. 9) para levantar el cabezal;
- desplácela de la siguiente manera:
 - **Versiones con tracción mecánica**: empuje o tire;
 - **Versiones con tracción eléctrica**: para la marcha hacia adelante, accione el selector (fig. 5, ref. 13), accione la palanca de tracción (fig. 5, ref. 7); para la marcha hacia atrás, accione el selector (fig. 5, ref. 13) y accione la palanca de tracción (fig. 5, ref. 7); para modificar la velocidad de avance, accione el regulador del potenciómetro (fig. 5, ref. 11);
- una vez que se llega a destino, baje el cabezal presionando hacia abajo y a la izquierda el pedal de desbloqueo (fig. 5, ref. 9) y luego suéltelo.

ATENCIÓN

No deje nunca la máquina sin vigilancia o aparcada con el cabezal levantado o con la llave puesta en el botón de emergencia.

6.4. Montaje y cambio de los cepillos / discos de arrastre

ATENCIÓN

No trabaje sin los cepillos, rodillos o discos de arrastre instalados perfectamente.

Montaje de los cepillos (modelos 1 cepillo): apoye el cepillo sobre el suelo, delante de la máquina y luego céntralo con el cárter. Baje el cabezal y accione la palanca de mando cepillo/tracción (fig. 5, ref. 7) brevemente: de esta manera, el cepillo se engrana automáticamente en el cubo de la brida. Si la maniobra ha fallado, presione nuevamente la empuñadura, repita el centrado y apriete la palanca de accionamiento cepillo/tracción.

Utilización de discos abrasivos/microfibra: monte el disco abrasivo/microfibra sobre el disco de arrastre y lleve a cabo las maniobras descritas para el montaje del cepillo en la fregadora-secadora

Desmontaje cepillos (modelos 1 cepillo) (o disco de arrastre) siga estos pasos:

levante el cabezal de la máquina empujando hacia abajo y a la derecha el pedal de elevación del cabezal (fig. 5, ref. 9) y accione varias veces brevemente la palanca de accionamiento cepillo/tracción. Después de pocos impulsos el/los cepillo/s (o el disco de arrastre) se desengancha y cae al suelo.

! PELIGRO

Estas operaciones deben realizarse con la máquina apagada

Desmontaje de los cepillos (modelos con 2 cepillos):

levante el cabezal de la máquina empujando hacia abajo y a la derecha el pedal de elevación del cabezal (fig. 5, ref. 9).

Coloque los cepillos bajo el disco de arrastre del cabezal.

Levante el cepillo derecho con las manos y gírelo en "sentido horario" bloqueándolo sobre el disco de arrastre, levante el cepillo izquierdo con las manos y gírelo en "sentido antihorario" bloqueándolo sobre el disco de arrastre.

Uso de discos abrasivos: monte el disco abrasivo sobre el disco de arrastre y haga las maniobras descritas para el montaje del cepillo en la fregadora-secadora.

Desmontaje de los cepillos (versión con 2 cepillos) siga estos pasos:

levante el cabezal de la máquina empujando hacia abajo y a la derecha el pedal de elevación del cabezal (fig. 5, ref. 9), gire en "sentido antihorario" el cepillo derecho desbloqueándolo del disco de arrastre; gire en "sentido horario" el cepillo izquierdo desbloqueándolo del disco de arrastre.

6.5. Detergentes – Indicaciones de uso

ATENCIÓN

Diluya siempre los detergentes según las indicaciones del proveedor. No utilice hipoclorito de sodio (lejía) u otros oxidantes, especialmente en concentraciones altas, ni utilice disolventes o hidrocarburos. La temperatura del agua y del detergente no debe superar la temperatura máxima indicada en los datos técnicos y dichos elementos no deben contener arena ni otras impurezas.

La máquina ha sido diseñada para utilizarse con detergentes no espumosos y biodegradables, específicos para fregadoras-secadoras de suelos.

Para una lista completa y actualizada de los detergentes y productos químicos disponibles contacte con el Fabricante.

Utilice exclusivamente productos idóneos para el suelo y la suciedad a eliminar.

Respete las normas de seguridad relativas al uso de los detergentes indicadas en el apartado "Normas de seguridad".

6.6. Llenado del depósito de agua/detergente

Antes de llenar el depósito de agua/detergente, desenrosque el tapón (fig. 2, ref. 8) y abra el grifo (fig. 2, ref. 9) del tubo (fig. 2, ref. 10). Esta operación permitirá que el aire salga del tubo/depósito y, durante el llenado, permitirá comprobar visualmente en el tubo el nivel de agua/detergente en el interior del depósito.

Llene el depósito (fig. 2, ref. 7) por la abertura frontal, utilizando agua limpia y detergente no espumoso en la concentración oportuna: deje por lo menos 5 cm de desnivel entre la superficie del líquido y la boca del depósito. Tras haber finalizado la operación, cierre el grifo (fig. 2, ref. 9) y vuelva a enroscar el tapón (fig. 2, ref. 8).

6.7. Preparación de la máquina para el trabajo

ATENCIÓN

Antes de empezar a trabajar, póngase bata, auriculares, zapatos antideslizantes e impermeables, mascarilla de protección de las vías respiratorias, guantes y cualquier otro equipo de protección indicado por el proveedor del detergente empleado o necesario para el lugar donde se trabaja.

Antes de comenzar a trabajar, lleve a cabo las siguientes operaciones:

- controle el nivel de carga de las baterías (recárguelas si fuera necesario);
- baje el cabezal usando el pedal correspondiente (fig. 5, ref. 9);

- controle que el depósito de agua sucia (fig. 2, ref. 2) esté vacío; si no es así, vacíelo;
- llene el depósito de agua/detergente.
- monte los cepillos o discos de arrastre o rodillos adecuados para el tipo de suelo y el trabajo que debe realizar (véase párrafo 3.4);
- controle que el secador de suelo (fig. 2, ref. 6) esté bien fijado, conectado al tubo de aspiración (fig. 6, ref. 4); observe que el labio trasero no esté desgastado.

INFORMACIÓN

En caso se utilice la máquina por primera vez, se aconseja un breve período de prueba sobre una superficie amplia y sin obstáculos, para adquirir la confianza necesaria .

Siempre vacíe el depósito de agua sucia antes de llenar nuevamente el depósito de la solución.

Para una limpieza eficaz y para que la máquina dure mucho tiempo, siga algunas reglas sencillas:

- prepare la zona de trabajo alejando los posibles obstáculos;
- comience a trabajar desde el punto más alejado para no pasar por encima de la zona recién lavada;
- elija los recorridos de trabajo más rectilíneos posibles;
- en el caso de pavimentos amplios, subdivida el recorrido en zonas rectangulares y paralelas entre sí.

Si es necesario, al final del trabajo pase rápidamente con una mopa o trapo para limpiar puntos inaccesibles a la máquina.

6.8. Trabajo

Después de haber preparado la máquina, proceda de la siguiente manera:

- baje el secador de suelos por medio de la palanca correspondiente (fig. 5, ref. 8);
- presione el botón del cepillo (fig. 5, ref. 3); el aspirador se encenderá automáticamente;
- pulse el botón del aspirador (fig. 5, ref. 2) si deseara inhabilitar la aspiración del detergente;
- presione la palanca de mando cepillo/tracción (fig. 5, ref. 7).
- ***Modelos con tracción mecánica:*** cuando el motor del cepillo está habilitado para el funcionamiento y se tira de la palanca de tracción, se enciende el motor que hace girar el cepillo y la máquina avanza. El dispositivo especial de tracción mecánica utiliza la fricción entre el cepillo y el suelo para generar un empuje hacia adelante, por lo tanto, soltando la palanca de tracción mecánica se apaga el motor cepillo y de consecuencia la máquina se detiene.

Si es necesario, corrija las tendencias que desvían el movimiento rectilíneo utilizando la empuñadura de regulación de dirección (fig. 5, ref. 10): si la máquina tiende hacia la derecha, gire la empuñadura en sentido horario y viceversa.

- **Modelos con tracción eléctrica:** para avanzar o retroceder véase el párrafo 6.3. controle periódicamente que llegue la solución detergente a los cepillos y reponga cuando se termina; cuando en el depósito de la solución la cantidad de agua no es suficiente, se enciende el relativo indicador de nivel (fig. 5, ref. 5): es necesario detenerse y llenar nuevamente el depósito;

mientras se está trabajando, controle la calidad del lavado y regule el flujo de solución pulsando el botón (fig. 5, ref. 18), el encendido de los LEDs mostrará la cantidad de líquido suministrado (fig. 5, ref. 20).

ATENCIÓN

Cada vez que se rellene el depósito de la solución, vacíe siempre el depósito de agua sucia.

No aparque la máquina con el aspirador encendido y el grifo de la solución abierto.

- si el depósito de agua sucia estuviera lleno, se encenderá el indicador de nivel (fig. 5, ref. 4) y, después de algunos segundos, se activará el dispositivo de bloqueo del motor del aspirador; deténgase y vacíe el depósito.
- si el indicador de señalización (fig. 5, ref. 1) comenzara a destellar, significa que la carga de las baterías se está por terminar. Después de algunos segundos se bloquean los cepillos para evitar una descarga excesiva. Proceda a cargarlas nuevamente.

Al terminar el trabajo:

- suelte la palanca de accionamiento cepillos/tracción (fig. 5, ref. 7) situada debajo de la empuñadura: se apaga el motor del cepillo/tracción y la máquina se detiene;
- detenga el cepillo pulsando el botón (fig. 5, ref. 3);
- levante la palanca (fig. 5, ref. 8) para levantar el secador del suelo, a fin de evitar que la presión continua deforme las hojas de secado;
- quite los cepillos (o los discos de arrastre) para evitar que se deforme de manera permanente;
- vacíe y limpie el depósito de agua sucia.

6.9. Algunos consejos útiles para utilizar perfectamente el secador de suelos

Si en el suelo hubiera un tipo de suciedad difícil de limpiar, la máquina puede hacer las operaciones de lavado y secado por separado.

6.9.1. Prelavado utilizando los cepillos o los pad

- regule el flujo de la solución;
- presione el botón del cepillo (fig. 5, ref. 3);
- baje el cabezal;
- accione la palanca de tracción para permitir la rotación de los cepillos;
- asegúrese de que el aspirador esté apagado y que el secador de suelo esté levantado;
- comience a lavar.

El flujo del agua debe salir según la velocidad de avance dada por el operador. Cuanto más lento se proceda, menos agua debe salir.

Insista en fregar de manera particular sobre los puntos más sucios: de esta manera el detergente tiene tiempo para cumplir su acción química de disgregación y suspensión de la suciedad y los cepillos logran efectuar una acción mecánica eficaz.

6.9.2. Secado

Baje el secador y con el aspirador funcionando, pase otra vez sobre la misma zona antes lavada. De esta manera se obtiene un resultado equivalente a un fregado de fondo y se reducen notablemente las operaciones sucesivas de mantenimiento ordinario.

Para lavar y secar simultáneamente, accione al mismo tiempo los cepillos, el agua, el secador de suelos y el motor de aspiración.

6.10. Desagüe del agua sucia

! PELIGRO

**Utilice los equipos de protección individual idóneos para la operación a efectuar.
Vacíe la máquina desconectada de la alimentación eléctrica.**

El tubo de descarga del depósito de agua sucia está colocado en la parte trasera izquierda de la máquina.

Para vaciar dicho depósito:

- coloque la máquina cerca de un sumidero de desagüe;
- quite el tubo de desagüe (fig. 7, ref. 2) de su alojamiento, cogiéndolo cerca del muelle de fijación (fig. 7, ref. 3) y tírelo horizontalmente;
- manteniendo el extremo del tubo lo más alto posible, desenrosque el tapón (fig. 7, ref. 4) del tubo y quítelo;
- baje gradualmente el extremo del tubo, controlando la intensidad del chorro con su

altura desde el suelo;

- compruebe la cantidad de suciedad residual en el depósito de agua sucia y, de ser necesario, lave su interior. Para facilitar la limpieza y la descarga completa, se recomienda desengancharlo del depósito de la solución y levantarlo;
- cuando se haya vaciado, baje el depósito de agua sucia (si antes lo había levantado) y engánchelo al depósito de solución;
- cierre el tubo de desagüe (fig. 7, ref. 2) con el tapón (fig. 7, ref. 4) enroscándolo y controlando que quede perfectamente cerrado y coloque el tubo en su lugar.

ATENCIÓN

Mientras lave el depósito de agua sucia nunca quite el filtro de aspiración (fig. 9, ref. 2) de su alojamiento y no dirija nunca el chorro de agua hacia el mismo filtro.

Ahora se podrá lavar y secar nuevamente.

6.11. Descarga del agua limpia

! PELIGRO

Utilice los equipos de protección individual idóneos para la operación a efectuar.

Para vaciar el depósito de solución detergente:

- coloque la máquina cerca de un sumidero de desagüe;
- desconecte el tubo (fig. 8, ref. 1) de su alojamiento y desenrosque el tapón (fig. 8, ref. 2).
- baje el tubo y abra el grifo (fig. 8, ref. 3) para vaciar el depósito.

INFORMACIÓN

La solución de agua y detergente se puede utilizar incluso para lavar el depósito de agua sucia.

7. PERÍODOS DE INACTIVIDAD

Si la máquina debe permanecer inactiva durante mucho tiempo, el secador de suelos y los cepillos (o los discos de arrastre) deberán ser desmontados, lavados y colocados en un lugar seco (preferentemente embalados en un sobre o una hoja de plástico), protegidos del polvo. Aparque la máquina con el cabezal bajo.

Además, controle que los depósitos estén completamente vacíos y perfectamente limpios.

Desconecte la máquina de la alimentación eléctrica.

Recargue completamente las baterías antes de guardarlas en el almacén. Durante los períodos prolongados de inactividad, recárguelas periódicamente (al menos una vez cada dos meses) para mantener las baterías constantemente con la carga máxima.

ATENCIÓN

Si no se recargan periódicamente las baterías, se corre el riesgo de que se dañen irreparablemente.

8. MANTENIMIENTO Y RECARGA DE LAS BATERÍAS

! PELIGRO

No controle las baterías haciendo chispas.

Las baterías emanan vapores inflamables: antes de controlar o reponer el nivel de las baterías, apague cualquier fuente que pueda producir fuego o chispas.

Lleve a cabo las operaciones descritas a continuación en un lugar ventilado.

Para evitar daños permanentes en las baterías, nunca deje que se descarguen completamente.

Recuerde que cuando en el panel de control destelle el indicador rojo (fig. 5, ref. 1), hay que volver a cargar las baterías.

8.1. Procedimiento para la recarga

- conecte el conector del cargador de baterías al conector del cableado de las baterías (fig. 4, ref. 1).

ATENCIÓN

Dependiendo del tipo de batería que elija instalar, asegúrese de programar el cargador de batería suministrado con la configuración de batería adecuada.

- haga la recarga según lo especificado en el manual del cargador de baterías;
- al concluir la recarga, desconecte los conectores;
- vuelva a conectar el conector del cableado de la batería al conector de la máquina.

8.2. Configuración del cargador de batería a bordo

i INFORMACIÓN

Para las máquinas suministradas con baterías preinstaladas, el cargador de batería y las configuraciones de la batería en la máquina son ajustadas en fábrica. La máquina está lista para funcionar.

IMPORTANTE

IMPORTANTE: Para las máquinas suministradas sin baterías, la máquina y el cargador de batería son configurados en fábrica para baterías húmedas de plomo y ácido como valor por defecto. Si se decide instalar otro tipo de batería, la configuración del cargador **DEBE** modificarse como se describe a continuación. El incumplimiento de estas instrucciones puede dañar la batería. Dependiendo del tipo de batería seleccionada (plomo y ácido húmeda o Gel/AGM sellada), la selección de la batería en la máquina también **DEBE** cambiarse. Véase la etiqueta de la máquina para las instrucciones de configuración de la batería en la máquina o consulte la sección *5.5 Baterías de alimentación (modelos con batería)*.

Configuración	Descripción de la batería
0	WUla: Batería de ácido genérica (PREDEFINIDA)
1	WUUO: Batería de GEL/AGM genérica
2	WUla: Batería de GEL «Exide Sonnenschein»
3	WUla: Batería de AGM «Discover»
4	WUla: Batería de ácido genérica TCL
5	WUUO: Batería de GEL/AGM genérica TCL
6	WUla: Batería de GEL «Exide Sonnenschein» TCL
7	No utilizar

POSICIÓN DE LOS INTERRUPTORES DIP:
LEVANTAR LA TAPA



9. INSTRUCCIONES PARA EL MANTENIMIENTO

! PELIGRO

No hay que llevar a cabo ninguna operación de mantenimiento sin haber desconectado antes las baterías.

Las operaciones de mantenimiento relativas a la instalación eléctrica y todas aquellas no descritas explícitamente en este manual de instrucciones deben ser efectuadas por personal técnico especializado, respetando las normas de seguridad vigentes y aquello indicado en el manual para el mantenimiento.

9.1. Mantenimiento – Reglas generales

Hacer un mantenimiento regular, respetando las indicaciones dadas por el Fabricante, garantiza un mejor rendimiento y una mayor duración de la máquina.

Para limpiar la máquina adopte siempre las siguientes precauciones:

- no utilice hidrolimpiadoras: podría entrar agua en el interior del compartimiento eléctrico o de los motores, produciendo averías o cortocircuitos;
- no utilice vapor porque el calor podría deformar las piezas de plástico;
- no emplee solventes ni hidrocarburos: podrían estropear el capó o las piezas de goma.

9.2. Mantenimiento ordinario

9.2.1 Filtro de aire del aspirador y flotador: limpieza

- Desenrosque y quite el tapón (fig. 9, ref. 1) del depósito de agua sucia (fig. 9, ref. 4);
- controle que el depósito de agua sucia (fig. 9, ref. 4) esté vacío;
- limpie el flotador (fig. 9, ref. 5) situado en la pared trasera del depósito de agua sucia teniendo cuidado en no dirigir el chorro de agua directamente sobre el flotador;
- extraiga el soporte del flotador (fig. 9, ref. 3) situado en la parte superior interior del depósito de agua sucia, el filtro de aire (fig. 9, ref. 2) del aspirador;
- limpie el filtro con agua corriente o con el detergente utilizado en la máquina;
- reinstale el filtro en el soporte únicamente después de haberlo secado perfectamente. Controle que el filtro haya quedado bien montado;
- vuelva a enroscar el tapón en el depósito de agua sucia.

9.2.2 Filtro de rejilla: limpieza

- Extraiga el filtro de rejilla del orificio de llenado del agua en la zona delantera de la máquina;
- limpie el filtro con agua corriente o con el detergente utilizado en la máquina;
- introduzca nuevamente el filtro en el soporte, asegúrese de haberlo colocado correctamente en su lugar.

9.2.3 Filtro solución detergente: limpieza

- desenrosque la tapa (fig. 10, ref. 1) situada debajo del depósito inferior;
- extraiga el filtro del detergente (fig. 10, ref. 2);
- limpie el filtro con agua corriente o con el detergente utilizado en la máquina;
- instale de nuevo el filtro en el soporte, asegúrese de que el filtro haya quedado bien montado y enrosque la tapa.

9.2.4 Labios del secador de suelo: sustitución

Los labios del secador de suelo sirven para raspar del suelo la película de agua y detergente, permitiendo así un secado perfecto. Con el pasar del tiempo, el arrastre continuo redondea y fisura el canto vivo en contacto con el suelo, perjudicando la eficacia del secado y requiriendo así la sustitución del labio.

Intercambio o sustitución de los labios:

- baje el secador de suelo por medio de la palanca (fig. 5, ref. 8);
- quite el secador de suelo (fig. 2, ref. 6) de su soporte (fig. 6, ref. 2), desenroscando completamente los dos volantes (fig. 6, ref. 3);
- extraiga el manguito del tubo de aspiración (fig. 6, ref. 4) del secador de suelo;
- Abra el gancho (Fig. 11, Ref. 1).
- Empuje hacia afuera los dos prensadores de labios (fig. 11, ref. 2) y extráigalos.
- Desmonte el labio.
- Reinstale el mismo labio invirtiendo el canto en contacto con el suelo hasta que se desgasten los cuatro cantos, o monte un nuevo labio encastrándolo en los pernos del cuerpo del secador de suelos.
- Monte nuevamente los dos prensadores de labios, centrando la parte más ancha de los agujeros alargados en los pernos de fijación del cuerpo del secador de suelos y empujando los prensadores de labios hacia adentro.
- Cierre el gancho.
- Reinstale el secador de suelos en su soporte siguiendo las indicaciones descritas anteriormente.

9.2.5 Fusibles: sustitución (modelo con baterías)

El fusible que protege el motor del cepillo y el fusible que protege el motor de aspiración se encuentran en los portafusibles (fig. 12, ref. 1) fijados en el depósito de agua sucia, encima del vano de las baterías de la máquina.

Para sustituirlos:

- asegúrese de que el depósito de agua sucia esté vacío, de lo contrario vacíelo;
- levante el depósito de agua sucia;
- levante la tapa del portafusible y quite el fusible desenroscando los tornillos de fijación;
- monte un fusible nuevo y cierre la tapa del portafusibles;
- por último, baje el depósito de agua sucia.

Tabla de los fusibles: para conocer la tabla completa de los fusibles, consulte el catálogo de las piezas de Repuesto.

ATENCIÓN

No instale jamás un fusible de amperaje superior a aquel previsto.

Si un fusible se quemara continuamente, habrá que identificar y reparar el desperfecto en los cables, en las tarjetas (en su caso) o en los motores: haga controlar la máquina a personal técnico especializado.

9.3. Mantenimiento periódico

9.3.1. Operaciones diarias

Diariamente, al concluir el trabajo, lleve a cabo las siguientes operaciones:

- desconecte la máquina de la alimentación eléctrica;
- vacíe el depósito de agua sucia y límpielo de ser necesario;
- limpie los labios del secador de suelo, controlando su desgaste; sustitúyalos de ser necesario;
- controle que la abertura de aspiración del secador de suelos no esté atascada; de ser necesario, limpie las incrustaciones de suciedad;
- recargue las baterías siguiendo las instrucciones antedichas.

9.3.2. Operaciones semanales

- Limpie el flotador del depósito de agua sucia y controle que funcione correctamente;

- limpie el filtro de aire de aspiración y controle que no esté dañado (sustitúyalo de ser necesario);
- limpie el filtro de la solución de detergente situado en la abertura anterior del depósito de detergente (fig. 2, ref. 7) y controle que esté en buenas condiciones (sustitúyalo si fuera necesario);
- limpie el tubo de aspiración;
- limpie el depósito de agua sucia y aquel de la solución;
- controle el nivel del electrolito en las baterías y rellene con agua destilada si fuera necesario.

9.3.3. Operaciones semestrales

Haga controlar por personal cualificado la instalación eléctrica.

9.4. MANTENIMIENTO

En la tabla de abajo se indica la Encargada de cada procedimiento.

O = Operador

C = Personal capacitado.

Frecuencia	Encargado	Leyenda	Descripción	Procedimiento	Lubricante/Líquido
Diariamente	O	1	Pad(s)	Controle, limpie o sustituya	
	O	1	Cepillo(s)	Controle y limpie	
	O	6	Secador de suelos	Limpie, compruebe si presenta daños y la condición de desgaste	
	O	8	Chapa antisalpicaduras	Compruebe si presenta daños y la condición de desgaste	
	O	2	Depósito de agua sucia	Vacíe, enjuague, limpie la protección del flotador y la cesta de residuos	
	O	3	Depósito de la solución	Vacíe y enjuague	
	O	4	Depósito aplicaciones Heavy Duty (opcional)	Controle y reponga	DAC
	O	5	Carga automática de baterías (opcional)	Controle y reponga	AD
	O	7	Baterías	Cargue si es necesario	
Semanalmente	O	7	Baterías	Controle el nivel del electrolito	AD
	O	7	Alojamiento de las baterías	Controle los líquidos	
	O	6	Sifón grupo secador de suelos (modelo de doble disco)	Controle Limpie	
50 horas	O	2	Junta de la tapa del depósito de agua sucia	Compruebe la condición de desgaste	
	O	9	Filtro del depósito de la solución	Extraiga y limpie	
100 horas	O	7	KIT de carga de baterías (opcional)	Compruebe posibles daños y la condición de desgaste de los tubos	
200 horas	O	7	Baterías, bornes y cables	Controle y limpie	
	C	13	Cadena de la dirección	Lubrique, compruebe la tensión, controle posibles daños y la condición de desgaste	LR
	C	14	Cable de la dirección	Compruebe la tensión. Compruebe si presenta daños y la condición de desgaste	
750 horas	C	10	Motor de aspiración	Sustituya las escobillas	
1250 horas	C	11	Motor de tracción	Sustituya las escobillas	
	C	12	Motores cepillo	Sustituya las escobillas	

LUBRICANTE/LÍQUIDO

AD Agua destilada

DAC Detergente aprobado comercializado

LR Lubricante reductor SAE W90

10. INCONVENIENTES, CAUSAS Y REMEDIOS

10.1. Resolución de los posibles inconvenientes

[B]= máquinas con batería

[C]= máquinas con cable

[BT]= máquinas con batería con tracción eléctrica

Posibles inconvenientes relativos a toda la máquina.

INCONVENIENTES	CAUSAS	SOLUCIONES
La máquina no funciona	• [B]= el conector de las baterías está desconectado	• [B]= conecte las baterías a la máquina
	• [B]= las baterías están descargadas	• [B]= recargue las baterías
Los cepillos no giran	• [B], [BT]= no se ha pulsado el botón de accionamiento de los cepillos	• pulse el botón de los cepillos
	• la palanca del cepillo no está apretada	• apriete la palanca del cepillo
	• [B]= se ha desconectado la protección térmica del motor del cepillo: el motor se ha recalentado	• [B]= suelte la palanca del cepillo dejando enfriar la máquina durante al menos 45'
	• [B], [BT]= el conector de alimentación, o el conector de la protección térmica del motor, está desconectado	• [B], [BT]= vuelva a conectar el conector de alimentación o el conector relativo al térmico
	• [B], [BT]= se ha quemado el fusible del motor del cepillo	• [B], [BT]= haga controlar y elimine las causas que provocaron el desperfecto del fusible, y después sustitúyalo
	• [B], [BT]= las baterías están descargadas	• [B], [BT]= recargue las baterías
	• el reductor está roto	• haga sustituir el reductor
	• el motor está dañado	• haga sustituir el motor
La máquina no lava uniformemente	• los cepillos o los discos están desgastados	• sustituya

La solución no sale	• el depósito de la solución está vacío	• llénelo
	• el tubo que transporta la solución hacia el cepillo está atascado	• elimine el atascamiento, restableciendo los tubos
	• la electroválvula está sucia o no funciona	• limpie o sustituya la electroválvula
El flujo de la solución no se interrumpe	• la electroválvula está sucia o no funciona	• limpie o sustituya la electroválvula
El motor de aspiración no funciona	• el motor de aspiración no está alimentado o está averiado	• controle que el conector de alimentación del motor esté conectado correctamente al cable principal; en el segundo caso, haga sustituir el motor
	• [B], [BT]= = se ha quemado el fusible	• [B], [BT]= = sustituya el fusible
El secador de suelos no limpia o no aspira bien	• el canto de los labios de goma en contacto con el suelo está achafanado	• sustituya el labio de goma
	• hay un atascamiento o avería en el secador de suelos o en el tubo	• elimine el atascamiento y repare la avería
	• el flotador se ha accionado (depósito de agua sucia lleno) o está bloqueado por suciedad o bien está roto	• vacíe el depósito de agua sucia o repare el flotador
	• el tubo de aspiración está atascado	• limpie el tubo
	• el tubo de aspiración está desconectado del secador o está averiado	• conecte o repare el tubo
	• el motor de aspiración no está alimentado o está averiado	• controle que el conector de alimentación del motor esté conectado correctamente al cable principal y que el fusible de protección no esté quemado; en el segundo caso, sustituya el motor
La máquina no avanza	• el motor del cepillo/tracción está apagado, o no está alimentado, o está dañado	• en el primer caso pulse el interruptor de los cepillos y la palanca cepillos/tracción; en el segundo caso, compruebe que el motor del cepillo esté conectado correctamente al cableado principal; en el tercer caso sustituya el motor.
	• el reductor está roto y el cepillo no gira	• haga sustituir el reductor
	• se ha desconectado la protección térmica del motor del cepillo: el motor se ha recalentado	• detenga la máquina y apáguela, dejándola enfriar durante al menos 45'

	<ul style="list-style-type: none"> • [B], [BT]= las baterías están descargadas y se ha desconectado el dispositivo de bloqueo de seguridad de los cepillos 	<ul style="list-style-type: none"> • [B], [BT]= recargue las baterías
La máquina tiende a desviar hacia un lado	<ul style="list-style-type: none"> • el suelo requiere un ajuste del regulador de dirección 	<ul style="list-style-type: none"> • regule la dirección de marcha mediante el regulador de dirección
Las baterías no aseguran la autonomía normal	<ul style="list-style-type: none"> • los polos y los bornes de las baterías están sucios y oxidados • el nivel del electrolito está bajo • el cargador de baterías no funciona o es inadecuado • hay mucha diferencia de densidad entre los diferentes elementos de la batería • se está utilizando la máquina con una presión del cepillo demasiado alta • hay mucha diferencia de densidad entre los diferentes elementos de la batería 	<ul style="list-style-type: none"> • limpie y engrase los polos y los bornes, recargue las baterías • añada agua destilada, rellenando cada elemento según las instrucciones • véanse las instrucciones del cargador de baterías • sustituya la batería dañada • disminuya la presión en los cepillos • sustituya la batería averiada
La batería se descarga muy rápido durante el uso, aún después de haberla cargado correctamente y estando uniformemente cargada después de haberle hecho la prueba con el densímetro	<ul style="list-style-type: none"> • la batería es nueva y no proporciona el 100 % de las prestaciones necesarias • la máquina se utiliza a la potencia máxima durante períodos continuos y la autonomía no es suficiente • el electrolito se ha evaporado y no cubre completamente las placas 	<ul style="list-style-type: none"> • para obtener las prestaciones máximas, es necesario rodar la batería haciendo 20-30 ciclos completos de carga y descarga • utilice, donde esté previsto y sea posible, baterías de capacidad mayor, o sustituya las baterías por otras cargadas • añada agua destilada, rellenando cada elemento hasta cubrir las placas y recargue la batería
La batería se descarga muy rápido durante el uso, el proceso de recarga con el cargador de baterías electrónico es muy rápido y al final la batería proporciona la tensión correcta (unos 2,14 V por elemento sin carga), pero no está cargada uniformemente después de haberle hecho la prueba con el densímetro	<ul style="list-style-type: none"> • la batería suministrada por el Fabricante, cargada con ácido, estuvo almacenada durante mucho tiempo antes de ser recargada y utilizada por primera vez 	<ul style="list-style-type: none"> • si la recarga con un cargador de baterías normal no fuera eficiente, habrá que efectuar otra recarga compuesta de: <ul style="list-style-type: none"> - una carga lenta de 10 horas de duración con una corriente equivalente a 1/10 de la capacidad nominal expresada en 5 horas (por ej. para una batería de 100Ah(5) la corriente a configurar será de 10A, hecha con un cargador de baterías manual); - reposo de una hora; - carga con el cargador de baterías normal.

<p>Al concluir el proceso de carga con un cargador de baterías electrónico, la batería no proporciona la tensión correcta (unos 2,14 V por elemento sin carga) y está descargada uniformemente después de la prueba con el densímetro</p>	<ul style="list-style-type: none"> • la batería no ha sido conectada al cargador de baterías (por ejemplo porque el conector de baja tensión del cargador de baterías está mal conectado al conector de la máquina) 	<ul style="list-style-type: none"> • conecte el cargador de baterías al conector de la batería
	<ul style="list-style-type: none"> • el cargador de baterías y la toma de corriente a la cual está conectado no son compatibles entre sí 	<ul style="list-style-type: none"> • compruebe que las características de la alimentación eléctrica, indicadas en la placa de características del cargador de baterías, sean conformes con aquellas de la red eléctrica.
	<ul style="list-style-type: none"> • el cargador de baterías no está instalado correctamente 	<ul style="list-style-type: none"> • tenga en cuenta la tensión efectiva disponible en la toma de alimentación, controle que las conexiones del primario del transformador en el interior del cargador de baterías sean correctas (a tal fin consulte el manual del cargador de baterías).
	<ul style="list-style-type: none"> • el cargador de baterías no funciona 	<ul style="list-style-type: none"> • controle que llegue tensión al cargador de baterías, que los fusibles no estén quemados y que llegue corriente a la batería; intente cargar la batería con otro rectificador: si efectivamente el cargador de baterías no funciona, diríjase al centro de Asistencia técnica, comunicando el número de serie del cargador de baterías
<p>Al concluir el proceso de carga con un cargador de baterías electrónico, la batería no proporciona la tensión correcta (unos 2,14 V por elemento sin carga) y solo unos pocos elementos están descargados después de la prueba con el densímetro</p>	<ul style="list-style-type: none"> • uno o varios elementos están averiados 	<ul style="list-style-type: none"> • de ser posible, sustituya los elementos averiados. Para las baterías de 6V o 12V monobloque, sustituya toda la batería
<p>El electrolito presente en la batería es turbio</p>	<ul style="list-style-type: none"> • la batería ha concluido los ciclos de recarga/descarga declarados por el Fabricante 	<ul style="list-style-type: none"> • sustituya la batería
	<ul style="list-style-type: none"> • se ha recargado la batería con una corriente muy alta 	<ul style="list-style-type: none"> • sustituya la batería
	<ul style="list-style-type: none"> • se ha superado el límite máximo de carga de la batería aconsejado por el Fabricante 	<ul style="list-style-type: none"> • sustituya la batería

El tubo de descarga del agua/detergente no muestra el nivel de la solución en el interior del depósito durante el llenado	• Grifo del tubo de descarga del agua/detergente cerrado	• Retire el tapón de descarga y abra el grifo
	• <u>Tapón del tubo de descarga del agua/detergente enroscado</u>	• <u>Retire el tapón de descarga y abra el grifo</u>

11. ALARMAS EN LA PANTALLA

ACC / MAN [Acc / NAn] : Acelerador / MAN

Aparece si la palanca de tracción se aprieta en el momento del encendido o después de restablecer una emergencia.

La tracción no arranca si no se suelta la palanca.

POT : Potenciómetro

Aparece cuando se produce una rotura o desperfecto del potenciómetro de regulación de la velocidad.

La tracción se detiene, hay que soltar y volver a presionar la palanca de tracción.

Si el problema persiste, el potenciómetro podría estar averiado.

Lim [Lin] : Limitación

Aparece cuando el MOSFET alcanza el límite térmico interno.

La tracción se detiene, hay que soltar y volver a presionar la palanca de tracción.

Si el problema persiste, espere unos minutos para dejar enfriar el Mosfet.

Hom [Hon] : Térmico MOSFET

Aparece cuando el sensor térmico en el interior del MOSFET se activa.

Apague la máquina y espere 10 minutos a que el componente se enfríe. De ser necesario, sustituya la tarjeta.

Hot : Recalentamiento

Aparece cuando interviene el sensor térmico del motor.

Espere algunos minutos hasta que el motor se enfríe. Controle la conexión entre el sensor térmico y la tarjeta.

MoS [noS] : MOSFET

Aparece cuando el Mosfet tracción está en cortocircuito o la bobina del telerruptor no cierra correctamente y se activan la función cepillo o tracción.

El relé de aspiración tiene la bobina en cortocircuito, pruebe con un relé nuevo.

El relé del motor de tracción tiene la bobina en cortocircuito, pruebe con un relé nuevo.

De todas maneras, la tracción se detiene.

Cuando aparece este mensaje falta la habilitación para el telerruptor general.

Sustituya la tarjeta principal.

MoF [NoF] : Mosfet

Aparece cuando el Mosfet tracción queda abierto. La tracción se detiene.

Los cepillos y aspiración están habilitados, la tracción está inhibida.

bLt: bloqueo de la tracción.

Aparece cuando la tensión de la batería es demasiado baja y la tracción está bloqueada. Cargar la batería y volver a probar.

AcS : Anomalía en el accionamiento del cepillo

Aparece cuando hay una anomalía en el accionamiento del telerruptor para la activación del cepillo.

Pulse el interruptor del cepillo, si el mensaje no desaparece, el telerruptor podría estar desconectado o el elemento de mando en el interior de la tarjeta podría estar averiado.

AcA: Anomalía en el accionamiento del aspirador

Aparece cuando hay una anomalía en el accionamiento del telerruptor para la activación del aspirador.

Pulse el interruptor del aspirador, si el mensaje no desaparece, el telerruptor podría estar desconectado o el elemento de mando en el interior de la tarjeta podría estar averiado.

ACH : Anomalía en el accionamiento de la electroválvula

Aparece cuando hay una anomalía en el accionamiento de la electroválvula de agua.

Controle el funcionamiento de la bobina y el cableado entre la tarjeta del cuadro y la electroválvula.

FuP : Fusible

Aparece cuando la bobina del telerruptor principal no se cierra correctamente y la aspiración está activa.

Tarjeta de la pantalla con problema interior o falta de contacto con cable de puesta a tierra.

CLH : Clock

Aparece cuando hay un problema en la memoria de la tarjeta del cuadro. Sustituya la tarjeta.

err : Error

Aparece cuando hay un error de mal funcionamiento general en la placa electrónica. Reemplace la placa de visualización.

12. T290 – PIEZAS DE REPUESTO RECOMENDADAS

Número de Pieza	DESCRIPCIÓN
9017703	CEPILLO, 50CM, PP
9017704	CEPILLO, 50CM, PP Suave
9017710	DISCO DE ARRASTRE, 50CM [ESTÁNDAR]
1243338	PAD, ABRILLANTADOR, 20.0D, BLANCO [CANT. 5]
1243339	PAD, PULIDO, 20.0D, ROJO [CANT. 5]
1243340	PAD, ABRASIVO, 20.0D, BLANCO [CANT. 5]
1243566	PAD, FREGADO, 20.0D, MARRÓN [CANT. 5]
1243661	PAD, FREGADO, 20.0D, NEGRA, ALTA PROD. [CANT. 5]
1243670	PAD, PREP. SUPERFICIE, 20.0D BERMELLÓN [CANT. 5]
1240393	PAD, ABRILLANTADOR, 20.0D, AMARILLO [CANT. 5]
9017695	LABIO, SECADOR, DELANTERO, 880L, LÁTEX [OPCIONAL]
9017694	LABIO, SECADOR, TRASERO, 900L, LÁTEX [OPCIONAL]
9017696	LABIO, SECADOR, DELANTERO, 880L, LÁTEX [OPCIONAL]
9017698	LABIO, SECADOR, TRASERO, 900L, PU [OPCIONAL]
9017699	LABIO, SECADOR, DELANTERO, 880L, LINATEX [ESTÁNDAR]
9017702	LABIO, SECADOR, TRASERO, 900L, LINATEX [ESTÁNDAR]
9017713	FILTRO, VACÍO
9017711	JUNTA, TAPA, DEPÓSITO DE AGUA SUCIA
9017712	CONJUNTO MANGUERA, AGUA SUCIA
9017686	KIT CEPILLO, CARBONO, MOTOR CEPILLO [4 UDS.]
9017687	CEPILLO, CARBONO, MOTOR VENTILADOR DE VACÍO
9018034	CEPILLO, CARBONO, MOTOR TRANSEJE
9017715	CABLE, ELEVACIÓN, SECADOR
TBFX01299	CONJUNTO MANGUERA, DESAGÜE
9017718	VÁLVULA, AGUA, SOLENOIDE, 24Vcc
9017788	RUEDA, GIRATORIA
CUVR00294	RODAMIENTO, SOPORTE [MODELO C/MOTOR TRACCIÓN]
CUVR00293	RODAMIENTO, BRIDA [MODELO C/MOTOR TRACCIÓN]
9017719	RODAMIENTO, EJE
9018584	FILTRO, AGUA, SOLUCIÓN, COMPLETO
9017725	MOTOR, CEPILLO, 24Vcc
9017716	VENTILADOR, MOTOR
897285	MOTOR, TRACCIÓN, 24V 145W
130869	BATERÍA, HÚMEDA, 12V 130AH
1053408	BATERÍA, AGM, 12VCC 140AH [OPCIONAL]
1015046	BATERÍA, HÚMEDA, 12VCC 150AH [OPCIONAL]
9017726	PLACA DE CIRCUITO, PRINCIPAL
9017798	PLACA DE CIRCUITO, PANTALLA [MODELO C/MOTOR TRACCIÓN]
897186	PLACA DE CIRCUITO, PANTALLA [MODELO TRACCIÓN ASISTIDA POR CEPILLO]
MEVR01428	FUSIBLE 2A, PLACA DE CIRCUITO PRINCIPAL
9018332	FUSIBLE 50A, PLACA DE CIRCUITO PRINCIPAL
9018333	FUSIBLE 40A, PLACA DE CIRCUITO PRINCIPAL
897301	FUSIBLE 30A, PLACA DE CIRCUITO PRINCIPAL [MODELO C/MOTOR TRACCIÓN]
9017722	PROTECTOR, ANTISALPICADURAS (OPCIONAL)
9017737	FLOTADOR, INTERRUPTOR

13. T390 – PIEZAS DE REPUESTO RECOMENDADAS

Número de Pieza	DESCRIPCIÓN
9017816	CONJUNTO CEPILLO, DISCO, SCRUB, 35CM, 3-LUG, PP
9017730	CONJUNTO CEPILLO, DISCO, SCRUB, 35CM,3-LUG, PP, BLANDO
9017820	CONJUNTO DE ARRASTRE, PAD, 35CM, 3-LUG [ESTÁNDAR]
1243656	PAD, PULIDO, 14.0D, ROJO [CANT. 5]
1243344	PAD, ABRASIVO, 14.0D, BLANCO [CANT. 5]
1243657	PAD, FREGADO, 14.0D, MARRÓN [CANT. 5]
1243658	PAD, FREGADO, 14.0D, NEGRA, ALTA PROD. [CANT. 5]
1243667	PAD, PREP. SUPERFICIE, 14.0D BERMELLÓN [CANT. 5]
1243343	PAD, ABRILLANTADOR, 14.0D, BLANCO [CANT. 5]
1240389	PAD, ABRILLANTADOR, 14.0D, AMARILLO [CANT. 5]
9017801	LABIO, SECADOR, DELANTERO, 1020L, LÁTEX [OPCIONAL]
9017804	LABIO, SECADOR, TRASERO, 1020L, LÁTEX [OPCIONAL]
9017806	LABIO, SECADOR, DELANTERO, 1020L, PU [OPCIONAL]
9017811	LABIO, SECADOR, TRASERO, 1020L, PU [OPCIONAL]
9017813	LABIO, SECADOR, DELANTERO, 1020L, LINATEX [ESTÁNDAR]
9017814	LABIO, SECADOR, TRASERO, 1020L, LINATEX [ESTÁNDAR]
9017713	FILTRO, VACÍO
9017711	JUNTA, TAPA, DEPÓSITO DE AGUA SUCIA
9017712	CONJUNTO MANGUERA, AGUA SUCIA
9017686	KIT CEPILLO, CARBONO, MOTOR CEPILLO [4 UDS.]
9017687	CEPILLO, CARBONO, MOTOR VENTILADOR DE VACÍO
9018034	CEPILLO, CARBONO, MOTOR TRANSEJE
9017715	CABLE, ELEVACIÓN, SECADOR
TBFX01299	CONJUNTO MANGUERA, DESAGÜE
9017718	VÁLVULA, AGUA, SOLENOIDE, 24Vcc
9017788	RUEDA, GIRATORIA
9017745	RODAMIENTO, RUEDA
9018584	FILTRO, AGUA, SOLUCIÓN, COMPLETO
9017792	MOTOR, CEPILLO, 24Vcc
9017716	VENTILADOR, MOTOR
897349	MOTOR DE TRACCIÓN 24V 200W 150G
1053408	BATERÍA, AGM, 12VCC 140AH
1015046	BATERÍA, HÚMEDA, 12VCC 150AH
9017726	PLACA DE CIRCUITO, PRINCIPAL
897289	TABLERO
MEVR01428	FUSIBLE 2A
9018332	FUSIBLE 50A
9018333	FUSIBLE 40A
897301	FUSIBLE 30A [MODELO C/MOTOR TRACCIÓN]
9017722	PROTECTOR, ANTISALPICADURAS (OPCIONAL)
9017737	FLOTADOR, INTERRUPTOR

Français

*(Traduction du mode d'emploi
original)*

1. TABLE DES MATIÈRES

1.	TABLE DES MATIÈRES	2
2.	INFORMATIONS GÉNÉRALES	3
2.1.	BUT DU MANUEL.....	3
2.2.	IDENTIFICATION DE LA MACHINE	4
2.3.	DOCUMENTATION JOINTE A LA MACHINE.....	4
3.	INFORMATIONS TECHNIQUES	4
3.1.	DESCRIPTION GENERALE.....	4
3.2.	LEGENDE	4
3.3.	ZONES DANGEREUSES	5
3.4.	ACCESSOIRES.....	5
4.	INFORMATIONS SUR LA SÉCURITÉ	5
4.1.	NORMES DE SECURITE.....	5
5.	MANUTENTION ET INSTALLATION	9
5.1.	LEVAGE ET TRANSPORT DE LA MACHINE EMBALLEE	9
5.2.	CONTROLES A LA LIVRAISON	9
5.3.	DEBALLAGE.....	9
5.4.	RACCORDEMENT ELECTRIQUE ET MISE A TERRE (MODELE ALIMENTE PAR CABLE)	10
5.5.	BATTERIES D'ALIMENTATION (MODELES SUR BATTERIE)	10
5.6.	LE CHARGEUR DE BATTERIE (MODELE ALIMENTE PAR BATTERIE).....	12
5.7.	LEVAGE ET TRANSPORT DE LA MACHINE.....	13
6.	GUIDE PRATIQUE POUR L'OPERATEUR	13
6.1.	COMMANDES: DESCRIPTION.....	13
6.2.	MONTAGE ET REGLAGE DU SUCEUR	14
6.3.	DEPLACEMENT DE LA MACHINE SANS LAVER.....	15
6.4.	MONTAGE ET REMPLACEMENT BROSSE / DISQUES ENTRAINEURS.....	15
6.5.	DETERGENTS: INDICATIONS POUR L'USAGE	16
6.6.	REPLISSAGE DU RESERVOIR D'EAU/DETERGENT.....	16
6.7.	PREPARATION DE LA MACHINE POUR LE TRAVAIL.....	16
6.8.	TRAVAIL	17
6.9.	CONSEILS POUR L'EMPLOI OPTIMAL DE LA MACHINE	18
6.10.	VIDANGE DE L'EAU SALE	18
6.11.	VIDANGE DE L'EAU PROPRE.....	19
7.	PÉRIODES D'INACTIVITÉ	19
8.	MAINTENANCE ET RECHARGE DES BATTERIES	19
8.1.	RECHARGE.....	20
8.2.	INSTRUCTIONS DE PARAMETRAGE DU CHARGEUR EMBARQUE	20
9.	INSTRUCTIONS POUR L'ENTRETIEN	22
9.1.	ENTRETIEN: REGLES GENERALES	22
9.2.	ENTRETIEN COURANT	22
9.3.	ENTRETIEN PERIODIQUE.....	23
9.4.	ENTRETIEN.....	25
10.	ANOMALIES, CAUSES ET REMÈDES	26
10.1.	COMMENT RESOUDRE LES ANOMALIES EVENTUELLES	26
11.	ALARMES AFFICHEES	30
12.	T290 - PIÈCES DE RECHANGE CONSEILLÉES	32
13.	T390 - PIÈCES DE RECHANGE CONSEILLÉES	33

2. INFORMATIONS GÉNÉRALES



Lire attentivement ce manuel avant d'effectuer toute intervention **sur la machine**¹.

2.1. But du manuel

Ce manuel a été rédigé par le Constructeur et fait partie intégrante de la machine.

Il définit l'usage pour lequel la machine a été conçue et il contient toutes les informations nécessaires aux opérateurs².

Outre ce manuel qui contient les informations nécessaires aux utilisateurs, d'autres notices ont été rédigées plus spécifiquement à destination des techniciens chargés de la maintenance³.

Le respect constant des indications garantit la sécurité de l'homme et de la machine, l'économie des frais de gestion, la qualité des résultats ainsi qu'une longévité accrue de la machine. Le non-respect de ces prescriptions peut entraîner des risques pour les personnes et provoquer des dommages à la machine, à la surface lavée et à l'environnement.

Pour une recherche plus rapide des sujets traités, consulter la table des matières au début du manuel.

Certaines parties de cette notice requièrent une attention particulière, elles sont mises en évidence en caractères gras et sont précédées par des symboles illustrés et définis ci-après.

! DANGER

Ce symbole indique qu'il faut faire attention afin de ne pas s'exposer à des conséquences qui pourraient entraîner la mort du personnel ou nuire à la santé.

ATTENTION

Ce symbole indique qu'il faut faire attention à ne pas s'exposer à des conséquences qui pourraient apporter des dommages à la machine et à l'environnement de travail ou bien comporter des pertes sur le plan économique.

INFORMATION

Indications très importantes.

Le Constructeur mène une politique permanente en matière de développement et de modernisation de ses produits, qui peut l'amener à apporter des modifications sans préavis.

Même si votre machine est différente des illustrations contenues dans ce document, la sécurité et les informations concernant cette machine sont garanties.

¹ La définition «machine» remplace la dénomination commerciale à laquelle se réfère ce manuel.

² Ce sont les personnes qui doivent utiliser la machine sans effectuer les interventions qui nécessitent une compétence technique précise.

³ Ce sont les personnes qui possèdent l'expérience, la préparation technique, la connaissance des lois et des normes législatives, capables d'effectuer les interventions nécessaires et en mesure de reconnaître et d'éviter les dangers possibles lors de la manutention, l'installation, l'emploi et l'entretien de la machine.

2.2. Identification de la machine

La plaquette d'immatriculation (fig. 1), indique les informations suivantes:

- code du modèle;
- modèle;
- voltage;
- puissance nominale totale;
- numéro de série (numéro de matricule);
- année de fabrication;
- poids à sec;
- pente maximale;
- code à barres avec numéro de série;
- identification du Constructeur.

2.3. Documentation jointe à la machine

- manuel d'utilisation;
- bon de garantie;
- Manuel du chargeur de batterie.

3. INFORMATIONS TECHNIQUES

3.1. Description générale

La machine en question est une autolaveuse qui peut être utilisée dans un milieu aussi bien domestique qu'industriel pour balayer, laver et sécher des sols plats, horizontaux, lisses et peu rugueux, uniformes et libres de tout encombrement. La machine est disponible en deux versions, à câble ou à batterie, afin de répondre à toutes les exigences en terme d'autonomie et de poids.

La machine distribue au sol une solution d'eau et de détergent opportunément dosée et la balaie de façon à enlever la saleté. En choisissant avec attention le détergent pour le nettoyage et les brosses (ou disques abrasifs ou rouleaux) parmi la large gamme d'accessoires, il est possible de nettoyer tout type de sol et d'enlever tout type de saleté.

Un système d'aspiration des liquides intégré à la machine permet de sécher le sol qui vient d'être lavé. Le séchage s'effectue à travers la dépression du réservoir de récupération générée par le moteur d'aspiration. Le suceur, raccordé au réservoir même, permet d'aspirer l'eau sale.

Le déplacement de la machine s'effectue par:

MODÈLE B traction mécanique: l'autolaveuse est munie d'un dispositif de traction mécanique spécial, grâce auquel le frottement entre la brosse et le sol permet de générer une poussée vers l'avant (pour toute spécification supplémentaire voir par.6.7).

MODÈLE BT traction électrique: l'autolaveuse est munie d'un dispositif de traction électromécanique, qui permet à la machine d'avancer.

3.2. Légende

Les éléments principaux de la machine sont les suivants (fig. 2):

- le réservoir de solution détergente (fig. 2, rep. 7): sert à contenir et transporter le mélange d'eau propre et du produit nécessaire au nettoyage;
- le réservoir de récupération (fig. 2, rep. 2): sert à récupérer l'eau sale aspirée sur le sol pendant le lavage;
- tableau de commande (fig. 2, rep. 1);
- groupe tête (fig. 2, rep. 4): l'élément principal est composé des brosses/rouleaux (fig. 2, rep. 5), qui distribuent la solution détergente sur le sol tout en enlevant la saleté;
- groupe suceur (autrement dit «squeegee», fig. 2, rep. 6): nettoie et sèche le sol en récupérant l'eau répandue sur celui-ci;

- pédale de relevage tête (fig. 2, rep. 3): elle permet de relever la tête de brosses pendant les déplacements.

3.3. Zones dangereuses

- A -**Groupe réservoir**: en présence de certains détergents, risque d'irritation des yeux, de la peau, des muqueuses et de l'appareil respiratoire et risque d'asphyxie. Risque dû à la saleté récupérée (germes et substances chimiques). Risque d'écrasement entre les deux réservoirs lors de la remise en place du réservoir de récupération sur le réservoir de solution.
- B -**Tableau de commande**: risque de court-circuit.
- C -**Partie basse de la tête de lavage**: risque dû à la rotation des brosses.
- D -**Roues arrière**: risque d'écrasement entre la roue et le châssis.
- E -**Coffre des batteries** (placé à côté du réservoir de solution): risque de court-circuit entre les pôles des batteries et présence d'hydrogène pendant la recharge.

3.4. Accessoires

- **Brosses en bassine**: pour le lavage des sols délicats et le lustrage;
- **Brosses en polypropylène**: pour tous les types de sols;
- **Plateaux porte-disques**: ils permettent l'emploi des disques suivants:
 - * disques jaunes: pour le lavage et le polissage des marbres et similaires;
 - * disques verts: pour le lavage des sols non délicats;
 - * disques noirs: pour le lavage à fond des sols non délicats avec saleté tenace;
- **Chargeur de batterie S.P.E. CBHD1 / CBHD1-XR-P**

4. INFORMATIONS SUR LA SÉCURITÉ

4.1. Normes de sécurité



Veillez lire attentivement ce 'Manuel d'Instructions pour l'Emploi' avant de procéder à la mise en marche, l'utilisation, l'entretien, la maintenance ou tout autre type d'intervention sur la machine.

ATTENTION

Respectez scrupuleusement toutes les indications contenues dans ce Manuel (en particulier celles liées aux symboles danger et attention) et les plaquettes de sécurité apposées directement à la machine.

Le Constructeur décline toute responsabilité pour les dommages éventuels aux personnes ou aux choses causés par le non-respect de ces prescriptions.

La machine doit être utilisée uniquement par du personnel formé à son emploi, ayant les qualités requises et expressément chargé de l'utilisation de la machine.

L'utilisation de la machine est interdite aux mineurs.

Ne pas utiliser cette machine pour d'autres usages que ceux expressément prévus. Selon le type de bâtiment dans lequel on évolue (par ex.industries pharmaceutiques, hôpitaux, industries chimiques etc.) respecter scrupuleusement les réglementations et normes de sécurité internes.

Cette machine est destinée à une utilisation commerciale, par exemple dans des hôtels, écoles, hôpitaux, usines, magasins, bureaux et service de location.

Ne pas utiliser cette machine dans des lieux insuffisamment éclairés, dans des environnements explosifs, sur des routes publiques, en présence de saleté nuisible à la santé (poussières, gaz) et dans des endroits non conformes.

La machine est destinée uniquement à une utilisation en intérieur.

La plage de température prévue pour l'utilisation de la machine est +4°C à +35°C (39.2°F and 95°F); par contre, quand la machine n'est pas utilisée, cette plage de température devient +0°C à +50°C (32°F and 122°F).

La plage d'humidité prévue pour la machine est comprise entre 0% et 95%, quelles que soient les conditions.

Attention la machine doit être conservée uniquement dans un local fermé.

Ne jamais utiliser ou aspirer de liquides inflammables ou explosifs (par exemple, essence, huile combustible, etc.), gaz inflammables, poudres sèches, acides et solvants (par exemple, diluants pour vernis, acétone, etc.) même s'ils sont dilués. Ne jamais aspirer d'objets en flammes ou incandescents.

Ne pas utiliser la machine sur les pentes ou des rampes supérieures à 2%; en cas de faibles pentes, ne pas utiliser la machine transversalement et la manœuvrer toujours avec le maximum de précautions sans faire d'inversions. En cas de rampes ou de déclivités plus élevées, utiliser la machine avec précaution afin d'éviter que celle-ci ne se renverse ou n'accélère de façon incontrôlée. Affronter les rampes et les marches uniquement avec la tête des brosses et le suceur relevés.

Ne jamais stationner la machine sur une pente.

La machine ne doit jamais être laissée sans surveillance quand le moteur est en marche. Avant de la quitter, arrêter les moteurs, bloquer la machine de façon à éviter tout mouvement intempestif et la débrancher.

Quand vous utilisez cette machine, faites attention aux tiers, en particuliers aux enfants éventuellement présents dans le lieu de travail.

Les enfants doivent être surveillés pour s'assurer qu'ils ne jouent pas avec l'appareil.

La machine n'est pas prévue pour être utilisée par des personnes (y compris les enfants) dont les capacités physiques, sensorielles ou mentales sont réduites, ou qui manquent d'expérience ou de connaissance, sauf si elles ont pu bénéficier de la surveillance ou des instructions concernant l'utilisation de la machine de la part d'une personne responsable de leur sécurité.

Ne pas utiliser la machine pour le transport de personnes/objets ou le remorquage d'objets. Ne pas tracter la machine.

Ne rien poser sur la machine.

Ne pas boucher les fentes de ventilation et d'évacuation de la chaleur.

Ne pas enlever, modifier ou ignorer les dispositifs de sécurité.

Malheureusement l'expérience a montré que certains vêtements et objets personnels peuvent provoquer des blessures graves: avant de commencer à travailler, enlever bijoux, montres, cravates etc.

Utiliser toujours les équipements de protection individuelle pour la sécurité de l'opérateur: tablier ou combinaison, chaussures antidérapantes et imperméables, gants de caoutchouc, lunettes et casque, masque pour la protection des voies respiratoires.

Ne pas mettre les mains dans les parties en mouvement.

Ne pas utiliser des détergents autres que ceux prévus et suivre les prescriptions indiquées dans les fiches de sécurité. Nous recommandons de conserver les détergents dans un endroit non accessible aux enfants. En cas de contact avec les yeux, laver tout de suite et abondamment avec de l'eau. En cas d'ingestion, consulter immédiatement un médecin.

S'assurer que les prises de courant pour l'alimentation des modèles à câble ou des chargeurs de batterie soient branchées à un réseau de terre et protégées par des interrupteurs magnétothermiques et différentiels.

S'assurer que les caractéristiques électriques de la machine (voltage, fréquence, puissance absorbée) indiquées sur la plaquette (fig. 1) soient conformes à celles du réseau de distribution. La machine alimentée par câble est équipée d'un câble à trois conducteurs et d'une prise de terre à trois contacts pour l'utilisation d'une prise de courant adéquate avec mise à terre. Le fil jaune et vert du câble est celui de terre: brancher ce fil uniquement à la borne de terre de la prise.

Il est indispensable de respecter les instructions de la Société Constructrice des batteries et de se conformer à la réglementation en vigueur. Maintenir les batteries toujours propres et sèches afin d'éviter des courants de fuite superficielle. Protéger les batteries contre les impuretés, par exemple la poussière métallique.

Ne poser aucun outil sur les batteries: risque de court-circuit et d'explosion.

Respecter scrupuleusement les consignes de sécurité quand on utilise de l'acide pour batteries.

Lors de l'utilisation de modèles à câble, faire attention à ne pas écraser ou arracher le câble d'alimentation, faire attention que la brosse rotative ne touche pas le câble d'alimentation.

Examiner le câble d'alimentation périodiquement et, s'il est endommagé, ne pas utiliser la machine et s'adresser à un centre SAV spécialisé pour le faire remplacer.

Pour la recharge des batteries, utiliser toujours le chargeur de batterie fourni avec la machine (si fourni).

En présence de champs magnétiques très élevés, évaluer l'effet possible que ceux-ci peuvent avoir sur le système électronique de commande.

Ne jamais laver la machine au jet d'eau.

Les fluides récupérés contiennent des détergents, des désinfectants, de l'eau et du matériel organique/inorganique ramassé pendant le travail: tout cela doit être éliminé conformément à la réglementation en vigueur.

En cas de panne et/ou mauvais fonctionnement de la machine, l'arrêter tout de suite (en la débranchant du réseau d'alimentation électrique ou des batteries) et ne pas la démonter. Adressez-vous à un centre d'assistance technique du Constructeur.

Toutes les opérations de maintenance doivent être effectuées dans des lieux suffisamment éclairés et seulement après avoir débranché la machine du réseau électrique (dans les modèles à câble, en débranchant la fiche de la prise électrique; dans les modèles à batterie, en débranchant les batteries).

Toutes les interventions sur l'installation électrique ainsi que les opérations de maintenance et de réparation (en particulier celles non expressément décrites dans ce manuel) doivent être effectuées uniquement par du personnel technique spécialisé et expérimenté.

En cas de remplacement du câble d'alimentation, de la fiche ou des bornes, bien fixer les connexions électriques et le fixe-câble, situé à l'intérieur du tableau de commande, de façon à éviter tout déchirement du câble. Ensuite remonter soigneusement le tableau de façon à garantir la protection du personnel chargé de l'utilisation de la machine.

N'utiliser que des accessoires et des pièces détachées d'origine, qui garantissent une sécurité et un fonctionnement optimum. Ne pas utiliser de pièces récupérées sur d'autres machines ou des pièces adaptables.

Cette machine a été conçue et fabriquée pour une durée de service de dix ans à partir de la date de fabrication indiquée sur la plaque d'identification (fig.1). Passé ce délai, même si elle n'a pas été utilisée, la machine doit être détruite selon la réglementation en vigueur dans le lieu d'utilisation:

- la machine doit être débranchée, vidée et nettoyée;
- cette machine est un déchet spécial de type DEEE et satisfait aux prescriptions des nouvelles directives pour la protection de l'environnement (2002/96/CE DEEE). Elle doit être éliminée séparément des déchets ménagers conformément aux lois et réglementations en vigueur.

Déchet spécial. Ne pas éliminer avec les déchets ménagers.

La machine peut également être remise au Constructeur pour une révision complète.

Si vous décidez de ne plus utiliser la machine, nous vous recommandons d'enlever les batteries et de les rapporter à un centre de collecte agréé.



En outre, il est recommandé de rendre inoffensives les parties de la machine susceptibles de constituer un danger, surtout pour les enfants.

5. MANUTENTION ET INSTALLATION

5.1. Levage et transport de la machine emballée

ATTENTION

Pour toutes les opérations de levage, s'assurer que la machine emballée est bien fixée afin d'éviter tout renversement ou chute accidentelle.

Le chargement/déchargement des engins de transport doit être effectué avec un éclairage approprié.

La machine, emballée sur palette en bois par le Constructeur, doit être chargée sur le véhicule de transport avec des moyens de manutention adéquats (conformément à la Directive 2006/42/CEE et modifications/intégrations suivantes).

Une fois arrivée à destination, la machine doit être déchargée à l'aide de moyens similaires.

Les suceurs sont emballés dans des cartons sans palette. Le corps machine emballé peut être soulevé uniquement à l'aide d'un chariot élévateur à fourches. Manipuler avec précautions pour éviter les chocs et ne pas renverser la machine.

5.2. Contrôles à la livraison

Au moment de la livraison par le transporteur, vérifier soigneusement que l'emballage et la machine sont intacts. Si la machine est endommagée, faire constater les dégâts au transporteur. Avant d'accepter la marchandise, se réserver la possibilité par écrit de demander le remboursement des dommages.

5.3. Déballage

ATTENTION

Pendant le déballage de la machine, l'opérateur doit être muni des équipements de protection nécessaires (gants, lunettes, etc.) afin de limiter les risques d'accident.

Déballer la machine :

- couper et éliminer les feuillards en plastique à l'aide de ciseaux ou de cisailles
- enlever le carton;
- sortir les enveloppes placées dans le logement des batteries (placé près du réservoir de solution) et en vérifier le contenu:
 - bon de garantie;
 - manuel d'instructions pour l'utilisation et la maintenance;
 - barres pontage batteries à bornes (modèle à batterie uniquement)
 - 1 connecteur pour le chargeur de batterie (modèle à batterie uniquement);
- selon le modèle, enlever les brides métalliques ou bien couper les feuillards en plastique qui fixent le châssis de la machine à la palette;
- faire descendre la machine de la palette en la poussant vers l'arrière sur un plan incliné;
- sortir les brosses et le suceur de leurs emballages;
- nettoyer l'extérieur de la machine en respectant les normes de sécurité;
- lorsque la machine est déballée, il est possible d'installer les batteries (modèle à batterie) ou d'effectuer les raccordements électriques (modèle à câble), voir les paragraphes spécifiques.

Si nécessaire, garder l'emballage, car il peut être réutilisé pour protéger la machine en cas de changement de site ou d'expédition aux ateliers de réparation.

Dans le cas contraire, il doit être éliminé conformément aux lois en vigueur.

5.4. Raccordement électrique et mise à terre (modèle alimenté par câble)

Les caractéristiques électriques de la machine sont indiquées sur la plaquette d'immatriculation de la machine (fig. 1): s'assurer que la fréquence et la tension correspondent à celles de l'installation électrique de l'endroit où on travaille. En ce qui concerne la tension, les modèles indiquant sur la plaquette la valeur 230 V peuvent être utilisés pour des voltages de 220 à 240 V. De même les modèles indiquant 115 V, peuvent être utilisés avec des tensions de 110 à 120 V. Par contre la fréquence indiquée sur la plaquette doit être la même que celle du réseau.

ATTENTION

S'assurer que l'installation électrique est bien reliée à la terre et que les prises (et les adaptateurs éventuellement utilisés) garantissent la continuité de terre.

! DANGER

Le non-respect de ces prescriptions peut entraîner des dommages graves aux personnes et aux choses et l'annulation de la garantie.

5.5. Batteries d'alimentation (modèles sur batterie)

Deux types de batteries peuvent être installés sur ces machines:

- **batteries à plaques tubulaires:** ces batteries nécessitent d'un contrôle périodique du niveau de l'électrolyte. Si nécessaire, remplir uniquement avec de l'eau distillée jusqu'à recouvrir les plaques; veillez à ne pas déborder (pas plus de 5 mm. au-dessus des plaques).
- **batteries gel:** ce type de batterie ne nécessite pas de maintenance.

Les caractéristiques techniques doivent correspondre à celles indiquées au paragraphe concernant les données techniques de la machine. En effet, l'emploi d'accumulateurs plus lourds peut compromettre sérieusement la manœuvrabilité de la machine et entraîner une surchauffe du moteur de la brosse. Au contraire, l'emploi d'accumulateurs moins lourds et ayant une plus faible capacité exige des recharges plus fréquentes.

Les batteries doivent être maintenues en charge, sèches, propres et avoir les connexions bien serrées.

INFORMATION

Suivre les instructions suivantes pour configurer, sur le logiciel de la machine, le type de batterie installée :

Version traction mécanique (B):

- allumer la machine en appuyant sur le bouton (fig. 5, rep. 3), attendre 5 secondes, vérifier que l'écran s'allume.
- appuyer simultanément sur les boutons brosse (fig. 5, rep. 3) et le bouton aspiration (fig. 5, rep. 2) pendant au moins 5 secondes pour accéder au menu configuration type batterie installée.
- Appuyer sur le bouton aspiration (fig. 5, rep. 2), sélectionner le type de batterie installée sur la machine "ACd" pour batterie acide (batteries à plaques tubulaires) ou "GEL" (batteries GEL).
- Appuyez simultanément sur les boutons (fig. 5 réf. 2) et (fig. 5 réf. 3) pendant au moins 5 secondes, pour enregistrer les modifications et quitter..

Version traction électrique (BT): dans le logiciel de la machine configurer le type de batteries installées, en procédant dans l'ordre suivant:

- mettre la machine en marche en tournant la clé du bouton d'arrêt d'urgence (fig. 5, rep. 15), attendre 5 secondes, vérifier que l'écran s'allume.

- appuyer simultanément sur les boutons brosse (fig. 5, rep. 3) et le bouton aspiration (fig. 5, rep. 2) pendant au moins 5 secondes pour accéder au menu configuration type batterie installée.
- Appuyer sur le bouton aspiration (fig. 5, rep. 2), sélectionner le type de batterie installée sur la machine "ACd" pour batterie acide (batteries à plaques tubulaires) ou "GEL" (batteries GEL).
- Appuyez simultanément sur les boutons (fig. 5 réf. 2) et (fig. 5 réf. 3) pendant au moins 5 secondes, pour enregistrer les modifications et quitter.

5.5.1. Batteries: préparation

! DANGER

Pendant l'installation ou la maintenance des batteries, l'opérateur doit être muni des équipements de protection nécessaires (gants, lunettes, combinaison, etc.) pour limiter le risque d'accidents, s'éloigner de toute flamme nue, ne pas court-circuiter les pôles des batteries, ne pas provoquer d'étincelles, ni fumer.

Les batteries sont normalement livrées remplies d'acide et prêtes à l'emploi.

Si on utilise des batteries chargées sèches, avant de les monter sur la machine il est nécessaire d'effectuer les opérations suivantes:

- après avoir enlevé les bouchons des batteries, remplir tous les éléments avec une solution d'acide sulfurique spécifique jusqu'à recouvrir complètement les plaques (passer sur chaque élément au moins deux fois);
- laisser reposer 4 à 5 heures afin de donner aux bulles d'air le temps de remonter en surface et aux plaques le temps d'absorber l'électrolyte;
- s'assurer que l'électrolyte recouvre les plaques; si ce n'est pas le cas ajouter de l'acide;
- refermer les bouchons
- monter les accumulateurs sur la machine (voir plus loin).

Recharger la batterie avant de mettre la machine en marche. Voir paragraphe spécifique.

5.5.2. Batteries: installation et raccordement

! DANGER

Vérifiez que tous les interrupteurs du tableau de commande soient en position «0» (éteint).

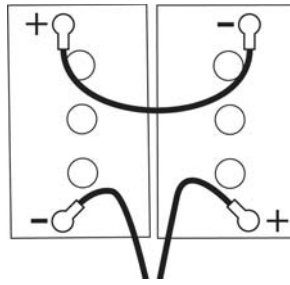
Faire attention à raccorder les cosses avec le symbole "+" sur les pôles positifs. Ne pas contrôler la charge des batteries avec des outils générant des étincelles.

Respecter scrupuleusement les indications mentionnées ci-dessous, car un court-circuit peut faire exploser les batteries.

- S'assurer que les deux réservoirs sont vides (sinon les vider, voir paragraphe spécifique).
- Séparer le réservoir de récupération (fig. 2, rep. 2) du réservoir de solution (fig. 2, rep. 7), en tirant le crochet de déblocage (fig. 3, rep. 1)
- Soulever le réservoir de récupération, en le faisant basculer vers l'arrière de 90° environ: on peut ainsi accéder par le haut au coffre des batteries (placé près du réservoir de solution).
- Insérer les batteries dans le coffre en les orientant comme indiqué sur le dessin, à l'intérieur de celui-ci, sur le réservoir de solution.

ATTENTION

Monter les accumulateurs sur la machine à l'aide d'engins adaptés à leurs poids. Les diamètres des pôles positif et négatif sont différents.



- En se reportant à la disposition des câbles indiquée sur le dessin ci-dessus mentionné, brancher les cosses du câblage des batteries et de la barre de pontage aux pôles des accumulateurs.
Après avoir orienté les câbles comme indiqué sur le dessin, serrer les cosses sur les pôles et les recouvrir avec de la vaseline.
- Abaisser le bac de récupération en position de travail et le fixer sur le réservoir de la solution.
- Utiliser la machine conformément aux instructions ci-dessous.

5.5.3. Batteries: dépose

! DANGER

Lors de la dépose des batteries l'opérateur doit être muni des équipements de protection personnelle (gants, lunettes, combinaison, chaussures de sécurité etc.) nécessaires pour limiter les risques d'accident; vérifier que tous les interrupteurs sur le panneau de commandes sont sur "0" (éteint) et que la machine est éteinte, s'éloigner de toute flamme nue, ne pas court-circuiter les pôles des batteries, ne pas provoquer d'étincelles, ne pas fumer, et procéder comme suit:

- débrancher les cosses du câblage batteries et du pont, des pôles des batteries.
- retirer si nécessaire les dispositifs de fixation des batteries sur le bâti de la machine.
- sortir les batteries du coffre à l'aide de moyens de manutention adaptés.

5.6. Le chargeur de batterie (modèle alimenté par batterie)

ATTENTION

Éviter toute décharge excessive des batteries car cela pourrait les endommager irrémédiablement.

5.6.1. Choix du chargeur de batterie

Vérifier que le chargeur de batterie soit compatible avec les batteries à charger:

- **batteries tubulaires au plomb**: il est conseillé d'utiliser un chargeur de batterie automatique 24V - 20 A. Consulter toutefois le constructeur et le manuel du chargeur de batterie pour confirmer le choix.
- **batteries gel**: utiliser un chargeur de batterie spécifique pour ce type d'accumulateurs.

5.6.2. Préparation du chargeur de batterie

Si on utilise un chargeur de batterie non fourni avec la machine, il est nécessaire de monter sur celui-ci le connecteur livré avec la machine (voir le paragraphe «Déballage» de ce manuel).

Le connecteur fourni pour le chargeur de batteries extérieur est conçu pour des câbles d'une section minimum de 4 mm².

Pour installer le connecteur:

- dénuder les câbles rouge et noir du chargeur de batterie sur 13 mm environ;
- insérer les câbles dans les bornes du connecteur et serrer à l'aide de pinces spéciales;

- insérer les câbles dans le connecteur en respectant les polarités (câble rouge +, câble noir -).

5.7. Levage et transport de la machine

ATTENTION

**Toutes les opérations doivent être effectuées dans des lieux bien éclairés et en adoptant les mesures de sécurité les plus appropriées à la situation.
Utiliser un équipement de protection individuelle approprié.**

Pour charger la machine sur un engin de transport:

- vider le réservoir de récupération et le réservoir de la solution;
- démonter le suceur et les brosses ou les disques entraînés;
- retirer les batteries;
- placer la machine sur la palette en la fixant avec des feuillards de plastique ou avec les brides métalliques prévues à cet effet;
- soulever la palette (avec la machine) à l'aide d'un chariot élévateur à fourches et la charger sur l'engin de transport;
- fixer la machine au moyen de transport avec des cordes attachées à la palette et à la machine.

6. GUIDE PRATIQUE POUR L'OPERATEUR

6.1. Commandes: description

Comme le montre la fig. 5, les commandes et les témoins de la machine sont les suivants:

- **Témoin de charge des batteries** (fig. 5, rep. 1): 3 leds de couleur rouge, jaune et verte indiquent le niveau de la charge de la batterie. Les situations possibles sont:
 - a) led verte allumée: de 100% à 50% de charge;
 - b) led jaune allumée: de 50% à 18% de charge;
 - c) **led rouge allumée**: batteries presque déchargées;
 - d) **led rouge clignotante**: batteries complètement déchargées; après quelques secondes le blocage des brosses intervient et le voyant de l'interrupteur brosse s'allume;
- **Interrupteur général - bouton d'arrêt d'urgence à clé** (fig. 5, rep. 15 **modèles BT à traction électrique**): active et désactive l'alimentation électrique de toutes les fonctions de la machine. Fait fonction de dispositif de sécurité. Pour démarrer la machine, tourner la clé dans le sens des aiguilles d'une montre. Pour arrêter la machine, appuyer sur le bouton.
- **Interrupteur général** (fig. 5, rep. 3 **modèles B à traction mécanique**): active et désactive l'alimentation électrique de toutes les fonctions de la machine. Pour démarrer la machine appuyer sur le bouton. Pour arrêter la machine, appuyer sur le bouton.
- **Bouton brosse avec voyant lumineux** (fig. 5, rep. 3 – tous les modèles): active ("led allumée") et désactive ("led éteinte") le fonctionnement de la brosse et de l'aspirateur:
- **Bouton aspiration avec voyant lumineux** (fig. 5, rep. 2): met en marche ("led allumée") et arrête ("led éteinte") le moteur d'aspiration, qui permet de sécher le sol Le voyant est allumé quand l'aspirateur est en marche.
- **Boutons Réglage débit solution** (fig. 5, rep. 18): permet de régler en continu le débit de solution qui s'écoule au niveau des brosses, la quantité de liquide est indiquée par des leds (fig. 5, rep. 20).

Appuyer sur le bouton pendant au moins 2 secondes pour activer/désactiver le débit.

Sur cette machine il est possible de régler le débit manuellement, en appuyant par impulsions sur le bouton réglage de débit solution (fig. 5, rep. 18), ou automatiquement

(uniquement modèles BT à traction électrique), la machine règle le débit en fonction de la vitesse d'utilisation. Suivre les instructions suivantes pour configurer le type de débit sur le logiciel de la machine:

- allumer la machine, attendre 5 secondes, vérifier que l'écran s'allume.
 - appuyer simultanément sur les boutons brosse (fig. 5, rep. 3) et le bouton aspiration (fig. 5, rep. 2) pendant au moins 5 secondes pour accéder au menu configuration type batterie installée.
 - appuyer sur le bouton brosse (fig.5, rep. 3) pour accéder au menu réglage eau ("MAN" ou "AUT" s'affiche).
 - appuyer à plusieurs reprises sur le bouton aspiration (fig. 5, rep 2) pour sélectionner le mode de fonctionnement "MAN" (manuel) ou "AUT" (automatique).
 - appuyer sur le bouton d'arrêt d'urgence ou le bouton brosse pour mémoriser le paramètre affiché.
- **Levier de commande traction** (fig. 5, rep. 7): le levier de commande traction permet le déplacement de la machine et la rotation des brosses.
 - **Levier relevage suceur** (fig. 5, rep. 8): il permet de relever (s'il est abaissé) et d'abaisser (s'il est relevé) le suceur.
 - **Molette de réglage direction** (fig. 5, rep. 10): permet de corriger la direction si la machine a tendance à dévier de l'avancement rectiligne.
 - **Pédale de descente/montée de la tête** (fig. 5, rep. 9): elle est placée sur le côté gauche de la machine, quand on appuie dessus, elle permet de descendre/monter la tête-brosses.
 - **Indicateur de niveau du réservoir de solution** (fig. 5, rep. 5): quand il n'y a plus assez d'eau dans le réservoir de solution, la led s'allume.
 - **Indicateur de niveau du réservoir de récupération** (fig. 5, rep. 4): quand le réservoir de récupération est plein, la led s'allume et au bout de quelques secondes le moteur d'aspiration s'arrête.
 - **Afficheur**: affiche les alarmes et les menus de la machine. Les chiffres qui s'affichent sur l'écran pendant le fonctionnement normal de la machine correspondent au compteur horaire (temps total de fonctionnement effectif de la machine).
 - **Sélecteur sens de marche** (fig. 5, rep. 13 – modèles BT à traction électrique), permet de choisir la marche avant ou la marche arrière.
 - **Potentiomètre régulation vitesse** (fig. 5, rep. 11 – modèles BT à traction électrique), permet de régler la vitesse maximale de la machine

6.2. Montage et réglage du suceur

Le suceur (fig. 6) est le dispositif chargé du séchage.

Pour monter le suceur sur la machine:

- vérifier que le support (fig. 6, rep. 2) du suceur soit soulevé; au cas contraire, le soulever à l'aide du levier prévu à cet effet (fig. 5, rep. 8);
- insérer à fond le raccord du tuyau d'aspiration (fig. 6, rep. 4) dans le suceur;
- desserrer les deux molettes (fig. 6, rep. 3) placées au centre du suceur;
- introduire les deux pivot filetés dans les fentes du support (fig. 6, rep. 2);
- fixer le suceur en serrant les deux molettes (fig. 6, rep. 3).

Les lames du suceur détachent la pellicule d'eau et de détergent qui recouvre le sol afin de permettre un séchage parfait. A la longue, le frottement arrondit et fissure la partie de la lame en contact avec le sol, ce qui diminue l'efficacité du séchage et rend nécessaire le remplacement de la lame. Il est donc impératif de contrôler souvent l'usure de la lame.

Pour obtenir un séchage parfait, il faut régler le suceur de façon à ce que, pendant le travail, le bord de la lame arrière soit incliné de 45° environ par rapport au sol sur toute sa longueur. Il est possible de régler l'inclinaison des lames en agissant sur la vis (fig. 6, rep.

1), il est également possible de régler la hauteur du suceur en agissant sur la vis (fig. 6, rep. 5).

6.3. Déplacement de la machine sans laver

Pour déplacer la machine effectuer les actions suivantes:

- relever le suceur;
- pousser vers le bas puis vers la droite la pédale de déplacement tête (fig. 5, rep. 9) pour relever la tête;
- la déplacer comme suit:
 - **Versions à traction mécanique**: pousser ou tirer;
 - **Versions à traction électrique**: pour la marche avant, actionner le sélecteur (fig. 5, rep. 13), et actionner ensuite le levier de traction (fig. 5, rep. 7); pour la marche arrière, actionner le sélecteur (fig. 5, rep. 13), puis actionner le levier de traction (fig. 5, rep. 7);
modifier la vitesse d'avancement au moyen de la manette du potentiomètre (fig. 5, rep. 11);
- arrivé à destination, pour descendre la tête appuyer sur la pédale de déblocage en la poussant vers la gauche (fig. 5, rep. 9) et ensuite la relâcher;

ATTENTION

Ne jamais laisser la machine sans surveillance ou garée avec la tête relevée ou avec la clé insérée

6.4. Montage et remplacement brosse / disques entraîneurs

ATTENTION

N'utiliser la machine que si les brosses, rouleaux ou les plateaux porte-disques sont parfaitement installés.

Montage brosse (modèles 1 brosse): poser la brosse sur le sol devant la machine et la centrer par rapport au carter. Abaisser la tête et actionner le levier de commande brosse/traction (fig. 5, rep. 7) à plusieurs reprises: la brosse s'enclenche automatiquement sur le moyeu. Si elle ne s'enclenche pas, appuyer de nouveau sur la poignée, centrer la brosse et actionner le levier de commande brosse/traction comme décrit précédemment. Utilisation de disques abrasifs/microfibre: installer le disque abrasif/microfibre sur le plateau porte-disque et effectuer les opérations décrites pour le montage de la brosse sur l'autolaveuse.

Démontage brosse (modèles 1 brosse) (ou plateau porte-disques) effectuer l'opération suivante:

relever la tête de la machine en appuyant sur la pédale de relevage tête et en la poussant vers la droite (fig. 5, rep. 9) actionner à plusieurs reprises le levier de commande brosse/traction pendant quelques secondes. Au bout de quelques impulsions la brosse (les brosses) (ou le plateau porte-disque) se décroche et tombe à terre.

! DANGER

Ces opérations doivent être réalisées machine éteinte.

Montage des brosses (modèles à 2 brosses) :

Relever la tête de la machine en appuyant sur la pédale de relevage tête puis en la poussant vers la droite (fig. 5, rep. 9).

Placer les brosses sous le plateau entraîneur de la tête.

Soulever la brosse droite avec les mains et la tourner dans le sens des aiguilles d'une montre en la bloquant sur le plateau, soulever la brosse gauche avec les mains et la tourner dans le sens inverse des aiguilles d'une montre pour la bloquer.

Utilisation de disques abrasifs: monter le disque abrasif sur le plateau puis procéder comme pour le montage de la brosse sur l'autolaveuse.

Démontage brosses (modèles à 2 brosses) effectuer le manœuvre suivante:

relever la tête de la machine en appuyant sur la pédale de relevage tête et en la poussant vers la droite (fig. 5, rep. 9), tourner dans le sens inverse des aiguilles d'une montre la brosse droite pour la débloquent du plateau, tourner la brosse gauche dans le sens des aiguilles d'une montre pour la débloquent.

6.5. Détergents: Indications pour l'usage

ATTENTION

Diluer toujours les détergents selon les indications du fournisseur. Ne pas utiliser d'hypochlorite de sodium (eau de javel) ou d'autres oxydants, surtout en concentrations élevées. Ne pas utiliser de solvants ou hydrocarbures. La température de l'eau et du détergent ne doit pas être supérieure à la température maximale indiquée dans les données techniques. En outre, eau et détergent ne doivent pas contenir de sable et/ou d'impuretés.

La machine a été conçue pour être utilisée avec des détergents non moussants et biodégradables, spécifiques pour autolaveuses.

Contactez le constructeur pour avoir une liste complète et à jour des détergents et des produits chimiques disponibles.

Utiliser exclusivement des détergents adaptés au sol à nettoyer et à la saleté à éliminer.

Suivre les normes de sécurité relatives à l'utilisation des détergents indiquées dans le paragraphe «Normes de sécurité».

6.6. Remplissage du réservoir d'eau/détergent

Avant de remplir le réservoir d'eau/détergent, dévisser le bouchon (fig. 2, rep. 8) et ouvrir le robinet (fig. 2, rep. 9) du tuyau (fig. 2, rep. 10). Cette opération permettra la sortie de l'air du tuyau/réservoir et permettra de contrôler le niveau de l'eau/détergent à l'intérieur du réservoir durant l'opération de remplissage directement depuis le tuyau visible.

Remplir, à travers l'ouverture frontale spécifique, le réservoir (fig. 2, rep. 7) avec de l'eau propre et un détergent non moussant en concentration adaptée : laisser au moins 5 cm entre la surface du liquide et l'embouchure du réservoir. Une fois l'opération terminée, fermer le robinet (fig. 2, rep. 9) et revisser le bouchon (fig. 2, rep. 8).

6.7. Préparation de la machine pour le travail

ATTENTION

Avant de commencer le travail, mettre une combinaison, des protections auditives, des chaussures antidérapantes et imperméables, un masque, des gants et tout autre équipement de protection indiqué par le fournisseur du détergent utilisé ou exigé par la situation.

Effectuer les opérations suivantes avant de commencer le travail:

- contrôler le niveau de charge des batteries (les recharger si nécessaire);
- faire descendre la tête au moyen de la pédale spécifique (fig. 5, rep. 9);
- s'assurer que le réservoir de récupération (fig. 2, rep. 2) soit vide; si ce n'est pas le cas, le vider;
- remplir le réservoir eau/détergent;
- monter les brosses ou les plateaux porte-disque ou rouleaux adaptés au sol et au travail à effectuer (voir paragraphe 3.4);

- vérifier que le suceur (fig. 2, rep. 6) soit bien fixé, branché sur le tuyau d'aspiration (fig. 6, rep. 4); s'assurer que la lame postérieure ne soit pas usée.

INFORMATION

Si on utilise la machine pour la première fois, il est conseillé d'effectuer une brève période d'essai sur une vaste surface sans obstacles afin d'acquérir l'habileté nécessaire.

Il faut toujours vider le réservoir de récupération avant de remplir à nouveau le réservoir de solution.

Pour un nettoyage efficace et une longue vie utile de l'appareil, il faut suivre quelques règles:

- préparer la surface de travail en retirant tous les obstacles;
- commencer le travail à partir de l'endroit le plus éloigné afin de ne pas repasser sur la surface qui vient d'être nettoyée;
- choisir des parcours les plus droits possibles;
- en cas de grandes surfaces, diviser le parcours en zones rectangulaires et parallèles entre elles.

À la fin du travail, si nécessaire, passer rapidement un « mop » ou une serpillière pour nettoyer les endroits non accessibles par l'autolaveuse.

6.8. Travail

Après avoir préparé la machine, effectuer les opérations suivantes.

- Abaisser le suceur à l'aide du levier (fig. 5, rep. 8);
- appuyer sur le bouton brosse (fig. 5, rep. 3); l'aspirateur s'allume automatiquement.
- appuyer sur le bouton aspirateur (fig. 5, rep. 2), pour désactiver l'aspiration du détergent;
- Appuyer sur le levier de commande traction/brosse (fig. 5, rep. 7)
- Modèles à traction mécanique: quand le moteur brosse est activé et qu'on tire le levier de traction, le moteur se met en route et fait tourner la brosse ce qui fait avancer la machine. Le dispositif de traction mécanique utilise le frottement entre la brosse et le sol pour générer une poussée en avant, par conséquent lorsqu'on relâche le levier de traction mécanique, le moteur brosse s'éteint et la machine s'arrête.
Si nécessaire, agir sur la molette de réglage direction (fig. 5, rep. 10) si la machine a tendance à dévier de l'avancement rectiligne: si la machine tend vers la droite tourner la molette dans le sens des aiguilles d'une montre et vice-versa;
- Modèles à traction électrique: pour avancer ou reculer voir paragraphe 6.3.

contrôler régulièrement que la solution détergente arrive bien jusqu'aux brosses et remplir le réservoir quand la solution est terminée; quand il n'y a plus assez d'eau dans le réservoir de solution l'indicateur de niveau correspondant s'allume (fig. 5, rep. 5): il faut s'arrêter et remplir le réservoir;

au cours du nettoyage vérifier la qualité du lavage et régler le débit du liquide à l'aide du bouton (fig.5, rep. 18), le débit est indiqué par le nombre de led allumées (fig. 5. rep. 20).

ATTENTION

Vider toujours le réservoir de récupération lorsqu'on remplit le réservoir de solution.

Ne pas stationner avec l'aspirateur en marche et le robinet de solution ouvert.

- si le réservoir de récupération est plein, l'indicateur de niveau correspondant s'allume (fig. 5 rep. 4) et le moteur d'aspiration est bloqué au bout de quelques secondes: il faut s'arrêter et vider le réservoir.
- si le témoin (fig. 5, rep. 1) commence à clignoter, cela signifie que les batteries sont presque déchargées. Au bout de quelques secondes les brosses se bloquent pour empêcher une décharge excessive. Les recharger.

À la fin du travail:

- relâcher le levier de la brosse/traction (fig. 5, rep. 7) situé sous le manche: le moteur de la brosse/traction et la machine s'arrêtent;
- arrêter la brosse (fig. 5, rep. 3) en appuyant sur le bouton
- soulever le suceur en levant le levier (fig. 5, rep. 8) pour éviter que la pression continue ne déforme les lames de séchage;
- enlever les brosses (ou les plateaux porte-disques) pour éviter qu'ils ne se déforment irrémédiablement;
- vider et nettoyer le réservoir de récupération.

6.9. Conseils pour l'emploi optimal de la machine

Si le sol est particulièrement sale, il est conseillé d'effectuer le lavage et le séchage en deux temps différents.

6.9.1. Prélavage avec les brosses ou un pad

- régler le débit de solution ;
- appuyer sur le bouton brosse (fig. 5, rep. 3);
- faire descendre la tête;
- actionner le levier traction pour permettre la rotation des brosses;
- contrôler que l'aspirateur est éteint et que le suceur est soulevé;
- commencer le nettoyage.

Le débit de l'eau doit être dosé selon la vitesse voulue par l'opérateur. Plus la machine avance lentement moins le débit d'eau devra être important.

Insister aux endroits les plus sales: l'action chimique du détergent et l'action mécanique des brosses seront ainsi plus efficaces.

6.9.2. Séchage

Baisser le suceur et repasser sur la surface précédemment lavée avec l'aspirateur en fonction. On obtient ainsi un résultat identique à un nettoyage à fond et l'on abrègera considérablement les opérations suivantes de maintenance ordinaire.

Pour laver et sécher au même temps, actionner simultanément les brosses, l'eau, le suceur et le moteur d'aspiration.

6.10. Vidange de l'eau sale

! DANGER

**Porter des équipements de protection individuelle adaptés à l'opération à effectuer.
Vider le réservoir uniquement après avoir débranché la machine.**

Le tuyau de vidange du réservoir de récupération se trouve à l'arrière gauche de la machine.

Pour vider le réservoir:

- placer la machine à proximité d'un puisard de vidange;
- sortir le tuyau de vidange (fig. 7, rep. 2) de son logement en le prenant du côté du ressort de fixation (fig. 7, rep. 3) et le tirer horizontalement;
- en maintenant l'extrémité du tuyau le plus haut possible, dévisser le bouchon (fig. 7, rep. 4) et le retirer;
- abaisser graduellement l'extrémité du tuyau, tout en contrôlant la puissance du jet en réglant sa hauteur par rapport au sol;
- vérifier la quantité de saleté présente dans le réservoir de récupération et, si nécessaire, le laver. Pour faciliter le nettoyage et la vidange complète, il est conseillé de le décrocher du réservoir de la solution et de le soulever;
- lorsqu'il est vide abaisser le réservoir de récupération et le fixer au réservoir de solution;

- remettre le bouchon (fig. 7, rep. 4) sur le tuyau de vidange (fig. 7, rep. 2) le visser et remettre le tuyau en place.

ATTENTION

Pendant le lavage du réservoir de récupération ne jamais enlever le filtre aspiration (fig. 9, rep. 2) de son logement et ne jamais diriger le jet d'eau contre le filtre.

On peut maintenant passer à une nouvelle action de lavage et séchage.

6.11. Vidange de l'eau propre

! DANGER

Porter des équipements de protection individuelle adaptés à l'opération à effectuer.

Pour vider le réservoir de solution détergente :

- placer la machine à proximité d'un puisard de vidange;
- débrancher le tuyau (fig. 8, rep. 1) de son logement et dévisser le bouchon (fig. 8, rep. 2).
- abaisser le tuyau, puis ouvrir le robinet (Fig. 8, rep. 3) pour vider le réservoir.

INFORMATION

La solution d'eau et détergent peut être utilisée pour laver le réservoir de récupération.

7. PÉRIODES D'INACTIVITÉ

Si on n'utilise pas la machine, le suceur et les brosses (ou les plateaux porte-disques) doivent être démontés, lavés et placés dans un endroit sec, de préférence emballés dans un sachet ou une feuille de matière plastique, à l'abri de la poussière. Stationner la machine tête abaissée.

S'assurer que les réservoirs sont complètement vides et parfaitement propres.

Débrancher la machine du secteur.

Recharger complètement les batteries avant de les stocker. Si la machine n'est pas utilisée pendant une longue période, recharger la batterie régulièrement (au moins tous les deux mois) pour maintenir sa capacité maximale.

ATTENTION

Si l'on ne recharge pas périodiquement les accumulateurs, ceux-ci risquent de s'endommager de manière irréversible.

8. MAINTENANCE ET RECHARGE DES BATTERIES

! DANGER

Ne pas contrôler les batteries avec des outils générant des étincelles.

Les batteries dégagent des vapeurs inflammables: éteindre tout feu ou braise avant de vérifier les batteries ou d'ajouter du liquide.

Effectuer les opérations suivantes dans des lieux aérés.

Afin d'éviter des dommages permanents aux batteries, ne jamais les décharger complètement.

Recharger les batteries quand le témoin rouge (fig. 5, rep. 1) du tableau de commande clignote.

8.1. Recharge

- brancher le connecteur du chargeur de batterie à celui du câblage des batteries (fig. 4, rep. 1);

ATTENTION

En fonction du type de batterie que vous choisissez d'installer, assurez-vous de programmer le chargeur de batterie fourni avec le réglage de batterie approprié.

- recharger suivant les indications du manuel du chargeur de batterie;
- lorsque la recharge est terminée, débrancher les connecteurs;
- rebrancher le connecteur du câblage de la batterie à celui de la machine.

8.2. Instructions de paramétrage du chargeur embarqué

i INFORMATIONS

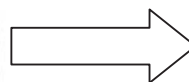
Pour les machines expédiées avec des batteries préinstallées, le chargeur de batterie et les paramètres de la batterie de la machine sont réglés en usine. La machine est prête à l'utilisation.

IMPORTANT

IMPORTANT : Pour les machines expédiées sans batteries, la machine et le chargeur de batterie sont réglés en usine pour des batteries au plomb-acide humide par défaut. Si vous choisissez d'installer un autre type de batterie, le réglage du chargeur DOIT être modifié comme décrit ci-dessous. Le non-respect de ces instructions peut entraîner la détérioration de la batterie. Selon la sélection du type de batterie (plomb-acide humide ou gel/AGM scellée), la sélection de la batterie de la machine DOIT également être modifiée. Voir l'étiquette accrochée à la machine pour les instructions de paramétrage de la batterie de la machine ou reportez-vous à la section *5.5 Batteries d'alimentation (modèles sur batterie)*.

Paramétrage	Description de la batterie
0	WUla Generic Acid (PAR DÉFAUT)
1	WU00 GEL/AGM Generic
2	WUla GEL « Exide Sonnenschien »
3	WUla AGM « Discover »
4	WUla Generic Acid TCL
5	WU00 GEL/AGM Generic TCL
6	WUla GEL « Exide Sonnenschien » TCL
7	Ne pas utiliser

EMPLACEMENT DU COMMUTATEUR ROTATIF, SOULEVER LE BOUCHON



9. INSTRUCTIONS POUR L'ENTRETIEN

! DANGER

Avant toute opération d'entretien débrancher impérativement les batteries.
Les opérations concernant l'installation électrique et, dans tous les cas, toutes les opérations non décrites explicitement dans ce manuel, doivent être effectuées par des techniciens spécialisés, conformément aux normes de sécurité en vigueur et aux indications du manuel pour la maintenance.

9.1. Entretien: règles générales

Un entretien régulier, conformément aux indications du Constructeur, est garant d'un parfait fonctionnement de la machine et de sa longévité.

Lors du nettoyage de la machine il est recommandé de prendre les précautions suivantes:

- Ne pas utiliser de nettoyeurs haute pression, de l'eau pourrait entrer à l'intérieur du coffret électrique ou des moteurs et les endommager ou provoquer un court-circuit;
- ne pas utiliser de vapeur, la chaleur pourrait déformer les pièces en plastique;
- ne pas utiliser de solvants ou d'hydrocarbures, cela pourrait endommager les capots et les pièces en caoutchouc.

9.2. Entretien courant

9.2.1 *Filtre à air aspirateur et flotteur: nettoyage*

- Dévisser et enlever le bouchon (fig. 9, rep. 1) du réservoir de récupération (fig. 9, rep. 4);
- s'assurer que le réservoir de récupération (fig. 9, rep. 4) est vide;
- nettoyer le flotteur (fig. 9, rep. 5) placé à l'arrière du réservoir de récupération en faisant attention à ne pas diriger le jet d'eau directement sur le flotteur;
- retirer le filtre air aspirateur (fig. 9, rep. 2) du support flotteur (fig. 9, rep. 3) situé en haut à l'intérieur du réservoir de récupération;
- nettoyer le filtre à l'eau courante ou avec le détergent utilisé pour la machine;
- remettre le filtre sur le support, après l'avoir bien séché. S'assurer qu'il est bien en place dans son logement;
- revisser le bouchon sur le réservoir de récupération.

9.2.2 *Filtre à panier: nettoyage*

- Extraire le filtre à panier de l'orifice de remplissage eau à l'avant de la machine;
- nettoyer le filtre à l'eau courante ou avec le détergent utilisé pour la machine;
- remettre le filtre dans son support, vérifier de l'avoir placé correctement dans son logement.

9.2.3 *Filtre solution détergente: nettoyage*

- dévisser le couvercle (fig. 10, rep. 1) situé sous le réservoir inférieur ;
- retirer le filtre solution détergente (fig. 10, rep. 2) ;
- nettoyer le filtre à l'eau courante ou avec le détergent utilisé pour la machine;
- remettre le filtre sur son support et vérifier qu'il est bien en place dans son logement; puis revisser le couvercle.

9.2.4 *Lames du suceur: remplacement*

Les lames du suceur détachent le film d'eau et de détergent pour permettre un séchage parfait. A la longue, le frottement continu arrondit et abîme la partie en contact avec le sol, le séchage est moins efficace et la lame doit être remplacée.

Inversion ou remplacement des lames:

- abaisser le suceur à l'aide du levier (fig. 5, rep. 8);
- retirer le suceur (fig. 2, rep. 6) de son support (fig. 6, rep. 2), après avoir dévissé complètement les deux molettes (fig. 6, rep. 3);
- retirer le raccord du tuyau d'aspiration (fig. 6, rep. 4) du suceur;
- Déverrouiller le crochet (fig. 11, rep. 1).
- Pousser vers l'extérieur les deux premiers serre-lames (fig. 11, rep. 2) puis les retirer.
- Retirer la lame.
- Remonter la même lame en inversant la face en contact avec le sol jusqu'à user les quatre faces ou monter une nouvelle lame en l'encastrant dans les tétons placés sur le corps suceur.
- Remettre les deux serre-lames en plaçant la partie la plus large des boutonnières sur les tétons de fixation du groupe suceur puis en poussant les serre-lames vers l'intérieur du suceur.
- Raccrocher la fermeture.
- Remonter le suceur sur son support en suivant les instructions dans l'ordre inverse.

9.2.5 Fusibles: remplacement (modèle à batterie)Fusibil

Le fusible qui protège le moteur brosse et le fusible qui protège le moteur d'aspiration se trouvent dans les porte-fusibles (fig. 12, rep. 1) fixés au réservoir de récupération au-dessus du coffre des batteries de la machine.

Pour les remplacer:

- s'assurer que le réservoir de récupération soit vide; sinon le vider;
- soulever le réservoir de récupération;
- soulever le couvercle du porte-fusibles et enlever le fusible en dévissant les vis de fixation;
- remplacer le fusible et refermer le couvercle du porte-fusibles;
- enfin, abaisser le réservoir de récupération.

Tableau fusibles: Pour le tableau complet des fusibles, consulter le catalogue des Pièces de Rechange.

ATTENTION

Ne jamais remplacer le fusible par un autre de plus fort ampérage.

Si un fusible grille sans arrêt, il faut trouver et réparer la panne (câblage, cartes ou moteurs): faire vérifier la machine par un technicien qualifié.

9.3. Entretien périodique

9.3.1. Nettoyage journalier

Tous les jours à la fin du travail:

- débrancher la machine;
- vider le réservoir de récupération et le nettoyer si nécessaire;
- nettoyer les lames du suceur, en vérifiant l'état d'usure; les remplacer si nécessaire;
- contrôler que l'orifice d'aspiration du suceur ne soit pas bouché et éventuellement enlever les dépôts de saleté;
- recharger les batteries suivant la procédure décrite précédemment.

9.3.2. Nettoyage hebdomadaire

- Nettoyer le flotteur du réservoir de récupération et contrôler qu'il fonctionne correctement;
- nettoyer le filtre air aspiration et contrôler qu'il est en bon état; le remplacer si nécessaire;

- nettoyer le filtre de solution détergente placé sur l'ouverture avant du réservoir détergent (fig. 2, rep. 7) et contrôler qu'il est en bon état (le remplacer, si nécessaire);
- nettoyer le tuyau d'aspiration;
- nettoyer le réservoir de récupération et celui de solution;
- contrôler le niveau de l'électrolyte dans les batteries et remplir avec de l'eau distillée si nécessaire.

9.3.3. *Operations semestrielles*

Faire contrôler le système électrique par un technicien qualifié.

9.4. ENTRETIEN

Le tableau ci-dessous indique le responsable pour chaque procédure.

O = Opérateur

F = Personnel formé.

Intervalle	Responsible	Légende	Description	Procédure	Lubrifiant/Liquide
Tous les jours	O	1	Pad	Contrôler, tourner ou remplacer	
	O	1	Brosse(s)	Contrôler, nettoyer	
	O	6	Suceur	Nettoyer, contrôler l'état et l'usure	
	O	8	Protection projections	Contrôler l'état et l'usure	
	O	2	Réservoir de récupération	Vider, rincer, nettoyer la protection flotteur et bac à déchets	
	O	3	Réservoir solution	Vider, rincer	
	O	4	Réservoir environnements difficiles (option)	Contrôler, remplir	DCA
	O	5	Remplissage automatique batteries (option)	Contrôler, remplir	ED
	O	7	Batteries	Recharger si nécessaire	
Toutes les semaines	O	7	Batteries	Contrôler niveau électrolyte	ED
	O	7	Compartiment batteries	Contrôler présence de liquides	
	O	6	Siphon groupe suceur (modèle à double disque)	Contrôler Nettoyer	
50 heures	O	2	Joint couvercle réservoir de récupération	Contrôler état d'usure	
	O	9	Filtre réservoir solution	Retirer et nettoyer	
100 heures	O	7	KIT remplissage batteries (option)	Contrôler l'état et l'usure des tuyaux	
200 heures	O	7	Batteries, bornes et câbles	Contrôler et nettoyer	
	F	13	Chaîne direction	Lubrifier, vérifier la tension, contrôler l'état et l'usure	LR
	F	14	Câble direction	Vérifier la tension. Contrôler l'état et l'usure	
750 heures	F	10	Moteur d'aspiration	Remplacer les charbons	
1250 heures	F	11	Moteur traction	Remplacer les charbons	
	F	12	Moteurs brosse	Remplacer les charbons	

LUBRIFIANT/LIQUIDE

ED Eau distillée

DCA Détergent du commerce approuvé

LR Lubrifiant réducteur SAE W90

10. ANOMALIES, CAUSES ET REMÈDES

10.1. Comment résoudre les anomalies éventuelles

[B]= machine à batterie

[C]= machine à câble

[BT]= machine à batterie à traction électrique

Inconvénients possibles concernant la machine dans sa totalité.

ANOMALIES	CAUSES	REMÈDES
La machine ne fonctionne pas	<ul style="list-style-type: none"> • [B]= le connecteur des batteries est débranché • [B]= les batteries sont déchargées 	<ul style="list-style-type: none"> • [B]= connecter les batteries à la machine • [B]= recharger les batteries déchargées
Les brosses ne tournent pas	<ul style="list-style-type: none"> • [B], [BT]= le bouton d'actionnement brosses n'a pas été pressé <hr/> <ul style="list-style-type: none"> • le levier de la brosse n'est pas pressé <hr/> <ul style="list-style-type: none"> • [B]= la protection thermique du moteur de la brosse s'est déclenchée: le moteur a surchauffé <hr/> <ul style="list-style-type: none"> • [B], [BT]= le connecteur d'alimentation ou celui de la protection thermique est débranché <hr/> <ul style="list-style-type: none"> • [B], [BT]= le fusible du moteur brosses a brûlé <hr/> <ul style="list-style-type: none"> • [B], [BT]= les batteries sont déchargées <hr/> <ul style="list-style-type: none"> • le réducteur est cassé • le moteur est en panne 	<p>Appuyer sur le bouton brosses</p> <hr/> <ul style="list-style-type: none"> • presser le levier de la brosse <hr/> <ul style="list-style-type: none"> • [B]= relâcher le levier de la brosse et laisser refroidir la machine pendant au moins 45 minutes <hr/> <ul style="list-style-type: none"> • [B], [BT]= rebrancher le connecteur d'alimentation ou celui du thermique <hr/> <ul style="list-style-type: none"> • [B], [BT]= rechercher et éliminer les causes; puis le remplacer <hr/> <ul style="list-style-type: none"> • [B], [BT]= recharger les batteries <hr/> <ul style="list-style-type: none"> • faire remplacer le réducteur • faire remplacer le moteur
La machine ne lave pas uniformément	<ul style="list-style-type: none"> • les brosses ou les disques sont usés 	<ul style="list-style-type: none"> • les remplacer

La solution ne coule pas	• le réservoir de solution est vide	• remplir le réservoir
	• le tuyau d'alimentation qui amène la solution jusqu'aux brosses est bouché	• déboucher le tuyau
	• l'électrovanne est sale ou ne fonctionne pas	• nettoyer ou remplacer l'électrovanne
La solution coule sans arrêt	• l'électrovanne est sale ou ne fonctionne pas	• nettoyer ou remplacer l'électrovanne
Le moteur d'aspiration ne marche pas	• le moteur d'aspiration n'est pas sous tension ou est en panne	• vérifier que le connecteur d'alimentation du moteur est bien branché au câblage principal; dans le deuxième cas, faire remplacer le moteur
	• [B], [BT]= le fusible a brûlé	• [B], [BT]= remplacer le fusible
Le suceur ne nettoie pas ou n'aspire pas bien	• le bord des lames en caoutchouc qui est en contact avec le sol est émoussé	• remplacer les lames en caoutchouc
	• le suceur ou le tuyau est bouché ou abîmé	• déboucher et réparer
	• le flotteur s'est déclenché (réservoir de récupération plein) ou il est encrassé ou bien il est cassé	• vider le réservoir de récupération ou intervenir sur le flotteur
	• le tuyau d'aspiration est bouché	• déboucher
	• le tuyau d'aspiration n'est pas raccordé au suceur ou il est endommagé	• raccorder ou réparer le tuyau
	• le moteur d'aspiration n'est pas sous tension ou est en panne	• vérifier que le connecteur d'alimentation du moteur est bien branché au câblage principal et que le fusible de protection n'a pas brûlé; dans le deuxième cas, remplacer le moteur
La machine n'avance pas	• le moteur de la brosse/traction n'est pas sous tension ou est en panne	• dans le premier cas appuyer sur l'interrupteur brosses et actionner le levier brosse/traction ; dans le deuxième cas vérifier que le moteur brosse soit correctement branché au câblage principal ; dans le troisième cas remplacer le moteur.
	• le réducteur est cassé et donc la brosse ne tourne pas	• faire remplacer le réducteur
	• la protection thermique du moteur de la brosse s'est déclenchée; le moteur a surchauffé	• arrêter la machine, et la laisser refroidir pendant au moins 45 minutes
	• [B], [BT]= les batteries sont déchargées et le blocage de sécurité brosses est intervenu	• [B], [BT]= recharger les batteries

<p>La machine tend à braquer d'un côté</p>	<ul style="list-style-type: none"> le sol exige un réglage à l'aide de la molette de réglage direction 	<ul style="list-style-type: none"> régler la direction d'avancement en agissant sur la molette de réglage de la vitesse
<p>Les batteries n'assurent pas l'autonomie normale</p>	<ul style="list-style-type: none"> les pôles et les bornes des batteries sont sales et oxydés le niveau de l'électrolyte est trop bas le chargeur de batterie ne fonctionne pas ou n'est pas adapté il y a des différences considérables de densité entre les éléments de la batterie la pression sur les brosses est trop forte il y a des différences considérables de densité entre les éléments de la batterie 	<ul style="list-style-type: none"> nettoyer et graisser les pôles et les bornes, recharger les batteries ajouter de l'eau distillée en remplissant chaque élément suivant les instructions consulter les instructions relatives au chargeur de batterie remplacer la batterie endommagée réduire la pression sur les brosses remplacer la batterie endommagée
<p>L'accumulateur se décharge trop rapidement pendant l'utilisation, bien qu'il ait été chargé correctement et que le densimètre indique, à la fin de la recharge, que la densité est uniforme</p>	<ul style="list-style-type: none"> l'accumulateur est neuf et ne donne pas 100% des performances attendues la machine est utilisée sans arrêt au maximum de sa puissance et l'autonomie n'est pas suffisante l'électrolyte s'est évaporé et ne couvre pas complètement les plaques 	<ul style="list-style-type: none"> il est nécessaire de roder l'accumulateur en effectuant 20-30 cycles complets de charge et décharge, afin d'obtenir le maximum de prestation utiliser, si cela est prévu et possible, des accumulateurs de plus grande capacité ou bien remplacer les accumulateurs par d'autres déjà chargés ajouter de l'eau distillée en remplissant chaque élément jusqu'à couvrir les plaques et recharger l'accumulateur
<p>L'accumulateur se décharge trop rapidement pendant l'utilisation, le cycle de charge avec le chargeur de batterie électronique est trop rapide et à la fin l'accumulateur délivre la tension correcte (environ 2,14V par élément à vide), mais le densimètre indique que la densité n'est pas uniforme</p>	<ul style="list-style-type: none"> l'accumulateur, livré par le Constructeur déjà chargé avec de l'acide, a été stocké pendant trop longtemps avant d'être rechargé et utilisé pour la première fois 	<ul style="list-style-type: none"> si la charge effectuée à l'aide d'un chargeur de batterie normal n'est pas efficace, il faut faire une double charge constituée de: <ul style="list-style-type: none"> - une charge lente pendant 10 heures avec un courant égal à 1/10 de la capacité nominale pour 5 heures (par exemple, pour un accumulateur de 100Ah(5) le courant doit être égal à 10A) avec chargeur de batterie manuel; - pause d'une heure; - charge avec un chargeur de batterie normal

<p>A la fin du cycle de charge avec le chargeur électronique, l'accumulateur ne délivre pas la tension correcte (environ 2,14V par élément à vide) et le densimètre indique que la charge n'est pas uniforme</p>	<ul style="list-style-type: none"> • l'accumulateur n'est pas connecté au chargeur de batterie (par exemple, parce que le connecteur à faible tension du chargeur de batterie a été branché par erreur au connecteur de la machine) 	<ul style="list-style-type: none"> • brancher le chargeur de batteries sur le connecteur de l'accumulateur
	<ul style="list-style-type: none"> • le chargeur de batterie et la prise de courant sur laquelle il est branché ne sont pas compatibles 	<ul style="list-style-type: none"> • vérifier que les caractéristiques d'alimentation électrique indiquées sur la plaque d'immatriculation du chargeur de batterie correspondent à celles du réseau électrique
	<ul style="list-style-type: none"> • le chargeur de batterie n'a pas été correctement installé 	<ul style="list-style-type: none"> • après avoir vérifié la tension effectivement disponible à la prise d'alimentation, vérifier que les connexions du primaire du transformateur à l'intérieur du chargeur de batterie sont correctes (consulter à ce propos le manuel du chargeur de batterie)
	<ul style="list-style-type: none"> • le chargeur de batterie ne fonctionne pas 	<ul style="list-style-type: none"> • vérifier que la tension arrive au chargeur de batterie, que les éventuels fusibles ne sont pas coupés et que le courant arrive à l'accumulateur; essayer également de charger avec un autre redresseur: si effectivement le chargeur de batterie ne fonctionne pas s'adresser à l'assistance technique en signalant le numéro de matricule du chargeur de batterie
<p>A la fin du cycle de charge avec le chargeur de batterie électronique, l'accumulateur ne délivre pas une tension correcte (environ 2,14V par élément à vide) et le densimètre indique qu'un ou quelques éléments sont déchargés</p>	<ul style="list-style-type: none"> • un ou plusieurs éléments sont endommagés 	<ul style="list-style-type: none"> • si possible, remplacer les éléments endommagés. Pour les accumulateurs de 6V ou 12V monobloc, remplacer tout l'accumulateur
<p>L'électrolyte dans l'accumulateur est trouble ou sale</p>	<ul style="list-style-type: none"> • l'accumulateur a terminé les cycles de charge/décharge indiqués par le Constructeur • l'accumulateur a été rechargé avec un courant trop élevé • l'accumulateur a été déchargé au-delà de la limite minimale indiquée par le Constructeur 	<ul style="list-style-type: none"> • remplacer l'accumulateur • remplacer l'accumulateur • remplacer l'accumulateur

Le tuyau de vidange eau/détergent ne montre pas le niveau de solution à l'intérieur du réservoir durant l'opération de remplissage	• Robinet du tuyau de vidange eau/détergent fermé	• Retirer le bouchon ou ouvrir le robinet
	• Bouchon du tuyau de vidange eau/détergent vissé	• Retirer le bouchon ou ouvrir le robinet

11. ALARMES AFFICHEES

ACC / MAN [Acc / NAn] : Accélérateur / MAN

S'affiche si on appuie sur le levier traction au démarrage ou après le réarmement du dispositif d'arrêt d'urgence.

La traction ne démarre pas si le levier n'est pas relâché.

POT : Potentiomètre

S'affiche en cas de rupture ou d'anomalie du potentiomètre de réglage vitesse

La traction est arrêtée, relâcher le levier traction et appuyer de nouveau.

Si le problème persiste le potentiomètre est probablement en panne.

Lim [Lin] : Limite

S'affiche quand le MOSFET atteint la limite thermique interne.

La traction est arrêtée, relâcher et appuyer de nouveau sur le levier traction.

Si le problème persiste attendre quelques minutes pour laisser refroidir le Mosfet.

Hom [Hon] : Thermique MOSFET

S'affiche quand le capteur thermique dans le MOSFET se déclenche.

Éteindre la machine et attendre 10 min que le composant refroidisse. Éventuellement remplacer la carte.

Hot : Surchauffe

S'affiche quand le capteur thermique du moteur se déclenche.

Attendre quelques minutes pour laisser le moteur refroidir. Contrôler la connexion entre le capteur thermique et la carte.

MoS [noS] : MOSFET

S'affiche quand le Mosfet traction est en court-circuit ou quand la bobine du télérupteur ne ferme pas correctement les contacts et la fonction brosse ou la fonction traction sont activées.

La bobine du relais aspiration est en court-circuit, remplacer le relais.

La bobine du relais traction moteur est en court-circuit, remplacer le relais.

Dans tous les cas la traction est arrêtée.

En présence de ce message l'ordre n'arrive plus au télérupteur général.

Remplacer la carte principale.

MoF [NoF] : Mosfet

Apparaît quand le Mosfet traction reste ouvert. La traction est arrêtée.

Brosses et aspiration sont activées, la traction est désactivée

bLt : bLocage Traction

S'affiche quand la tension de la batterie est trop basse et la traction est bloquée. Recharger la batterie et réessayer.

AcS : Anomalie commande brosse

S'affiche quand il y a une anomalie à la commande télérupteur pour l'activation de la brosse.

Appuyer sur l'interrupteur brosse, si le message s'affiche toujours le télérupteur est peut-être débranché ou l'élément de commande à l'intérieur de la carte est en panne.

AcA : Anomalie commande aspirateur

S'affiche quand il y a une anomalie à la commande télérupteur pour l'activation de l'aspirateur.

Appuyer sur l'interrupteur aspirateur, si le message s'affiche toujours le télérupteur est peut-être débranché ou l'élément de commande à l'intérieur de la carte est en panne.

ACH : Anomalie commande électrovanne

S'affiche quand il y a une anomalie à la commande électrovanne eau.

Contrôler le fonctionnement de la bobine et le câblage entre la carte tableau de bord et électrovanne.

FuP : Fusible

S'affiche quand la bobine du télérupteur principal ne ferme pas correctement le circuit et l'aspiration est activée.

Problème dans la carte écran ou mise à la masse défectueuse.

CLH : Horloge.

S'affiche quand il y a un problème à la mémoire de la carte tableau de bord. Remplacer la carte.

err : Error

Il apparaît en cas d'erreur générale de dysfonctionnement de la carte électronique. Remplacez la carte d'affichage.

12. T290 - PIÈCES DE RECHANGE CONSEILLÉES

Référence	DESCRIPTION
9017703	BROSSE, 50 CM, PYP
9017704	BROSSE, 50 CM, PYP, SOUPLE
9017710	TAMPON, SUPPORT D'ENTRAÎNEMENT, 50 CM [STANDARD]
1243338	TAMPON, POLISSAGE, 20.0D, BLANC [x5]
1243339	TAMPON, NETTOYAGE, 20.0D, ROUGE [x5]
1243340	TAMPON, RÉCURAGE, 20.0D, BLEU [x5]
1243566	TAMPON, DÉCAPAGE, 20.0D, MARRON [x5]
1243661	TAMPON, DÉCAPAGE, 20.0D, NOIR, HAUTE PRODUCTIVITÉ [x5]
1243670	TAMPON, PRÉPARATION SURFACE 20.0D, MARRON [x5]
1240393	TAMPON, POLISSAGE, 20.0D, JAUNE [x5]
9017695	LAME, RACLETTE, AVANT, 880L, LATEX [OPTION]
9017694	LAME, RACLETTE, ARRIÈRE, 900L, LATEX [OPTION]
9017696	LAME, RACLETTE, AVANT, 880L, PYU [OPTION]
9017698	LAME, RACLETTE, ARRIÈRE, 900L, PYU [OPTION]
9017699	LAME, RACLETTE, AVANT, 880L, LINATEX [STANDARD]
9017702	LAME, RACLETTE, ARRIÈRE, 900L, LINATEX [STANDARD]
9017713	FILTRE, ASPIRATION
9017711	JOINT, CAPOT, RÉSERVOIR RÉCUPÉRATION
9017712	BOYAU, RÉCUPÉRATION
9017686	KIT BALAIS, CHARBON, MOTEUR À BALAIS [x4]
9017687	BAL AIS, CHARBON, MOTEUR VENTILATEUR ASPIRATION
9018034	BAL AIS, CHARBON, MOTEUR TRANSMISSION
9017715	CÂBLE, LEVAGE, RACLETTE
TBFX01299	BOYAU, VIDANGE
9017718	VANNE, EAU, SOLÉNOÏDE, 24 VDC
9017788	ROULETTE, PIVOTANTE
CUVR00294	ROULEMENT, SUPPORT [MODÈLE MOTORISÉ]
CUVR00293	ROULEMENT, BRIDE [MODÈLE MOTORISÉ]
9017719	ROULEMENT, ESSIEU
9018584	FILTRE, EAU, SOLUTION, COMPLET
9017725	MOTEUR, BALAIS, 24 VDC
9017716	VENTILATEUR, MOTEUR
897285	MOTEUR, TRACTION, 24 V 145 W
130869	BATTERIE, HUMIDE, 12 V 130 AH
1053408	BATTERIE, AGM, 12 VDC 140 AH [OPTION]
1015046	BATTERIE, HUMIDE, 12 VDC 150 AH [OPTION]
9017726	CARTE DE CIRCUIT, PRINCIPALE
9017798	CARTE DE CIRCUIT, ÉCRAN [MODÈLE MOTORISÉ]
897186	CARTE DE CIRCUIT, ÉCRAN [MODÈLE POUSSÉ]
MEVR01428	FUSIBLE 2 A, CARTE DE CIRCUIT PRINCIPALE
9018332	FUSIBLE 50 A, CARTE DE CIRCUIT PRINCIPALE
9018333	FUSIBLE 40 A, CARTE DE CIRCUIT PRINCIPALE
897301	FUSIBLE 30 A, CARTE DE CIRCUIT PRINCIPALE [MODÈLE MOTORISÉ]
9017722	PROTECTION, PROJECTION (OPTION)
9017737	FLOTTEUR, ARRÊT

13. T390 - PIÈCES DE RECHANGE CONSEILLÉES

Référence	DESCRIPTION
9017816	ENSEMBLE BROSSE, DISQUE, RÉCURAGE, 35 CM, 3 PATTES, PYP
9017730	ENSEMBLE BROSSE, DISQUE, RÉCURAGE, 35 CM, 3 PATTES, PYP, SOUPLE
9017820	ENSEMBLE ENTRAÎNEMENT, TAMPON, 35 CM, 3 PATTES [STANDARD]
1243656	TAMPON, NETTOYAGE, 14.0D, ROUGE [x5]
1243344	TAMPON, RÉCURAGE, 14.0D, BLEU [x5]
1243657	TAMPON, DÉCAPAGE, 14.0D, MARRON [x5]
1243658	TAMPON, DÉCAPAGE, 14.0D, NOIR, HAUTE PRODUCTIVITÉ [x5]
1243667	TAMPON, PRÉPARATION SURFACE 14.0D, MARRON [x5]
1243343	TAMPON, POLISSAGE, 14.0D, BLANC [x5]
1240389	TAMPON, POLISSAGE, 14.0D, JAUNE [x5]
9017801	LAME, RACLETTE, AVANT, 1020L, LATEX [OPTION]
9017804	LAME, RACLETTE, ARRIÈRE, 1020L, LATEX [OPTION]
9017806	LAME, RACLETTE, AVANT, 1020L, PYU [OPTION]
9017811	LAME, RACLETTE, ARRIÈRE, 1020L, PYU [OPTION]
9017813	LAME, RACLETTE, AVANT, 1020L, LINATEX [STANDARD]
9017814	LAME, RACLETTE, ARRIÈRE, 1020L, LINATEX [STANDARD]
9017713	FILTRE, ASPIRATION
9017711	JOINT, CAPOT, RÉSERVOIR RÉCUPÉRATION
9017712	BOYAU, RÉCUPÉRATION
9017686	KIT BALAIS, CHARBON, MOTEUR À BALAIS [x4]
9017687	BALAIS, CHARBON, MOTEUR VENTILATEUR ASPIRATION
9018034	BALAIS, CHARBON, MOTEUR TRANSMISSION
9017715	CÂBLE, LEVAGE, RACLETTE
TBFX01299	BOYAU, VIDANGE
9017718	VANNE, EAU, SOLÉNOÏDE, 24 VDC
9017788	ROULETTE, PIVOTANTE
9017745	ROULEMENT, ROUE
9018584	FILTRE, EAU, SOLUTION, COMPLET
9017792	MOTEUR, BALAIS, 24 VDC
9017716	VENTILATEUR, MOTEUR
897349	MOTEUR, TRACTION, 24 V 200 W 150G
1053408	BATTERIE, AGM, 12 VDC 140 AH
1015046	BATTERIE, HUMIDE, 12 VDC 150 AH
9017726	CARTE DE CIRCUIT, PRINCIPALE
897289	CARTE
MEVR01428	FUSIBLE 2 A
9018332	FUSIBLE 50 A
9018333	FUSIBLE 40 A
897301	FUSIBLE 30 A [MODÈLE MOTORISÉ]
9017722	PROTECTION, PROJECTION [OPTION]
9017737	FLOTTEUR, ARRÊT

Tennant Company

PO. Box

10400 Clean Street

Eden Prairie, MN 55344-2650

Phone: (800) 553- 8033

www.tennantco.com

Copyright © 2021 Tennant Company. All rights reserved.



717-359-5281



www.UltraCareSystems.com