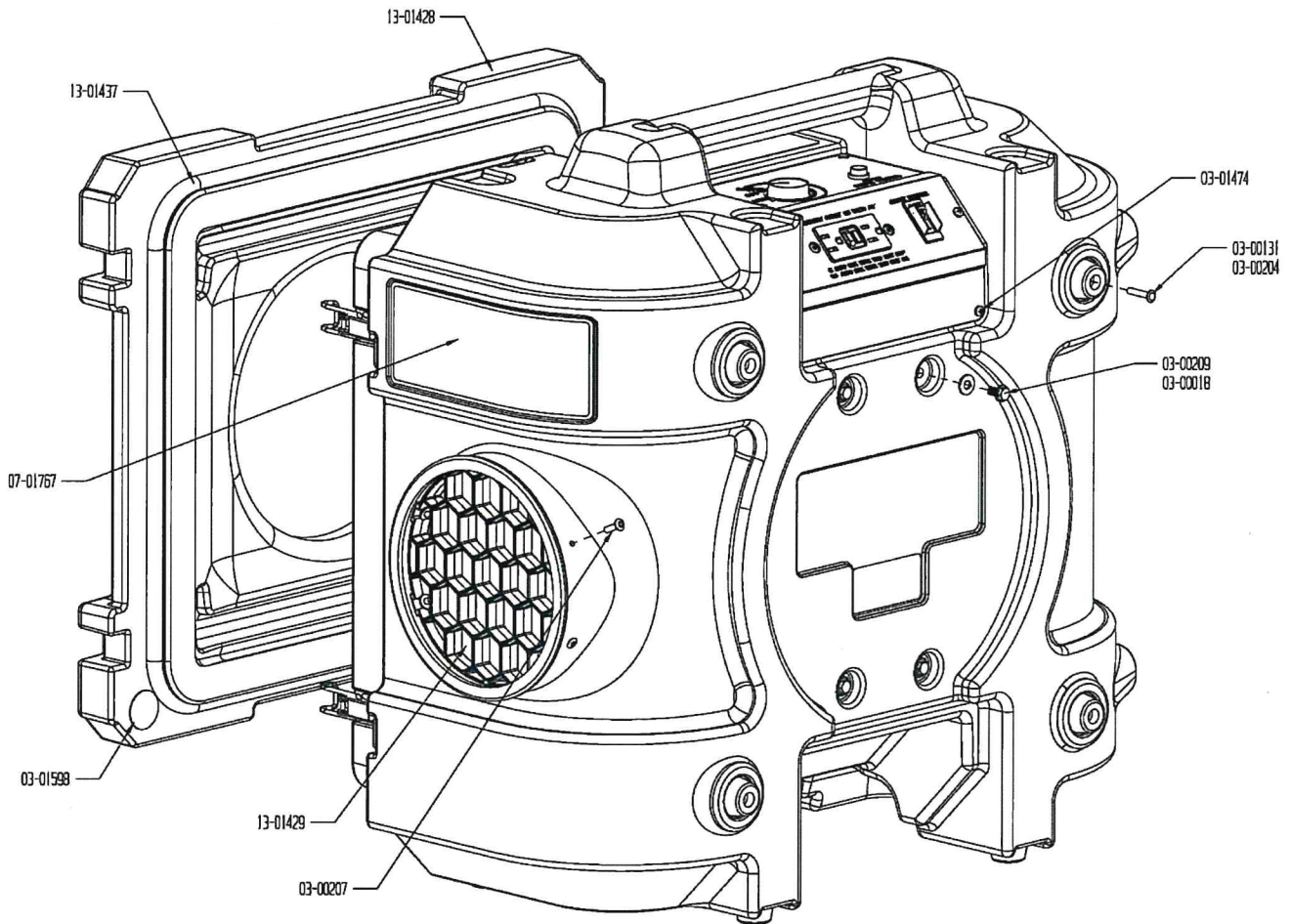


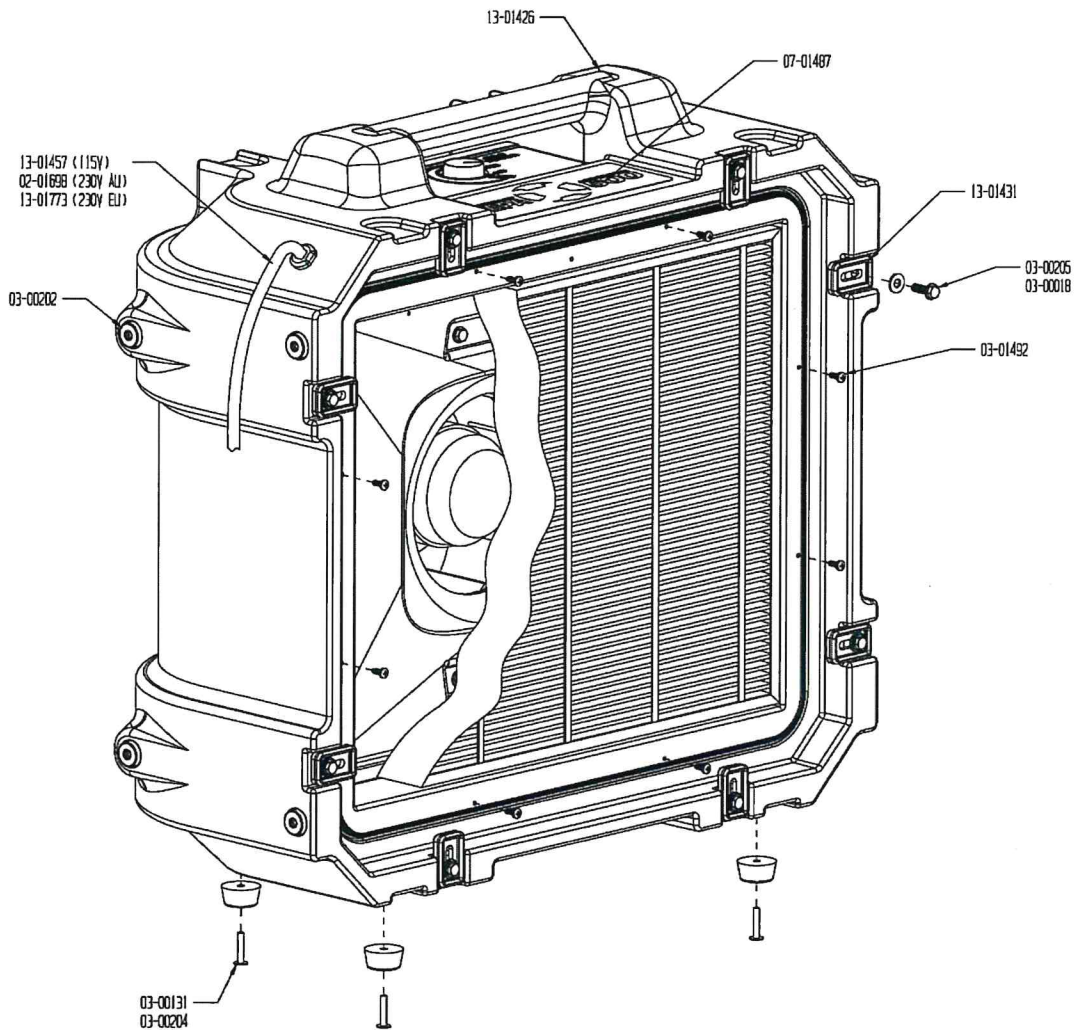
114178 (F284) DEFENDAIR HEPA 500

115V & 230V PARTS LIST

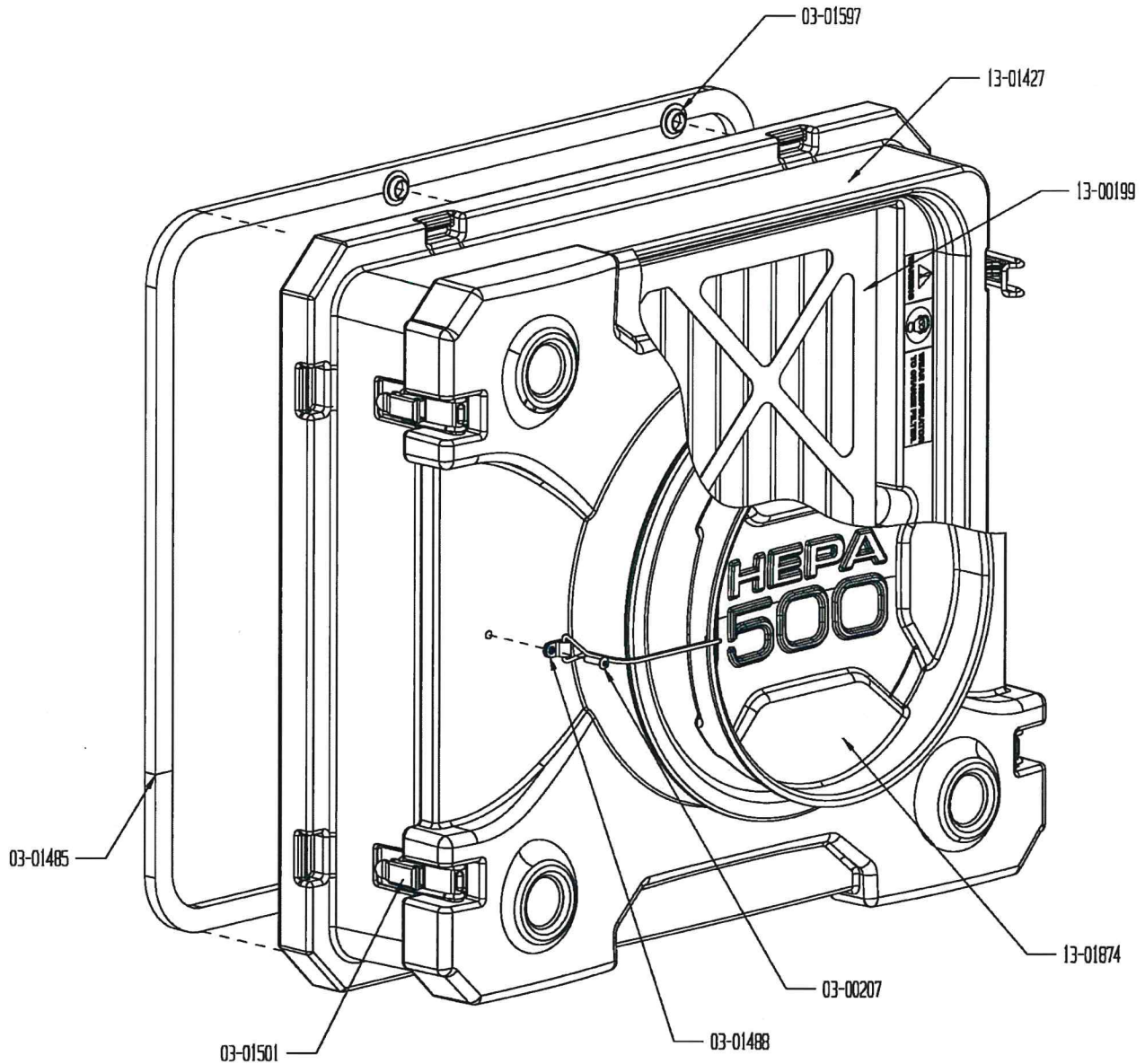




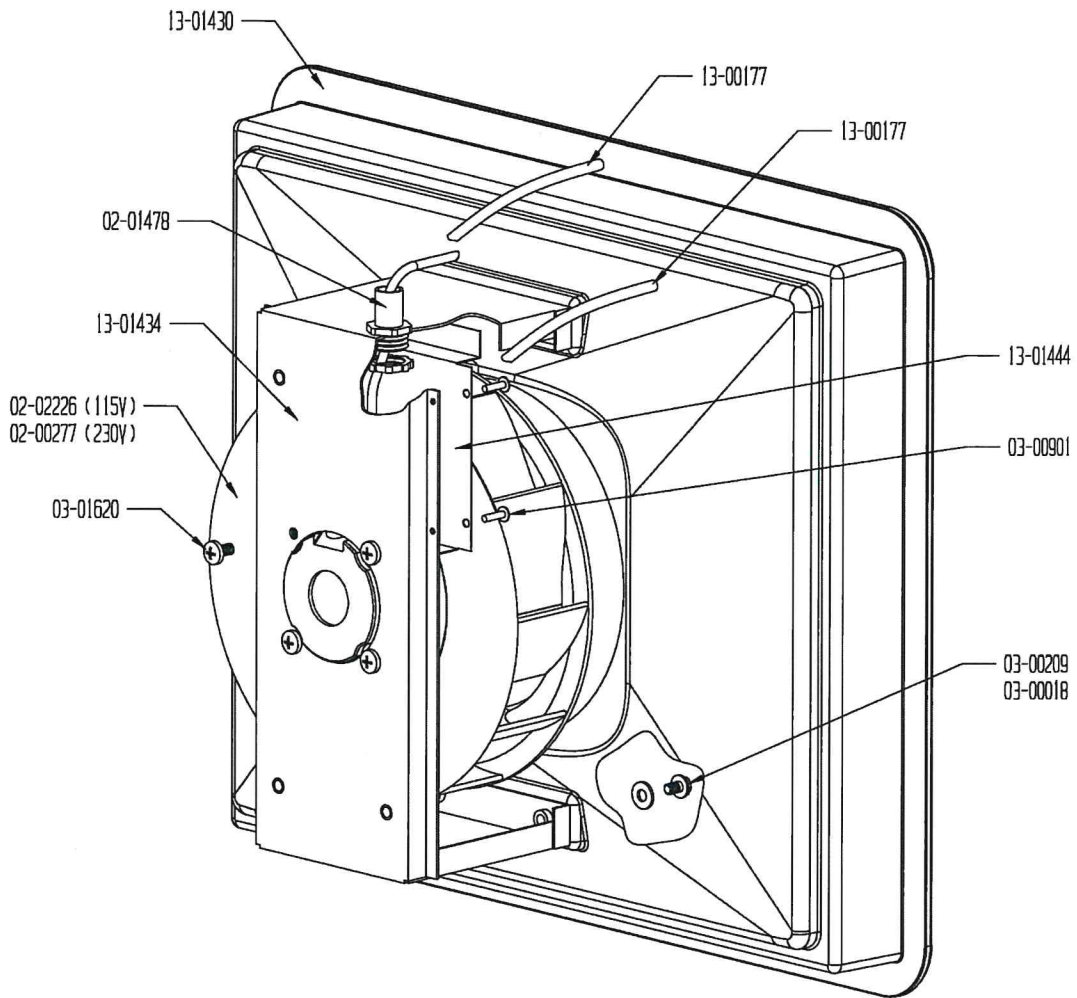
NEW PART NO.	OLD PART NO.	QTY	DESCRIPTION
-	-		- UNIVERSAL COMPONENTS -
123048	03-00018	4	WASHER - 1/4 SAE .281 ID X .625 OD X .06 ZP
106508	03-00131	4	FOOT - ROUND 3/16 ID X 1.25 OD X 5/8 RUBBER BLK
112015	03-00204	4	RIVET - 3/16 X 5/8 TRI FOLD AL/AL
112013	03-00207	4	RIVET - 3/16 X 3/8 TRI FOLD AL/AL
114457	03-00209	4	SCREW - 1/4 -20 X 1/2 SER HWH NYLOC ZP
112358	03-01474	6	SCREW - #8 X 1/2 PHP ZP BLK
110896	03-01598	1	PLUG - HOLE .88 DIA X .25 NYLON BLK
117950	07-01767	1	LABEL - WARNING
115056	13-01428	1	DOOR - INLET POLYETHYLENE FISHER BLU DEFENDAIR HEPA 500
115079	13-01429	1	GRILL - OUTLET ABS BLK DEFENDAIR HEPA 500
112558	13-01437	1	SEAL - DOOR .50 OD X .25 ID X 62 LONG SILICONE RUBBER DEFENDAIR HEPA 500



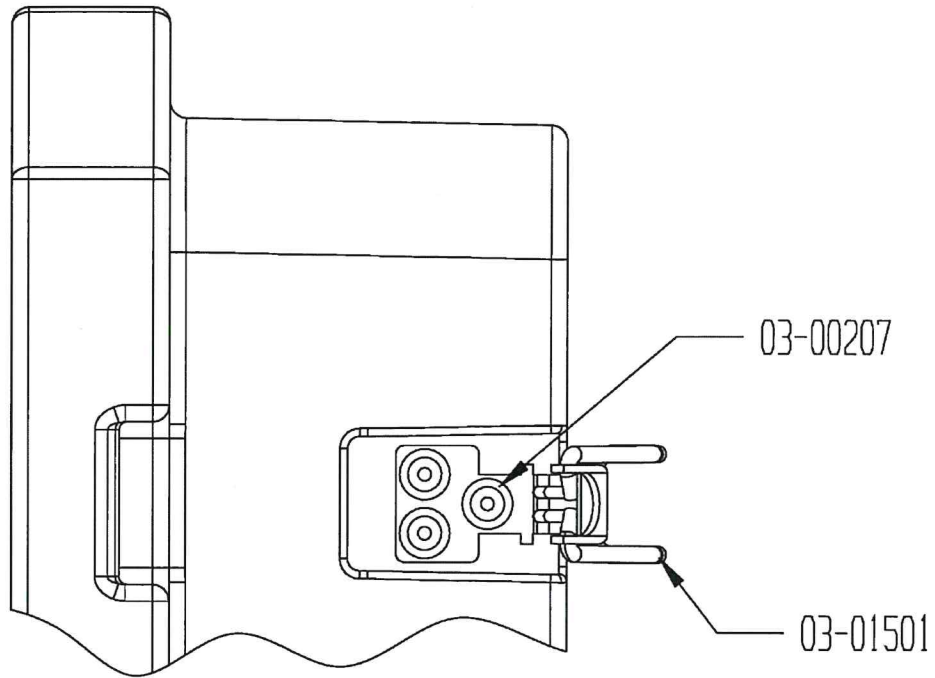
NEW PART NO.	OLD PART NO.	QTY	DESCRIPTION
-- UNIVERSAL COMPONENTS --			
-	-	-	FILTERS – PLEASE CONTACT SALES
113263	02-00005	1	STRAIN RELIEF - SNAP .400 DIA BLK (NOT CALLED OUT)
123048	03-00018	8	WASHER - 1/4 SAE .281 ID X .625 OD X .06 ZP
106508	03-00131	4	FOOT - ROUND 3/16 ID X 1.25 OD X 5/8 RUBBER BLK
117008	03-00202	4	FOOT - ROUND PUSH MOUNT .83 OD X .24 RUBBER BLK
112015	03-00204	4	RIVET - 3/16 X 5/8 TRI FOLD AL/AL
112589	03-00205	8	SCREW - 1/4-20 X 3/4 SER HWH NYLOC ZP
114409	03-01492	8	SCREW - #6 X 1/2 AB PHP ZP
111791	13-01426	1	REAR PANEL - POLYETHYLENE FISHER BLU DEFENDAIR HEPA 500
115987	13-01431	8	CLIP - RETAINING NYLON BLK DEFENDAIR HEPA 500
-- 115V SPECIFIC COMPONENTS --			
107371	07-01487	1	LABEL - PRODUCT AIRSCRUBBER DEFENDAIR HEPA 500 (QR)
117958	07-01763	1	LABEL - WARNING POWER CORD FANS
113326	13-01457	1	POWER CORD ASSY - 14/3 SJTW 5-15P 25 FT DEFENDAIR HEPA 500
-- 230V SPECIFIC COMPONENTS --			
111066	02-01698	1	POWER CORD ASSY - 3 X 1.00M H07RNF AS3112 25FT HEPA 500 230V (AU)
117897	07-01519	1	LABEL - PRODUCT 230V DEFENDAIR HEPA 500 (QR) (NOT CALLED OUT)
119054	08-00201	1	POWER CORD ASSEMBLY - 3 X 1.50MM H07RNF BS1363 25FT (UK – NOT CALLED OUT)
113329	13-01773	1	POWER CORD ASSY - 3 X 1.00M H07RN CEE7/7 25FT HEPA 500 230V (EU)



NEW PART NO.	OLD PART NO.	QTY	DESCRIPTION
-- UNIVERSAL COMPONENTS --			
112013	03-00207	1	RIVET - 3/16 X 3/8 TRI FOLD AL/AL
105175	03-01485	6.38	GASKET - .62 X .38 W/ RIBS EPDM PSA
103594	03-01488	1	CLAMP - CABLE .38 WIDE X .25 ID NYLON BLK
108744	03-01501	4	LATCH - PULL DOWN CLAMP 3 HOLE SS DEFENDAIR HEPA 500
118899	03-01597	2	PLUG - HOLE .63 DIA X .25 NYLON BLK
112751	13-01427	1	SHROUD - PREFILTER POLYETHYLENE FISHER BLU DEFENDAIR HEPA 500
-- 115V SPECIFIC COMPONENTS --			
103371	13-01874	1	CAP ASSEMBLY - NON ROHS
-- 230V SPECIFIC COMPONENTS --			
102487	13-01874-01	1	CAP ASSEMBLY - ROHS

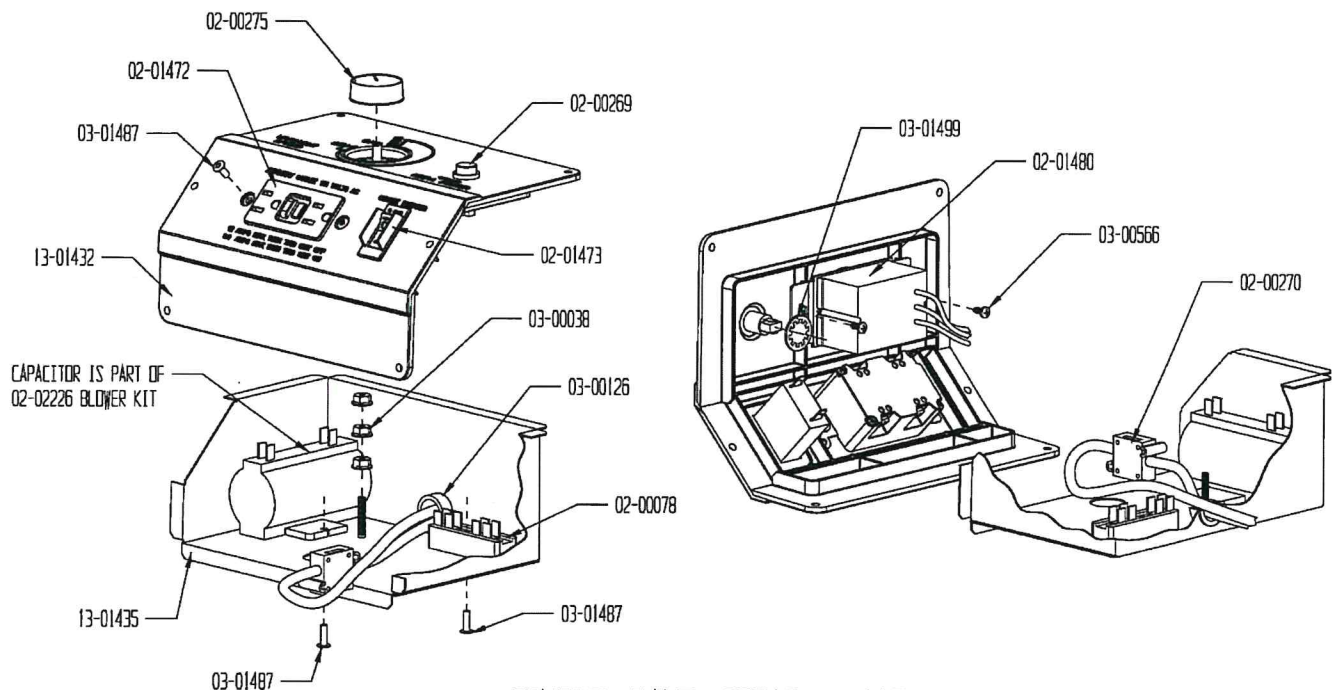


NEW PART NO.	OLD PART NO.	QTY	DESCRIPTION
-- UNIVERSAL COMPONENTS --			
104661	02-01478	1	FITTING - CONNECTOR 1/2 CONDUIT NIPPLE DIE CAST ZINC
123048	03-00018	4	WASHER - 1/4 SAE .281 ID X .625 OD X .06 ZP
114457	03-00209	4	SCREW - 1/4 -20 X 1/2 SER HWH NYLOC ZP
111943	03-00901	4	RIVET - 1/8 X 1/8 AL/AL
112497	03-01620	4	SCREW - M6 X 10MM PHIL PH NYLOC ZP
120014	13-00177	1.6667	TUBING - 1/8 ID X 1/4 OD CLEAR VINYL
115082	13-01430	1	PLENUM - HEPA ABS BLK DEFENDAIR HEPA 500
102641	13-01434	1	BLOWER MOUNT - 16 GA GALV STL DEFENDAIR HEPA 500
112662	13-01444	1	SHIELD - MOTOR WIRE ZP STL DEFENDAIR HEPA 500
-- 115V SPECIFIC COMPONENTS --			
108413	S595	1	KIT - HEPA 500 REPLACEMENT BLOWER (INCLUDES 02-00268-AP BLOWER, 02-00250 CAPACITOR)
-- 230V SPECIFIC COMPONENTS --			
101720	02-00277	1	BLOWER ASSY - MOTORIZED IMPELLER 230V 251W 2750RPM DEFENDAIR
114395	13-01774	1	SCREEN - OUTLET HEPA 500



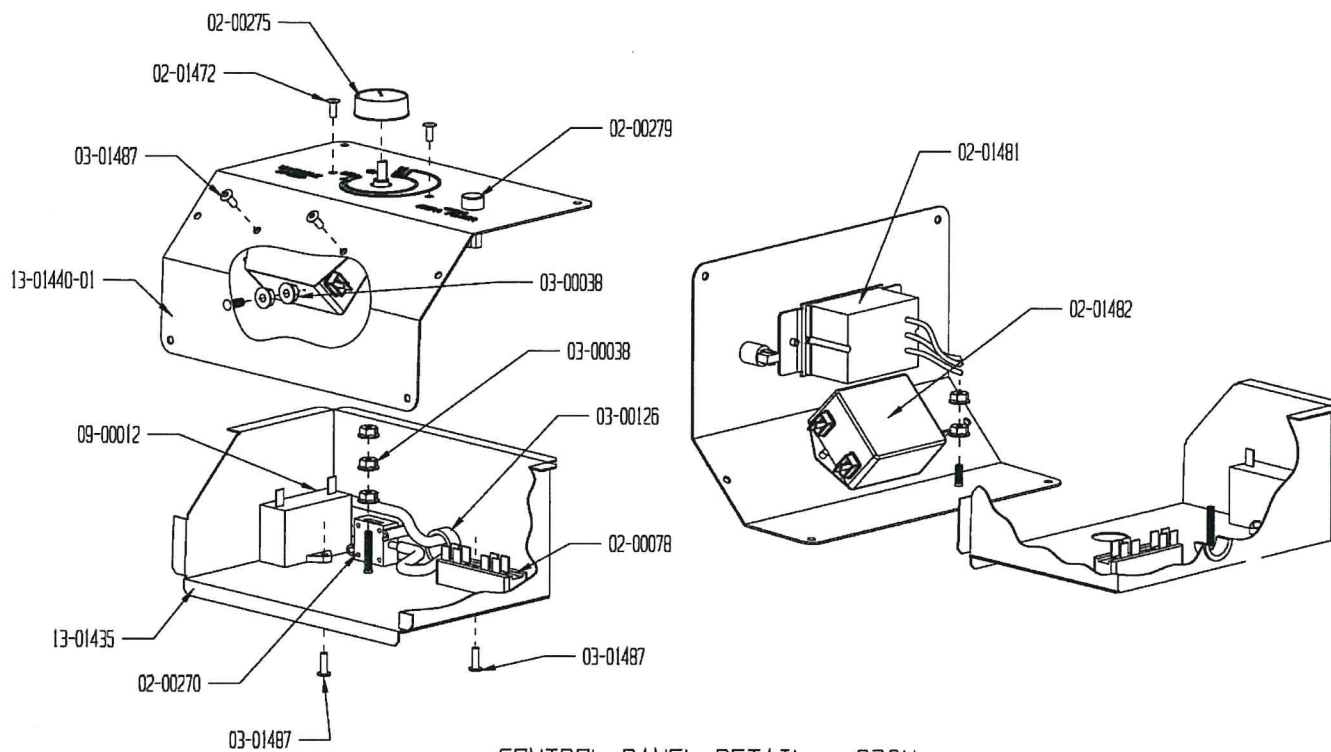
LATCH DETAIL

NEW PART NO.	OLD PART NO.	QTY	DESCRIPTION
-- UNIVERSAL COMPONENTS --			
112013	03-00207	12	RIVET - 3/16 X 3/8 TRI FOLD AL/AL
108744	03-01501	4	LATCH - PULL DOWN CLAMP 3 HOLE SS DEFENDAIR HEPA 500



CONTROL PANEL DETAIL - 115V

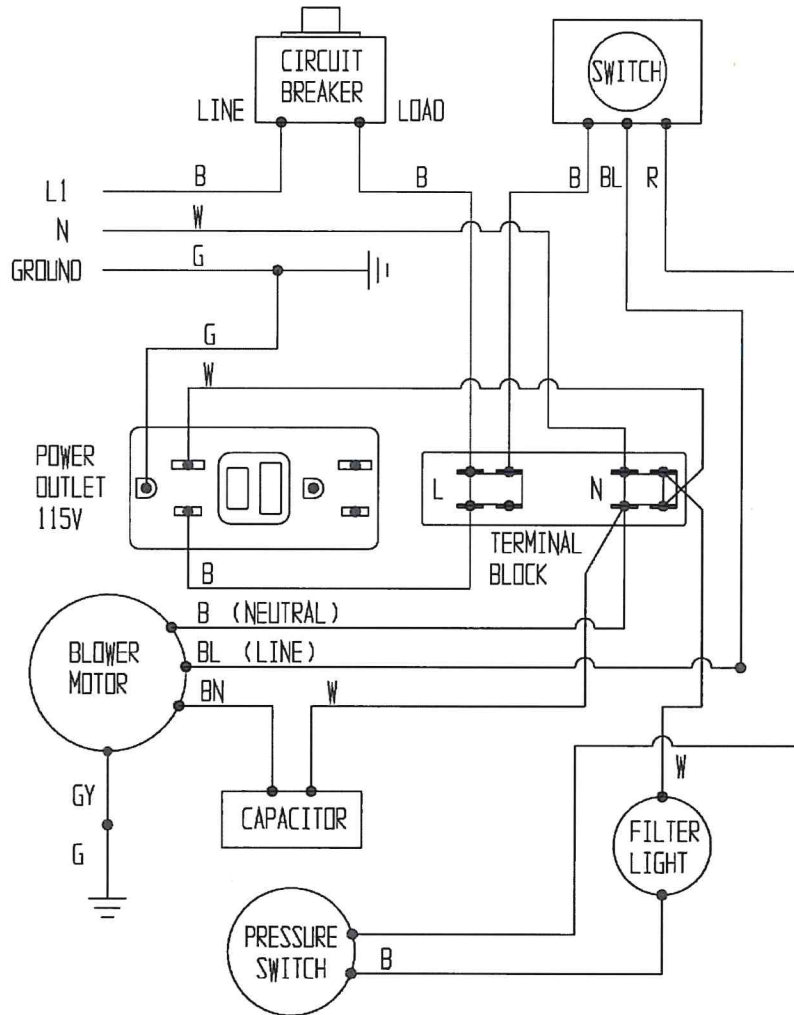
NEW PART NO.	OLD PART NO.	QTY	DESCRIPTION
-- UNIVERSAL COMPONENTS --			
113692	02-00078	1	TERMINAL BLOCK - GP 4 X 4 SCREW
103276	03-00126	1	BUSHING - .671 ID X.875 X.41 SPLIT NYLON BLK
116158	13-01435	1	ELECTRICAL BOX - GALV STL DEFENDAIR HEPA 500
-- 115V SPECIFIC COMPONENTS --			
109721	02-00250	1	CAPACITOR - 25MFD 370V 1.60 DIA ROUND W/ MTG BRKT (INCLUDED IN S595 BLOWER KIT. COMPATIBLE WITH 02-00268-AP BLOWER)
118130	02-00269	1	LIGHT - INDICATOR 125V NEON RED
115756	02-00270	1	SWITCH - PRESSURE DIFFERENTIAL 1.2 IN H2O
107513	02-00275	1	KNOB - SWITCH DEFENDAIR
111834	02-01472	1	RECEPTACLE - 15A W/ GFCI
102771	02-01473	1	CIRCUIT BREAKER - 12A W/ SWITCH MECHANICAL/HYDRAULIC
113420	02-01480	1	SWITCH ASSY - VARIABLE SPD TRIAC 125V DEFENDAIR
102216	03-00012	1	CABLE TIE - 4 NYLON
123051	03-00038	3	NUT - #10-24 W/STAR WASHER ZP
114398	03-00566	2	SCREW - #6 X3/8 PHIL PH ZP
123076	03-01487	4	RIVET - 5/32 X 1/4 TRI FOLD AL/AL BLK
116608	03-01499	1	WASHER - 1/2 INTERNAL TOOTH COPPER
115071	13-01432	1	FRAME FOR CONTROL PANEL 3 PC ABS BLK DEFENDAIR HEPA 500
116937	13-01436P	1	WIRE HARNESS - 115V DEFENDAIR HEPA 500 (NOT CALLED OUT)



CONTROL PANEL DETAIL - 230V

NEW PART NO.	OLD PART NO.	QTY	DESCRIPTION
-- UNIVERSAL COMPONENTS --			
113692	02-00078	1	TERMINAL BLOCK - GP 4 X 4 SCREW
103276	03-00126	1	BUSHING - .671 ID X.875 X.41 SPLIT NYLON BLK
116158	13-01435	1	ELECTRICAL BOX - GALV STL DEFENDAIR HEPA 500
-- 230V SPECIFIC COMPONENTS --			
115756	02-00270	1	SWITCH- PRESSURE DIFFERENTIAL 1.2 IN H2O
107513	02-00275	1	KNOB- SWITCH DEFENDAIR
108920	02-00279	1	LIGHT - INDICATOR 230V NEON RED
115748	02-01481	1	SWITCH ASSY - VARIABLE SPD TRIAC 230V DEFENDAIR
105512	02-01482	1	FILTER - POWER LINE RFI 115/230V
102216	03-00012	2	CABLE TIE - 4 NYLON
123051	03-00038	5	NUT - #10-24 W/STAR WASHER ZP
123076	03-01487	6	RIVET - 5/32 X 1/4 TRI FOLD AL/AL BLK
109724	09-00012	1	CAPACITOR ASSY - 5MFD 375V BOX
111865	13-01440-01	1	PANEL - CONTROL 230V SS W/SILKSCREEN DEFENDAIR HEPA 500
116953	13-01441P	1	WIRE HARNESS -230V DEFENDAIR HEPA 500 (NOT CALLED OUT)

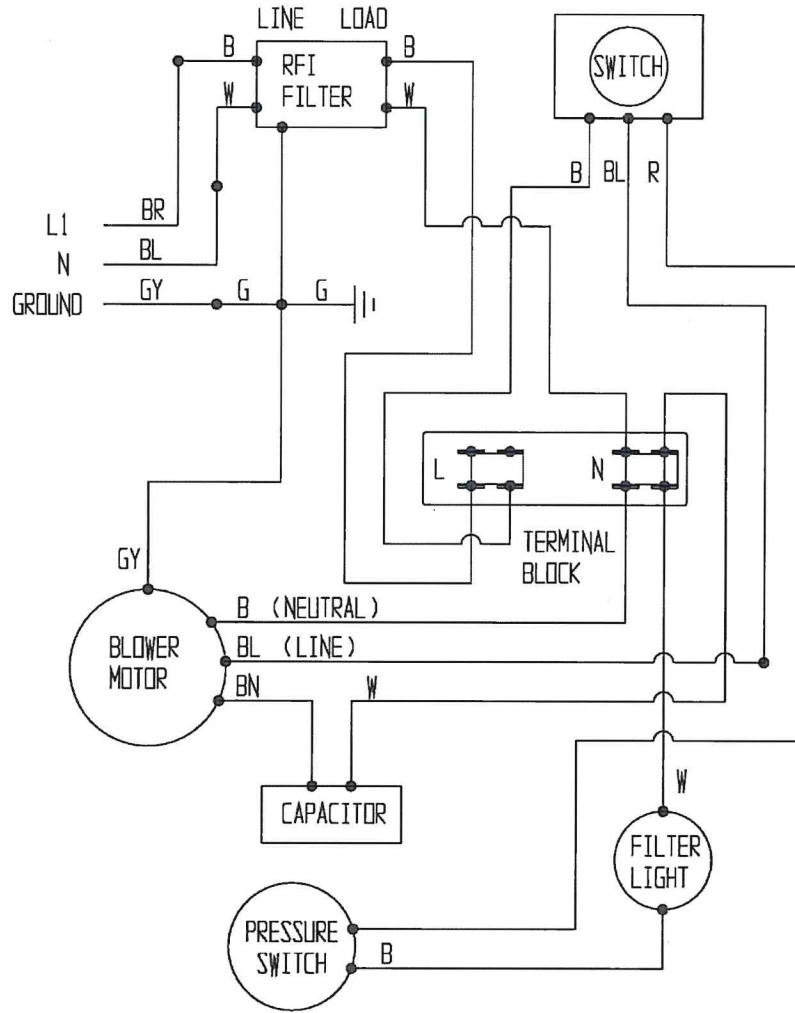
HEPA 500 - 115V 60HZ WIRING DIAGRAM



WIRING COLOR CODES

B = black	W = white
G = green	BN = brown
R = red	BL = blue
GY = green/yellow	

HEPA 500 - 230V 50HZ WIRING DIAGRAM



WIRING COLOR CODES

B = black	W = white
G = green	BN = brown
R = red	BL = blue
GY = green/yellow	