



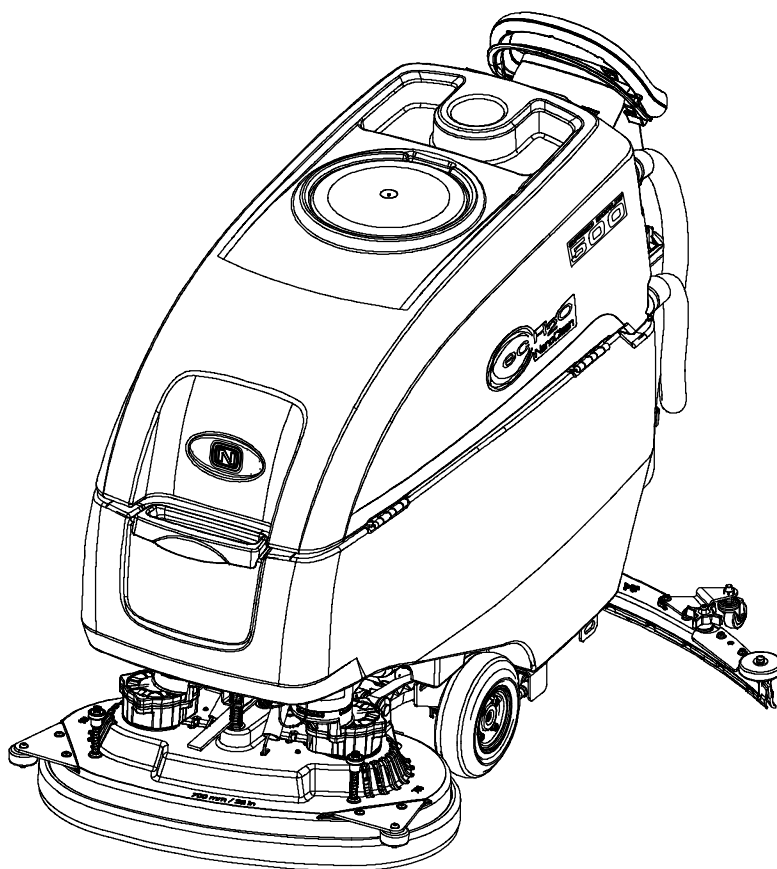
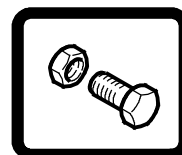
TennantTrue® Parts
IRIS® a Tennant Technology
Insta-Fit™ Adapter
Smart-Fill™ Automatic Battery Watering

SPEED SCRUB® 500

WALK-BEHIND FLOOR SCRUBBER

(S/N 10000000- 20000000)

PARTS MANUAL

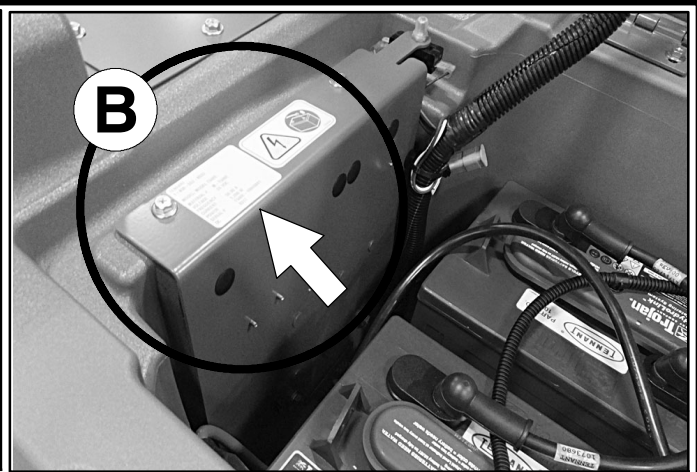
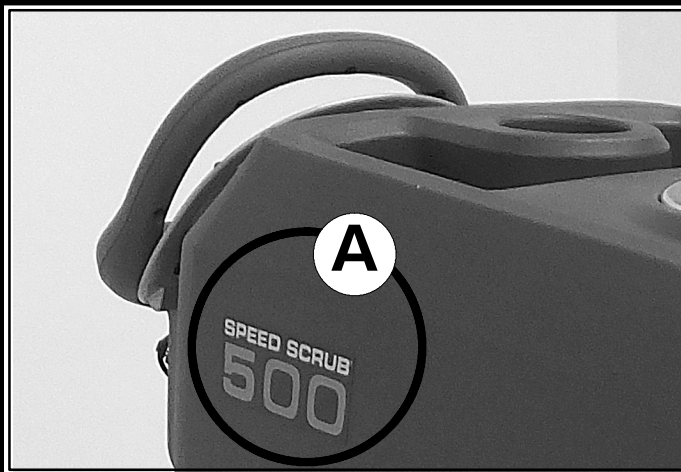


For the latest Parts manuals and other
language Operator manuals, visit:

www.nobles.com/manuals

9015512
Rev. 07 (09-2021)





Ref	Part No.	Serial Number	Description	Qty.
1	82681	(000000-)	Bracket Wldt, Lpg Mount	1
∇ 2	63810	(000000-)	Latch Assy, Lpg Tank Mtg, W/Nut	4
▲ 3	51839	(000000-)	Nut Adjustable, Lpg Tank Mtg	2
4	49263	(000000-)	Tie, Cable	3
(D) 82556	82556	(000000- 001039)	Bracket, Vaporizer	1
	54930	(000000-)	Vaporizer, LPG	1

HOW TO ORDER PARTS - See diagram above

Only use TENNANT Company supplied or equivalent parts. Parts and supplies may be ordered online, by phone, by fax or by mail.

Follow the steps below to ensure prompt delivery.

1. (A) Identify the machine model.
2. (B) Identify the machine serial number from the data label.
3. (C) Ensure the proper serial number is used from the parts list.
4. Identify the part number and quantity.
Do not order by page or reference numbers.
5. Provide your name, company name, customer ID number, billing and shipping address, phone number and purchase order number.
6. Provide detail shipping instructions.

- (D) ∇ - identifies an assembly
▲ - identifies parts included in assembly

Please fill out at time of installation for future reference.

Model No. - _____

Serial No. - _____

Machine Options - _____

Sales Rep. - _____

Sales Rep. phone no. - _____

Customer ID Number - _____

Installation Date - _____

Tennant Company

10400 Clean Street
Eden Prairie, MN 55344- 2650 USA
Phone: (800) 553- 8033

www.nobles.com

Specifications and parts are subject to change without notice.

Copyright © 2021 TENNANT Company, Printed in U.S.A.

STANDARD PARTS

GENERAL RECOMMENDED MAINTENANCE ITEMS	5
REPLACEMENT BRUSHES AND PAD DRIVER DISK	10
REPLACEMENT BRUSHES AND PAD DRIVER DISK	11
REPLACEMENT BRUSHES CYLINDRICAL	12
REPLACEMENT PADS ORBITAL	13
SCRUB HEAD GROUP, DISK 650MM / 26IN ...	14
SCRUB HEAD GROUP, DISK 700MM / 28IN ...	16
SCRUB HEAD GROUP, DISK 800MM / 32IN ...	18
SCRUB HEAD GROUP, CYLINDRICAL 700MM / 28IN	20
SCRUB HEAD GROUP, CYLINDRICAL 700MM / 28IN - CONT'D	22
SCRUB HEAD GROUP, ORBITAL 700MM / 28IN	24
RECOVERY TANK GROUP, PINCH CUFF SCREW CAP	26
RECOVERY TANK GROUP, STANDARD SCREW CAP	28
SOLUTION TANK GROUP	30
STANDARD ELECTRICAL GROUP	32
FRAME AND DRIVE GROUP	34
HEAD LIFT GROUP, DISK	36
HEAD LIFT GROUP, CYLINDRICAL	38
HEAD LIFT GROUP, ORBITAL	40
LOWER CONSOLE GROUP, ON- BOARD CHARGER	42
LOWER CONSOLE GROUP, OFF- BOARD CHARGER	44
CONSOLE GROUP	46
SQUEEGEE LIFT GROUP	48

SQUEEGEE ASSEMBLY, 500MM / 20IN	50
SQUEEGEE ASSEMBLY, 650MM / 26IN (New Style 9021741)	52
SQUEEGEE ASSEMBLY, 650MM / 26IN (Original Style 9015301 - Replaced By 9021741)	54
SQUEEGEE ASSEMBLY, 700MM / 28IN (New Style 9021742)	56
SQUEEGEE ASSEMBLY, 700MM / 28IN (Original Style 9015302 - Replaced By 9021742)	58
SQUEEGEE ASSEMBLY, 800MM / 32IN (New Style 9021743)	60
SQUEEGEE ASSEMBLY, 800MM / 32IN (Original Style 9015303 - Replaced By 9021743)	62
STANDARD SOLUTION GROUP	64
STANDARD BATTERY CABLES GROUP	66
LABEL GROUP	67
ELECTRICAL DIAGRAM (S/N 10995399 -)	68
ELECTRICAL DIAGRAM (S/N 10000000 - 10995388)	76
ELECTRICAL HARNESS, MAIN (S/N 10995399 -)	80
ELECTRICAL HARNESS, MAIN (S/N 10000000 - 10995398)	86
ELECTRICAL HARNESS, OPERATOR STATION	92
ELECTRICAL HARNESS, BAIL SWITCH	94
ELECTRICAL HARNESS, RELAY ADAPTER (TPPL BATTERY OPTION)	95

TABLE OF CONTENTS

OPTIONS

BATTERY GROUP, WET 225AH	96
BATTERY GROUP, WET 260AH	97
BATTERY GROUP, AGM 220AH	98
BATTERY GROUP, TPPL 183AH C/20	99
MANUAL BATTERY WATERING SYSTEM	100
HYDROLINK MANUAL BATTERY WATERING SYSTEM	102
SMART-FILL AUTOMATIC BATTERY WATERING SYSTEM (S/N 10995399 -)	104
SMART-FILL AUTOMATIC BATTERY WATERING SYSTEM (S/N 10000000 - 10995398)	106
ELECTRICAL GROUP, TELEMETRY	108
ELECTRICAL GROUP, TPPL BATTERY	110
LOWER CONSOLE GROUP, ON-BOARD CHARGER, TPPL BATTERY	112
BATTERY CABLES GROUP, TELEMETRY, AGM AND WET	114
BATTERY CABLES GROUP, TPPL BATTERY ..	115
BATTERY CABLES GROUP, TELEMETRY, TPPL BATTERY	116
PINCH CUFF SCREW CAP DRAIN HOSE GROUP	117
CONTROL VALVE DRAIN HOSE GROUP	118
ec-H2O SOLUTION GROUP	120
PARKING BRAKE GROUP	122
DOCUMENTATION GROUP (ONLINE ONLY) ...	124

BREAKDOWNS

AUTOMATIC BATTERY WATERING MODULE BREAKDOWN	125
ec- H2O NANOCLEAN MODULE BREAKDOWN 9020643 (S/N 10983853 -)	126
ec- H2O NANOCLEAN MODULE BREAKDOWN 9011810 (S/N 10000000 - 10983852)	128
ORBITAL HEAD ECCENTRIC DRIVE BREAKDOWN	130

RECOMMENDED MAINTENANCE ITEMS

GENERAL RECOMMENDED MAINTENANCE ITEMS

Part No.	Serial Number	Description	Qty.
1223989	(1000000- 2000000)	Brush Assy, Disk, Scb, 13.0d, Pyp	2
1223991	(1000000- 2000000)	Brush Assy, Disk, Scb, 13.0d, Nyl	2
1223990	(1000000- 2000000)	Brush Assy, Disk, Scb, 13.0d, Sab	2
1243567	(1000000- 2000000)	Pad, Stripper, 13.0d, Brn [1pick=1ctn]	2
1243655	(1000000- 2000000)	Pad, Scb, 13.0d Blu [1pick=1ctn]	2
1243341	(1000000- 2000000)	Pad, Buff, 13.0d, Red [1pick=1ctn]	2
1243342	(1000000- 2000000)	Pad, Polish, 13.0d, White [1pick=1ctn]	2
1243666	(1000000- 2000000)	Pad, Surf Prep, 13.0d Maroon[1pick=1ctn]	2
1240356	(1000000- 2000000)	Pad, Polish, 13.0d, Yel [1pick=1ctn]	2
1220218	(1000000- 2000000)	Brush Assy, Disk, Scb, 14.0d, Pyp	2
1221541	(1000000- 2000000)	Brush Assy, Disk, Scb, 14.0d, Nyl	2
1220217	(1000000- 2000000)	Brush Assy, Disk, Scb, 14.0d, Sab	2
1243657	(1000000- 2000000)	Pad, Stripping, 14.0d Brown [1pick=1ctn]	2
1243344	(1000000- 2000000)	Pad, Scb, 14.0d, Blu [1pick=1ctn]	2
1243656	(1000000- 2000000)	Pad, Buff, 14.0d Red [1pick=1ctn]	2
1243343	(1000000- 2000000)	Pad, Polish, 14.0d, White [1pick=1ctn]	2
1243658	(1000000- 2000000)	Pad, Strip, 14.0d Blk[Hi Prod1pick=1ctn]	2
1243667	(1000000- 2000000)	Pad, Surf Prep, 14.0d Maroon[1pick=1ctn]	2
1240389	(1000000- 2000000)	Pad, Polish, 14.0d, Yel [1pick=1ctn]	2
1220216	(1000000- 2000000)	Brush Assy, Disk, Scb, 16.0d, Pyp	2
1220215	(1000000- 2000000)	Brush Assy, Disk, Scb, 16.0d, Nyl	2
1220214	(1000000- 2000000)	Brush Assy, Disk, Scb, 16.0d, Sab	2
1243685	(1000000- 2000000)	Pad, Stripping, 16.0d, Brn [1pick=1ctn]	2
1243354	(1000000- 2000000)	Pad, Scb, 16.0d, Blu [1pick=1ctn]	2
1243355	(1000000- 2000000)	Pad, Buff, 16.0d, Red [1pick=1ctn]	2
1243356	(1000000- 2000000)	Pad, Polish, 16.0d, White [1pick=1ctn]	2
1243659	(1000000- 2000000)	Pad, Strip, 16.0d Blk[Hi Prod1pick=1ctn]	2
1243668	(1000000- 2000000)	Pad, Surf Prep, 16.0d Maroon[1pick=1ctn]	2
1240390	(1000000- 2000000)	Pad, Polish, 16.0d, Yel [1pick=1ctn]	2
222304	(1000000- 2000000)	Brush, Scb, 28l, 18sr, Pyp, Spl	2
222305	(1000000- 2000000)	Brush, Scb, 28l, 18sr, Nyl, Spl	2
222306	(1000000- 2000000)	Brush, Scb, 28l, 18sr, Abr, Spl	2
1223247	(1000000- 2000000)	Pad, Scb, 28 X 14, Blu [1pc=1pad]	1
1244690	(1000000- 2000000)	Pad, Buff, 28 X 14, Red [1pick=1ctn]	1
1223246	(1000000- 2000000)	Pad, Polish, 28 X 14, White [1pc=1pad]	1
1223248	(1000000- 2000000)	Pad, Surf Prep, 28 X 14, Mar [1pc=1pad]	1
1223250	(1000000- 2000000)	Pad, Scb, 28 X 14, Green [1pick=1ctn]	1
1075563	(1000000- 2000000)	Pad, Stripping, 28 X 14, Blk [1pick=1ctn]	1
1228002	(1000000- 2000000)	Pad, Melamine, 14" X 28" [Case Of 5]	1
1240343	(1000000- 2000000)	Pad, Polish, 28 X 14, Yel [1pick=1ctn]	1
1221839	(1000000- 2000000)	Pad, Backer, 28 X 14 (Includes Velcro Fasteners)	1
222403	(1000000- 2000000)	Wheel, 02.0d 0.88w 0.50b (Disk Head)	2
1232324	(1000000- 2000000)	Bumper, Head, 65cm, Skirt, Im	1
1232325	(1000000- 2000000)	Bumper, Head, 70cm, Skirt, Im	1
1232326	(1000000- 2000000)	Bumper, Head, 80cm, Skirt, Im	1
630477	(1000000- 2000000)	Wheel, Pyu, 02.0d 0.38w, Gray (Cylindrical Head)	6
1014918	(1000000- 2000000)	Wheel, 03.0d 0.88w 0.31b, W/ Bshg, Rbr (Orbital Head)	2
1218573	(1000000- 2000000)	Skirt, Side, Scrb, Cyl [T500]	4
▽ 9015765	(1000000- 2000000)	Belt Kit, Motor, Ci (Cylindrical Head)	1
▲ 1035888	(1000000- 2000000)	Belt, Drive, 6grv, 508 L X 14 W, [6pj]	2
▲ 1203758	(1000000- 2000000)	Tool, Installation, Belt	1

RECOMMENDED MAINTENANCE ITEMS

GENERAL RECOMMENDED MAINTENANCE ITEMS

	Part No.	Serial Number	Description	Qty.
▽	9015731	(10000000- 20000000)	Blade Kit, 500mm, Linatex (Standard)	1
▲	1203953	(10000000- 20000000)	Blade, Sqge, Rear, 836l, Linatex[500mm] (Standard)	1
▲	1203954	(10000000- 20000000)	Blade, Sqge, Front, 788l, Linatex[500mm] (Standard)	1
▽	9015732	(10000000- 20000000)	Blade Kit, 500mm, Urethane (Option)	1
▲	1215609	(10000000- 20000000)	Blade, Sqge, Rear, 836l, Urethane[500mm] (Option)	1
▲	1215611	(10000000- 20000000)	Blade, Sqge, Front, 788l, Urethane[500mm] (Option)	1
▽	9015730	(10000000- 20000000)	Blade Kit, 500mm, Gum (Option)	1
▲	1215610	(10000000- 20000000)	Blade, Sqge, Rear, 836l, Gum[500mm] (Option)	1
▲	1215612	(10000000- 20000000)	Blade, Sqge, Front, 788l, Gum[500mm] (Option)	1
▽	9015734	(10000000- 20000000)	Blade Kit, 650mm, Linatex/Linard (Standard)	1
▲	1221585	(10000000- 20000000)	Blade, Sqge, Rear, 1166l, Linatex[650mm] (Standard)	1
▲	1232680	(10000000- 20000000)	Blade, Sqge, Front, 1072l Linard[650mm] (Standard)	1
▽	9015735	(10000000- 20000000)	Blade Kit, 650mm, Urethane (Option)	1
▲	1228909	(10000000- 20000000)	Blade, Sqge, Rear, 1136l,Urethane[650mm] (Option)	1
▲	1228915	(10000000- 20000000)	Blade, Sqge, Front,1072l,Urethane[650mm] (Option)	1
▽	9015733	(10000000- 20000000)	Blade Kit, 650mm, Gum (Option)	1
▲	1228910	(10000000- 20000000)	Blade, Sqge, Rear, 1136l, Gum[650mm] (Option)	1
▲	1228919	(10000000- 20000000)	Blade, Sqge, Front, 1072l Gum[650mm] (Option)	1
▽	9015737	(10000000- 20000000)	Blade Kit, 700mm, Linatex/Linard (Standard)	1
▲	1221572	(10000000- 20000000)	Blade, Sqge, Rear, 1204l, Linatex[700mm] (Standard)	1
▲	1232679	(10000000- 20000000)	Blade, Sqge, Front, 1148l Linard[700mm] (Standard)	1
▽	9015738	(10000000- 20000000)	Blade Kit, 700mm, Urethane (Option)	1
▲	1228904	(10000000- 20000000)	Blade, Sqge, Rear, 1204l,Urethane[700mm] (Option)	1
▲	1228906	(10000000- 20000000)	Blade, Sqge, Front,1148l Urethane[700mm] (Option)	1
▽	9015736	(10000000- 20000000)	Blade Kit, 700mm, Gum (Option)	1
▲	1228905	(10000000- 20000000)	Blade, Sqge, Rear, 1204l, Gum[700mm] (Option)	1
▲	1228907	(10000000- 20000000)	Blade, Sqge, Front, 1148l Gum[700mm] (Option)	1
▽	9015740	(10000000- 20000000)	Blade Kit, 800mm, Linatex/Linard (Standard)	1
▲	1221115	(10000000- 20000000)	Blade, Sqge, Rear, 1306l, Linatex[800mm] (Standard)	1
▲	1232681	(10000000- 20000000)	Blade, Sqge, Front, 1256l Linard[800mm] (Standard)	1
▽	9015741	(10000000- 20000000)	Blade Kit, 800mm, Urethane (Option)	1
▲	1228920	(10000000- 20000000)	Blade, Sqge, Rear, 1306l,Urethane[800mm] (Option)	1
▲	1228922	(10000000- 20000000)	Blade, Sqge, Front,1256l Urethane[800mm] (Option)	1
▽	9015739	(10000000- 20000000)	Blade Kit, 800mm, Gum (Option)	1
▲	1228921	(10000000- 20000000)	Blade, Sqge, Rear, 1306l, Gum[800mm] (Option)	1
▲	1228923	(10000000- 20000000)	Blade, Sqge, Front, 1256l Gum[800mm] (Option)	1

RECOMMENDED MAINTENANCE ITEMS

GENERAL RECOMMENDED MAINTENANCE ITEMS

Part No.	Serial Number	Description	Qty.
630052	(10000000- 20000000)	Float, Shut- Off, (2)Ball, 1.75d	1
9015756	(10000000- 20000000)	Seal, Cover, Recvy, Ci [T500]	1
1211220	(10000000- 20000000)	Hose Assy,W/2cuff,1.5d 022l 1.5/1.5[Pvc] (Black - Standard)	1
1224414	(10000000- 10972171)	Hose Assy, W/2cuff,1.5d 033l 1.5/1.5[Pu] (Gray - Option) (No Longer Available - Replaced by 1211220 - Black PVC)	1
∇	1248221	(10972172- 20000000) Hose Assy, Drain, 1.5id X 11.0l [Pvc] (Black - Standard)	1
▲∇	1232385	(10972172- 20000000) Cap, Drain Assy [Black, T500e]	1
▲▲	1008637	(10000000- 20000000) Seal, Org, 1.48id 1.76od	1
∇	1228252	(10000000- 10972171) Hose Assy, Drain, 1.5d 014l 2/1.5cap Pvc (Black - Standard) (Replaced by 1248221 - Pinch Cuff Screw Cap Style)	1
▲∇	1218955	(10000000- 10972171) Cap, Drain Assy [Black]	1
▲▲	1008637	(10000000- 20000000) Seal, Org, 1.48id 1.76od	1
	9015758	(10000000- 20000000) Seal, Tank, Soltn, Ci [T500/T500e]	1
	1066431	(10000000- 20000000) Seal, Afmkt, Bulb, Dual, 03ft [F/.30gap](Soltn Tank Front)	1
	1212422	(10000000- 20000000) Caster, Swivel [Wicke 224051]	2
∇	9004909	(10000000- 20000000) Wheel Kit, Solid, Ci [T5 T5e Ss5]	1
▲	1223583	(10000000- 20000000) Wheel, Scrbr, 213mm, W/ Taper	2
∇	1031723	(10000000- 20000000) Motor, Transaxle, 24vdc, Afmkt [T5]	1
▲	614166	(10000000- 20000000) Brush Kit, Carbon, Transaxle, Replmt [4]	1
∇	1219312	(10000000- 20000000) Fan, Vacuum, 5.7d, 024vdc, 2 Stage (Canada Also Require Qty 1 Ferrite #1065665)	1
▲	372883	(10000000- 20000000) Vr, Brush Kit, Motor, Ele	1
	1065665	(10000000- 20000000) Inductor, 32.3mml [Ferrite 10- 250mhz] (Canada Only)	1
	100038	(10000000- 20000000) Gasket, .50, 02.63id 05.75od, Adh [Epdm]	1
∇	1211537	(10000000- 20000000) Filter, In- Line, Pf06/Pf06 080m 2.6l Epd	1
▲	1218885	(10000000- 20000000) Gasket [Epdm, F/1211537]	1
▲	1218883	(10000000- 20000000) Screen, Fltr, 80 Mesh, Ss [W/ Cage]	1
▲	613991	(10000000- 20000000) Bowl, Clr, Short, F/1005302	1
	9020643	(10983853- 20000000) Module Kit, Replmt [Ec- H2o, B 02] (Includes Cartridge)	1
	9011810	(10000000- 10983852) Module Kit, Replmt [Ec- H2o, B 02] (Includes Cartridge) (Replaced By 9020643)	1
	9014127	(10000000- 20000000) Controller Kit, Replmt [Ec- H2o Nc] (Includes Cartridge)	1
	9013646	(10000000- 20000000) Cartridge, Ec- H2o Nanoclean Wcm, 270ml	1
∇	1247144	(10951746- 10972171) Hose Assy, Drain, 1.5id X 21.0l [Pu] (Gray - Option) (No Longer Available - Replaced by 1248221 Black PVC)	1
▲∇	1247319	(10951746- 10972171) Cap, Drain Assy, D- Ring [Gray] (No Longer Available - Replaced by 1248221 Black PVC)	1
▲▲	1008637	(10000000- 20000000) Seal, Org, 1.48id 1.76od	1
∇	9015727	(10000000- 10951745) Hose Kit, Drain, Pu, W/ Valve, Ci[T500e] (Gray - Option) (No Longer Available - Replaced by 1248221 Black PVC Pinch Cuff Screw Cap Style)	1
▲	1051986	(10000000- 10951745) Valve, Ball, 2way, 1.0id Pvc, W/Handle (No Longer Available - Replaced by 1248221 Black PVC Pinch Cuff Screw Cap Style)	1
▲	1228335	(10000000- 10951745) Hose Assy, W/2cuff,1.5d 022l 2.0/1.5[Pu] (Gray - Option)	1
▲	1229567	(10000000- 10951745) Strap, Hanger	1

RECOMMENDED MAINTENANCE ITEMS

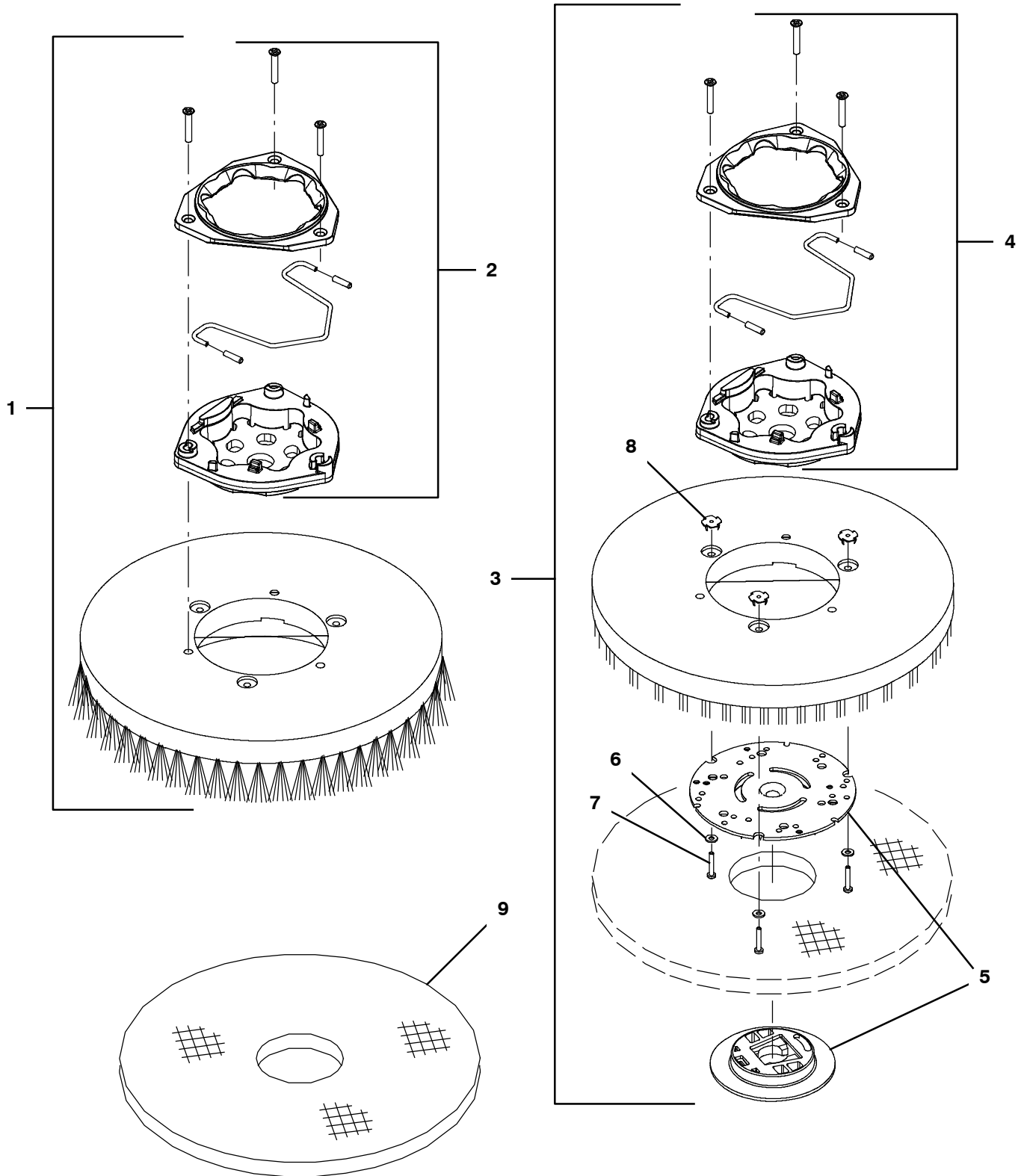
GENERAL RECOMMENDED MAINTENANCE ITEMS

	Part No.	Serial Number	Description	Qty.
▽	1023067	(10000000- 20000000)	Motor, Ele, 24vdc 0220rpm 0.75hp Gear (Disk Head) (Canada Also Requires Ferrite Qty 2 #1227867 & Qty 1 #1065665)	2
▲	1031775	(10000000- 20000000)	Brush Kit, Carbon, Motor, Replmt [T5] (Disk Head)	1
	1227867	(10000000- 20000000)	Inductor, Ferrite [Split Case,407@100hz] (Canada Only)	4
	1065665	(10000000- 20000000)	Inductor, 32.3mml [Ferrite 10- 250mhz] (Canada Only)	2
▽	1223429	(10000000- 20000000)	Motor, Ele, 24vdc 1500rpm 0.60hp (Cylindrical Head) (Canada Also Require Qty 1 Ferrite #1065665)	2
▲	1031775	(10000000- 20000000)	Brush Kit, Carbon, Motor, Replmt [T5] (Cylindrical Head)	1
	1065665	(10000000- 20000000)	Inductor, 32.3mml [Ferrite 10- 250mhz] (Canada Only)	2
▽	1219913	(10000000- 20000000)	Motor, Ele, 24vdc, 2200rpm, 0.75hp 28.0a (Orbital Head)	1
▲	1059370	(10000000- 20000000)	Brush, Motor, Replmt [Bag Of 4) (Orbital Head)	1

RECOMMENDED MAINTENANCE ITEMS

REPLACEMENT BRUSHES AND PAD DRIVER DISK

355426



REPLACEMENT BRUSHES AND PAD DRIVER DISK

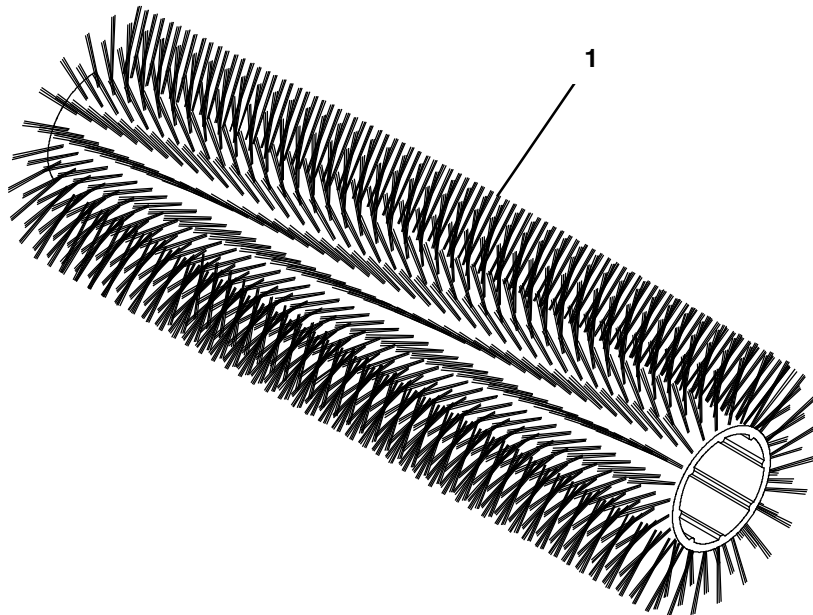
Ref.	Part No.	Serial Number	Description	Qty.
▽	1	1223989	(10000000- 20000000) Brush Assy, Disk, Scb, 13.0d, Pyp	2
▽	1	1223991	(10000000- 20000000) Brush Assy, Disk, Scb, 13.0d, Nyl	2
▽	1	1223990	(10000000- 20000000) Brush Assy, Disk, Scb, 13.0d, Sab	2
▽	1	1220218	(10000000- 20000000) Brush Assy, Disk, Scb, 14.0d, Pyp	2
▽	1	1221541	(10000000- 20000000) Brush Assy, Disk, Scb, 14.0d, Nyl	2
▽	1	1220217	(10000000- 20000000) Brush Assy, Disk, Scb, 14.0d, Sab	2
▽	1	1220216	(10000000- 20000000) Brush Assy, Disk, Scb, 16.0d, Pyp	2
▽	1	1220215	(10000000- 20000000) Brush Assy, Disk, Scb, 16.0d, Nyl	2
▽	1	1220214	(10000000- 20000000) Brush Assy, Disk, Scb, 16.0d, Sab	2
▲	2	9014667	(10000000- 20000000) Brush Kit, Hub Assy, Drive, Ci [Comm]	1
▽	3	1220220	(10000000- 20000000) Driver Assy, Pad, 13.0d, Brush	2
▽	3	1220221	(10000000- 20000000) Driver Assy, Pad, 14.0d, Brush	2
▽	3	1220222	(10000000- 20000000) Driver Assy, Pad, 16.0d, Brush	2
▲	4	9014667	(10000000- 20000000) Brush Kit, Hub Assy, Drive, Ci [Comm]	1
▲	5	370095	(10000000- 20000000) Device, Centering, Clip On, TI [Gf Pp]	1
▲	6	41579	(10000000- 20000000) Washer, Flat, 08, Ss	3
▲	7	04403	(10000000- 20000000) Screw, Pan, Phl, M4 X 0.70 X 25, Nl, Ss	3
▲	8	10908	(10000000- 20000000) Nut, T, M4 X 0.70	3
	9	1243567	(10000000- 20000000) Pad, Stripper, 13.0d, Brn [1pick=1ctn]	2
	9	1243655	(10000000- 20000000) Pad, Scb, 13.0d Blu [1pick=1ctn]	2
	9	1243341	(10000000- 20000000) Pad, Buff, 13.0d, Red [1pick=1ctn]	2
	9	1243342	(10000000- 20000000) Pad, Polish, 13.0d, White [1pick=1ctn]	2
	9	1243666	(10000000- 20000000) Pad, Surf Prep, 13.0d Maroon[1pick=1ctn]	2
	9	1240356	(10000000- 20000000) Pad, Polish, 13.0d, Yel [1pick=1ctn]	2
	9	1243657	(10000000- 20000000) Pad, Stripping, 14.0d Brown [1pick=1ctn]	2
	9	1243344	(10000000- 20000000) Pad, Scb, 14.0d, Blu [1pick=1ctn]	2
	9	1243656	(10000000- 20000000) Pad, Buff, 14.0d Red [1pick=1ctn]	2
	9	1243343	(10000000- 20000000) Pad, Polish, 14.0d, White [1pick=1ctn]	2
	9	1243658	(10000000- 20000000) Pad, Strip, 14.0d Blk[Hi Prod1pick=1ctn]	2
	9	1243667	(10000000- 20000000) Pad, Surf Prep, 14.0d Maroon[1pick=1ctn]	2
	9	1240389	(10000000- 20000000) Pad, Polish, 14.0d, Yel [1pick=1ctn]	2
	9	1243685	(10000000- 20000000) Pad, Stripping, 16.0d, Brn [1pick=1ctn]	2
	9	1243354	(10000000- 20000000) Pad, Scb, 16.0d, Blu [1pick=1ctn]	2
	9	1243355	(10000000- 20000000) Pad, Buff, 16.0d, Red [1pick=1ctn]	2
	9	1243356	(10000000- 20000000) Pad, Polish, 16.0d, White [1pick=1ctn]	2
	9	1243659	(10000000- 20000000) Pad, Strip, 16.0d Blk[Hi Prod1pick=1ctn]	2
	9	1243668	(10000000- 20000000) Pad, Surf Prep, 16.0d Maroon[1pick=1ctn]	2
	9	1240390	(10000000- 20000000) Pad, Polish, 16.0d, Yel [1pick=1ctn]	2

▽ ASSEMBLY

▲ INCLUDED IN ASSEMBLY

REPLACEMENT BRUSHES CYLINDRICAL

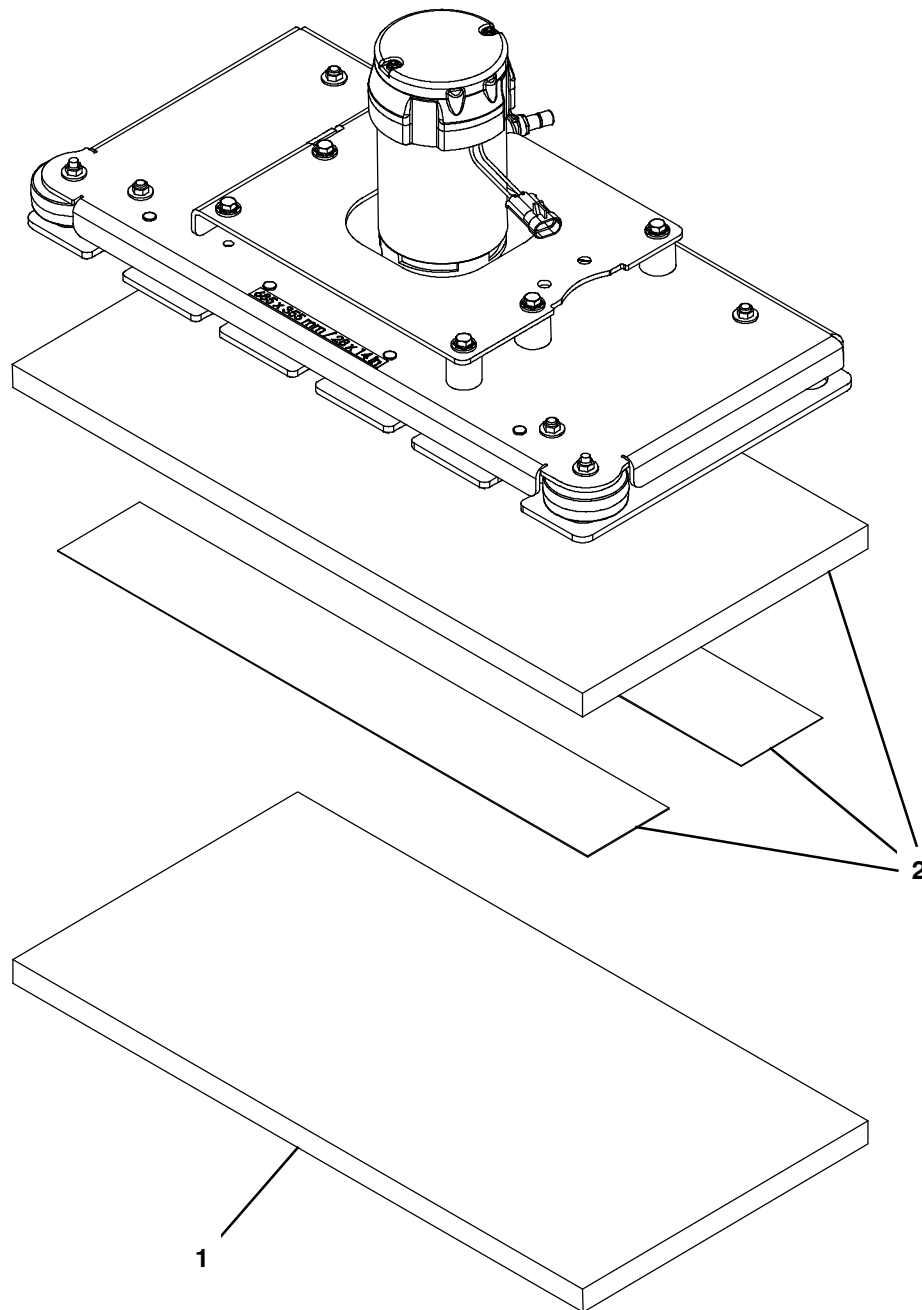
355427



Ref.	Part No.	Serial Number	Description	Qty.
1	222304	(10000000-20000000)	Brush, Scb, 28l, 18sr, Pyp, Spl	2
1	222305	(10000000-20000000)	Brush, Scb, 28l, 18sr, Nyl, Spl	2
1	222306	(10000000-20000000)	Brush, Scb, 28l, 18sr, Abr, Spl	2

REPLACEMENT PADS ORBITAL

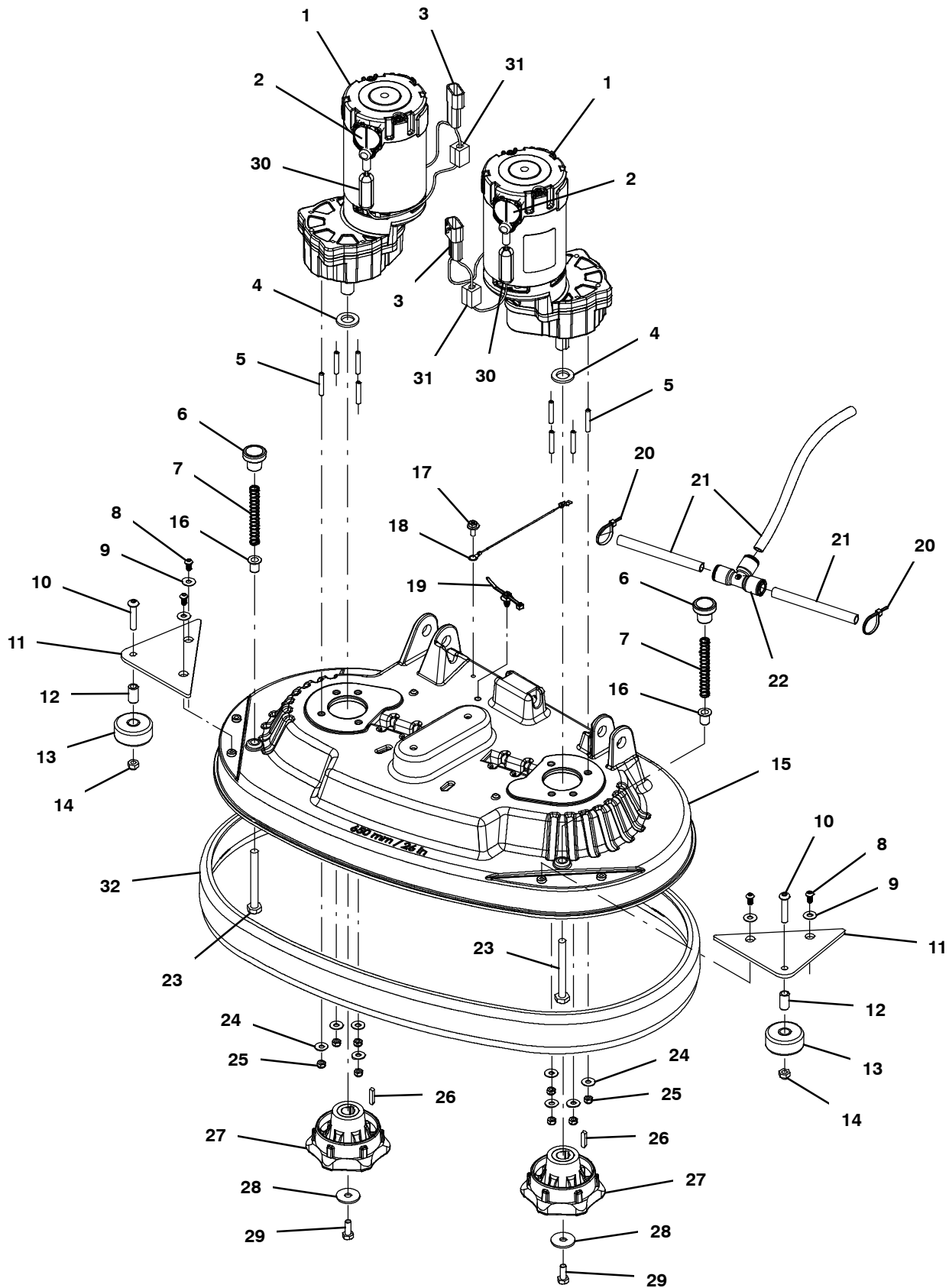
355478



Ref.	Part No.	Serial Number	Description	Qty.
1	1223247	(10000000- 20000000)	Pad, Scb, 28 X 14, Blu [1pc=1pad]	1
1	1244690	(10000000- 20000000)	Pad, Buff, 28 X 14, Red [1pick=1ctn]	1
1	1223246	(10000000- 20000000)	Pad, Polish, 28 X 14, White [1pc=1pad]	1
1	1223248	(10000000- 20000000)	Pad, Surf Prep, 28 X 14, Mar [1pc=1pad]	1
1	1223250	(10000000- 20000000)	Pad, Scb, 28 X 14, Green [1pick=1ctn]	1
1	1075563	(10000000- 20000000)	Pad, Stripping, 28 X 14, Blk [1pick=1ctn]	1
1	1228002	(10000000- 20000000)	Pad, Melamine, 14" X 28" [Case Of 5]	1
1	1240343	(10000000- 20000000)	Pad, Polish, 28 X 14, Yel [1pick=1ctn]	1
2	1221839	(10000000- 20000000)	Pad, Backer, 28 X 14 (Includes Velcro Fasteners)	1

SCRUB HEAD GROUP, DISK 650MM / 26IN

355666



SCRUB HEAD GROUP, DISK 650MM / 26IN

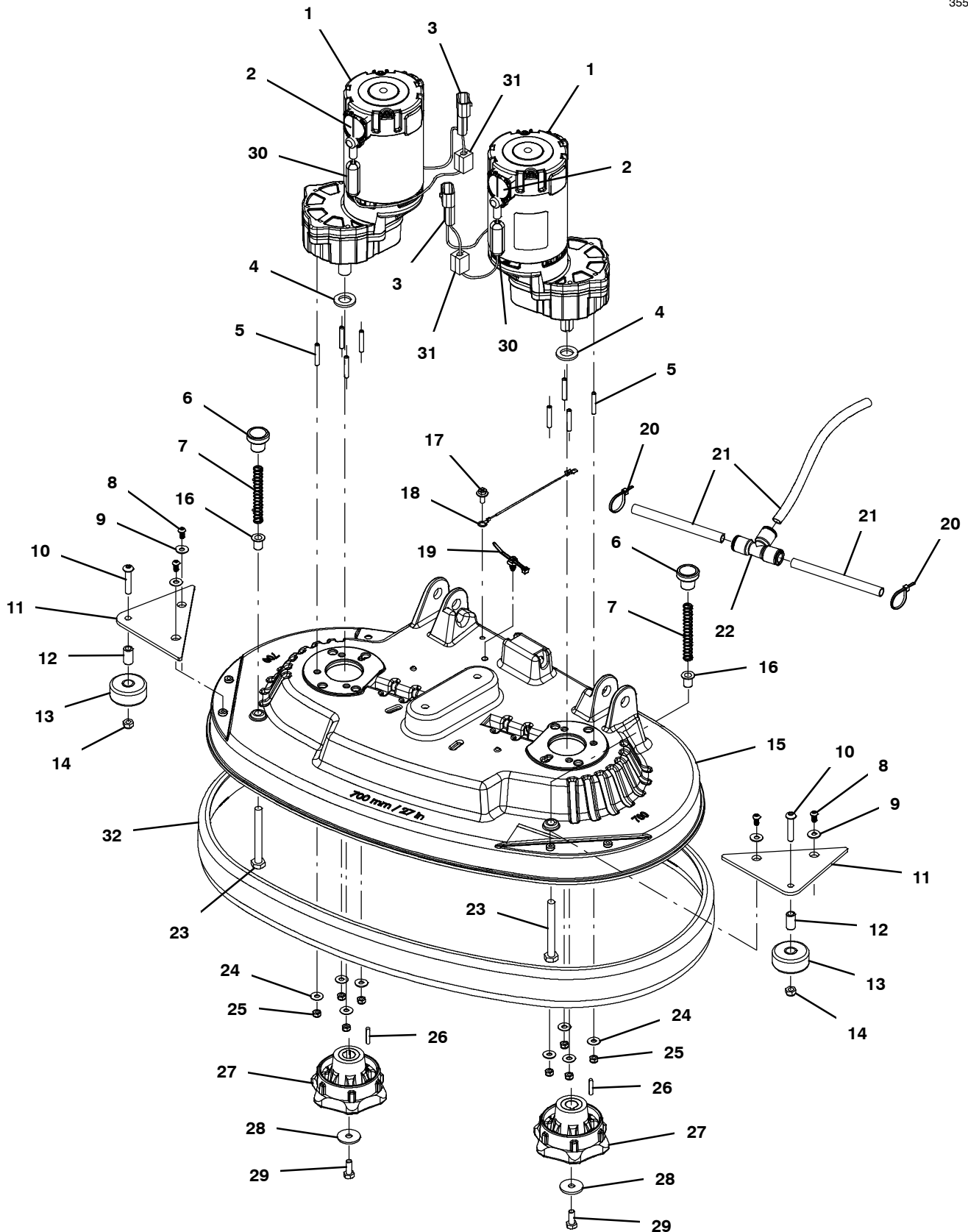
Ref.	Part No.	Serial Number	Description	Qty.
▽	1	1023067	(10000000- 20000000) Motor, Ele, 24vdc 0220rpm 0.75hp Gear (Canada Also Requires Ferrite Qty 2 #1227867 & Qty 1 #1065665)	2
▲	2	1031775	(10000000- 20000000) Brush Kit, Carbon, Motor, Replmt [T5]	1
▲	3	1031681	(10000000- 20000000) Harness, Connector, Brush- Motor [T5] Us	1
	4	1022549	(10000000- 20000000) Spacer, Shaft, 17.15b 30.0d 3.0l, Ss	2
	5	1025853	(10000000- 20000000) Screw, Set, M6 X 1.00 X 35, NI, Ss	8
	6	1222988	(10000000- 20000000) Knob, Rnd, 31.0d 27.0l M10, Plstc	2
	7	626081	(10000000- 20000000) Spring, Cmpr, 0.48od .04wir 03.5l	2
	8	1227865	(10000000- 20000000) Screw, Trs, M6 X 1.0 X 12, Phl, Ss, NI	4
	9	01684	(10000000- 20000000) Washer, Flat, 0.27b 0.69d .05, Ss	4
	10	397826	(10000000- 20000000) Screw, Btn, M8 X 1.25 X 40, Ss	2
	11	1227709	(10000000- 20000000) Bracket, Roller, Wall	2
	12	222496	(10000000- 20000000) Sleeve, P/M, 0.32b 0.50d 0.9l [430ss]	2
	13	222403	(10000000- 20000000) Wheel, 02.0d 0.88w 0.50b	2
	14	08713	(10000000- 20000000) Nut, Hex, Lock, M8 X 1.25, NI, Ss	2
▽	15	9018835	(10000000- 20000000) Housing, Disc, 65cm, Afmkt [T600, Na,Ce]	1
▲	16	1247152	(10000000- 20000000) Bushing, Flng, 10mmb 12mmd 17mml	2
	17	1034731	(10000000- 20000000) Screw, Hex, M6 X 1.00 X 16, Sems, Ss	1
	18	1074344	(10000000- 20000000) Harness, Ele [Ring With .250m Tail]	1
	19	1210807	(10000000- 20000000) Wire, Tie [W/.25" Fir Tree Clip]	1
	20	130773	(10000000- 20000000) Tie, Cable, Nyl, 11.0l, .14w, 3.0 Max. D	2
	21	9014145	(10000000- 20000000) Hose, Afmkt, Pe, .375id .50od, 05ft	1
	22	1212858	(10000000- 20000000) Fitting, Plstc, Tee, Qf08/Qf08/Qf08	1
	23	09746	(10000000- 20000000) Screw, Hex, M10 X 1.50 X 90, Ss	2
	24	01684	(10000000- 20000000) Washer, Flat, 0.27b 0.69d .05, Ss	8
	25	08712	(10000000- 20000000) Nut, Hex, Lock, M6 X 1.00, NI, Ss	8
	26	1014328	(10000000- 20000000) Key, Sq, 05mm X 05mm, 25mml	2
	27	1071637	(10000000- 20000000) Hub, Drive, Brush, Disk, 17mmb	2
	28	1017218	(10000000- 20000000) Washer, Flat, 0.32b 1.00d .12, Ss	2
	29	12273	(10000000- 20000000) Screw, Hex, M8 X 1.25 X 20, NI, Ss	2
	30	1227867	(10000000- 20000000) Inductor, Ferrite [Split Case,407@100hz] (Canada Only)	4
	31	1065665	(10000000- 20000000) Inductor, 32.3mml [Ferrite 10- 250mhz] (Canada Only)	2
	32	1232324	(10000000- 20000000) Bumper, Head, 65cm, Skirt, Im	1

▽ ASSEMBLY

▲ INCLUDED IN ASSEMBLY

SCRUB HEAD GROUP, DISK 700MM / 28IN

355667



SCRUB HEAD GROUP, DISK 700MM / 28IN

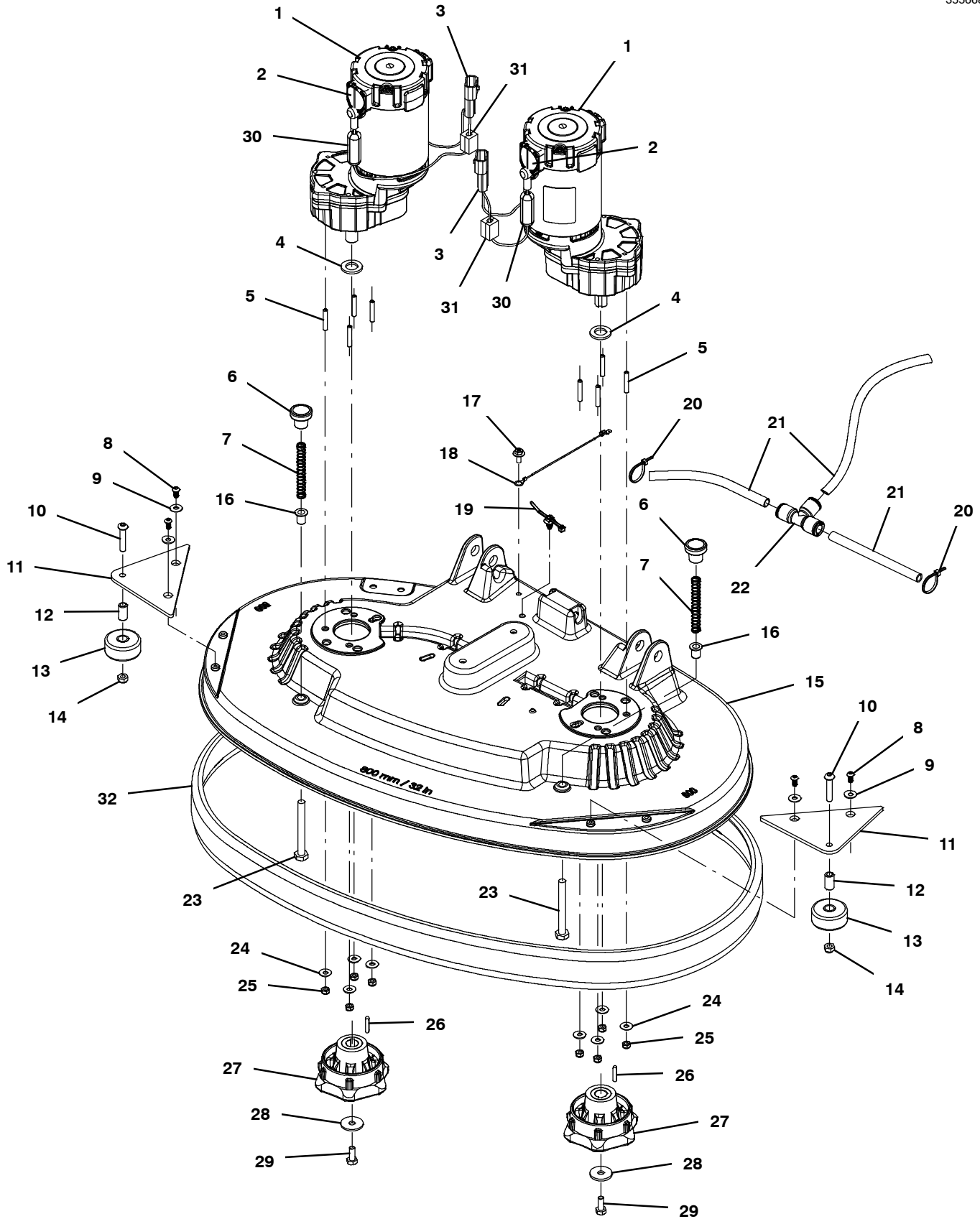
Ref.	Part No.	Serial Number	Description	Qty.
▽	1	1023067	(10000000- 20000000) Motor, Ele, 24vdc 0220rpm 0.75hp Gear (Canada Also Requires Ferrite Qty 2 #1227867 & Qty 1 #1065665)	2
▲	2	1031775	(10000000- 20000000) Brush Kit, Carbon, Motor, Replmt [T5]	1
▲	3	1031681	(10000000- 20000000) Harness, Connector, Brush- Motor [T5] Us	1
	4	1022549	(10000000- 20000000) Spacer, Shaft, 17.15b 30.0d 3.0l, Ss	2
	5	1025853	(10000000- 20000000) Screw, Set, M6 X 1.00 X 35, NI, Ss	8
	6	1222988	(10000000- 20000000) Knob, Rnd, 31.0d 27.0l M10, Plstc	2
	7	626081	(10000000- 20000000) Spring, Cmpr, 0.48od .04wir 03.5l	2
	8	1227865	(10000000- 20000000) Screw, Trs, M6 X 1.0 X 12, Phl, Ss, NI	4
	9	01684	(10000000- 20000000) Washer, Flat, 0.27b 0.69d .05, Ss	4
	10	397826	(10000000- 20000000) Screw, Btn, M8 X 1.25 X 40, Ss	2
	11	1227709	(10000000- 20000000) Bracket, Roller, Wall	2
	12	222496	(10000000- 20000000) Sleeve, P/M, 0.32b 0.50d 0.9l [430ss]	2
	13	222403	(10000000- 20000000) Wheel, 02.0d 0.88w 0.50b	2
	14	08713	(10000000- 20000000) Nut, Hex, Lock, M8 X 1.25, NI, Ss	2
▽	15	9018824	(10000000- 20000000) Housing, Disc, 70cm, Afmkt [T600, Na,Ce]	1
▲	16	1247152	(10000000- 20000000) Bushing, Flng, 10mmb 12mmd 17mml	2
	17	1034731	(10000000- 20000000) Screw, Hex, M6 X 1.00 X 16, Sems, Ss	1
	18	1074344	(10000000- 20000000) Harness, Ele [Ring With .250m Tail]	1
	19	1210807	(10000000- 20000000) Wire, Tie [W/.25" Fir Tree Clip]	1
	20	130773	(10000000- 20000000) Tie, Cable, Nyl, 11.0l, .14w, 3.0 Max. D	2
	21	9014145	(10000000- 20000000) Hose, Afmkt, Pe, .375id .50od, 05ft	1
	22	1212858	(10000000- 20000000) Fitting, Plstc, Tee, Qf08/Qf08/Qf08	1
	23	09746	(10000000- 20000000) Screw, Hex, M10 X 1.50 X 90, Ss	2
	24	01684	(10000000- 20000000) Washer, Flat, 0.27b 0.69d .05, Ss	8
	25	08712	(10000000- 20000000) Nut, Hex, Lock, M6 X 1.00, NI, Ss	8
	26	1014328	(10000000- 20000000) Key, Sq, 05mm X 05mm, 25mml	2
	27	1071637	(10000000- 20000000) Hub, Drive, Brush, Disk, 17mmb	2
	28	1017218	(10000000- 20000000) Washer, Flat, 0.32b 1.00d .12, Ss	2
	29	12273	(10000000- 20000000) Screw, Hex, M8 X 1.25 X 20, NI, Ss	2
	30	1227867	(10000000- 20000000) Inductor, Ferrite [Split Case,407@100hz] (Canada Only)	4
	31	1065665	(10000000- 20000000) Inductor, 32.3mml [Ferrite 10- 250mhz] (Canada Only)	2
	32	1232325	(10000000- 20000000) Bumper, Head, 70cm, Skirt, Im	1

▽ ASSEMBLY

▲ INCLUDED IN ASSEMBLY

SCRUB HEAD GROUP, DISK 800MM / 32IN

355668



SCRUB HEAD GROUP, DISK 800MM / 32IN

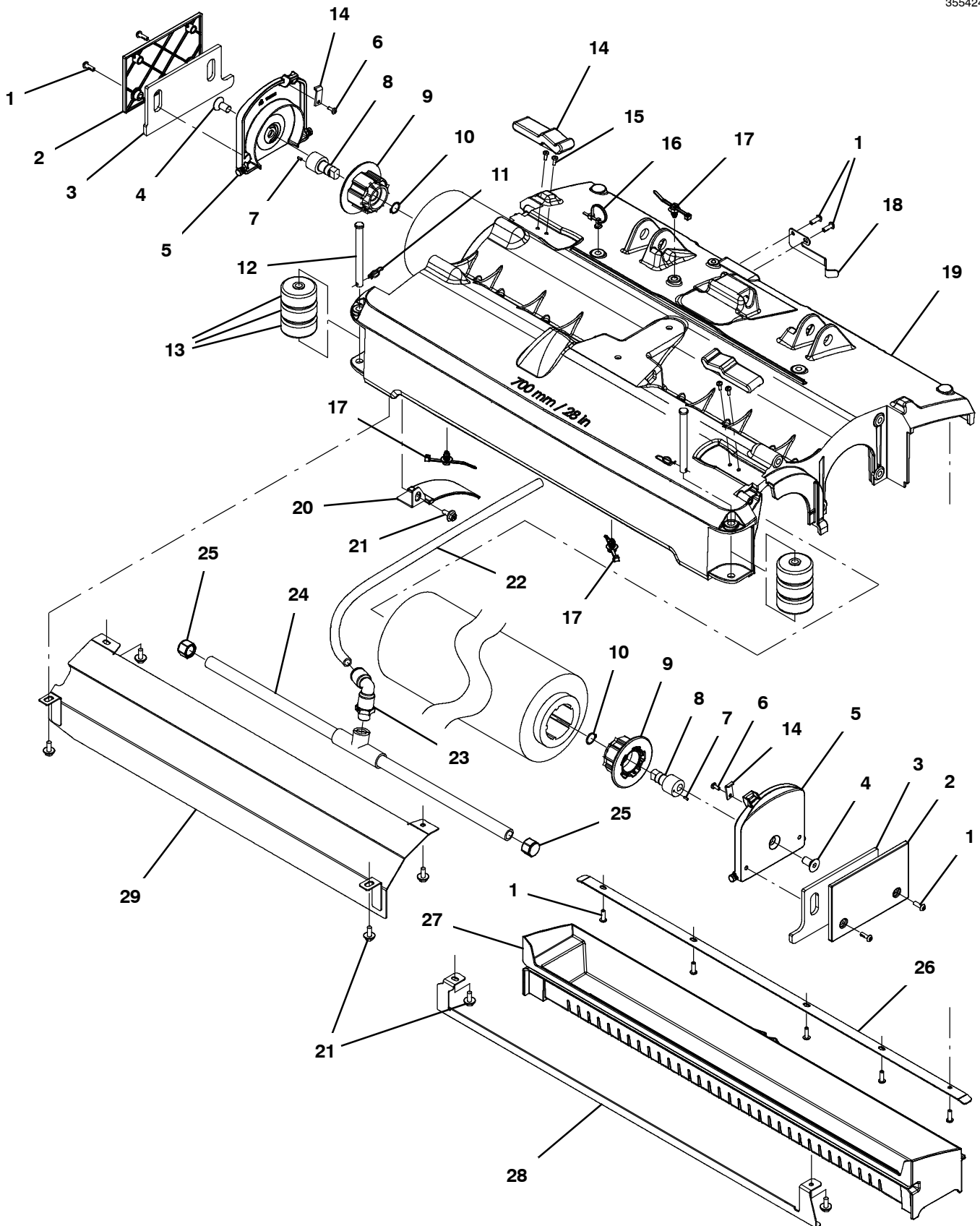
Ref.	Part No.	Serial Number	Description	Qty.
▽	1	1023067	(10000000- 20000000) Motor, Ele, 24vdc 0220rpm 0.75hp Gear (Canada Also Requires Ferrite Qty 2 #1227867 & Qty 1 #1065665)	2
▲	2	1031775	(10000000- 20000000) Brush Kit, Carbon, Motor, Replmt [T5]	1
▲	3	1031681	(10000000- 20000000) Harness, Connector, Brush- Motor [T5] Us	1
	4	1022549	(10000000- 20000000) Spacer, Shaft, 17.15b 30.0d 3.0l, Ss	2
	5	1025853	(10000000- 20000000) Screw, Set, M6 X 1.00 X 35, NI, Ss	8
	6	1222988	(10000000- 20000000) Knob, Rnd, 31.0d 27.0l M10, Plstc	2
	7	626081	(10000000- 20000000) Spring, Cmpr, 0.48od .04wir 03.5l	2
	8	1227865	(10000000- 20000000) Screw, Trs, M6 X 1.0 X 12, Phl, Ss, NI	4
	9	01684	(10000000- 20000000) Washer, Flat, 0.27b 0.69d .05, Ss	4
	10	397826	(10000000- 20000000) Screw, Btn, M8 X 1.25 X 40, Ss	2
	11	1227709	(10000000- 20000000) Bracket, Roller, Wall	2
	12	222496	(10000000- 20000000) Sleeve, P/M, 0.32b 0.50d 0.9l [430ss]	2
	13	222403	(10000000- 20000000) Wheel, 02.0d 0.88w 0.50b	2
	14	08713	(10000000- 20000000) Nut, Hex, Lock, M8 X 1.25, NI, Ss	2
▽	15	9018823	(10000000- 20000000) Housing, Disc, 80cm, Afmkt [T600, Na,Ce]	1
▲	16	1247152	(10000000- 20000000) Bushing, Flng, 10mmb 12mmd 17mml	2
	17	1034731	(10000000- 20000000) Screw, Hex, M6 X 1.00 X 16, Sems, Ss	1
	18	1074344	(10000000- 20000000) Harness, Ele [Ring With .250m Tail]	1
	19	1210807	(10000000- 20000000) Wire, Tie [W/.25" Fir Tree Clip]	1
	20	130773	(10000000- 20000000) Tie, Cable, Nyl, 11.0l, .14w, 3.0 Max. D	2
	21	9014145	(10000000- 20000000) Hose, Afmkt, Pe, .375id .50od, 05ft	1
	22	1212858	(10000000- 20000000) Fitting, Plstc, Tee, Qf08/Qf08/Qf08	1
	23	09746	(10000000- 20000000) Screw, Hex, M10 X 1.50 X 90, Ss	2
	24	01684	(10000000- 20000000) Washer, Flat, 0.27b 0.69d .05, Ss	8
	25	08712	(10000000- 20000000) Nut, Hex, Lock, M6 X 1.00, NI, Ss	8
	26	1014328	(10000000- 20000000) Key, Sq, 05mm X 05mm, 25mml	2
	27	1071637	(10000000- 20000000) Hub, Drive, Brush, Disk, 17mmb	2
	28	1017218	(10000000- 20000000) Washer, Flat, 0.32b 1.00d .12, Ss	2
	29	12273	(10000000- 20000000) Screw, Hex, M8 X 1.25 X 20, NI, Ss	2
	30	1227867	(10000000- 20000000) Inductor, Ferrite [Split Case,407@100hz] (Canada Only)	4
	31	1065665	(10000000- 20000000) Inductor, 32.3mml [Ferrite 10- 250mhz] (Canada Only)	2
	32	1232326	(10000000- 20000000) Bumper, Head, 80cm, Skirt, Im	1

▽ ASSEMBLY

▲ INCLUDED IN ASSEMBLY

SCRUB HEAD GROUP, CYLINDRICAL 700MM / 28IN

355424

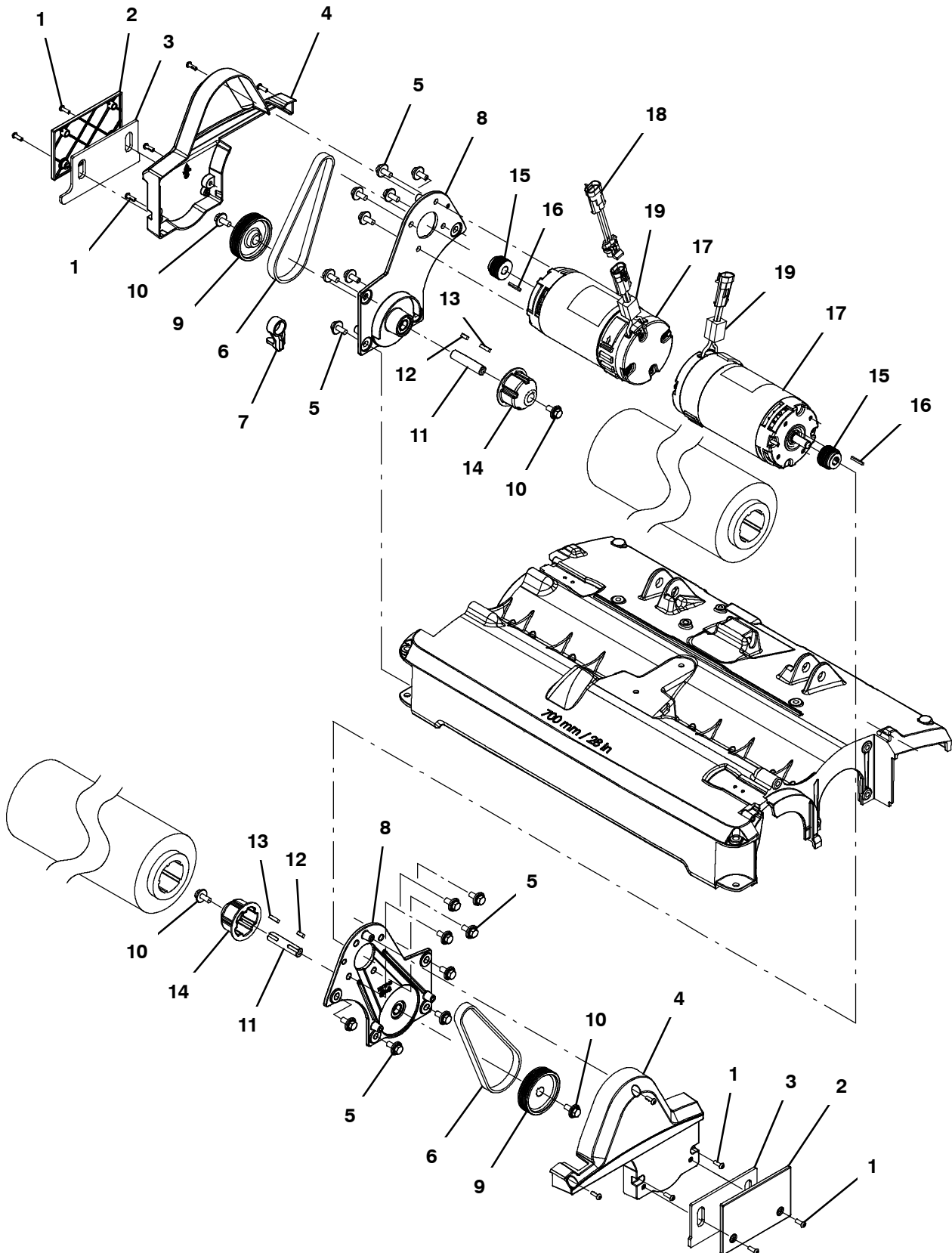


SCRUB HEAD GROUP, CYLINDRICAL 700MM / 28IN

Ref.	Part No.	Serial Number	Description	Qty.
1	1205799	(10000000-20000000)	Screw, Btn, M5 X 0.8 X 16, 8.8, NI, Torx	2
2	1218032	(10000000-20000000)	Cover, Skirt, 2cyl [T500]	2
3	1218573	(10000000-20000000)	Skirt, Side, Scrb, Cyl [T500]	2
4	390996	(10000000-20000000)	Screw, Flt, Soc, M10 X 1.50 X 20, 10.9, NI	2
5	1218692	(10000000-20000000)	Door, Brush, 2cyl [Machined, T500]	1
6	49697	(10000000-20000000)	Screw, Pan, Phl, M4 X 0.70 X 10, Ss	6
7	222184	(10000000-20000000)	Pin, Roll, .094d X 0.25l, .094/.097	2
8	222177	(10000000-20000000)	Shaft, Plug, Idler	2
9	1057629	(10000000-20000000)	Plug, Idler, Brush [Sgl Brg]	2
10	01516	(10000000-20000000)	Ring, Retaining, Ext, 0.59d, Basic	2
11	1216647	(10000000-20000000)	Pin, Cotter, Hair, 0.38d .054 Wir	2
12	49914	(10000000-20000000)	Pin, Clevis, 0.37d X 4.00l	2
13	630477	(10000000-20000000)	Wheel, Pyu, 02.0d 0.38w, Gray	6
14	1207285	(10000000-20000000)	Latch, Draw, Rbr, W/ Keeper, Yellow	2
15	49697	(10000000-20000000)	Screw, Pan, Phl, M4 X 0.70 X 10, Ss	6
16	1221161	(10000000-20000000)	Tie, Cable, Nyl, Push Mount, 76mm Max D	1
17	1210807	(10000000-20000000)	Wire, Tie [W/.25" Fir Tree Clip]	3
18	1218242	(10000000-20000000)	Bracket, Spring, Tray, Debris [T500]	1
19	1217942	(10000000-20000000)	Housing, Cyl, 70cm [Machined]	1
20	1029358	(10000000-20000000)	Deflector, Water, Cyl Head	1
21	1034731	(10000000-20000000)	Screw, Hex, M6 X 1.00 X 16, Sems, Ss	7
22	9014145	(10000000-20000000)	Hose, Afmkt, Pe, .375id .50od, 05ft	1
23	1212987	(10000000-20000000)	Fitting, Plstc, E90, Qf08/Pm06, Swivel	1
24	1046049	(10000000-20000000)	Tube Assy, Bar, Spray, 70cm [T5, 5680]	1
25	1025580	(10000000-20000000)	Fitting, Pipe, Cap, P06, Nyl	2
26	1218153	(10000000-20000000)	Bracket, Tray, Debris [T500]	1
27	1218144	(10000000-20000000)	Tray, Debris, 700mm [lm] [Rhine]	1
28	1218577	(10000000-20000000)	Bracket, Slide, Tray, Debris	1
29	1219969	(10000000-20000000)	Panel Wldt, Wrap, Brush [T500]	1

SCRUB HEAD GROUP, CYLINDRICAL 700MM / 28IN - CONT'D

355430



SCRUB HEAD GROUP, CYLINDRICAL 700MM / 28IN - CONT'D

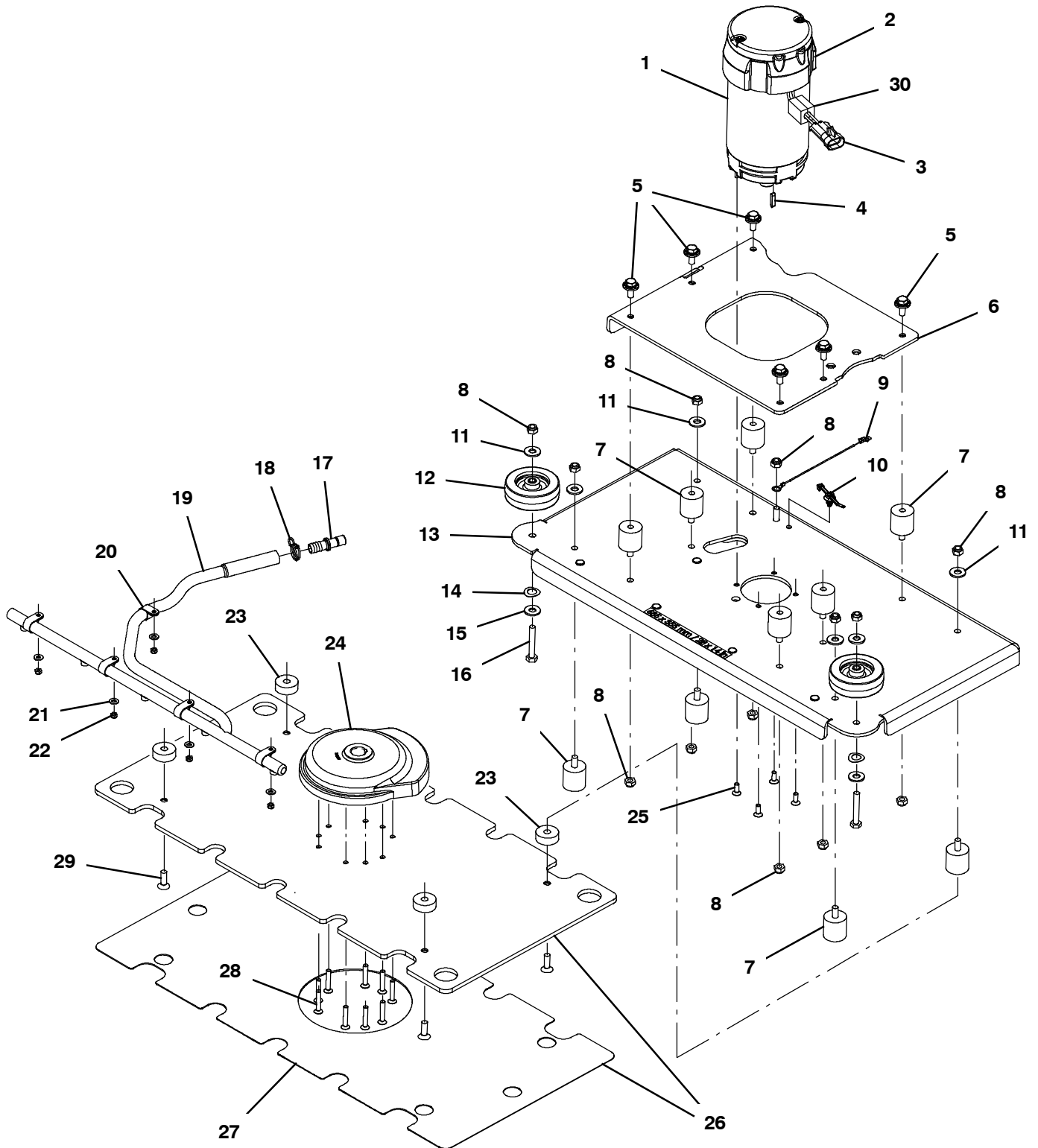
Ref.	Part No.	Serial Number	Description	Qty.	
1	1205799	(10000000- 20000000)	Screw, Btn, M5 X 0.8 X 16, 8.8, NI, Torx	12	
2	1218032	(10000000- 20000000)	Cover, Skirt, 2cyl [T500]	2	
3	1218573	(10000000- 20000000)	Skirt, Side, Scrub, Cyl [T500]	2	
4	1218012	(10000000- 20000000)	Cover, Belt, 2 Cyl [T500]	2	
5	1020341	(10000000- 20000000)	Screw, Hex, M8 X 1.25 X 20, Ss, Sems	16	
▽	6	9015765	(10000000- 20000000)	Belt Replacement Kit (Cylindrical)	1
▲		1035888	(10000000- 20000000)	Belt, Drive, 6grv, 508 L X 14 W, [6pj]	2
▲	7	1203758	(10000000- 20000000)	Tool, Installation, Belt	1
▽	8	9018012	(10000000- 20000000)	Bracket Assy, Motor, Ci (Includes Bearings And Tube - Not Available Separately)	2
▲	9	1035173	(10000000- 20000000)	Sheave, 06grv, 2.96pd 0.59b, Alm [Pj]	1
▲	10	1020341	(10000000- 20000000)	Screw, Hex, M8 X 1.25 X 20, Ss, Sems	2
▲	11	1021050	(10000000- 20000000)	Shaft, Drive, 15.0d X 65.5l [T5, 1610]	1
▲	12	00961	(10000000- 20000000)	Key, Sq, 0.19 X 0.19, 0.50l	1
▲	13	00911	(10000000- 20000000)	Key, Sq, 0.19 X 0.19, 0.75l	1
▲	14	378805	(10000000- 20000000)	Plug, Drive, Brush, Mach	1
	15	1033528	(10000000- 20000000)	Sheave, 06grv, 1.33pd 0.50b, Alm [Pj]	2
	16	00954	(10000000- 20000000)	Key, Sq, 0.12 X 0.12, 1.00l	2
▽	17	1223429	(10000000- 20000000)	Motor, Ele, 24vdc 1500rpm 0.60hp (Canada Also Require Qty 1 Ferrite #1065665)	2
▲		1031775	(10000000- 20000000)	Brush Kit, Carbon, Motor, Replmt [T5]	1
	18	1052895	(10000000- 20000000)	Harness, Adapter, Motor [T7/T5]	1
	19	1065665	(10000000- 20000000)	Inductor, 32.3mml [Ferrite 10- 250mhz] (Canada Only)	2

▽ ASSEMBLY

▲ INCLUDED IN ASSEMBLY

SCRUB HEAD GROUP, ORBITAL 700MM / 28IN

355425



SCRUB HEAD GROUP, ORBITAL 700MM / 28IN

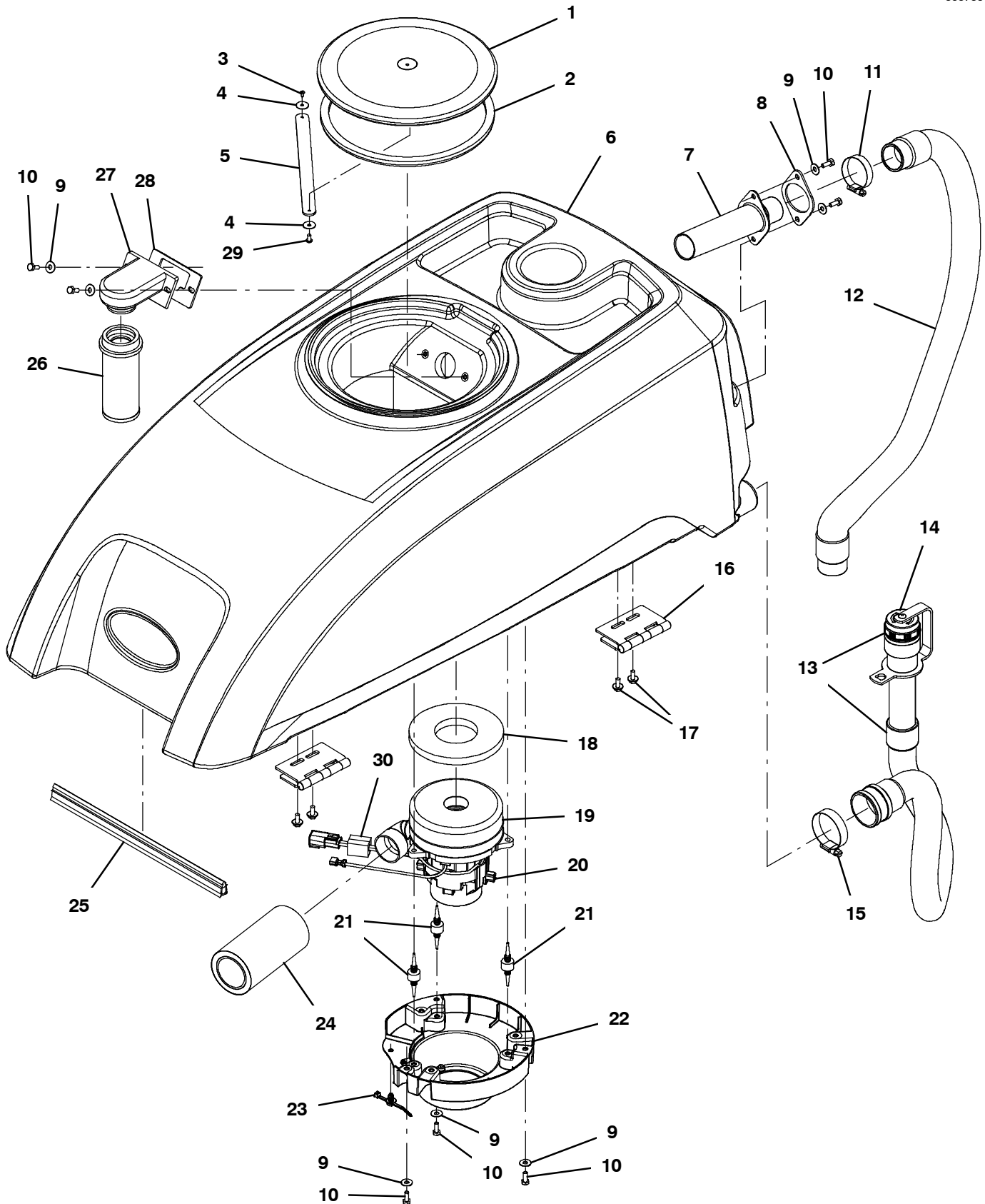
Ref.	Part No.	Serial Number	Description	Qty.
▽	1	1219913	(10000000- 20000000) Motor, Ele, 24vdc, 2200rpm, 0.75hp 28.0a (Canada Also Requires Qty 1 Ferrite #1065665)	1
▲	2	1059370	(10000000- 20000000) Brush, Motor, Replmt [Bag Of 4]	1
▲	3	1031681	(10000000- 20000000) Harness, Connector, Brush- Motor [T5] Us	1
	4	1231238	(10000000- 20000000) Key, Sq, 5mm X 5mm X 22mm	1
	5	1020341	(10000000- 20000000) Screw, Hex, M8 X 1.25 X 20, Ss, Sems	6
	6	1220910	(10000000- 20000000) Bracket Wldt, Mtg, Head	1
	7	1212543	(10000000- 20000000) Isolator, Neoprene, 1.25" X 1.25", M8	13
	8	08713	(10000000- 20000000) Nut, Hex, Lock, M8 X 1.25, NI, Ss	1
	9	1074344	(10000000- 20000000) Harness, Ele [Ring With .250m Tail]	1
	10	1210807	(10000000- 20000000) Wire, Tie [W/.25" Fir Tree Clip]	1
	11	01685	(10000000- 20000000) Washer, Flat, 0.38b 0.88d .08, Ss	6
	12	1014918	(10000000- 20000000) Wheel, 03.0d 0.88w 0.31b, W/ Bshg, Rbr	2
	13	1221766	(10000000- 20000000) Housing Wldt, Brush	1
	14	1210221	(10000000- 20000000) Washer, Wave, .515b, .875d, .013, Ss	2
	15	01685	(10000000- 20000000) Washer, Flat, 0.38b 0.88d .08, Ss	2
	16	49694	(10000000- 20000000) Screw, Hex, M8 X 1.25 X 50, Ss	2
	17	1212807	(10000000- 20000000) Fitting, Plstc, Str, Qm08/Bm08	1
	18	607776	(10000000- 20000000) Clamp, Hose, Wir, .73 - .77, Silver	1
	19	1234853	(10000000- 20000000) Manifold, Bar, Spray [28in]	1
	20	140916	(10000000- 20000000) Clamp, Cable, Nyl, 0.62d, Nat	5
	21	01683	(10000000- 20000000) Washer, Flat, 10, Ss	4
	22	09739	(10000000- 20000000) Nut, Hex, Lock, M5 X 0.80, NI, Ss	4
	23	1221850	(10000000- 20000000) Spacer, Head	4
	24	9015774	(10000000- 20000000) Eccentric Drive Kit, Orbital	1
	25	09163	(10000000- 20000000) Screw, Flt, Soc, M6 X 1.00 X 16, 18- 8,Ss	4
▽	26	9015416	(10000000- 20000000) Driver Kit, Pad, Ci [T500] (Includes Driver Plate, Driver Face, & Red Buffing Pad)	1
▲	27	1220627	(10000000- 20000000) Face, Pad Driver	1
	28	1212710	(10000000- 20000000) Screw, Flt, Soc, M6 X 1.00 X 35, 10.9,NI	6
	29	74077	(10000000- 20000000) Screw, Flt, Soc, M8 X 1.25 X 25, Ss	4
	30	1065665	(10000000- 20000000) Inductor, 32.3mml [Ferrite 10- 250mhz] (Canada Only)	1

▽ ASSEMBLY

▲ INCLUDED IN ASSEMBLY

RECOVERY TANK GROUP, PINCH CUFF SCREW CAP

355733



RECOVERY TANK GROUP, PINCH CUFF SCREW CAP

Ref.	Part No.	Serial Number	Description	Qty.
▽	1	1017958	(10000000- 20000000) Lid Assy, Tank, Recvy	1
▲	2	1017959	(10000000- 20000000) Seal, Bulb, Str, 0.50h .50w 032.0l, Adh	1
	3	3701.6	(10000000- 20000000) Screw, Pan, Phl, 06- 32 X 0.38, Shtmtl,Ss	1
	4	1009168	(10000000- 20000000) Washer, Flat, 0.17b 0.75d .04, Ss	2
	5	1001005	(10000000- 20000000) Strap, Retaining, Cover	1
	6	9015762	(10000000- 20000000) Kit, Tank, Recvy, Ci [Ss500]	1
	7	1021214	(10000000- 20000000) Tube, Hose, Adapter, 1.5d [T5]	1
	8	1024602	(10000000- 20000000) Gasket, Neo, .13, 1.97id, 2/3.2bc, Adh	1
	9	01684	(10000000- 20000000) Washer, Flat, 0.27b 0.69d .05, Ss	7
	10	11329	(10000000- 20000000) Screw, Hex, M6 X 1.00 X 16, NI, Ss	7
	11	11531	(10000000- 20000000) Clamp, Hose, Wormdrive, 1.06- 2.00d, .56w	1
	12	1211220	(10000000- 20000000) Hose Assy,W/2cuff,1.5d 022l 1.5/1.5[Pvc] (Black - Standard)	1
▽	13	1248221	(10972172- 20000000) Hose Assy, Drain, 1.5id X 11.0l [Pvc] (Black - Standard)	1
▲▽	14	1232385	(10972172- 20000000) Cap, Drain Assy [Black, T500e]	1
▲▲		1008637	(10000000- 20000000) Seal, Org, 1.48id 1.76od	1
	15	22297	(10000000- 20000000) Clamp, Hose, Wormdrive, 1.56- 2.50d, .50w	1
	16	1217669	(10000000- 20000000) Hinge Assy, 7.0 Pin, 11 Ga, 100l X 105w	1
	17	1034731	(10000000- 20000000) Screw, Hex, M6 X 1.00 X 16, Sems, Ss	4
	18	100038*	(10000000- 20000000) Gasket, .50, 02.63id 05.75od, Adh [Epdm]	1
▽	19	1219312*	(10000000- 20000000) Fan, Vacuum, 5.7d, 024vdc, 2 Stage (Canada Also Requires Qty 1 Ferrite #1065665)	1
▲	20	372883	(10000000- 20000000) Vr, Brush Kit, Motor, Ele	1
	21	1062016	(10000000- 20000000) Isolator, Vib, .75d	3
	22	1207368	(10000000- 20000000) Mount, Vacfan, 5.7/6.6	1
	23	1210807	(10000000- 20000000) Wire, Tie [W/.25" Fir Tree Clip]	1
	24	1068577	(10000000- 20000000) Muffler, Exhaust, Vacfan, 150mml [T2/T3]	1
	25	1066431	(10000000- 20000000) Seal, Afmkt, Bulb, Dual, 03ft [F/.30gap]	1
	26	630052	(10000000- 20000000) Float, Shut- Off, (2)Ball, 1.75d	1
	27	630053	(10000000- 20000000) Mount, Cage, Float [20.0 Scrubber]	1
	28	630255	(10000000- 20000000) Gasket, Float, Mount	1
	29	606915	(10000000- 20000000) Screw, Pan, Phl, 10- 16 X 0.38, Tcut, Ss	1
	30	1065665	(10000000- 20000000) Inductor, 32.3mml [Ferrite 10- 250mhz] (Canada Only)	1

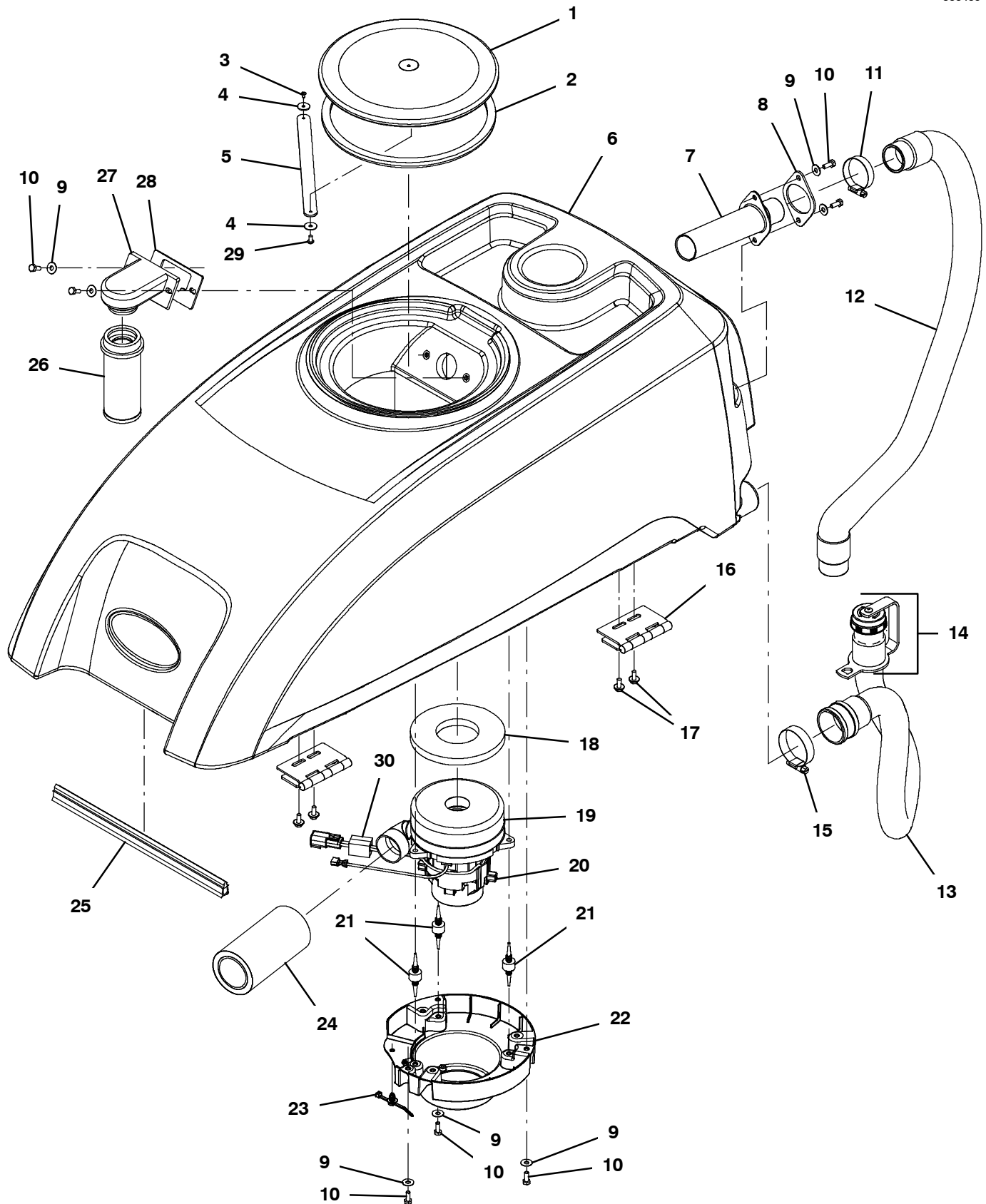
*** For machines serial number range 10835433 - 10842917, vacuum motor replacement requires two gaskets; standard gasket 100038 and extra gasket 223264 (not shown).**

▽ ASSEMBLY

▲ INCLUDED IN ASSEMBLY

RECOVERY TANK GROUP, STANDARD SCREW CAP

355459



RECOVERY TANK GROUP, STANDARD SCREW CAP

Ref.	Part No.	Serial Number	Description	Qty.
▽	1	1017958	(10000000- 20000000) Lid Assy, Tank, Recvy	1
▲	2	1017959	(10000000- 20000000) Seal, Bulb, Str, 0.50h .50w 032.0l, Adh	1
	3	3701.6	(10000000- 20000000) Screw, Pan, Phl, 06- 32 X 0.38, Shtmtl, Ss	1
	4	1009168	(10000000- 20000000) Washer, Flat, 0.17b 0.75d .04, Ss	2
	5	1001005	(10000000- 20000000) Strap, Retaining, Cover	1
	6	9015762	(10000000- 20000000) Kit, Tank, Recvy, Ci [Ss500]	1
	7	1021214	(10000000- 20000000) Tube, Hose, Adapter, 1.5d [T5]	1
	8	1024602	(10000000- 20000000) Gasket, Neo, .13, 1.97id, 2/3.2bc, Adh	1
	9	01684	(10000000- 20000000) Washer, Flat, 0.27b 0.69d .05, Ss	7
	10	11329	(10000000- 20000000) Screw, Hex, M6 X 1.00 X 16, NI, Ss	7
	11	11531	(10000000- 20000000) Clamp, Hose, Wormdrive, 1.06- 2.00d, .56w	1
	12	1211220	(10000000- 20000000) Hose Assy, W/2cuff, 1.5d 022l 1.5/1.5[Pvc] (Black - Standard)	1
	12	1224414	(10000000- 10972171) Hose Assy, W/2cuff, 1.5d 033l 1.5/1.5[Pu] (Gray - Option) (No Longer Available - Replaced by 1211220 - Black PVC)	1
▽	13	1228252	(10000000- 10972171) Hose Assy, Drain, 1.5d 014l 2/1.5cap Pvc (Black - Standard) (Replaced by 1248221 - Pinch Cuff Screw Cap Style)	1
▲▽	14	1218955	(10000000- 10972171) Cap, Drain Assy [Black]	1
▲▲		1008637	(10000000- 20000000) Seal, Org, 1.48id 1.76od	1
	15	22297	(10000000- 20000000) Clamp, Hose, Wormdrive, 1.56- 2.50d, .50w	1
	16	1217669	(10000000- 20000000) Hinge Assy, 7.0 Pin, 11 Ga, 100l X 105w	1
	17	1034731	(10000000- 20000000) Screw, Hex, M6 X 1.00 X 16, Sems, Ss	4
	18	100038*	(10000000- 20000000) Gasket, .50, 02.63id 05.75od, Adh [Epdm]	1
▽	19	1219312*	(10000000- 20000000) Fan, Vacuum, 5.7d, 024vdc, 2 Stage (Canada Also Requires Qty 1 Ferrite #1065665)	1
▲	20	372883	(10000000- 20000000) Vr, Brush Kit, Motor, Ele	1
	21	1062016	(10000000- 20000000) Isolator, Vib, .75d	3
	22	1207368	(10000000- 20000000) Mount, Vacfan, 5.7/6.6	1
	23	1210807	(10000000- 20000000) Wire, Tie [W/.25" Fir Tree Clip]	1
	24	1068577	(10000000- 20000000) Muffler, Exhaust, Vacfan, 150mml [T2/T3]	1
	25	1066431	(10000000- 20000000) Seal, Afmkt, Bulb, Dual, 03ft [F/.30gap]	1
	26	630052	(10000000- 20000000) Float, Shut- Off, (2)Ball, 1.75d	1
	27	630053	(10000000- 20000000) Mount, Cage, Float [20.0 Scrubber]	1
	28	630255	(10000000- 20000000) Gasket, Float, Mount	1
	29	606915	(10000000- 20000000) Screw, Pan, Phl, 10- 16 X 0.38, Tcut, Ss	1
	30	1065665	(10000000- 20000000) Inductor, 32.3mml [Ferrite 10- 250mhz] (Canada Only)	1

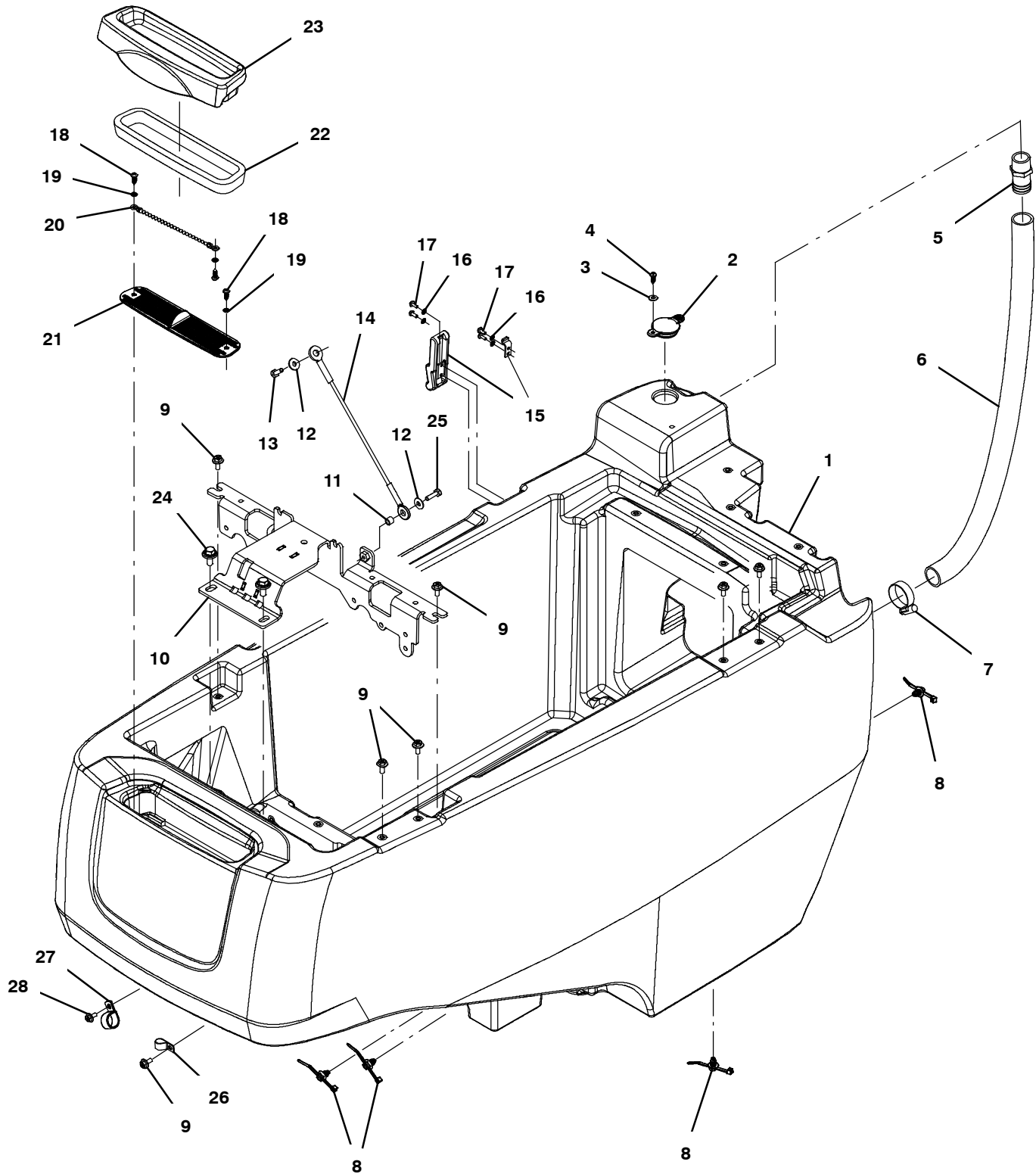
* For machines serial number range 10835433 - 10842917, vacuum motor replacement requires two gaskets; standard gasket 100038 and extra gasket 223264 (not shown).

▽ ASSEMBLY

▲ INCLUDED IN ASSEMBLY

SOLUTION TANK GROUP

355458

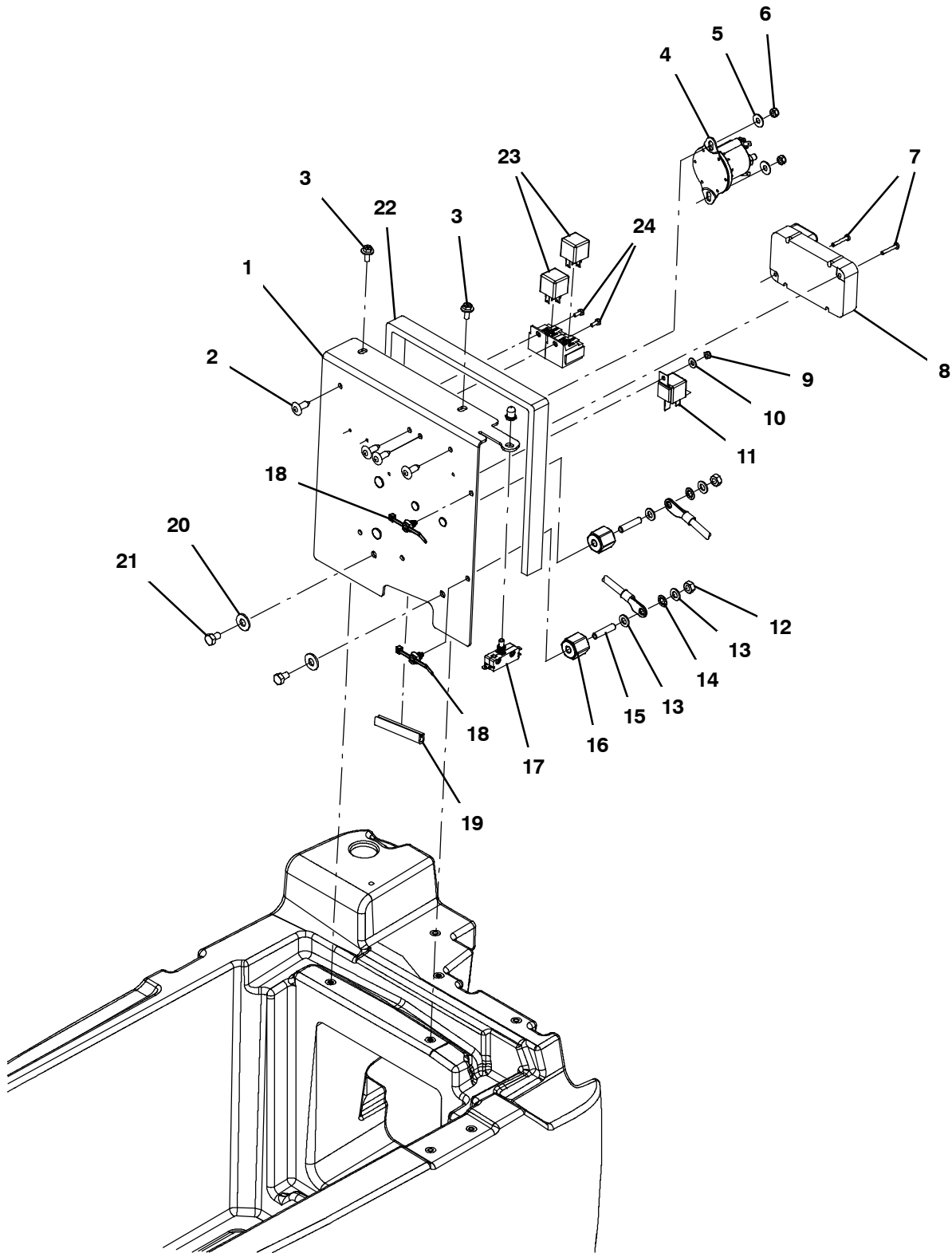


SOLUTION TANK GROUP

Ref.	Part No.	Serial Number	Description	Qty.
1	9018025	(10000000- 20000000)	Tank Kit, Soltn, Ci [Ss500,A500]	1
2	1012965	(10000000- 20000000)	Cap, Port, Soltn Fill	1
3	01683	(10000000- 20000000)	Washer, Flat, 10, Ss	1
4	1018155	(10000000- 20000000)	Screw, Pan, Phl, M5 X 0.80 X 16, Tcut,Ss	1
5	1041082	(10000000- 20000000)	Fitting, Plstc, Str, Bm16/Pm12	1
6	9015728	(10000000- 20000000)	Hose Kit, Drain, Soln, Ci [T500/T500e]	1
7	11399	(10000000- 20000000)	Clamp, Hose, Wormdrive, 0.81- 1.50d, .50w	1
8	1210807	(10000000- 20000000)	Wire, Tie [W/.25" Fir Tree Clip]	4
9	1034731	(10000000- 20000000)	Screw, Hex, M6 X 1.00 X 16, Sems, Ss	7
10	1221012	(10000000- 20000000)	Bracket Wldt, Actuator	1
11	140154	(10000000- 20000000)	Sleeve, P/M, 0.25b 0.38d 0.3l, PI	1
12	01684	(10000000- 20000000)	Washer, Flat, 0.27b 0.69d .05, Ss	2
13	11329	(10000000- 20000000)	Screw, Hex, M6 X 1.00 X 16, NI, Ss	1
14	1221803	(10000000- 20000000)	Cable, Glv .13d 10.5l .38eye /.38eye	1
15	1207285	(10000000- 20000000)	Latch, Draw, Rbr, W/ Keeper, Yellow	1
16	02938	(10000000- 20000000)	Washer, Lock, Int, 08, Ss	4
17	49697	(10000000- 20000000)	Screw, Pan, Phl, M4 X 0.70 X 10, Ss	4
18	1018155	(10000000- 20000000)	Screw, Pan, Phl, M5 X 0.80 X 16, Tcut,Ss	3
19	07514	(10000000- 20000000)	Washer, Lock, Int, 10, Ss	3
20	621443	(10000000- 20000000)	Chain, Ball, 10, 0157mml, Ss	1
21	1219917	(10000000- 20000000)	Screen, Fltr, 2.0 X 8.7	1
22	9015758	(10000000- 20000000)	Seal, Tank, Soltn, Ci [T500/T500e]	1
23	1218043	(10000000- 20000000)	Cover, Fill, Front [T500]	1
23	9015759	(10000000- 20000000)	Kit, Cover, Fill [T500/T500e] (ec- H2O Models)	1
24	1020341	(10000000- 20000000)	Screw, Hex, M8 X 1.25 X 20, Ss, Sems	2
25	12277	(10000000- 20000000)	Screw, Hex, M6 X 1.00 X 20, NI, Ss	1
26	140300	(10000000- 20000000)	Clamp, Cable, Stl, 0.50d [Insulated]	1
27	40678- 1	(10000000- 20000000)	Clamp, Cable, Stl, 0.88d X 0.62w, 1hole (Models w/out ABW Option)	1
28	1034731	(10000000- 20000000)	Screw, Hex, M6 X 1.00 X 16, Sems, Ss (Models w/out ABW Option)	1

STANDARD ELECTRICAL GROUP

355465



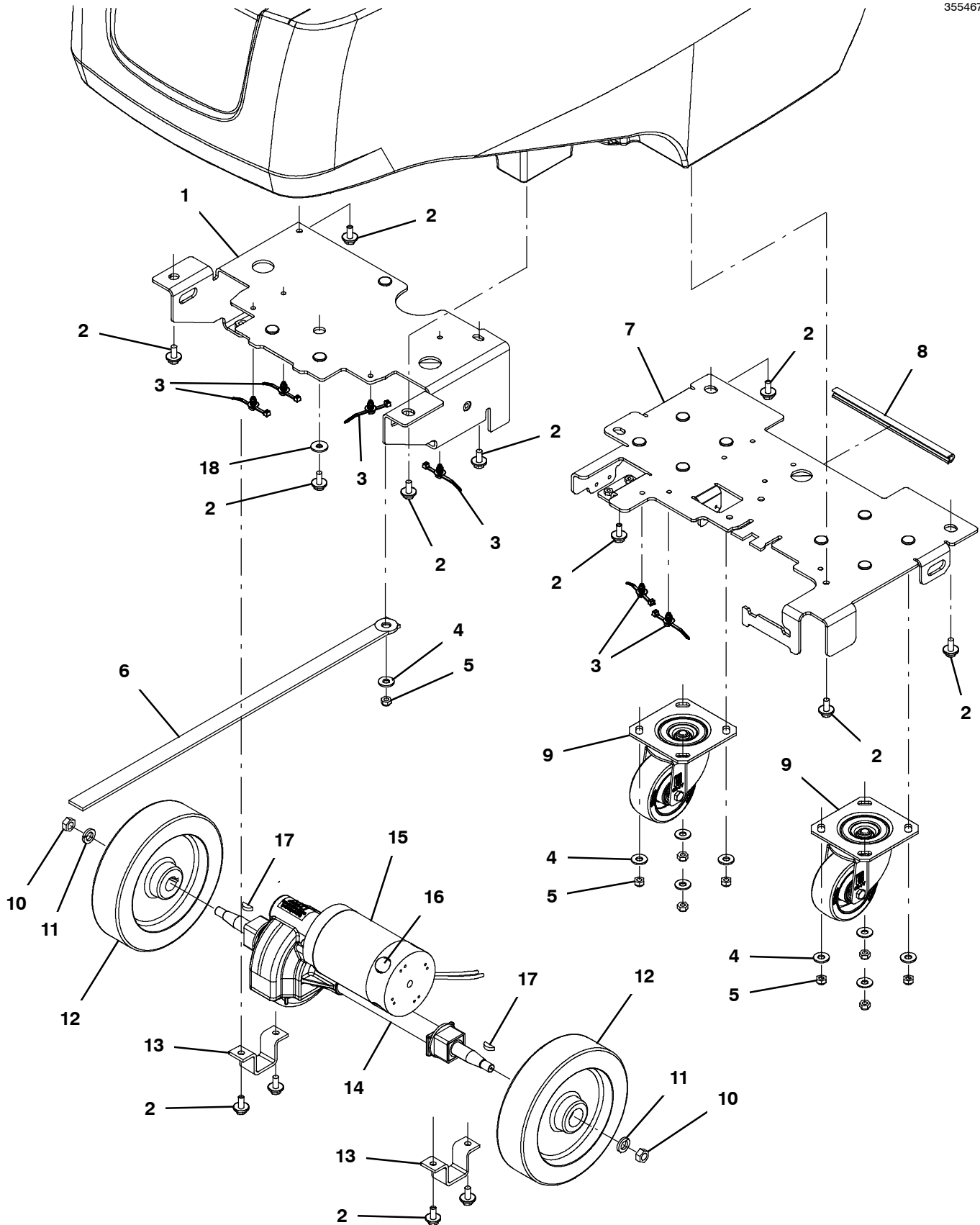
STANDARD ELECTRICAL GROUP

Ref.	Part No.	Serial Number	Description	Qty.
1	1224001	(10000000- 20000000)	Bracket Wldt, Mtg, Ele [T500e]	1
2	140262	(10000000- 20000000)	Clip, Snap- In	4
3	1034731	(10000000- 20000000)	Screw, Hex, M6 X 1.00 X 16, Sems, Ss	2
4	1066409	(10000000- 20000000)	Relay, 24vdc, 150a, No [Trombetta]	1
5	01684	(10000000- 20000000)	Washer, Flat, 0.27b 0.69d .05, Ss	2
6	08712	(10000000- 20000000)	Nut, Hex, Lock, M6 X 1.00, NI, Ss	2
7	1073600	(10000000- 20000000)	Screw, Pan, M4 X 0.7 X 25, Fmg	2
8	9015776*	(10000000- 20000000)	Drive Module Kit, Ci	1
9	09739	(10000000- 20000000)	Nut, Hex, Lock, M5 X 0.80, NI, Ss	1
10	01683	(10000000- 20000000)	Washer, Flat, 10, Ss	1
11	1228510	(10000000- 20000000)	Relay, 24vdc, 80a, Spst No, Plug- In	1
12	41361	(10000000- 20000000)	Nut, Hex, Std, M8 X 1.25, Brs	1
13	1209373	(10000000- 20000000)	Washer, Flat, M8.4b X 16d X 1.6, Brs	2
14	43952	(10000000- 20000000)	Washer, Lock, Int, 0.31, Ss	4
15	607461	(10000000- 20000000)	Screw, Set, M8 X 1.25 X 35, NI	2
16	1205345	(10000000- 20000000)	Stand- Off, Wir, M8, Insulator, Panel	2
17	1071996	(10000000- 20000000)	Switch, Push, Snap Action, 25a	1
18	1210807	(10000000- 20000000)	Wire, Tie [W/.25" Fir Tree Clip]	2
19	1020174	(10000000- 20000000)	Molding, Afmkt, Trim, Pvc, .08 .11, 03ft	1
20	01685	(10000000- 20000000)	Washer, Flat, 0.38b 0.88d .08, Ss	2
21	386868	(10000000- 20000000)	Screw, Hex, M8 X 1.25 X 12, Ss	2
22	1219045	(10000000- 20000000)	Gasket, Cover, Circuitboard	1
23	49309	(10000000- 20000000)	Relay, 24vdc, 015a, Spdt No	2
24	16944	(10000000- 20000000)	Screw, Hex, M4 X 0.70 X 10, Fmg	2

* Requires Tennant *True* service or an authorized Tennant service provider.

FRAME AND DRIVE GROUP

355467



FRAME AND DRIVE GROUP

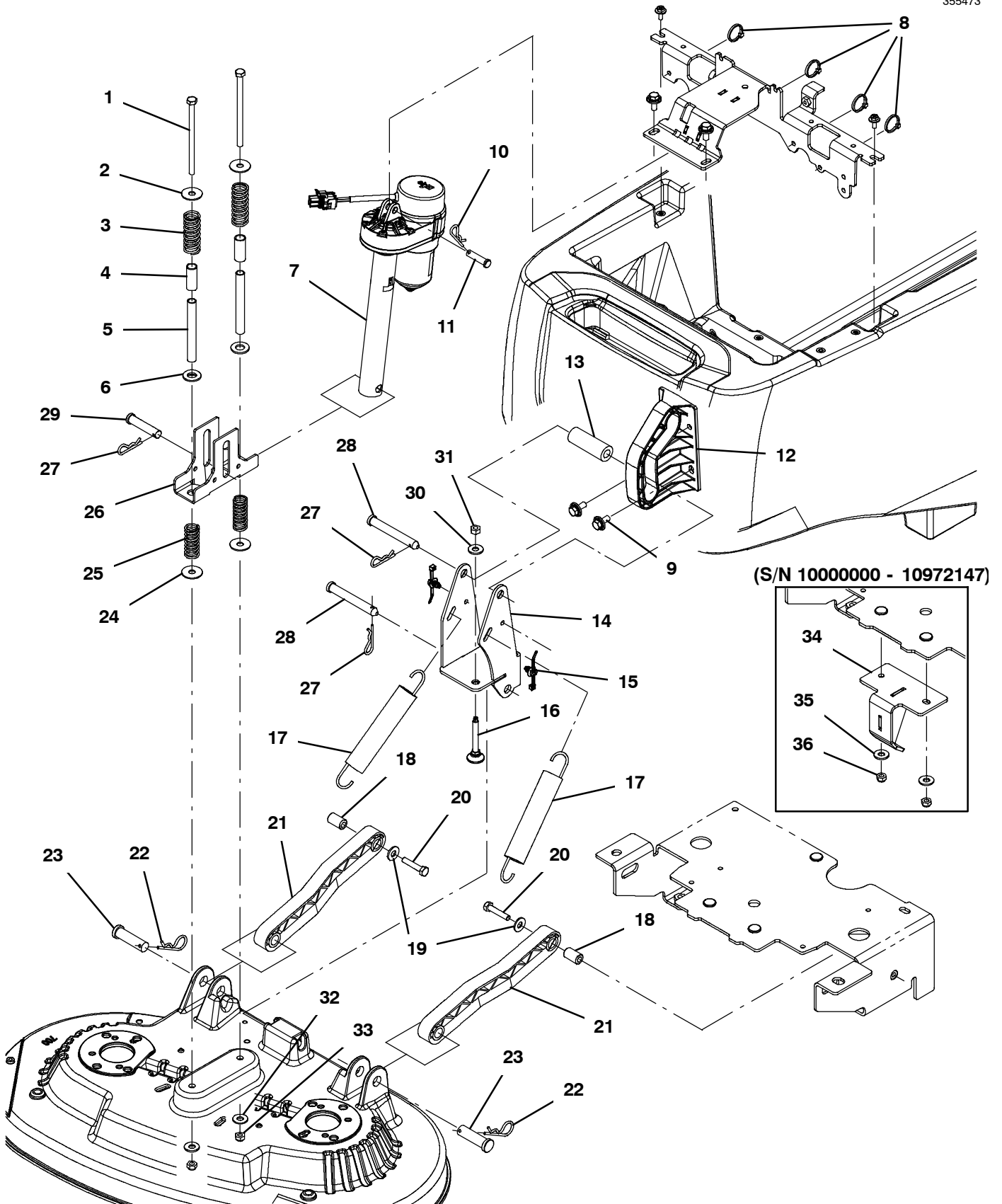
Ref.	Part No.	Serial Number	Description	Qty.
1	1219118	(10000000- 20000000)	Frame Wldt, Front [T500]	1
2	1020341	(10000000- 20000000)	Screw, Hex, M8 X 1.25 X 20, Ss, Sems	13
3	1210807	(10000000- 20000000)	Wire, Tie [W/.25" Fir Tree Clip]	6
4	01685	(10000000- 20000000)	Washer, Flat, 0.38b 0.88d .08, Ss	9
5	08713	(10000000- 20000000)	Nut, Hex, Lock, M8 X 1.25, NI, Ss	9
6	71579	(10000000- 20000000)	Strap, Static, W/Grommet, .19 1.1w 25.0l	1
7	1219137	(10000000- 20000000)	Frame Wldt, Rear [T500]	1
8	1020168	(10000000- 20000000)	Molding, Afmkt, Trim, Pvc, .08 .11, 01ft	1
9	1212422	(10000000- 20000000)	Caster, Swivel [Wicke 224051]	2
10	09741	(10000000- 20000000)	Nut, Hex, Lock, M12 X 1.75, NI, Ss	2
11	140058	(10000000- 20000000)	Washer, Flat, 0.54b 0.88d .06, Ss [Wand]	2
▽	9004909	(10000000- 20000000)	Wheel Kit, Solid, Ci [T5 T5e Ss5]	1
▲	12 1223583	(10000000- 20000000)	Wheel, Scrbr, 213mm, W/ Taper	2
	13 606001	(10000000- 20000000)	Bracket, Mtg, Transaxle, PI [1510, T5]	2
▽	14 1220970	(10000000- 20000000)	Transaxle, Ele, 24vdc, 107rpm [Asi, 4]	1
▲	612874	(10000000- 20000000)	Coupling, Transaxle, Replmt	1
▲	612880	(10000000- 20000000)	Joint, Transaxle, Replmt	1
▲▽	15 1031723	(10000000- 20000000)	Motor, Transaxle, 24vdc, Afmkt [T5]	1
▲▲	16 614166	(10000000- 20000000)	Brush Kit, Carbon, Transaxle, Replmt [4]	1
▲	17 1021167	(10000000- 20000000)	Key, Woodruff, 5mm	2
	18 39890	(10000000- 20000000)	Washer, Flat, M8, Fendr	1

▽ ASSEMBLY

▲ INCLUDED IN ASSEMBLY

HEAD LIFT GROUP, DISK

355473

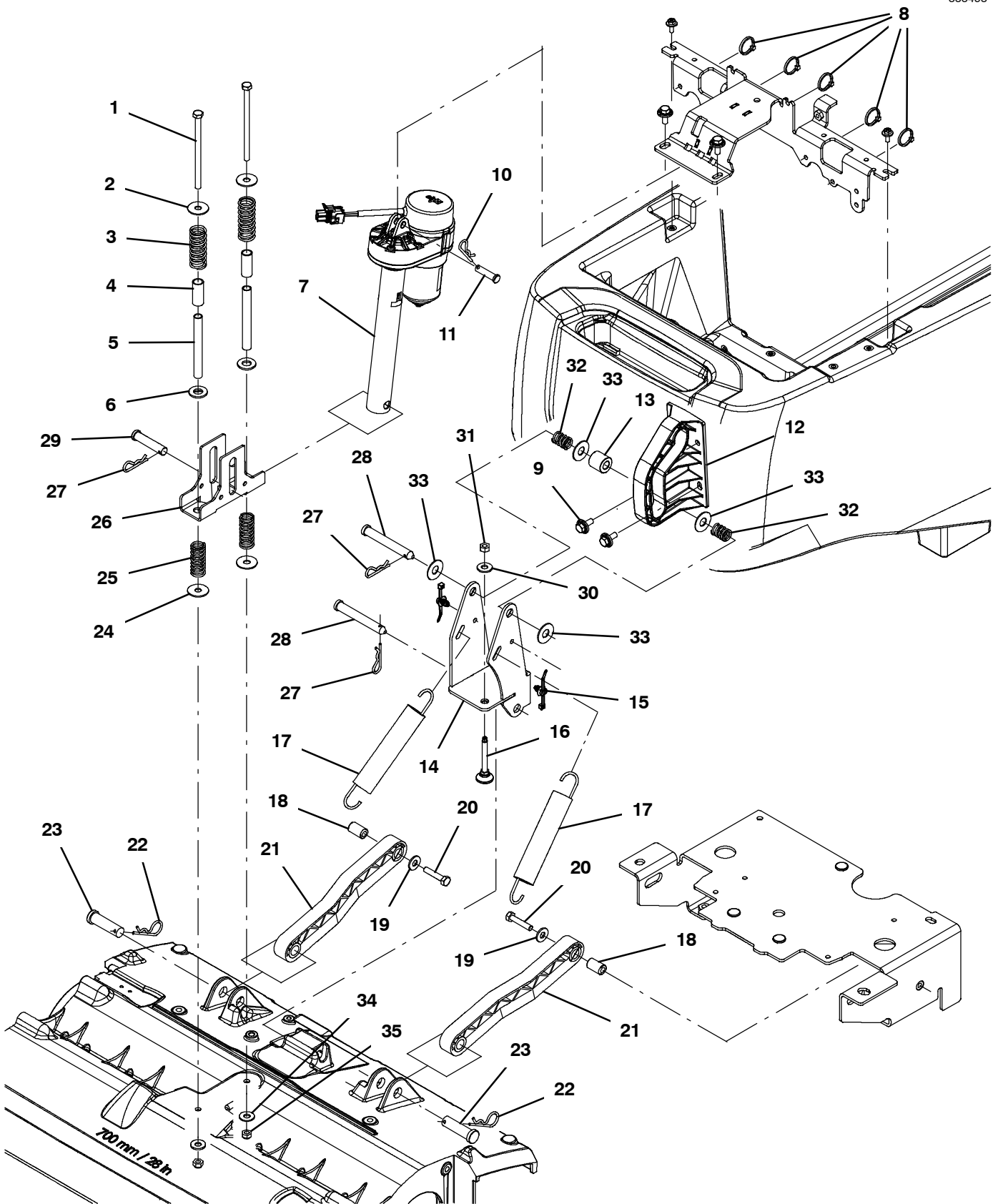


HEAD LIFT GROUP, DISK

Ref.	Part No.	Serial Number	Description	Qty.
1	387431	(10000000- 20000000)	Screw, Hex, M8 X 1.25 X 130, Ss	2
2	32662	(10000000- 20000000)	Washer, Flat, 0.38b 1.22d .06, Ss	2
3	45261	(10000000- 20000000)	Spring, Cmpr, 0.97od .11wir 02.5l	2
4	1224334	(10000000- 20000000)	Sleeve, P/M, 0.51b 0.63d 1.5l, PI	2
5	1219491	(10000000- 20000000)	Sleeve, 0.40id .50d 4.25l, Ss	2
6	32486	(10000000- 20000000)	Washer, Flat, 0.53b 1.06d .10, Stl, PI	2
7	1225246	(10000000- 20000000)	Actuator, 24vdc, 05.5strk, 0600lb[Base]	1
8	49263	(10000000- 20000000)	Tie, Cable, Nyl, 11.4l .19w 3.0 Max D	5
9	1020341	(10000000- 20000000)	Screw, Hex, M8 X 1.25 X 20, Ss, Sems	4
10	140626	(10000000- 20000000)	Pin, Cotter, Hair, 0.25d .125 Wir	1
11	29558	(10000000- 20000000)	Pin, Clevis, 0.37d X 1.50l	1
12	1219912	(10000000- 20000000)	Bracket, Guide, Head[T500]	1
13	1220305	(10000000- 20000000)	Tube, Plstc, 0.51id 0.98od 02.8l	1
14	1221507	(10000000- 20000000)	Pivot Wldt, Head, Scrub [T500]	1
15	1210807	(10000000- 20000000)	Wire, Tie [W/.25" Fir Tree Clip]	2
16	1227530	(10000000- 20000000)	Screw, Leveler, M8x75	1
17	222363	(10000000- 20000000)	Spring, Extn, 1.23od 0.15wir 06.5l	2
18	606056	(10000000- 20000000)	Tube, 0.32id 0.62od 01.0l, Stl, PI	2
19	01685	(10000000- 20000000)	Washer, Flat, 0.38b 0.88d .08, Ss	2
20	74440	(10000000- 20000000)	Screw, Hex, M8 X 1.25 X 40, NI, Ss	2
21	222027	(10000000- 20000000)	Arm, Lift, Head	2
22	02942	(10000000- 20000000)	Pin, Hair, Cotter, 0.62d .120 Wir	2
23	222210	(10000000- 20000000)	Pin, Clevis, 0.62d X 2.12l	2
24	32662	(10000000- 20000000)	Washer, Flat, 0.38b 1.22d .06, Ss	2
25	63185	(10000000- 20000000)	Spring, Cmpr, 0.85od .09wir 02.0l	2
26	1224191	(10000000- 20000000)	Bracket, Spring, Suspension, Head	1
27	140626	(10000000- 20000000)	Pin, Cotter, Hair, 0.25d .125 Wir	3
28	374225	(10000000- 20000000)	Pin, Clevis, 0.50d X 3.75l	2
29	11211	(10000000- 20000000)	Pin, Clevis, 0.50d X 2.25l	1
30	01685	(10000000- 20000000)	Washer, Flat, 0.38b 0.88d .08, Ss	1
31	07786	(10000000- 20000000)	Nut, Hex, Std, M8 X 1.25, Ss	1
32	01685	(10000000- 20000000)	Washer, Flat, 0.38b 0.88d .08, Ss	2
33	08713	(10000000- 20000000)	Nut, Hex, Lock, M8 X 1.25, NI, Ss	2
34	1222374	(10000000- 10972147)	Frame Wldt, Hardstop [T500] (No Longer Available)	1
35	01685	(10000000- 10972147)	Washer, Flat, 0.38b 0.88d .08, Ss	2
36	08713	(10000000- 10972147)	Nut, Hex, Lock, M8 X 1.25, NI, Ss	2

HEAD LIFT GROUP, CYLINDRICAL

355493

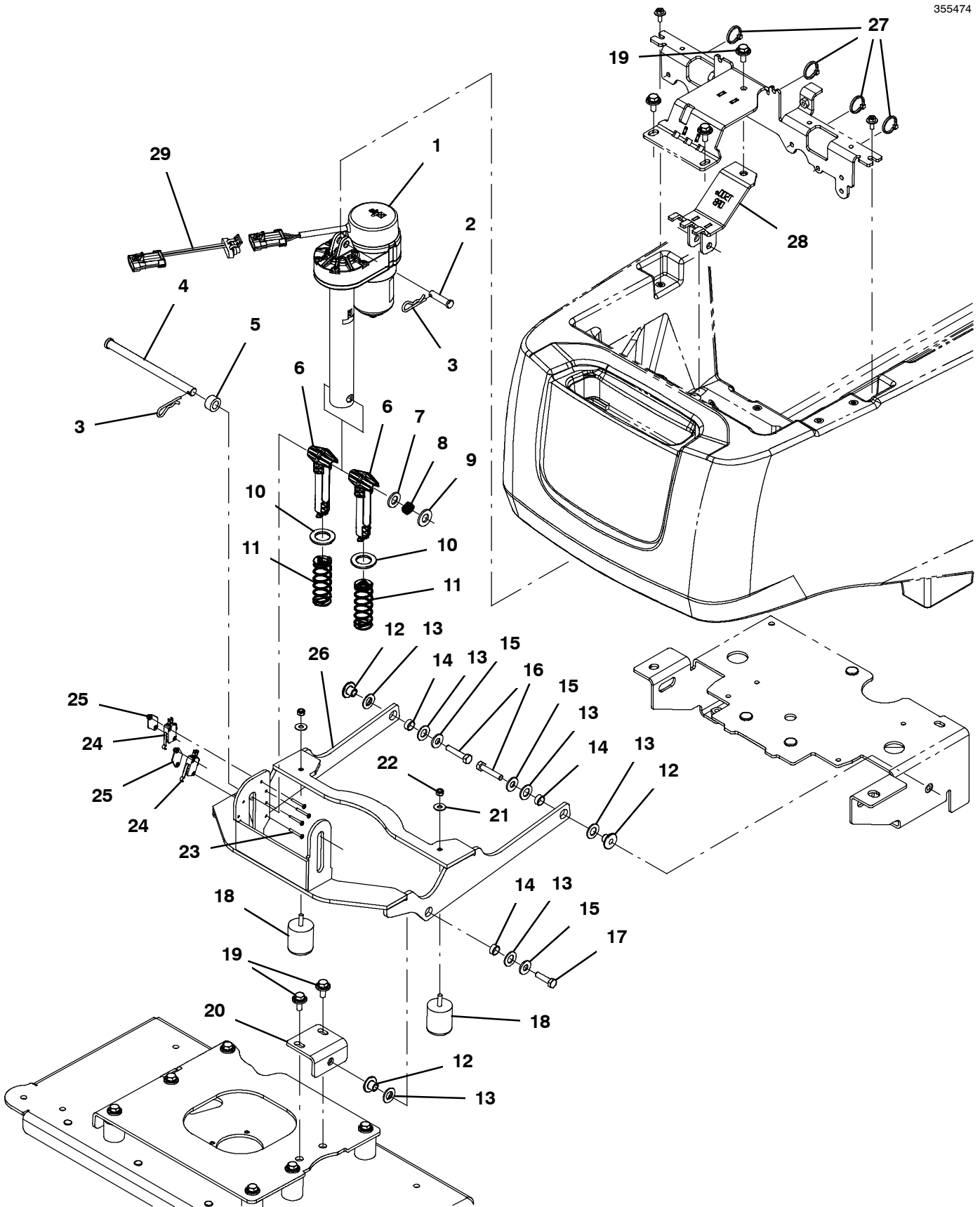


HEAD LIFT GROUP, CYLINDRICAL

Ref.	Part No.	Serial Number	Description	Qty.
1	387431	(10000000-20000000)	Screw, Hex, M8 X 1.25 X 130, Ss	2
2	32662	(10000000-20000000)	Washer, Flat, 0.38b 1.22d .06, Ss	2
3	45261	(10000000-20000000)	Spring, Cmpr, 0.97od .11wir 02.5l	2
4	1224334	(10000000-20000000)	Sleeve, P/M, 0.51b 0.63d 1.5l, PI	2
5	1219491	(10000000-20000000)	Sleeve, 0.40id .50d 4.25l, Ss	2
6	32486	(10000000-20000000)	Washer, Flat, 0.53b 1.06d .10, Stl, PI	2
7	1225246	(10000000-20000000)	Actuator, 24vdc, 05.5strk, 0600lb[Base]	1
8	49263	(10000000-20000000)	Tie, Cable, Nyl, 11.4l .19w 3.0 Max D	5
9	1020341	(10000000-20000000)	Screw, Hex, M8 X 1.25 X 20, Ss, Sems	4
10	140626	(10000000-20000000)	Pin, Cotter, Hair, 0.25d .125 Wir	1
11	29558	(10000000-20000000)	Pin, Clevis, 0.37d X 1.50l	1
12	1219912	(10000000-20000000)	Bracket, Guide, Head[T500]	1
13	1014020	(10000000-20000000)	Roller, 0.99d 0.50b 0.95l, Acetal	1
14	1221507	(10000000-20000000)	Pivot Wldt, Head, Scrub [T500]	1
15	1210807	(10000000-20000000)	Wire, Tie [W/.25" Fir Tree Clip]	2
16	1227530	(10000000-20000000)	Screw, Leveler, M8x75	1
17	222363	(10000000-20000000)	Spring, Extn, 1.23od 0.15wir 06.5l	2
18	606056	(10000000-20000000)	Tube, 0.32id 0.62od 01.0l, Stl, PI	2
19	01685	(10000000-20000000)	Washer, Flat, 0.38b 0.88d .08, Ss	2
20	74440	(10000000-20000000)	Screw, Hex, M8 X 1.25 X 40, NI, Ss	2
21	222027	(10000000-20000000)	Arm, Lift, Head	2
22	02942	(10000000-20000000)	Pin, Hair, Cotter, 0.62d .120 Wir	2
23	222210	(10000000-20000000)	Pin, Clevis, 0.62d X 2.12l	2
24	32662	(10000000-20000000)	Washer, Flat, 0.38b 1.22d .06, Ss	2
25	63185	(10000000-20000000)	Spring, Cmpr, 0.85od .09wir 02.0l	2
26	1224191	(10000000-20000000)	Bracket, Spring, Suspension, Head	1
27	140626	(10000000-20000000)	Pin, Cotter, Hair, 0.25d .125 Wir	3
28	374225	(10000000-20000000)	Pin, Clevis, 0.50d X 3.75l	2
29	11211	(10000000-20000000)	Pin, Clevis, 0.50d X 2.25l	1
30	01685	(10000000-20000000)	Washer, Flat, 0.38b 0.88d .08, Ss	1
31	07786	(10000000-20000000)	Nut, Hex, Std, M8 X 1.25, Ss	1
32	607920	(10000000-20000000)	Spring, Cmpr, 0.70od .10wir 01.0l, Mw	2
33	140045	(10000000-20000000)	Washer, Flat, 0.51b 1.25d .06, Ss	4
34	01685	(10000000-20000000)	Washer, Flat, 0.38b 0.88d .08, Ss	2
35	08713	(10000000-20000000)	Nut, Hex, Lock, M8 X 1.25, NI, Ss	2

HEAD LIFT GROUP, ORBITAL

355474

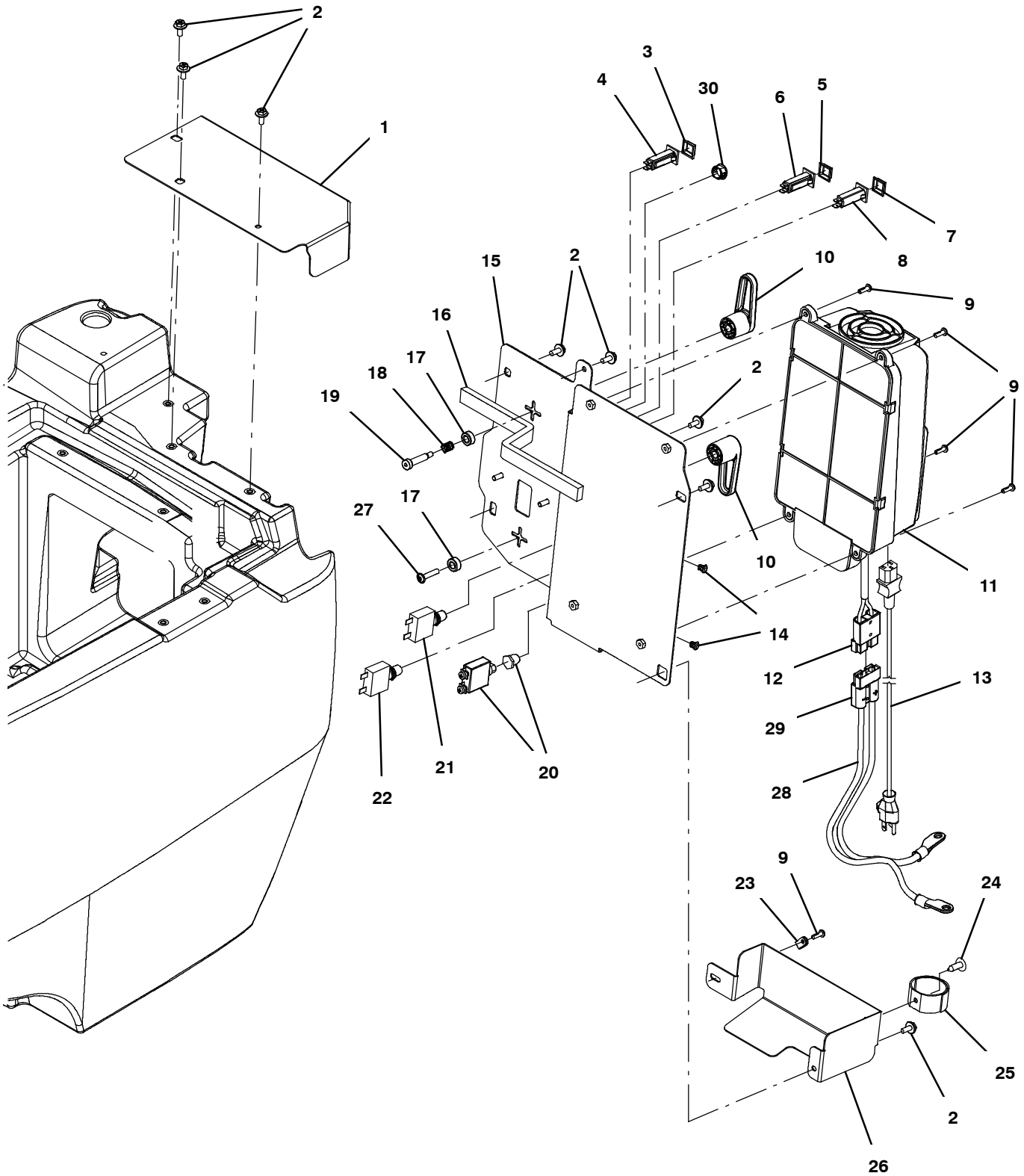


HEAD LIFT GROUP, ORBITAL

Ref.	Part No.	Serial Number	Description	Qty.
1	1225246	(10000000- 20000000)	Actuator, 24vdc, 05.5strk, 0600lb[Base]	1
2	29558	(10000000- 20000000)	Pin, Clevis, 0.37d X 1.50l	1
3	140626	(10000000- 20000000)	Pin, Cotter, Hair, 0.25d .125 Wir	1
4	1226754	(10000000- 20000000)	Pin, Clevis, .50d X 7.00l	1
5	1226759	(10000000- 20000000)	Spacer, .500 ld X .875 Od	1
6	1224233	(10000000- 20000000)	Pin, Guide, Spring, Head	2
7	1013936	(10000000- 20000000)	Washer, Flat, 0.51b 0.94d .10, Nyl	1
8	1226640	(10000000- 20000000)	Spring, Wave, .512 ld X .709 Od X .375	1
9	32486	(10000000- 20000000)	Washer, Flat, 0.53b 1.06d .10, Stl, PI	1
10	1225960	(10000000- 20000000)	Washer, Thrust, 0.89b 1.50d 0.13w, Bnz	2
11	1227036	(10000000- 20000000)	Spring, Cmpr, 1.10od .085wir 03.0l	2
12	1059990	(10000000- 20000000)	Sleeve, Flng, 0.32b 1.00/0.50d 0.6l, Ss	3
13	608562	(10000000- 20000000)	Washer, Flat, 0.51b 0.94d .06, Nyl	6
14	630188	(10000000- 20000000)	Bearing, Journal, .50id X .25l	3
15	01685	(10000000- 20000000)	Washer, Flat, 0.38b 0.88d .08, Ss	3
16	74440	(10000000- 20000000)	Screw, Hex, M8 X 1.25 X 40, NI, Ss	2
17	1016399	(10000000- 20000000)	Screw, Hex, M8 X 1.25 X 30, NI, Ss	1
18	1212543	(10000000- 20000000)	Isolator, Neoprene, 1.25" X 1.25", M8	2
19	1020341	(10000000- 20000000)	Screw, Hex, M8 X 1.25 X 20, Ss, Sems	3
20	1224295	(10000000- 20000000)	Brkt Wldt, Lift	1
21	01685	(10000000- 20000000)	Washer, Flat, 0.38b 0.88d .08, Ss	2
22	08713	(10000000- 20000000)	Nut, Hex, Lock, M8 X 1.25, NI, Ss	2
23	33933	(10000000- 20000000)	Screw, Pan, Phl, M3 X 0.50 X 25, Ss	6
24	1215716	(10000000- 20000000)	Switch, 0.1a, Spdt[Micro, Gold Contacts]	2
25	1013705	(10000000- 20000000)	Plate, Thread, Switch, M3 Nut, 96hr PI	2
26	1221043	(10000000- 20000000)	Arm Wldt, Lift	1
27	49263	(10000000- 20000000)	Tie, Cable, Nyl, 11.4l .19w 3.0 Max D	5
28	1225990	(10000000- 20000000)	Bracket Wldt, Mount, Actuator[T500e]	1
29	1076557	(10959723- 20000000)	Harness, Ele [Adaptor, Delphi, 4pos.]	1

LOWER CONSOLE GROUP, ON-BOARD CHARGER

355462



LOWER CONSOLE GROUP, ON-BOARD CHARGER

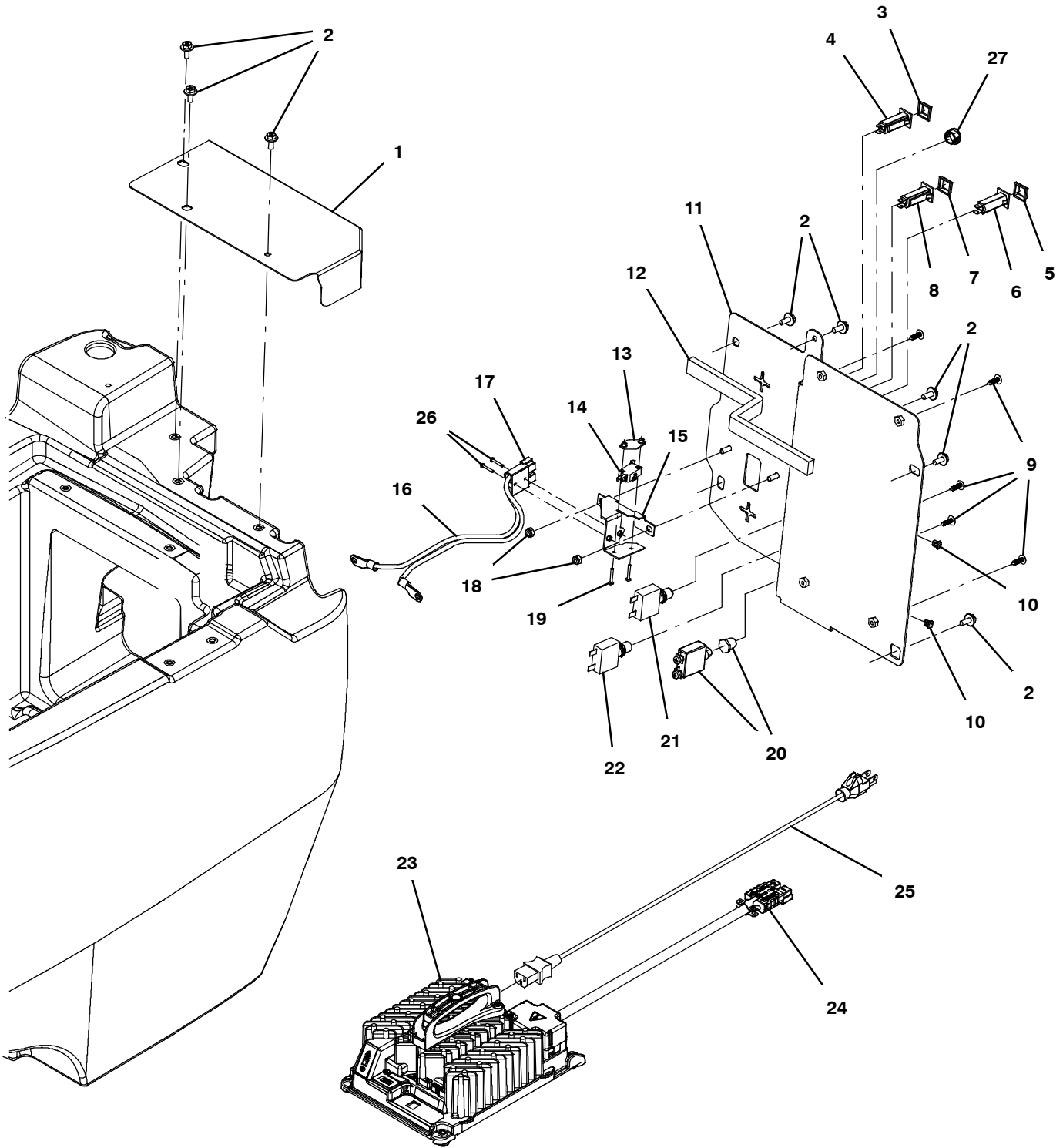
Ref.	Part No.	Serial Number	Description	Qty.	
1	1225401	(10000000- 20000000)	Bracket, Cover, Charger	1	
2	1034731	(10000000- 20000000)	Screw, Hex, M6 X 1.00 X 16, Sems, Ss	8	
3	1064191	(10000000- 20000000)	Boot, Circuitbreaker	1	
4	1208816	(10000000- 20000000)	Circuitbreaker, 04.0a, Resetable (Key Switch)	1	
5	1064191	(10000000- 20000000)	Boot, Circuitbreaker	1	
6	1064187	(10000000- 20000000)	Circuitbreaker, 10.0a, Resetable (Actuator)	1	
7	1064191	(10000000- 20000000)	Boot, Circuitbreaker	1	
8	1064189	(10000000- 20000000)	Circuitbreaker, 20.0a, Resetable (Vacuum Fan)	1	
9	1205799	(10000000- 20000000)	Screw, Btn, M5 X 0.8 X 16, 8.8, NI, Torx	5	
10	1205496	(10000000- 20000000)	Hook, Cord	2	
▽	11	1250046	(10978950- 20000000)	Charger, 24vdc 25a 100- 240vac [On- Board]	1
▽	11	1220856	(10000000- 10978949)	Charger, 24vdc 25a 115- 240vac [On- Board] (Replaced By 1250046)	1
▲	12	605387	(10000000- 20000000)	Connector, Anderson, 050a, Red [W/O Con]	1
	13	1025642	(10000000- 20000000)	Cord, Power, 16/3, 15ft Blk [Us]	1
	13	1026330	(10000000- 20000000)	Cord, Power, 1.0mm2 [2.5meter]	1
	13	1026325	(10000000- 20000000)	Cord, Power, 1.0mm2/3 Blk[2.5meter, Aus]	1
	13	1048304	(10000000- 20000000)	Cord, Power [4.5meter, India, S.Africa]	1
	14	1202868	(10000000- 20000000)	Clip, Tie, 0.25d, Plstc	2
	15	1225019	(10000000- 20000000)	Bracket Wldt, Charger	1
	16	1046428	(10000000- 20000000)	Seal, Afmkt, Rbr, Clsd, Adh, 02ft	1
	17	1014668	(10000000- 20000000)	Bushing, Sleeve, 8mmb 12mmd 6mml	2
	18	611311	(10982634- 20000000)	Spring, Cmpr, 0.40od .05wir 00.5l, Pl,Mw	1
	18	611311	(10000000- 10982633)	Spring, Cmpr, 0.40od .05wir 00.5l, Pl,Mw	2
	19	1024965	(10982634- 20000000)	Bolt, Shld, 08mmd X 030mm, M06 X 1.0	1
	19	1024965	(10000000- 10982633)	Bolt, Shld, 08mmd X 030mm, M06 X 1.0	2
	20	383729	(10000000- 20000000)	Circuitbreaker, 60.0a (I- Drive)	1
	21	383724	(10000000- 20000000)	Circuitbreaker, 25.0a, Resetable (Left Scrub Motor)	1
	22	383724	(10000000- 20000000)	Circuitbreaker, 25.0a, Resetable (Right Scrub Motor)	1
	23	26395- 2	(10000000- 20000000)	Clamp, Cable, Stl, 0.38d X 0.38w, 1hole	1
	24	140262	(10000000- 20000000)	Clip, Snap- In	1
	25	1059534	(10000000- 20000000)	Fastener, 09.00l [Hook & Loop]	1
	26	1224589	(10000000- 20000000)	Bracket, Cover, Charger Cables	1
	27	1248098	(10982634- 20000000)	Screw, Btn, Flng, M6 X 1.0 X 30, 10.9	1
▽	28	1073634	(10000000- 20000000)	Harness, Chrgr, 12ga [M8 Ring/M8 Ring]	1
▲	29	605387	(10000000- 20000000)	Connector, Anderson, 050a, Red [W/O Con]	1
	30	1058340	(10000000- 20000000)	Plug, Hole, Rnd, 0.63h 0.1l, Blk (Models w/out ec- H2O / ABW Option)	1

▽ ASSEMBLY

▲ INCLUDED IN ASSEMBLY

LOWER CONSOLE GROUP, OFF-BOARD CHARGER

355461



LOWER CONSOLE GROUP, OFF- BOARD CHARGER

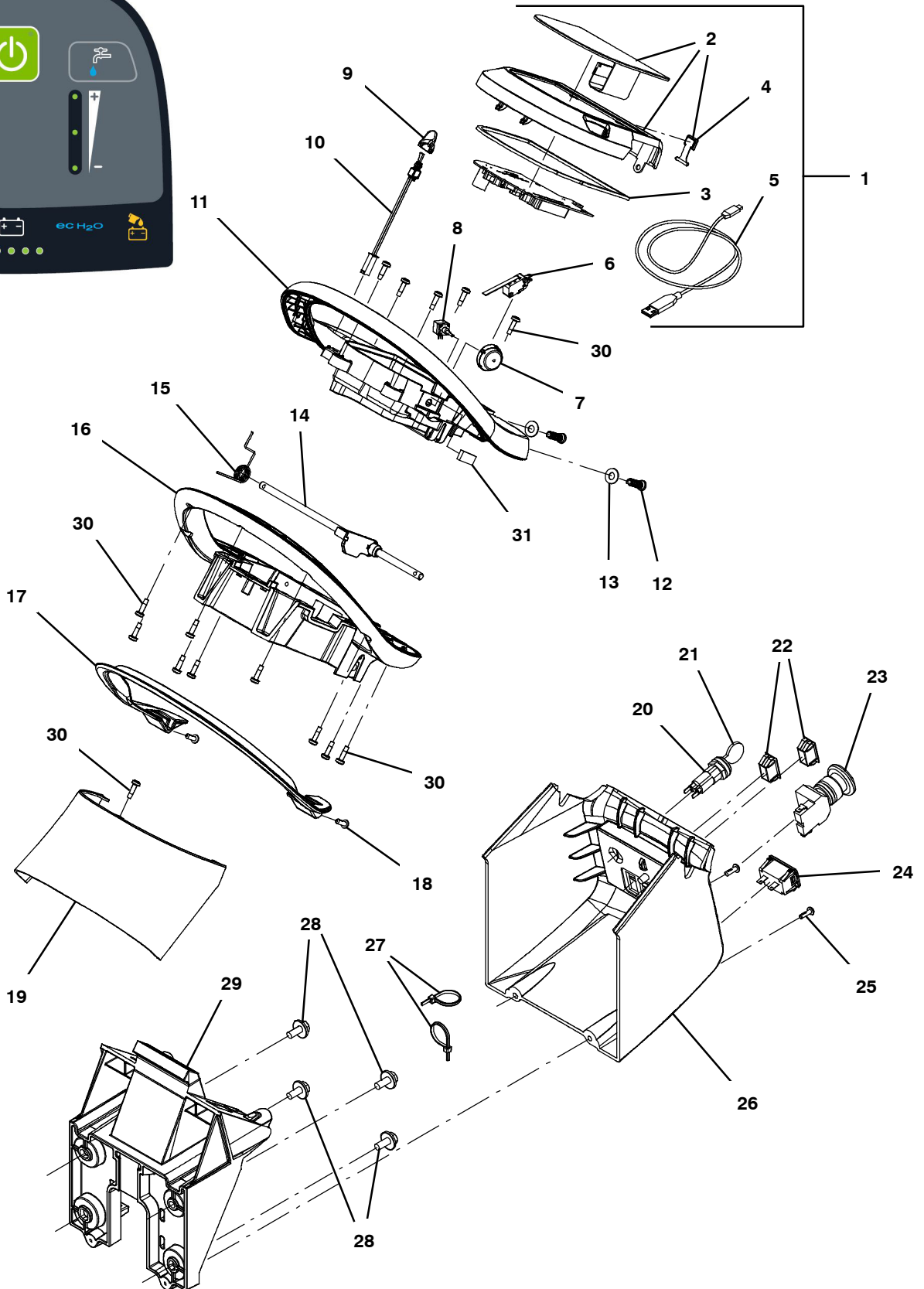
Ref.	Part No.	Serial Number	Description	Qty.	
1	1225401	(10000000- 20000000)	Bracket, Cover, Charger	1	
2	1034731	(10000000- 20000000)	Screw, Hex, M6 X 1.00 X 16, Sems, Ss	8	
3	1064191	(10000000- 20000000)	Boot, Circuitbreaker	1	
4	1208816	(10000000- 20000000)	Circuitbreaker, 04.0a, Resetable (Key Switch)	1	
5	1064191	(10000000- 20000000)	Boot, Circuitbreaker	1	
6	1064187	(10000000- 20000000)	Circuitbreaker, 10.0a, Resetable (Actuator)	1	
7	1064191	(10000000- 20000000)	Boot, Circuitbreaker	1	
8	1064189	(10000000- 20000000)	Circuitbreaker, 20.0a, Resetable (Vacuum Fan)	1	
9	397780	(10000000- 20000000)	Plug, Hole, Rnd, 0.19h 0.7l, Brb, Plstc	5	
10	1202868	(10000000- 20000000)	Clip, Tie, 0.25d, Plstc	2	
11	1225019	(10000000- 20000000)	Bracket Wldt, Charger	1	
12	1046428	(10000000- 20000000)	Seal, Afmkt, Rbr, Clsd, Adh, 02ft	1	
13	1013705	(10000000- 20000000)	Plate, Thread, Switch, M3 Nut, 96hr PI	1	
14	1215716	(10000000- 20000000)	Switch, 0.1a, Spdt[Micro, Gold Contacts]	1	
15	1225158	(10000000- 20000000)	Bracket Assy, Charger Plug	1	
▽	16	1073634	(10000000- 20000000)	Harness, Chrgr, 12ga [M8 Ring/M8 Ring]	1
▲	17	605387	(10000000- 20000000)	Connector, Anderson, 050a, Red [W/O Con]	1
	18	08712	(10000000- 20000000)	Nut, Hex, Lock, M6 X 1.00, NI, Ss	2
	19	06922	(10000000- 20000000)	Screw, Pan, Phl, M3 X 0.50 X 20, 4.8	2
	20	383729	(10000000- 20000000)	Circuitbreaker, 60.0a (I- Drive)	1
	21	383724	(10000000- 20000000)	Circuitbreaker, 25.0a, Resetable (Left Scrub Motor)	1
	22	383724	(10000000- 20000000)	Circuitbreaker, 25.0a, Resetable (Right Scrub Motor)	1
▽	23	9015391	(10000000- 20000000)	Charger Assy, Off- Board [T500/T500e]	1
▲	24	605387	(10000000- 20000000)	Connector, Anderson, 050a, Red [W/O Con]	1
	25	1025642	(10000000- 20000000)	Cord, Power, 16/3, 15ft Blk [Us]	1
	25	1026330	(10000000- 20000000)	Cord, Power, 1.0mm2 [2.5meter] (China)	1
	25	1026325	(10000000- 20000000)	Cord, Power, 1.0mm2/3 Blk[2.5meter, Aus]	1
	25	1048304	(10000000- 20000000)	Cord, Power [4.5meter, India, S.Africa]	1
	26	06922	(10000000- 20000000)	Screw, Pan, Phl, M3 X 0.50 X 20, 4.8	2
	27	1058340	(10000000- 20000000)	Plug, Hole, Rnd, 0.63h 0.1l, Blk (Models w/out ec- H2O / ABW Option)	1

▽ ASSEMBLY

▲ INCLUDED IN ASSEMBLY

CONSOLE GROUP

355460



CONSOLE GROUP

Ref.	Part No.	Serial Number	Description	Qty.
▽	1	9015780*	(10000000- 20000000) Bezel Kit, Membrane [T500e]	1
▲▽	2	9015781	(10000000- 20000000) Screen Kit [T500e]	1
▲▲	3	1245824	(MAR2020- 20000000) Gasket, Console	1
▲▲	4	1205618	(10000000- 20000000) Cap, Usb	1
▲	5	1071235	(10000000- 20000000) Cable [Usb, 2m, A- Male To Mini- B- Male]	1
	6	1205323	(10000000- 20000000) Switch, 0.1a, Spdt [Micro, Straight]	1
	7	1234365	(10000000- 20000000) Dial, Range, Speed	1
	8	1256757	(11008828- 20000000) Potentiometer [100k, 1 Turn, Multi- Mach]	1
	8	1246392	(10947727- 11008827) Potentiometer [100k, 1 Turn, B5/B7] (Rpld by 1256757)	1
	8	1204930	(10000000- 10947726) Potentiometer [100k, 1 Turn, B5/B7] (Rpld by 1256757)	1
	9	1209730	(10000000- 20000000) Cap, Toggle, Direction	1
	10	1209673	(10000000- 20000000) Switch Assy, Toggle, Direction	1
	11	1203787	(10000000- 20000000) Housing, Handle, Cntrl, Top	2
	12	1215863	(10000000- 20000000) Screw, Pan, Torx, M8 X 3.5 X 25[Remform]	2
	13	140027	(10000000- 20000000) Washer, Flat, 0.35b 0.75d .04, Ss	2
	14	1205143	(10000000- 20000000) Shaft Assy, Bail, Handle	1
	15	1205781	(10000000- 20000000) Spring, Return, Bail	1
	16	1222608	(10000000- 20000000) Housing, Handle, Cntrl, Bottom, Slotted	1
	17	1205778	(10000000- 20000000) Handle, Bail [Machined]	1
	18	1205799	(10000000- 20000000) Screw, Btn, M5 X 0.8 X 16, 8.8, NI, Torx	2
	19	1207004	(10000000- 20000000) Cover, Handle, Cntrl	1
▽	20	1011402	(10000000- 20000000) Switch, Key	1
▲	21	1017696	(10000000- 20000000) Key Set, Replmt [F/ Keyswitch 1011402]	1
	22	582150	(10000000- 20000000) Plug, Hole, Rt, 1.23 X 1.12, Nyl	2
	23	1011735	(10000000- 20000000) Switch, Safety, Shutoff	1
	24	1064038	(10000000- 20000000) Gauge, Hourmeter, 05- 277 Volt, Ac / Dc	1
	25	1205799	(10000000- 20000000) Screw, Btn, M5 X 0.8 X 16, 8.8, NI, Torx	2
	26	1223019	(10000000- 20000000) Cover, Console, Lower [T500e]	1
	27	130773	(10000000- 20000000) Tie, Cable, Nyl, 11.0l, .14w, 3.0 Max. D	2
	28	1020341	(10000000- 20000000) Screw, Hex, M8 X 1.25 X 20, Ss, Sems	4
	29	1226368	(10000000- 20000000) Frame, Console, Short, Simplified [Im]	1
	30	1043573	(10000000- 20000000) Screw, #10- 14 X 0.675, Spl[Shcs,Selftap]	15
	31	1063909	(MAR2020- 20000000) Seal, Afmkt, Rbr, Clsd, Adh, 01ft	1

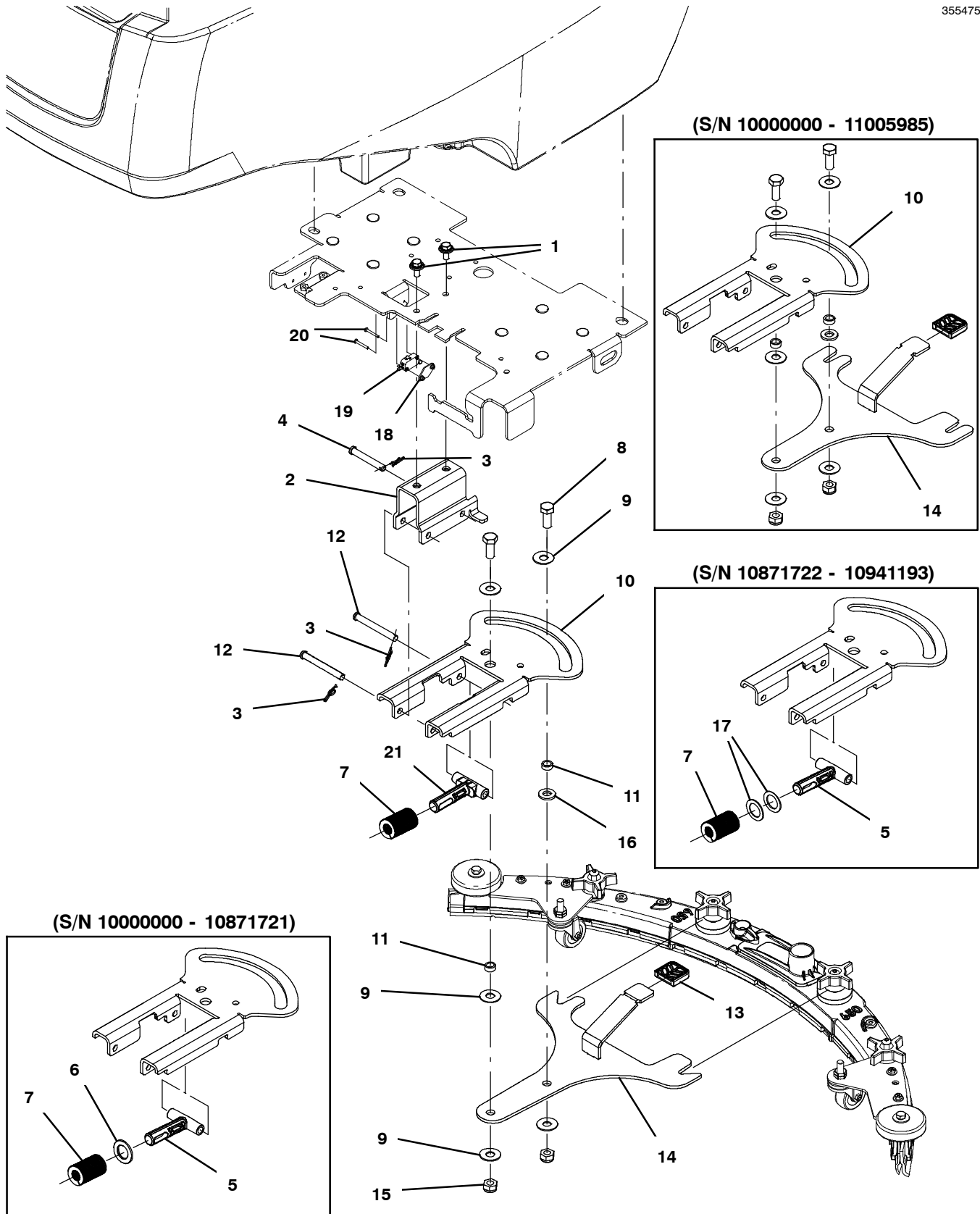
* Requires Tennant *True* service or an authorized Tennant service provider.

▽ ASSEMBLY

▲ INCLUDED IN ASSEMBLY

SQUEEGEE LIFT GROUP

355475

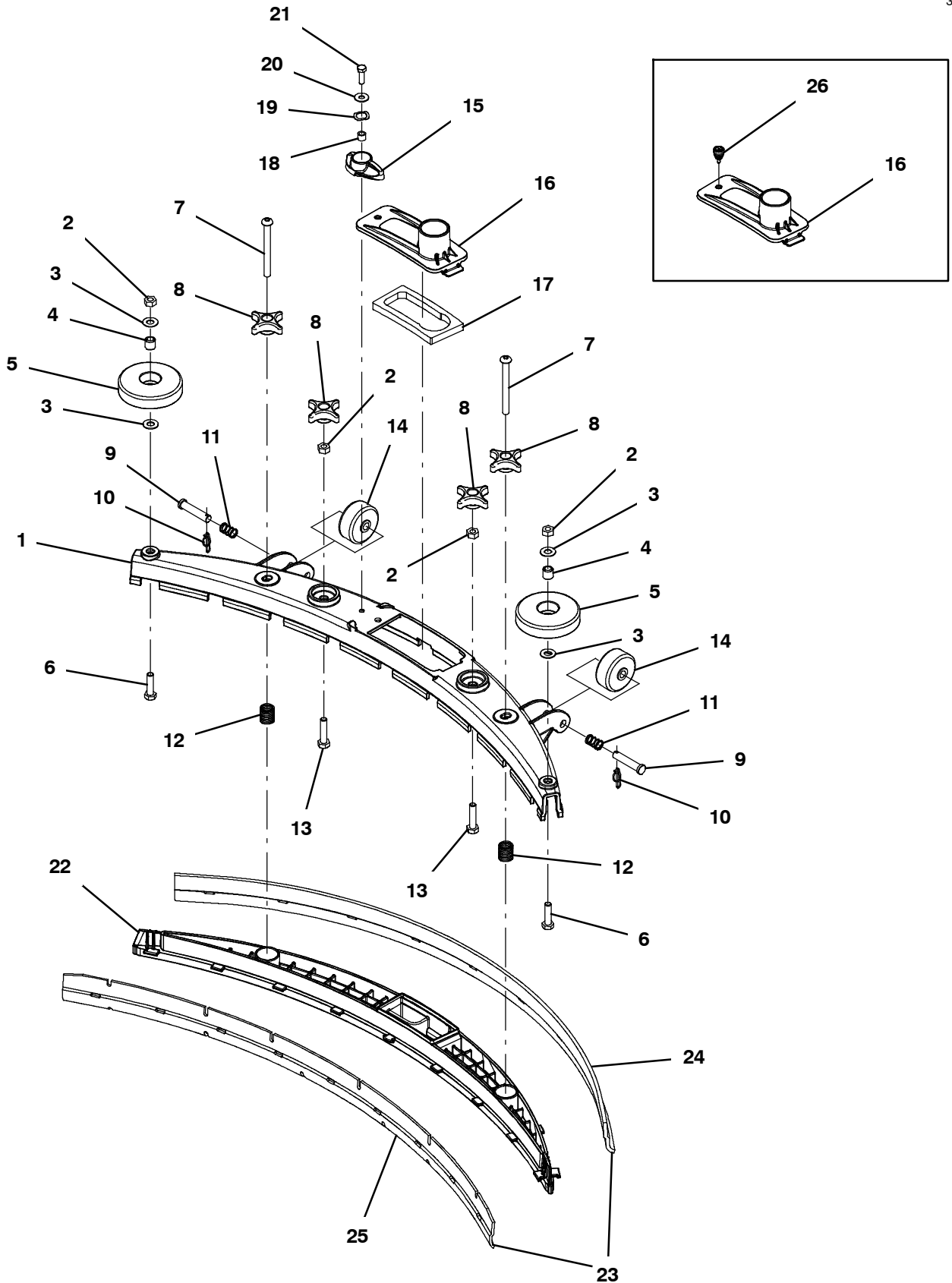


SQUEEGEE LIFT GROUP

Ref.	Part No.	Serial Number	Description	Qty.
1	1020341	(10000000- 20000000)	Screw, Hex, M8 X 1.25 X 20, Ss, Sems	2
2	1221959	(10000000- 20000000)	Bracket, Wldt, Lift, Sqge [T500]	1
3	1216647	(10000000- 20000000)	Pin, Cotter, Hair, 0.38d .054 Wir	3
4	391179	(10000000- 20000000)	Pin, Clevis, 0.37d X 2.62l	1
5	1230368	(10000000- 10941193)	Guide, Spring (Replaced by 9016898)	1
6	1225960	(10000000- 10871721)	Washer, Thrust, 0.89b 1.50d 0.13w, Bnz	1
7	1253245	(10997797- 20000000)	Spring, Cmpr, 1.4od, .874id, .263d, 2.0l	1
7	1228773	(10000000- 10997796)	Spring, Cmpr, 1.25od, .625id, 2.0l (Replaced By 1253245)	1
8	12309	(10000000- 20000000)	Screw, Hex, M12 X 1.75 X 30, Ss	2
9	140045	(10000000- 20000000)	Washer, Flat, 0.51b 1.25d .06, Ss	5
10	1255528	(11005986- 20000000)	Bracket, Pivot, Sqge [T500]	1
10	1219466	(10000000- 11005985)	Bracket, Pivot, Sqge [T500]	1
11	1013662	(10000000- 20000000)	Bushing, Sleeve, 12mmb 16mmd 7mml, Pm Yel	2
12	57598	(10000000- 20000000)	Pin, Clevis, 0.37d X 3.25l	2
13	1212533	(10000000- 20000000)	Cover, Pedal, Lift	1
14	1246993	(11005986- 20000000)	Bracket Wldt, Mtg, Sqge [T500]	1
14	1220505	(10000000- 11005985)	Bracket Wldt, Mtg, Sqge [T500]	1
15	09741	(10000000- 20000000)	Nut, Hex, Lock, M12 X 1.75, NI, Ss	2
16	140127	(10000000- 20000000)	Washer, Thrust, 0.51b 1.00d 0.12w, Brz	1
17	82226	(10871722- 10941193)	Washer, Flat, 0.91b 1.38d .06, Stl, PI	2
18	1013705	(10000000- 20000000)	Plate, Thread, Switch, M3 Nut, 96hr PI	1
19	1215716	(10000000- 20000000)	Switch, 0.1a, Spdt[Micro, Gold Contacts]	1
20	33933	(10000000- 20000000)	Screw, Pan, Phl, M3 X 0.50 X 25, Ss	2
21	1235860	(10941194- 20000000)	Guide, Spring	1

SQUEEGEE ASSEMBLY, 500MM / 20IN

355437



SQUEEGEE ASSEMBLY, 500MM / 20IN

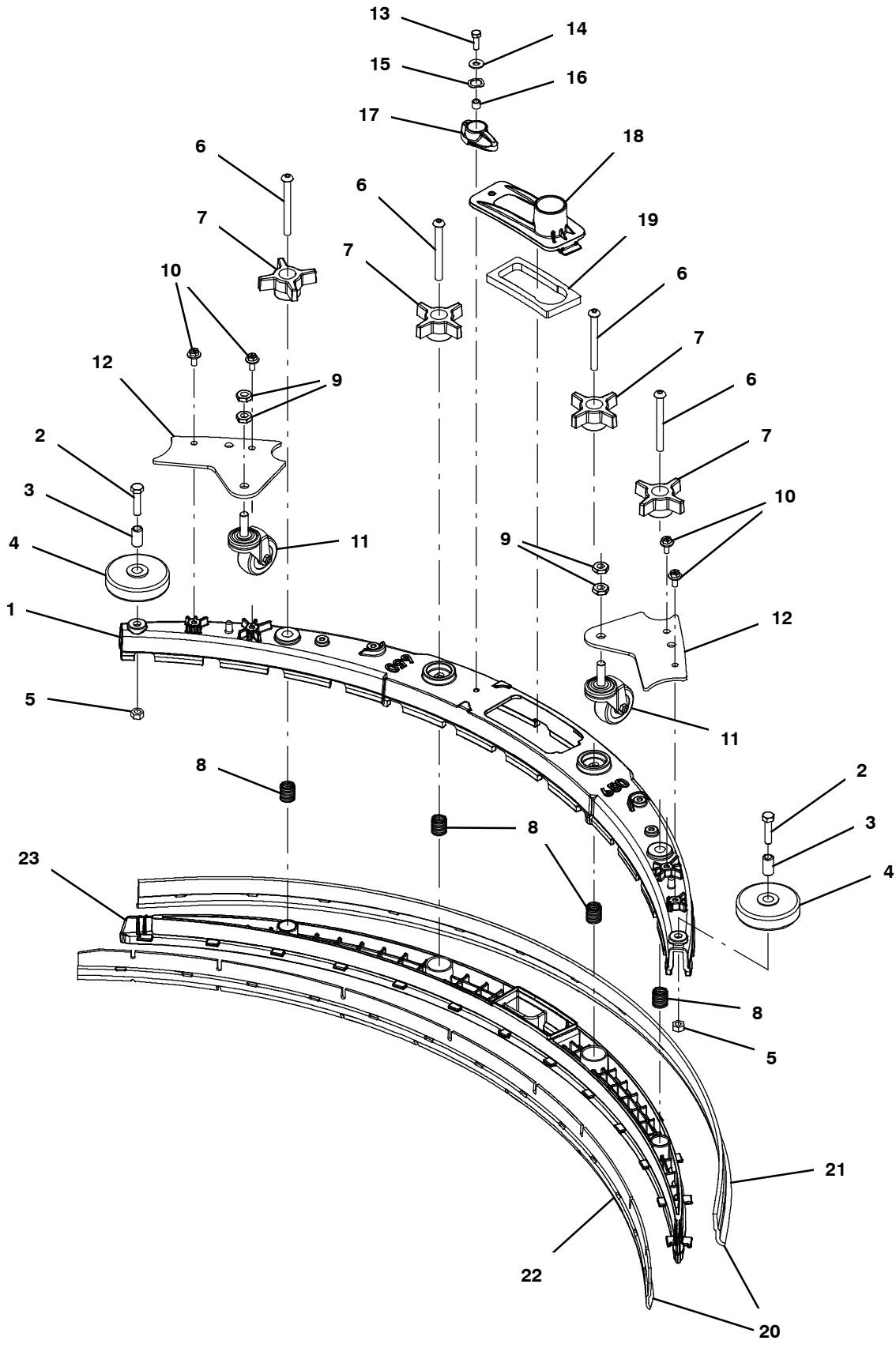
Ref.	Part No.	Serial Number	Description	Qty.
▽	9014172	(10000000-20000000)	Squeegee Kit, Linatex, Ci [T300/E/Ss300]	1
▲	1 1230946	(10000000-20000000)	Frame, Sqge, 50cm, Mach [T300]	1
▲	2 07786	(10000000-20000000)	Nut, Hex, Std, M8 X 1.25, Ss	2
▲	3 140027	(10000000-20000000)	Washer, Flat, 0.35b 0.75d .04, Ss	4
▲	4 222460	(10000000-20000000)	Sleeve, P/M, 0.32b 0.50d 0.5l [430ss]	2
▲	5 1010560	(10000000-20000000)	Wheel, Bmpr, 80d X 25w, Non-Marking	2
▲	6 1016399	(10000000-20000000)	Screw, Hex, M8 X 1.25 X 30, NI, Ss	2
▲	7 1212755	(10000000-20000000)	Screw, Btn, M8 X 1.25 X 80, Ss	2
▲	8 1213677	(10000000-20000000)	Knob, Star, 2.00od 4ear M8x1.25 [Yel]	4
▲	9 17461	(10000000-20000000)	Pin, Clevis, 0.37d X 1.75l	2
▲	10 1216647	(10000000-20000000)	Pin, Cotter, Hair, 0.38d .054 Wir	2
▲	11 1017091	(10000000-20000000)	Spring, Cmpr, 0.50od .04wir 00.8l	2
▲	12 22290	(10000000-20000000)	Spring, Cmpr, 0.72od .06wir 02.3l	2
▲	13 09026	(10000000-20000000)	Screw, Hex, M8 X 1.25 X 40, Ss	2
▲	14 630477	(10000000-20000000)	Wheel, Pyu, 02.0d 0.38w, Gray	2
▲	15 1222109	(xxxxxxx-20000000)	Knob, Sqge, 58l, M6 X 1.00, Plstc	1
▲	16 1209631	(10000000-20000000)	Cover, Trap, Water, Sqge	1
▲	17 1210756	(10000000-20000000)	Gasket, Trap, Water, Sqge	1
▲	18 140154	(xxxxxxx-20000000)	Sleeve, P/M, 0.25b 0.38d 0.3l, PI	1
▲	19 140060	(xxxxxxx-20000000)	Washer, .505 X .750 X 0.45 Wave	1
▲	20 01684	(xxxxxxx-20000000)	Washer, Flat, 0.27b 0.69d .05, Ss	1
▲	21 12277	(xxxxxxx-20000000)	Screw, Hex, M6 X 1.00 X 20, NI, Ss	1
▲	22 1203638	(10000000-20000000)	Retainer, Sqge [T300]	1
▲▽	23 9015731	(10000000-20000000)	Blade Kit, 500mm, Linatex (Standard)	1
▲▲	24 1203953	(10000000-20000000)	Blade, Sqge, Rear, 836l, Linatex[500mm] (Standard)	1
▲▲	25 1203954	(10000000-20000000)	Blade, Sqge, Front, 788l, Linatex[500mm] (Standard)	1
▽	23 9015732	(10000000-20000000)	Blade Kit, 500mm, Urethane (Option)	1
▲	24 1215609	(10000000-20000000)	Blade, Sqge, Rear, 836l, Urethane[500mm] (Option)	1
▲	25 1215611	(10000000-20000000)	Blade, Sqge, Front, 788l, Urethane[500mm] (Option)	1
▽	23 9015730	(10000000-20000000)	Blade Kit, 500mm, Gum (Option)	1
▲	24 1215610	(10000000-20000000)	Blade, Sqge, Rear, 836l, Gum[500mm] (Option)	1
▲	25 1215612	(10000000-20000000)	Blade, Sqge, Front, 788l, Gum[500mm] (Option)	1
	26 1212683	(10000000-xxxxxxx)	Screw, Captive, M5, Knurled [Snap In]	1

▽ ASSEMBLY

▲ INCLUDED IN ASSEMBLY

SQUEEGEE ASSEMBLY, 650MM / 26IN
(New Style 9021741)

355838



**SQUEEGEE ASSEMBLY, 650MM / 26IN
(New Style 9021741)**

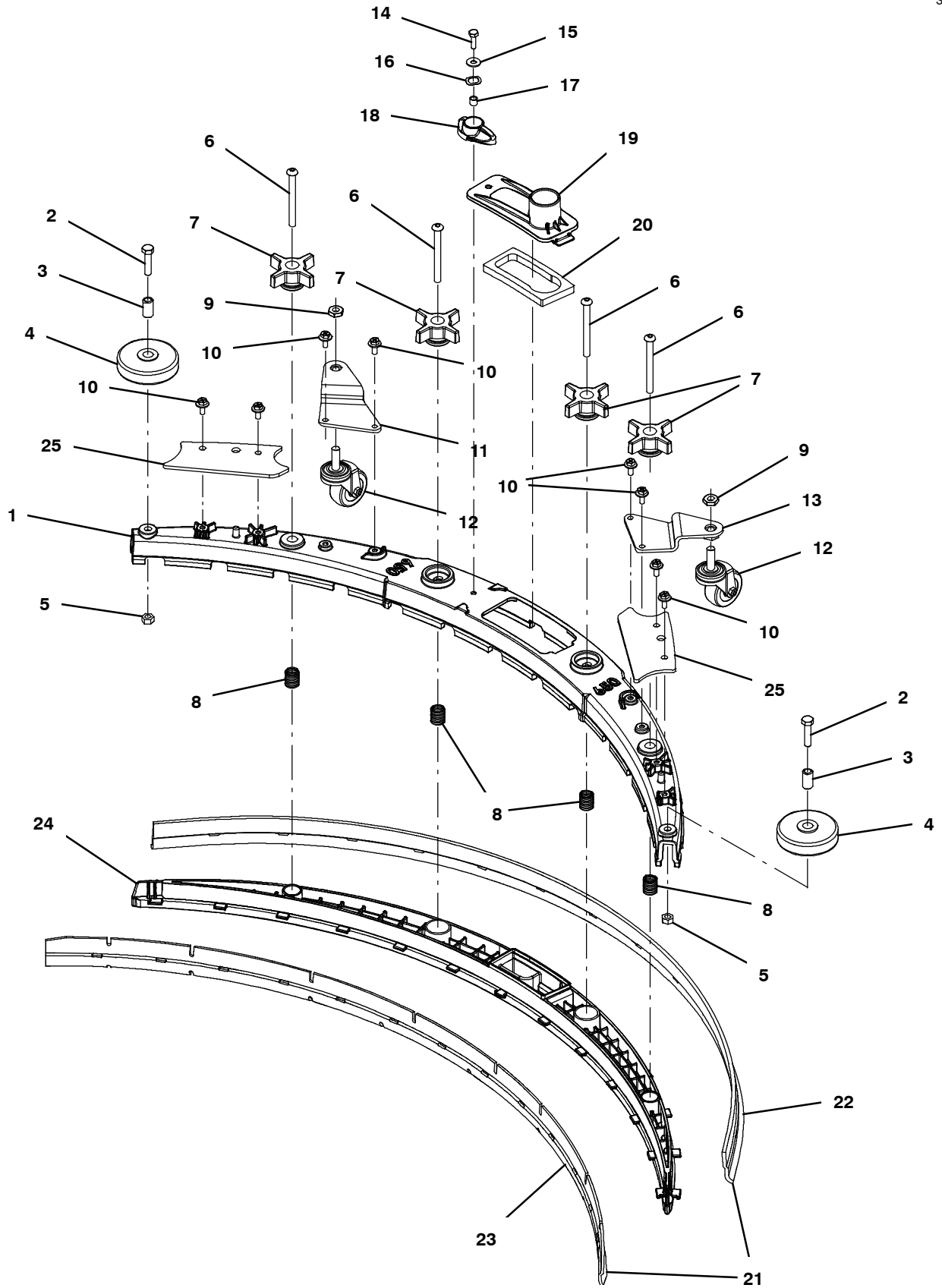
Ref.	Part No.	Serial Number	Description	Qty.
▽	9021741	(11005986-20000000)	Squeegee Kit, 650mm	1
▲	1 1243537	(11005986-20000000)	Frame, Sqge, 65cm, Mach [T500/T600]	1
▲	2 59658	(10000000-20000000)	Screw, Hex, M8 X 1.25 X 35, NI, Ss	2
▲	3 222496	(10000000-20000000)	Sleeve, P/M, 0.32b 0.50d 0.9l [430ss]	2
▲	4 222066	(10000000-20000000)	Wheel, 03.0d 0.88w 0.50b	2
▲	5 07786	(10000000-20000000)	Nut, Hex, Std, M8 X 1.25, Ss	2
▲	6 1255358	(10000000-20000000)	Screw, Btn, M8 X 1.25 X 85, Ss	4
▲	7 1074204	(10000000-20000000)	Knob,Star,2.75d 4ear 1.1l M8x1.25,Thru,Y	4
▲	8 22290	(10000000-20000000)	Spring, Cmpr, 0.72od .06wir 02.3l	4
▲	9 32716	(11005986-20000000)	Nut, Hex, Jam, M10 X 1.5, Ss	4
▲	10 1034731	(10964903-20000000)	Screw, Hex, M6 X 1.00 X 16, Sems, Ss	4
▲	11 1006343	(10000000-20000000)	Caster, Swivel, 50mmd, M10 X 30, Clr PI	2
▲	12 1243364	(11005986-20000000)	Plate, Caster, Sqge	2
▲	13 12277	(10000000-20000000)	Screw, Hex, M6 X 1.00 X 20, NI, Ss	1
▲	14 01684	(10000000-20000000)	Washer, Flat, 0.27b 0.69d .05, Ss	1
▲	15 140060	(10000000-20000000)	Washer, Wave- Spring, .505 .750 .045	1
▲	16 140154	(10000000-20000000)	Sleeve, P/M, 0.25b 0.38d 0.3l, PI	1
▲	17 1222109	(10000000-20000000)	Knob, Sqge, 58l, M6 X 1.00, Plstc	1
▲	18 1209631	(10000000-20000000)	Cover, Trap, Water, Sqge	1
▲	19 1210756	(10000000-20000000)	Gasket, Trap, Water, Sqge	1
▲▽	20 9015734	(10000000-20000000)	Blade Kit, 650mm, Linatex/Linard (Standard)	1
▲▲	21 1221585	(10000000-20000000)	Blade, Sqge, Rear, 1166l, Linatex[650mm] (Standard)	1
▲▲	22 1232680	(10000000-20000000)	Blade, Sqge, Front, 1072l Linard[650mm] (Standard)	1
▲	23 1221260	(10000000-20000000)	Retainer, Sqge, 65cm [T500]	1
▽	20 9015735	(10000000-20000000)	Blade Kit, 650mm, Urethane (Option)	1
▲	21 1228909	(10000000-20000000)	Blade, Sqge, Rear, 1136l,Urethane[650mm] (Option)	1
▲	22 1228915	(10000000-20000000)	Blade, Sqge, Front,1072l,Urethane[650mm] (Option)	1
▽	20 9015733	(10000000-20000000)	Blade Kit, 650mm, Gum (Option)	1
▲	21 1228910	(10000000-20000000)	Blade, Sqge, Rear, 1136l, Gum[650mm] (Option)	1
▲	22 1228919	(10000000-20000000)	Blade, Sqge, Front, 1072l Gum[650mm] (Option)	1

▽ ASSEMBLY

▲ INCLUDED IN ASSEMBLY

SQUEEGEE ASSEMBLY, 650MM / 26IN
(Original Style 9015301 - Replaced By 9021741)

355438



SQUEEGEE ASSEMBLY, 650MM / 26IN
(Original Style 9015301 - Replaced By 9021741)

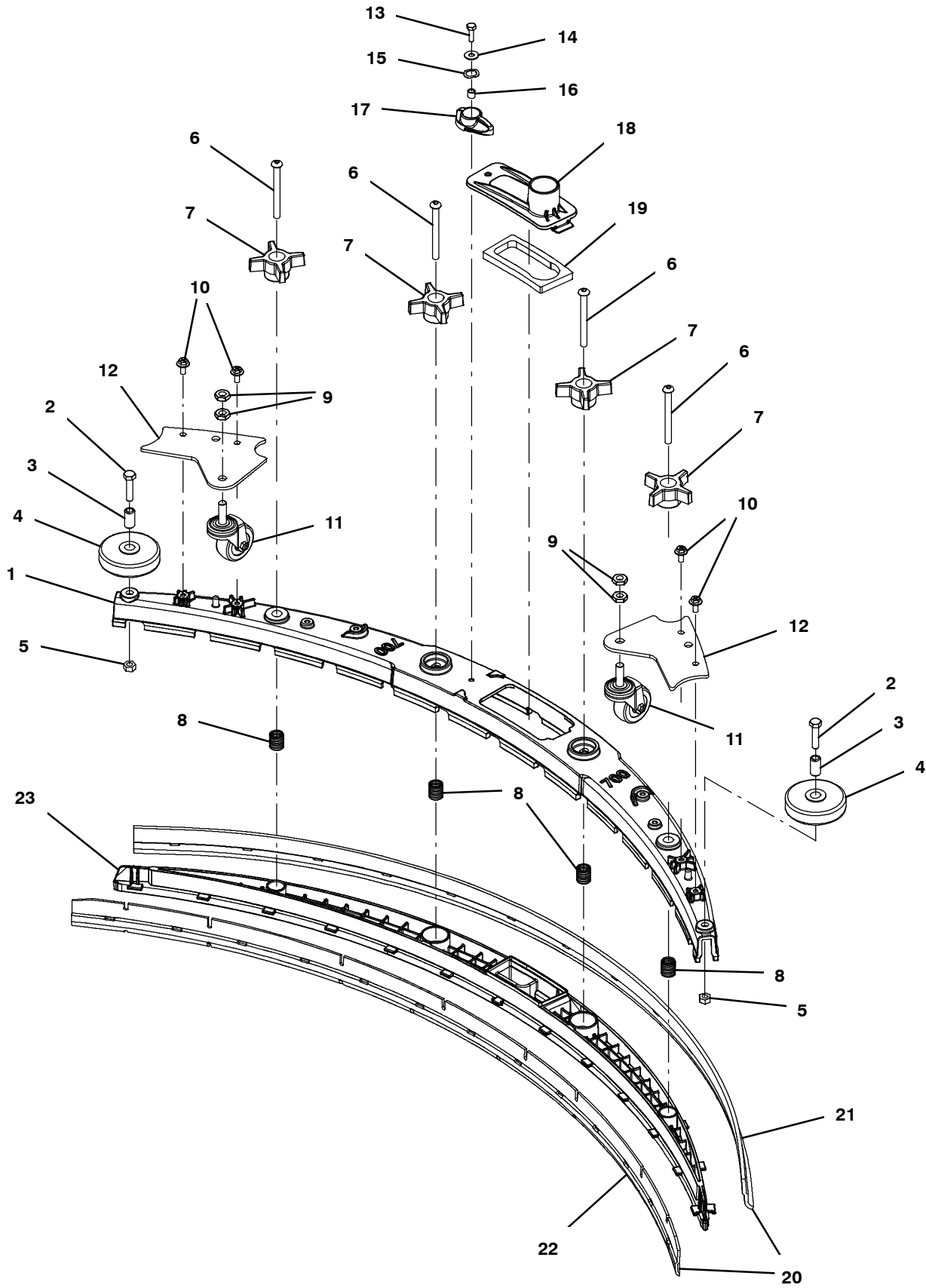
Ref.	Part No.	Serial Number	Description	Qty.
▽	9015301	(10000000- 11005985)	Squeegee Kit, 650mm, Ci (Replaced By 9021741)	1
▲	1 1243537	(10979889- 11005985)	Frame, Sqge, 65cm, Mach [T500/T600]	1
▲	1 1221259	(10000000- 10979888)	Frame, Sqge, 65cm, Mach [T500] (Replaced By 1243537)	1
▲	2 59658	(10000000- 20000000)	Screw, Hex, M8 X 1.25 X 35, NI, Ss	2
▲	3 222496	(10000000- 20000000)	Sleeve, P/M, 0.32b 0.50d 0.9l [430ss]	2
▲	4 222066	(10000000- 20000000)	Wheel, 03.0d 0.88w 0.50b	2
▲	5 07786	(10000000- 20000000)	Nut, Hex, Std, M8 X 1.25, Ss	2
▲	6 1255358	(10000000- 20000000)	Screw, Btn, M8 X 1.25 X 80, Ss	4
▲	7 1074204	(10000000- 20000000)	Knob,Star,2.75d 4ear 1.1l M8x1.25,Thru,Y	4
▲	8 22290	(10000000- 20000000)	Spring, Cmpr, 0.72od .06wir 02.3l	4
▲	9 32716	(10000000- 11005985)	Nut, Hex, Jam, M10 X 1.5, Ss	2
▲	10 1034731	(10000000- 11005985)	Screw, Hex, M6 X 1.00 X 16, Sems, Ss	8
▲	11 1222236	(10000000- 11005985)	Bracket Wldt, Caster, Rh Sqge[T500]	1
▲	12 1006343	(10000000- 20000000)	Caster, Swivel, 50mmd, M10 X 30, Clr PI	2
▲	13 1222001	(10000000- 11005985)	Bracket Wldt, Caster, Lh Sqge [T500]	1
▲	14 12277	(10000000- 20000000)	Screw, Hex, M6 X 1.00 X 20, NI, Ss	1
▲	15 01684	(10000000- 20000000)	Washer, Flat, 0.27b 0.69d .05, Ss	1
▲	16 140060	(10000000- 20000000)	Washer, Wave- Spring, .505 .750 .045	1
▲	17 140154	(10000000- 20000000)	Sleeve, P/M, 0.25b 0.38d 0.3l, PI	1
▲	18 1222109	(10000000- 20000000)	Knob, Sqge, 58l, M6 X 1.00, Plstc	1
▲	19 1209631	(10000000- 20000000)	Cover, Trap, Water, Sqge	1
▲	20 1210756	(10000000- 20000000)	Gasket, Trap, Water, Sqge	1
▲▽	21 9015734	(10000000- 20000000)	Blade Kit, 650mm, Linatex/Linard (Standard)	1
▲▲	22 1221585	(10000000- 20000000)	Blade, Sqge, Rear, 1166l, Linatex[650mm] (Standard)	1
▲▲	23 1232680	(10000000- 20000000)	Blade, Sqge, Front, 1072l Linard[650mm] (Standard)	1
▲	24 1221260	(10000000- 20000000)	Retainer, Sqge, 65cm [T500]	1
▲	25 1230738	(10000000- 11005985)	Bracket, Sqge Bumper	2
▽	21 9015735	(10000000- 20000000)	Blade Kit, 650mm, Urethane (Option)	1
▲	22 1228909	(10000000- 20000000)	Blade, Sqge, Rear, 1136l,Urethane[650mm] (Option)	1
▲	23 1228915	(10000000- 20000000)	Blade, Sqge, Front,1072l,Urethane[650mm] (Option)	1
▽	21 9015733	(10000000- 20000000)	Blade Kit, 650mm, Gum (Option)	1
▲	22 1228910	(10000000- 20000000)	Blade, Sqge, Rear, 1136l, Gum[650mm] (Option)	1
▲	23 1228919	(10000000- 20000000)	Blade, Sqge, Front, 1072l Gum[650mm] (Option)	1

▽ ASSEMBLY

▲ INCLUDED IN ASSEMBLY

SQUEEGEE ASSEMBLY, 700MM / 28IN
(New Style 9021742)

355839



SQUEEGEE ASSEMBLY, 700MM / 28IN
(New Style 9021742)

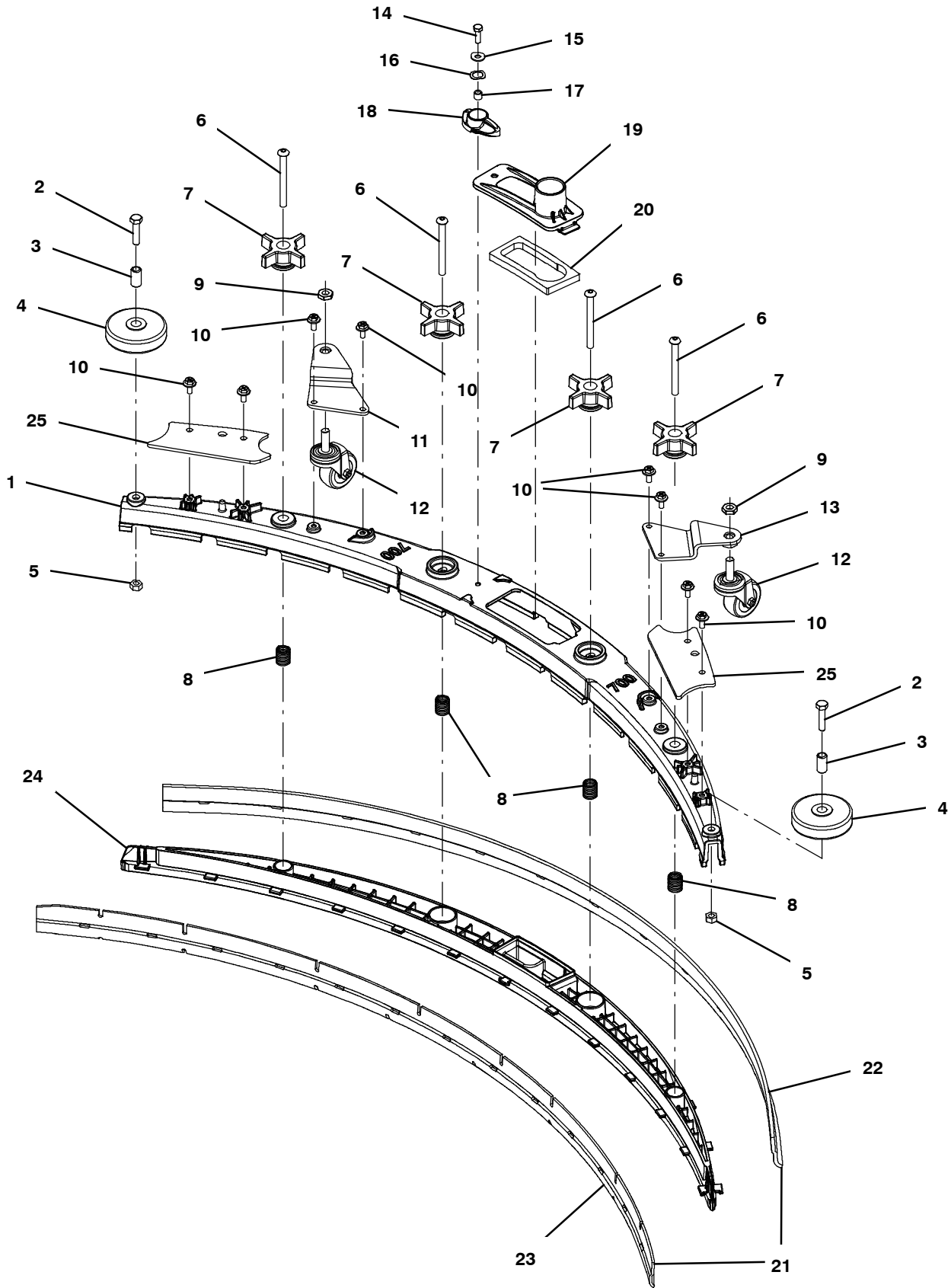
Ref.	Part No.	Serial Number	Description	Qty.
▽	9021742	(11005986- 20000000)	Squeegee Kit, 700mm	1
▲	1 1241632	(11005986- 20000000)	Frame, Sqge, 70cm, Mach [T500/T600]	1
▲	2 59658	(10000000- 20000000)	Screw, Hex, M8 X 1.25 X 35, NI, Ss	2
▲	3 222496	(10000000- 20000000)	Sleeve, P/M, 0.32b 0.50d 0.9l [430ss]	2
▲	4 222066	(10000000- 20000000)	Wheel, 03.0d 0.88w 0.50b	2
▲	5 07786	(10000000- 20000000)	Nut, Hex, Std, M8 X 1.25, Ss	2
▲	6 1255358	(10000000- 20000000)	Screw, Btn, M8 X 1.25 X 85, Ss	4
▲	7 1074204	(10000000- 20000000)	Knob,Star,2.75d 4ear 1.1l M8x1.25,Thru,Y	4
▲	8 22290	(10000000- 20000000)	Spring, Cmpr, 0.72od .06wir 02.3l	4
▲	9 32716	(11005986- 20000000)	Nut, Hex, Jam, M10 X 1.5, Ss	4
▲	10 1034731	(11005986- 20000000)	Screw, Hex, M6 X 1.00 X 16, Sems, Ss	4
▲	11 1006343	(10000000- 20000000)	Caster, Swivel, 50mmd, M10 X 30, Clr PI	2
▲	12 1243364	(11005986- 20000000)	Plate, Caster, Sqge	2
▲	13 12277	(10000000- 20000000)	Screw, Hex, M6 X 1.00 X 20, NI, Ss	1
▲	14 01684	(10000000- 20000000)	Washer, Flat, 0.27b 0.69d .05, Ss	1
▲	15 140060	(10000000- 20000000)	Washer, Wave- Spring, .505 .750 .045	1
▲	16 140154	(10000000- 20000000)	Sleeve, P/M, 0.25b 0.38d 0.3l, PI	1
▲	17 1222109	(10000000- 20000000)	Knob, Sqge, 58l, M6 X 1.00, Plstc	1
▲	18 1209631	(10000000- 20000000)	Cover, Trap, Water, Sqge	1
▲	19 1210756	(10000000- 20000000)	Gasket, Trap, Water, Sqge	1
▲▽	20 9015737	(10000000- 20000000)	Blade Kit, 700mm, Linatex/Linard (Standard)	1
▲▲	21 1221572	(10000000- 20000000)	Blade, Sqge, Rear, 1204l, Linatex[700mm] (Standard)	1
▲▲	22 1232679	(10000000- 20000000)	Blade, Sqge, Front, 1148l Linard[700mm] (Standard)	1
▲	23 1220783	(10000000- 20000000)	Retainer, Sqge, 70cm [T500]	1
▽	20 9015738	(10000000- 20000000)	Blade Kit, 700mm, Urethane (Option)	1
▲	21 1228904	(10000000- 20000000)	Blade, Sqge, Rear, 1204l,Urethane[700mm] (Option)	1
▲	22 1228906	(10000000- 20000000)	Blade, Sqge, Front,1148l Urethane[700mm] (Option)	1
▽	20 9015736	(10000000- 20000000)	Blade Kit, 700mm, Gum (Option)	1
▲	21 1228905	(10000000- 20000000)	Blade, Sqge, Rear, 1204l, Gum[700mm] (Option)	1
▲	22 1228907	(10000000- 20000000)	Blade, Sqge, Front, 1148l Gum[700mm] (Option)	1

▽ ASSEMBLY

▲ INCLUDED IN ASSEMBLY

SQUEEGEE ASSEMBLY, 700MM / 28IN
(Original Style 9015302 - Replaced By 9021742)

355439



SQUEEGEE ASSEMBLY, 700MM / 28IN
(Original Style 9015302 - Replaced By 9021742)

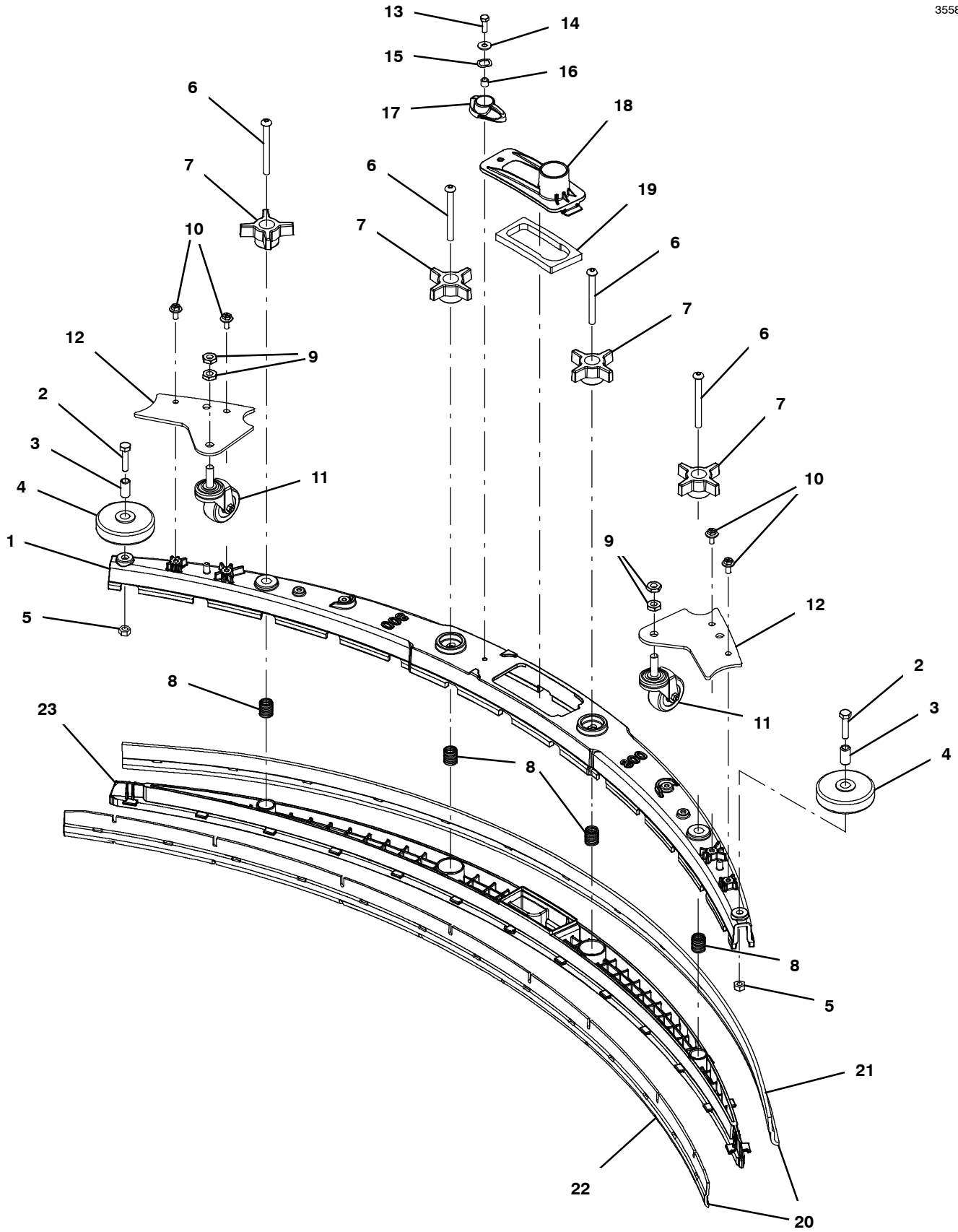
Ref.	Part No.	Serial Number	Description	Qty.
▽	9015302	(10000000- 11005985)	Squeegee Kit, 700mm, Ci (Replaced By 9021742)	1
▲	1 1241632	(10983981- 11005985)	Frame, Sqge, 70cm, Mach [T500/T600]	1
▲	1 1220309	(10000000- 10983980)	Frame, Sqge, 70cm, Mach [T500] (Replaced By 1241632)	1
▲	2 59658	(10000000- 20000000)	Screw, Hex, M8 X 1.25 X 35, NI, Ss	2
▲	3 222496	(10000000- 20000000)	Sleeve, P/M, 0.32b 0.50d 0.9l [430ss]	2
▲	4 222066	(10000000- 20000000)	Wheel, 03.0d 0.88w 0.50b	2
▲	5 07786	(10000000- 20000000)	Nut, Hex, Std, M8 X 1.25, Ss	2
▲	6 1255358	(10000000- 20000000)	Screw, Btn, M8 X 1.25 X 80, Ss	4
▲	7 1074204	(10000000- 20000000)	Knob,Star,2.75d 4ear 1.1l M8x1.25,Thru,Y	4
▲	8 22290	(10000000- 20000000)	Spring, Cmpr, 0.72od .06wir 02.3l	4
▲	9 32716	(10000000- 11005985)	Nut, Hex, Jam, M10 X 1.5, Ss	2
▲	10 1034731	(10000000- 11005985)	Screw, Hex, M6 X 1.00 X 16, Sems, Ss	8
▲	11 1222236	(10000000- 11005985)	Bracket Wldt, Caster, Rh Sqge[T500]	1
▲	12 1006343	(10000000- 20000000)	Caster, Swivel, 50mmd, M10 X 30, Clr PI	2
▲	13 1222001	(10000000- 11005985)	Bracket Wldt, Caster, Lh Sqge [T500]	1
▲	14 12277	(10000000- 20000000)	Screw, Hex, M6 X 1.00 X 20, NI, Ss	1
▲	15 01684	(10000000- 20000000)	Washer, Flat, 0.27b 0.69d .05, Ss	1
▲	16 140060	(10000000- 20000000)	Washer, Wave- Spring, .505 .750 .045	1
▲	17 140154	(10000000- 20000000)	Sleeve, P/M, 0.25b 0.38d 0.3l, PI	1
▲	18 1222109	(10000000- 20000000)	Knob, Sqge, 58l, M6 X 1.00, Plstc	1
▲	19 1209631	(10000000- 20000000)	Cover, Trap, Water, Sqge	1
▲	20 1210756	(10000000- 20000000)	Gasket, Trap, Water, Sqge	1
▲▽	21 9015737	(10000000- 20000000)	Blade Kit, 700mm, Linatex/Linard (Standard)	1
▲▲	22 1221572	(10000000- 20000000)	Blade, Sqge, Rear, 1204l, Linatex[700mm] (Standard)	1
▲▲	23 1232679	(10000000- 20000000)	Blade, Sqge, Front, 1148l Linard[700mm] (Standard)	1
▲	24 1220783	(10000000- 20000000)	Retainer, Sqge, 70cm [T500]	1
▲	25 1230738	(10000000- 11005985)	Bracket, Sqge Bumper	2
▽	21 9015738	(10000000- 20000000)	Blade Kit, 700mm, Urethane (Option)	1
▲	22 1228904	(10000000- 20000000)	Blade, Sqge, Rear, 1204l,Urethane[700mm] (Option)	1
▲	23 1228906	(10000000- 20000000)	Blade, Sqge, Front,1148l Urethane[700mm] (Option)	1
▽	21 9015736	(10000000- 20000000)	Blade Kit, 700mm, Gum (Option)	1
▲	22 1228905	(10000000- 20000000)	Blade, Sqge, Rear, 1204l, Gum[700mm] (Option)	1
▲	23 1228907	(10000000- 20000000)	Blade, Sqge, Front, 1148l Gum[700mm] (Option)	1

▽ ASSEMBLY

▲ INCLUDED IN ASSEMBLY

SQUEEGEE ASSEMBLY, 800MM / 32IN
(New Style 9021743)

355840



SQUEEGEE ASSEMBLY, 800MM / 32IN
(New Style 9021743)

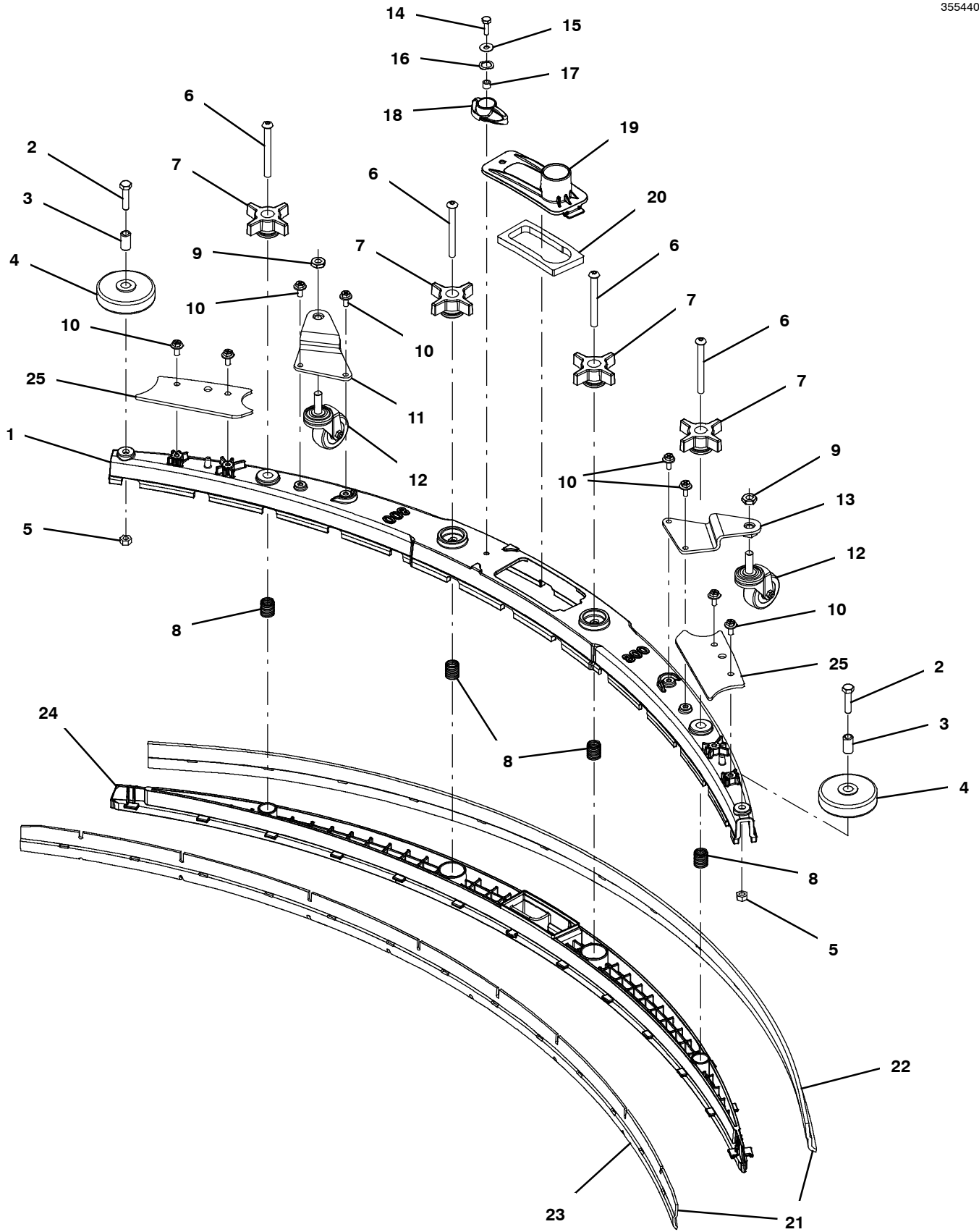
Ref.	Part No.	Serial Number	Description	Qty.
▽	9021743	(11005986-20000000)	Squeegee Kit, 800mm	1
▲	1 1243538	(11005986-20000000)	Frame, Sqge, 80cm, Mach [T500/T600]	1
▲	2 59658	(10000000-20000000)	Screw, Hex, M8 X 1.25 X 35, NI, Ss	2
▲	3 222496	(10000000-20000000)	Sleeve, P/M, 0.32b 0.50d 0.9l [430ss]	2
▲	4 222066	(10000000-20000000)	Wheel, 03.0d 0.88w 0.50b	2
▲	5 07786	(10000000-20000000)	Nut, Hex, Std, M8 X 1.25, Ss	2
▲	6 1255358	(10000000-20000000)	Screw, Btn, M8 X 1.25 X 85, Ss	4
▲	7 1074204	(10000000-20000000)	Knob,Star,2.75d 4ear 1.1l M8x1.25,Thru,Y	4
▲	8 22290	(10000000-20000000)	Spring, Cmpr, 0.72od .06wir 02.3l	4
▲	9 32716	(11005986-20000000)	Nut, Hex, Jam, M10 X 1.5, Ss	4
▲	10 1034731	(11005986-20000000)	Screw, Hex, M6 X 1.00 X 16, Sems, Ss	4
▲	11 1006343	(10000000-20000000)	Caster, Swivel, 50mmd, M10 X 30, Clr PI	2
▲	12 1243364	(11005986-20000000)	Plate, Caster, Sqge	2
▲	13 12277	(10000000-20000000)	Screw, Hex, M6 X 1.00 X 20, NI, Ss	1
▲	14 01684	(10000000-20000000)	Washer, Flat, 0.27b 0.69d .05, Ss	1
▲	15 140060	(10000000-20000000)	Washer, Wave- Spring, .505 .750 .045	1
▲	16 140154	(10000000-20000000)	Sleeve, P/M, 0.25b 0.38d 0.3l, PI	1
▲	17 1222109	(10000000-20000000)	Knob, Sqge, 58l, M6 X 1.00, Plstc	1
▲	18 1209631	(10000000-20000000)	Cover, Trap, Water, Sqge	1
▲	19 1210756	(10000000-20000000)	Gasket, Trap, Water, Sqge	1
▲▽	20 9015740	(10000000-20000000)	Blade Kit, 800mm, Linatex/Linard (Standard)	1
▲▲	21 1221115	(10000000-20000000)	Blade, Sqge, Rear, 1306l, Linatex[800mm] (Standard)	1
▲▲	22 1232681	(10000000-20000000)	Blade, Sqge, Front, 1256l Linard[800mm] (Standard)	1
▲	23 1219405	(10000000-20000000)	Retainer, Sqge, 80cm [T500]	1
▽	20 9015741	(10000000-20000000)	Blade Kit, 800mm, Urethane (Option)	1
▲	21 1228920	(10000000-20000000)	Blade, Sqge, Rear, 1306l,Urethane[800mm] (Option)	1
▲	22 1228922	(10000000-20000000)	Blade, Sqge, Front,1256l Urethane[800mm] (Option)	1
▽	20 9015739	(10000000-20000000)	Blade Kit, 800mm, Gum (Option)	1
▲	21 1228921	(10000000-20000000)	Blade, Sqge, Rear, 1306l, Gum[800mm] (Option)	1
▲	22 1228923	(10000000-20000000)	Blade, Sqge, Front, 1256l Gum[800mm] (Option)	1

▽ ASSEMBLY

▲ INCLUDED IN ASSEMBLY

SQUEEGEE ASSEMBLY, 800MM / 32IN
(Original Style 9015303 - Replaced By 9021743)

355440



SQUEEGEE ASSEMBLY, 800MM / 32IN
(Original Style 9015303 - Replaced By 9021743)

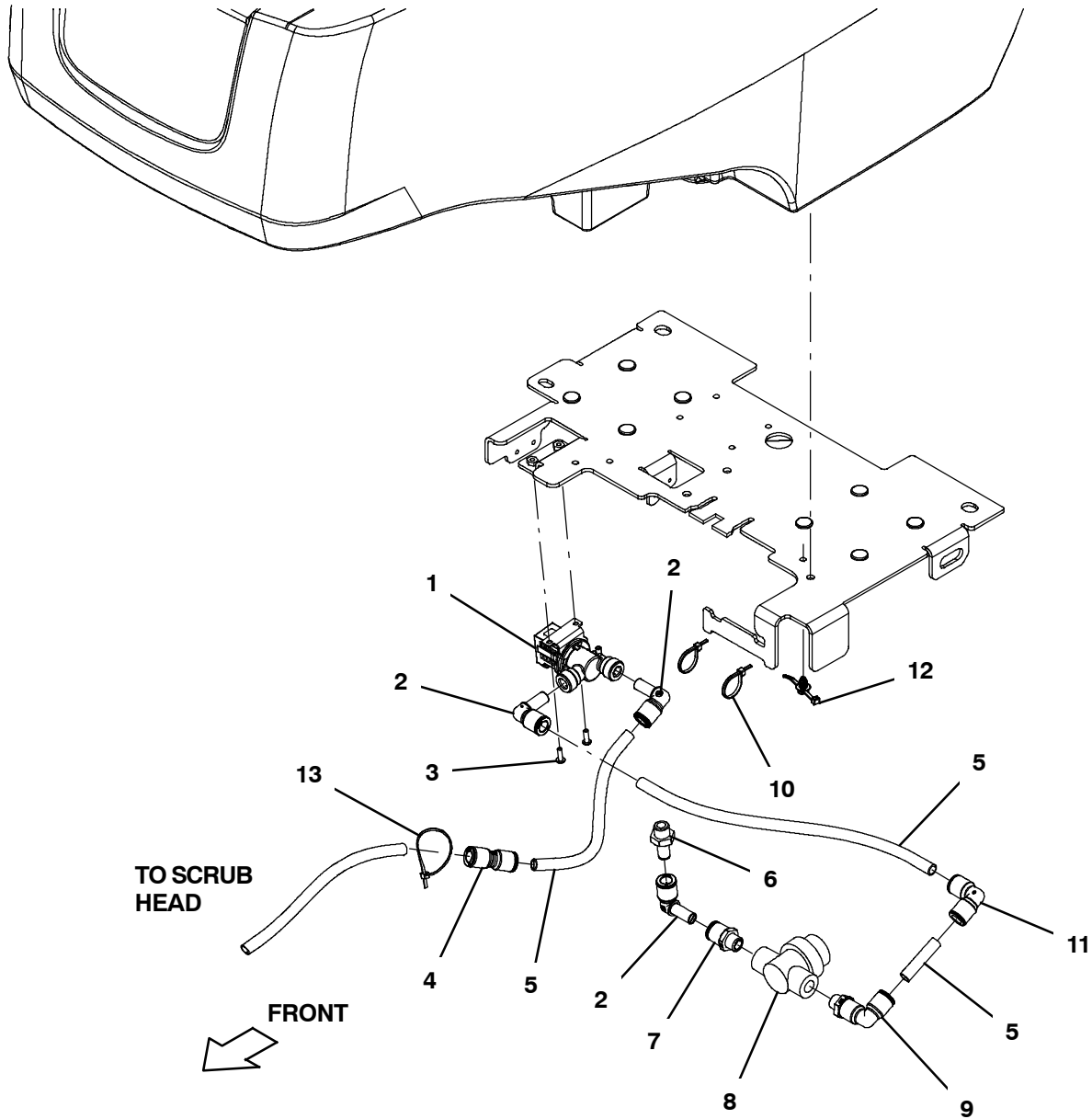
Ref.	Part No.	Serial Number	Description	Qty.
▽	9015303	(10000000- 11005985)	Squeegee Kit, 800mm, Ci (Replaced By 9021743)	1
▲	1 1243538	(10996996- 11005985)	Frame, Sqge, 80cm, Mach [T500/T600]	1
▲	1 1219894	(10000000- 10996995)	Frame, Sqge, 80cm, Mach [T500] (Replaced By 1243538)	1
▲	2 59658	(10000000- 20000000)	Screw, Hex, M8 X 1.25 X 35, NI, Ss	2
▲	3 222496	(10000000- 20000000)	Sleeve, P/M, 0.32b 0.50d 0.9l [430ss]	2
▲	4 222066	(10000000- 20000000)	Wheel, 03.0d 0.88w 0.50b	2
▲	5 07786	(10000000- 20000000)	Nut, Hex, Std, M8 X 1.25, Ss	2
▲	6 1255358	(10000000- 20000000)	Screw, Btn, M8 X 1.25 X 80, Ss	4
▲	7 1074204	(10000000- 20000000)	Knob,Star,2.75d 4ear 1.1l M8x1.25,Thru,Y	4
▲	8 22290	(10000000- 20000000)	Spring, Cmpr, 0.72od .06wir 02.3l	4
▲	9 32716	(10000000- 11005985)	Nut, Hex, Jam, M10 X 1.5, Ss	2
▲	10 1034731	(10000000- 11005985)	Screw, Hex, M6 X 1.00 X 16, Sems, Ss	8
▲	11 1222236	(10000000- 11005985)	Bracket Wldt, Caster, Rh Sqge[T500]	1
▲	12 1006343	(10000000- 20000000)	Caster, Swivel, 50mmd, M10 X 30, Clr PI	2
▲	13 1222001	(10000000- 11005985)	Bracket Wldt, Caster, Lh Sqge [T500]	1
▲	14 12277	(10000000- 20000000)	Screw, Hex, M6 X 1.00 X 20, NI, Ss	1
▲	15 01684	(10000000- 20000000)	Washer, Flat, 0.27b 0.69d .05, Ss	1
▲	16 140060	(10000000- 20000000)	Washer, Wave- Spring, .505 .750 .045	1
▲	17 140154	(10000000- 20000000)	Sleeve, P/M, 0.25b 0.38d 0.3l, PI	1
▲	18 1222109	(10000000- 20000000)	Knob, Sqge, 58l, M6 X 1.00, Plstc	1
▲	19 1209631	(10000000- 20000000)	Cover, Trap, Water, Sqge	1
▲	20 1210756	(10000000- 20000000)	Gasket, Trap, Water, Sqge	1
▲▽	21 9015740	(10000000- 20000000)	Blade Kit, 800mm, Linatex/Linard (Standard)	1
▲▲	22 1221115	(10000000- 20000000)	Blade, Sqge, Rear, 1306l, Linatex[800mm] (Standard)	1
▲▲	23 1232681	(10000000- 20000000)	Blade, Sqge, Front, 1256l Linard[800mm] (Standard)	1
▲	24 1219405	(10000000- 20000000)	Retainer, Sqge, 80cm [T500]	1
▲	25 1230738	(10000000- 11005985)	Bracket, Sqge Bumper	2
▽	21 9015741	(10000000- 20000000)	Blade Kit, 800mm, Urethane (Option)	1
▲	22 1228920	(10000000- 20000000)	Blade, Sqge, Rear, 1306l,Urethane[800mm] (Option)	1
▲	23 1228922	(10000000- 20000000)	Blade, Sqge, Front,1256l Urethane[800mm] (Option)	1
▽	21 9015739	(10000000- 20000000)	Blade Kit, 800mm, Gum (Option)	1
▲	22 1228921	(10000000- 20000000)	Blade, Sqge, Rear, 1306l, Gum[800mm] (Option)	1
▲	23 1228923	(10000000- 20000000)	Blade, Sqge, Front, 1256l Gum[800mm] (Option)	1

▽ ASSEMBLY

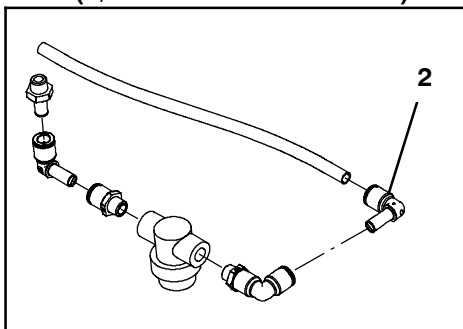
▲ INCLUDED IN ASSEMBLY

STANDARD SOLUTION GROUP

355468



(S/N 10000000 - 10865726)



STANDARD SOLUTION GROUP

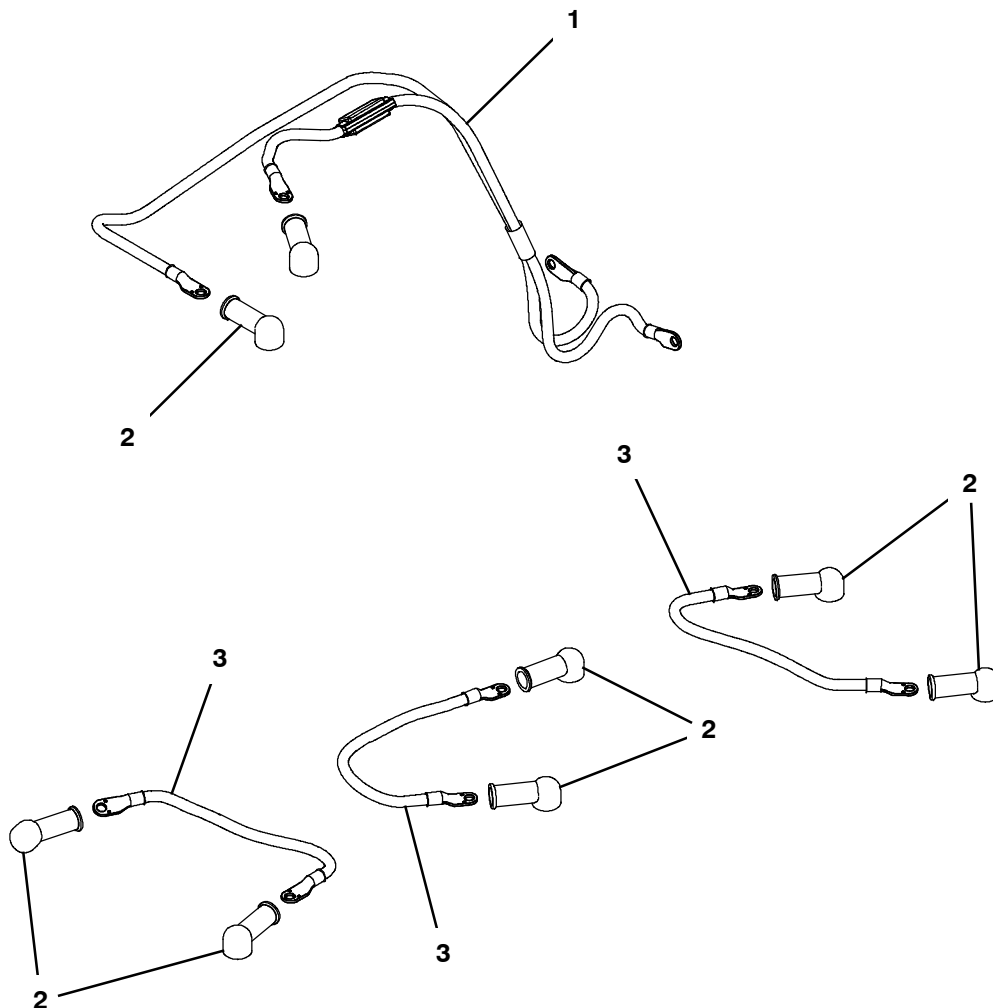
Ref.	Part No.	Serial Number	Description	Qty.	
1	1211424	(10000000- 20000000)	Valve, Water, Solenoid, 24vdc Qf08/Qf08	1	
2	1212809	(10865727- 20000000)	Fitting, Plstc, E90, Qf08/Qm08	3	
2	1212809	(10000000- 10865726)	Fitting, Plstc, E90, Qf08/Qm08	4	
3	1205799	(10000000- 20000000)	Screw, Btn, M5 X 0.8 X 16, 8.8, NI, Torx	2	
4	1212859	(10000000- 20000000)	Fitting, Plstc, Str, Qf08/Qf08	1	
5	9014145	(10000000- 20000000)	Hose, Afmkt, Pe, .375id .50od, 05ft	1	
6	1227552	(10000000- 20000000)	Fitting, Plstc, Str, Qm08/Pm06	1	
7	1212813	(10000000- 20000000)	Fitting, Plstc, Str, Qf08/Pm06	1	
▽	8	1211537	(10000000- 20000000)	Filter, In- Line, Pf06/Pf06 080m 2.6l Epd	1
▲		1218885	(10000000- 20000000)	Gasket [Epdm, F/1211537]	1
▲		1218883	(10000000- 20000000)	Screen, Fltr, 80 Mesh, Ss [W/ Cage]	1
▲		613991	(10000000- 20000000)	Bowl, Clr, Short, F/1005302	1
9	1212987	(10000000- 20000000)	Fitting, Plstc, E90, Qf08/Pm06, Swivel	1	
10	130773	(10000000- 20000000)	Tie, Cable, Nyl, 11.0l, .14w, 3.0 Max. D	2	
11	1221945	(10865727- 20000000)	Fitting, Plstc, E90, Qf08/Qf08	1	
12	1210807	(10865727- 20000000)	Wire, Tie [W/.25" Fir Tree Clip]	1	
13	130773	(10000000- 20000000)	Tie, Cable, Nyl, 11.0l, .14w, 3.0 Max. D	1	

▽ ASSEMBLY

▲ INCLUDED IN ASSEMBLY

STANDARD BATTERY CABLES GROUP

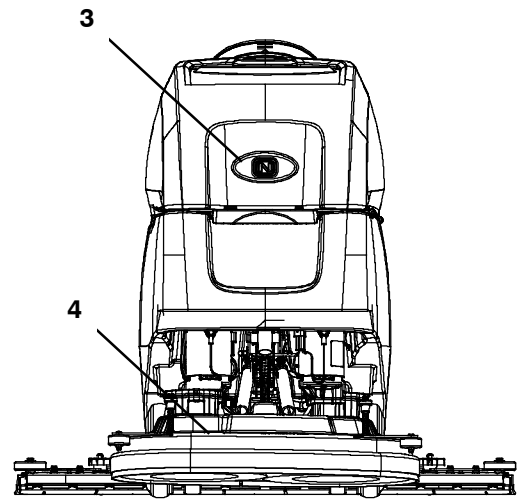
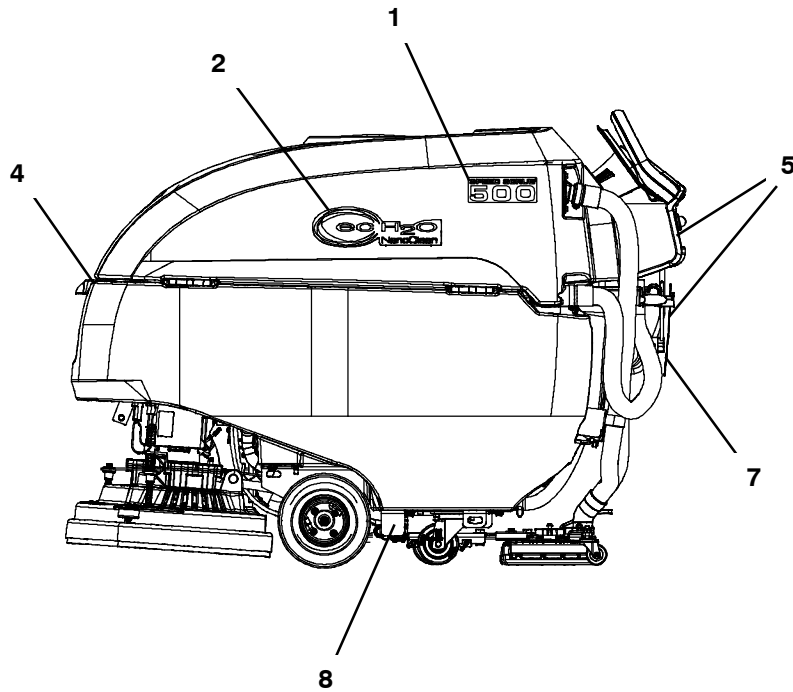
355463



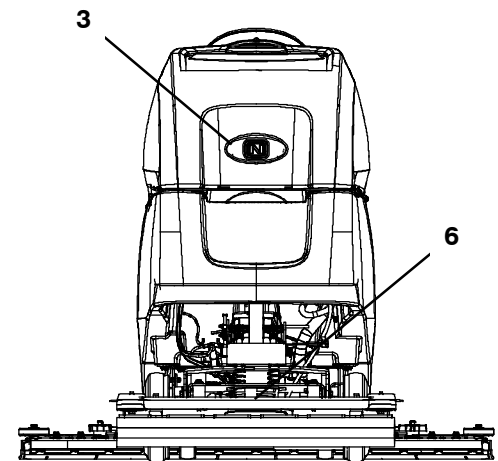
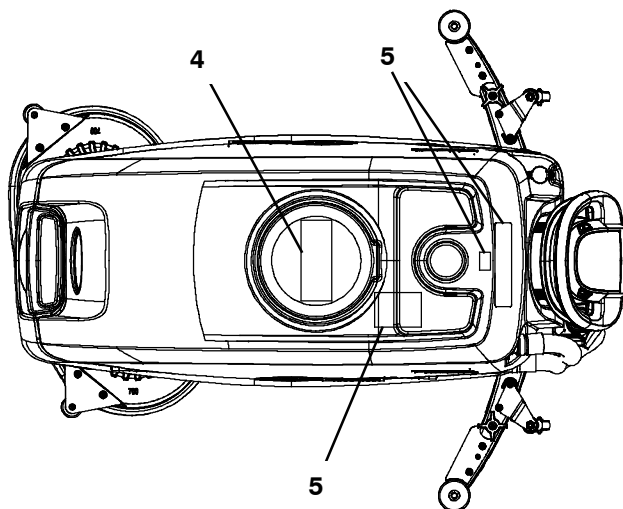
Ref.	Part No.	Serial Number	Description	Qty.
1	1074942	(10000000-20000000)	Cable, Assy [T500,T500e]	1
2	611221	(10000000-20000000)	Boot, Terminal, Battery, 25.4mm, Blk	8
3	1073680	(10000000-20000000)	Cable, 04ga 15.0l Blk [M8 Ring/M8 Ring]	3

LABEL GROUP

355472



DISK & CYLINDRICAL HEAD



ORBITAL HEAD

Ref.	Part No.	Serial Number	Description	Qty.
1	1224985	(10000000- 20000000)	Label, Speed Scrub 500	2
2	1216533	(10000000- 20000000)	Label, Logo [Ech2o Nano Nobles]	2
3	1206159	(10000000- 20000000)	Label, Logo, 05.5l [Nobles]	1
4	1220962	(10000000- 20000000)	Label Sheet, Info/Hzrd [T500, Na]	1
5	1220965	(10000000- 20000000)	Label Sheet, Operational [T500]	1
6	1224995	(10000000- 20000000)	Label, Orbital, Size, 70cm	1
7	1225763	(10000000- 20000000)	Label, Decal, Charger, Off- Board	1
8	1231798	(10865727- 20000000)	Label, Info, Filter	1

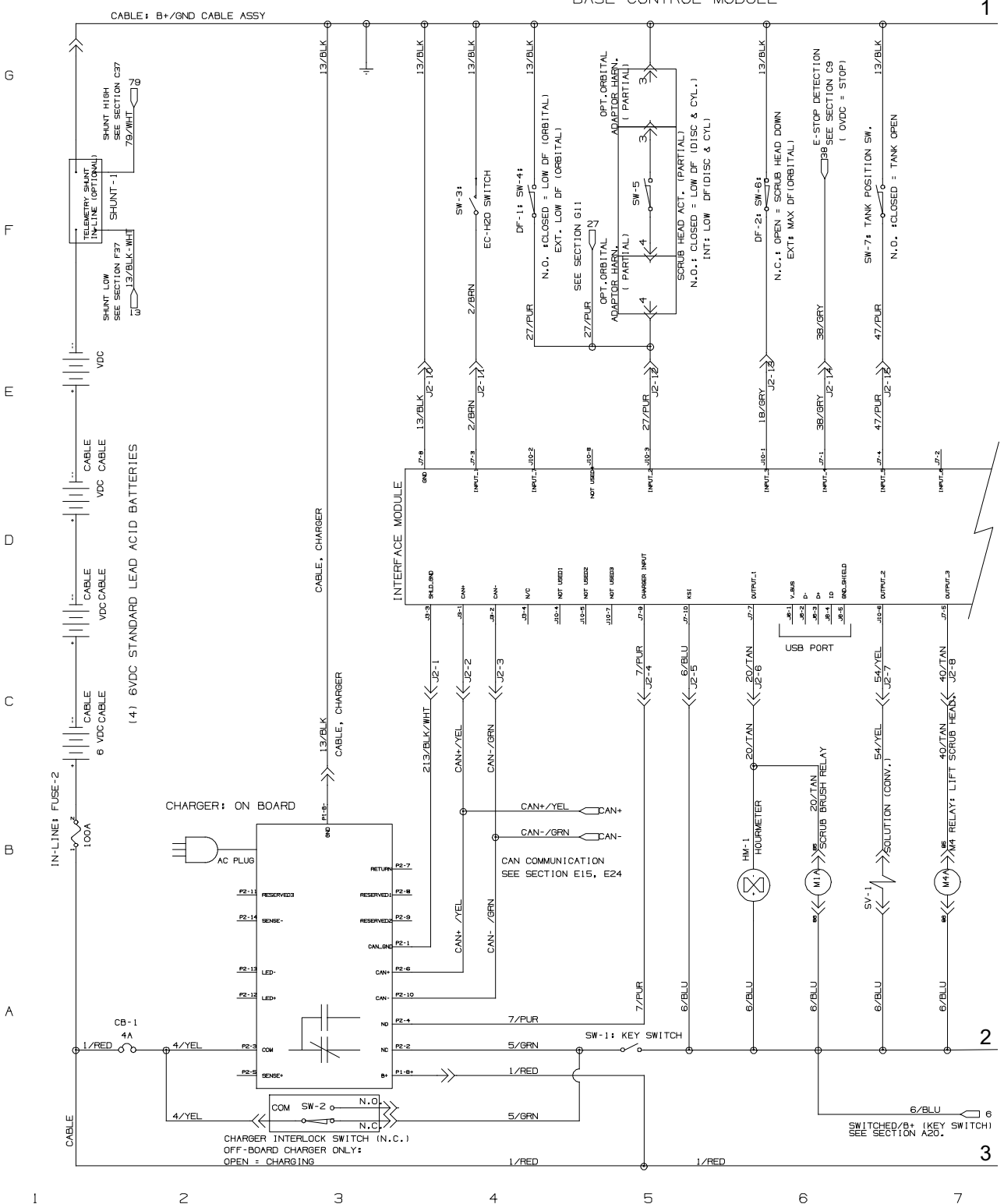
ELECTRICAL DIAGRAM (PAGE 1 OF 8)
(S/N 10995399 -)

1075167_02

T500e WITH STANDARD LEAD ACID BATTERIES

BATTERY / CHARGER SYSTEMS

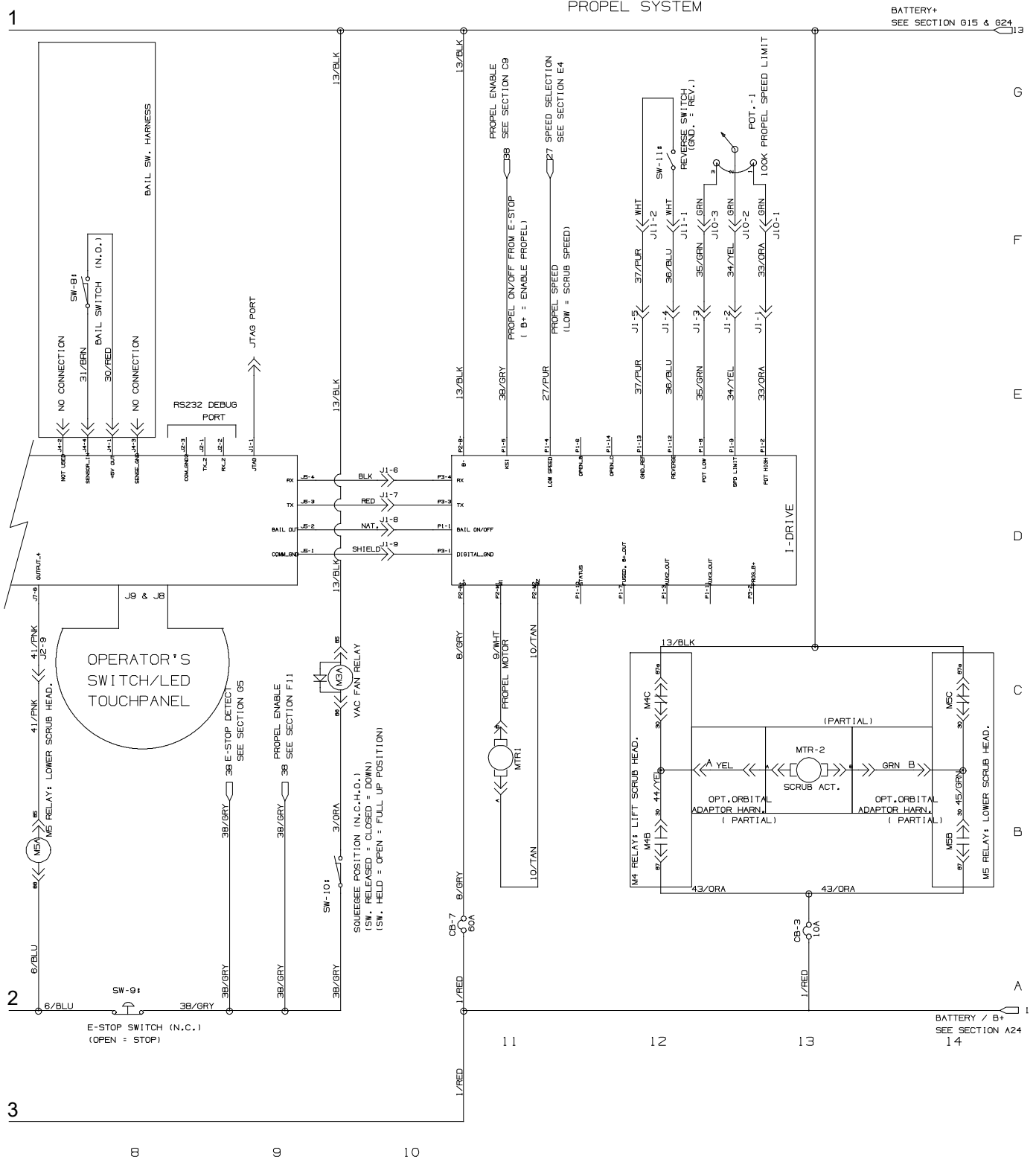
BASE CONTROL MODULE



ELECTRICAL DIAGRAM (PAGE 2 OF 8)
(S/N 10995399 -)

1075167_02

T500e WITH STANDARD LEAD ACID BATTERIES



ELECTRICAL DIAGRAM (PAGE 3 OF 8)
(S/N 10995399 -)

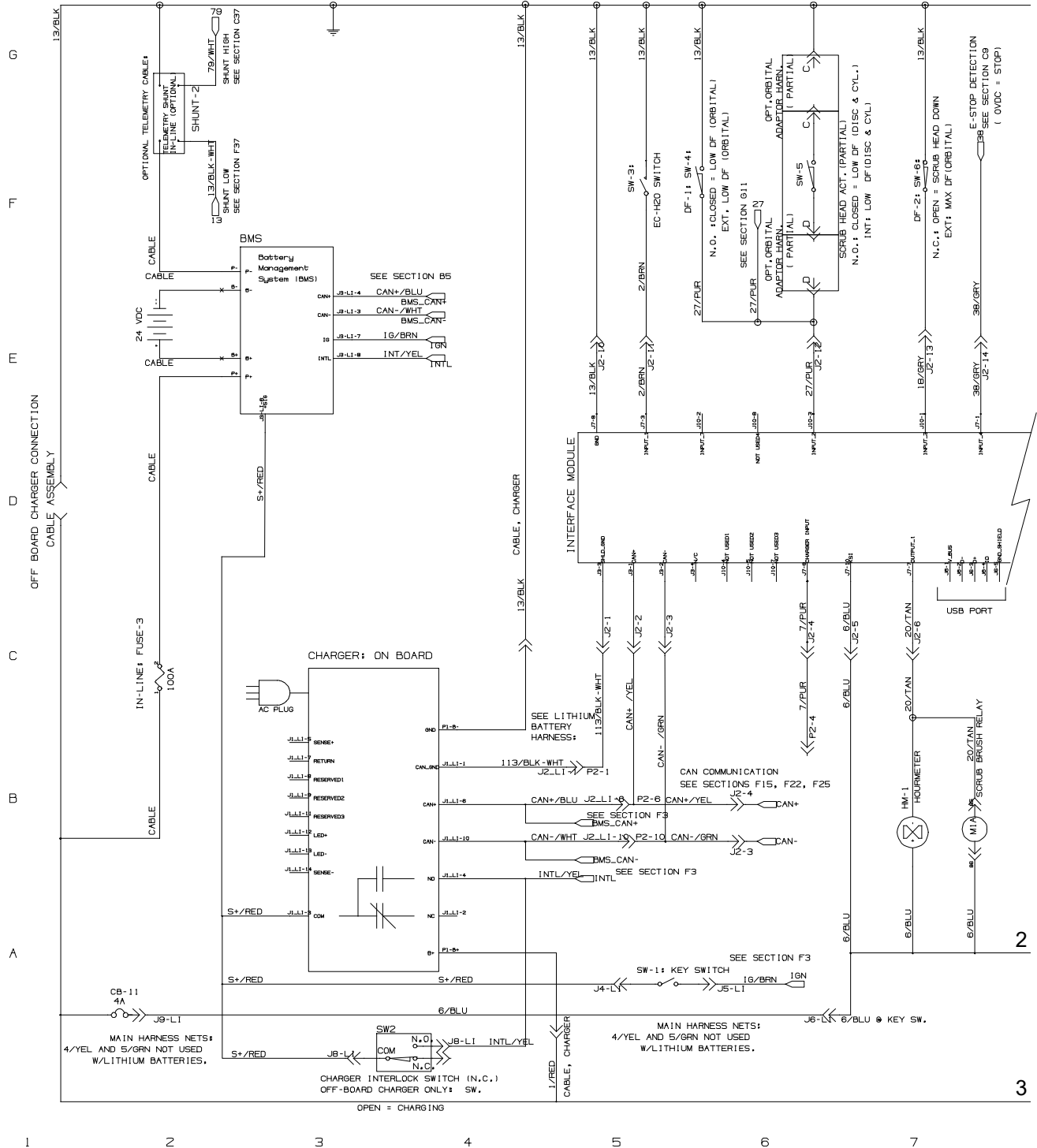
1075167_02

T500e WITH LITHIUM ION BATTERIES

LITHIUM BATTERY CHARGER SYSTEMS

BASE CONTROL MODULE

1



2

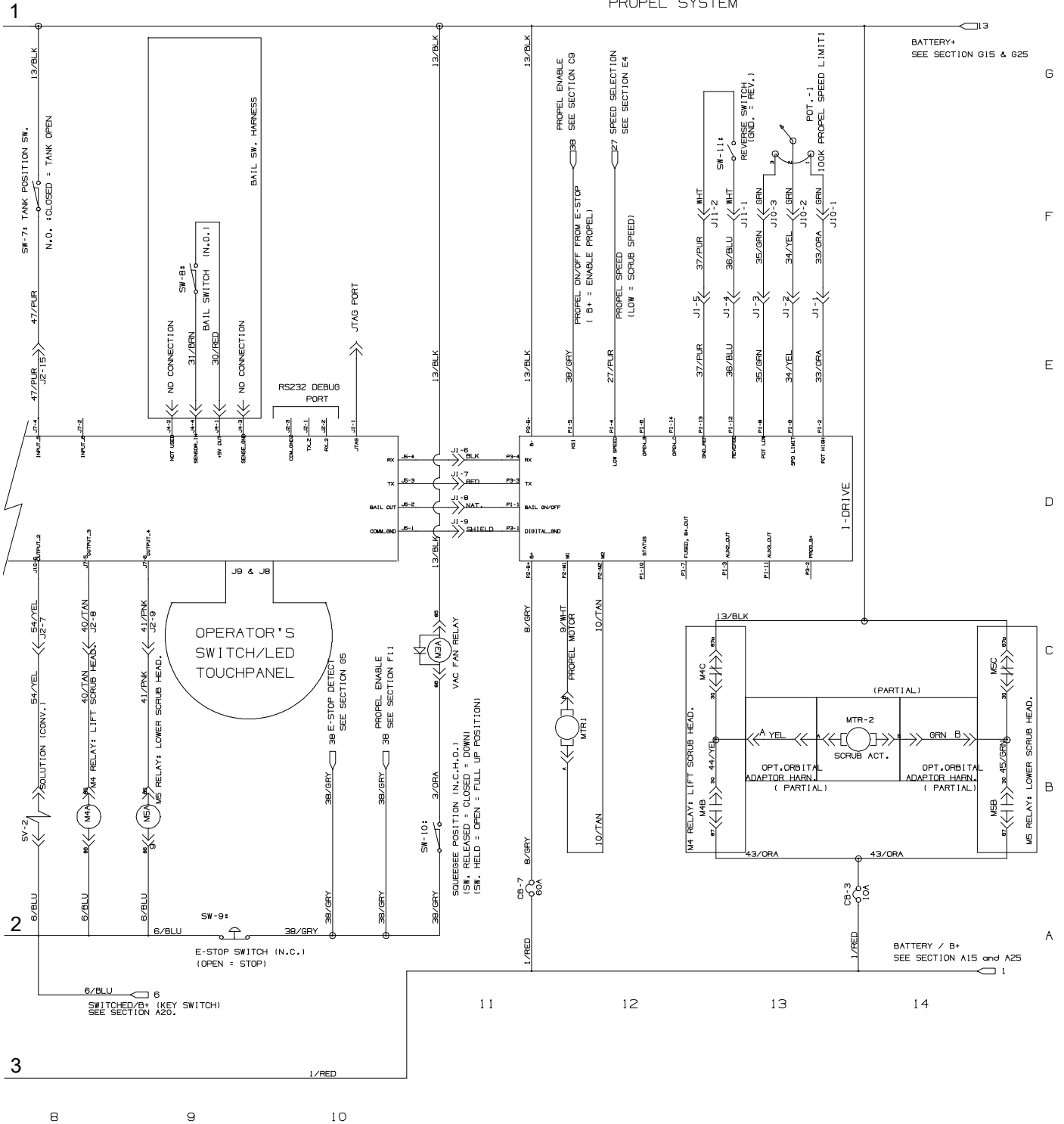
3

ELECTRICAL DIAGRAM (PAGE 4 OF 8)
(S/N 10995399 -)

1075014_02

T500e WITH LITHIUM ION BATTERIES

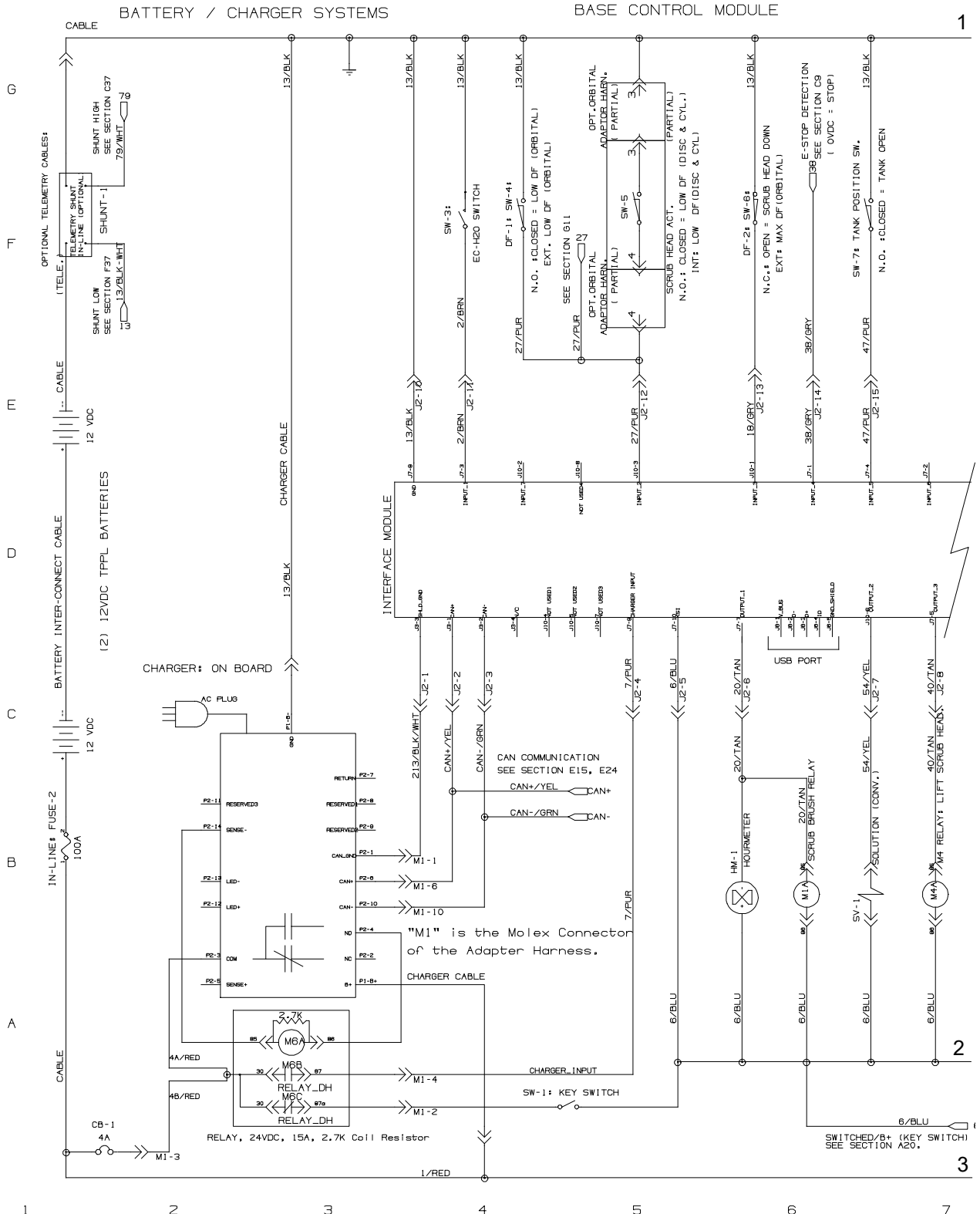
PROPEL SYSTEM



ELECTRICAL DIAGRAM (PAGE 5 OF 8)
(S/N 10995399 -)

1075167_02

T500e WITH TPPL BATTERIES



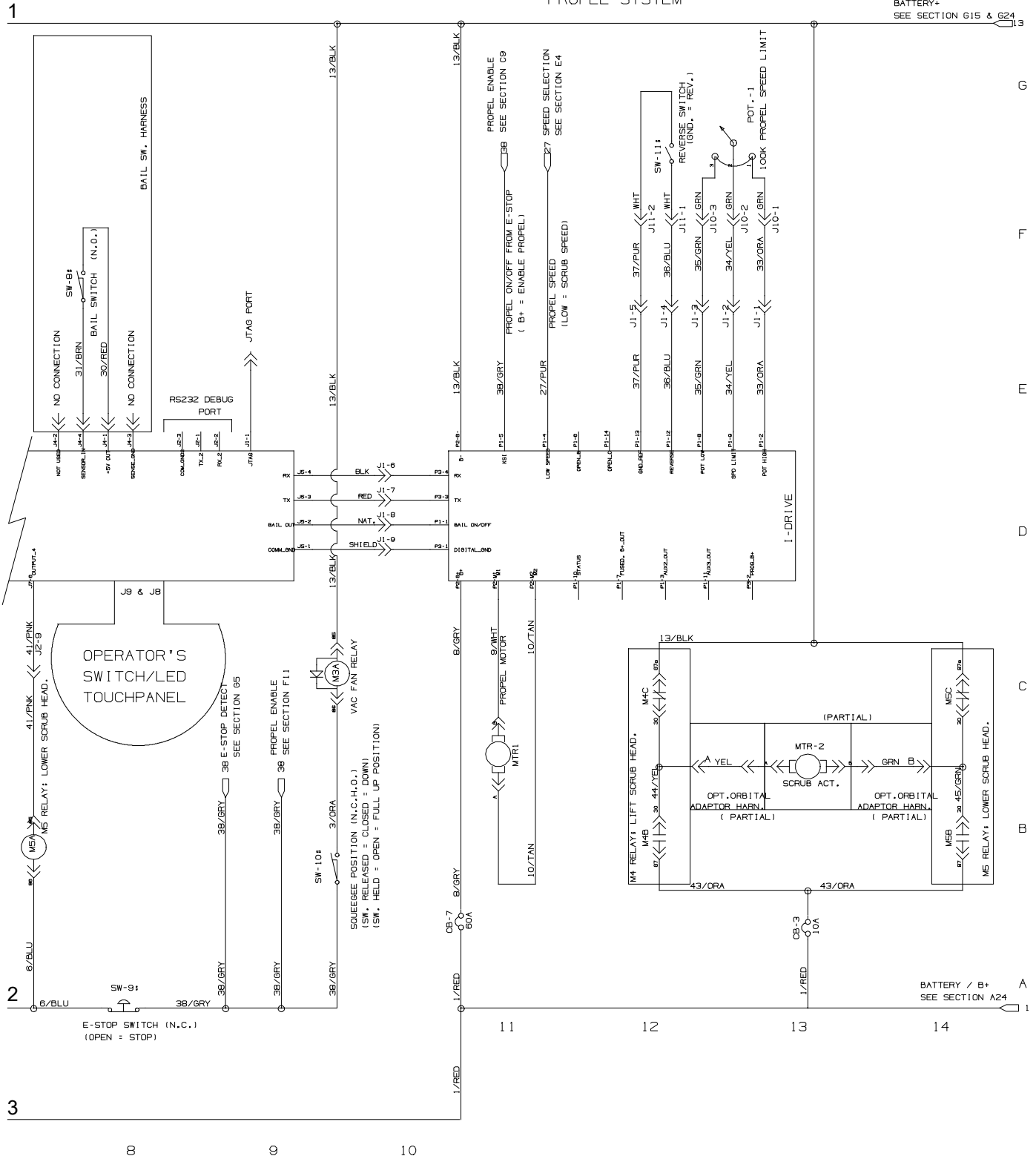
ELECTRICAL DIAGRAM (PAGE 6 OF 8)
(S/N 10995399 -)

1075167_02

T500e WITH TPPL BATTERIES

PROPEL SYSTEM

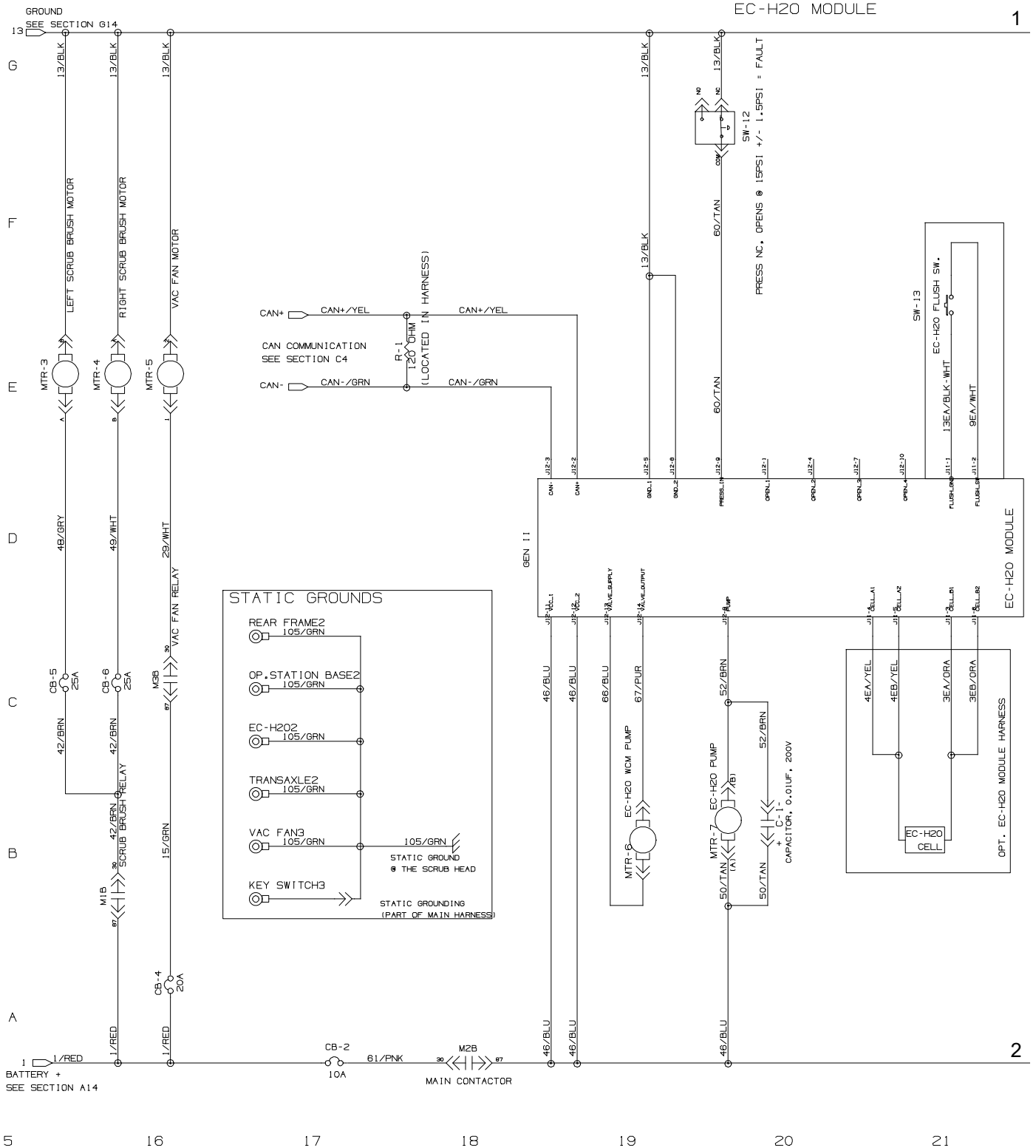
BATTERY+
SEE SECTION G15 & G24



ELECTRICAL DIAGRAM (PAGE 7 OF 8)
(S/N 10995399 -)

1075167_02

T500e, COMMON

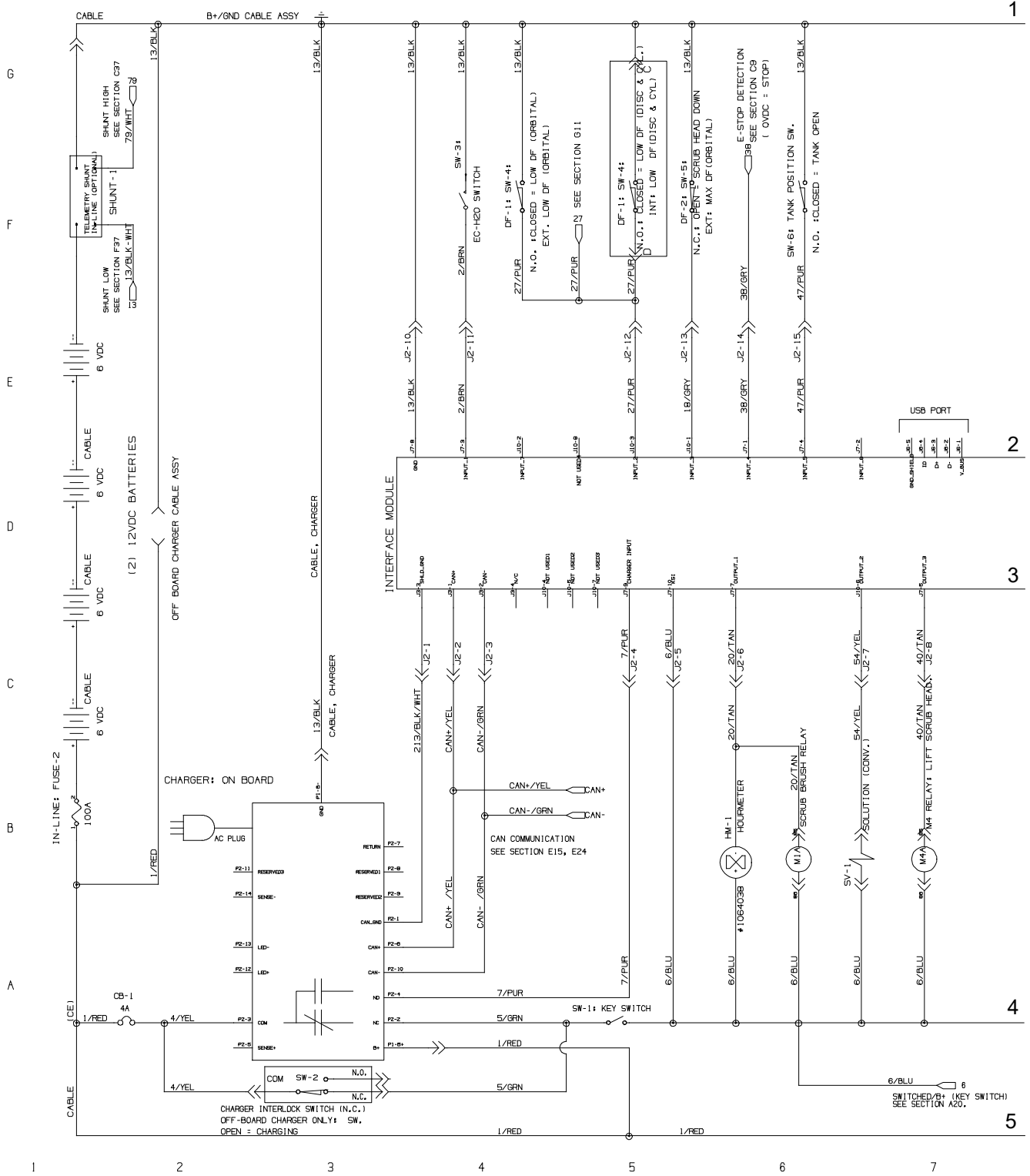


ELECTRICAL DIAGRAM (PAGE 1 OF 4)
(S/N 1000000 - 10995388)

1075167_00

BATTERY /
CHARGER
SYSTEMS

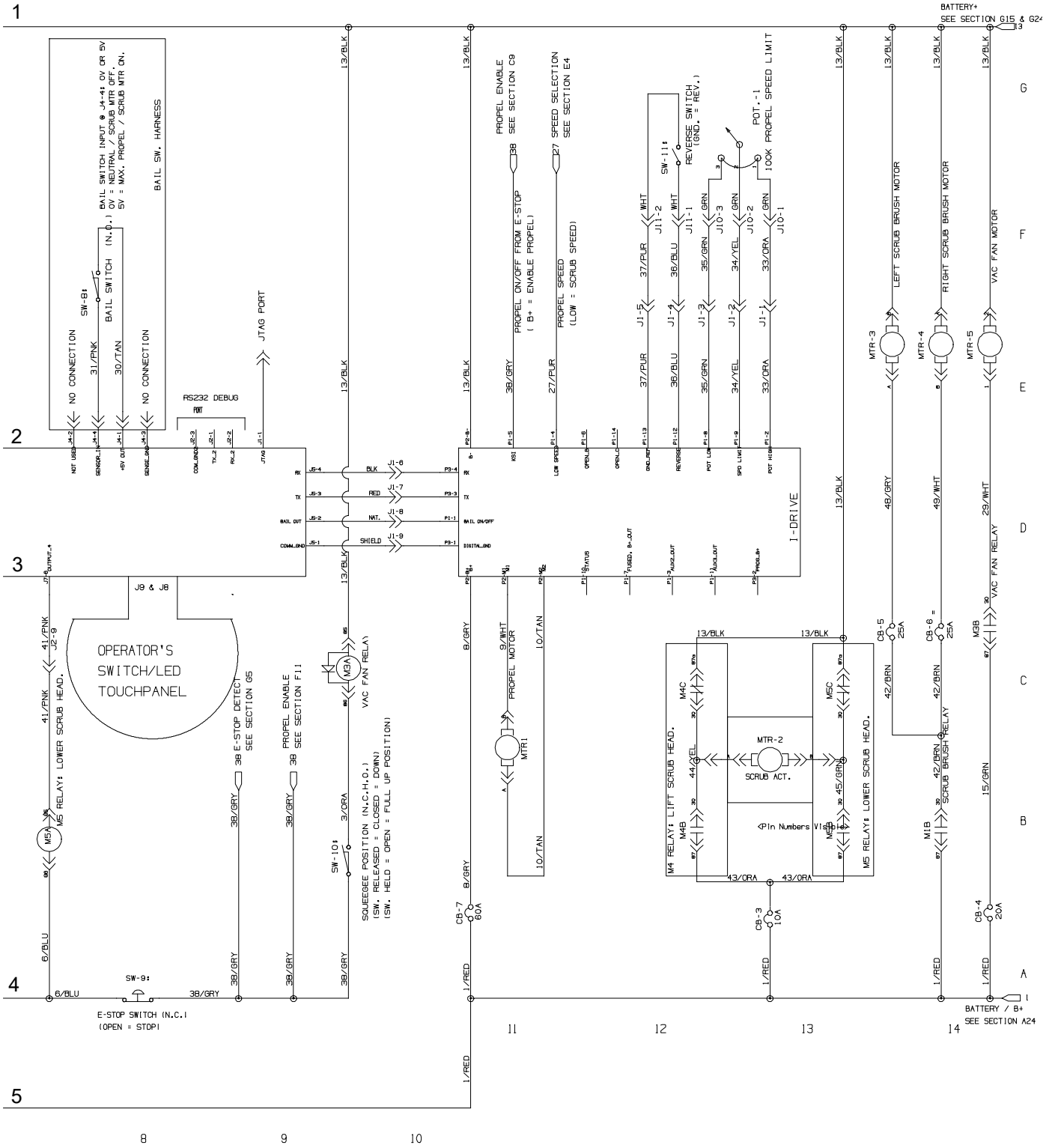
BASE CONTROL
MODULE



ELECTRICAL DIAGRAM (PAGE 2 OF 4)
(S/N 1000000 - 10995388)

1075167_00

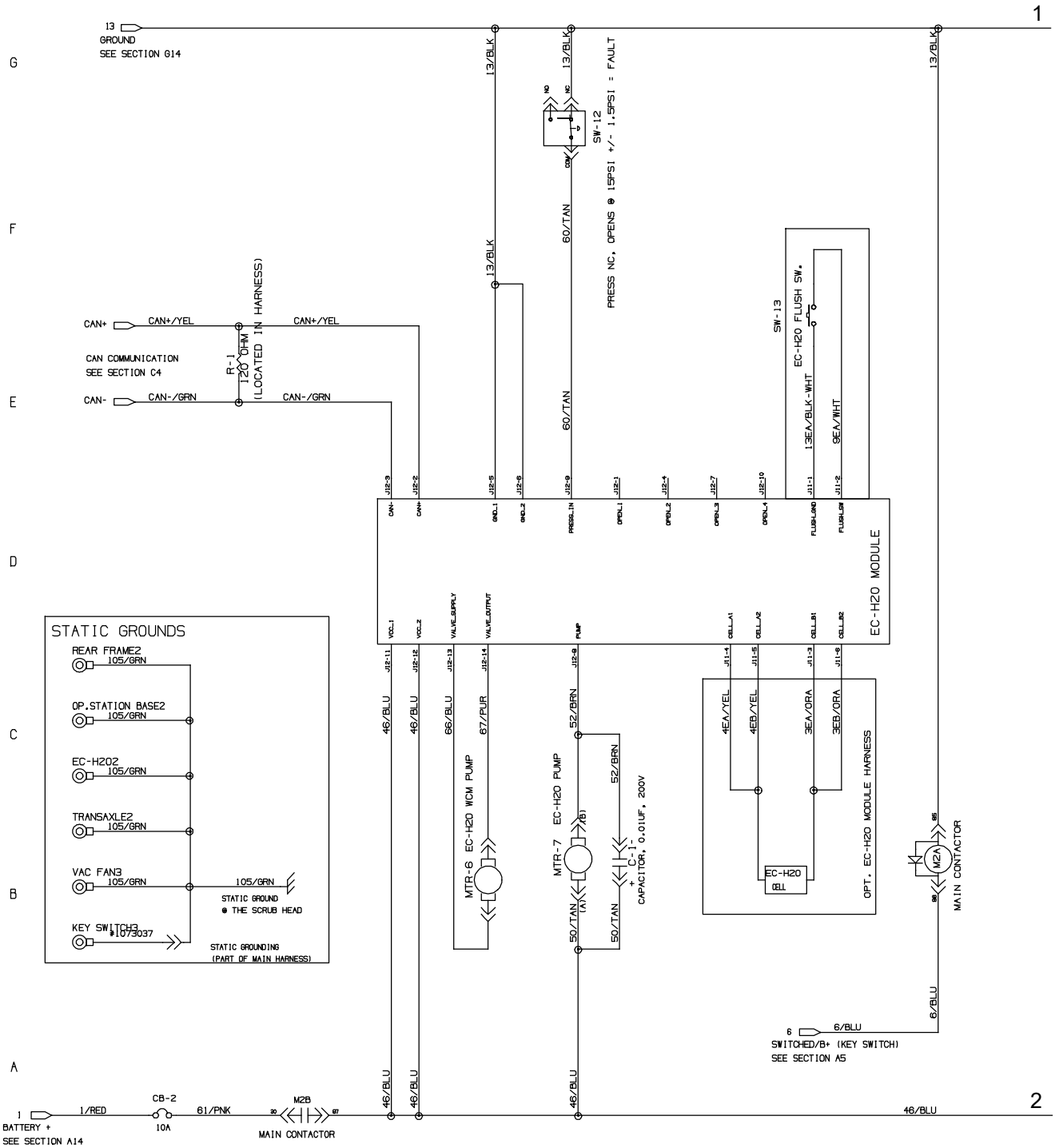
PROPEL SYSTEM



ELECTRICAL DIAGRAM (PAGE 3 OF 4)
(S/N 1000000 - 10995388)

1075167_00

EC-H2O MODULE



15

16

17

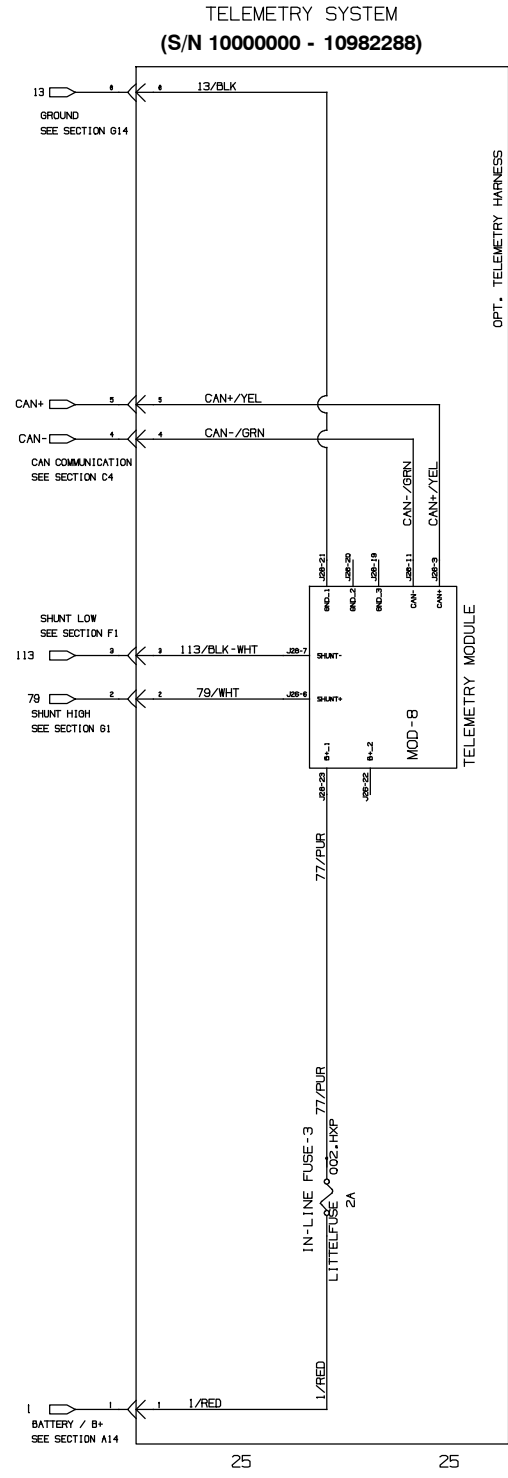
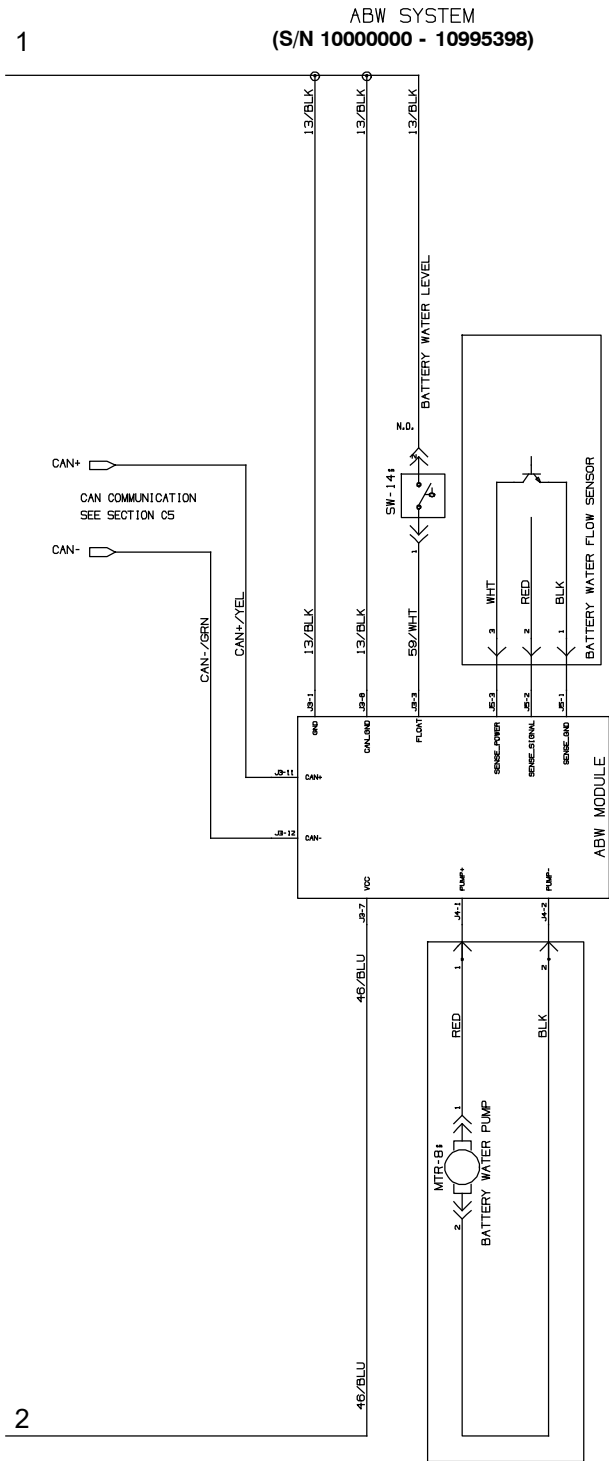
18

19

20

ELECTRICAL DIAGRAM (PAGE 4 OF 4)
(S/N 1000000 - 10995388)

1075167_00



21

22

23

24

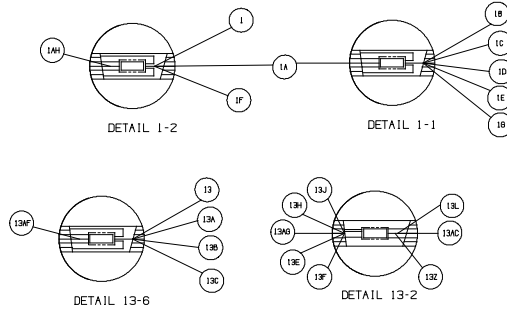
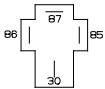
27

ELECTRICAL HARNESS, MAIN (PAGE 1 OF 6)
(S/N 10995399 -)

1076839_00

TO: M2: MAIN RELAY		TO: M3: VAC FAN RELAY	
WIRE NO.	REF. RELAY	WIRE NO.	REF. RELAY
61/PNK	30	29/WHT	30
13H/BLK	85	13J/BLK	85
45/BLU	B7	15/GRN	87
6H/BLU	86	3/ORA	86

BACK VIEW OF "AP".
WHERE WIRES ENTER.



WIRE NO.	REF. RELAY
44/YEL	30
40/TAN	85
13E/BLK	B7A
43A/ORA	B7
6E/BLU	B6

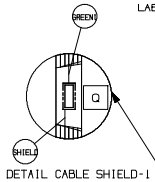
WIRE NO.	REF. RELAY
45/GRN	30
41/PNK	85
13F/BLK	B7A
43B/ORA	B7
8F/BLU	B6

TO: M4: SCRUB HEAD ACT. LABEL(1): M4: SCRUB HEAD ACT.

TO: M5: SCRUB HEAD ACT. LABEL(1): M5: SCRUB HEAD ACT.

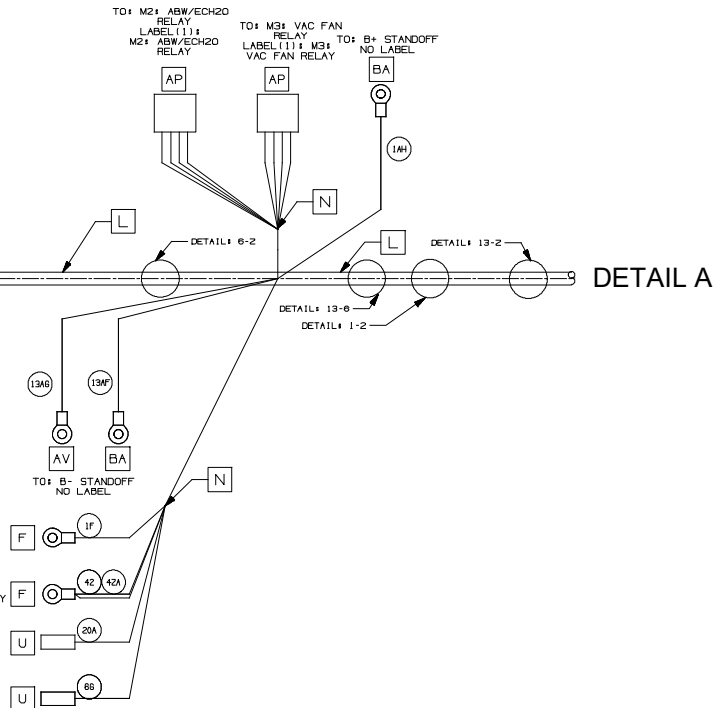
CONNECT THESE TWO RELAY CONNECTOR BODIES TOGETHER.

BACK VIEW OF "E".
WHERE WIRES ENTER.



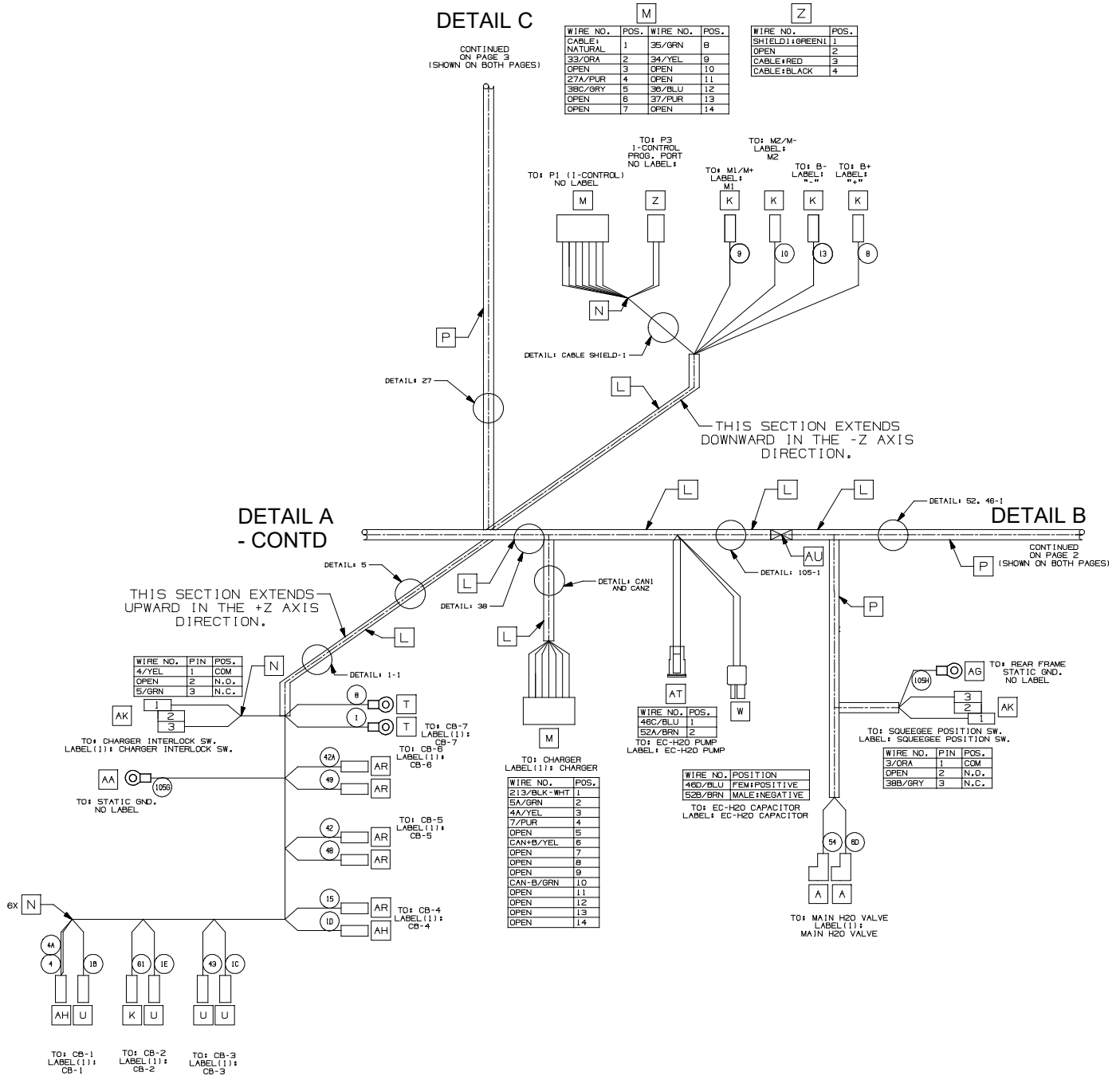
- NOTE:
- REMOVE CABLE COVERING ABOVE THIS POINT.
 - SPLICE SHIELD TO THE SHIELD/GREEN WIRE.
 - ROUTE THE (4) WIRES UP TO THE SPECIFIED CONNECTORS.
 - COVER THE EXPOSED END OF THE CABLE COVER WITH DEFINED HEATSHRINK.

TO: M1: SCRUB RELAY LABEL(1): M1: SCRUB RELAY



ELECTRICAL HARNESS, MAIN (PAGE 2 OF 6)
(S/N 10995399 -)

1076839_00



ELECTRICAL HARNESS, MAIN (PAGE 3 OF 6)
(S/N 10995399 -)

1076839_00

TO: LEFT SCRUB MOTOR#2
LABEL(1): LEFT SCRUB
MOTOR#2
ALL SCRUB HEADS

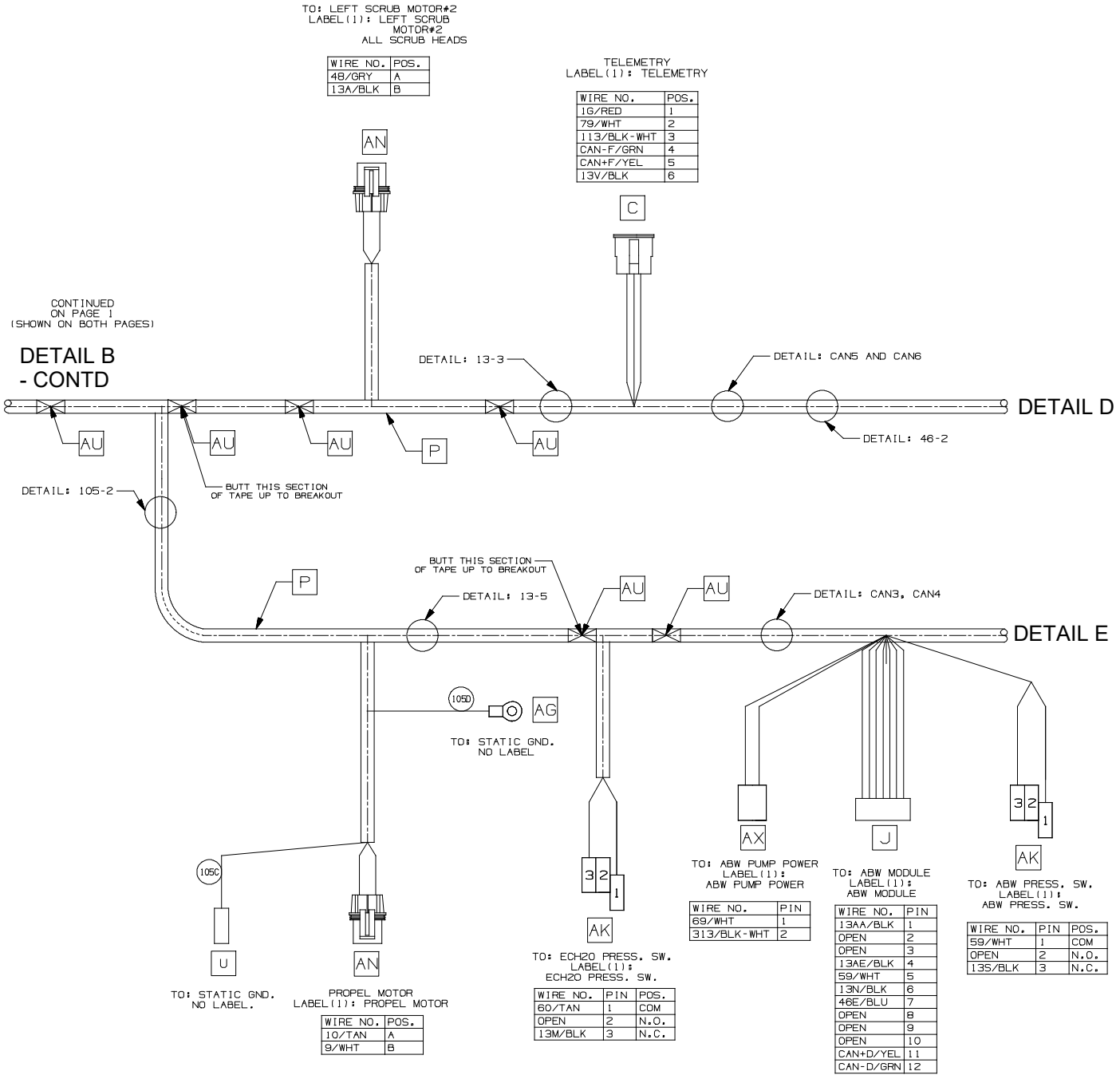
WIRE NO.	POS.
48/GRY	A
13A/BLK	B

TELEMETRY
LABEL(1): TELEMETRY

WIRE NO.	POS.
1G/RED	1
79/WHT	2
113/BLK-WHT	3
CAN-F/GRN	4
CAN+F/YEL	5
13V/BLK	6

CONTINUED
ON PAGE 1
(SHOWN ON BOTH PAGES)

DETAIL B
- CONTD



DETAIL: 13-3

DETAIL: CANS AND CANS

DETAIL D

DETAIL: 105-2

BUTT THIS SECTION
OF TAPE UP TO BREAKOUT

BUTT THIS SECTION
OF TAPE UP TO BREAKOUT

DETAIL: 13-5

DETAIL: CAN3, CAN4

DETAIL E

TO: STATIC GND.
NO LABEL

TO: ABW PUMP POWER
LABEL(1):
ABW PUMP POWER

WIRE NO.	PIN
69/WHT	1
313/BLK-WHT	2

TO: ABW MODULE
LABEL(1):
ABW MODULE

WIRE NO.	PIN
13AA/BLK	1
OPEN	2
OPEN	3
13AE/BLK	4
59/WHT	5
13N/BLK	6
46E/BLU	7
OPEN	8
OPEN	9
OPEN	10
CAN+D/YEL	11
CAN-D/GRN	12

TO: ABW PRESS. SW.
LABEL(1):
ABW PRESS. SW.

WIRE NO.	PIN	POS.
59/WHT	1	COM
OPEN	2	N.O.
13S/BLK	3	N.C.

TO: ECH20 PRESS. SW.
LABEL(1):
ECH20 PRESS. SW.

WIRE NO.	PIN	POS.
60/TAN	1	COM
OPEN	2	N.O.
13M/BLK	3	N.C.

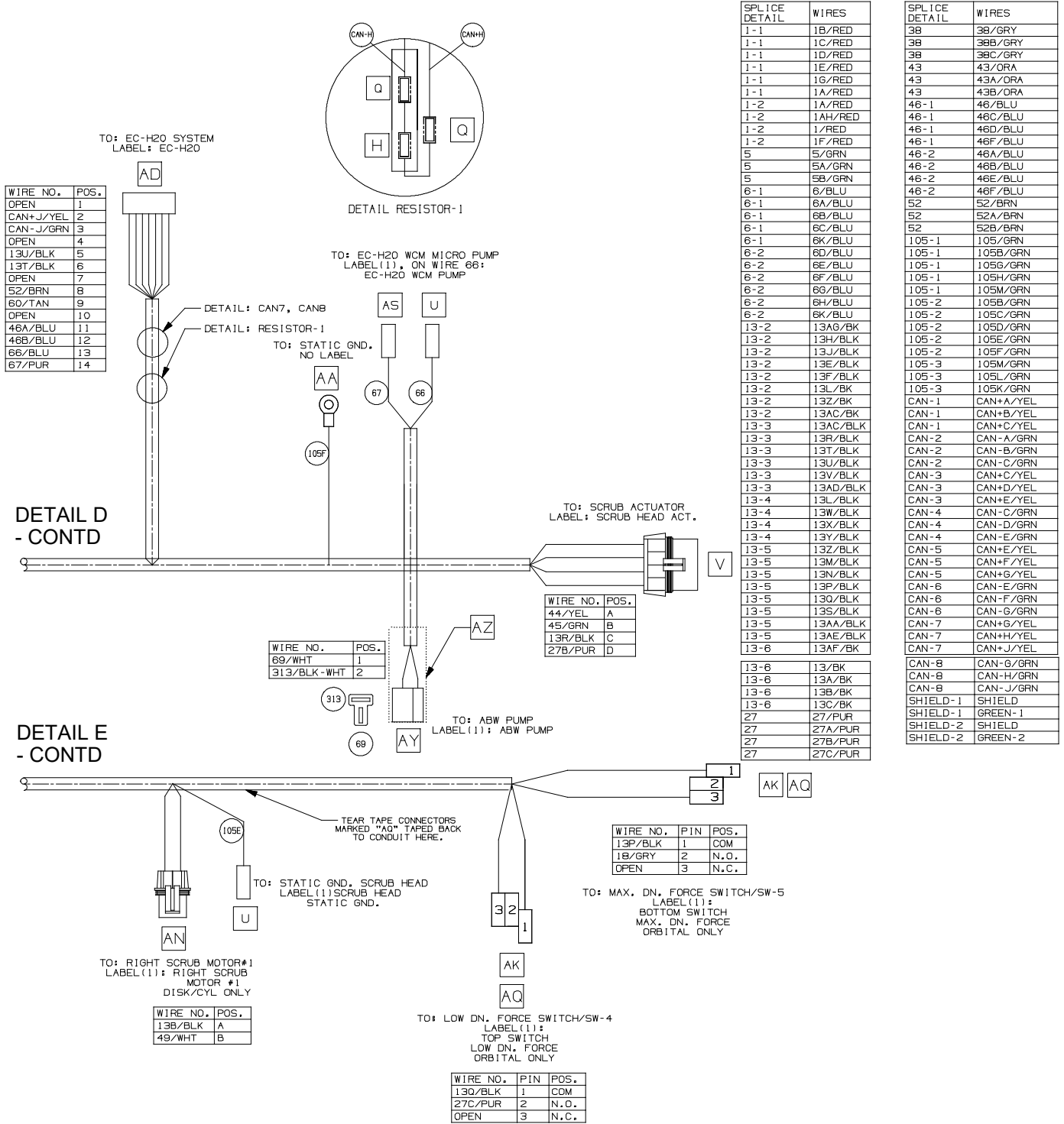
TO: STATIC GND.
NO LABEL.

PROPEL MOTOR
LABEL(1): PROPEL MOTOR

WIRE NO.	POS.
10/TAN	A
9/WHT	B

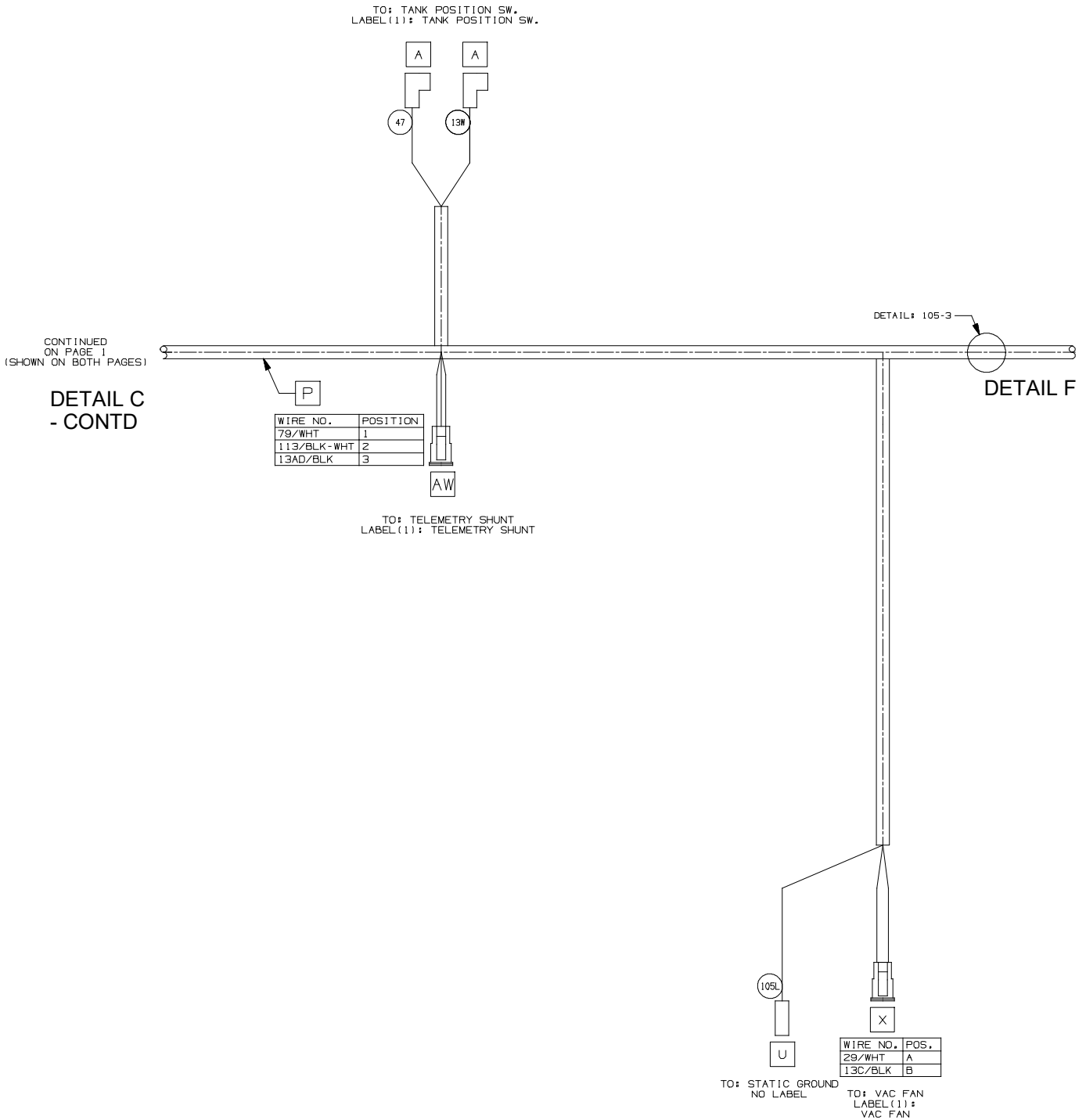
ELECTRICAL HARNESS, MAIN (PAGE 4 OF 6)
(S/N 10995399 -)

1076839_00



ELECTRICAL HARNESS, MAIN (PAGE 5 OF 6)
(S/N 10995399 -)

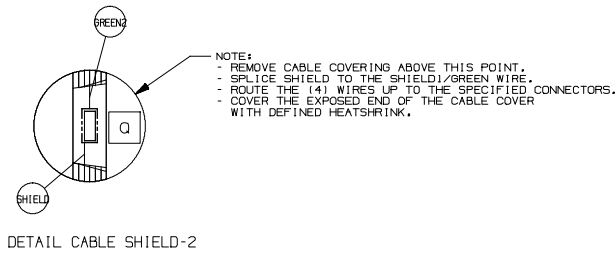
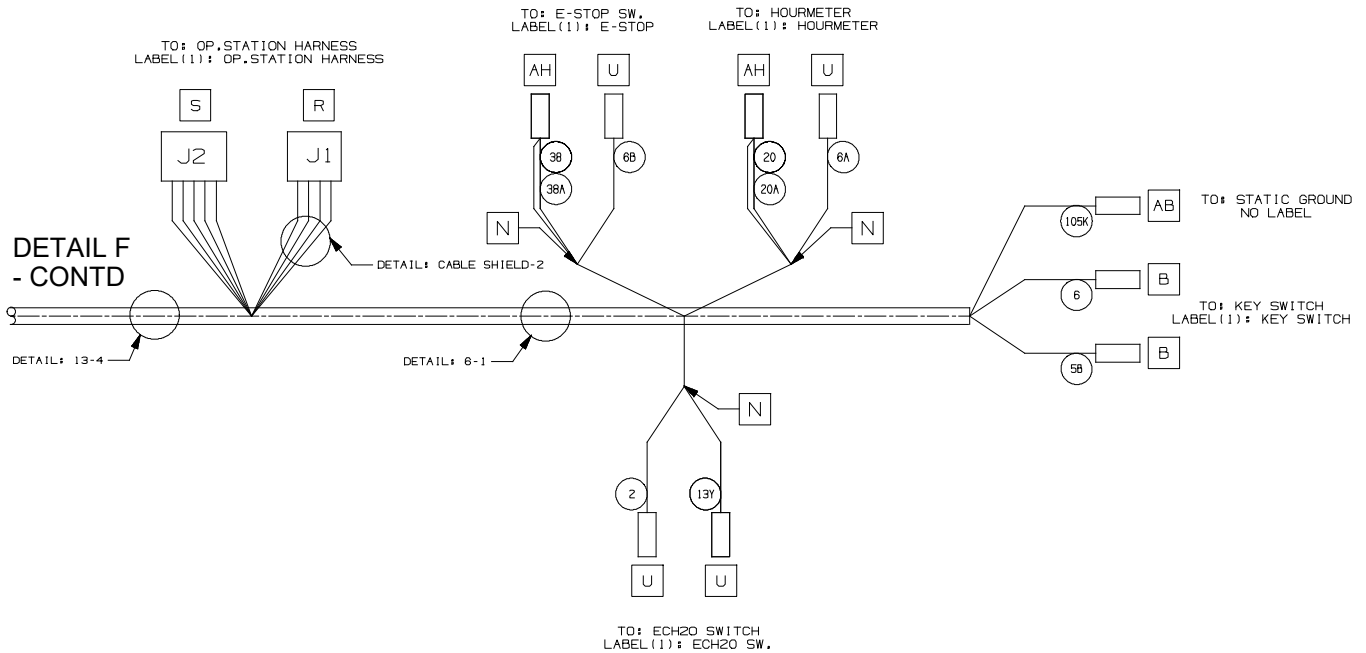
1076839_00



ELECTRICAL HARNESS, MAIN (PAGE 6 OF 6)
(S/N 10995399 -)

1076839_00

S J2		R J1	
WIRE NO.	POS.	WIRE NO.	POS.
213/BLK-WHT	1	33/ORA	1
CAN+A/YEL	2	34/YEL	2
CAN-A/GRN	3	35/GRN	3
7/PUR	4	36/BLU	4
6C/BLU	5	37/PUR	5
20/TAN	6	CABLE:BLACK	6
54/YEL	7	CABLE:RED	7
40/TAN	8	CABLE:NATURAL	8
41/PNK	9	SHIELD2:GREEN2	9
13X/BLK	10		
2/BRN	11		
27/PUR	12		
18/GRY	13		
38A/GRY	14		
47/PUR	15		



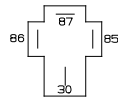
Part No.	Serial Number	Description	Qty.
1076839	(10995399- 2000000)	Harness, Main, Ele [T500e]	1
49309	(10000000- 20000000)	Relay, 24vdc, 015a, Spdt No	2

ELECTRICAL HARNESS, MAIN (PAGE 1 OF 6)
(S/N 10000000 - 10995398)

1075312_00

TO: M2: MAIN RELAY		TO: M3: VAC FAN RELAY	
WIRE NO.	REF. RELAY	WIRE NO.	REF. RELAY
61/PNK	30	29/WHT	30
13H/BLK	85	13J/BLK	85
46/BLU	87	15/GRN	87
6H/BLU	86	3/OFA	86

BACK VIEW OF "AP".
WHERE WIRES ENTER.



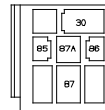
TO: STATIC GND. NO LABEL

WIRE NO.	REF. RELAY
44/YEL	30
40/TAN	85
13E/BLK	87A
43A/OFA	87
6E/BLU	86

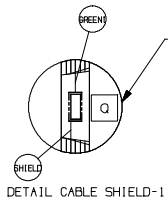
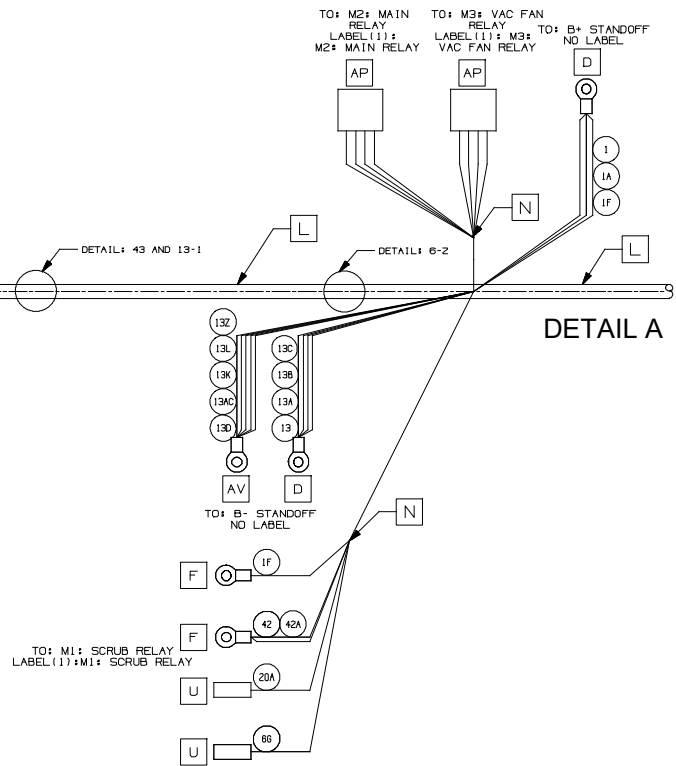
TO: M4: SCRUB HEAD ACT. LABEL(1): M4: SCRUB HEAD ACT.

WIRE NO.	REF. RELAY
45/GRN	30
41/PNK	85
13F/BLK	87A
43B/OFA	87
6F/BLU	86

TO: M5: SCRUB HEAD ACT. LABEL(1): M5: SCRUB HEAD ACT.



BACK VIEW OF "E".
WHERE WIRES ENTER.



- NOTE:
- REMOVE CABLE COVERING ABOVE THIS POINT.
 - SPLICE SHIELD TO THE SHIELD1/GREEN WIRE.
 - ROUTE THE (4) WIRES UP TO THE SPECIFIED CONNECTORS.
 - COVER THE EXPOSED END OF THE CABLE COVER WITH DEFINED HEATSHRINK.

ELECTRICAL HARNESS, MAIN (PAGE 2 OF 6)
(S/N 1000000 - 10995398)

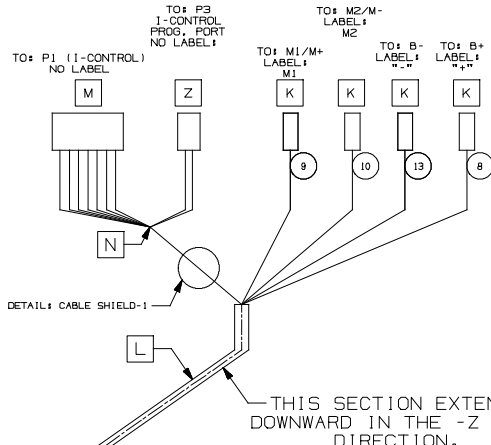
1075312_00

CONTINUED ON PAGE 3
(SHOWN ON BOTH PAGES)

DETAIL C

WIRE NO.	POS.	WIRE NO.	POS.
CABLE: NATURAL	1	35/GRN	8
33/ORA	2	34/YEL	9
OPEN	3	OPEN	10
27A/PUR	4	OPEN	11
38C/GRY	5	36/BLU	12
OPEN	6	37/PUR	13
OPEN	7	OPEN	14

WIRE NO.	POS.
SHIELD1+GREEN1	1
OPEN	2
CABLE:RED	3
CABLE:BLACK	4



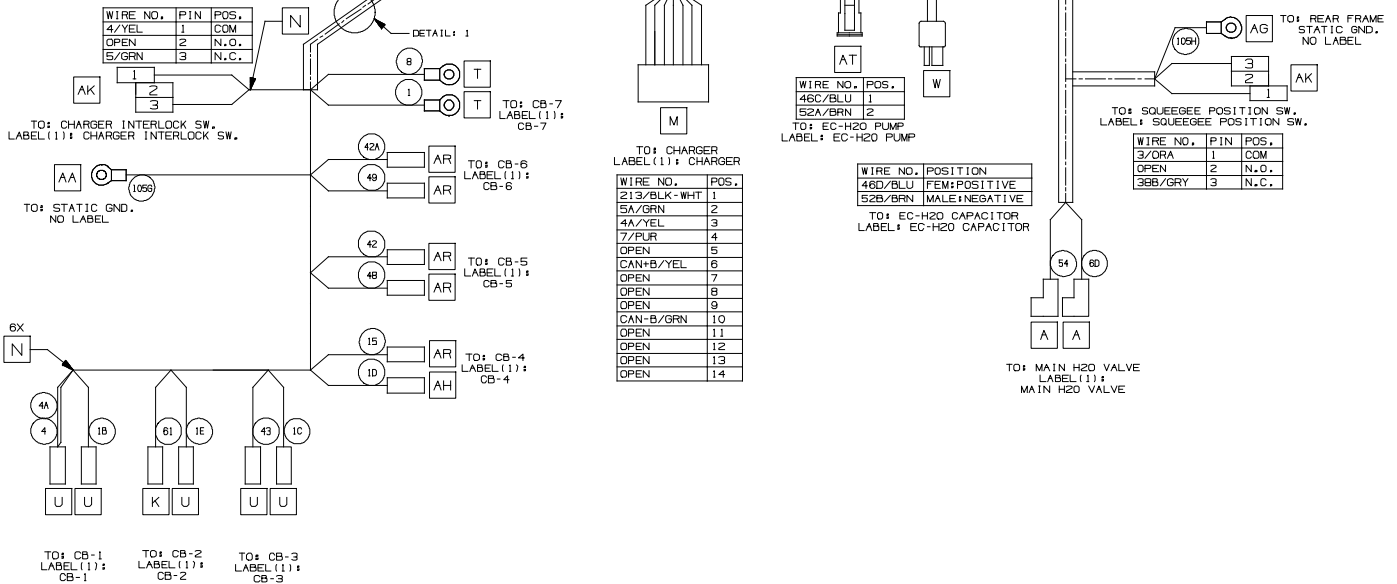
DETAIL A - CONTD

DETAIL B

THIS SECTION EXTENDS UPWARD IN THE +Z AXIS DIRECTION.

THIS SECTION EXTENDS DOWNWARD IN THE -Z AXIS DIRECTION.

CONTINUED ON PAGE 2
(SHOWN ON BOTH PAGES)



WIRE NO.	PIN	POS.
4/YEL	1	COM
OPEN	2	N.O.
5/GRN	3	N.C.

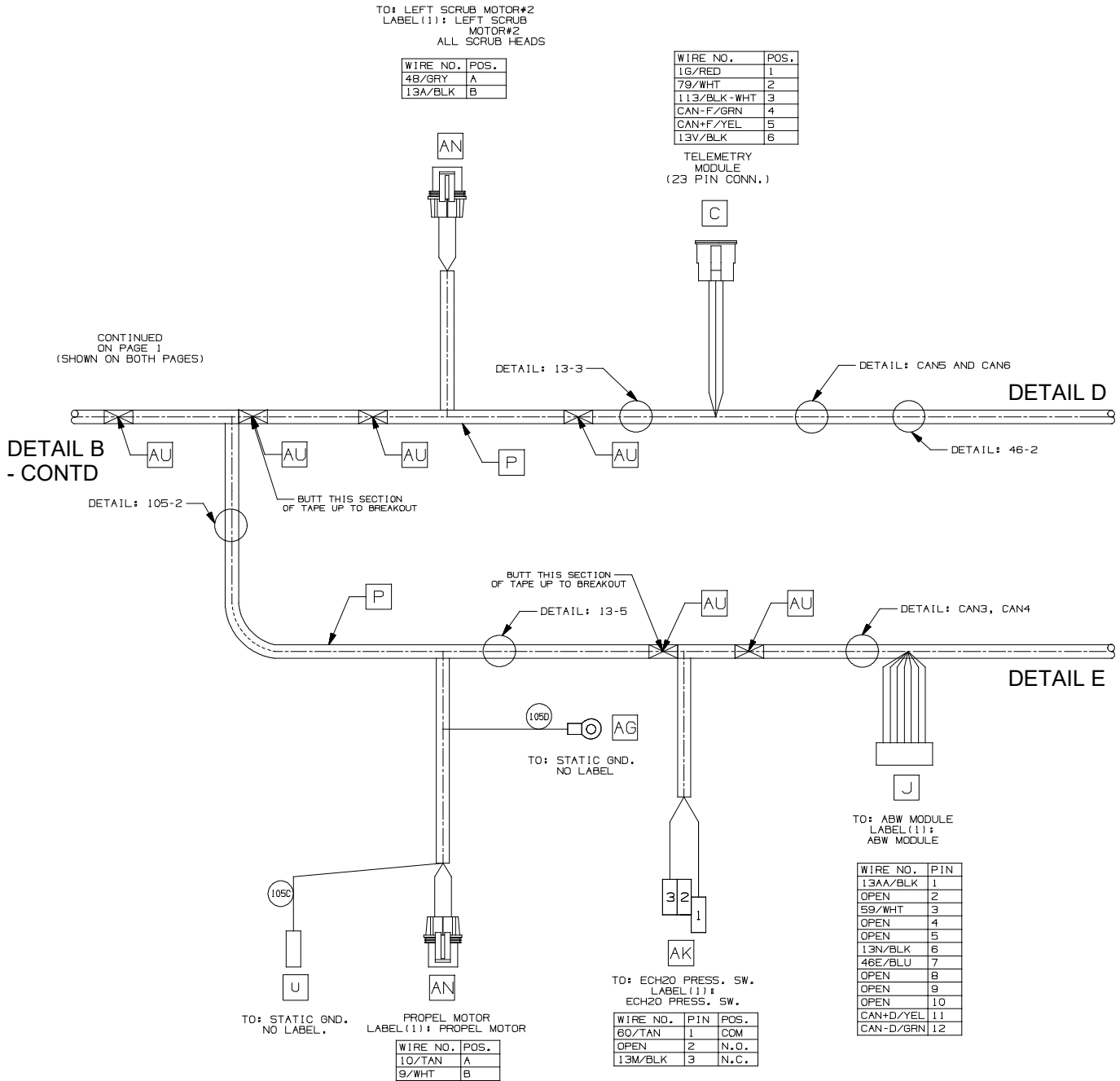
WIRE NO.	POS.
213/BLK-WHT	1
5A/GRN	2
4A/YEL	3
7/PUR	4
OPEN	5
CAN+B/YEL	6
OPEN	7
OPEN	8
OPEN	9
CAN-B/GRN	10
OPEN	11
OPEN	12
OPEN	13
OPEN	14

WIRE NO.	POSITION
48D/BLU	FEM: POSITIVE
52B/BRN	MALE: NEGATIVE

WIRE NO.	PIN	POS.
3/ORA	1	COM
OPEN	2	N.O.
38B/GRY	3	N.C.

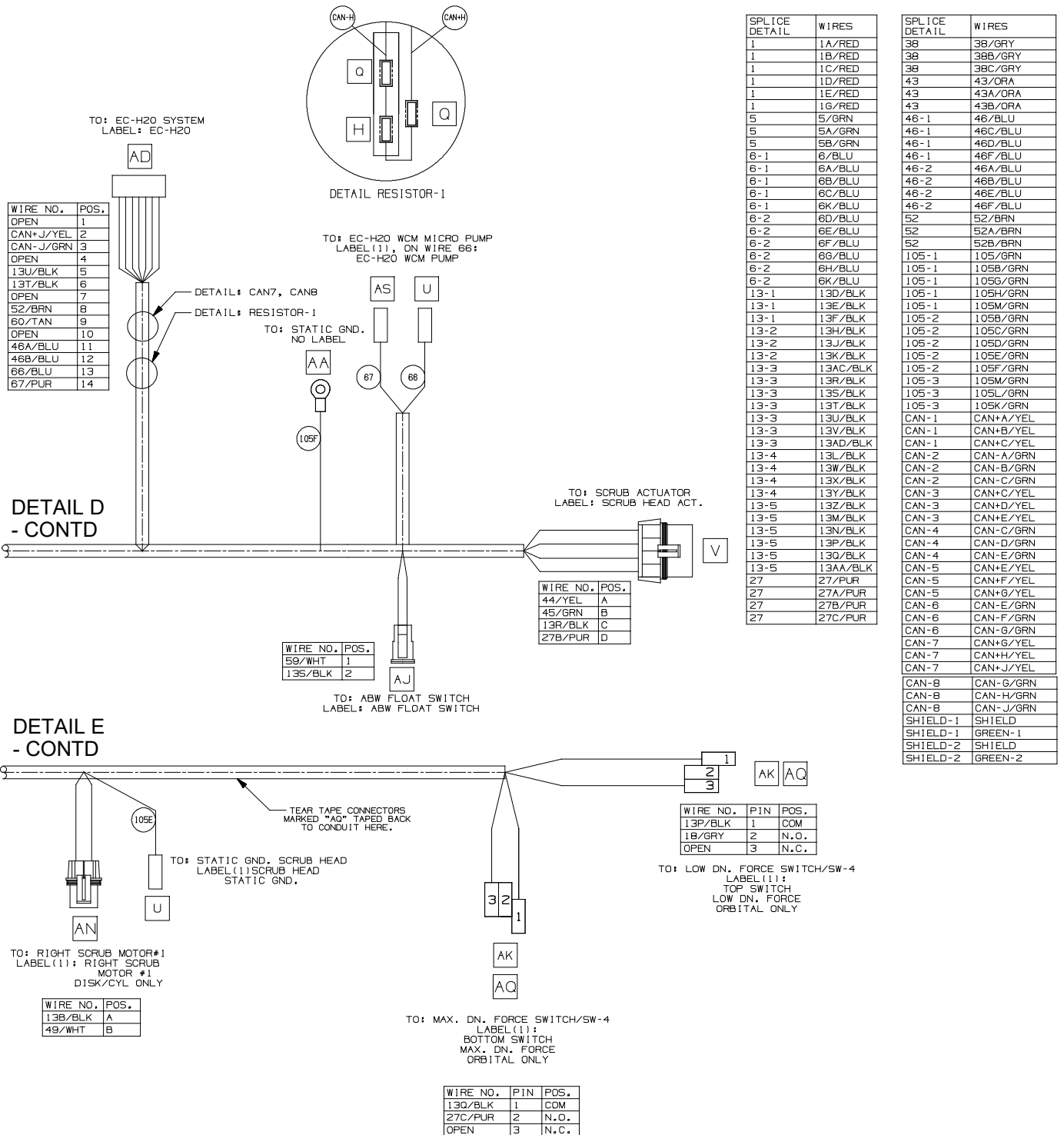
ELECTRICAL HARNESS, MAIN (PAGE 3 OF 6)
(S/N 10000000 - 10995398)

10745312_00



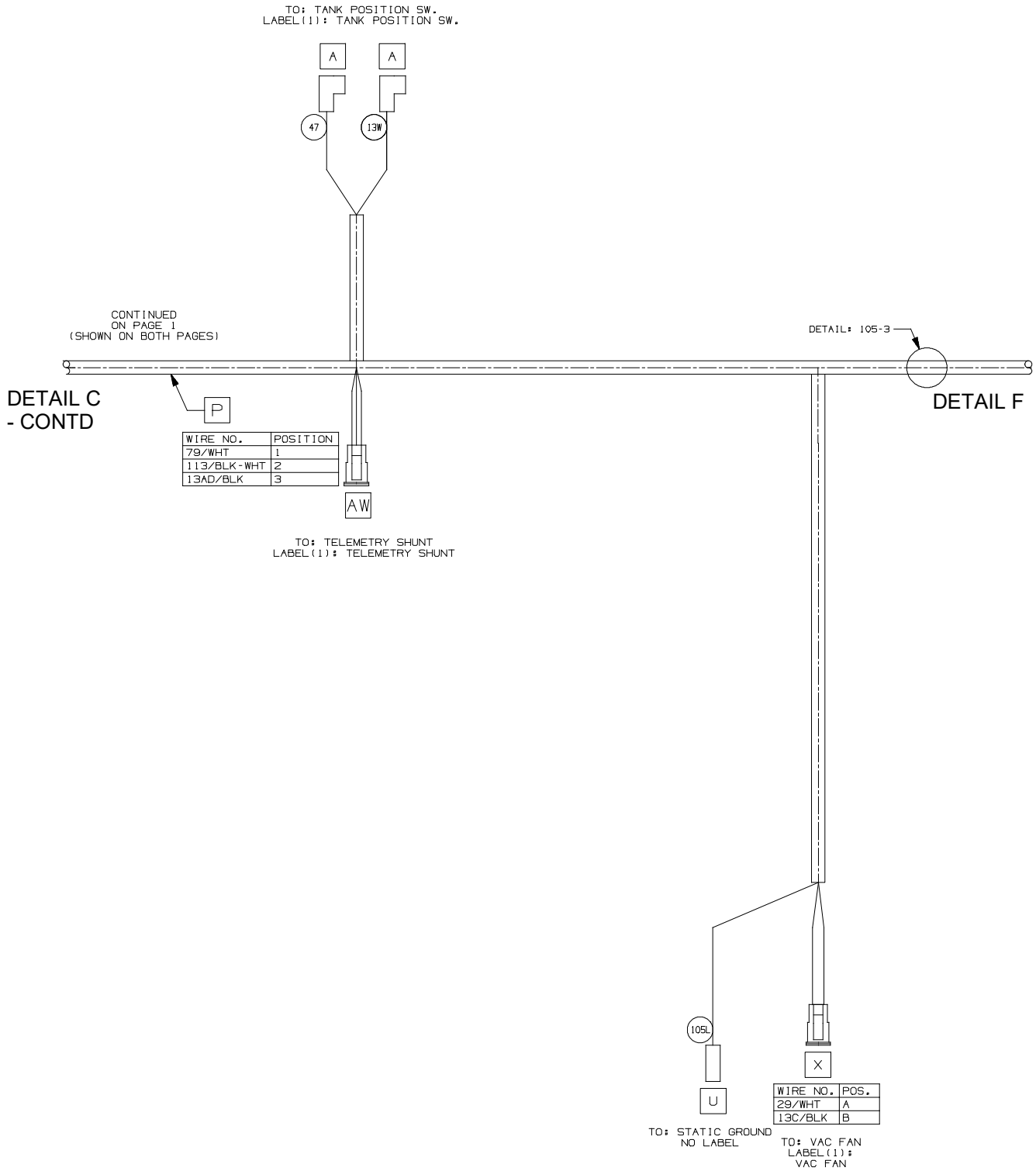
ELECTRICAL HARNESS, MAIN (PAGE 4 OF 6)
(S/N 10000000 - 10995398)

1075312_00



ELECTRICAL HARNESS, MAIN (PAGE 5 OF 6)
(S/N 10000000 - 10995398)

1075312_00

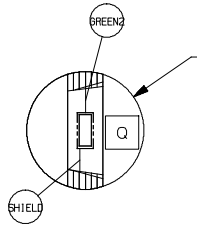


ELECTRICAL HARNESS, MAIN (PAGE 6 OF 6)
(S/N 10000000 - 10995398)

1075312_00

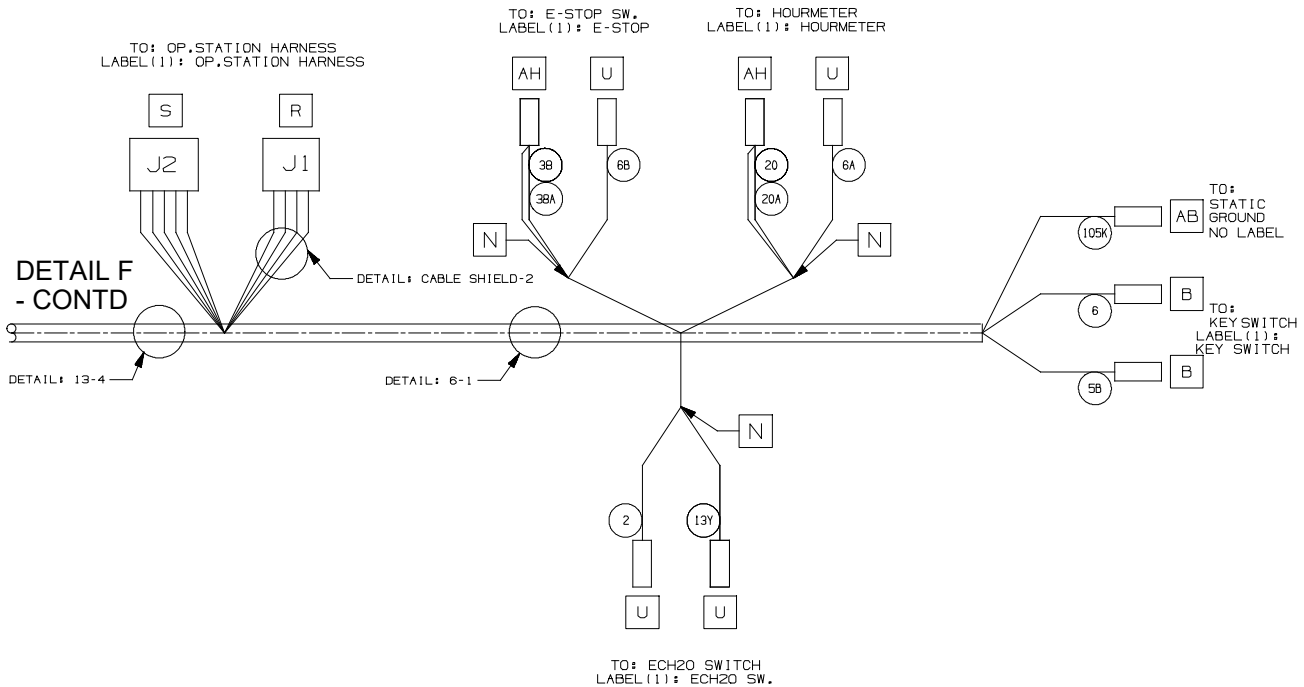
WIRE NO.	POS.
213/BLK-WHT	1
CAN+A/YEL	2
CAN-A/GRN	3
7/PUR	4
6C/BLU	5
20/TAN	6
54/YEL	7
40/TAN	8
41/PNK	9
13X/BLK	10
2/BRN	11
27/PUR	12
1B/GRY	13
38A/GRY	14
47/PUR	15

WIRE NO.	POS.
33/DRA	1
34/YEL	2
35/GRN	3
36/BLU	4
37/PUR	5
CABLE:BLACK	6
CABLE:RED	7
CABLE:NATURAL	8
SHIELD2:GREEN2	9



NOTE:
 - REMOVE CABLE COVERINGS ABOVE THIS POINT.
 - SPLICE SHIELD TO THE SHIELD1/GREEN WIRE.
 - ROUTE THE (4) WIRES UP TO THE SPECIFIED CONNECTORS.
 - COVER THE EXPOSED END OF THE CABLE COVER WITH DEFINED HEATSHRINK.

DETAIL CABLE SHIELD-2



Part No.	Serial Number	Description	Qty.
1075312	(10000000- 10995398)	Harness, Main, Ele [T500e]	1
49309	(10000000- 20000000)	Relay, 24vdc, 015a, Spdt No	2

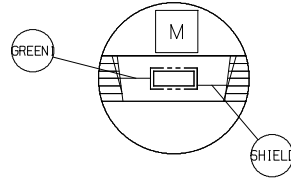
ELECTRICAL HARNESS, OPERATOR STATION

1075313_00

TO: REVERSE SWITCH
 LABEL: REV. SW.

WIRE NO.	POS.
36/BLU	1
37/PUR	2

H



DETAIL CABLE SHIELD-1

TO: SPEED POTENTIOMETER
 LABEL: SPEED POT.

WIRE NO.	POS.
33/ORA	1
34/YEL	2
35/GRN	3

G

TO: USER INTERFACE MODULE
 NO LABELS

WIRE NO.	POS.
38/GRY	1
OPEN	2
2/BRN	3
47/PUR	4
40/TAN	5
41/PNK	6
20/TAN	7
13/BLK	8
7/PUR	9
6/BLU	10

CONN. J7

J

CONN. J5

WIRE NO.	POS.
SHIELD1/ GREEN	1
CABLE: NATURAL	2
CABLE: RED	3
CABLE: BLACK	4

D

DETAIL: SHIELD-1
 (LOCATED WITHIN 75MM OF CONNECTOR "D".)

CONN. J3

WIRE NO.	POS.
CAN+/YEL	1
CAN-/GRN	2
113/BLK-WHT	3
OPEN	4

B

CONN. J10

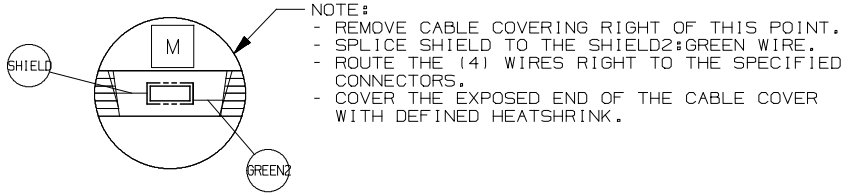
WIRE NO.	POS.
18/GRY	1
OPEN	2
27/PUR	3
OPEN	4
OPEN	5
54/YEL	6
OPEN	7
OPEN	8

A

DETAIL A

ELECTRICAL HARNESS, OPERATOR STATION

1075313_00

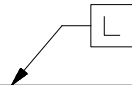


DETAIL CABLE SHIELD-2

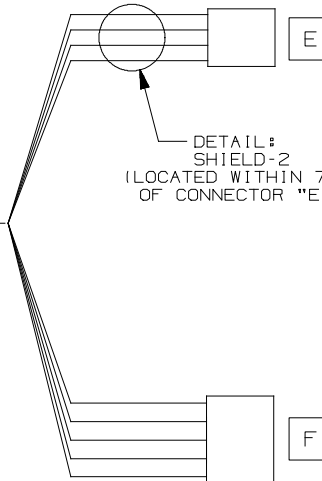
TO: MAIN HARNESS
NO LABEL

WIRE NO.	POS.
33/ORA	1
34/YEL	2
35/GRN	3
36/BLU	4
37/PUR	5
CABLE:BLK	6
CABLE:RED	7
CABLE:NATURAL	8
SHIELD2:GREEN	9

DETAIL A
- CONTD



DETAIL:
SHIELD-2
(LOCATED WITHIN 75MM
OF CONNECTOR "E".)



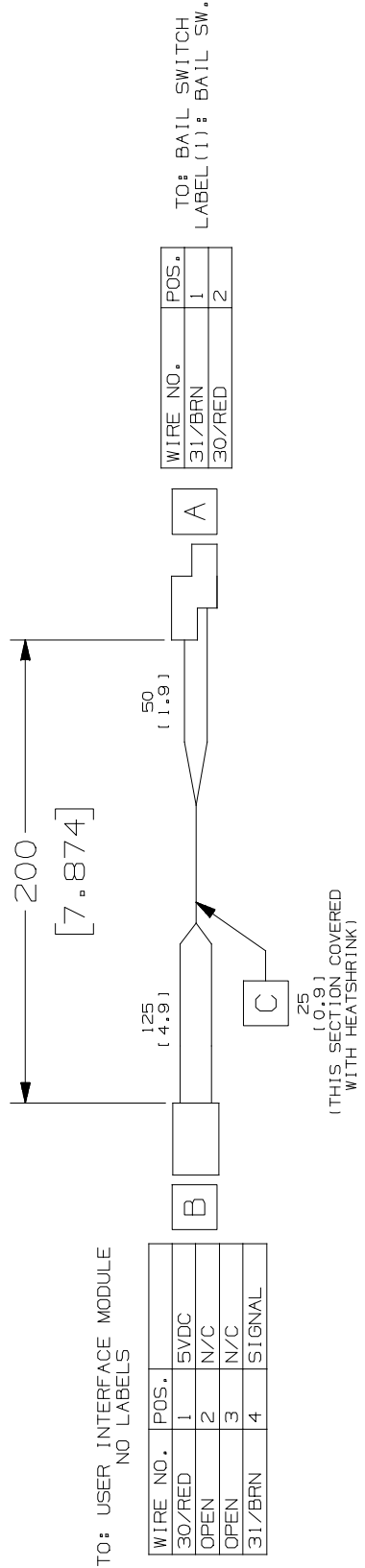
TO: MAIN HARNESS.
NO LABEL

WIRE NO.	POS.
113/BLK-WHT	1
CAN+/YEL	2
CAN-/GRN	3
7/PUR	4
6/BLU	5
20/TAN	6
54/YEL	7
40/TAN	8
41/PNK	9
13/BLK	10
2/BRN	11
27/PUR	12
18/GRY	13
38/GRY	14
47/PUR	15

Part No.	Serial Number	Description	Qty.
1075313	(10000000- 20000000)	Harness, Ele [Op. Station, T500e]	1

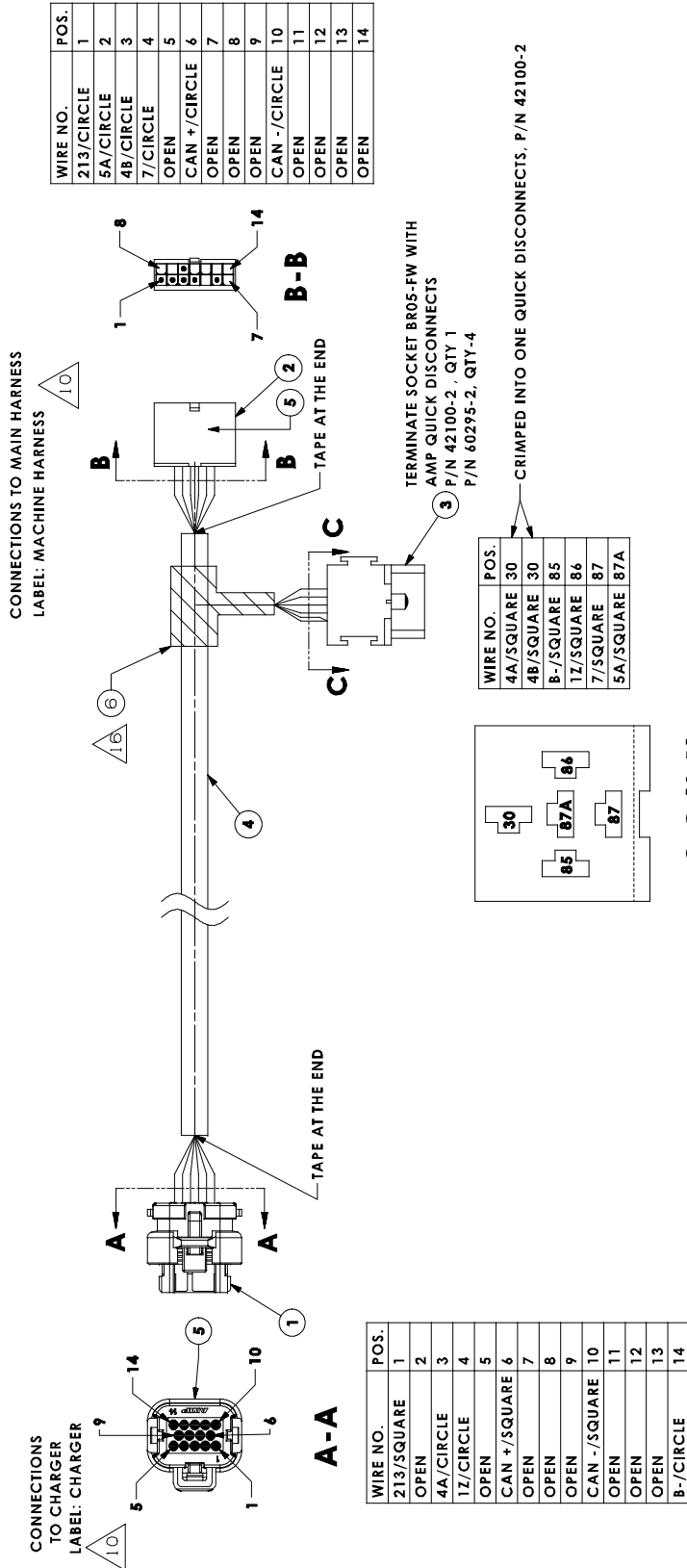
ELECTRICAL HARNESS, BAIL SWITCH

1072524_00



Part No.	Serial Number	Description	Qty.
1072524	(10000000-20000000)	Harness, Ele [Bail Switch]	1

ELECTRICAL HARNESS, RELAY ADAPTER (TPPL BATTERY OPTION)

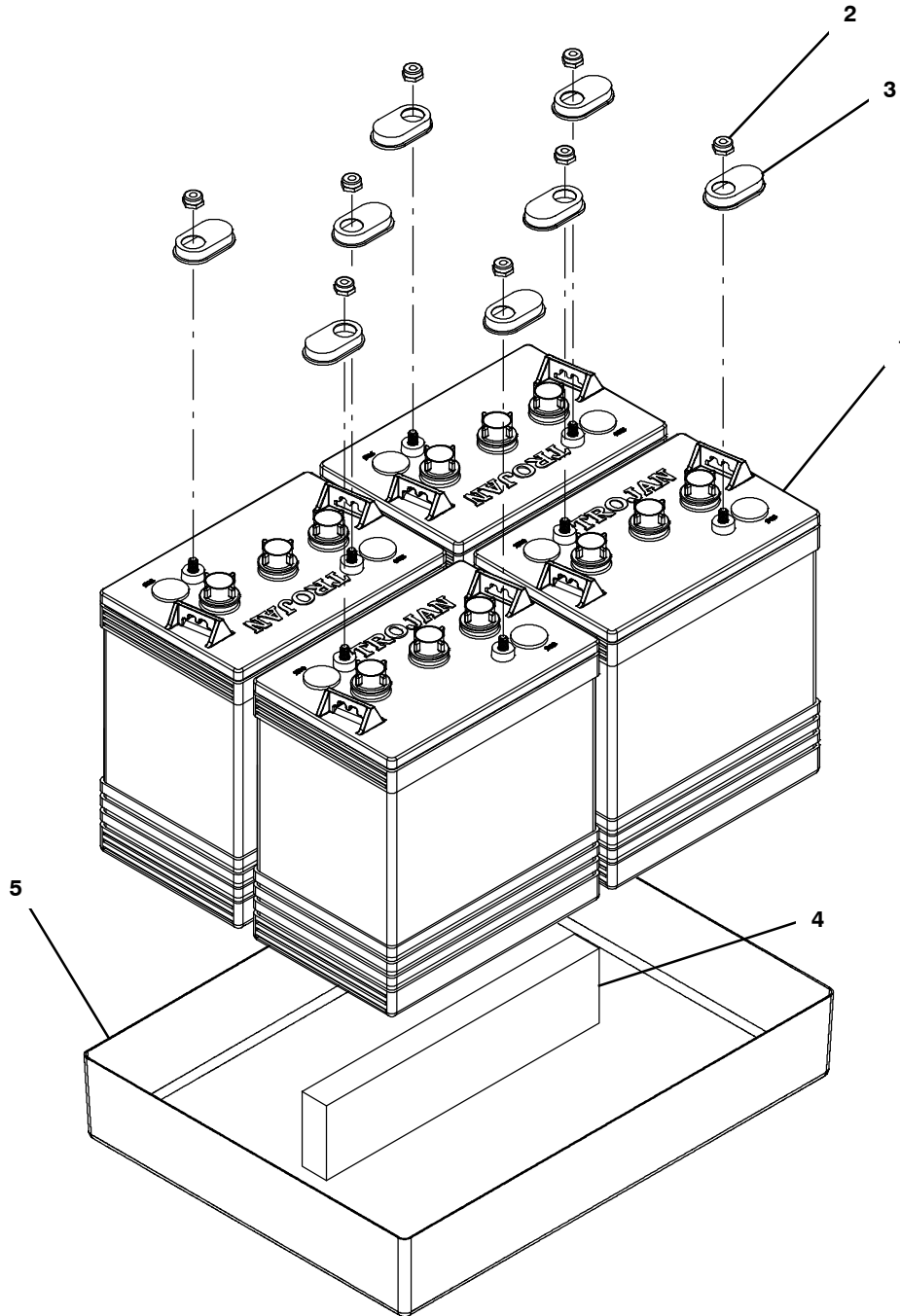


WIRE ID	GAUGE	COLOR	WIRE TYPE	CIRCLE TERMINAL		SQUARE TERMINAL	
				MANUFACTURER	P/N	MANUFACTURER	P/N
1Z	18	ORA	SEE NOTE 13	AMPSEAL	770854-1	AMP	60295-2
4A	20	YEL		AMPSEAL	770854-1	AMP	42100-2
4B	20	YEL		MOLEX	39000040	AMP	60295-2
5A	20	GRN		MOLEX	39000040	AMP	60295-2
7	20	PUR		MOLEX	39000040	AMP	60295-2
213	18	BLK-WHT		MOLEX	39000040	AMPSEAL	770854-1
CAN +	20	YEL		MOLEX	39000040	AMPSEAL	770854-1
CAN -	20	GRN		MOLEX	39000040	AMPSEAL	770854-1
B-	18	BLK		AMPSEAL	770854-1	AMP	60295-2

Part No.	Serial Number	Description	Qty.
1076909	(10995399-20000000)	Harness, Ele, Adapter, Relay	1

BATTERY GROUP, WET 225AH

355452



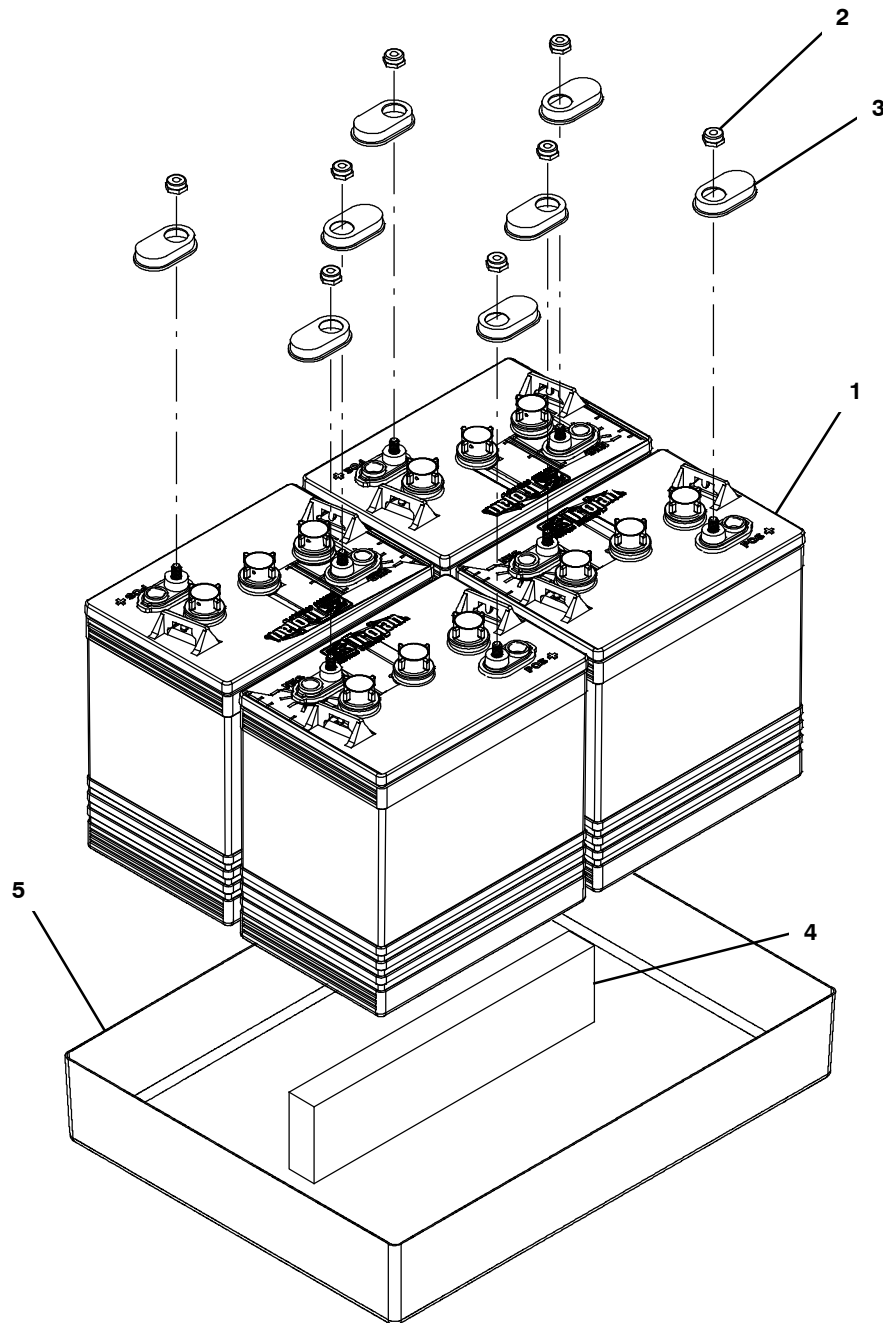
Ref.	Part No.	Serial Number	Description	Qty.
▽	1	10155	(10000000-20000000) Battery, Wet, 06vdc	4
▲	2	87435	(10000000-20000000) Nut, Hex, Flexlock, .31- 18	2
	3	1041030	(10000000-20000000) Cap, Battery, Black [For 155ah]	8
	4	630375	(10000000-20000000) Spacer, Battery, Foam, 1.25 X 3.3 X 13.7	1
	5	1222318	(10000000-20000000) Tray, Battery, Trimmed [T500, Thick]	1

▽ ASSEMBLY

▲ INCLUDED IN ASSEMBLY

BATTERY GROUP, WET 260AH

355448



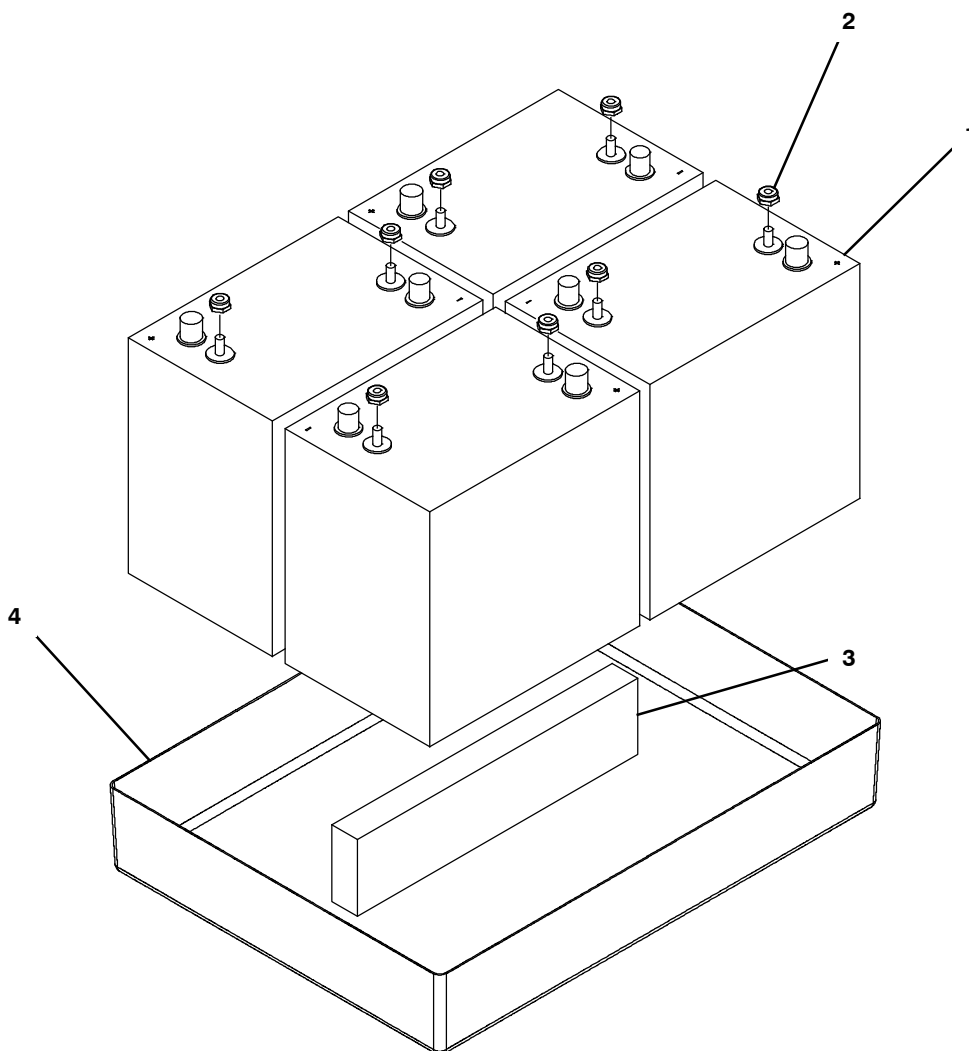
	Ref.	Part No.	Serial Number	Description	Qty.
▽	1	390825	(10000000- 20000000)	Battery, Wet, 06vdc 0244ah	4
▲	2	87435	(10000000- 20000000)	Nut, Hex, Flexlock, .31- 18	2
▲	3	1041030	(10000000- 20000000)	Cap, Battery, Black [For 155ah]	2
	4	630375	(10000000- 20000000)	Spacer, Battery, Foam, 1.25 X 3.3 X 13.7	1
	5	1222318	(10000000- 20000000)	Tray, Battery, Trimmed [T500, Thick]	1

▽ ASSEMBLY

▲ INCLUDED IN ASSEMBLY

BATTERY GROUP, AGM 220AH

355450



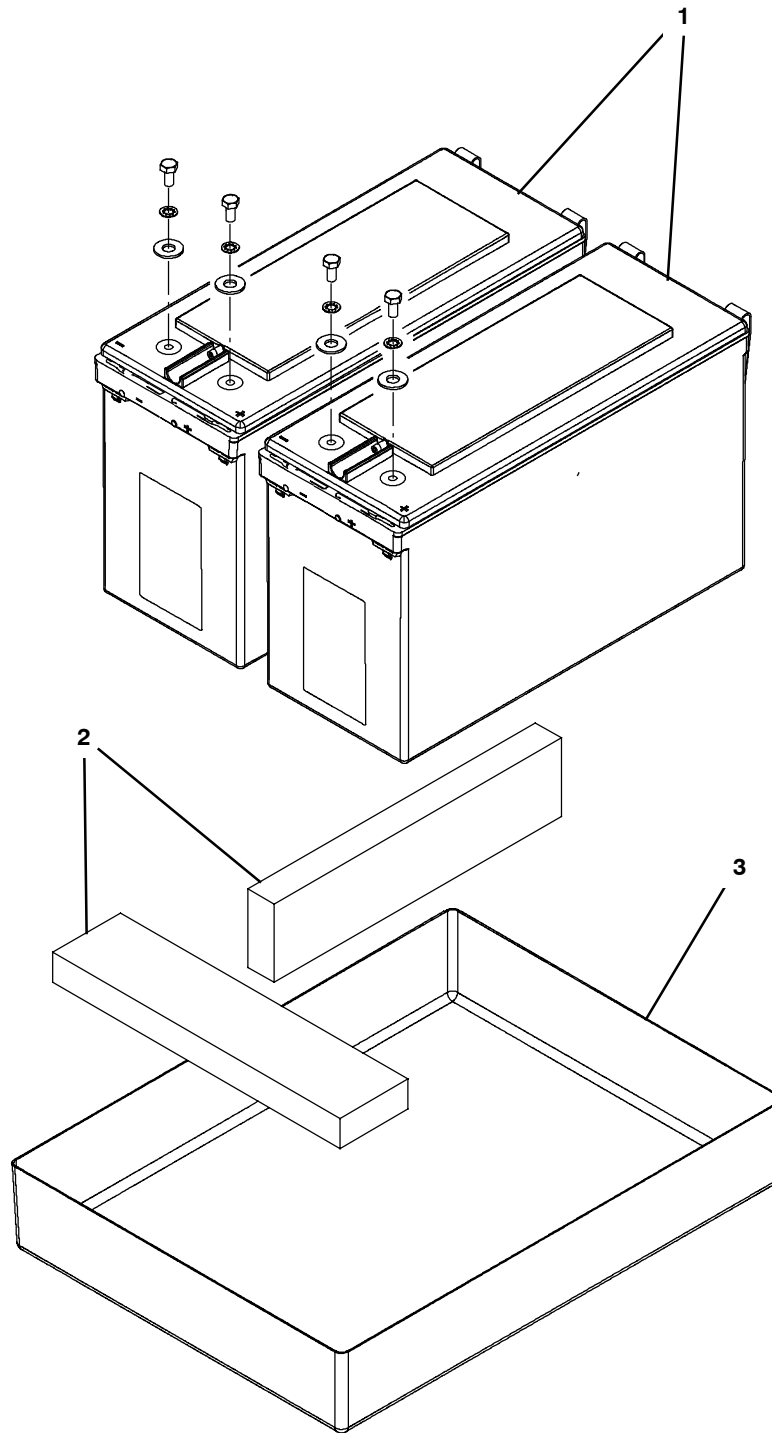
	Ref.	Part No.	Serial Number	Description	Qty.
▽	1	1074042	(10000000-20000000)	Battery, Agm, 06vdc, 220ah (Discover)	4
▲	2	87435	(10000000-20000000)	Nut, Hex, Flexlock, .31- 18	2
	3	630375	(10000000-20000000)	Spacer, Battery, Foam, 1.25 X 3.3 X 13.7	1
	4	1222318	(10000000-20000000)	Tray, Battery, Trimmed [T500, Thick]	1

▽ ASSEMBLY

▲ INCLUDED IN ASSEMBLY

BATTERY GROUP, TPPL 183AH C/20

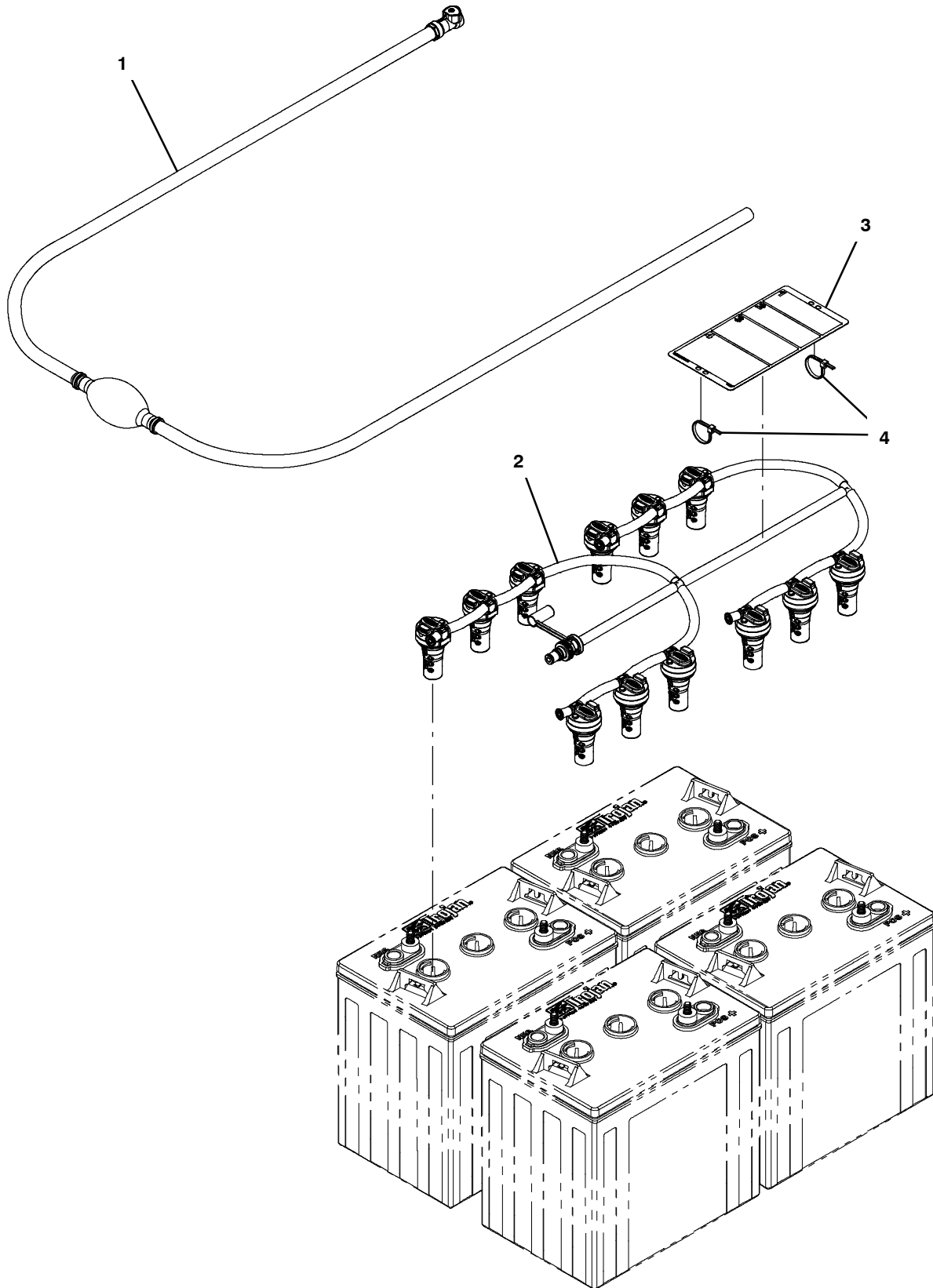
355804



Ref.	Part No.	Serial Number	Description	Qty.
1	1254199	(10000000- 20000000)	Battery, Ttpl, 12vdc, 183ah [C/20]	2
2	630375	(10000000- 20000000)	Spacer, Battery, Foam, 1.25 X 3.3 X 13.7	2
3	1222318	(10000000- 20000000)	Tray, Battery, Trimmed [T500, Thick]	1

MANUAL BATTERY WATERING SYSTEM

355801



MANUAL BATTERY WATERING SYSTEM

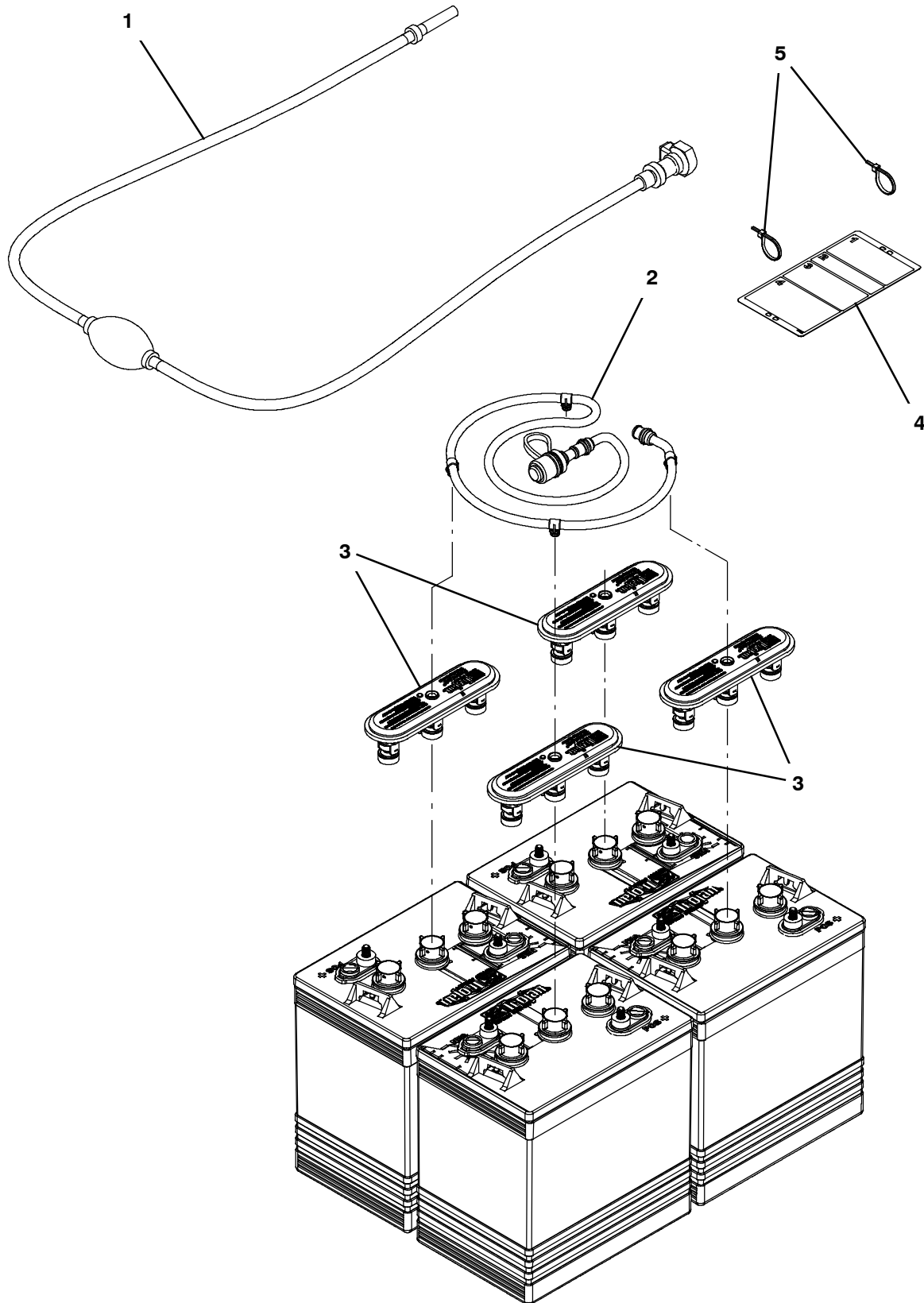
	Ref.	Part No.	Serial Number	Description	Qty.
▽		9021123	(10995399- 20000000)	Fill Kit, Battery, Manual, Ci [Trojan]	1
▲	1	1236295	(10995399- 20000000)	Pump, Hand, Battery	1
▲	2	9018988	(10995399- 20000000)	Distribution Kit, Water, Battery	1
▲	3	1253250	(10995399- 20000000)	Label, Tag, Battery [Bwt Watering]	1
▲	4	130773	(10000000- 20000000)	Tie, Cable, Nyl, 11.0l, .14w, 3.0 Max. D	2

▽ ASSEMBLY

▲ INCLUDED IN ASSEMBLY

HYDROLINK MANUAL BATTERY WATERING SYSTEM

355454



HYDROLINK MANUAL BATTERY WATERING SYSTEM

	Ref.	Part No.	Serial Number	Description	Qty.
▽		9010300	(10000000- 10995398)	Battery Fill Kit, 24v, Ci [Hydrolink] (Replaced By 9021123)	1
▲	1	1058939	(10000000- 10995398)	Pump Kit, Fill, Battery	1
▲	2	1229544	(10000000- 10995398)	Tube, Water, Battery, 24vdc [Trojan]	1
▲	3	1204142	(10000000- 10995398)	Cap, Fill, Battery [Trojan]	4
▲	4	1071084	(10000000- 10995398)	Label, Tag, Battery [Hydrolink Watering]	1
▲	5	130773	(10000000- 20000000)	Tie, Cable, Nyl, 11.0l, .14w, 3.0 Max. D	2

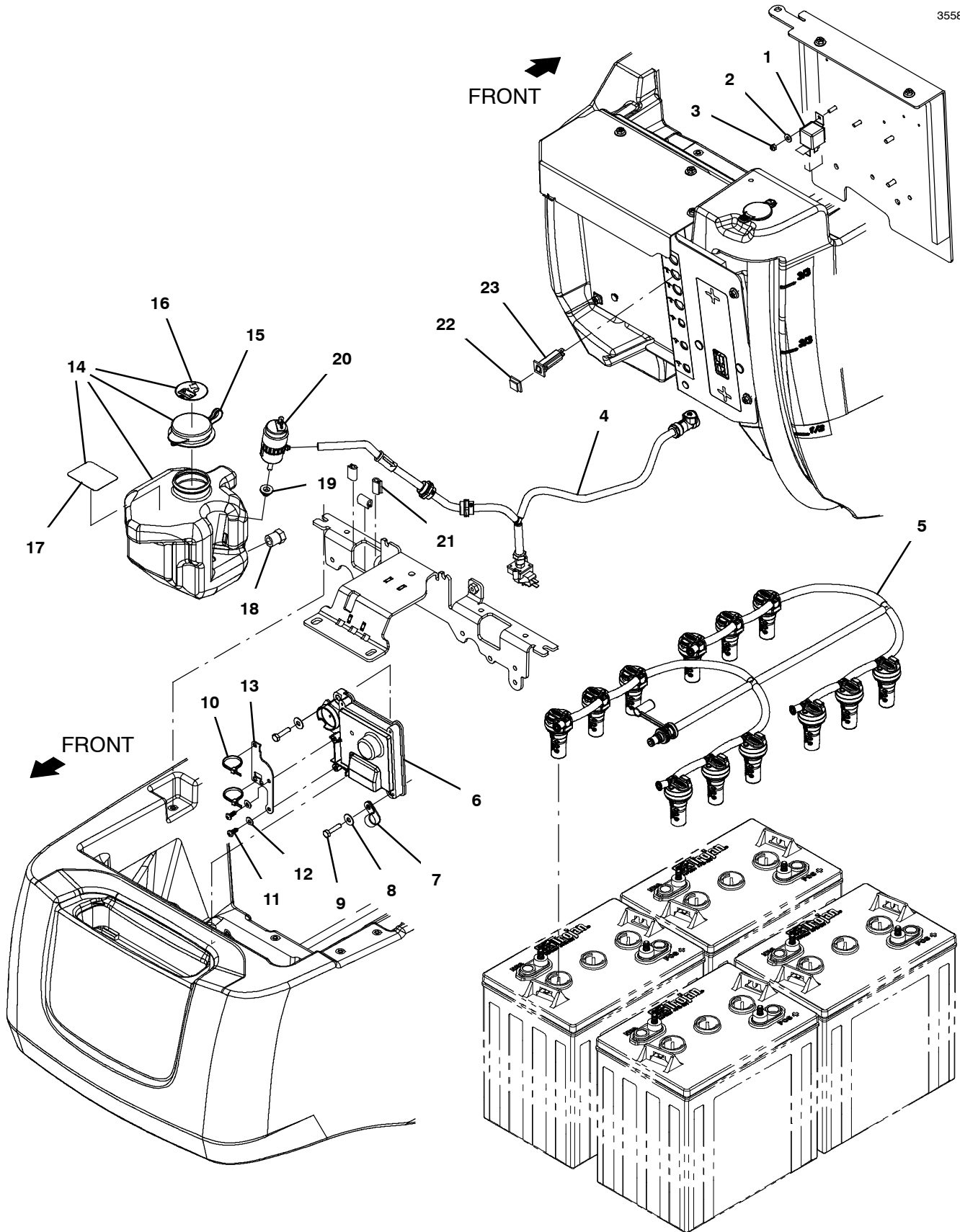
▽ ASSEMBLY

▲ INCLUDED IN ASSEMBLY

HYDROLINK® IS A REGISTERED TRADEMARK OF TROJAN BATTERY COMPANY.

SMART-FILL AUTOMATIC BATTERY WATERING SYSTEM
(S/N 10995399 -)

355803



**SMART-FILL AUTOMATIC BATTERY WATERING SYSTEM
(S/N 10995399 -)**

Ref.	Part No.	Serial Number	Description	Qty.
▽	9021125*	(10995399-20000000)	Fill Kit, Battery, Auto, Ci [Trojan]	1
▲	1 1228510	(10000000-20000000)	Relay, 24vdc, 80a, Spst No, Plug- In	1
▲	2 01683	(10000000-20000000)	Washer, Flat, 10, Ss	1
▲	3 09739	(10000000-20000000)	Nut, Hex, Lock, M5 X 0.80, NI, Ss	1
▲	4 9018989	(10995399-20000000)	Delivery Kit, Water, Battery	1
▲	5 9018988	(10995399-20000000)	Distribution Kit, Water, Battery	1
▲	6 9016770*	(10995399-20000000)	Controller Kit, Battery, 24vdc, Ci [Abw] (See Breakdowns)	1
▲	7 40678-1	(10995399-20000000)	Clamp, Cable, Stl, 0.88d X 0.62w, 1hole	1
▲	8 01684	(10000000-20000000)	Washer, Flat, 0.27b 0.69d .05, Ss	2
▲	9 1016005	(10000000-20000000)	Screw, Hex, M6 X 1.00 X 25, NI, FI, Ss	2
▲	10 130773	(10000000-20000000)	Tie, Cable, Nyl, 11.0l, .14w, 3.0 Max. D	2
▲	11 1018155	(10000000-20000000)	Screw, Pan, Phl, M5 X 0.80 X 16, Tcut,Ss	2
▲	12 01683	(10000000-20000000)	Washer, Flat, 10, Ss	2
▲	13 1252827	(10995399-20000000)	Bracket, Mtg, Abw	1
▲▽	14 9021131	(10995399-20000000)	Tank Kit, Battery Fill, Ci [W/ Pump]	1
▲▲	15 1224600	(10000000-20000000)	Cap, Snap, 2.17d [Blue]	1
▲▲	16 1224988	(10000000-20000000)	Label, Automated Battery Watering	1
▲▲	17 1233633	(10000000-20000000)	Label, Detgt [Do Not Add]	1
▲▲	18 630146	(10000000-20000000)	Fitting, Plug, Pm06, Hdpe	1
▲▲	19 1231338	(10995399-20000000)	Grommet, Pump	1
▲▲	20 1231018	(10995399-20000000)	Pump, In- Tank, 13.5vdc 3.5lpm	1
▲	21 1020168	(10000000-20000000)	Molding, Afmkt, Trim, Pvc, .08 .11, 01ft	1
▲	22 1064191	(10000000-20000000)	Boot, Circuitbreaker	1
▲	23 1064187	(10000000-20000000)	Circuitbreaker, 10.0a, Resetable	1

* Requires Tennant *True* service or an authorized Tennant service provider.

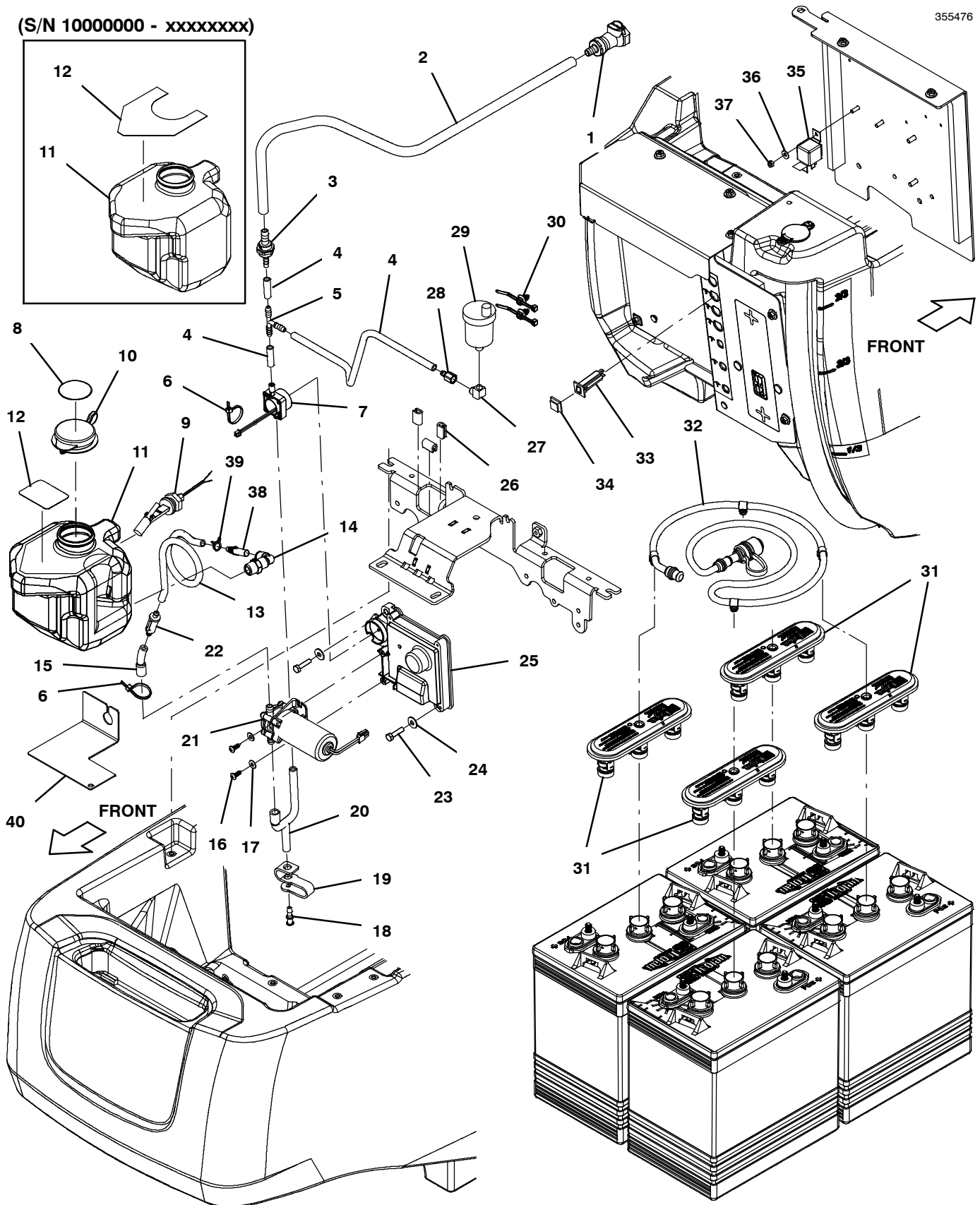
▽ ASSEMBLY

▲ INCLUDED IN ASSEMBLY

SMART-FILL AUTOMATIC BATTERY WATERING SYSTEM
(S/N 10000000 - 10995398)

(S/N 10000000 - xxxxxxxx)

355476



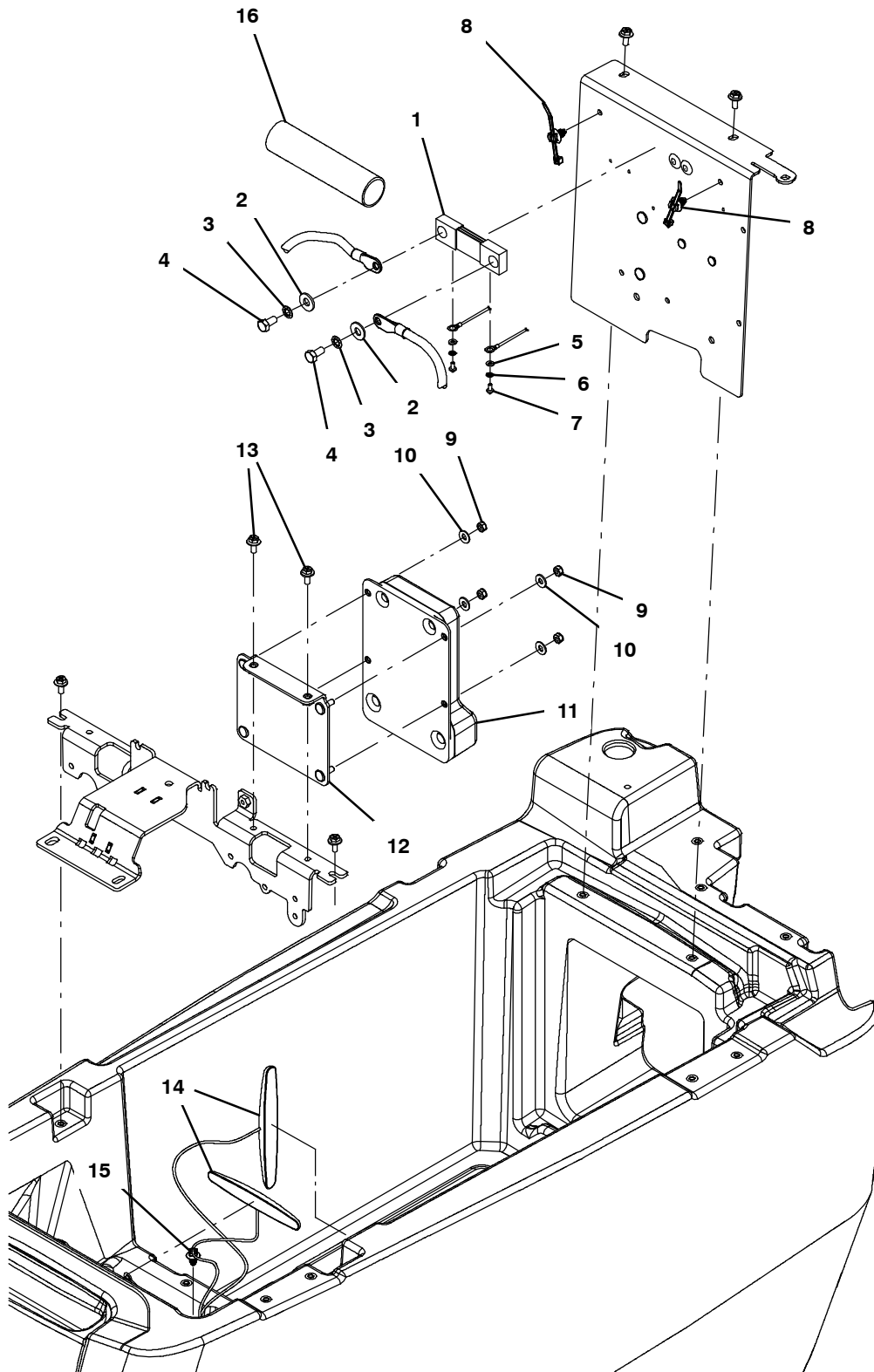
**SMART-FILL AUTOMATIC BATTERY WATERING SYSTEM
(S/N 10000000 - 10995398)**

Ref.	Part No.	Serial Number	Description	Qty.
1	1221589	(10000000- 10995398)	Fitting, Plstc, Str, Bm06, Cplg, Fem[HI]	1
2	1006416	(10000000- 10995398)	Hose, Afrmkt, Pvc, Clr, 0.38id, 03ft	1
3	1225185	(10000000- 10995398)	Valve, Check, 0002psi Bm04/Bm06	1
4	1006415	(10000000- 10995398)	Hose, Afrmkt, Pvc, Clr, 0.25id, 03ft	1
5	150713	(10000000- 10995398)	Fitting, Plstc, Tee, Bm04/Bm04/Bm04	1
6	130773	(10000000- 20000000)	Tie, Cable, Nyl, 11.0l, .14w, 3.0 Max. D	2
7	1222371	(10000000- 10995398)	Sensor, Flow, Hall Effect, 5- 24vdc	1
8	1224988	(10000000- 20000000)	Label, Automated Battery Watering	1
9	1212430	(10000000- 10995398)	Sensor, Level, Liq, 30watt, Spst	1
10	1224600	(10000000- 20000000)	Cap, Snap, 2.17d [Blue]	1
11	1252606	(xxxxxxx- 20000000)	Tank, 2.3l, Trimmed, Se	1
11	1217453	(10000000- xxxxxxxx)	Tank [2.5 Liter] (Replaced By 1252606)	1
12	1233633	(xxxxxxx- 20000000)	Label, Detgt [Do Not Add]	1
12	1228813	(10000000- xxxxxxxx)	Label, Warning, No Detgt (Replaced By 1233633)	1
13	1006415	(10000000- 10995398)	Hose, Afrmkt, Pvc, Clr, 0.25id, 03ft	1
14	1212812	(10000000- 10995398)	Fitting, Plstc, E90, Qf06/Pm06, Swivel	1
15	1224108	(10000000- 10995398)	Hose, Mold, Bm04/Bm06	1
16	1018155	(10000000- 20000000)	Screw, Pan, Phl, M5 X 0.80 X 16, Tcut, Ss	2
17	01683	(10000000- 20000000)	Washer, Flat, 10, Ss	2
18	1228042	(10000000- 10995398)	Fitting, Plstc, Cap, Bm03 [T500]	1
19	1228043	(10000000- 10995398)	Strap, Retaining, Cap [T500]	1
20	1224016	(10000000- 10995398)	Hose, Molded, Bm04/Bm06	1
21	1220042	(10000000- 10995398)	Pump, Fill, Battery	1
22	1222924	(10000000- 10995398)	Filter, In- Line, Bm04/Bm04, 100mic, 2.0l	1
23	1016005	(10000000- 20000000)	Screw, Hex, M6 X 1.00 X 25, NI, FI, Ss	2
24	01684	(10000000- 20000000)	Washer, Flat, 0.27b 0.69d .05, Ss	2
25	9018008*	(10000000- 10995398)	Kit, Module, Abw, Ci (See Breakdowns) (Replaced By 9016770)	1
26	1020168	(10000000- 20000000)	Molding, Afrmkt, Trim, Pvc, .08 .11, 01ft	1
27	150407	(10000000- 10995398)	Fitting, Brs, E90, Pf02/Pm02 [Street]	1
28	1040254	(10000000- 10995398)	Fitting, Brs, Str, Bm04/Pf02	1
29	1017386	(10000000- 10995398)	Valve, Vent, Air, Float Type	1
30	1210807	(10000000- 10995398)	Wire, Tie [W/.25" Fir Tree Clip]	2
31	1204142	(10000000- 10995398)	Cap, Fill, Battery [Trojan]	4
32	1229544	(10000000- 10995398)	Tube, Water, Battery, 24vdc [Trojan]	1
33	1064187	(10000000- 20000000)	Circuitbreaker, 10.0a, Resetable	1
34	1064191	(10000000- 20000000)	Boot, Circuitbreaker	1
35	1228510	(10000000- 20000000)	Relay, 24vdc, 80a, Spst No, Plug- In	1
36	01683	(10000000- 20000000)	Washer, Flat, 10, Ss	1
37	09739	(10000000- 20000000)	Nut, Hex, Lock, M5 X 0.80, NI, Ss	1
38	1212857	(10000000- 10995398)	Fitting, Plstc, Str, Qm06/Bm04	1
39	613735	(10000000- 10995398)	Clamp, Hose, Wir, .40 - .42, Yel	1
40	1243106	(10000000- 10995398)	Plate, Shield, Switch	1

* Requires Tennant *True* service or an authorized Tennant service provider.

ELECTRICAL GROUP, TELEMETRY

355466

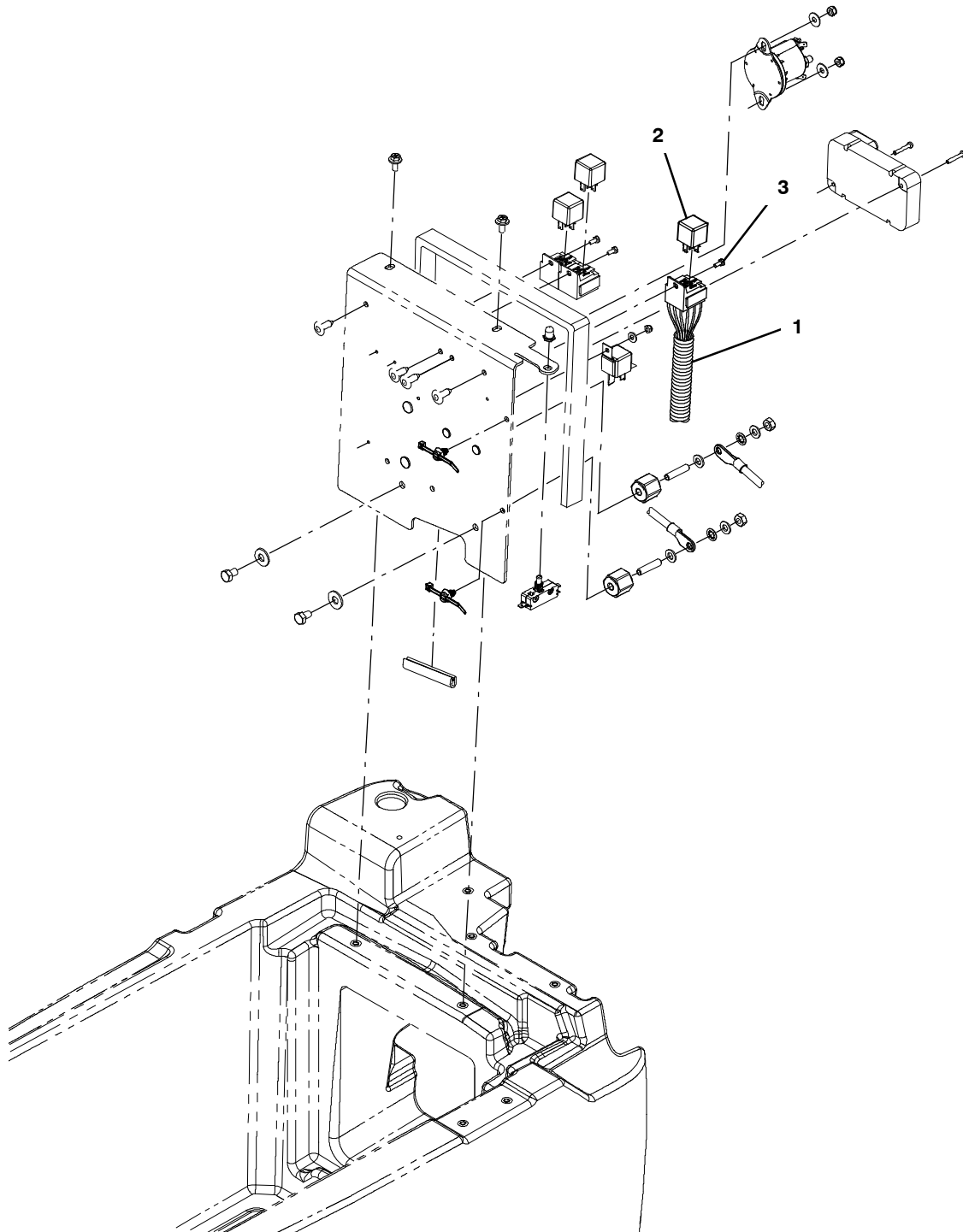


ELECTRICAL GROUP, TELEMETRY

Ref.	Part No.	Serial Number	Description	Qty.
1	1217304	(10000000- 20000000)	Shunt [Empro, 250amp/50mv, Metric]	1
2	01685	(10000000- 20000000)	Washer, Flat, 0.38b 0.88d .08, Ss	2
3	43952	(10000000- 20000000)	Washer, Lock, Int, 0.31, Ss	2
4	15675	(10000000- 20000000)	Screw, Hex, M8 X 1.25 X 16, Ss	2
5	41578	(10000000- 20000000)	Washer, Flat, 06, Ss	2
6	02938	(10000000- 20000000)	Washer, Lock, Int, 08, Ss	2
7	391403	(10000000- 20000000)	Screw, Pan, Phl, M4 X 0.70 X 8, Ss	2
8	1210807	(10000000- 20000000)	Wire, Tie [W/.25" Fir Tree Clip]	2
9	08712	(10000000- 20000000)	Nut, Hex, Lock, M6 X 1.00, NI, Ss	4
10	32483	(10000000- 20000000)	Washer, Flat, 0.25, Sae	4
11	9010085	(10000000- 20000000)	Control Box Assy Kit, Replmt, Telem[Usa]	1
12	1225123	(10000000- 20000000)	Bracket Wldt, Control Box	1
13	1034731	(10000000- 20000000)	Screw, Hex, M6 X 1.00 X 16, Sems, Ss	2
14	1247569	(10982289- 20000000)	Antenna, Telem [4g, 36"]	2
14	315724	(10000000- 10982288)	Antenna, Telem, 18.0 In [Gprs]	1
15	1210807	(10000000- 20000000)	Wire, Tie [W/.25" Fir Tree Clip]	1
16	1217818	(10000000- 20000000)	Sleeve, Heatshrink, 1.50id, 07.0l	1

ELECTRICAL GROUP, TPPL BATTERY

355808

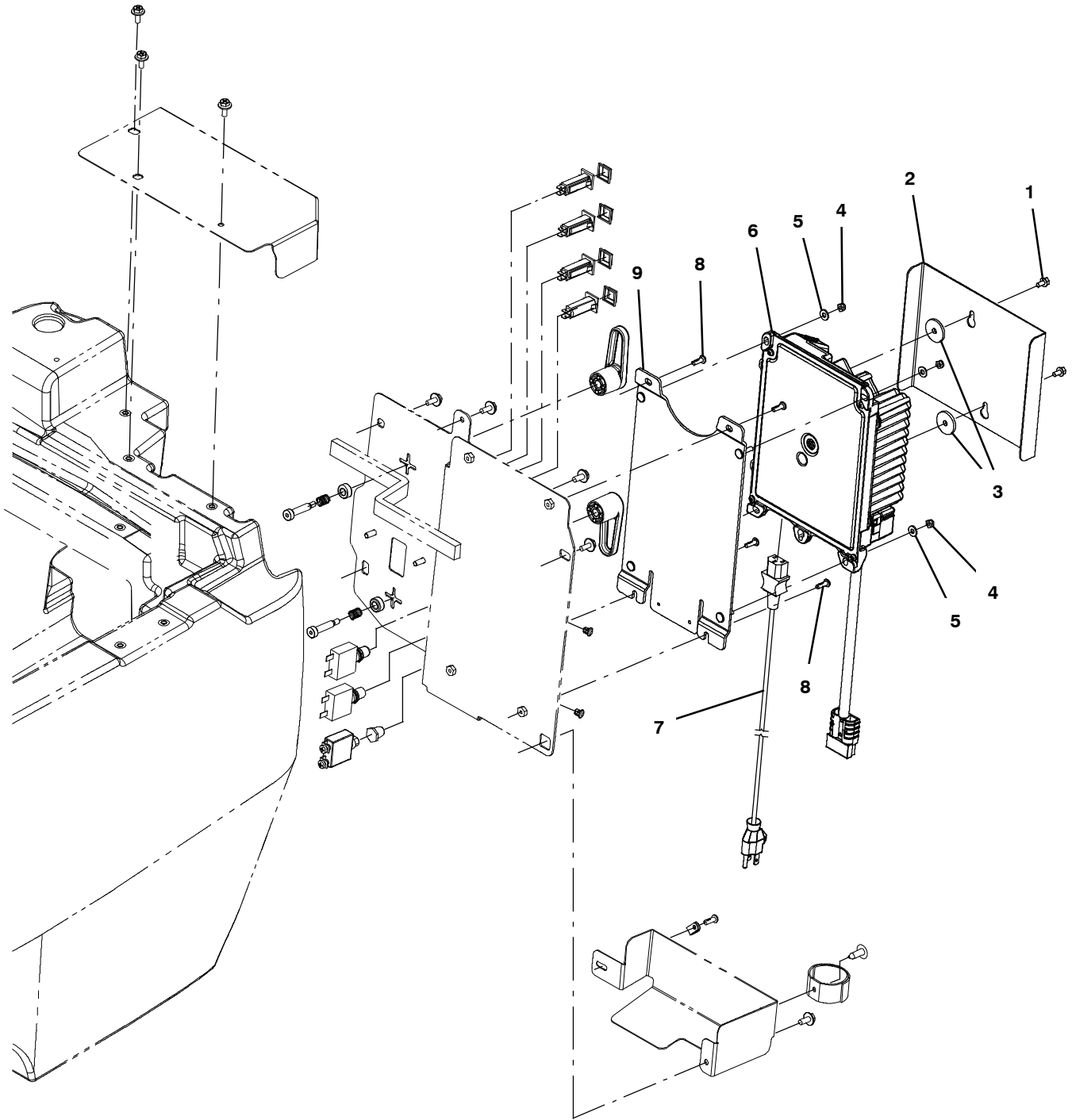


ELECTRICAL GROUP, TPPL BATTERY

Ref.	Part No.	Serial Number	Description	Qty.
1	1076909	(10000000- 20000000)	Harness, Ele, Adaptor, Relay	1
2	49309	(10000000- 20000000)	Relay, 24vdc, 015a, Spdt No	1
3	16944	(10000000- 20000000)	Screw, Hex, M4 X 0.70 X 10, Fmg	1

LOWER CONSOLE GROUP, ON-BOARD CHARGER, TPPL BATTERY

355806

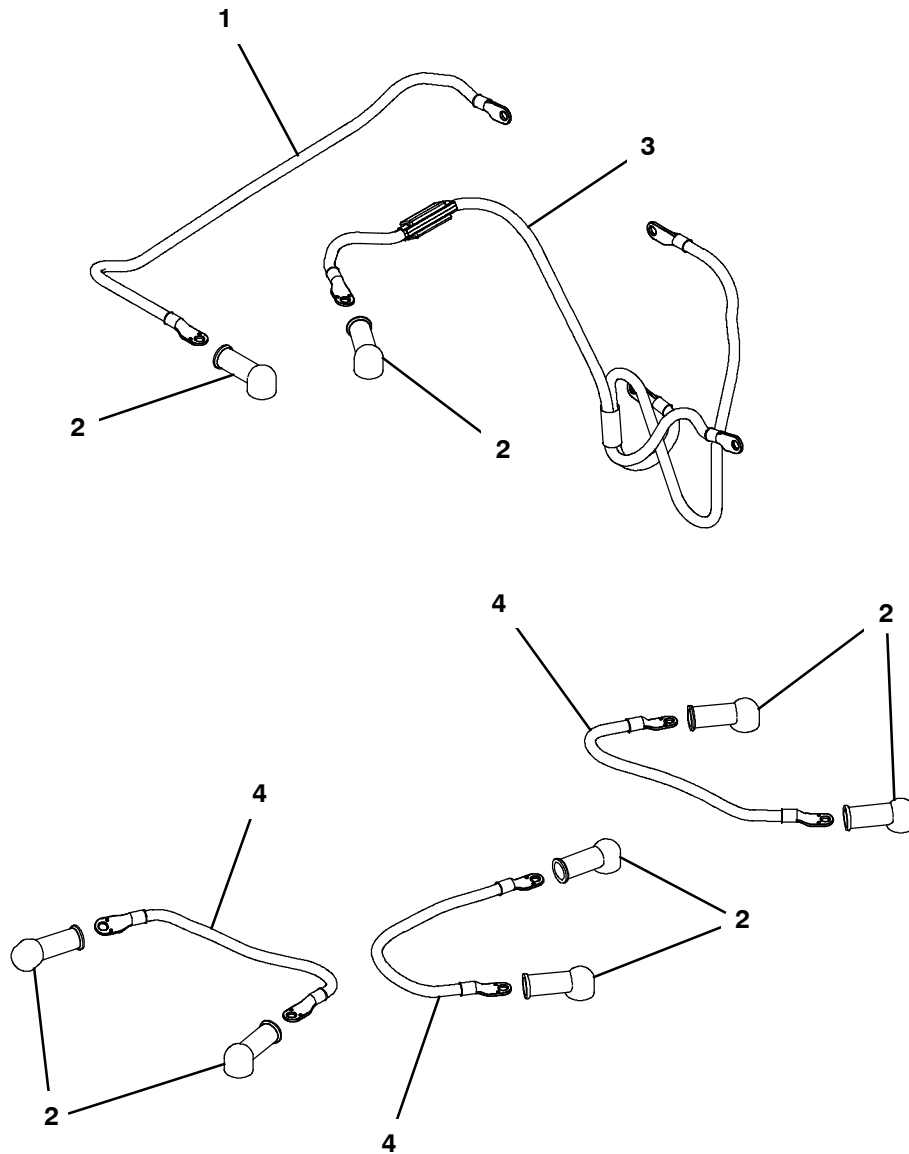


LOWER CONSOLE GROUP, ON- BOARD CHARGER, TPPL BATTERY

Ref.	Part No.	Serial Number	Description	Qty.
1	223198	(10000000- 20000000)	Screw, Hex, M5 X 0.80 X 10, Fmg	2
2	1255115	(10000000- 20000000)	Cover, Charger, Front	1
3	386063	(10000000- 20000000)	Washer, Flat, 0.25b 1.12d .12, Ss	2
4	06549	(10000000- 20000000)	Nut, Hex, M5 X 0.80 X 16, 8.8	4
5	01683	(10000000- 20000000)	Washer, Flat, 10, Ss	4
6	1254123	(10000000- 20000000)	Charger, 24vdc, 650w,100- 240vac [On Brd]	1
7	1025642	(10000000- 20000000)	Cord, Power, 16/3, 15ft Blk [Us]	1
8	1205799	(10000000- 20000000)	Screw, Btn, M5 X 0.8 X 16, 8.8, NI, Torx	4
9	1254600	(10000000- 20000000)	Plate Wldt, Charger, Adapter	1

BATTERY CABLES GROUP, TELEMETRY, AGM AND WET

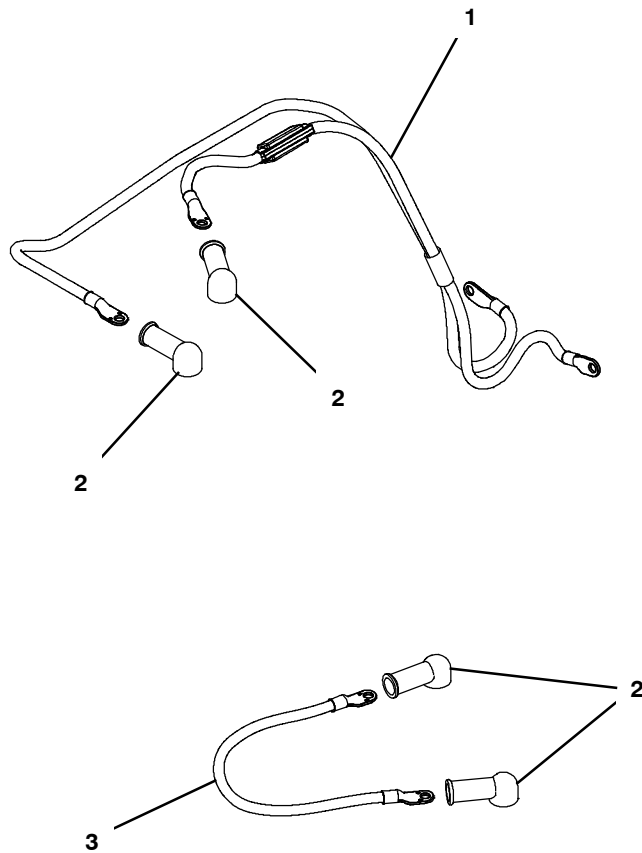
355464



Ref.	Part No.	Serial Number	Description	Qty.
1	1070498	(10000000-20000000)	Cable, 4ga, Blk [6200e, Telemetry]	1
2	611221	(10000000-20000000)	Boot, Terminal, Battery, 25.4mm, Blk	8
3	1074942	(10000000-20000000)	Cable, Assy [T500,T500e]	1
4	1073680	(10000000-20000000)	Cable, 04ga 15.0l Blk [M8 Ring/M8 Ring]	3

BATTERY CABLES GROUP, TPPL BATTERY

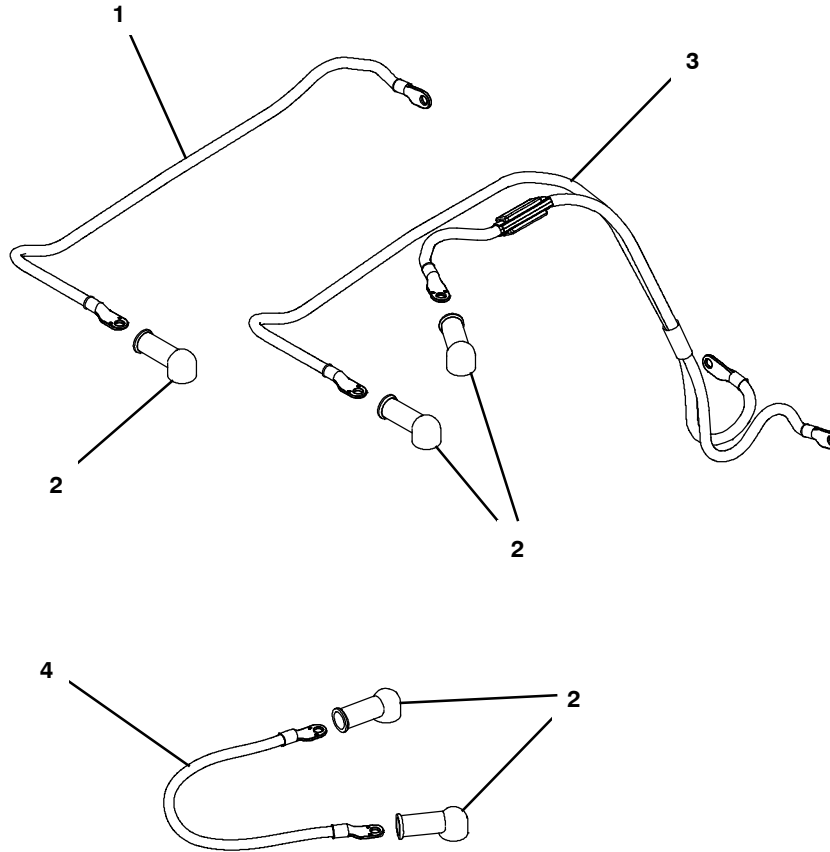
355810



Ref.	Part No.	Serial Number	Description	Qty.
1	1076930	(10000000-20000000)	Cable, Assy .31ring/.25ring [T500, T500e]	1
2	611221	(10000000-20000000)	Boot, Terminal, Battery, 25.4mm, Blk	4
3	1076929	(10000000-20000000)	Cable, 04ga 15.0l Blk, .25ring/.25ring	1

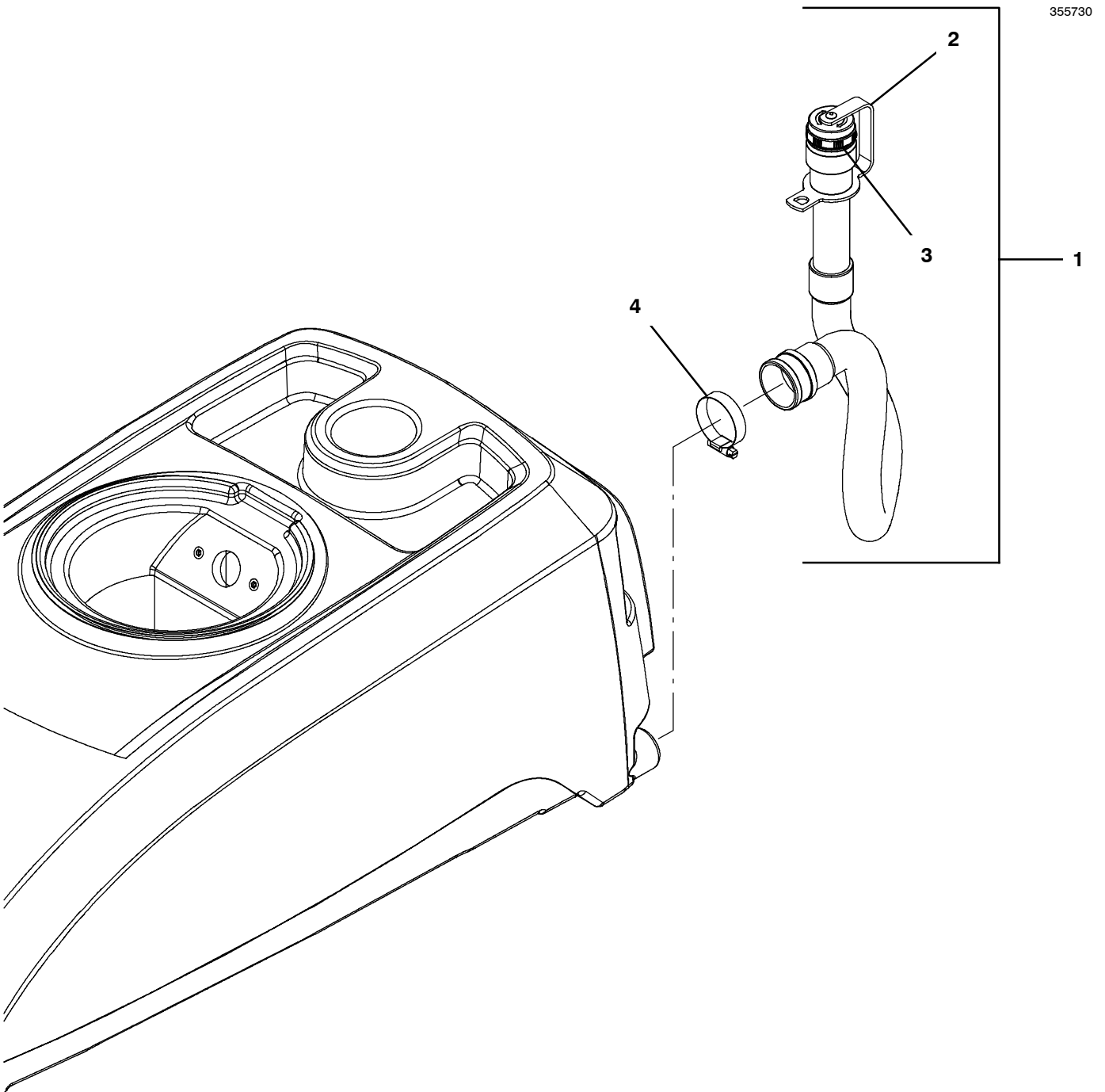
BATTERY CABLES GROUP, TELEMETRY, TPPL BATTERY

355809



Ref.	Part No.	Serial Number	Description	Qty.
1	1076928	(10000000-20000000)	Cable,4ga 23.6l Blk, .31ring/.25ring	1
2	611221	(10000000-20000000)	Boot, Terminal, Battery, 25.4mm, Blk	5
3	1076935	(10000000-20000000)	Cable, Assy .31ring/.25ring[T500e,Shunt]	1
4	1076929	(10000000-20000000)	Cable, 04ga 15.0l Blk, .25ring/.25ring	1

PINCH CUFF SCREW CAP DRAIN HOSE GROUP



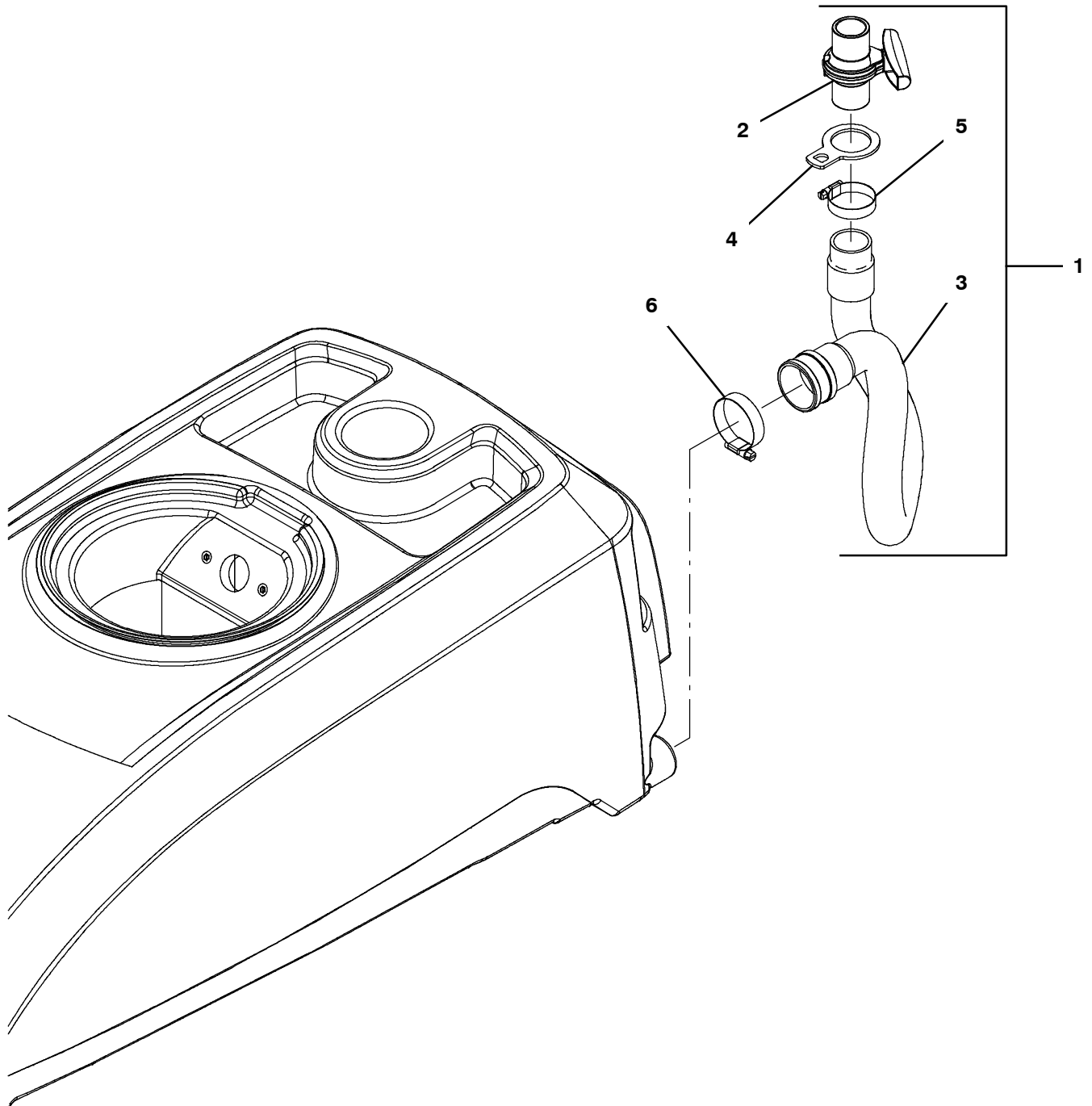
Ref.	Part No.	Serial Number	Description	Qty.
▽	1	1247144	(10951746- 10972171) Hose Assy, Drain, 1.5id X 21.0l [Pu] (Gray) (No Longer Available - Replaced by 1248221 Black PVC)	1
▲▽	2	1247319	(10951746- 10972171) Cap, Drain Assy, D- Ring [Gray] (No Longer Available - Replaced by 1248221 Black PVC)	1
▲▲	3	1008637	(10000000- 20000000) Seal, Org, 1.48id 1.76od	1
	4	22297	(10000000- 20000000) Clamp, Hose, Wormdrive, 1.56- 2.50d, .50w	1

▽ ASSEMBLY

▲ INCLUDED IN ASSEMBLY

CONTROL VALVE DRAIN HOSE GROUP

355494



CONTROL VALVE DRAIN HOSE GROUP

	Ref.	Part No.	Serial Number	Description	Qty.
▽	1	9015727	(10000000- 10951745)	Hose Kit, Drain, Pu, W/ Valve, Ci[T500e] (Gray) (No Longer Available - Replaced by 1248221 Black PVC Pinch Cuff Screw Cap Style)	1
▲	2	1051986	(10000000- 10951745)	Valve, Ball, 2way, 1.0id Pvc, W/Handle (No Longer Available - Replaced by 1248221 Black PVC Pinch Cuff Screw Cap Style)	1
▲	3	1228335	(10000000- 10951745)	Hose Assy, W/2cuff,1.5d 022l 2.0/1.5[Pu] (Gray)	1
▲	4	1229567	(10000000- 10951745)	Strap, Hanger	1
▲	5	11531	(10000000- 10951745)	Clamp, Hose, Wormdrive, 1.06- 2.00d, .56w	1
	6	22297	(10000000- 20000000)	Clamp, Hose, Wormdrive, 1.56- 2.50d, .50w	1

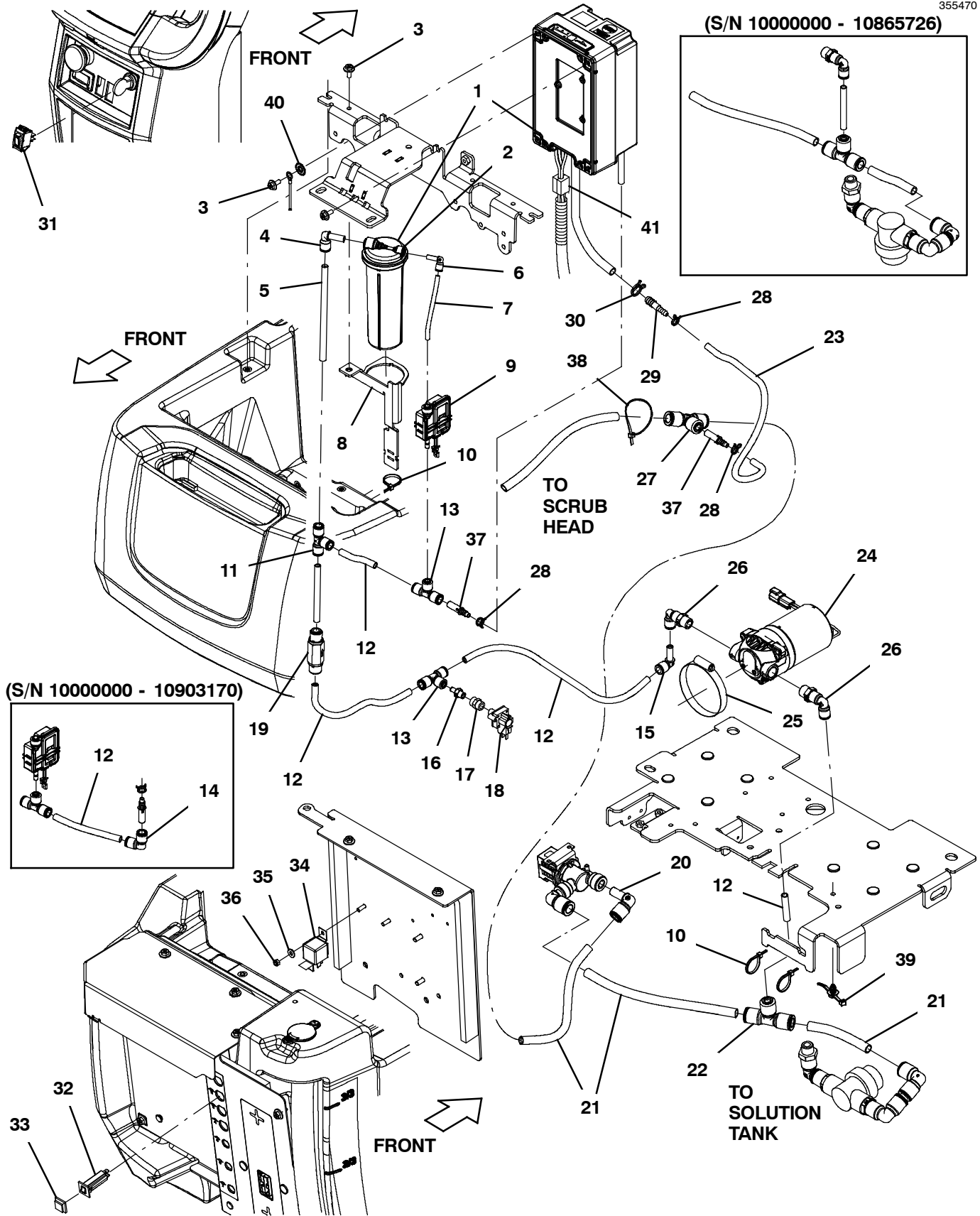
▽ ASSEMBLY

▲ INCLUDED IN ASSEMBLY

ec-H₂O SOLUTION GROUP

355470

(S/N 1000000 - 10865726)



ec-H2O SOLUTION GROUP

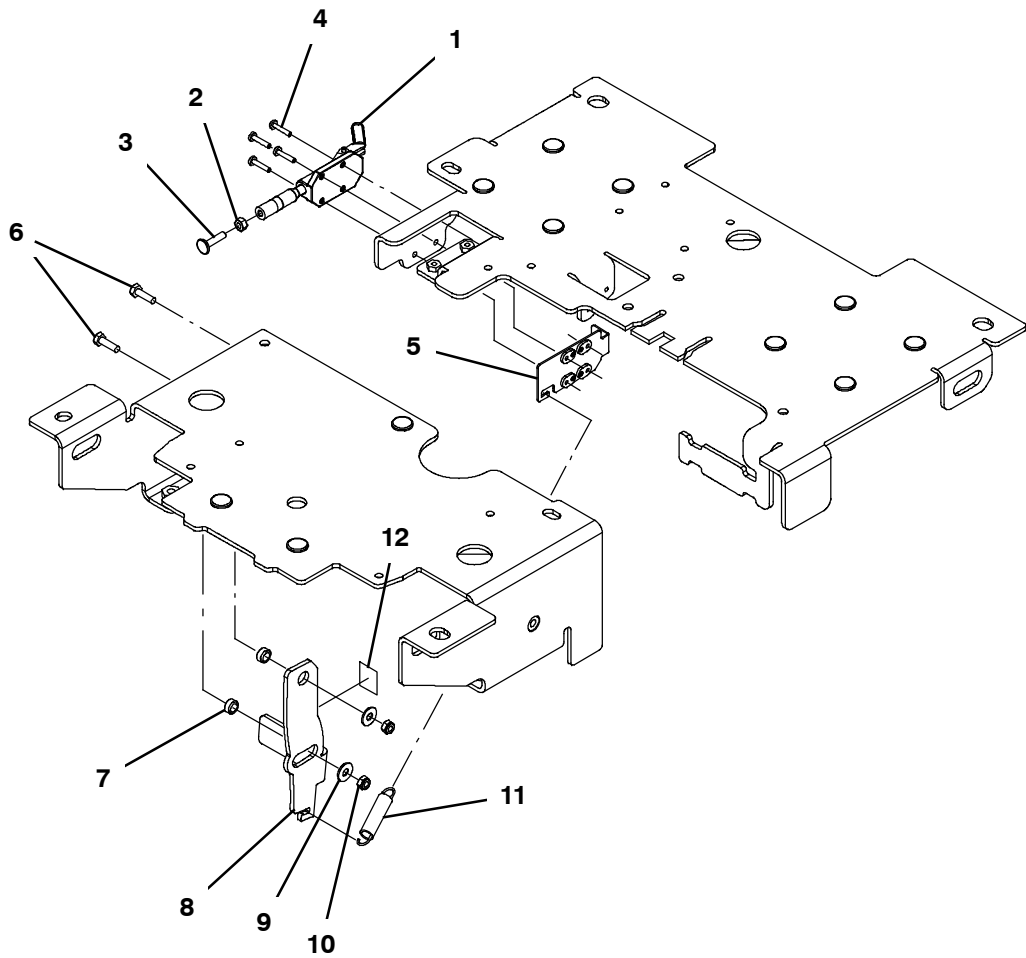
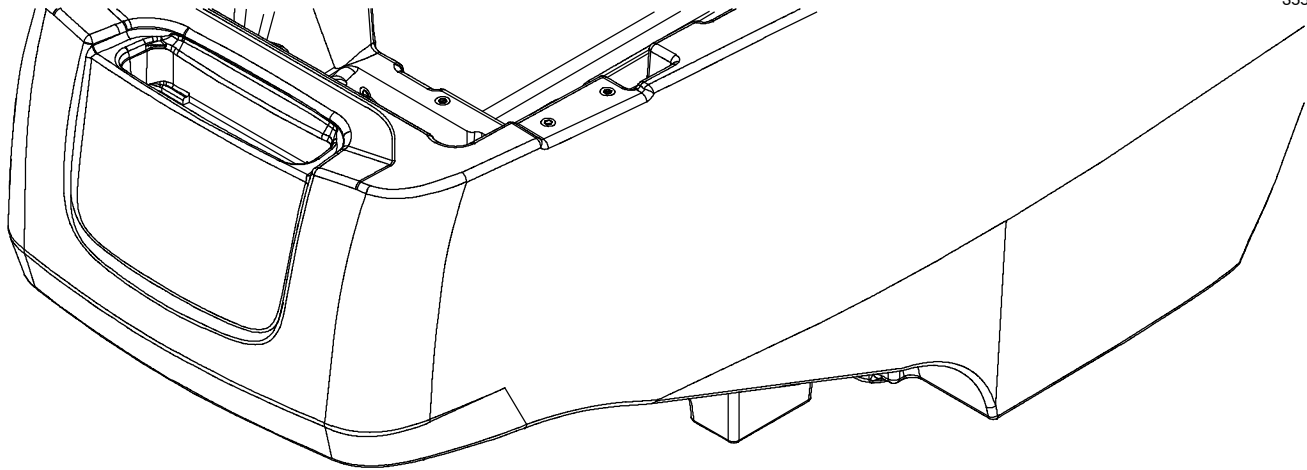
Ref.	Part No.	Serial Number	Description	Qty.
▽	1	9020643	(10983853- 20000000) Module Kit, Replmt [Ec- H2o, B 02] (Canada Also Requires Ferrite)	1
▽	1	9011810	(10000000- 10983852) Module Kit, Replmt [Ec- H2o, B 02] (See Breakdowns) (Canada Also Requires Ferrite) (Replaced By 9020643)	1
▲	2	9013646	(10000000- 20000000) Cartridge, Ec- H2o Nanoclean Wcm, 270ml	1
	3	1034731	(10000000- 20000000) Screw, Hex, M6 X 1.00 X 16, Sems, Ss	4
	4	1215186	(10000000- 20000000) Fitting, Plstc, E90, Qf06/Qm06	1
	5	9014146	(10000000- 20000000) Hose, Afmkt, Pvc, 0.06id .38od, 05ft	1
	6	1214339	(10000000- 20000000) Fitting, Plstc, E90, Qfo4/Qm04	1
	7	9014147	(10000000- 20000000) Hose, Afmkt, Pvc, 0.06id .25od, 05ft	1
	8	1221926	(10000000- 20000000) Bracket Wldt, Mtg, Ec- H20 [T500]	1
	9	1216973	(10000000- 20000000) Pump Assy, Dispenser	1
	10	130773	(10000000- 20000000) Tie, Cable, Nyl, 11.0l, .14w, 3.0 Max. D	3
	11	1212573	(10000000- 20000000) Fitting, Plstc, Tee, Qf06/Qf06/Qf06	1
	12	9014148	(10000000- 20000000) Hose, Afmkt, Nat, 0.25id 0.375od, 06ft	1
	13	1212855	(10000000- 20000000) Fitting, Plstc, Tee, Qf04/Qf06/Qf06	2
	14	1212856	(10000000- 10903170) Fitting, Plstc, E90, Qf06/Qf06	1
	15	1215186	(10000000- 20000000) Fitting, Plstc, E90, Qf06/Qm06	1
	16	1216185	(10000000- 20000000) Fitting, Plstc, Str, Qm04/Pm02	1
	17	150307	(10000000- 20000000) Fitting, Brs, Cplg, Pf02/Pf02	1
	18	1044414	(10000000- 20000000) Switch, Press, 15psi, Pm02	1
	19	1215527	(10000000- 20000000) Valve, Check, 1.0 Psi Qf06/Qf06	1
	20	1212809	(10000000- 20000000) Fitting, Plstc, E90, Qf08/Qm08	1
	21	9014145	(10000000- 20000000) Hose, Afmkt, Pe, .375id .50od, 05ft	1
	22	1212875	(10000000- 20000000) Fitting, Plstc, Tee, Qf06/Qf08/Qf08	1
	23	1014985	(10000000- 20000000) Hose, Afmkt, Pvc, Clr, 0.25id, 08ft	1
	24	1210517	(10000000- 20000000) Pump, Soltn, Ele, 24vdc, 35 Psi	1
	25	43555	(10000000- 20000000) Clamp, Hose, Wormdrive, 2.62- 3.50d	1
	26	1212812	(10000000- 20000000) Fitting, Plstc, E90, Qf06/Pm06, Swivel	2
	27	1212875	(10000000- 20000000) Fitting, Plstc, Tee, Qf06/Qf08/Qf08	1
	28	613735	(10000000- 20000000) Clamp, Hose, Wir, .40 - .42, Yel	3
	29	1039557	(10000000- 20000000) Fitting, Plstc, Str, Bm04/Bm06	1
	30	607775	(10000000- 20000000) Clamp, Hose, Wir, .63 - .66, Blk	1
	31	1044393	(10000000- 20000000) Switch, Rocker, Spst, Mom	1
	32	1064187	(10000000- 20000000) Circuitbreaker, 10.0a, Resetable	1
	33	1064191	(10000000- 20000000) Boot, Circuitbreaker	1
	34	1228510	(10000000- 20000000) Relay, 24vdc, 80a, Spst No, Plug- In	1
	35	01683	(10000000- 20000000) Washer, Flat, 10, Ss	1
	36	09739	(10000000- 20000000) Nut, Hex, Lock, M5 X 0.80, Ni, Ss	1
	37	1212857	(10000000- 20000000) Fitting, Plstc, Str, Qm06/Bm04	2
	38	130773	(10000000- 20000000) Tie, Cable, Nyl, 11.0l, .14w, 3.0 Max. D	1
	39	41140	(10000000- 20000000) Washer, Lock, Int- Ext, 0.25	1
	40	1210807	(10865727- 20000000) Wire, Tie [W/.25" Fir Tree Clip]	1
	41	1065665	(10000000- 20000000) Inductor, 32.3mml [Ferrite 10- 250mhz] (Canada Only)	1

▽ ASSEMBLY

▲ INCLUDED IN ASSEMBLY

PARKING BRAKE GROUP

355496



PARKING BRAKE GROUP

Ref.	Part No.	Serial Number	Description	Qty.
1	1221694	(10000000- 20000000)	Clamp, Brake, Parking [T500]	1
2	07785	(10000000- 20000000)	Nut, Hex, Std, M6 X 1.00, Ss	1
3	1017416	(10000000- 20000000)	Screw, Weld, M6 X 1.00 X 25, Thru, Ss	1
4	12323	(10000000- 20000000)	Screw, Pan, Phl, M4 X 0.70 X 20, Ss	4
5	1221695	(10000000- 20000000)	Plate Wldt, Brake [T500]	1
6	08716	(10000000- 20000000)	Screw, Hex, M6 X 1.00 X 20, Ss	2
7	360801	(10000000- 20000000)	Sleeve, 0.32b 0.50d 0.3l, 2cham, Ss	2
8	1221423	(10000000- 20000000)	Shoe, Brake, Parking	1
9	01684	(10000000- 20000000)	Washer, Flat, 0.27b 0.69d .05, Ss	2
10	08712	(10000000- 20000000)	Nut, Hex, Lock, M6 X 1.00, NI, Ss	2
11	75575	(10000000- 20000000)	Spring, Extn, 0.50od 0.06wir 02.5l	1
12	1224990	(10000000- 20000000)	Label, Opertnl, Parking Brake	1

OPTIONS

DOCUMENTATION GROUP (ONLINE ONLY)

Ref.	Part No.	Serial Number	Description	Qty.
	9015512	(10000000- 20000000)	Manual, Parts [Speed Scrub 500]	1
	9015513	(10000000- 20000000)	Manual, Oprtr [Speed Scrub 500, En]	1
	9015514	(10000000- 20000000)	Manual, Oprtr [Speed Scrub 500, Es]	1
	9015515	(10000000- 20000000)	Manual, Oprtr [Speed Scrub 500, Fr]	1
	9015516	(10000000- 20000000)	Instr, Wall Chart [Speed Scrub 500]	1
	9015517	(10000000- 20000000)	Manual, Service [Speed Scrub 500, En]	1

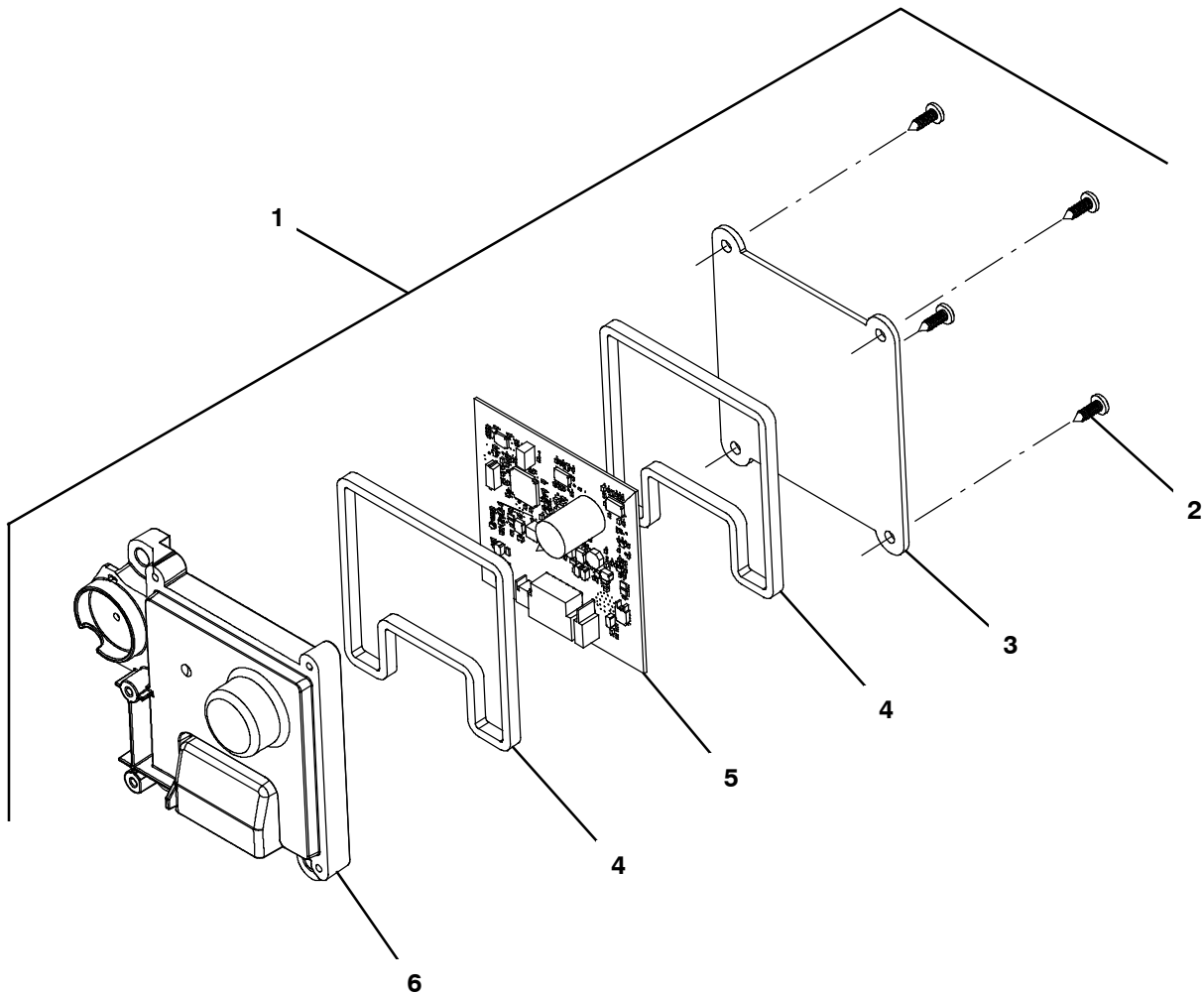


To view, print, order, download the latest Parts manual, other language Operator manuals, and Use and Care Guides (wall charts), visit:

www.nobles.com/manuals

AUTOMATIC BATTERY WATERING MODULE BREAKDOWN

355564



	Ref.	Part No.	Serial Number	Description	Qty.
▽	1	9016770*	(10995399- 20000000)	Controller Kit, Battery, 24vdc, Ci [Abw]	1
▽	1	9018008	(10000000- 10995398)	Kit, Module, Abw, Ci (Replaced By 9016770)	1
▲	2	1018155	(10000000- 20000000)	Screw, Pan, Phl, M5 X 0.80 X 16, Tcut, Ss	4
▲	3	1223055	(10000000- 20000000)	Panel, Mtg, Fill, Auto, Battery	1
▲	4	1223286	(10000000- 20000000)	Seal, Cover, Board, Battery Watering	2
▲	5	1220931	(10000000- 20000000)	Circuitboard Assy [Abw Module]	1
▲	6	1223261	(10000000- 20000000)	Cover, Circuitboard, Battery Watering	1

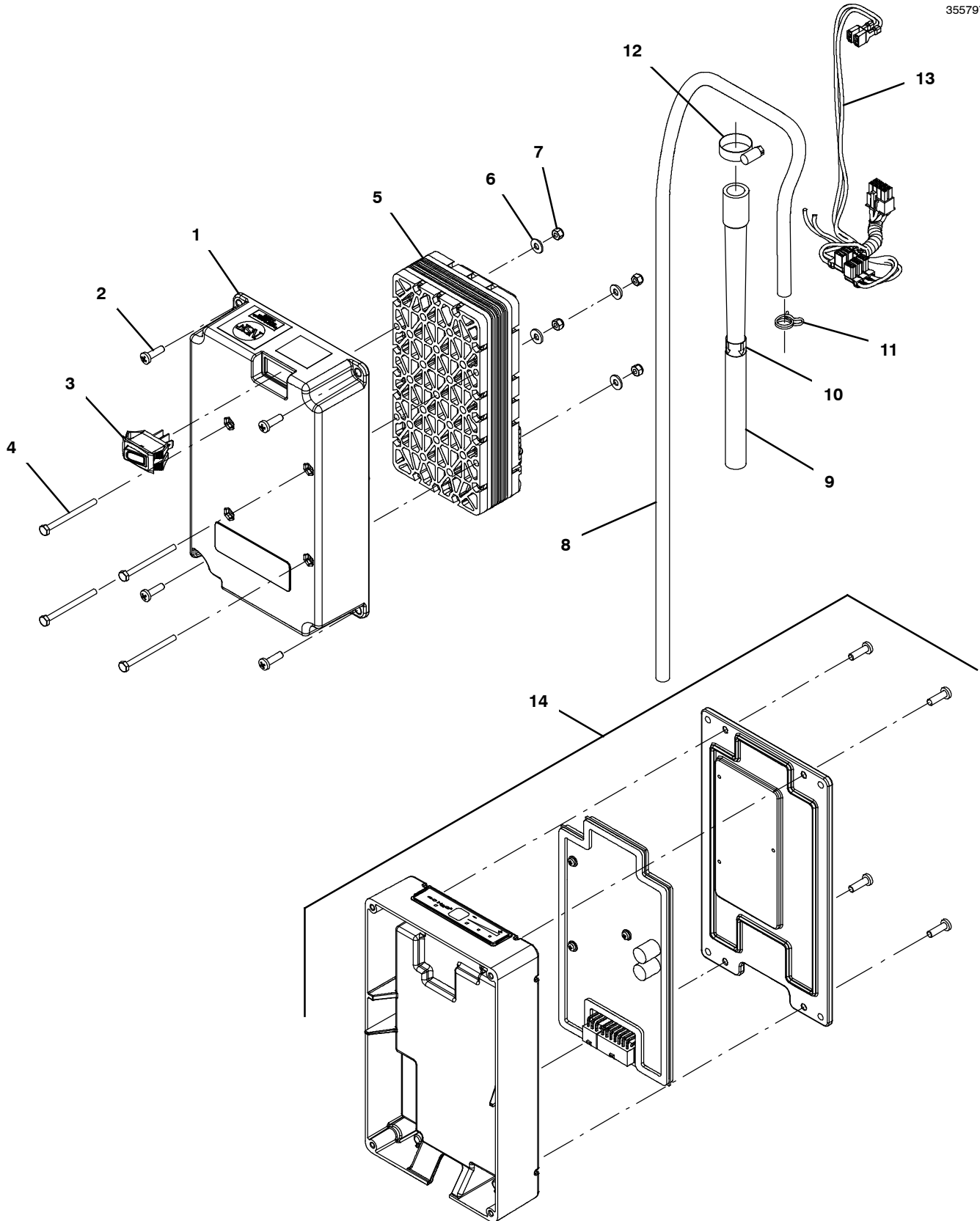
*** Requires Tennant *True* service or an authorized Tennant service provider.**

▽ ASSEMBLY

▲ INCLUDED IN ASSEMBLY

ec-H2O NANOCLEAN MODULE BREAKDOWN 9020643
(S/N 10983853 -)

355797



**ec- H2O NANOCLEAN MODULE BREAKDOWN 9020643
(S/N 10983853 -)**

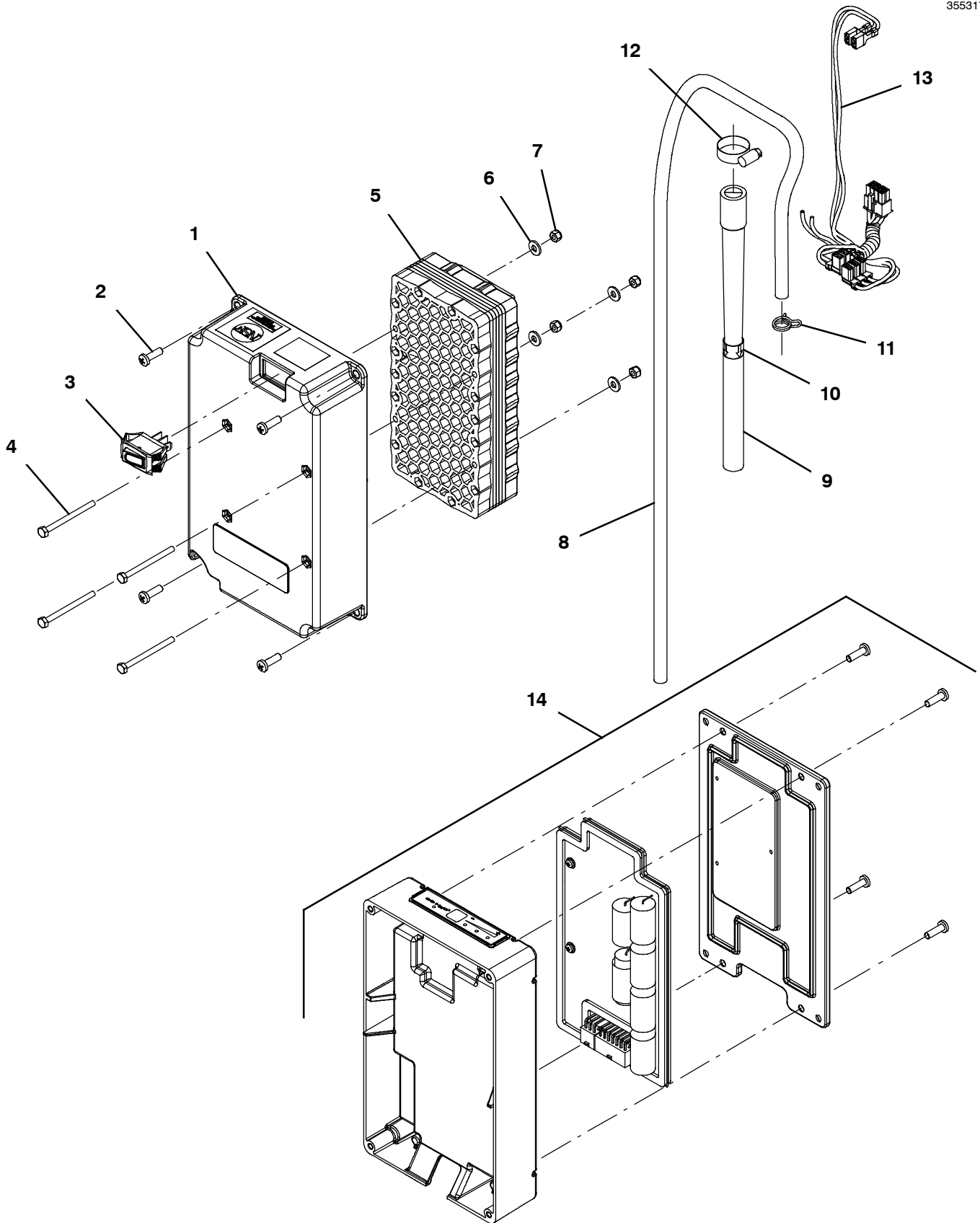
	Ref.	Part No.	Serial Number	Description	Qty.
▽		9020643	(10983853- 20000000)	Module Kit, Replmt [Ec- H2o, B 02] (Includes ec- H2O NanoClean Cartridge)	1
▲▽		9014126	(10000000- 20000000)	Ec- H2o Nc Kit [Module B, Plumbing]	1
▲▲	1	1208823	(10000000- 20000000)	Housing, Module, Upper, Ec- H2o	1
▲▲	2	1015506	(10000000- 20000000)	Screw, Pan, Phl, M5 X 16, Tcut [Plastic]	4
▲▲	3	1044393	(10000000- 20000000)	Switch, Rocker, Spst, Mom	1
▲▲	4	32509	(10000000- 20000000)	Screw, Hex, M4 X 0.70 X 50, Ss	4
▲▲	5	1233516	(10983853- 20000000)	Electrode, 5 Plate [De Nora Tech]	1
▲▲	6	41579	(10000000- 20000000)	Washer, Flat, 08, Ss	4
▲▲	7	33932	(10000000- 20000000)	Nut, Hex, Lock, M4 X 0.70, NI, Ss	4
▲▲	8	1006415	(10000000- 20000000)	Hose, Afrmkt, Pvc, Clr, 0.25id, 03ft	1
▲▲	9	1208526	(10000000- 20000000)	Hose, Molded, Bm08/Bm06	1
▲▲	10	1049637	(10000000- 20000000)	Label, Direction [Ec- H2o]	1
▲▲	11	613735	(10000000- 20000000)	Clamp, Hose, Wir, .40 - .42, Yel	1
▲▲	12	54333	(10000000- 20000000)	Clamp, Hose, Wormdrive, 0.31- 0.88d, .31w	1
▲▲	13	1073286	(10000000- 20000000)	Harness, Ele, Module B2 [Ec- H2o]	1
▲	14	9020642	(10983853- 20000000)	Controller Kit, Replmt [Ec- H2o Nc] (Includes ec- H2O NanoClean Cartridge)	1

▽ ASSEMBLY

▲ INCLUDED IN ASSEMBLY

ec- H2O NANOCLEAN MODULE BREAKDOWN 9011810
(S/N 10000000 - 10983852)

355317



**ec- H2O NANOCLEAN MODULE BREAKDOWN 9011810
(S/N 10000000 - 10983852)**

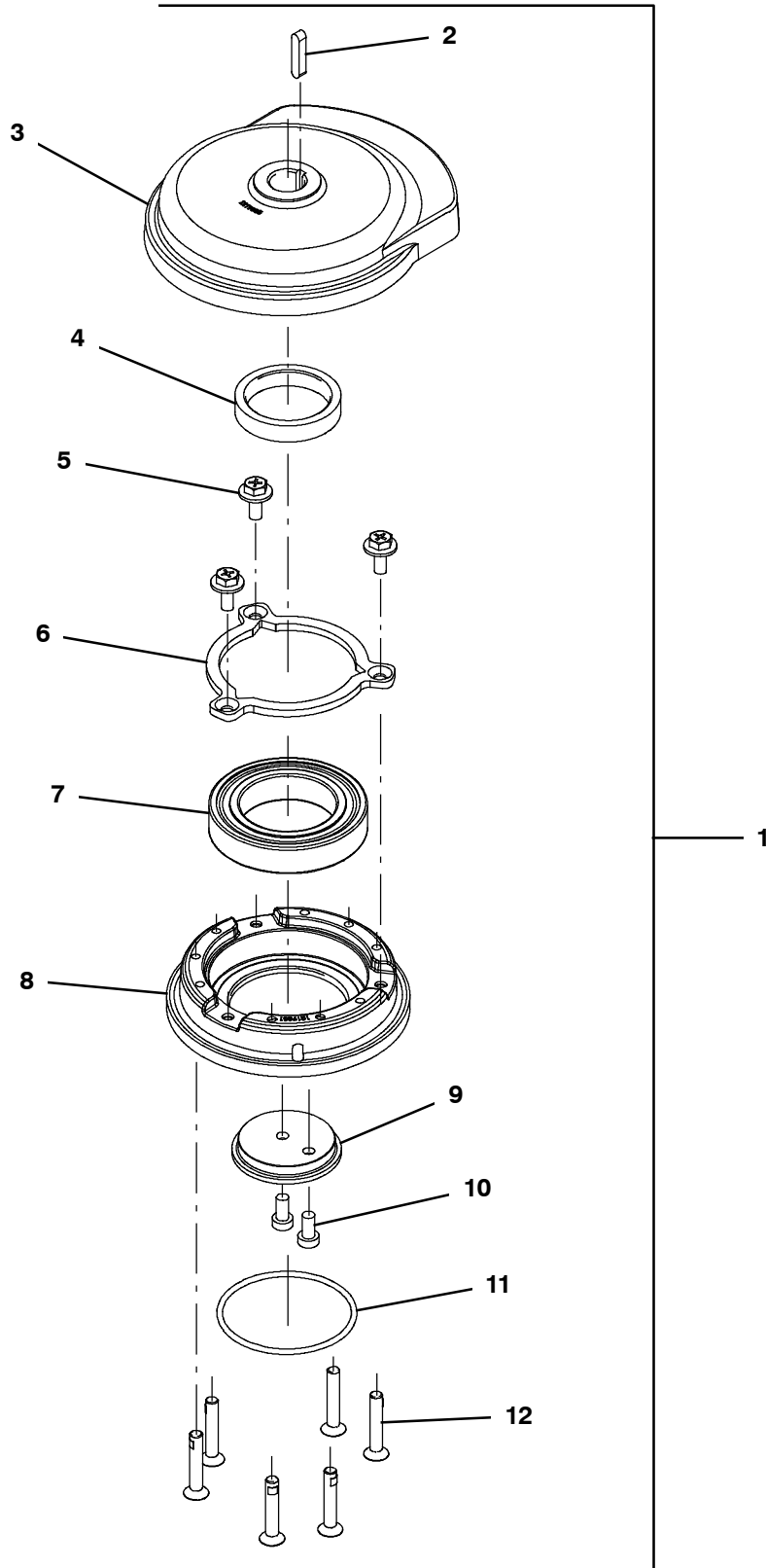
	Ref.	Part No.	Serial Number	Description	Qty.
▽		9011810	(10000000- 10983852)	Module Kit, Replmt [Ec- H2o, B 02] (Includes ec- H2O NanoClean Cartridge) (Replaced By 9020643)	1
▲▽		9014126	(10000000- 20000000)	Ec- H2o Nc Kit [Module B, Plumbing]	1
▲▲	1	1208823	(10000000- 20000000)	Housing, Module, Upper, Ec- H2o	1
▲▲	2	1015506	(10000000- 20000000)	Screw, Pan, Phl, M5 X 16, Tcut [Plastic]	4
▲▲	3	1044393	(10000000- 20000000)	Switch, Rocker, Spst, Mom	1
▲▲	4	32509	(10000000- 20000000)	Screw, Hex, M4 X 0.70 X 50, Ss	4
▲▲	5	1208164	(10000000- 10983852)	Electrode, 5 Plate, High Flow (Replaced By 1233516)	1
▲▲	6	41579	(10000000- 20000000)	Washer, Flat, 08, Ss	4
▲▲	7	33932	(10000000- 20000000)	Nut, Hex, Lock, M4 X 0.70, NI, Ss	4
▲▲	8	1006415	(10000000- 20000000)	Hose, Afrmkt, Pvc, Clr, 0.25id, 03ft	1
▲▲	9	1208526	(10000000- 20000000)	Hose, Molded, Bm08/Bm06	1
▲▲	10	1049637	(10000000- 20000000)	Label, Direction [Ec- H2o]	1
▲▲	11	613735	(10000000- 20000000)	Clamp, Hose, Wir, .40 - .42, Yel	1
▲▲	12	54333	(10000000- 20000000)	Clamp, Hose, Wormdrive, 0.31- 0.88d, .31w	1
▲▲	13	1073286	(10000000- 20000000)	Harness, Ele, Module B2 [Ec- H2o]	1
▲	14	9014127	(10000000- 10983852)	Controller Kit, Replmt [Ec- H2o Nc] (Includes ec- H2O NanoClean Cartridge) (Replaced By 9020642)	1

▽ ASSEMBLY

▲ INCLUDED IN ASSEMBLY

ORBITAL HEAD ECCENTRIC DRIVE BREAKDOWN

355477



ORBITAL HEAD ECCENTRIC DRIVE BREAKDOWN

	Ref.	Part No.	Serial Number	Description	Qty.
▽	1	9015774	(10000000- 20000000)	Eccentric Drive Kit, Orbital	1
▲	2	1231238	(10000000- 20000000)	Key, Sq, 5mm X 5mm X 22mm	1
▲	3	N/A	(10000000- 20000000)	Balance, Eccentric, Step [Machined]	1
▲	4	N/A	(10000000- 20000000)	Spacer, Eccentric	1
▲	5	N/A	(10000000- 20000000)	Screw, Hex, M6 X 1.00 X 16, Sems	3
▲	6	N/A	(10000000- 20000000)	Plate, Retainer, Brg, Outer	1
▲	7	1220452	(10000000- 20000000)	Bearing, Ball, 2.17b 3.54d .71w	1
▲	8	N/A	(10000000- 20000000)	Housing, Bearing, Outer [Machined]	1
▲	9	N/A	(10000000- 20000000)	Retainer, Bearing, Inner [Qpq]	1
▲	10	N/A	(10000000- 20000000)	Screw, Soc, M6 X 1.00 X 12, 8.8, Low	2
▲	11	1221394	(10000000- 20000000)	Seal, Org, .125 X 02.63id	1
▲	12	1212710	(10000000- 20000000)	Screw, Flt, Soc, M6 X 1.00 X 35, 10.9,NI	6

▽ ASSEMBLY

▲ INCLUDED IN ASSEMBLY