



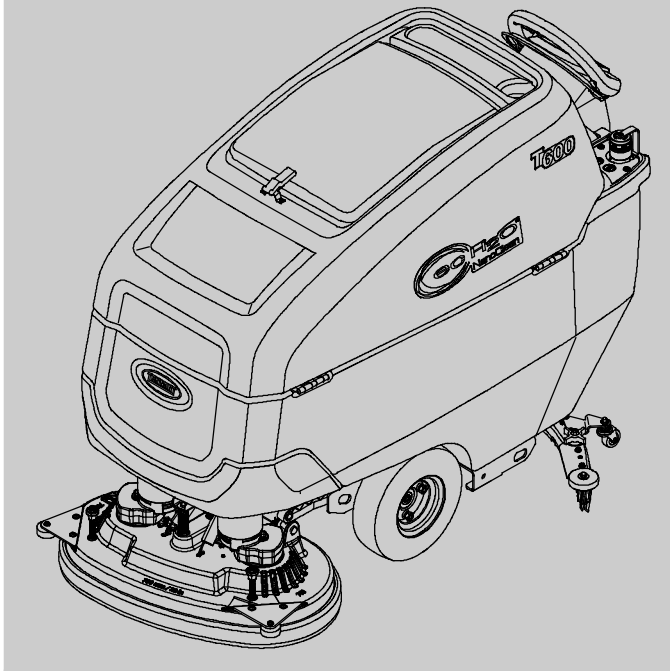
T600e/T600

Walk-Behind Floor Scrubber

Parts Manual



(S/N 10000000-20000000)



Hygenic[®] Fully Cleanable Recovery Tank
TennantTrue[®] Parts
IRIS[®] a Tennant Technology
Pro-Panel[®] Controls
Insta-Fit[™] Adapter
Smart-Fill[™] Automatic Battery Watering



North America / International

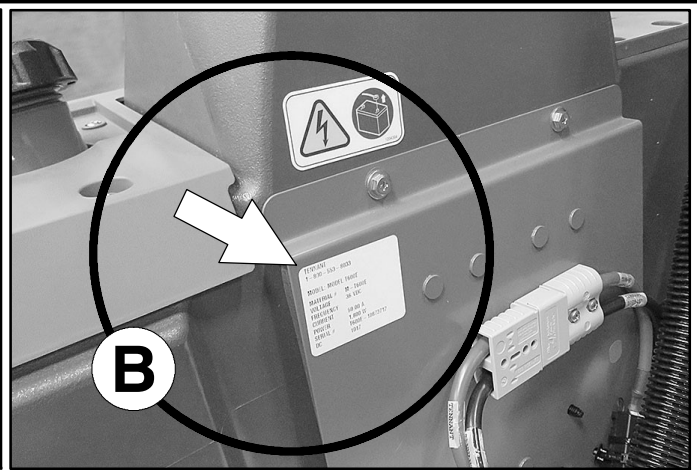
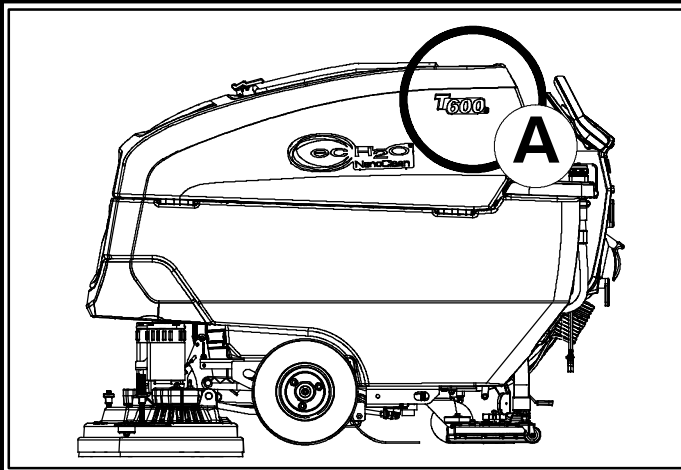


For the latest Parts manuals and other language Operator manuals, visit:

www.tennantco.com/manual

9016599
Rev. 04 (06-2021)





Ref	Part No.	Serial Number	Description	Qty.
1	82681	(000000-)	Bracket Wldt, Lpg Mount	1
∇ 2	63810	(000000-)	Latch Assy, Lpg Tank Mtg, W/Nut	4
▲ 3	51839	(000000-)	Nut Adjustable, Lpg Tank Mtg	2
4	49263	(000000-)	Tie, Cable	3
(D)	82556	(000000- 001039)	Bracket, Vaporizer	1
	54930	(000000-)	Vaporizer, LPG	1

HOW TO ORDER PARTS - See diagram above

Only use TENNANT Company supplied or equivalent parts. Parts and supplies may be ordered online, by phone, by fax or by mail.

Follow the steps below to ensure prompt delivery.

1. (A) Identify the machine model.
2. (B) Identify the machine serial number from the data label.
3. (C) Ensure the proper serial number is used from the parts list.
4. Identify the part number and quantity.
Do not order by page or reference numbers.
5. Provide your name, company name, customer ID number, billing and shipping address, phone number and purchase order number.
6. Provide detail shipping instructions.

- (D) ∇ - identifies an assembly
 ▲ - identifies parts included in assembly

Please fill out at time of installation for future reference.

Model No. - _____

Serial No. - _____

Machine Options - _____

Sales Rep. - _____

Sales Rep. phone no. - _____

Customer ID Number - _____

Installation Date - _____

Tennant Company
 10400 Clean Street
 Eden Prairie, MN 55344-2650 USA
 Phone: (800) 553-8033
 www.tennantco.com

Specifications and parts are subject to change without notice.

Copyright © 2018 - 2021 TENNANT Company, Printed in U.S.A.

ES	<p>CÓMO SOLICITAR PIEZAS - Consulte el diagrama anterior.</p> <p>Utilice sólo las piezas suministradas por TENNANT Company o piezas equivalentes. Puede solicitar las piezas a través de internet, por teléfono, por fax o por correo.</p> <p>Siga los siguientes pasos para que la entrega sea rápida.</p> <ol style="list-style-type: none"> 1. (A) Indique el modelo de máquina. 2. (B) Indique el número de serie de la etiqueta de datos. 3. (C) Asegúrese de que indica el número de serie correcto de la lista de piezas. 4. Indique la cantidad y el número de la pieza. No realice el pedido indicando el número de página o el de referencia. 5. Incluya su nombre, el nombre de la empresa, el ID de cliente, las direcciones de envío y facturación, el número de teléfono y el número del pedido de compra. 6. Facilite instrucciones de envío. <hr/> <p>(D) ▽ - identifica un conjunto ▲ - identifica piezas de un conjunto</p>	<p>Rellene estos datos cuando realice la instalación para utilizarlos como referencia en el futuro.</p> <p>Nº modelo - _____</p> <p>Nº serie - _____</p> <p>Opciones de la máquina - _____</p> <p>Vendedor - _____</p> <p>Nº teléfono vendedor - _____</p> <p>Nº cliente - _____</p> <p>Fecha de instalación - _____</p>
-----------	---	---

FR	<p>COMMENT COMMANDER DES PIÈCES DÉTACHÉES - Voir le schéma ci-dessus.</p> <p>Utilisez uniquement des pièces fournies par la société TENNANT ou équivalentes. Les pièces et fournitures peuvent être commandées en ligne, par téléphone, fax, ou par courrier.</p> <p>Suivez les étapes ci-dessous pour assurer une livraison rapide.</p> <ol style="list-style-type: none"> 1. (A) Identifiez le modèle de la machine. 2. (B) Identifiez le numéro de série de la machine, à partir de l'étiquette signalétique. 3. (C) Assurez-vous que le numéro de série correct est utilisé à partir de la liste de pièces détachées. 4. Identifiez le numéro de pièce et la quantité. Ne commandez pas par page ou numéros de référence. 5. Fournissez votre nom, le nom de votre société, votre numéro d'identification de client, l'adresse de facturation et d'expédition, le numéro de téléphone et le numéro du bon de commande. 6. Fournissez des instructions d'expédition détaillées. <hr/> <p>(D) ▽ - identifie un assemblage ▲ - identifie les pièces composant l'assemblage</p>	<p>A remplir au moment de l'installation à titre de référence.</p> <p>Nº du modèle - _____</p> <p>Nº de série - _____</p> <p>Opciones de la machine - _____</p> <p>Agent commercial - _____</p> <p>Nº tél. de l'agent commercial - _____</p> <p>Numéro d'identification client - _____</p> <p>Date d'installation - _____</p>
-----------	---	--

STANDARD PARTS

GENERAL RECOMMENDED MAINTENANCE ITEMS	7	LOWER CONSOLE GROUP, ON- BOARD CHARGER (LITHIUM- ION)	58
REPLACEMENT BRUSHES AND PAD DRIVER DISK	10	LOWER CONSOLE GROUP, OFF- BOARD CHARGER	60
REPLACEMENT BRUSHES CYLINDRICAL	12	LOWER CONSOLE GROUP, OFF- BOARD CHARGER (LITHIUM- ION)	62
REPLACEMENT PADS ORBITAL	13	CONSOLE HANDLE, MEMBRANE PANEL (T600e MODEL)	64
SCRUB HEAD GROUP, DISK 700MM / 28IN ...	14	CONSOLE HANDLE, PRO- MEMBRANE PANEL (T600 MODEL)	66
SCRUB HEAD GROUP, DISK 800MM / 32IN ...	16	CONSOLE HANDLE, PRO- PANEL LCD (T600 MODEL)	68
SCRUB HEAD GROUP, DISK 900MM / 36IN ...	18	SQUEEGEE LIFT GROUP	70
SCRUB HEAD GROUP, CYLINDRICAL 700MM / 28IN	20	SQUEEGEE ASSEMBLY, 650MM / 26IN (Intended for 700MM Scrub Head Size) (New Style 9018626)	72
SCRUB HEAD GROUP, CYLINDRICAL 700MM / 28IN - CONT'D	22	SQUEEGEE ASSEMBLY, 650MM / 26IN (Intended for 700MM Scrub Head Size) (Upgraded Style 9018098 - Replaced By 9018626)	74
SCRUB HEAD GROUP, CYLINDRICAL 800MM / 32IN	24	SQUEEGEE ASSEMBLY, 650MM / 26IN (Intended for 700MM Scrub Head Size) (Original Style 9015301 - Replaced By 9018626)	76
SCRUB HEAD GROUP, CYLINDRICAL 800MM / 32IN - CONT'D	26	SQUEEGEE ASSEMBLY, 700MM / 28IN (Intended for 800MM Scrub Head Size) (New Style 9018627)	78
SCRUB HEAD GROUP, ORBITAL 700MM / 28IN	28	SQUEEGEE ASSEMBLY, 700MM / 28IN (Intended for 800MM Scrub Head Size) (Upgraded Style 9018086 - Replaced By 9018627)	80
RECOVERY TANK GROUP	30	SQUEEGEE ASSEMBLY, 700MM / 28IN (Intended for 800MM Scrub Head Size) (Original Style 9015302 - Replaced By 9018627)	82
RECOVERY TANK COVER GROUP	32	SQUEEGEE ASSEMBLY, 800MM / 32IN (Intended for 900MM Scrub Head Size) (New Style 9018628)	84
RECOVERY TANK FILTER AND HOSE GROUP, PINCH TWIST CAP	34	SQUEEGEE ASSEMBLY, 800MM / 32IN (Intended for 900MM Scrub Head Size) (Upgraded Style 9018127 - Replaced By 9018628)	86
SOLUTION TANK GROUP, STANDARD FILL ...	36	SQUEEGEE ASSEMBLY, 800MM / 32IN (Intended for 900MM Scrub Head Size) (Original Style 9015303 - Replaced By 9018628)	88
SOLUTION TANK GROUP, AUTO- FILL	38	STANDARD SOLUTION GROUP	90
STANDARD ELECTRICAL GROUP (T600e MODEL)	40	STANDARD LABEL GROUP	92
STANDARD ELECTRICAL GROUP (T600 MODEL)	42	STANDARD LABEL GROUP (BRAZIL)	93
FRAME AND DRIVE GROUP, WITHOUT PARK LOCK	44		
FRAME AND DRIVE GROUP, WITH PARK LOCK	46		
HEAD LIFT GROUP, DISK	48		
HEAD LIFT GROUP, CYLINDRICAL	50		
HEAD LIFT GROUP, ORBITAL	52		
SHROUD GROUP, DISK AND ORBITAL	54		
SHROUD GROUP, CYLINDRICAL	55		
LOWER CONSOLE GROUP, ON- BOARD CHARGER	56		

TABLE OF CONTENTS

ELECTRICAL DIAGRAM T600e MODEL	94	TELEMETRY GROUP (T600e MODEL)	
ELECTRICAL DIAGRAM T600 MODEL	104	(S/N 11015347 -)	162
ELECTRICAL HARNESS, MAIN T600e MODEL		TELEMETRY GROUP (T600e MODEL)	
(S/N 11011883 -)	114	(S/N 10000000 - 11015346)	164
ELECTRICAL HARNESS, MAIN T600e MODEL		TELEMETRY GROUP (T600 MODEL)	166
(S/N 10000000 - 11011882)	119	ec-H2O SOLUTION GROUP	168
ELECTRICAL HARNESS, OPERATOR STATION		SEVERE ENVIRONMENT SOLUTION GROUP	
T600e MODEL (S/N 11011883 -)	124	(T600 MODEL)	170
ELECTRICAL HARNESS, OPERATOR STATION		RECOVERY TANK RINSE, WITH CONVENTIONAL	
T600e MODEL (S/N 10000000 - 11011882) ..	126	(T600 MODEL)	172
ELECTRICAL HARNESS, MAIN T600 MODEL		RECOVERY TANK RINSE, WITH ec- H2O	
(S/N 11011872 -)	128	(T600 MODEL)	174
ELECTRICAL HARNESS, MAIN T600 MODEL		RECOVERY TANK HOSE GROUP, VALVE	176
(S/N 10000000 - 11011871)	133	SOLUTION TANK AUTO-FILL KIT	178
ELECTRICAL HARNESS, OPERATOR STATION		TALL WET FLOOR SIGN HANGER KIT	179
T600 MODEL	138	TRANSPORT KIT	180
ELECTRICAL HARNESS, BAIL SWITCH	140	SEVERE ENVIRONMENT LOCKOUT KIT	
		(T600 MODEL)	181
OPTIONS		DOCUMENTATION GROUP	182
BATTERY GROUP, WET 210AH	142		
BATTERY GROUP, WET 240AH	144	BREAKDOWNS	
BATTERY GROUP, WET 360AH	146	ec- H2O NANOCLEAN MODULE BREAKDOWN	
BATTERY GROUP, TPPL 210AH		9020643 (S/N 10997531 -)	184
(FAST CHARGE)	148	ec- H2O NANOCLEAN MODULE BREAKDOWN	
BATTERY GROUP, LITHIUM- ION, 36V, 10.2KWH		9011810 (S/N 10000000 - 10997530)	186
(5 PACK)	150	ORBITAL HEAD ECCENTRIC DRIVE	
BATTERY GROUP, LITHIUM- ION, 36V, 8.2KWH		BREAKDOWN	188
(4 PACK)	151		
BATTERY GROUP, LITHIUM- ION, 36V, 4.1KWH			
(2 PACK)	152		
BATTERY LIFT GROUP, LITHIUM- ION	153		
SMART-FILL™ AUTOMATIC BATTERY WATERING			
GROUP (S/N 11011872 -)	154		
SMART-FILL™ AUTOMATIC BATTERY WATERING			
GROUP (S/N 10000000 - 11011871)	156		
MANUAL BATTERY WATERING SYSTEM			
(S/N 11011759 -)	158		
HYDROLINK® MANUAL BATTERY WATERING			
KIT (S/N 10000000 - 11011758)	160		

RECOMMENDED MAINTENANCE ITEMS

GENERAL RECOMMENDED MAINTENANCE ITEMS

Part No.	Serial Number	Description	Qty.
1246592	(10000000- 20000000)	Brush Assy, Disk, Scb, 14.0d, Pyp	2
1246591	(10000000- 20000000)	Brush Assy, Disk, Scb, 14.0d, Nyl	2
1246593	(10000000- 20000000)	Brush Assy, Disk, Scb, 14.0d, Sab	2
1246596	(10000000- 20000000)	Brush Assy, Disk, Scb, 16.0d, Pyp	2
1246598	(10000000- 20000000)	Brush Assy, Disk, Scb, 16.0d, Hd Pyp	2
1246595	(10000000- 20000000)	Brush Assy, Disk, Scb, 16.0d, Nyl	2
1246597	(10000000- 20000000)	Brush Assy, Disk, Scb, 16.0d, Sab	2
1246601	(10000000- 20000000)	Brush Assy, Disk, Scb, 18.0d, Pyp	2
1246600	(10000000- 20000000)	Brush Assy, Disk, Scb, 18.0d, Nyl	2
1246602	(10000000- 20000000)	Brush Assy, Disk, Scb, 18.0d, Sab	2
1243657	(10000000- 20000000)	Pad, Stripping, 14.0d Brown [1pick=1ctn]	2
1243344	(10000000- 20000000)	Pad, Scb, 14.0d, Blu [1pick=1ctn]	2
1243656	(10000000- 20000000)	Pad, Buff, 14.0d Red [1pick=1ctn]	2
1243343	(10000000- 20000000)	Pad, Polish, 14.0d, White [1pick=1ctn]	2
1243658	(10000000- 20000000)	Pad, Strip, 14.0d Blk[Hi Prod1pick=1ctn]	2
1243667	(10000000- 20000000)	Pad, Surf Prep, 14.0d Maroon[1pick=1ctn]	2
1240389	(10000000- 20000000)	Pad, Polish, 14.0d, Yel [1pick=1ctn]	2
1243685	(10000000- 20000000)	Pad, Stripping, 16.0d, Brn [1pick=1ctn]	2
1243354	(10000000- 20000000)	Pad, Scb, 16.0d, Blu [1pick=1ctn]	2
1243355	(10000000- 20000000)	Pad, Buff, 16.0d, Red [1pick=1ctn]	2
1243356	(10000000- 20000000)	Pad, Polish, 16.0d, White [1pick=1ctn]	2
1243659	(10000000- 20000000)	Pad, Strip, 16.0d Blk[Hi Prod1pick=1ctn]	2
1243668	(10000000- 20000000)	Pad, Surf Prep, 16.0d Maroon[1pick=1ctn]	2
1240390	(10000000- 20000000)	Pad, Polish, 16.0d, Yel [1pick=1ctn]	2
1243724	(10000000- 20000000)	Pad, Stripping, 18.0d, Brn [1pick=1ctn]	2
1243335	(10000000- 20000000)	Pad, Scb, 18.0d, Blu [1pick=1ctn]	2
1243336	(10000000- 20000000)	Pad, Buff, 18.0d, Red [1pick=1ctn]	2
1243337	(10000000- 20000000)	Pad, Polish, 18.0d, White [1pick=1ctn]	2
1243660	(10000000- 20000000)	Pad, Strip, 18.0d Blk[Hi Prod1pick=1ctn]	2
1240392	(10000000- 20000000)	Pad, Polish, 18.0d, Yel [1pick=1ctn]	2
222304	(10000000- 20000000)	Brush, Scb, 28l, 18sr, Pyp, Spl	2
374041	(10000000- 20000000)	Brush, Scb, 28l, 18sr, Hd Pyp, Spl	2
222305	(10000000- 20000000)	Brush, Scb, 28l, 18sr, Nyl, Spl	2
222306	(10000000- 20000000)	Brush, Scb, 28l, 18sr, Abr, Spl	2
222307	(10000000- 20000000)	Brush, Scb, 32l, 18sr, Pyp, Spl [Grout]	2
374042	(10000000- 20000000)	Brush, Scb, 32l, 18sr, Hd Pyp, Spl	2
222308	(10000000- 20000000)	Brush, Scb, 32l, 18sr, Nyl, Spl	2
222309	(10000000- 20000000)	Brush, Scb, 32l, 18sr, Abr, Spl	2
1223247	(10000000- 20000000)	Pad, Scb, 28 X 14, Blu [1pc=1pad]	1
1244690	(10000000- 20000000)	Pad, Buff, 28 X 14, Red [1pick=1ctn]	1
1223246	(10000000- 20000000)	Pad, Polish, 28 X 14, White [1pc=1pad]	1
1223248	(10000000- 20000000)	Pad, Surf Prep, 28 X 14, Mar [1pc=1pad]	1
1223250	(10000000- 20000000)	Pad, Scb, 28 X 14, Green [1pick=1ctn]	1
1075563	(10000000- 20000000)	Pad, Stripping, 28 X 14, Blk [1pick=1ctn]	1
1240343	(10000000- 20000000)	Pad, Polish, 28 X 14, Yel [1pick=1ctn]	1
1228002	(10000000- 20000000)	Pad, Melamine, 14" X 28" [Case Of 5]	1
1221839	(10000000- 20000000)	Pad, Backer, 28 X 14 (Includes Velcro Fasteners)	1

RECOMMENDED MAINTENANCE ITEMS

GENERAL RECOMMENDED MAINTENANCE ITEMS

	Part No.	Serial Number	Description	Qty.
▽	9015734	(10000000- 20000000)	Blade Kit, 650mm, Linatex/Linard (Standard - Intended for 700mm Scrub Head Size)	1
▲	1221585	(10000000- 20000000)	Blade, Sqge, Rear, 1166l, Linatex[650mm] (Standard)	1
▲	1232680	(10000000- 20000000)	Blade, Sqge, Front, 1072l Linard[650mm] (Standard)	1
▽	9015735	(10000000- 20000000)	Blade Kit, 650mm, Urethane (Option - Intended for 700mm Scrub Head Size)	1
▲	1228909	(10000000- 20000000)	Blade, Sqge, Rear, 1136l,Urethane[650mm] (Option)	1
▲	1228915	(10000000- 20000000)	Blade, Sqge, Front,1072l,Urethane[650mm] (Option)	1
▽	9015733	(10000000- 20000000)	Blade Kit, 650mm, Gum (Option - Intended for 700mm Scrub Head Size)	1
▲	1228910	(10000000- 20000000)	Blade, Sqge, Rear, 1136l, Gum[650mm] (Option)	1
▲	1228919	(10000000- 20000000)	Blade, Sqge, Front, 1072l Gum[650mm] (Option)	1
▽	9015737	(10000000- 20000000)	Blade Kit, 700mm, Linatex/Linard (Standard - Intended for 800mm Scrub Head Size)	1
▲	1221572	(10000000- 20000000)	Blade, Sqge, Rear, 1204l, Linatex[700mm] (Standard)	1
▲	1232679	(10000000- 20000000)	Blade, Sqge, Front, 1148l Linard[700mm] (Standard)	1
▽	9015738	(10000000- 20000000)	Blade Kit, 700mm, Urethane (Option - Intended for 800mm Scrub Head Size)	1
▲	1228904	(10000000- 20000000)	Blade, Sqge, Rear, 1204l,Urethane[700mm] (Option)	1
▲	1228906	(10000000- 20000000)	Blade, Sqge, Front,1148l Urethane[700mm] (Option)	1
▽	9015736	(10000000- 20000000)	Blade Kit, 700mm, Gum (Option - Intended for 800mm Scrub Head Size)	1
▲	1228905	(10000000- 20000000)	Blade, Sqge, Rear, 1204l, Gum[700mm] (Option)	1
▲	1228907	(10000000- 20000000)	Blade, Sqge, Front, 1148l Gum[700mm] (Option)	1
▽	9015740	(10000000- 20000000)	Blade Kit, 800mm, Linatex/Linard (Standard - Intended for 900mm Scrub Head Size)	1
▲	1221115	(10000000- 20000000)	Blade, Sqge, Rear, 1306l, Linatex[800mm] (Standard)	1
▲	1232681	(10000000- 20000000)	Blade, Sqge, Front, 1256l Linard[800mm] (Standard)	1
▽	9015741	(10000000- 20000000)	Blade Kit, 800mm, Urethane (Option - Intended for 900mm Scrub Head Size)	1
▲	1228920	(10000000- 20000000)	Blade, Sqge, Rear, 1306l,Urethane[800mm] (Option)	1
▲	1228922	(10000000- 20000000)	Blade, Sqge, Front,1256l Urethane[800mm] (Option)	1
▽	9015739	(10000000- 20000000)	Blade Kit, 800mm, Gum (Option - Intended for 900mm Scrub Head Size)	1
▲	1228921	(10000000- 20000000)	Blade, Sqge, Rear, 1306l, Gum[800mm] (Option)	1
▲	1228923	(10000000- 20000000)	Blade, Sqge, Front, 1256l Gum[800mm] (Option)	1
▽	1063103	(10000000- 20000000)	Motor, Ele, 36vdc 200rpm .75hp Gear (T600e Disk Models - Also Requires Ferrites)	2
▲	1066573	(10000000- 20000000)	Vr, Brush Kit, Motor 1 Pick = 4 Pcs	1
▽	1063463	(10000000- 20000000)	Motor, Ele, 36vdc 300rpm 1.0hp Gear (T600 Disk Models - Also Requires Ferrites)	2
▲	1066573	(10000000- 20000000)	Vr, Brush Kit, Motor 1 Pick = 4 Pcs	1
▽	1230332	(10000000- 20000000)	Motor, Ele, 36vdc 1800rpm 0.9hp (Cylindrical Models - Also Requires Ferrites)	2
▲	9011916	(10000000- 20000000)	Vr, Brush Kit, Motor	1
▽	1230329	(10000000- 20000000)	Motor, Ele, 36vdc, 2200rpm, 0.75hp 18.5a (Orbital Models - Also Requires Ferrites)	1
▲	1059370	(10000000- 20000000)	Brush, Motor, Replmt [Bag Of 4)	1
	1232325	(10000000- 20000000)	Bumper, Head, 70cm, Skirt, Im	1
	1232326	(10000000- 20000000)	Bumper, Head, 80cm, Skirt, Im	1
	1226723	(10000000- 20000000)	Bumper, Head, 90cm, Skirt, Im	1

▽ ASSEMBLY

▲ INCLUDED IN ASSEMBLY

RECOMMENDED MAINTENANCE ITEMS

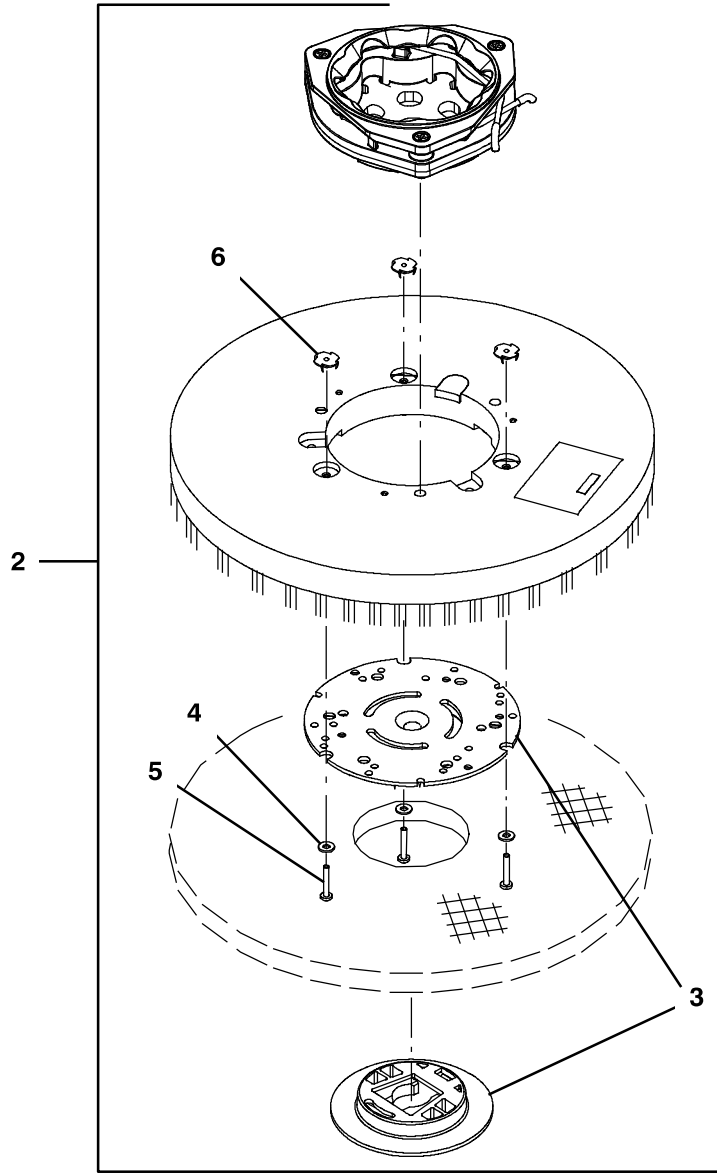
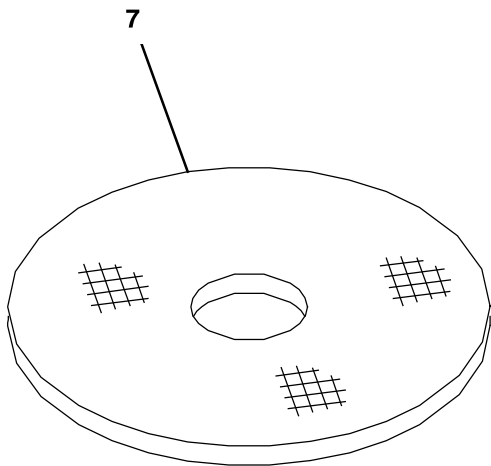
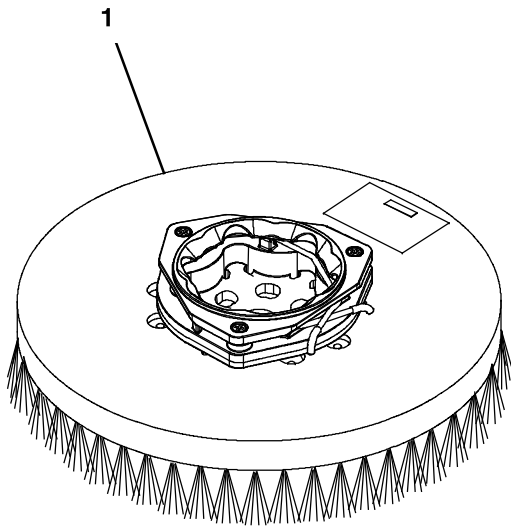
GENERAL RECOMMENDED MAINTENANCE ITEMS

	Part No.	Serial Number	Description	Qty.
▽	9017504	(10000000- 20000000)	Fan Kit, Vacuum, Ci [T600/T600e] (Ferrite Included)	1
▲	1206774	(10000000- 20000000)	Vr, Brush Kit, Motor, Fan	1
	1230171	(10000000- 20000000)	Tray, Debris [T600]	1
	609531	(10000000- 20000000)	Float, Shutoff, Vacuum, 1- Ball, 1.50d	1
	1211537	(10000000- 20000000)	Filter, In- Line [80 Mesh, Fine, White]	1
	222403	(10000000- 20000000)	Wheel, 02.0d 0.88w 0.50b (Disk)	2
	630477	(10000000- 20000000)	Wheel, Pyu, 02.0d 0.38w, Gray (Cylindrical)	6
	1014918	(10000000- 20000000)	Wheel, 03.0d 0.88w 0.31b, W/ Bshg, Rbr (Orbital)	2
	1049046	(10000000- 20000000)	Caster, Swivel, 5.0d 2.0w, 4hole, Gray	2
	1244374	(AUG2020- 20000000)	Tire Assy, Foam, Blk, 4.10/3.5- 06 3.5bc/3bolt (Standard - Non Marking)	2
	1231001	(10940148- JUL2020)	Tire Assy, Foam, 4.10/3.5- 06 3.5bc/3bolt (Standard - Non Marking - Replaced by 1244374)	2
	1236073	(10000000- 10940147)	Tire Assy, Solid, 4.1/3.5- 06 3.5bc/3bolt (Standard) (Replaced By 1244374 - Order Qty2)	2
	1244372	(10944148- 20000000)	Tire Assy, Pneu, Blk, 4.10/3.5- 06 3.5bc (Option)	2
	1059450	(10000000- 10944147)	Tire Assy, Pneu, Blk, 4.10/3.5- 06 3.5bc (Option) (Replaced By 1244372)	2
▽	1243083	(10000000- 20000000)	Vr, Motor Kit, Transaxle [T600/T600e]	1
▲	1072555	(10000000- 20000000)	Vr, Brush Kit, Motor 1072554/1243083	1
▽	9016885	(10000000- 20000000)	Belt Kit, Motor, Afmkt (Includes Qty 2 Belts & Install Tool)	1
▲	1231688	(10000000- 20000000)	Belt, 7 Rib, 19.5l	1
▲	1234733	(10000000- 20000000)	Tool, Installation, Belt	1
▽	9020643*	(10997531- 20000000)	Module Kit, Replmt [Ec- H2o, B 02]	1
	9011810*	(10000000- 10997530)	Module Kit, Replmt [Ec- H2o, B 02] (Replaced By 9020643)	1
▲	9013646	(10000000- 20000000)	Cartridge, Ec- H2o Nanoclean Wcm, 270ml	1
▽	9017498	(10000000- 20000000)	Parts Kit, Maint, Afmkt 650 [T600/E] (For 700MM Scrbd)	1
▲	1230171	(10000000- 20000000)	Tray, Debris [T600]	1
▲	9017507	(10000000- 20000000)	Hose Kit, Drain, Pvc, Ci [T600/T600e]	1
▲	9017505	(10000000- 20000000)	Hose Kit, Recvy, Pvc, Ci [T600/T600e]	1
▲	609531	(10000000- 20000000)	Float, Shutoff, Vacuum, 1- Ball, 1.50d	1
▲	1221585	(10000000- 20000000)	Blade, Sqge, Rear, 1166l, Linatex[650mm]	1
▲	1232680	(10000000- 20000000)	Blade, Sqge, Front, 1072l Linard[650mm]	1
▲	1211537	(10000000- 20000000)	Filter, In- Line [80 Mesh, Fine, White]	1
▽	9017499	(10000000- 20000000)	Parts Kit, Maint, Afmkt 700 [T600/E] (For 800MM Scrbd)	1
▲	1230171	(10000000- 20000000)	Tray, Debris [T600]	1
▲	9017507	(10000000- 20000000)	Hose Kit, Drain, Pvc, Ci [T600/T600e]	1
▲	9017505	(10000000- 20000000)	Hose Kit, Recvy, Pvc, Ci [T600/T600e]	1
▲	609531	(10000000- 20000000)	Float, Shutoff, Vacuum, 1- Ball, 1.50d	1
▲	1221572	(10000000- 20000000)	Blade, Sqge, Rear, 1204l, Linatex[700mm]	1
▲	1232679	(10000000- 20000000)	Blade, Sqge, Front, 1148l Linard[700mm]	1
▲	1211537	(10000000- 20000000)	Filter, In- Line [80 Mesh, Fine, White]	1
▽	9017500	(10000000- 20000000)	Parts Kit, Maint, Afmkt 800 [T600/E] (For 900MM Scrbd)	1
▲	1230171	(10000000- 20000000)	Tray, Debris [T600]	1
▲	9017507	(10000000- 20000000)	Hose Kit, Drain, Pvc, Ci [T600/T600e]	1
▲	9017505	(10000000- 20000000)	Hose Kit, Recvy, Pvc, Ci [T600/T600e]	1
▲	609531	(10000000- 20000000)	Float, Shutoff, Vacuum, 1- Ball, 1.50d	1
▲	1221115	(10000000- 20000000)	Blade, Sqge, Rear, 1306l, Linatex[800mm]	1
▲	1232681	(10000000- 20000000)	Blade, Sqge, Front, 1256l Linard[800mm]	1
▲	1211537	(10000000- 20000000)	Filter, In- Line [80 Mesh, Fine, White]	1

* Requires Tennant *True* service or an authorized Tennant service provider.

REPLACEMENT BRUSHES AND PAD DRIVER DISK

355620



REPLACEMENT BRUSHES AND PAD DRIVER DISK

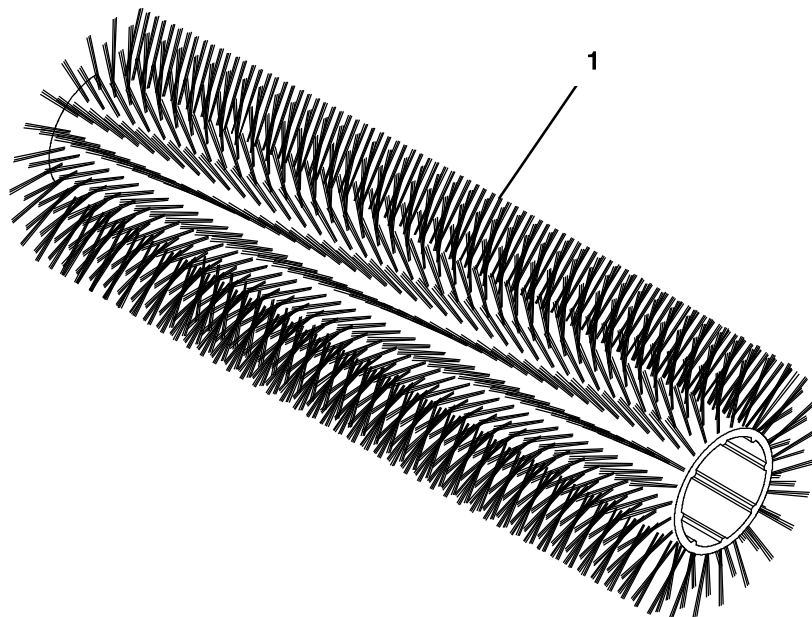
Ref.	Part No.	Serial Number	Description	Qty.
1	1246592	(10000000- 20000000)	Brush Assy, Disk, Scb, 14.0d, Pyp	2
1	1246591	(10000000- 20000000)	Brush Assy, Disk, Scb, 14.0d, Nyl	2
1	1246593	(10000000- 20000000)	Brush Assy, Disk, Scb, 14.0d, Sab	2
1	1246596	(10000000- 20000000)	Brush Assy, Disk, Scb, 16.0d, Pyp	2
1	1246598	(10000000- 20000000)	Brush Assy, Disk, Scb, 16.0d, Hd Pyp	2
1	1246595	(10000000- 20000000)	Brush Assy, Disk, Scb, 16.0d, Nyl	2
1	1246597	(10000000- 20000000)	Brush Assy, Disk, Scb, 16.0d, Sab	2
1	1246601	(10000000- 20000000)	Brush Assy, Disk, Scb, 18.0d, Pyp	2
1	1246600	(10000000- 20000000)	Brush Assy, Disk, Scb, 18.0d, Nyl	2
1	1246602	(10000000- 20000000)	Brush Assy, Disk, Scb, 18.0d, Sab	2
▽	2	1246590	(10000000- 20000000) Driver Assy, Pad, 14.0d, Brush	2
▽	2	1246594	(10000000- 20000000) Driver Assy, Pad, 16.0d, Brush	2
▽	2	1246599	(10000000- 20000000) Driver Assy, Pad, 18.0d, Brush	2
▲	3	370095	(10000000- 20000000) Device, Centering, Clip On, TI [Gf Pp]	1
▲	4	41579	(10000000- 20000000) Washer, Flat, 08, Ss	3
▲	5	04403	(10000000- 20000000) Screw, Pan, Phl, M4 X 0.70 X 25, NI, Ss	3
▲	6	10908	(10000000- 20000000) Nut, T, M4 X 0.70	3
	7	1243657	(10000000- 20000000) Pad, Stripping, 14.0d Brown [1pick=1ctn]	2
	7	1243344	(10000000- 20000000) Pad, Scb, 14.0d, Blu [1pick=1ctn]	2
	7	1243656	(10000000- 20000000) Pad, Buff, 14.0d Red [1pick=1ctn]	2
	7	1243343	(10000000- 20000000) Pad, Polish, 14.0d, White [1pick=1ctn]	2
	7	1243658	(10000000- 20000000) Pad, Strip, 14.0d Blk[Hi Prod1pick=1ctn]	2
	7	1243667	(10000000- 20000000) Pad, Surf Prep, 14.0d Maroon[1pick=1ctn]	2
	7	1240389	(10000000- 20000000) Pad, Polish, 14.0d, Yel [1pick=1ctn]	2
	7	1243685	(10000000- 20000000) Pad, Stripping, 16.0d, Brn [1pick=1ctn]	2
	7	1243354	(10000000- 20000000) Pad, Scb, 16.0d, Blu [1pick=1ctn]	2
	7	1243355	(10000000- 20000000) Pad, Buff, 16.0d, Red [1pick=1ctn]	2
	7	1243356	(10000000- 20000000) Pad, Polish, 16.0d, White [1pick=1ctn]	2
	7	1243659	(10000000- 20000000) Pad, Strip, 16.0d Blk[Hi Prod1pick=1ctn]	2
	7	1243668	(10000000- 20000000) Pad, Surf Prep, 16.0d Maroon[1pick=1ctn]	2
	7	1240390	(10000000- 20000000) Pad, Polish, 16.0d, Yel [1pick=1ctn]	2
	7	1243724	(10000000- 20000000) Pad, Stripping, 18.0d, Brn [1pick=1ctn]	2
	7	1243335	(10000000- 20000000) Pad, Scb, 18.0d, Blu [1pick=1ctn]	2
	7	1243336	(10000000- 20000000) Pad, Buff, 18.0d, Red [1pick=1ctn]	2
	7	1243337	(10000000- 20000000) Pad, Polish, 18.0d, White [1pick=1ctn]	2
	7	1243660	(10000000- 20000000) Pad, Strip, 18.0d Blk[Hi Prod1pick=1ctn]	2
	7	1240392	(10000000- 20000000) Pad, Polish, 18.0d, Yel [1pick=1ctn]	2

▽ ASSEMBLY

▲ INCLUDED IN ASSEMBLY

REPLACEMENT BRUSHES CYLINDRICAL

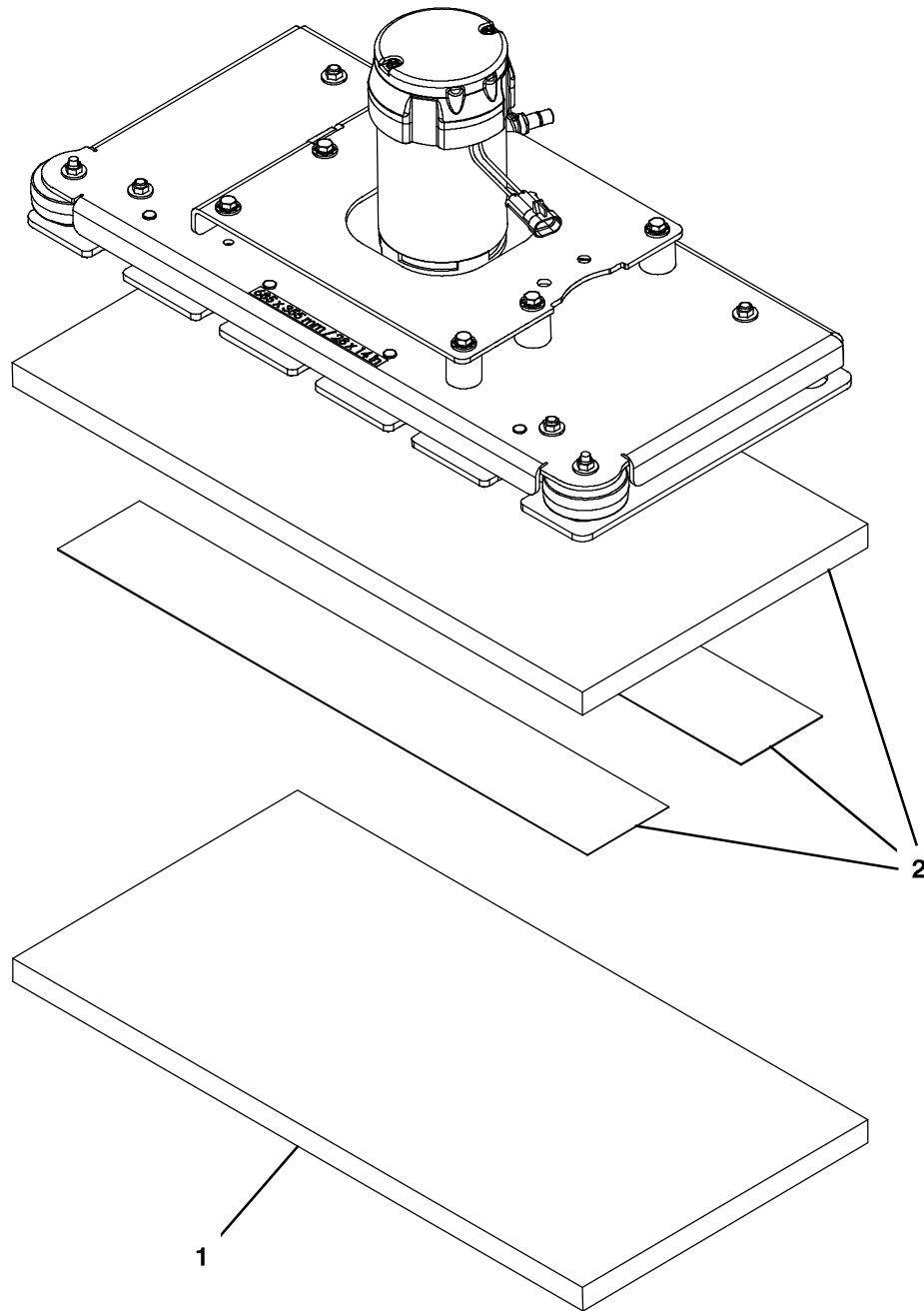
355427



Ref.	Part No.	Serial Number	Description	Qty.
1	222304	(10000000- 20000000)	Brush, Scb, 28l, 18sr, Pyp, Spl	2
1	374041	(10000000- 20000000)	Brush, Scb, 28l, 18sr, Hd Pyp, Spl	2
1	222305	(10000000- 20000000)	Brush, Scb, 28l, 18sr, Nyl, Spl	2
1	222306	(10000000- 20000000)	Brush, Scb, 28l, 18sr, Abr, Spl	2
1	222307	(10000000- 20000000)	Brush, Scb, 32l, 18sr, Pyp, Spl [Grout]	2
1	374042	(10000000- 20000000)	Brush, Scb, 32l, 18sr, Hd Pyp, Spl	2
1	222308	(10000000- 20000000)	Brush, Scb, 32l, 18sr, Nyl, Spl	2
1	222309	(10000000- 20000000)	Brush, Scb, 32l, 18sr, Abr, Spl	2

REPLACEMENT PADS ORBITAL

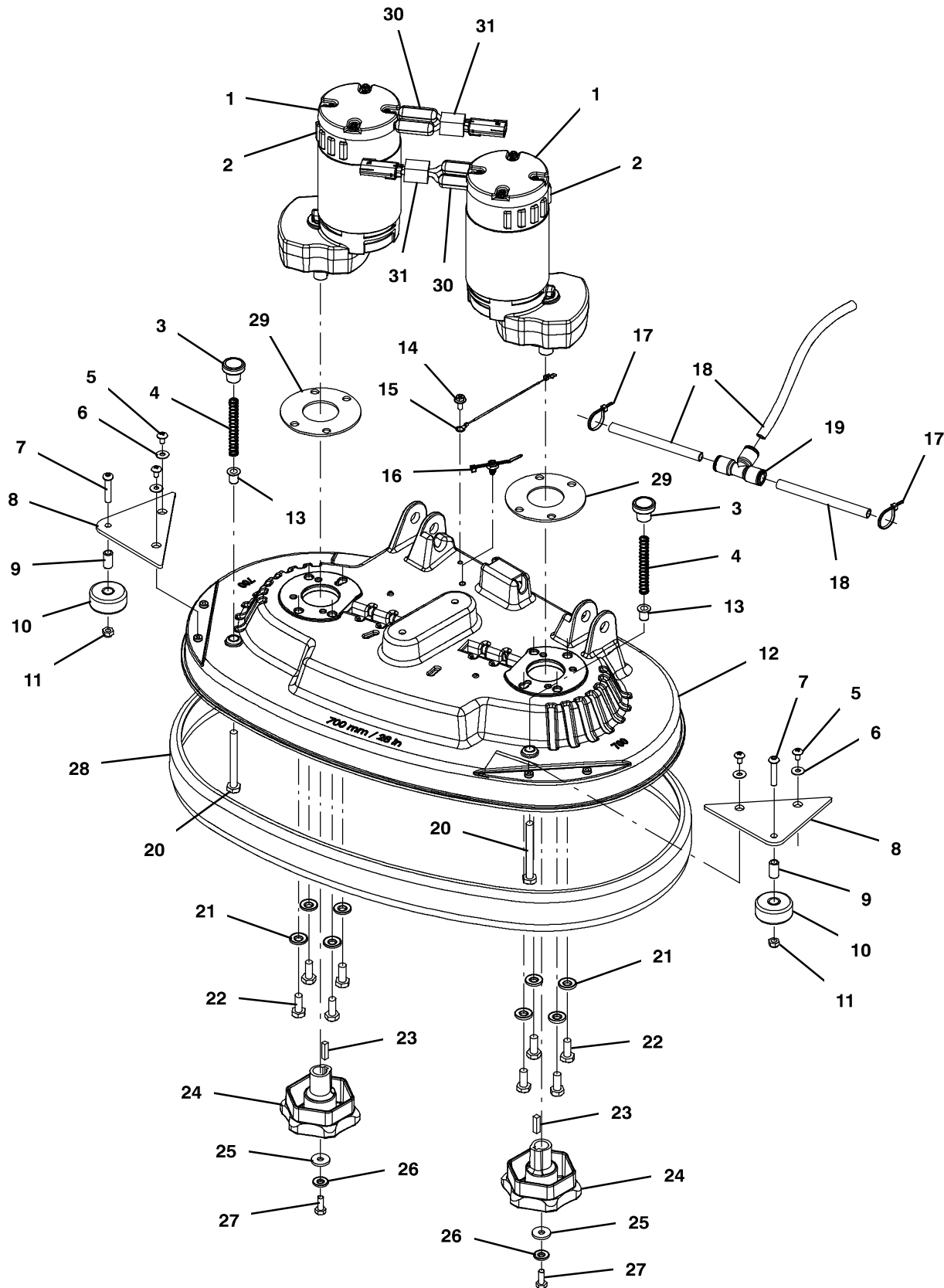
355478



Ref.	Part No.	Serial Number	Description	Qty.
	1223247	(10000000- 20000000)	Pad, Scb, 28 X 14, Blu [1pc=1pad]	1
	1244690	(10000000- 20000000)	Pad, Buff, 28 X 14, Red [1pick=1ctn]	1
	1223246	(10000000- 20000000)	Pad, Polish, 28 X 14, White [1pc=1pad]	1
	1223248	(10000000- 20000000)	Pad, Surf Prep, 28 X 14, Mar [1pc=1pad]	1
	1223250	(10000000- 20000000)	Pad, Scb, 28 X 14, Green [1pick=1ctn]	1
	1075563	(10000000- 20000000)	Pad, Stripping, 28 X 14, Blk [1pick=1ctn]	1
	1240343	(10000000- 20000000)	Pad, Polish, 28 X 14, Yel [1pick=1ctn]	1
	1228002	(10000000- 20000000)	Pad, Melamine, 14" X 28" [Case Of 5]	1
	1221839	(10000000- 20000000)	Pad, Backer, 28 X 14 (Includes Velcro Fasteners)	1

SCRUB HEAD GROUP, DISK 700MM / 28IN

355622



SCRUB HEAD GROUP, DISK 700MM / 28IN

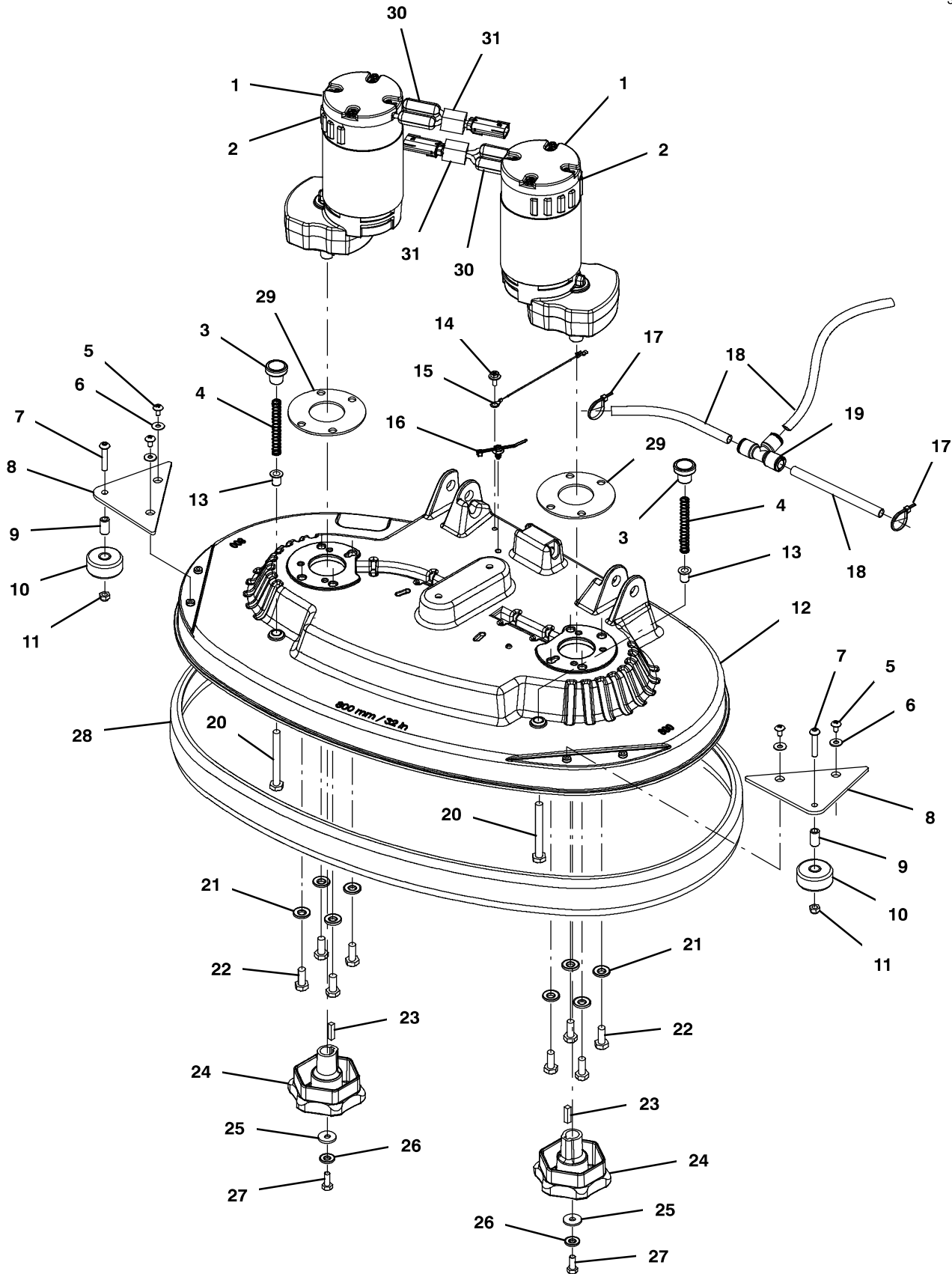
Ref.	Part No.	Serial Number	Description	Qty.
▽	1	1063103	(10000000- 20000000) Motor, Ele, 36vdc 200rpm .75hp Gear (T600e Models) (Also Requires Ferrites)	2
▲	2	1066573	(10000000- 20000000) Vr, Brush Kit, Motor 1 Pick = 4 Pcs	1
▽	1	1063463	(10000000- 20000000) Motor, Ele, 36vdc 300rpm 1.0hp Gear (T600 Models) (Also Requires Ferrites)	2
▲	2	1066573	(10000000- 20000000) Vr, Brush Kit, Motor 1 Pick = 4 Pcs	1
	3	1222988	(10000000- 20000000) Knob, Rnd, 31.0d 27.0l M10, Plstc	2
	4	626081	(10000000- 20000000) Spring, Cmpr, 0.48od .04wir 03.5l	2
	5	1227865	(10000000- 20000000) Screw, Trs, M6 X 1.0 X 12, Phl, Ss, NI	4
	6	01684	(10000000- 20000000) Washer, Flat, 0.27b 0.69d .05, Ss	4
	7	397826	(10000000- 20000000) Screw, Btn, M8 X 1.25 X 40, Ss	2
	8	1227709	(10000000- 20000000) Bracket, Roller, Wall	2
	9	222496	(10000000- 20000000) Sleeve, P/M, 0.32b 0.50d 0.9l [430ss]	2
	10	222403	(10000000- 20000000) Wheel, 02.0d 0.88w 0.50b	2
	11	08713	(10000000- 20000000) Nut, Hex, Lock, M8 X 1.25, NI, Ss	2
▽	12	9018824	(10000000- 20000000) Housing, Disc, 70cm, Afmkt [T600, Na,Ce] (With Label)	1
▲	13	1247152	(10000000- 20000000) Bushing, Flng, 10mmb 12mmd 17mml	2
	14	1034731	(10000000- 20000000) Screw, Hex, M6 X 1.00 X 16, Sems, Ss	1
	15	1074344	(10000000- 20000000) Harness, Ele [Ring With .250m Tail]	1
	16	1210807	(10000000- 20000000) Wire, Tie [W/.25" Fir Tree Clip]	1
	17	130773	(10000000- 20000000) Tie, Cable, Nyl, 11.0l, .14w, 3.0 Max. D	2
	18	9014145	(10000000- 20000000) Hose, Afmkt, Pe, .375id .50od, 05ft	1
	19	1212858	(10000000- 20000000) Fitting, Plstc, Tee, Qf08/Qf08/Qf08	1
	20	09746	(10000000- 20000000) Screw, Hex, M10 X 1.50 X 90, Ss	2
	21	41187	(10000000- 20000000) Washer, Flat, Belleville, .38	8
	22	09028	(10000000- 20000000) Screw, Hex, M10 X 1.50 X 25, Ss	8
	23	00928	(10000000- 20000000) Key, Sq, 0.25 X 0.25, 1.00l	2
	24	1240229	(10000000- 20000000) Hub, Drive, Brush, Disk	2
	25	1017218	(10000000- 20000000) Washer, Flat, 0.32b 1.00d .12, Ss	2
	26	41186	(10000000- 20000000) Washer, Flat, Belleville, .31	2
	27	12273	(10000000- 20000000) Screw, Hex, M8 X 1.25 X 20, NI, Ss	2
	28	1232325	(10000000- 20000000) Bumper, Head, 70cm, Skirt, Im	1
	29	1238822	(10000000- 20000000) Spacer, Rbr, Motor	2
	30	1227867	(10000000- 20000000) Inductor, Ferrite [Split Case,407@100hz]	4
	31	1065665	(10000000- 20000000) Inductor, 32.3mml [Ferrite 10- 250mhz]	2

▽ ASSEMBLY

▲ INCLUDED IN ASSEMBLY

SCRUB HEAD GROUP, DISK 800MM / 32IN

355623



SCRUB HEAD GROUP, DISK 800MM / 32IN

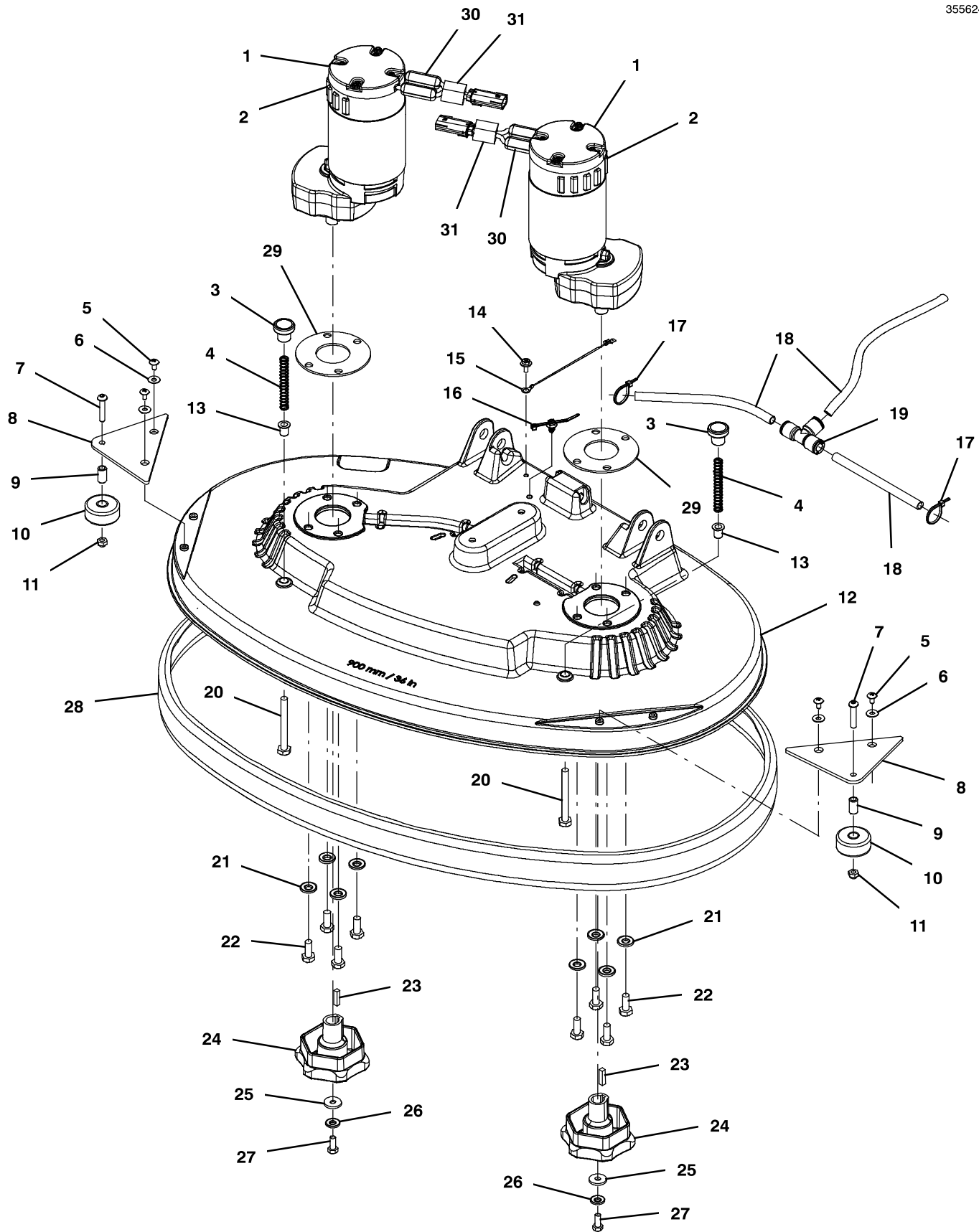
Ref.	Part No.	Serial Number	Description	Qty.
▽	1	1063103	(10000000- 20000000) Motor, Ele, 36vdc 200rpm .75hp Gear (T600e / T600e Heavy Duty Down Pressure Models) (Also Requires Ferrites)	2
▲	2	1066573	(10000000- 20000000) Vr, Brush Kit, Motor 1 Pick = 4 Pcs	1
▽	1	1063463	(10000000- 20000000) Motor, Ele, 36vdc 300rpm 1.0hp Gear (T600 / T600 Heavy Duty Down Pressure Models) (Also Requires Ferrites)	2
▲	2	1066573	(10000000- 20000000) Vr, Brush Kit, Motor 1 Pick = 4 Pcs	1
	3	1222988	(10000000- 20000000) Knob, Rnd, 31.0d 27.0l M10, Plstc	2
	4	626081	(10000000- 20000000) Spring, Cmpr, 0.48od .04wir 03.5l	2
	5	1227865	(10000000- 20000000) Screw, Trs, M6 X 1.0 X 12, Phl, Ss, NI	4
	6	01684	(10000000- 20000000) Washer, Flat, 0.27b 0.69d .05, Ss	4
	7	397826	(10000000- 20000000) Screw, Btn, M8 X 1.25 X 40, Ss	2
	8	1227709	(10000000- 20000000) Bracket, Roller, Wall	2
	9	222496	(10000000- 20000000) Sleeve, P/M, 0.32b 0.50d 0.9l [430ss]	2
	10	222403	(10000000- 20000000) Wheel, 02.0d 0.88w 0.50b	2
	11	08713	(10000000- 20000000) Nut, Hex, Lock, M8 X 1.25, NI, Ss	2
▽	12	9018823	(10000000- 20000000) Housing, Disc, 80cm, Afmkt [T600, Na,Ce] (With Label)	1
▲	13	1247152	(10000000- 20000000) Bushing, Flng, 10mmb 12mmd 17mml	2
	14	1034731	(10000000- 20000000) Screw, Hex, M6 X 1.00 X 16, Sems, Ss	1
	15	1074344	(10000000- 20000000) Harness, Ele [Ring With .250m Tail]	1
	16	1210807	(10000000- 20000000) Wire, Tie [W/.25" Fir Tree Clip]	1
	17	130773	(10000000- 20000000) Tie, Cable, Nyl, 11.0l, .14w, 3.0 Max. D	2
	18	9014145	(10000000- 20000000) Hose, Afmkt, Pe, .375id .50od, 05ft	1
	19	1212858	(10000000- 20000000) Fitting, Plstc, Tee, Qf08/Qf08/Qf08	1
	20	09746	(10000000- 20000000) Screw, Hex, M10 X 1.50 X 90, Ss	2
	21	41187	(10000000- 20000000) Washer, Flat, Belleville, .38	8
	22	09028	(10000000- 20000000) Screw, Hex, M10 X 1.50 X 25, Ss	8
	23	00928	(10000000- 20000000) Key, Sq, 0.25 X 0.25, 1.00l	2
	24	1240229	(10000000- 20000000) Hub, Drive, Brush, Disk	2
	25	1017218	(10000000- 20000000) Washer, Flat, 0.32b 1.00d .12, Ss	2
	26	41186	(10000000- 20000000) Washer, Flat, Belleville, .31	2
	27	12273	(10000000- 20000000) Screw, Hex, M8 X 1.25 X 20, NI, Ss	2
	28	1232326	(10000000- 20000000) Bumper, Head, 80cm, Skirt, Im	1
	29	1238822	(10000000- 20000000) Spacer, Rbr, Motor	2
	30	1227867	(10000000- 20000000) Inductor, Ferrite [Split Case,407@100hz]	4
	31	1065665	(10000000- 20000000) Inductor, 32.3mml [Ferrite 10- 250mhz]	2

▽ ASSEMBLY

▲ INCLUDED IN ASSEMBLY

SCRUB HEAD GROUP, DISK 900MM / 36IN

355624



SCRUB HEAD GROUP, DISK 900MM / 36IN

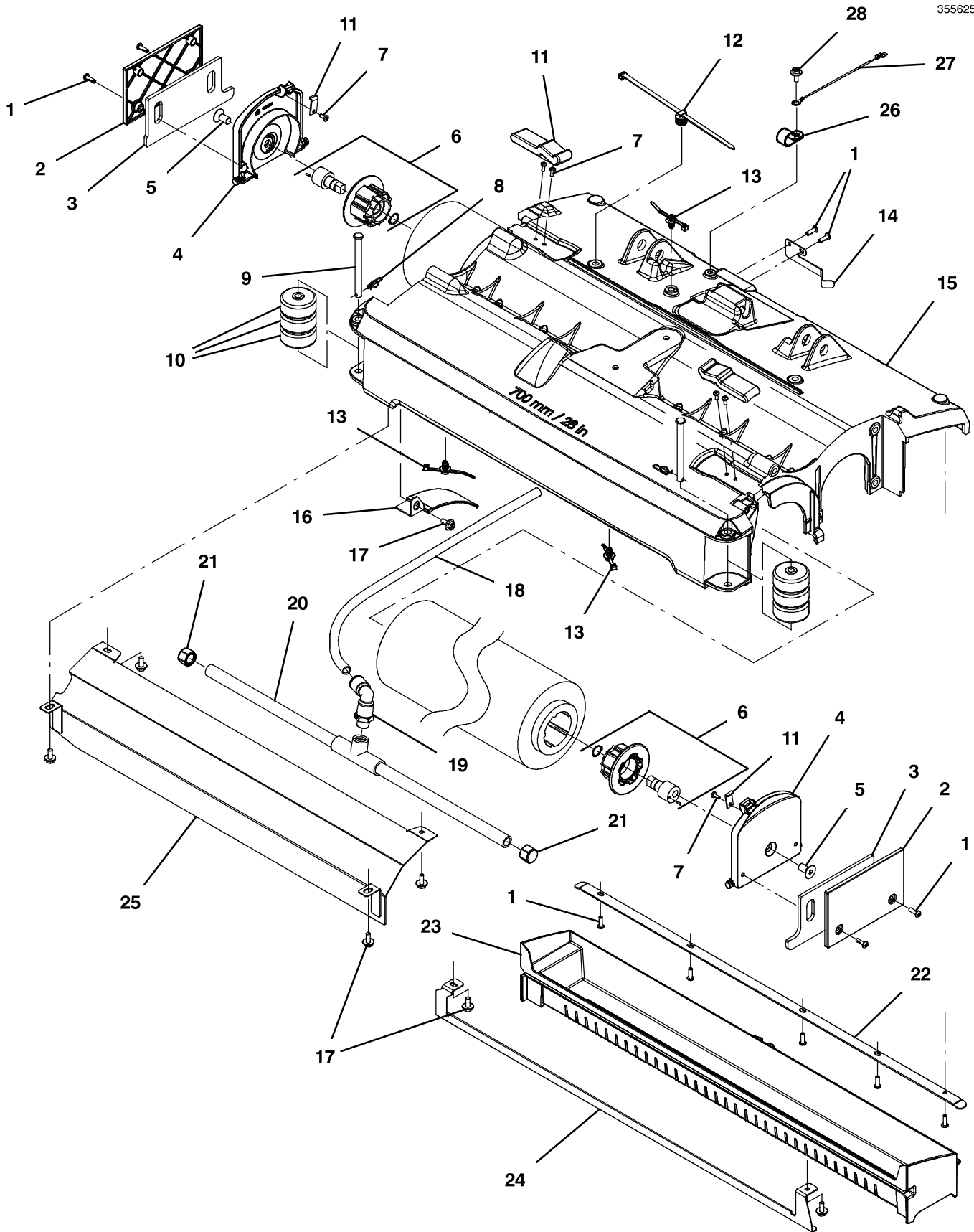
Ref.	Part No.	Serial Number	Description	Qty.
▽	1	1063103	(10000000- 20000000) Motor, Ele, 36vdc 200rpm .75hp Gear (T600e Models) (Also Requires Ferrites)	2
▲	2	1066573	(10000000- 20000000) Vr, Brush Kit, Motor 1 Pick = 4 Pcs	1
▽	1	1063463	(10000000- 20000000) Motor, Ele, 36vdc 300rpm 1.0hp Gear (T600 Models) (Also Requires Ferrites)	2
▲	2	1066573	(10000000- 20000000) Vr, Brush Kit, Motor 1 Pick = 4 Pcs	1
	3	1222988	(10000000- 20000000) Knob, Rnd, 31.0d 27.0l M10, Plstc	2
	4	626081	(10000000- 20000000) Spring, Cmpr, 0.48od .04wir 03.5l	2
	5	1227865	(10000000- 20000000) Screw, Trs, M6 X 1.0 X 12, Phl, Ss, NI	4
	6	01684	(10000000- 20000000) Washer, Flat, 0.27b 0.69d .05, Ss	4
	7	397826	(10000000- 20000000) Screw, Btn, M8 X 1.25 X 40, Ss	2
	8	1227709	(10000000- 20000000) Bracket, Roller, Wall	2
	9	222496	(10000000- 20000000) Sleeve, P/M, 0.32b 0.50d 0.9l [430ss]	2
	10	222403	(10000000- 20000000) Wheel, 02.0d 0.88w 0.50b	2
	11	08713	(10000000- 20000000) Nut, Hex, Lock, M8 X 1.25, NI, Ss	2
▽	12	9018825	(10000000- 20000000) Housing, Disc, 90cm, Afmkt [T600, Na,Ce] (With Label)	1
▲	13	1247152	(10000000- 20000000) Bushing, Flng, 10mmb 12mmd 17mml	2
	14	1034731	(10000000- 20000000) Screw, Hex, M6 X 1.00 X 16, Sems, Ss	1
	15	1074344	(10000000- 20000000) Harness, Ele [Ring With .250m Tail]	1
	16	1210807	(10000000- 20000000) Wire, Tie [W/.25" Fir Tree Clip]	1
	17	130773	(10000000- 20000000) Tie, Cable, Nyl, 11.0l, .14w, 3.0 Max. D	2
	18	9014145	(10000000- 20000000) Hose, Afmkt, Pe, .375id .50od, 05ft	1
	19	1212858	(10000000- 20000000) Fitting, Plstc, Tee, Qf08/Qf08/Qf08	1
	20	09746	(10000000- 20000000) Screw, Hex, M10 X 1.50 X 90, Ss	2
	21	41187	(10000000- 20000000) Washer, Flat, Belleville, .38	8
	22	09028	(10000000- 20000000) Screw, Hex, M10 X 1.50 X 25, Ss	8
	23	00928	(10000000- 20000000) Key, Sq, 0.25 X 0.25, 1.00l	2
	24	1240229	(10000000- 20000000) Hub, Drive, Brush, Disk	2
	25	1017218	(10000000- 20000000) Washer, Flat, 0.32b 1.00d .12, Ss	2
	26	41186	(10000000- 20000000) Washer, Flat, Belleville, .31	2
	27	12273	(10000000- 20000000) Screw, Hex, M8 X 1.25 X 20, NI, Ss	2
	28	1226723	(10000000- 20000000) Bumper, Head, 90cm, Skirt, Im	1
	29	1238822	(10000000- 20000000) Spacer, Rbr, Motor	2
	30	1227867	(10000000- 20000000) Inductor, Ferrite [Split Case,407@100hz]	4
	31	1065665	(10000000- 20000000) Inductor, 32.3mml [Ferrite 10- 250mhz]	2

▽ ASSEMBLY

▲ INCLUDED IN ASSEMBLY

SCRUB HEAD GROUP, CYLINDRICAL 700MM / 28IN

355625



SCRUB HEAD GROUP, CYLINDRICAL 700MM / 28IN

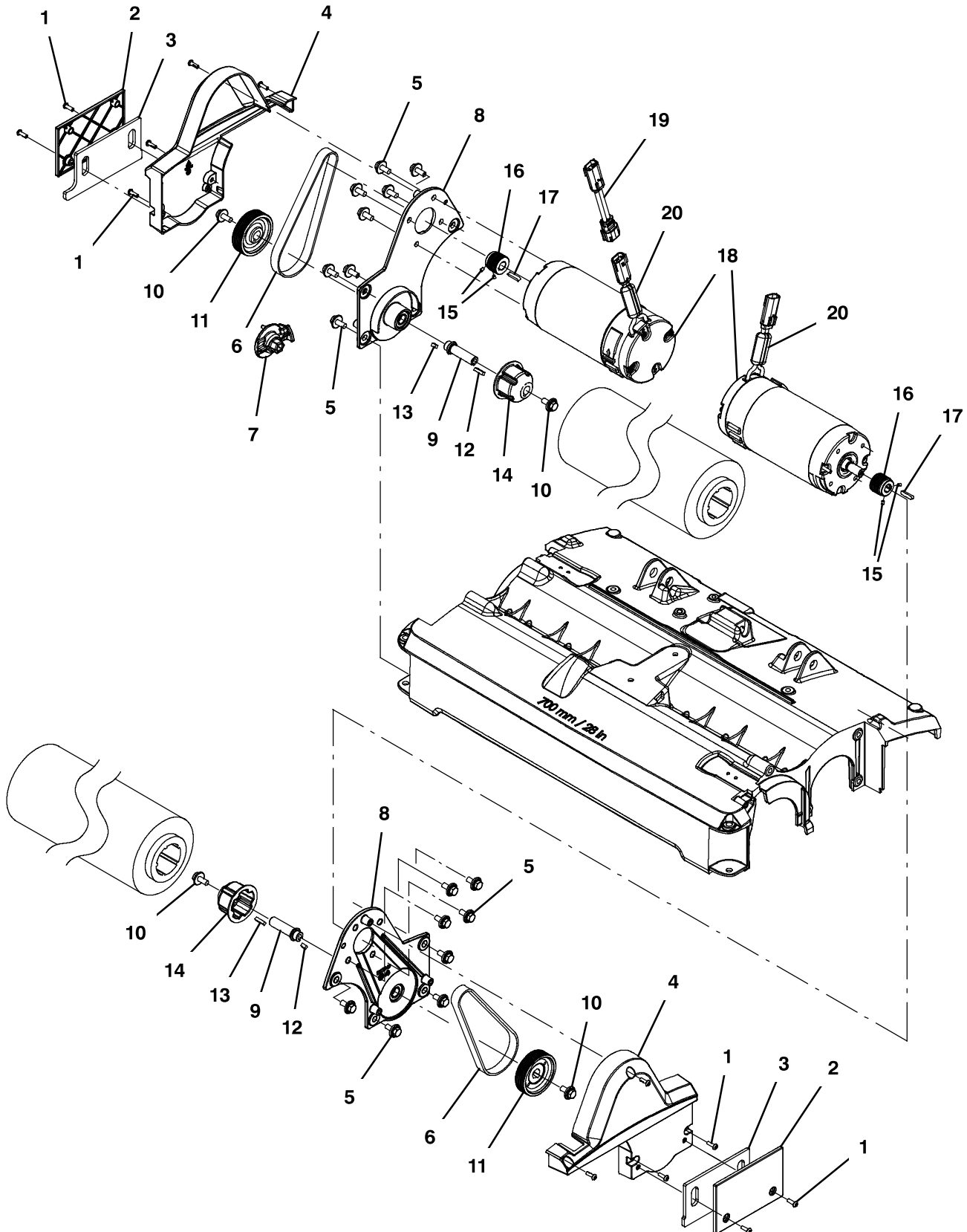
Ref.	Part No.	Serial Number	Description	Qty.
1	1205799	(10000000- 20000000)	Screw, Btn, M5 X 0.8 X 16, 8.8, NI, Torx	11
2	1218032	(10000000- 20000000)	Cover, Skirt, 2cyl [T500]	2
3	1218573	(10000000- 20000000)	Skirt, Side, Scrbr, Cyl [T500]	2
▽	4	9017656	(10000000- 20000000) Door Assy, Idler, Cylrc	2
▲	5	390996	(10000000- 20000000) Screw, Flt, Soc, M10 X 1.50 X 20,10.9,NI	1
▲	6	222752	(10000000- 20000000) Plug Assy, Idler, Brush (Includes Idler Plug, Shaft, Retaining Ring & Roll Pin - Not Available Separately)	1
7	49697	(10000000- 20000000)	Screw, Pan, Phl, M4 X 0.70 X 10, Ss	6
8	1216647	(10000000- 20000000)	Pin, Cotter, Hair, 0.38d .054 Wir	2
9	49914	(10000000- 20000000)	Pin, Clevis, 0.37d X 4.00l	2
10	630477	(10000000- 20000000)	Wheel, Pyu, 02.0d 0.38w, Gray	6
11	1207285	(10000000- 20000000)	Latch, Draw, Rbr, W/ Keeper, Yellow	2
12	1221161	(10000000- 20000000)	Tie, Cable, Nyl, Push Mount, 76mm Max D	1
13	1210807	(10000000- 20000000)	Wire, Tie [W/.25" Fir Tree Clip]	3
14	1218242	(10000000- 20000000)	Bracket, Spring, Tray, Debris [T500]	1
15	9016854	(10000000- 20000000)	Housing, Cyl, 70cm, Afmkt [T600, Na,Ce] (With Label)	1
16	1029358	(10000000- 20000000)	Deflector, Water, Cyl Head	1
17	1034731	(10000000- 20000000)	Screw, Hex, M6 X 1.00 X 16, Sems, Ss	7
18	9014145	(10000000- 20000000)	Hose, Afmkt, Pe, .375id .50od, 05ft	1
19	1212987	(10000000- 20000000)	Fitting, Plstc, E90, Qf08/Pm06, Swivel	1
20	1046049	(10000000- 20000000)	Tube Assy, Bar, Spray, 70cm [T5, 5680]	1
21	1025580	(10000000- 20000000)	Fitting, Pipe, Cap, P06, Nyl	2
22	1218153	(10000000- 20000000)	Bracket, Tray, Debris [T500]	1
23	1218144	(10000000- 20000000)	Tray, Debris, 700mm [lm] [Rhine]	1
24	1218577	(10000000- 20000000)	Bracket, Slide, Tray, Debris	1
25	1219969	(10000000- 20000000)	Panel Wldt, Wrap, Brush [T500]	1
26	33584	(10000000- 20000000)	Clamp, Cable, Stl, 0.63d X 0.50w, 1hole	1
27	1074344	(10000000- 20000000)	Harness, Ele [Ring With .250m Tail]	1
28	1034731	(10000000- 20000000)	Screw, Hex, M6 X 1.00 X 16, Sems, Ss	1

▽ ASSEMBLY

▲ INCLUDED IN ASSEMBLY

SCRUB HEAD GROUP, CYLINDRICAL 700MM / 28IN - CONT'D

355637



SCRUB HEAD GROUP, CYLINDRICAL 700MM / 28IN - CONT'D

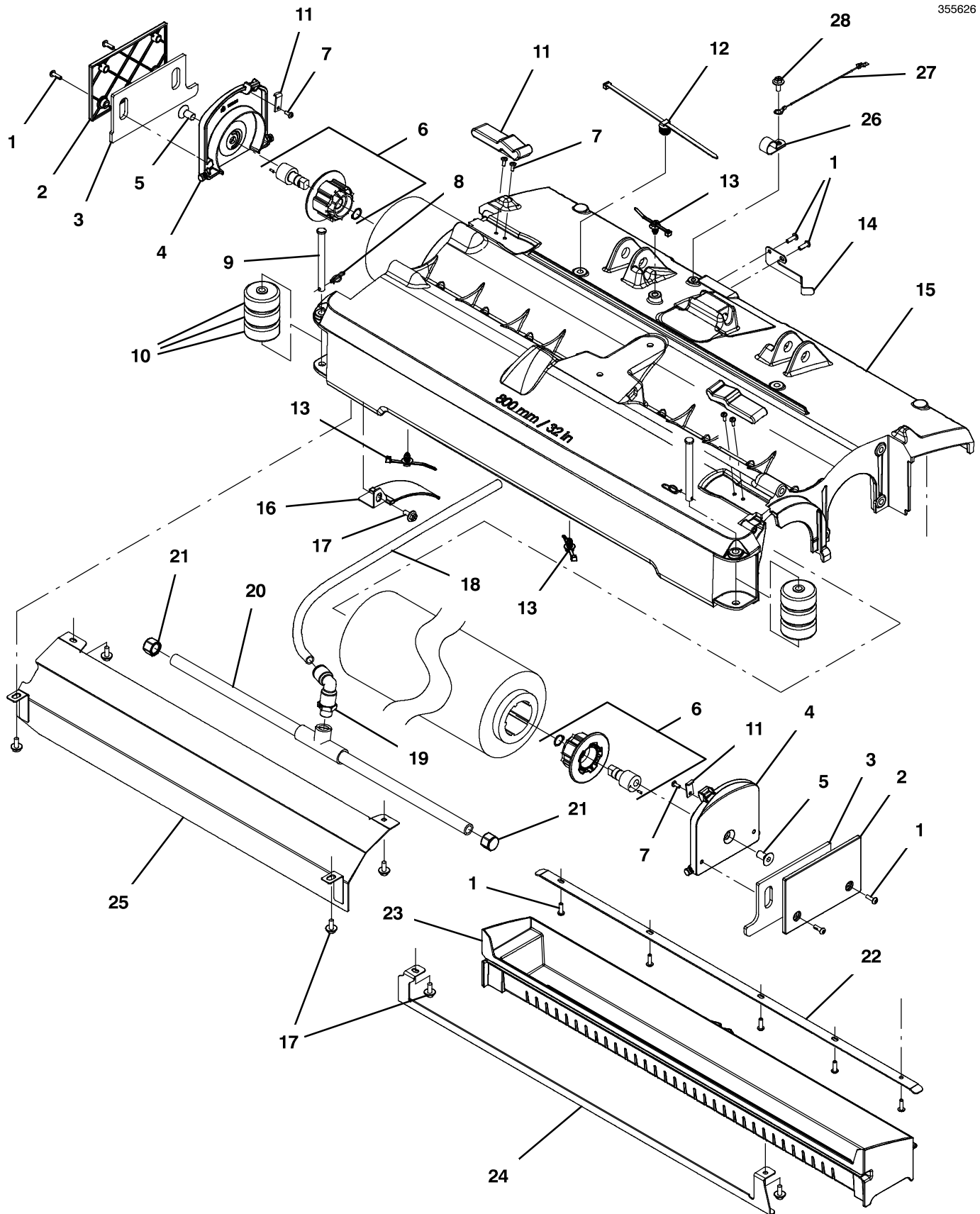
Ref.	Part No.	Serial Number	Description	Qty.	
1	1205799	(10000000- 20000000)	Screw, Btn, M5 X 0.8 X 16, 8.8, NI, Torx	12	
2	1218032	(10000000- 20000000)	Cover, Skirt, 2cyl [T500]	2	
3	1218573	(10000000- 20000000)	Skirt, Side, Scrub, Cyl [T500]	2	
4	1218012	(10000000- 20000000)	Cover, Belt, 2 Cyl [T500]	2	
5	1020341	(10000000- 20000000)	Screw, Hex, M8 X 1.25 X 20, Ss, Sems	16	
▽	6	9016885	(10000000- 20000000)	Belt Kit, Motor, Afmkt (Includes Qty 2 Belts & Install Tool)	1
▲		1231688	(10000000- 20000000)	Belt, 7 Rib, 19.5l	1
▲	7	1234733	(10000000- 20000000)	Tool, Installation, Belt	1
▽	8	9016863	(10000000- 20000000)	Bracket, Assy, Motor, Afmkt [T600] (Also Includes Bearing And Spacer - Not Available Separately)	2
▲	9	1233393	(10000000- 20000000)	Shaft, Drive	1
▲	10	1020341	(10000000- 20000000)	Screw, Hex, M8 X 1.25 X 20, Ss, Sems	2
▲	11	1231277	(10000000- 20000000)	Sheave, 07grv, 2.89pd 0.63b	1
▲	12	1233950	(10000000- 20000000)	Key, Sq, 5mm X 5mm X 9mm	1
▲	13	00911	(10000000- 20000000)	Key, Sq, 0.19 X 0.19, 0.75l	1
▲	14	378805	(10000000- 20000000)	Plug, Drive, Brush, Mach	1
▲	15	222818	(10000000- 20000000)	Screw, Set, Soc, 08- 32 X 0.25, NI	2
▲	16	1236053	(10000000- 20000000)	Sheave, 07Grv, 1.22Pd 0.55B [Pj]	1
	17	1014328	(10000000- 20000000)	Key, Sq, 05mm X 05mm, 25mml	2
▽	18	1230332	(10000000- 20000000)	Motor, Ele, 36vdc 1800rpm 0.9hp (Also Requires Ferrites)	2
▲		9011916	(10000000- 20000000)	Vr, Brush Kit, Motor	1
	19	1075585	(10000000- 20000000)	Harness, Ele [Motor Rev., Molex Mx150l]	1
	20	1227867	(10000000- 20000000)	Inductor, Ferrite [Split Case,407@100hz]	4

▽ ASSEMBLY

▲ INCLUDED IN ASSEMBLY

SCRUB HEAD GROUP, CYLINDRICAL 800MM / 32IN

355626



SCRUB HEAD GROUP, CYLINDRICAL 800MM / 32IN

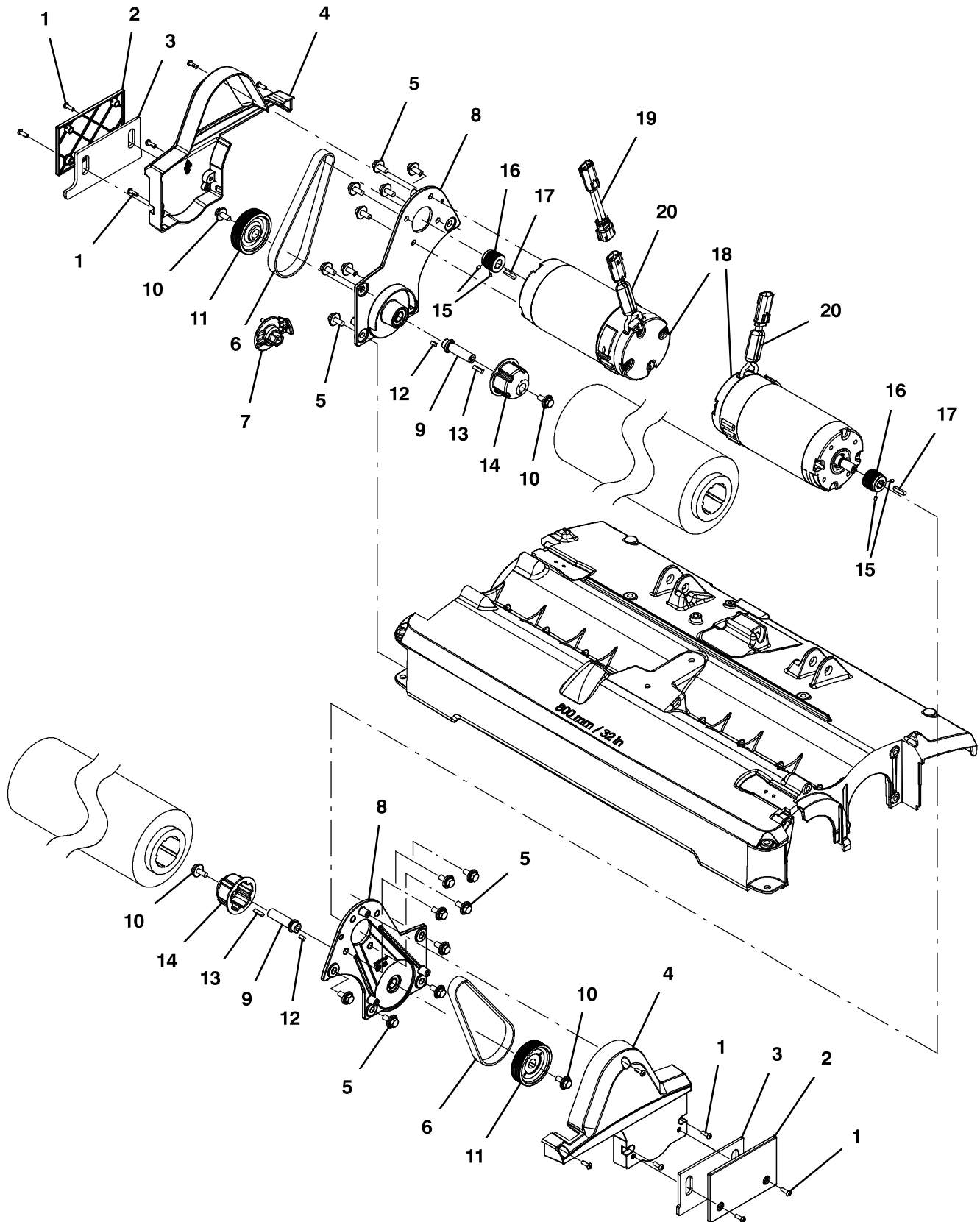
Ref.	Part No.	Serial Number	Description	Qty.
	1	1205799	(10000000- 20000000) Screw, Btn, M5 X 0.8 X 16, 8.8, NI, Torx	11
	2	1218032	(10000000- 20000000) Cover, Skirt, 2cyl [T500]	2
	3	1218573	(10000000- 20000000) Skirt, Side, Scrub, Cyl [T500]	2
▽	4	9017656	(10000000- 20000000) Door Assy, Idler, Cylrc	2
▲	5	390996	(10000000- 20000000) Screw, Flt, Soc, M10 X 1.50 X 20,10.9,NI	1
▲	6	222752	(10000000- 20000000) Plug Assy, Idler, Brush (Includes Idler Plug, Shaft, Retaining Ring & Roll Pin - Not Available Separately)	1
	7	49697	(10000000- 20000000) Screw, Pan, Phl, M4 X 0.70 X 10, Ss	6
	8	1216647	(10000000- 20000000) Pin, Cotter, Hair, 0.38d .054 Wir	2
	9	49914	(10000000- 20000000) Pin, Clevis, 0.37d X 4.00l	2
	10	630477	(10000000- 20000000) Wheel, Pyu, 02.0d 0.38w, Gray	6
	11	1207285	(10000000- 20000000) Latch, Draw, Rbr, W/ Keeper, Yellow	2
	12	1221161	(10000000- 20000000) Tie, Cable, Nyl, Push Mount, 76mm Max D	1
	13	1210807	(10000000- 20000000) Wire, Tie [W/.25" Fir Tree Clip]	3
	14	1218242	(10000000- 20000000) Bracket, Spring, Tray, Debris [T500]	1
	15	9016855	(10000000- 20000000) Housing, Cyl, 80cm, Afmkt [T600, Na,Ce] (With Label)	1
	16	1029358	(10000000- 20000000) Deflector, Water, Cyl Head	1
	17	1034731	(10000000- 20000000) Screw, Hex, M6 X 1.00 X 16, Sems, Ss	7
	18	9014145	(10000000- 20000000) Hose, Afmkt, Pe, .375id .50od, 05ft	1
	19	1212987	(10000000- 20000000) Fitting, Plstc, E90, Qf08/Pm06, Swivel	1
	20	1046049	(10000000- 20000000) Tube Assy, Bar, Spray, 70cm [T5, 5680]	1
	21	1025580	(10000000- 20000000) Fitting, Pipe, Cap, P06, Nyl	2
	22	1230278	(10000000- 20000000) Bracket, Tray, Debris	1
	23	1226867	(10000000- 20000000) Tray, Debris, 800mm	1
	24	1226875	(10000000- 20000000) Bracket, Slide, Tray, Debris, 800mm	1
	25	1226910	(10000000- 20000000) Panel Wldt, Wrap, Brush, 800mm	1
	26	33584	(10000000- 20000000) Clamp, Cable, Stl, 0.63d X 0.50w, 1hole	1
	27	1074344	(10000000- 20000000) Harness, Ele [Ring With .250m Tail]	1
	28	1034731	(10000000- 20000000) Screw, Hex, M6 X 1.00 X 16, Sems, Ss	1

▽ ASSEMBLY

▲ INCLUDED IN ASSEMBLY

SCRUB HEAD GROUP, CYLINDRICAL 800MM / 32IN - CONT'D

355638



SCRUB HEAD GROUP, CYLINDRICAL 800MM / 32IN - CONT'D

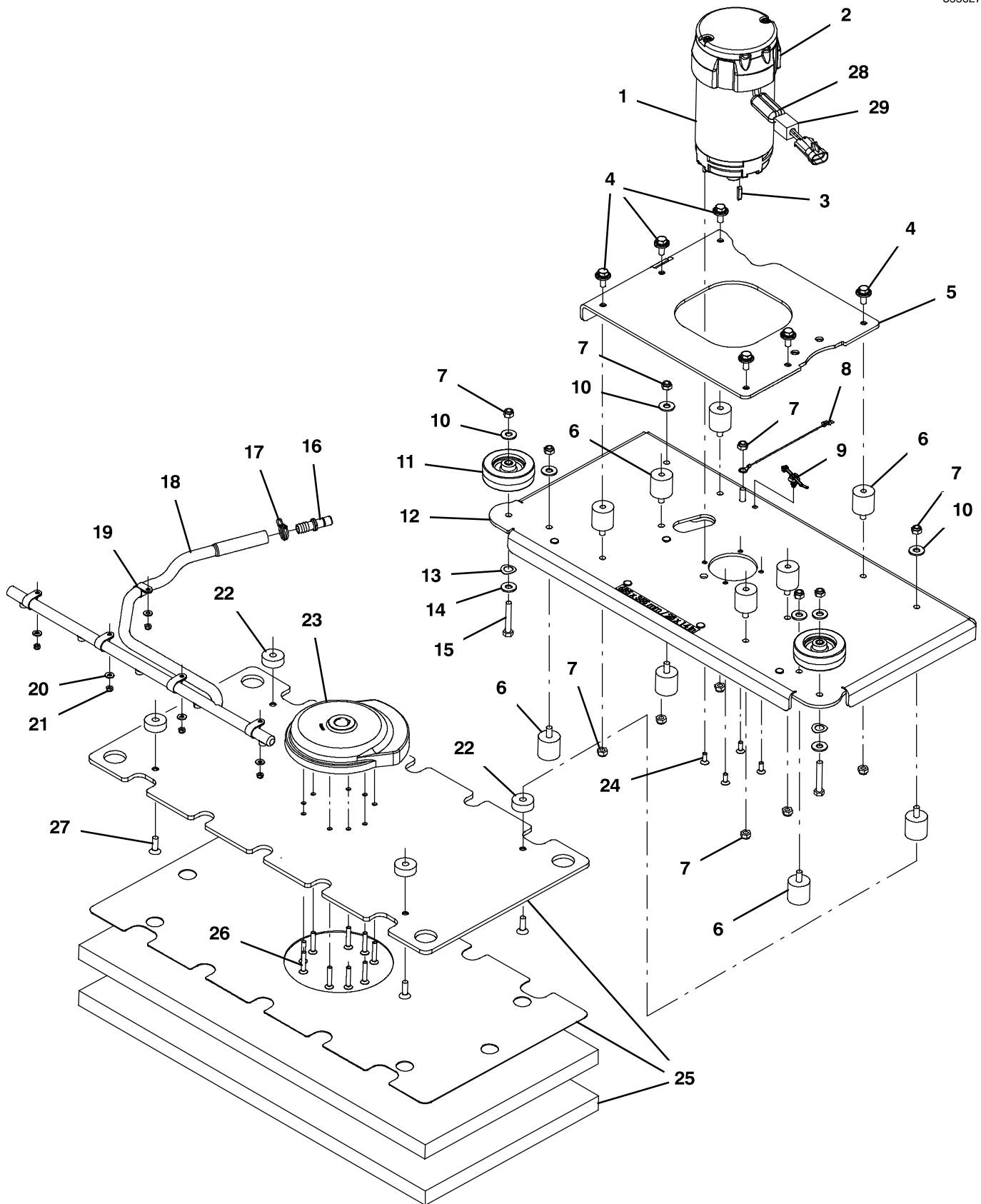
Ref.	Part No.	Serial Number	Description	Qty.	
1	1205799	(10000000- 20000000)	Screw, Btn, M5 X 0.8 X 16, 8.8, NI, Torx	12	
2	1218032	(10000000- 20000000)	Cover, Skirt, 2cyl [T500]	2	
3	1218573	(10000000- 20000000)	Skirt, Side, Scrub, Cyl [T500]	2	
4	1218012	(10000000- 20000000)	Cover, Belt, 2 Cyl [T500]	2	
5	1020341	(10000000- 20000000)	Screw, Hex, M8 X 1.25 X 20, Ss, Sems	16	
▽	6	9016885	(10000000- 20000000)	Belt Kit, Motor, Afmkt (Includes Qty 2 Belts & Install Tool)	1
▲		1231688	(10000000- 20000000)	Belt, 7 Rib, 19.5l	1
▲	7	1234733	(10000000- 20000000)	Tool, Installation, Belt	1
▽	8	9016863	(10000000- 20000000)	Bracket, Assy, Motor, Afmkt [T600] (Also Includes Bearing And Spacer - Not Available Separately)	2
▲	9	1233393	(10000000- 20000000)	Shaft, Drive	1
▲	10	1020341	(10000000- 20000000)	Screw, Hex, M8 X 1.25 X 20, Ss, Sems	2
▲	11	1231277	(10000000- 20000000)	Sheave, 07grv, 2.89pd 0.63b	1
▲	12	1233950	(10000000- 20000000)	Key, Sq, 5mm X 5mm X 9mm	1
▲	13	00911	(10000000- 20000000)	Key, Sq, 0.19 X 0.19, 0.75l	1
▲	14	378805	(10000000- 20000000)	Plug, Drive, Brush, Mach	1
▲	15	222818	(10000000- 20000000)	Screw, Set, Soc, 08- 32 X 0.25, NI	2
▲	16	1236053	(10000000- 20000000)	Sheave, 07Grv, 1.22Pd 0.55B [Pj]	1
	17	1014328	(10000000- 20000000)	Key, Sq, 05mm X 05mm, 25mml	2
▽	18	1230332	(10000000- 20000000)	Motor, Ele, 36vdc 1800rpm 0.9hp (Also Requires Ferrites)	2
▲		9011916	(10000000- 20000000)	Vr, Brush Kit, Motor	1
	19	1075585	(10000000- 20000000)	Harness, Ele [Motor Rev., Molex Mx150l]	1
	20	1227867	(10000000- 20000000)	Inductor, Ferrite [Split Case,407@100hz]	4

▽ ASSEMBLY

▲ INCLUDED IN ASSEMBLY

SCRUB HEAD GROUP, ORBITAL 700MM / 28IN

355627



SCRUB HEAD GROUP, ORBITAL 700MM / 28IN

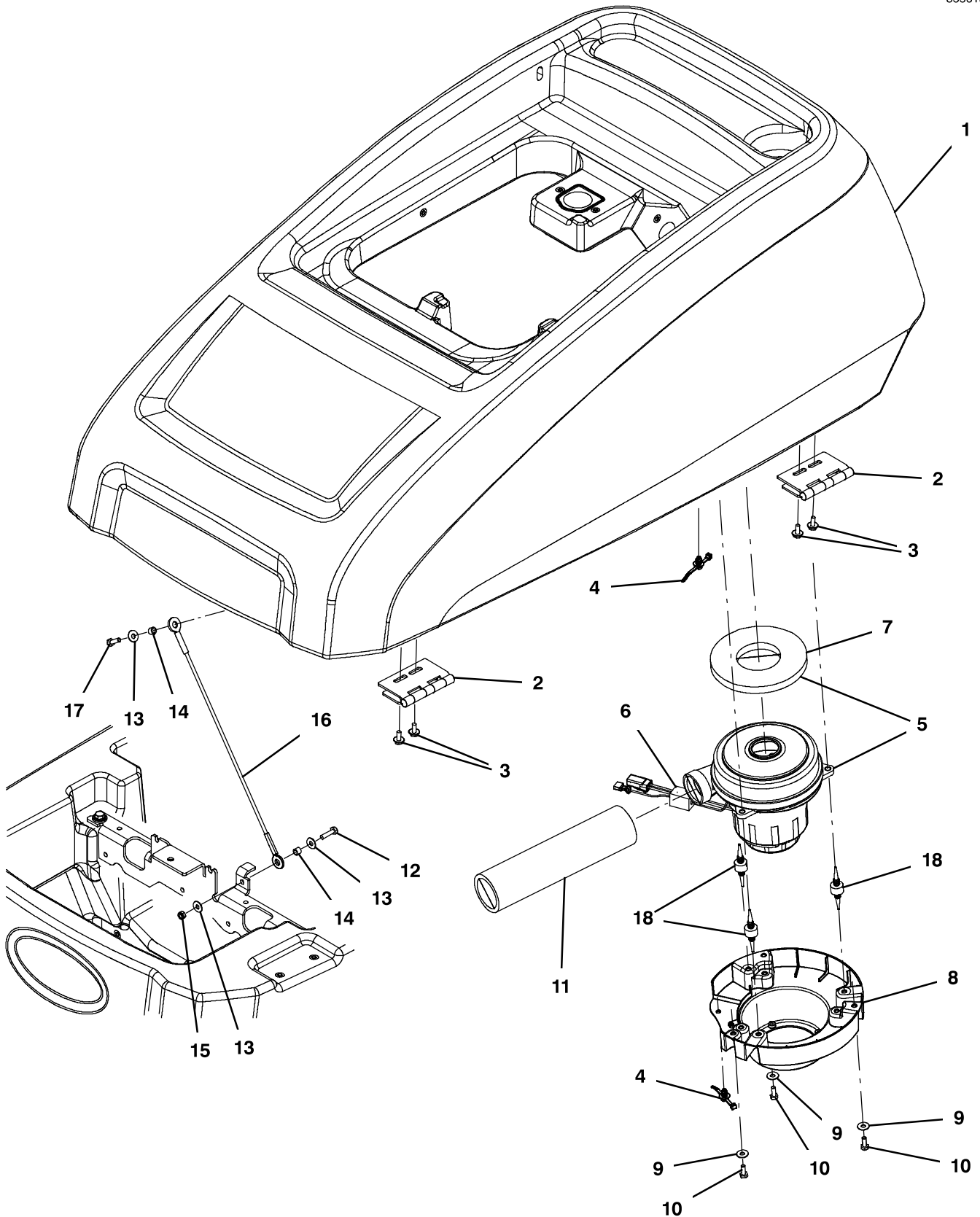
Ref.	Part No.	Serial Number	Description	Qty.
▽	1	1230329	(10000000- 20000000) Motor, Ele, 36vdc, 2200rpm, 0.75hp 18.5a (Also Requires Ferrites)	1
▲	2	1059370	(10000000- 20000000) Brush, Motor, Replmt [Bag Of 4]	1
	3	1231238	(10000000- 20000000) Key, Sq, 5mm X 5mm X 22mm	1
	4	1020341	(10000000- 20000000) Screw, Hex, M8 X 1.25 X 20, Ss, Sems	6
	5	1220910	(10000000- 20000000) Bracket Wldt, Mtg, Head	1
	6	1212543	(10000000- 20000000) Isolator, Neoprene, 1.25" X 1.25", M8	10
	7	08713	(10000000- 20000000) Nut, Hex, Lock, M8 X 1.25, NI, Ss	12
	8	1074344	(10000000- 20000000) Harness, Ele [Ring With .250m Tail]	1
	9	1210807	(10000000- 20000000) Wire, Tie [W/.25" Fir Tree Clip]	1
	10	01685	(10000000- 20000000) Washer, Flat, 0.38b 0.88d .08, Ss	6
	11	1014918	(10000000- 20000000) Wheel, 03.0d 0.88w 0.31b, W/ Bshg, Rbr	2
	12	1221766	(10000000- 20000000) Housing Wldt, Brush	1
	13	1210221	(10000000- 20000000) Washer, Wave, .515b, .875d, .013, Ss	2
	14	01685	(10000000- 20000000) Washer, Flat, 0.38b 0.88d .08, Ss	2
	15	49694	(10000000- 20000000) Screw, Hex, M8 X 1.25 X 50, Ss	2
	16	1212807	(10000000- 20000000) Fitting, Plstc, Str, Qm08/Bm08	1
	17	607776	(10000000- 20000000) Clamp, Hose, Wir, .73 - .77, Silver	1
	18	1234853	(10000000- 20000000) Manifold, Bar, Spray [28in]	1
	19	140916	(10000000- 20000000) Clamp, Cable, Nyl, 0.62d, Nat	5
	20	01683	(10000000- 20000000) Washer, Flat, 10, Ss	5
	21	09739	(10000000- 20000000) Nut, Hex, Lock, M5 X 0.80, NI, Ss	5
	22	1221850	(10000000- 20000000) Spacer, Head	4
	23	9015774	(10000000- 20000000) Eccentric Drive Kit, Orbital	1
	24	09163	(10000000- 20000000) Screw, Flt, Soc, M6 X 1.00 X 16, 18- 8,Ss	4
	25	9015416	(10000000- 20000000) Driver Kit, Pad, Ci [T500] (Includes Driver Plate, Driver Face, & Red Buffing Pad)	1
	26	1212710	(10000000- 20000000) Screw, Flt, Soc, M6 X 1.00 X 35, 10.9,NI	9
	27	74077	(10000000- 20000000) Screw, Flt, Soc, M8 X 1.25 X 25, Ss	4
	28	1227867	(10000000- 20000000) Inductor, Ferrite [Split Case,407@100hz]	2
	29	1065665	(10000000- 20000000) Inductor, 32.3mml [Ferrite 10- 250mhz]	1

▽ ASSEMBLY

▲ INCLUDED IN ASSEMBLY

RECOVERY TANK GROUP

355619



RECOVERY TANK GROUP

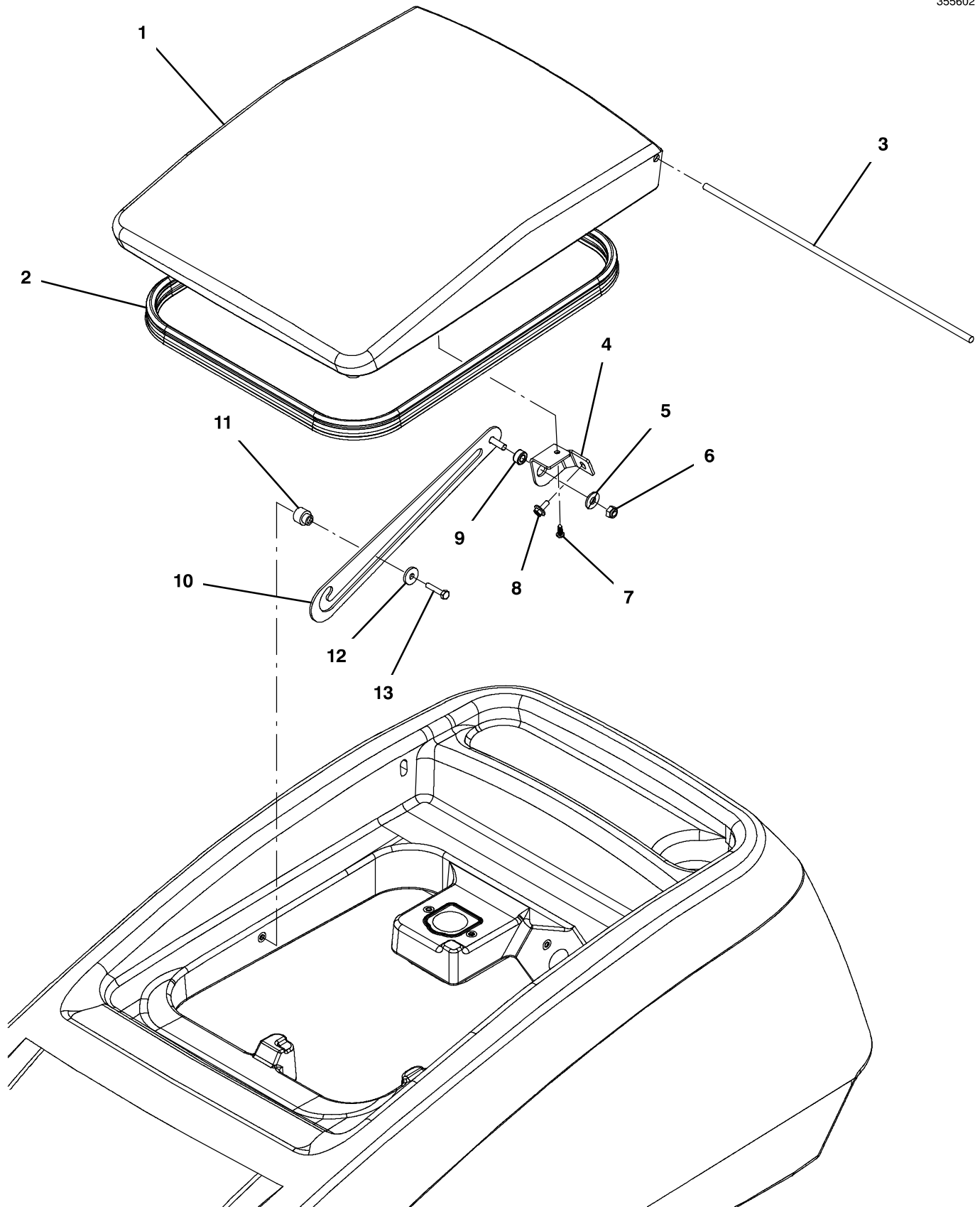
Ref.	Part No.	Serial Number	Description	Qty.
1	9016814	(10000000- 20000000)	Tank, Recvy, W/Labels, Afmkt [T600e, Na]	1
1	9016812	(10000000- 20000000)	Tank, Recvy, W/Labels, Afmkt [T600, Na]	1
1	9016815	(10000000- 20000000)	Tank, Recvy, W/Labels, Afmkt [T600e, Ce] (Brazil)	1
1	9016813	(10000000- 20000000)	Tank, Recvy, W/Labels, Afmkt [T600, Ce] (Brazil)	1
2	1217669	(10000000- 20000000)	Hinge Assy, 7.0 Pin, 11 Ga, 100l X 105w	2
3	1034731	(10000000- 20000000)	Screw, Hex, M6 X 1.00 X 16, Sems, Ss	4
4	1210807	(10000000- 20000000)	Wire, Tie [W/.25" Fir Tree Clip]	2
▽	5	9017504	(10000000- 20000000) Fan Kit, Vacuum, Ci [T600/T600e] (Ferrite Included)	1
▲		1206774	(10000000- 20000000) Vr, Brush Kit, Motor, Fan	1
▲	6	1065665	(10000000- 20000000) Inductor, 32.3mml [Ferrite 10- 250mhz]	1
▲	7	100038	(10000000- 20000000) Gasket, .50, 02.63id 05.75od, Adh [Epdm]	1
	8	1233700	(10000000- 20000000) Mount, Vacfan	1
	9	01684	(10000000- 20000000) Washer, Flat, 0.27b 0.69d .05, Ss	3
	10	11329	(10000000- 20000000) Screw, Hex, M6 X 1.00 X 16, NI, Ss	3
	11	1054231	(10000000- 20000000) Muffler, Vacfan	1
	12	06944	(10000000- 20000000) Screw, Hex, M6 X 1.00 X 25, 8.8	1
	13	01684	(10000000- 20000000) Washer, Flat, 0.27b 0.69d .05, Ss	3
	14	140154	(10000000- 20000000) Sleeve, P/M, 0.25b 0.38d 0.3l, PI	2
	15	08712	(10000000- 20000000) Nut, Hex, Lock, M6 X 1.00, NI, Ss	1
	16	1230075	(10000000- 20000000) Cable, Glv .13d 15.0l .38eye /.38eye	1
	17	12277	(10000000- 20000000) Screw, Hex, M6 X 1.00 X 20, NI, Ss	1
	18	1062016	(10000000- 20000000) Isolator, Vib, .75d	3

▽ ASSEMBLY

▲ INCLUDED IN ASSEMBLY

RECOVERY TANK COVER GROUP

355602



RECOVERY TANK COVER GROUP

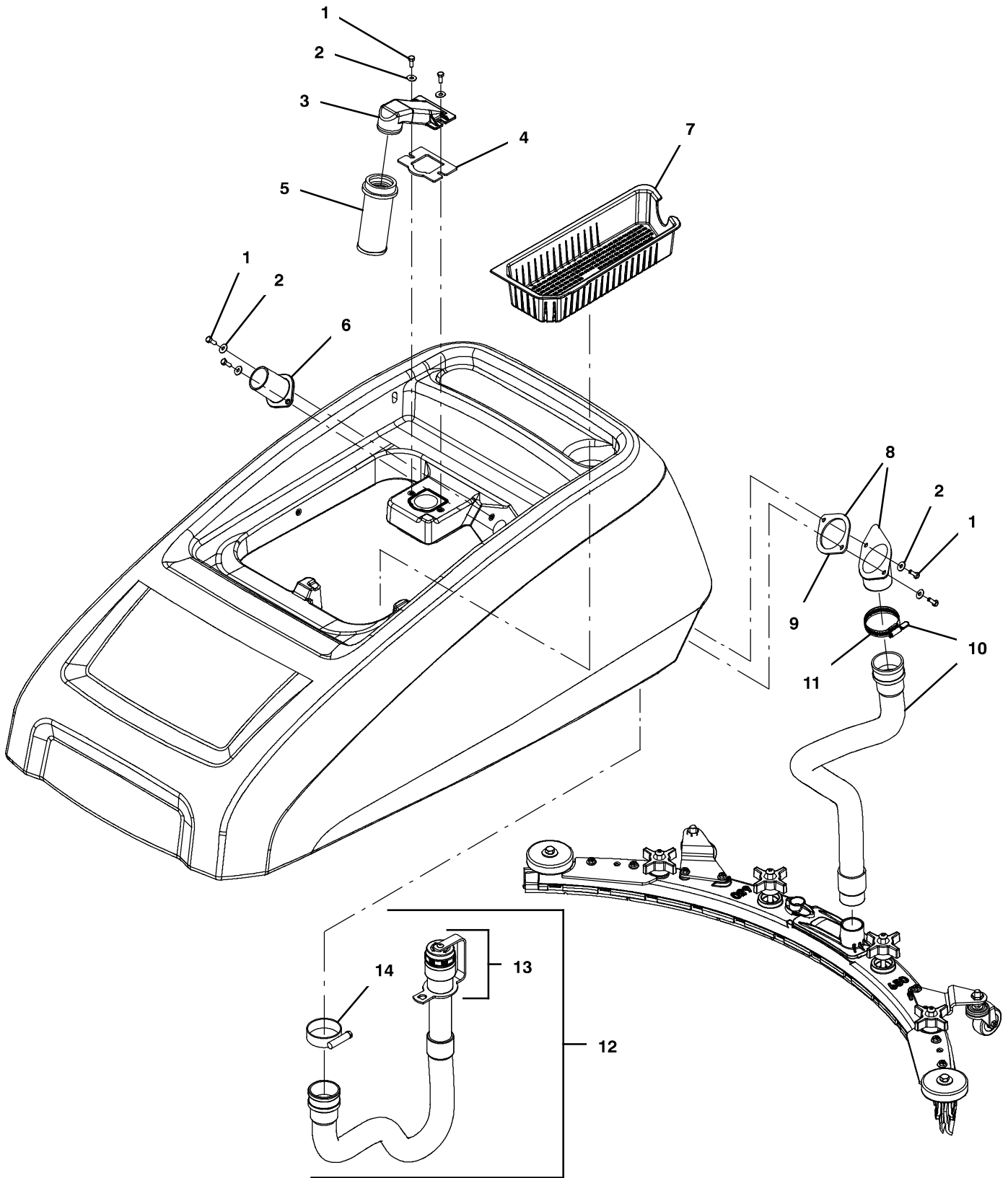
Ref.	Part No.	Serial Number	Description	Qty.
▽	1	9016824	(10000000- 20000000) Cover,Tank, Recvy, Afmkt [T600, Na Wlab] (With Label)	1
▲	2	1066433	(10000000- 20000000) Seal, Afmkt, Bulb, Dual, 08ft [F/.30gap]	1
▽	1	9016889	(10000000- 20000000) Cover,Tank, Recvy, Afmkt [T600, Ce] (Brazil)	1
▲	2	1066433	(10000000- 20000000) Seal, Afmkt, Bulb, Dual, 08ft [F/.30gap]	1
	3	1230116	(10000000- 20000000) Bar, Rnd, Plstc, 0.31d 18.4l	1
	4	1229908	(10000000- 20000000) Bracket, Mtg, Rod, Prop	1
	5	01685	(10000000- 20000000) Washer, Flat, 0.38b 0.88d .08, Ss	1
	6	08713	(10000000- 20000000) Nut, Hex, Lock, M8 X 1.25, NI, Ss	1
	7	1018155	(10000000- 20000000) Screw, Pan, Phl, M5 X 0.80 X 16, Tcut,Ss	1
	8	1034731	(10000000- 20000000) Screw, Hex, M6 X 1.00 X 16, Sems, Ss	1
	9	360460	(10000000- 20000000) Sleeve, P/M, 0.34b 0.63d 0.4l, Ss / Oil	1
	10	1229911	(10000000- 20000000) Plate Wldt, Cover, Rcvy	1
	11	230735	(10000000- 20000000) Sleeve, P/M, Flng, 0.33b 0.75/0.50d 0.8l	1
	12	01684	(10000000- 20000000) Washer, Flat, 0.27b 0.69d .05, Ss	1
	13	12277	(10000000- 20000000) Screw, Hex, M6 X 1.00 X 20, NI, Ss	1

▽ ASSEMBLY

▲ INCLUDED IN ASSEMBLY

RECOVERY TANK FILTER AND HOSE GROUP, PINCH TWIST CAP

355600



RECOVERY TANK FILTER AND HOSE GROUP, PINCH TWIST CAP

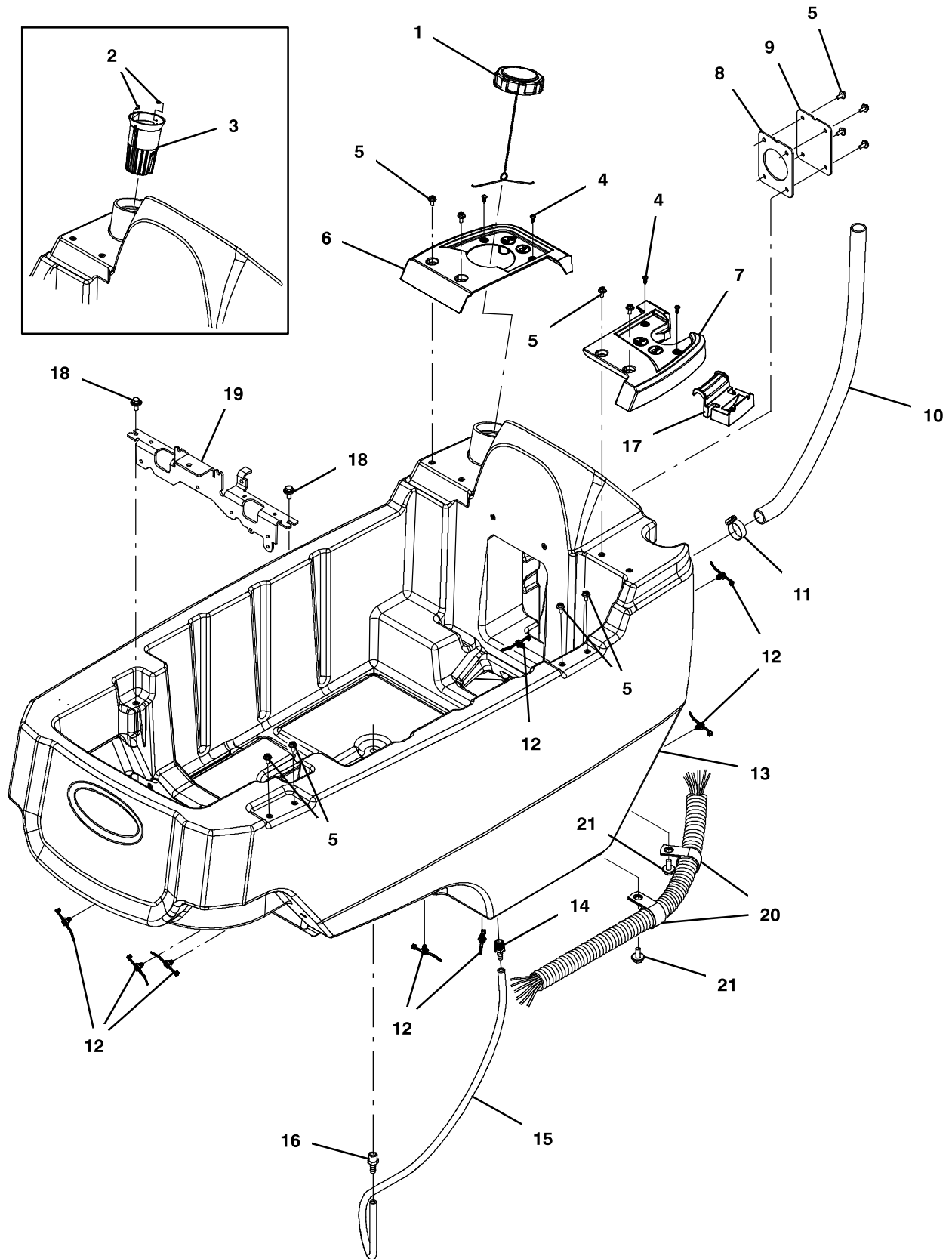
Ref.	Part No.	Serial Number	Description	Qty.	
1	11329	(10000000- 20000000)	Screw, Hex, M6 X 1.00 X 16, NI, Ss	6	
2	01684	(10000000- 20000000)	Washer, Flat, 0.27b 0.69d .05, Ss	6	
3	1011777	(10000000- 20000000)	Mount, Float, Mold	1	
4	1013628	(10000000- 20000000)	Gasket, Mtg, Float, .125th, Neo, Adh	1	
5	609531	(10000000- 20000000)	Float, Shutoff, Vacuum, 1- Ball, 1.50d	1	
6	1229076	(10000000- 20000000)	Tube, Adapter, 1.7d [T600]	1	
7	1230171	(10000000- 20000000)	Tray, Debris [T600]	1	
▽	8	9017581	(10000000- 20000000)	Tube Kit, Adapter, Afmkt [T600/T600e]	1
▲	9	1230613	(10000000- 20000000)	Gasket, Adapter, Hose, Neo	1
▽	10	9017505	(10000000- 20000000)	Hose Kit, Recvy, Pvc, Ci [T600/T600e] (Black)	1
▲	11	1243301	(10000000- 20000000)	Clamp, Wormdrive, 2.0d, .56w	1
▽	12	9017507	(10000000- 20000000)	Hose Kit, Drain, Pvc, Ci [T600/T600e] (Black)	1
▲▽	13	1232385	(10000000- 20000000)	Cap, Drain Assy [Black, T500e]	1
▲▲		1008637	(10000000- 20000000)	Seal, Org, 1.48id 1.76od	1
▲	14	22297	(10000000- 20000000)	Clamp, Hose, Wormdrive, 1.56- 2.50d, .50w	1

▽ ASSEMBLY

▲ INCLUDED IN ASSEMBLY

SOLUTION TANK GROUP, STANDARD FILL

355617

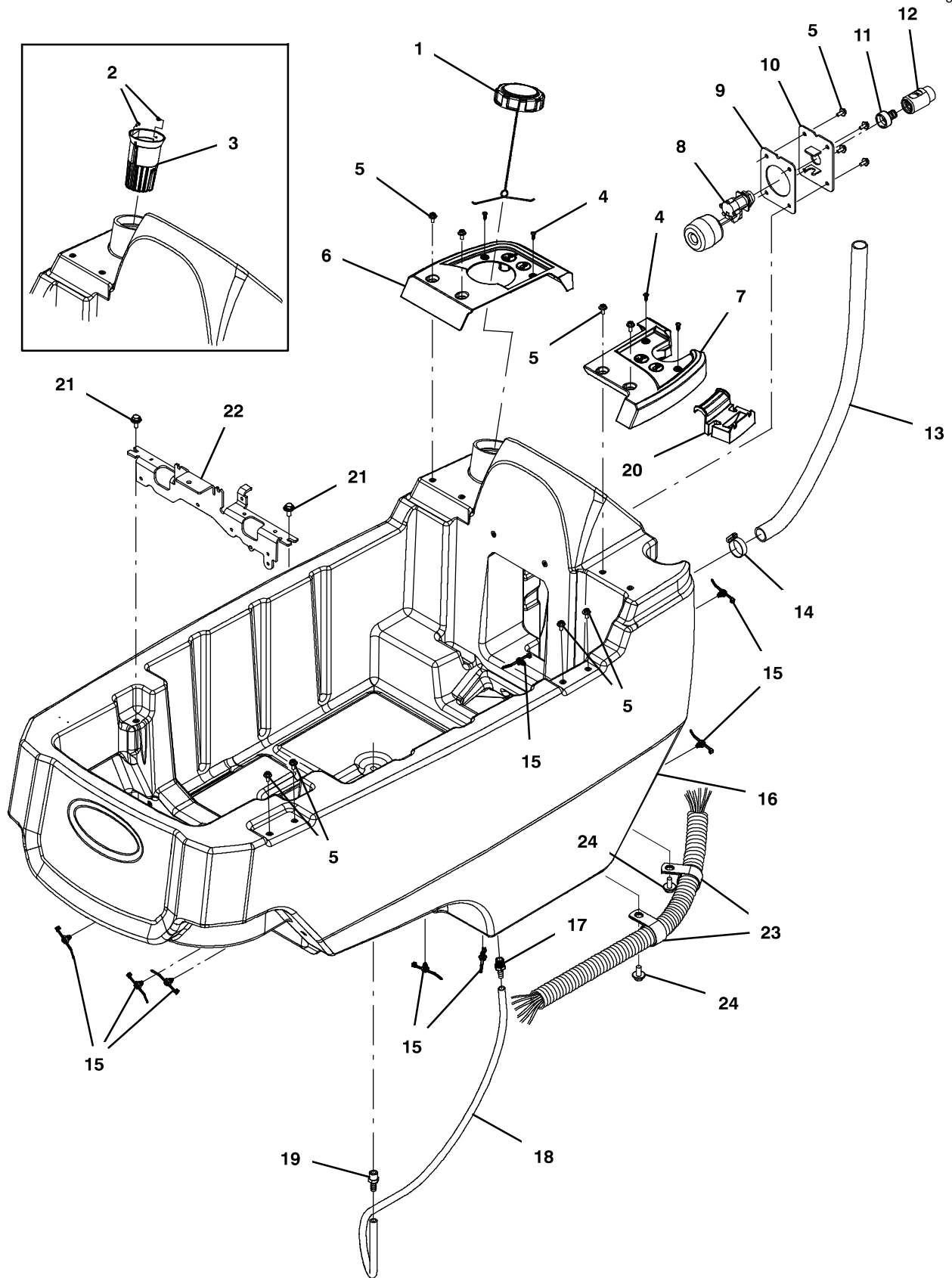


SOLUTION TANK GROUP, STANDARD FILL

Ref.	Part No.	Serial Number	Description	Qty.
1	1011885	(10000000- 20000000)	Cap, Tank	1
2	3701.6	(10000000- 10923837)	Screw, Pan, Phl, 06- 32 X 0.38, Shtmtl,Ss	2
3	1231617	(10000000- 10923837)	Strainer, Port, Fill, Taper	1
4	1018155	(10000000- 20000000)	Screw, Pan, Phl, M5 X 0.80 X 16, Tcut,Ss	4
5	1034731	(10000000- 20000000)	Screw, Hex, M6 X 1.00 X 16, Sems, Ss	12
6	1232011	(10000000- 20000000)	Tray, Accssry, Fill, Rh [T600/T600e]	1
7	1228885	(10000000- 20000000)	Tray, Accssry, Drain, Lh [T600/T600e]	1
8	1228286	(10000000- 20000000)	Gasket, Bracket, Fill, Auto	1
9	1229588	(10000000- 20000000)	Bracket, Cover, Fill	1
10	9015728	(10000000- 20000000)	Hose Kit, Drain, Soln, Ci [T500/T500e]	1
11	11399	(10000000- 20000000)	Clamp, Hose, Wormdrive, 0.81- 1.50d, .50w	1
12	1210807	(10000000- 20000000)	Wire, Tie [W/.25" Fir Tree Clip]	7
13	9016823	(10000000- 20000000)	Tank, Soltn, Afmkt [T600, T600e] (With Labels)	1
14	1233349	(10000000- 20000000)	Fitting, Plstc, Str, Bm06/Pm06 [Vented]	1
15	41295	(10000000- 20000000)	Hose, Pvc, Clr, 0.38id 0.56od 048.0l	1
16	150538	(10000000- 20000000)	Fitting, Plstc, Str, Bm06/Pm06	1
17	1214292	(10000000- 20000000)	Bracket, Hanger, Rail, Lrg (Option)	1
18	1020341	(10000000- 20000000)	Screw, Hex, M8 X 1.25 X 20, Ss, Sems	2
19	1229460	(10000000- 20000000)	Bracket, Sppt	1
20	53466	(10000000- 20000000)	Clamp, Cable, Stl, 1.50d X 1.00w, 1hole	2
21	1020341	(10000000- 20000000)	Screw, Hex, M8 X 1.25 X 20, Ss, Sems	2

SOLUTION TANK GROUP, AUTO-FILL

355603

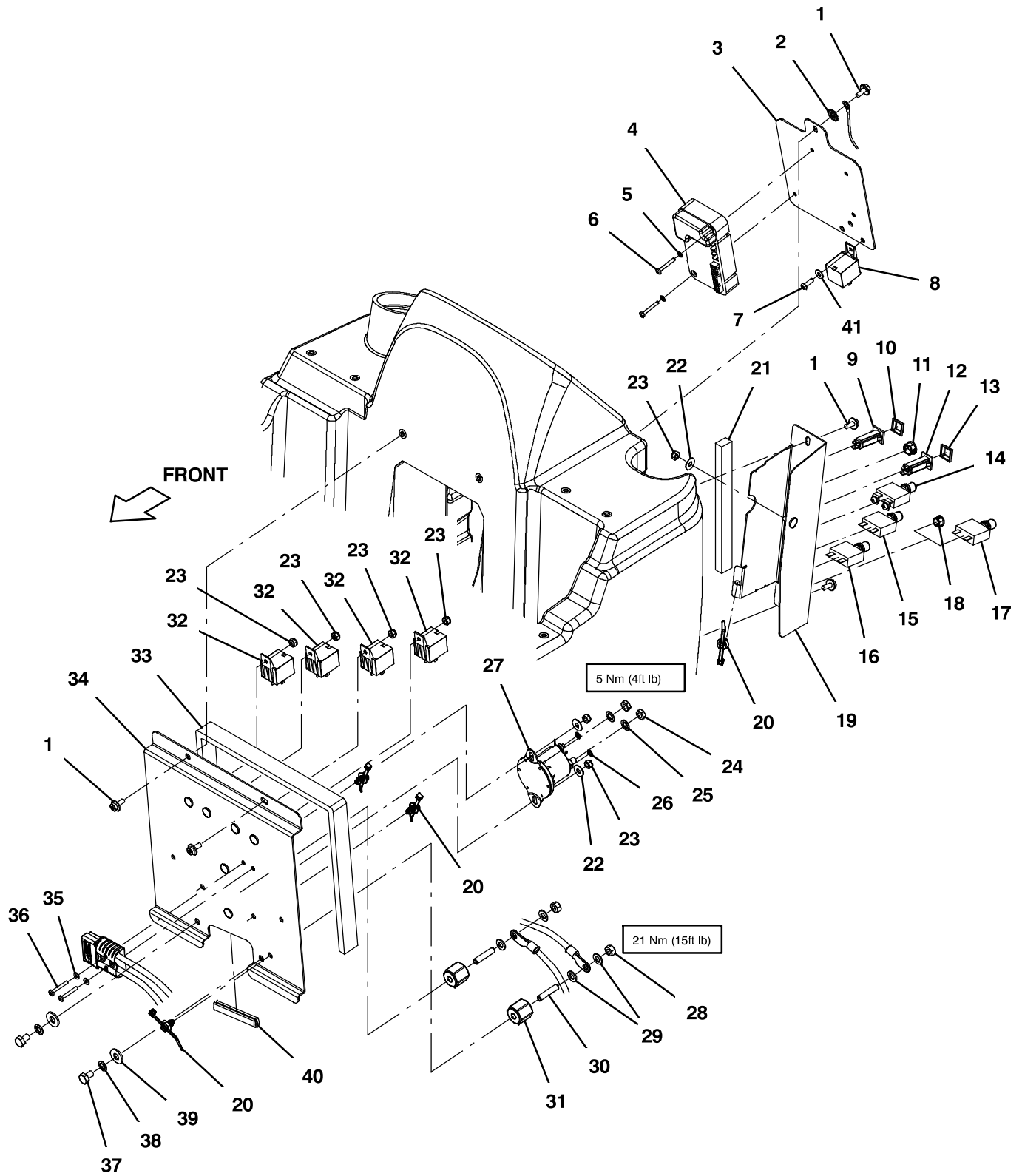


SOLUTION TANK GROUP, AUTO-FILL

Ref.	Part No.	Serial Number	Description	Qty.
1	1011885	(10000000- 20000000)	Cap, Tank	1
2	3701.6	(10000000- 10923837)	Screw, Pan, Phl, 06- 32 X 0.38, Shtmtl,Ss	2
3	1231617	(10000000- 10923837)	Strainer, Port, Fill, Taper	1
4	1018155	(10000000- 20000000)	Screw, Pan, Phl, M5 X 0.80 X 16, Tcut,Ss	4
5	1034731	(10000000- 20000000)	Screw, Hex, M6 X 1.00 X 16, Sems, Ss	12
6	1232011	(10000000- 20000000)	Tray, Accssry, Fill, Rh [T600/T600e]	1
7	1228885	(10000000- 20000000)	Tray, Accssry, Drain, Lh [T600/T600e]	1
8	1219566	(10000000- 20000000)	Valve, Float, 6.7gpm	1
9	1228286	(10000000- 20000000)	Gasket, Bracket, Fill, Auto	1
10	1231938	(10000000- 20000000)	Bracket Wldt, Fill, Auto	1
11	1227400	(10000000- 20000000)	Fitting, Plstc, Qd, Male	1
12	1227512	(10000000- 20000000)	Fitting, Plstc, Qd, Female	1
13	9015728	(10000000- 20000000)	Hose Kit, Drain, Soln, Ci [T500/T500e]	1
14	11399	(10000000- 20000000)	Clamp, Hose, Wormdrive, 0.81- 1.50d, .50w	1
15	1210807	(10000000- 20000000)	Wire, Tie [W/.25" Fir Tree Clip]	7
16	9016823	(10000000- 20000000)	Tank, Soltn, Afmkt [T600, T600e] (With Labels)	1
17	1233349	(10000000- 20000000)	Fitting, Plstc, Str, Bm06/Pm06 [Vented]	1
18	41295	(10000000- 20000000)	Hose, Pvc, Clr, 0.38id 0.56od 048.0l	1
19	150538	(10000000- 20000000)	Fitting, Plstc, Str, Bm06/Pm06	1
20	1214292	(10000000- 20000000)	Bracket, Hanger, Rail, Lrg (Option)	1
21	1020341	(10000000- 20000000)	Screw, Hex, M8 X 1.25 X 20, Ss, Sems	2
22	1229460	(10000000- 20000000)	Bracket, Sppt	1
23	53466	(10000000- 20000000)	Clamp, Cable, Stl, 1.50d X 1.00w, 1hole	2
24	1020341	(10000000- 20000000)	Screw, Hex, M8 X 1.25 X 20, Ss, Sems	2

STANDARD ELECTRICAL GROUP (T600e MODEL)

355650



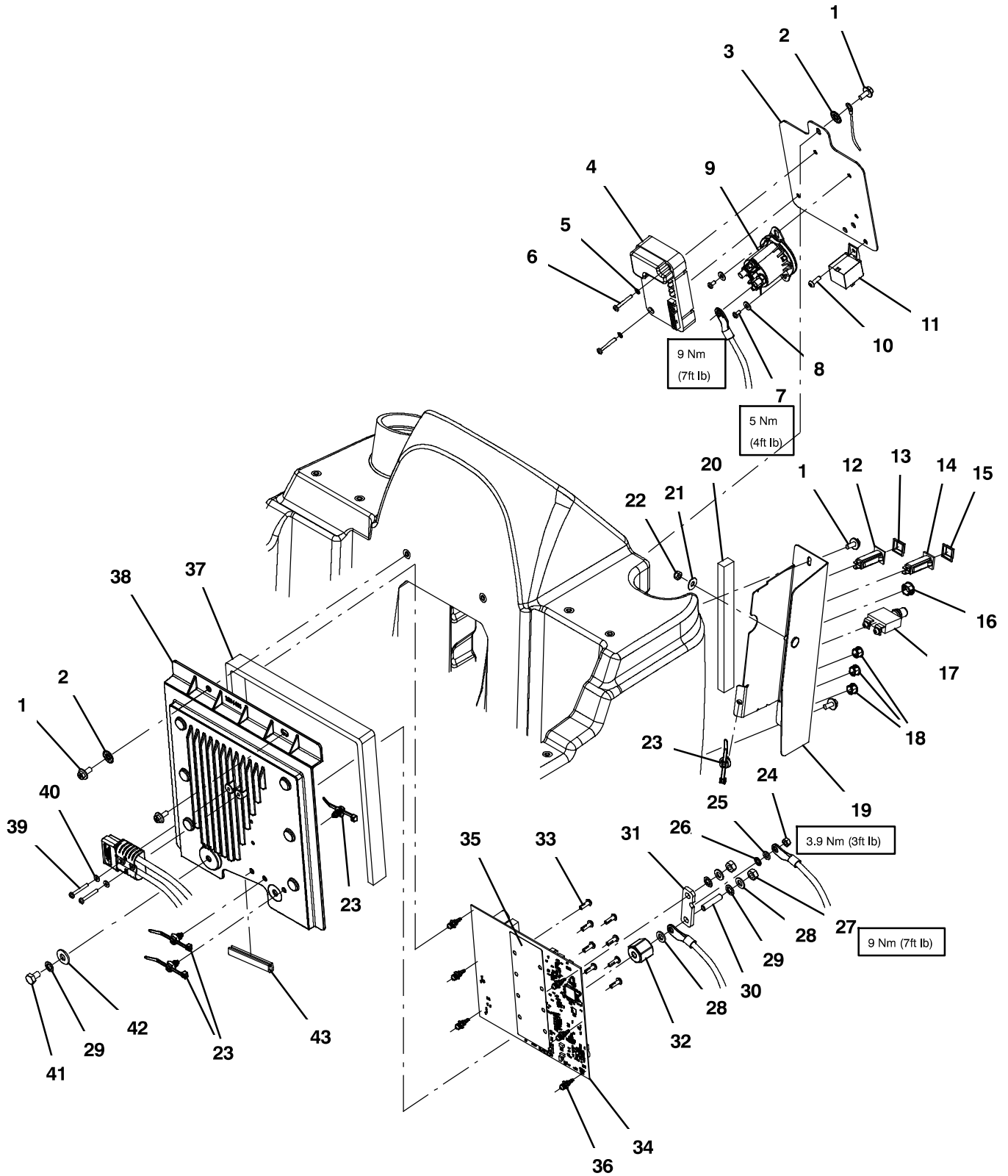
STANDARD ELECTRICAL GROUP (T600e MODEL)

Ref.	Part No.	Serial Number	Description	Qty.
1	1034731	(10000000- 20000000)	Screw, Hex, M6 X 1.00 X 16, Sems, Ss	3
2	41140	(10000000- 20000000)	Washer, Lock, Int- Ext, 0.25	2
3	1232434	(10000000- 20000000)	Bracket Wldt, Mtg, Control, Full	1
4	9017641*	(10000000- 20000000)	Controller Kit, Drive, Ci [T600/T600e]	1
5	02938	(10000000- 20000000)	Washer, Lock, Int, 08, Ss	2
6	33931	(10000000- 20000000)	Screw, Pan, Phl, M4 X 0.70 X 30, Ss	2
7	579237	(10000000- 20000000)	Screw, Pan, Phl, M4 X 0.70 X 12, Ss	1
8	1229172	(10990975- 20000000)	Relay, 36vdc, 025a, Spdt (All Models)	1
8	1229172	(10000000- 10990974)	Relay, 36vdc, 025a, Spdt (ABW & ecH2O Models)	1
9	1064184	(10000000- 20000000)	Circuitbreaker, 02.5a, Resetable (Key Switch)	1
10	1064191	(10000000- 20000000)	Boot, Circuitbreaker	1
11	1058340	(10000000- 20000000)	Plug, Hole, Rnd, 0.63h 0.1l, Blk	1
12	1064187	(10000000- 20000000)	Circuitbreaker, 10.0a, Resetable (Actuator)	1
13	1064191	(10000000- 20000000)	Boot, Circuitbreaker	1
14	383727	(10000000- 20000000)	Circuitbreaker, 40.0a, Resetable (I- Drive)	1
15	383724	(10000000- 20000000)	Circuitbreaker, 25.0a, Resetable (Vacuum Fan)	1
16	383725	(10000000- 20000000)	Circuitbreaker, 30.0a, Resetable (Left Scrub Motor Disk & Cylid)	1
16	383725	(10000000- 20000000)	Circuitbreaker, 30.0a, Resetable (Scrub Motor Orbital)	1
17	383725	(10000000- 20000000)	Circuitbreaker, 30.0a, Resetable (Right Scrub Motor Disk & Cylid)	1
18	1232354	(10000000- 20000000)	Plug, Hole, Double D, 12.7 Dia (Orbital Head Only)	1
19	9016844	(10000000- 20000000)	Bracket, Circuitbreaker, Afrmkt [T600]	5
20	1210807	(10000000- 20000000)	Wire, Tie [W/.25" Fir Tree Clip]	4
21	1230333	(10000000- 20000000)	Gasket, Neo, .50 X .75, Psa	1
22	01684	(10000000- 20000000)	Washer, Flat, 0.27b 0.69d .05, Ss	3
23	08712	(10000000- 20000000)	Nut, Hex, Lock, M6 X 1.00, NI, Ss	7
24	20170	(10000000- 20000000)	Nut, Hex, Jam, .31- 24	2
25	32984	(10000000- 20000000)	Washer, Lock, Int, 0.31	2
26	32980	(10000000- 20000000)	Washer, Lock, Int, 10	2
27	1228368	(10000000- 20000000)	Relay, 36vdc, 125a, No	1
28	41361	(10000000- 20000000)	Nut, Hex, Std, M8 X 1.25, Brs	2
29	1209373	(10000000- 20000000)	Washer, Flat, M8.4b X 16d X 1.6, Brs	4
30	607461	(10000000- 20000000)	Screw, Set, M8 X 1.25 X 35, NI	1
31	1205345	(10000000- 20000000)	Stand- Off, Wir, M8, Insulator, Panel	2
32	1229172	(10000000- 20000000)	Relay, 36vdc, 025a, Spdt	4
33	1219045	(10000000- 20000000)	Gasket, Cover, Circuitboard	1
34	1229346	(10000000- 20000000)	Plate Wldt, Mtg, Ele	1
35	41578	(10000000- 20000000)	Washer, Flat, 06, Ss	2
36	33931	(10000000- 20000000)	Screw, Pan, Phl, M4 X 0.70 X 30, Ss	2
37	386868	(10000000- 20000000)	Screw, Hex, M8 X 1.25 X 12, Ss	2
38	43952	(10000000- 20000000)	Washer, Lock, Int, 0.31, Ss	2
39	01685	(10000000- 20000000)	Washer, Flat, 0.38b 0.88d .08, Ss	2
40	1020168	(10000000- 20000000)	Molding, Afrmkt, Trim, Pvc, .08 .11, 01ft	1
41	01683	(10000000- 20000000)	Washer, Flat, 10, Ss	1

* Requires Tennant *True* service or an authorized Tennant service provider.

STANDARD ELECTRICAL GROUP (T600 MODEL)

355649



STANDARD ELECTRICAL GROUP (T600 MODEL)

Ref.	Part No.	Serial Number	Description	Qty.	
1	1034731	(10000000- 20000000)	Screw, Hex, M6 X 1.00 X 16, Sems, Ss	3	
2	41140	(10000000- 20000000)	Washer, Lock, Int- Ext, 0.25	2	
3	1232434	(10000000- 20000000)	Bracket Wldt, Mtg, Control, Full	1	
4	9017641*	(10000000- 20000000)	Controller Kit, Drive, Ci [T600/T600e]	1	
5	02938	(10000000- 20000000)	Washer, Lock, Int, 08, Ss	2	
6	33931	(10000000- 20000000)	Screw, Pan, Phl, M4 X 0.70 X 30, Ss	2	
7	391403	(10000000- 20000000)	Screw, Pan, Phl, M4 X 0.70 X 8, Ss	2	
8	01683	(10000000- 20000000)	Washer, Flat, 10, Ss	2	
9	1228368	(10000000- 20000000)	Relay, 36vdc, 125a, No	1	
10	1205799	(10000000- 20000000)	Screw, Btn, M5 X 0.8 X 16, 8.8, NI, Torx	1	
11	1229172	(10000000- 20000000)	Relay, 36vdc, 025a, Spdt	1	
12	1064184	(10000000- 20000000)	Circuitbreaker, 02.5a, Resetable (Key Switch)	1	
13	1064191	(10000000- 20000000)	Boot, Circuitbreaker	1	
14	1064187	(10000000- 20000000)	Circuitbreaker, 10.0a, Resetable (Main Control Board)	1	
15	1064191	(10000000- 20000000)	Boot, Circuitbreaker	1	
16	1058340	(10000000- 20000000)	Plug, Hole, Rnd, 0.63h 0.1l, Blk	1	
17	383727	(10000000- 20000000)	Circuitbreaker, 40.0a, Resetable (I- Drive)	1	
18	1232354	(10000000- 20000000)	Plug, Hole, Double D, 12.7 Dia	3	
19	9016844	(10000000- 20000000)	Bracket, Circuitbreaker, Afmkt [T600]	1	
20	1230333	(10000000- 20000000)	Gasket, Neo, .50 X .75, Psa	1	
21	01684	(10000000- 20000000)	Washer, Flat, 0.27b 0.69d .05, Ss	1	
22	08712	(10000000- 20000000)	Nut, Hex, Lock, M6 X 1.00, NI, Ss	1	
23	1210807	(10000000- 20000000)	Wire, Tie [W/.25" Fir Tree Clip]	3	
24	1061910	(10000000- 20000000)	Nut, Hex, Std, M6 X 1.00, Brs	1	
25	1061918	(10000000- 20000000)	Washer, Flat, 0.25b 0.47d .06, Brs	1	
26	07515	(10000000- 20000000)	Washer, Lock, Int, 0.25, Ss	1	
27	41361	(10000000- 20000000)	Nut, Hex, Std, M8 X 1.25, Brs	2	
28	1209373	(10000000- 20000000)	Washer, Flat, M8.4b X 16d X 1.6, Brs	3	
29	43952	(10000000- 20000000)	Washer, Lock, Int, 0.31, Ss	3	
30	607461	(10000000- 20000000)	Screw, Set, M8 X 1.25 X 35, NI	1	
31	1212780	(10000000- 20000000)	Busbar, 125a 0.188 0.750w 2.638l	1	
32	1205345	(10000000- 20000000)	Stand- Off, Wir, M8, Insulator, Panel	1	
33	1205799	(10000000- 20000000)	Screw, Btn, M5 X 0.8 X 16, 8.8, NI, Torx	8	
▽	34	9017501	(10000000- 20000000)	Circuitboard Kit, Ci [T600]	1
▲	27964	(10000000- 20000000)	Strap, Ground, Static, Disposable	1	
▲	1071235	(10000000- 20000000)	Cable [Usb, 2m, A- Male To Mini- B- Male]	1	
35	1220930	(10000000- 20000000)	Circuitboard, Silpad [T500, Main Scrub]	1	
36	1209448	(10000000- 20000000)	Standoff, Circuitboard, .25	6	
37	1219045	(10000000- 20000000)	Gasket, Cover, Circuitboard	1	
38	1234401	(10000000- 20000000)	Heatsink, Mtg, Circuitboard, Machined	1	
39	33931	(10000000- 20000000)	Screw, Pan, Phl, M4 X 0.70 X 30, Ss	2	
40	41578	(10000000- 20000000)	Washer, Flat, 06, Ss	2	
41	386868	(10000000- 20000000)	Screw, Hex, M8 X 1.25 X 12, Ss	1	
42	01685	(10000000- 20000000)	Washer, Flat, 0.38b 0.88d .08, Ss	1	
43	1020168	(10000000- 20000000)	Molding, Afmkt, Trim, Pvc, .08 .11, 01ft	1	

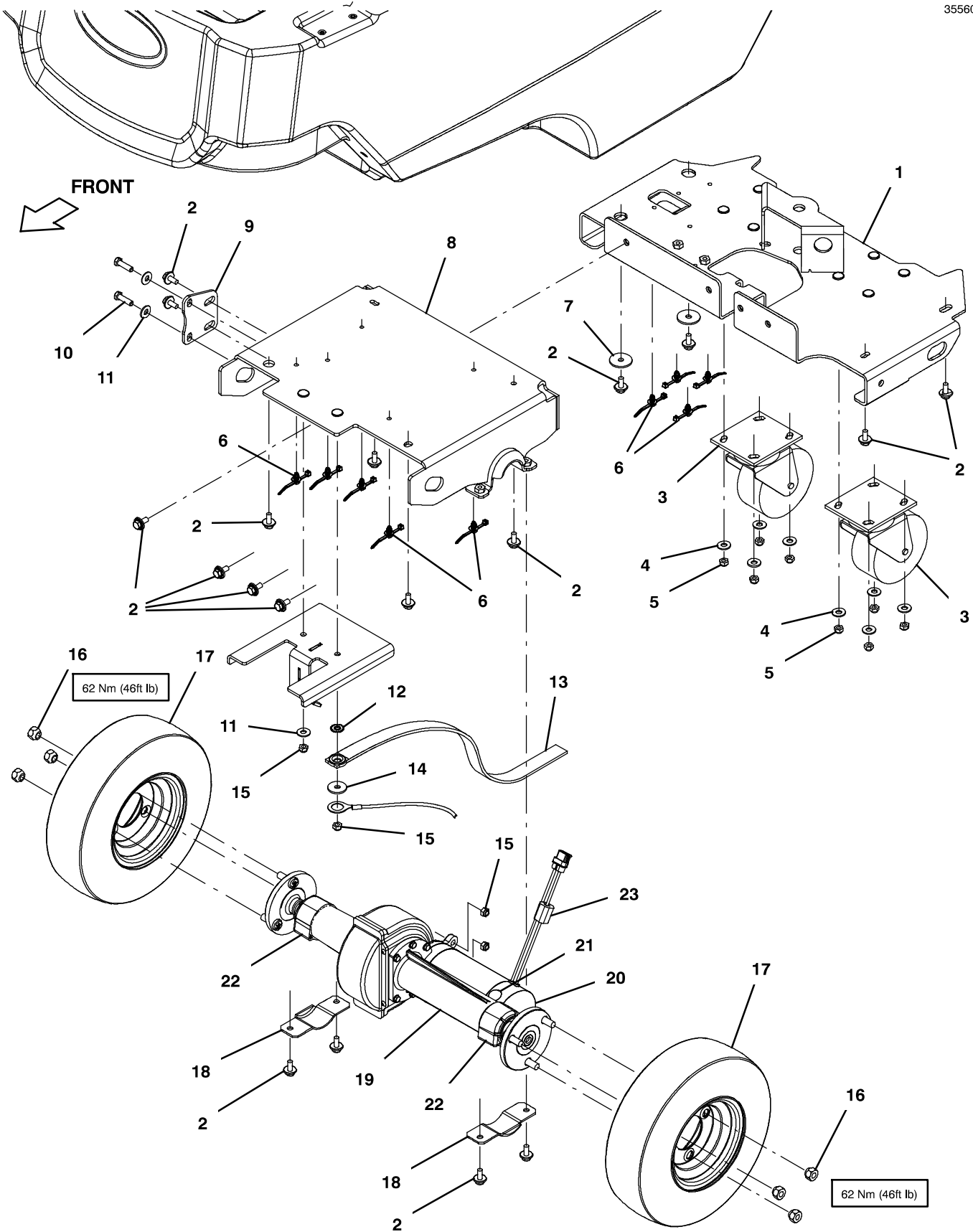
* Requires Tennant *True* service or an authorized Tennant service provider.

▽ ASSEMBLY

▲ INCLUDED IN ASSEMBLY

FRAME AND DRIVE GROUP, WITHOUT PARK LOCK

355606



FRAME AND DRIVE GROUP, WITHOUT PARK LOCK

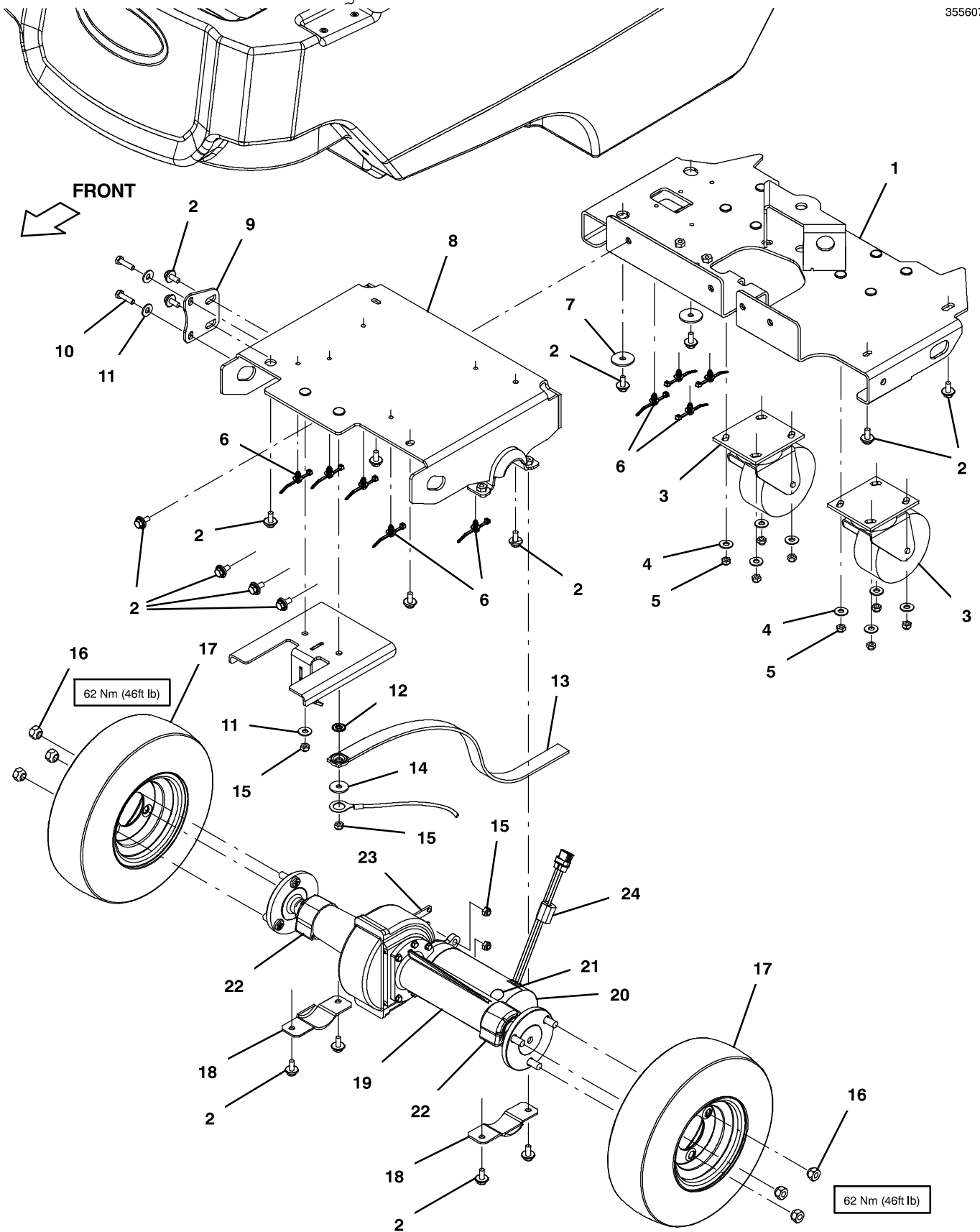
Ref.	Part No.	Serial Number	Description	Qty.	
1	9020933	(10982717- 20000000)	Frame, Afmkt [T600, T600e] (With Label) (Includes Bushings 1251209 Qty 2)	1	
1	9020773	(10975235- 10982716)	Frame, Afmkt [T600, T600e] (With Label) (Replaced By 9020933)	1	
1	9016858	(10000000- 10975234)	Frame, Afmkt [T600, T600e] (With Label) (Replaced By 9020933)	1	
2	1020341	(10000000- 20000000)	Screw, Hex, M8 X 1.25 X 20, Ss, Sems	18	
3	1049046	(10000000- 20000000)	Caster, Swivel, 5.0d 2.0w, 4hole, Gray	2	
4	01685	(10000000- 20000000)	Washer, Flat, 0.38b 0.88d .08, Ss	8	
5	08713	(10000000- 20000000)	Nut, Hex, Lock, M8 X 1.25, NI, Ss	8	
6	1210807	(10000000- 20000000)	Wire, Tie [W/.25" Fir Tree Clip]	9	
7	1016331	(10000000- 20000000)	Washer, Flat, 0.34b 1.25d .11, Ss	2	
8	1228962	(10000000- 20000000)	Frame Wldt, Front	1	
9	1230091	(10000000- 20000000)	Bracket, Frame, Anti- Rotate	1	
10	1016399	(10000000- 20000000)	Screw, Hex, M8 X 1.25 X 30, NI, Ss	2	
11	01685	(10000000- 20000000)	Washer, Flat, 0.38b 0.88d .08, Ss	3	
12	41141	(10000000- 20000000)	Washer, Lock, Int- Ext, 0.31	1	
13	71579	(10000000- 20000000)	Strap, Static, W/Grommet, .19 1.1w 25.0l	1	
14	01685	(10000000- 20000000)	Washer, Flat, 0.38b 0.88d .08, Ss	1	
15	08713	(10000000- 20000000)	Nut, Hex, Lock, M8 X 1.25, NI, Ss	4	
16	11109	(10000000- 20000000)	Nut, Wheel, .44- 20 X 60 Angle	6	
17	1244374	(AUG2020- 20000000)	Tire Assy, Foam, Blk, 4.10/3.5- 06 3.5bc/3bolt (Standard - Non Marking)	2	
17	1231001	(10940148- JUL2020)	Tire Assy, Foam, 4.10/3.5- 06 3.5bc/3bolt (Standard - Non Marking - Replaced by 1244374)	2	
17	1236073	(10000000- 10940147)	Tire Assy, Solid, 4.1/3.5- 06 3.5bc/3bolt (Standard) (Replaced By 1244374 - Order Qty2)	2	
17	1244372	(10944148- 20000000)	Tire Assy, Pneu, Blk, 4.10/3.5- 06 3.5bc (Option - Non Marking)	2	
17	1059450	(10000000- 10944147)	Tire Assy, Pneu, Blk, 4.10/3.5- 06 3.5bc (Option) (Replaced By 1244372)	2	
18	222036	(10000000- 20000000)	Bracket, Mtg, Isolator	2	
▽	19	1230428	(10000000- 20000000)	Transaxle Assy, W/O Park Lock	1
▲▽	20	1243083	(10000000- 20000000)	Vr, Motor Kit, Transaxle [T600/T600e]	1
▲▲	21	1072555	(10000000- 20000000)	Vr, Brush Kit, Motor 1072554/1243083	1
▲	22	222035	(10000000- 20000000)	Isolator, Vib, Transaxle	2
	23	1052126	(10963451- 20000000)	Inductor, 12.7mmid [156 Imp At 25mhz]	1

▽ ASSEMBLY

▲ INCLUDED IN ASSEMBLY

FRAME AND DRIVE GROUP, WITH PARK LOCK

355607



FRAME AND DRIVE GROUP, WITH PARK LOCK

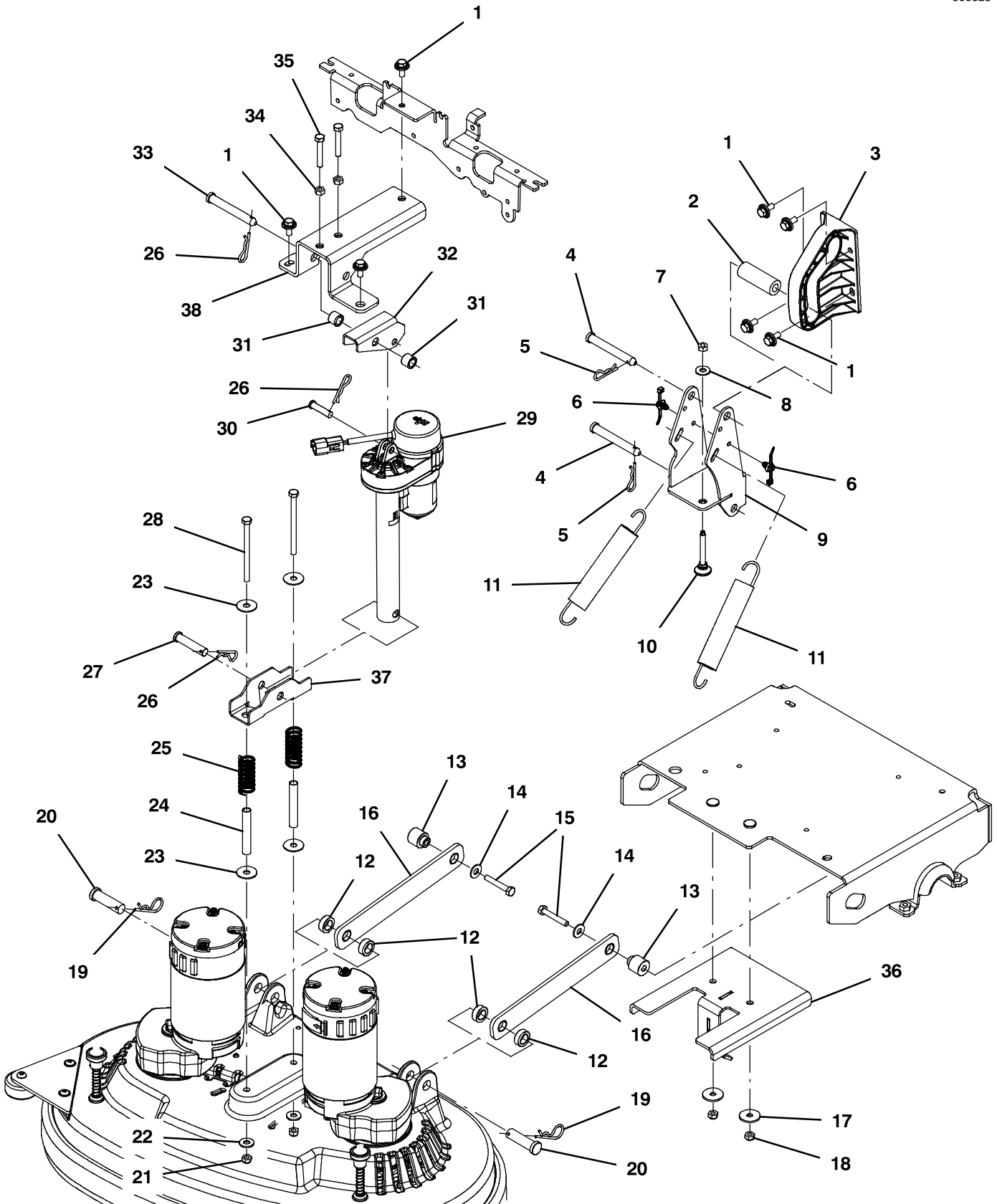
Ref.	Part No.	Serial Number	Description	Qty.	
1	9020933	(10982717- 20000000)	Frame, Afmkt [T600, T600e] (With Label) (Includes Bushings 1251209 Qty 2)	1	
1	9020773	(10975235- 10982716)	Frame, Afmkt [T600, T600e] (With Label) (Replaced By 9020933)	1	
1	9016858	(10000000- 10975234)	Frame, Afmkt [T600, T600e] (With Label) (Replaced By 9020933)	1	
2	1020341	(10000000- 20000000)	Screw, Hex, M8 X 1.25 X 20, Ss, Sems	18	
3	1049046	(10000000- 20000000)	Caster, Swivel, 5.0d 2.0w, 4hole, Gray	2	
4	01685	(10000000- 20000000)	Washer, Flat, 0.38b 0.88d .08, Ss	8	
5	08713	(10000000- 20000000)	Nut, Hex, Lock, M8 X 1.25, NI, Ss	8	
6	1210807	(10000000- 20000000)	Wire, Tie [W/.25" Fir Tree Clip]	9	
7	1016331	(10000000- 20000000)	Washer, Flat, 0.34b 1.25d .11, Ss	2	
8	1228962	(10000000- 20000000)	Frame Wldt, Front	1	
9	1230091	(10000000- 20000000)	Bracket, Frame, Anti- Rotate	1	
10	1016399	(10000000- 20000000)	Screw, Hex, M8 X 1.25 X 30, NI, Ss	2	
11	01685	(10000000- 20000000)	Washer, Flat, 0.38b 0.88d .08, Ss	3	
12	41141	(10000000- 20000000)	Washer, Lock, Int- Ext, 0.31	1	
13	71579	(10000000- 20000000)	Strap, Static, W/Grommet, .19 1.1w 25.0l	1	
14	01685	(10000000- 20000000)	Washer, Flat, 0.38b 0.88d .08, Ss	1	
15	08713	(10000000- 20000000)	Nut, Hex, Lock, M8 X 1.25, NI, Ss	4	
16	11109	(10000000- 20000000)	Nut, Wheel, .44- 20 X 60 Angle	6	
17	1244374	(AUG2020- 20000000)	Tire Assy, Foam, Blk, 4.10/3.5- 06 3.5bc/3bolt (Standard - Non Marking)	2	
17	1231001	(10940148- JUL2020)	Tire Assy, Foam, 4.10/3.5- 06 3.5bc/3bolt (Standard - Non Marking - Replaced by 1244374)	2	
17	1236073	(10000000- 10940147)	Tire Assy, Solid, 4.1/3.5- 06 3.5bc/3bolt (Standard) (Replaced By 1244374 - Order Qty2)	2	
17	1244372	(10944148- 20000000)	Tire Assy, Pneu, Blk, 4.10/3.5- 06 3.5bc (Option - Non Marking)	2	
17	1059450	(10000000- 10944147)	Tire Assy, Pneu, Blk, 4.10/3.5- 06 3.5bc (Option) (Replaced By 1244372)	2	
18	222036	(10000000- 20000000)	Bracket, Mtg, Isolator	2	
▽	19	1230422	(10000000- 20000000)	Transaxle Assy, [W/Park Lock]	1
▲▽	20	1243083	(10000000- 20000000)	Vr, Motor Kit, Transaxle [T600/T600e]	1
▲▲	21	1072555	(10000000- 20000000)	Vr, Brush Kit, Motor 1072554/1243083	1
▲	22	222035	(10000000- 20000000)	Isolator, Vib, Transaxle	2
▲	23	1074732	(10000000- 20000000)	Brake, Transaxle	1
	24	1052126	(10963451- 20000000)	Inductor, 12.7mmd [156 Imp At 25mhz]	1

▽ ASSEMBLY

▲ INCLUDED IN ASSEMBLY

HEAD LIFT GROUP, DISK

355628

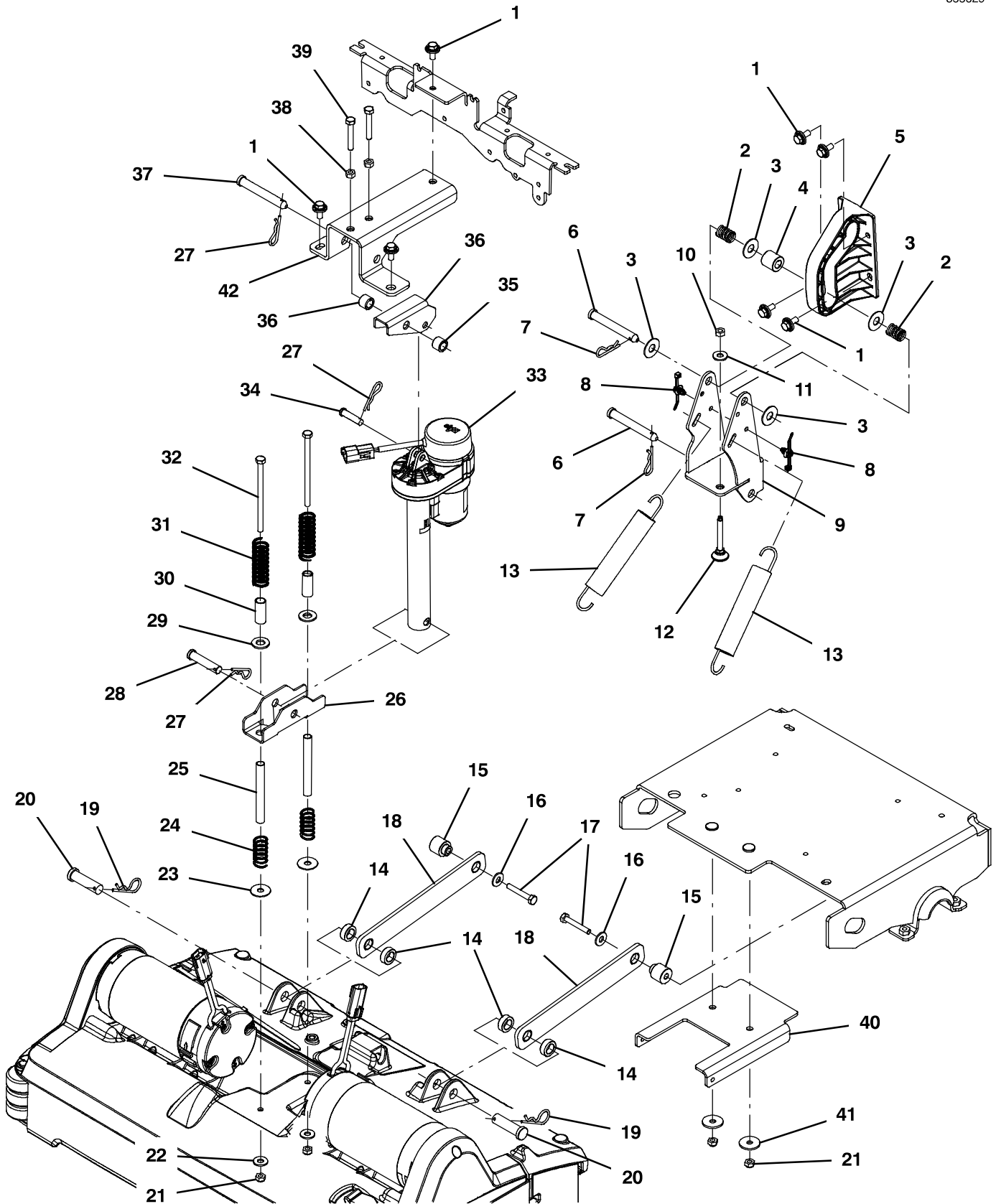


HEAD LIFT GROUP, DISK

Ref.	Part No.	Serial Number	Description	Qty.
1	1020341	(10000000- 20000000)	Screw, Hex, M8 X 1.25 X 20, Ss, Sems	7
2	1220305	(10000000- 20000000)	Tube, Plstc, 0.51id 0.98od 02.8l	1
3	1219912	(10000000- 20000000)	Bracket, Guide, Head[T500]	1
4	374225	(10000000- 20000000)	Pin, Clevis, 0.50d X 3.75l	2
5	140626	(10000000- 20000000)	Pin, Cotter, Hair, 0.25d .125 Wir	2
6	1210807	(10000000- 20000000)	Wire, Tie [W/.25" Fir Tree Clip]	2
7	07786	(10000000- 20000000)	Nut, Hex, Std, M8 X 1.25, Ss	1
8	01685	(10000000- 20000000)	Washer, Flat, 0.38b 0.88d .08, Ss	1
9	1221507	(10000000- 20000000)	Pivot Wldt, Head, Scrub [T500]	1
10	1227530	(10000000- 20000000)	Screw, Leveler, M8x75	1
11	222363	(10000000- 20000000)	Spring, Extn, 1.23od 0.15wir 06.5l	2
12	1235274	(10000000- 20000000)	Spacer, Head	4
13	1235275	(10000000- 20000000)	Spacer, Frame	2
14	01685	(10000000- 20000000)	Washer, Flat, 0.38b 0.88d .08, Ss	2
15	73399	(10000000- 20000000)	Screw, Hex, M8 X 1.25 X 50, NI, Ss	2
16	9016859	(10000000- 20000000)	Arm Assy, Lift, Hd, Scb, Afrmkt [T600]	2
17	1016331	(10000000- 20000000)	Washer, Flat, 0.34b 1.25d .11, Ss	2
18	08713	(10000000- 20000000)	Nut, Hex, Lock, M8 X 1.25, NI, Ss	2
19	02942	(10000000- 20000000)	Pin, Hair, Cotter, 0.62d .120 Wir	2
20	222210	(10000000- 20000000)	Pin, Clevis, 0.62d X 2.12l	2
21	08713	(10000000- 20000000)	Nut, Hex, Lock, M8 X 1.25, NI, Ss	2
22	01685	(10000000- 20000000)	Washer, Flat, 0.38b 0.88d .08, Ss	2
23	32662	(10000000- 20000000)	Washer, Flat, 0.38b 1.22d .06, Ss	4
24	1230697	(10000000- 20000000)	Sleeve, 0.4id .50d 3.2l	2
25	1230441	(10000000- 20000000)	Spring, Cmpr, 0.97od .11wir 2.50l (T600e / T600 Models)	2
25	1230442	(10000000- 20000000)	Spring, Cmpr, 0.93od .14wir 2.03l (T600e / T600 Heavy Down Pressure Models)	2
26	140626	(10000000- 20000000)	Pin, Cotter, Hair, 0.25d .125 Wir	3
27	11211	(10000000- 20000000)	Pin, Clevis, 0.50d X 2.25l	1
28	364441	(10000000- 20000000)	Screw, Hex, M8 X 1.25 X 110, Ss	2
29	9016971	(10000000- 20000000)	Actuator, Replmt, 36vdc, 04.4strk (T600e Model)	1
29	9016972	(10000000- 20000000)	Actuator, Replmt, 36vdc, 04.5strk [Hd] (T600e Heavy Down Pressure Model)	1
29	9016969	(10000000- 20000000)	Actuator, Replmt, 36vdc, 7.00strk (T600 / T600 Heavy Duty Down Pressure Models)	1
30	29558	(10000000- 20000000)	Pin, Clevis, 0.37d X 1.50l	1
31	1230044	(10000000- 20000000)	Sleeve, 0.50b 0.75d 0.59l	2
32	1229682	(10000000- 20000000)	Bracket, Mount, Tilt, Actuator [T600]	1
33	374225	(10000000- 20000000)	Pin, Clevis, 0.50d X 3.75l	1
34	07786	(10000000- 20000000)	Nut, Hex, Std, M8 X 1.25, Ss	2
35	578717	(10000000- 20000000)	Screw, Hex, M8 X 1.25 X 50, FI, Ss	2
36	1230097	(10000000- 20000000)	Bracket Wldt, Frame, Stop	1
37	1230622	(10000000- 20000000)	Brkt, Spring, Suspension, Head	1
38	1229680	(10000000- 20000000)	Bracket Wldt, Mount, Actuator [T600]	1

HEAD LIFT GROUP, CYLINDRICAL

355629

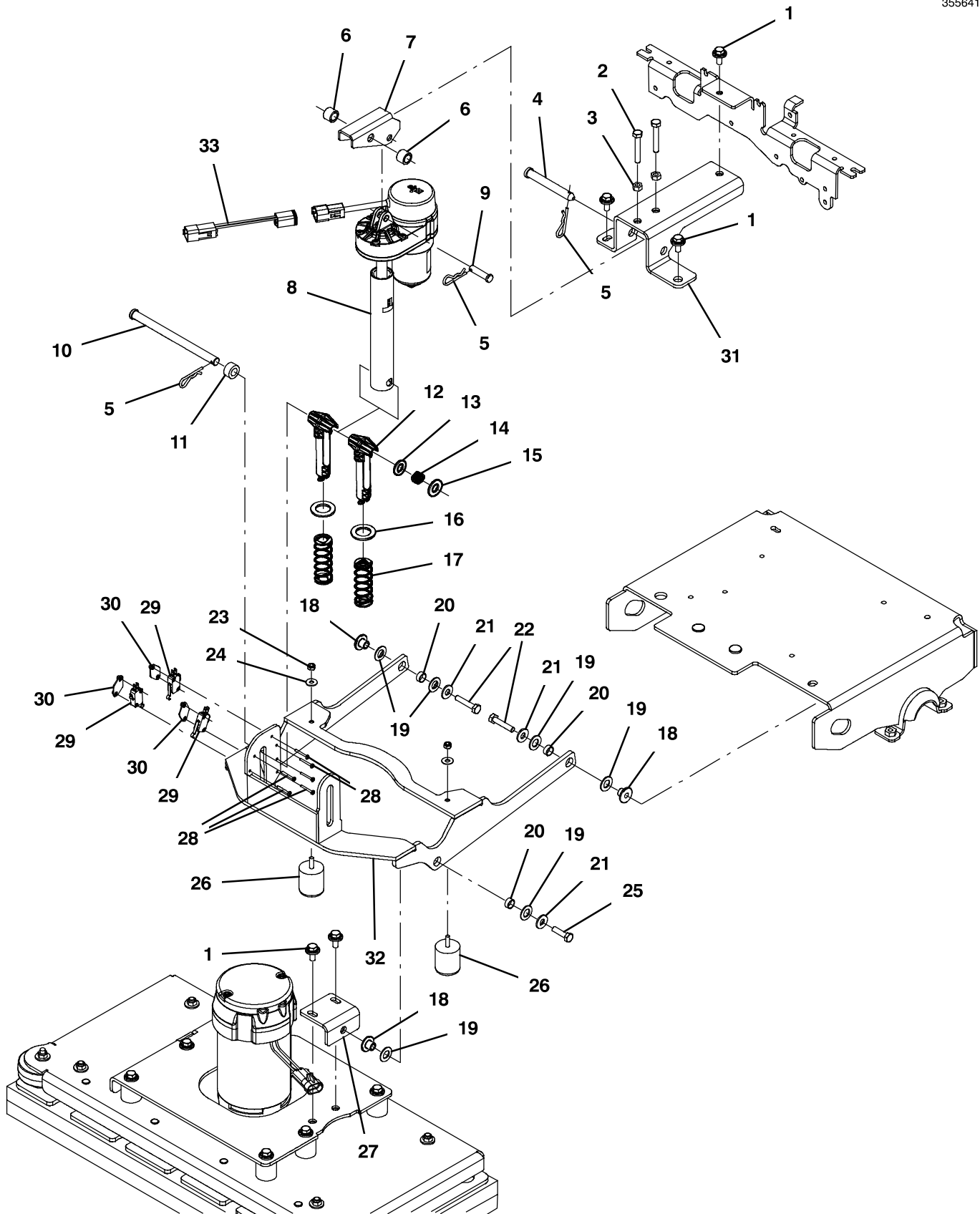


HEAD LIFT GROUP, CYLINDRICAL

Ref.	Part No.	Serial Number	Description	Qty.
1	1020341	(10000000- 20000000)	Screw, Hex, M8 X 1.25 X 20, Ss, Sems	7
2	607920	(10000000- 20000000)	Spring, Cmpr, 0.70od .10wir 01.0l, Mw	2
3	140045	(10000000- 20000000)	Washer, Flat, 0.51b 1.25d .06, Ss	4
4	1014020	(10000000- 20000000)	Roller, 0.99d 0.50b 0.95l, Acetal	1
5	1219912	(10000000- 20000000)	Bracket, Guide, Head[T500]	1
6	374225	(10000000- 20000000)	Pin, Clevis, 0.50d X 3.75l	2
7	140626	(10000000- 20000000)	Pin, Cotter, Hair, 0.25d .125 Wir	2
8	1210807	(10000000- 20000000)	Wire, Tie [W/.25" Fir Tree Clip]	2
9	1221507	(10000000- 20000000)	Pivot Wldt, Head, Scrub [T500]	1
10	07786	(10000000- 20000000)	Nut, Hex, Std, M8 X 1.25, Ss	1
11	01685	(10000000- 20000000)	Washer, Flat, 0.38b 0.88d .08, Ss	1
12	1227530	(10000000- 20000000)	Screw, Leveler, M8x75	1
13	222363	(10000000- 20000000)	Spring, Extn, 1.23od 0.15wir 06.5l	2
14	1235274	(10000000- 20000000)	Spacer, Head	4
15	1235275	(10000000- 20000000)	Spacer, Frame	2
16	01685	(10000000- 20000000)	Washer, Flat, 0.38b 0.88d .08, Ss	2
17	73399	(10000000- 20000000)	Screw, Hex, M8 X 1.25 X 50, NI, Ss	2
18	9016859	(10000000- 20000000)	Arm Assy, Lift, Hd, Scb, Afmkt [T600]	2
19	02942	(10000000- 20000000)	Pin, Hair, Cotter, 0.62d .120 Wir	2
20	222210	(10000000- 20000000)	Pin, Clevis, 0.62d X 2.12l	2
21	08713	(10000000- 20000000)	Nut, Hex, Lock, M8 X 1.25, NI, Ss	4
22	01685	(10000000- 20000000)	Washer, Flat, 0.38b 0.88d .08, Ss	2
23	32662	(10000000- 20000000)	Washer, Flat, 0.38b 1.22d .06, Ss	2
24	1230754	(10000000- 20000000)	Spring, Cmpr, 0.85od .09wir 1.86l	2
25	1219491	(10000000- 20000000)	Sleeve, 0.40id .50d 4.25l, Ss	2
26	1230622	(10000000- 20000000)	Brkt, Spring, Suspension, Head	1
27	140626	(10000000- 20000000)	Pin, Cotter, Hair, 0.25d .125 Wir	3
28	11211	(10000000- 20000000)	Pin, Clevis, 0.50d X 2.25l	1
29	32486	(10000000- 20000000)	Washer, Flat, 0.53b 1.06d .10, Stl, PI	2
30	1224334	(10000000- 20000000)	Sleeve, P/M, 0.51b 0.63d 1.5l, PI	2
31	1230753	(10000000- 20000000)	Spring, Cmpr, 0.97od .11wir 3.1l	2
32	387431	(10000000- 20000000)	Screw, Hex, M8 X 1.25 X 130, Ss	2
33	9016971	(10000000- 20000000)	Actuator, Replmt, 36vdc, 04.4strk (T600e Models)	1
33	9016969	(10000000- 20000000)	Actuator, Replmt, 36vdc, 7.00strk (T600 Models)	1
34	29558	(10000000- 20000000)	Pin, Clevis, 0.37d X 1.50l	1
35	1230044	(10000000- 20000000)	Sleeve, 0.50b 0.75d 0.59l	2
36	1229682	(10000000- 20000000)	Bracket, Mount, Tilt, Actuator [T600]	1
37	374225	(10000000- 20000000)	Pin, Clevis, 0.50d X 3.75l	1
38	07786	(10000000- 20000000)	Nut, Hex, Std, M8 X 1.25, Ss	2
39	578717	(10000000- 20000000)	Screw, Hex, M8 X 1.25 X 50, FI, Ss	2
40	1234936	(10000000- 20000000)	Bracket, Frame, Cyl, Stop	1
41	1016331	(10000000- 20000000)	Washer, Flat, 0.34b 1.25d .11, Ss	1
42	1229680	(10000000- 20000000)	Bracket Wldt, Mount, Actuator [T600]	1

HEAD LIFT GROUP, ORBITAL

355641

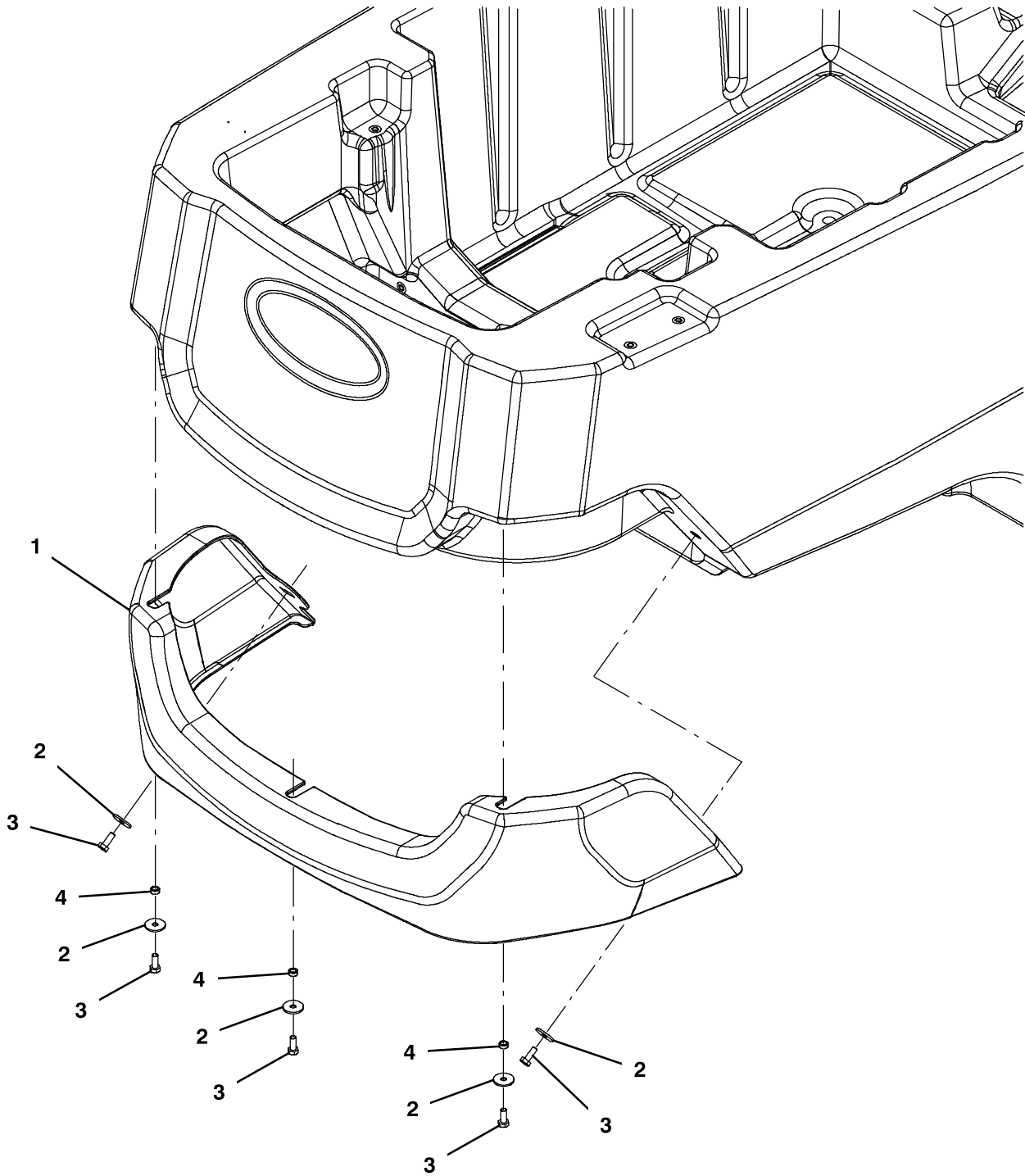


HEAD LIFT GROUP, ORBITAL

Ref.	Part No.	Serial Number	Description	Qty.
1	1020341	(10000000- 20000000)	Screw, Hex, M8 X 1.25 X 20, Ss, Sems	5
2	578717	(10000000- 20000000)	Screw, Hex, M8 X 1.25 X 50, Fl, Ss	2
3	07786	(10000000- 20000000)	Nut, Hex, Std, M8 X 1.25, Ss	2
4	374225	(10000000- 20000000)	Pin, Clevis, 0.50d X 3.75l	1
5	140626	(10000000- 20000000)	Pin, Cotter, Hair, 0.25d .125 Wir	3
6	1230044	(10000000- 20000000)	Sleeve, 0.50b 0.75d 0.59l	2
7	1229682	(10000000- 20000000)	Bracket, Mount, Tilt, Actuator [T600]	1
8	9016969	(10000000- 20000000)	Actuator, Replmt, 36vdc, 7.00strk	1
9	29558	(10000000- 20000000)	Pin, Clevis, 0.37d X 1.50l	1
10	1226754	(10000000- 20000000)	Pin, Clevis, .50d X 7.00l	1
11	1226759	(10000000- 20000000)	Spacer, .500 Id X .875 Od	1
12	1224233	(10000000- 20000000)	Pin, Guide, Spring, Head	2
13	1013936	(10000000- 20000000)	Washer, Flat, 0.51b 0.94d .10, Nyl	1
14	1226640	(10000000- 20000000)	Spring, Wave, .512 Id X .709 Od X .375	1
15	32486	(10000000- 20000000)	Washer, Flat, 0.53b 1.06d .10, Stl, PI	1
16	1225960	(10000000- 20000000)	Washer, Thrust, 0.89b 1.50d 0.13w, Bnz	2
17	1227036	(10000000- 20000000)	Spring, Cmpr, 1.10od .085wir 03.0l	2
18	1059990	(10000000- 20000000)	Sleeve, Flng, 0.32b 1.00/0.50d 0.6l, Ss	3
19	608562	(10000000- 20000000)	Washer, Flat, 0.51b 0.94d .06, Nyl	7
20	630188	(10000000- 20000000)	Bearing, Journal, .50id X .25l	4
21	01685	(10000000- 20000000)	Washer, Flat, 0.38b 0.88d .08, Ss	4
22	74440	(10000000- 20000000)	Screw, Hex, M8 X 1.25 X 40, NI, Ss	2
23	08712	(10000000- 20000000)	Nut, Hex, Lock, M6 X 1.00, NI, Ss	2
24	01684	(10000000- 20000000)	Washer, Flat, 0.27b 0.69d .05, Ss	2
25	1016399	(10000000- 20000000)	Screw, Hex, M8 X 1.25 X 30, NI, Ss	2
26	1061741	(10000000- 20000000)	Isolator, Neoprene, 1.25" X 1.25", M8	2
27	1224295	(10000000- 20000000)	Brkt Wldt, Lift	1
28	33933	(10000000- 20000000)	Screw, Pan, Phl, M3 X 0.50 X 25, Ss	4
29	1215716	(10000000- 20000000)	Switch, 0.1a, Spdt[Micro, Gold Contacts] (T600e Model)	2
29	1215716	(10000000- 20000000)	Switch, 0.1a, Spdt[Micro, Gold Contacts] (T600 Model)	3
30	1013705	(10000000- 20000000)	Plate, Thread, Switch, M3 Nut, 96hr PI (T600e Model)	2
30	1013705	(10000000- 20000000)	Plate, Thread, Switch, M3 Nut, 96hr PI (T600 Model)	3
31	1229680	(10000000- 20000000)	Bracket Wldt, Mount, Actuator [T600]	1
32	1221043	(10000000- 20000000)	Arm Wldt, Lift	1
33	1076594	(10959723- 20000000)	Cable 1/0ga 24.9l Blk[M12 Flag/M12 Flag] (T600e Model)	1

SHROUD GROUP, DISK AND ORBITAL

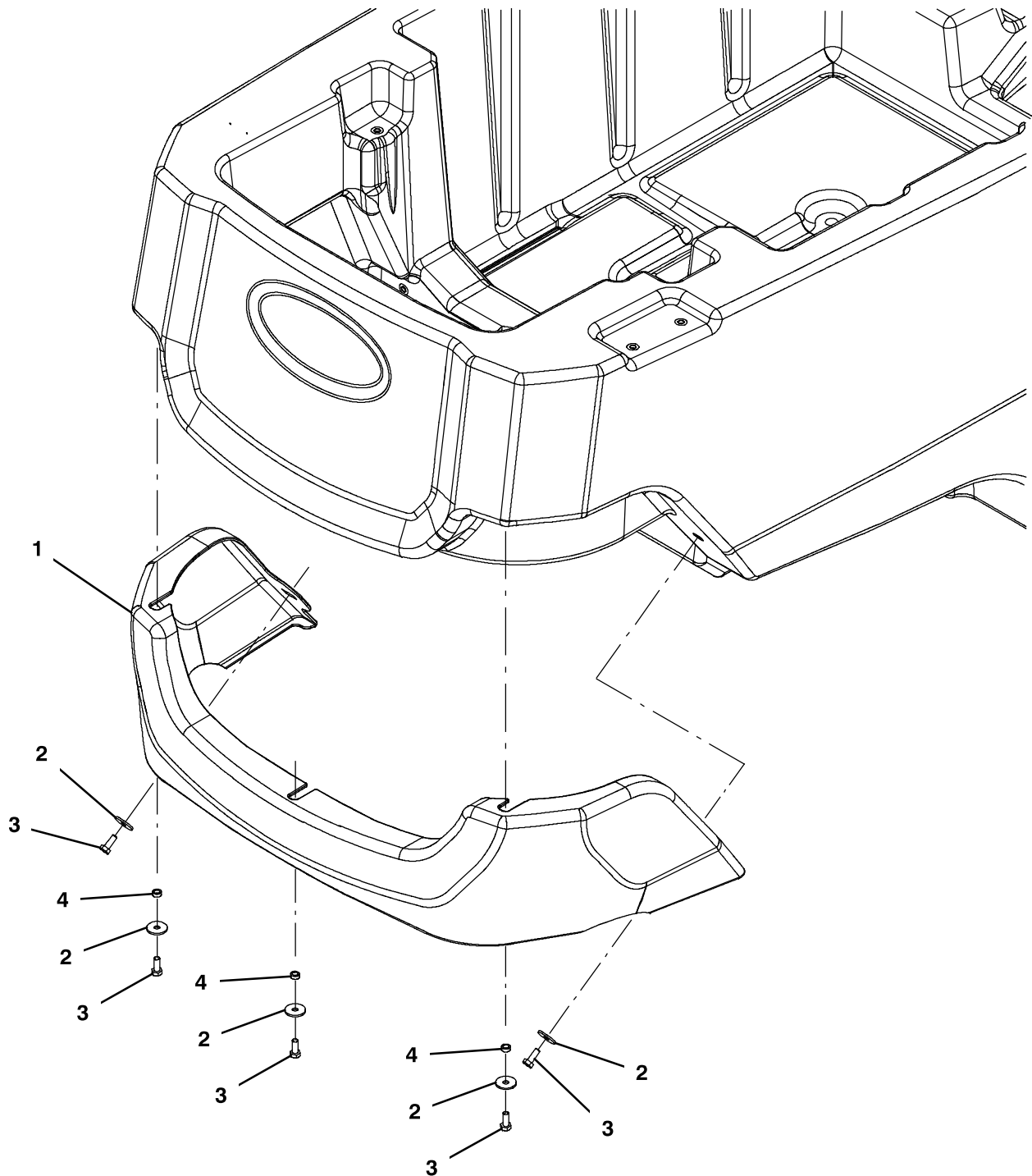
355604



Ref.	Part No.	Serial Number	Description	Qty.
1	1226928	(10000000- 20000000)	Cover, Head, Disc [T600]	1
2	19680127	(10000000- 20000000)	Washer, Flat, 6.2mm Id X 22.0mm Od X 1.9	5
3	11329	(10000000- 20000000)	Screw, Hex, M6 X 1.00 X 16, NI, Ss	5
4	80491	(10000000- 20000000)	Sleeve, P/M, 0.25b 0.38d 0.2l [430ss]	3

SHROUD GROUP, CYLINDRICAL

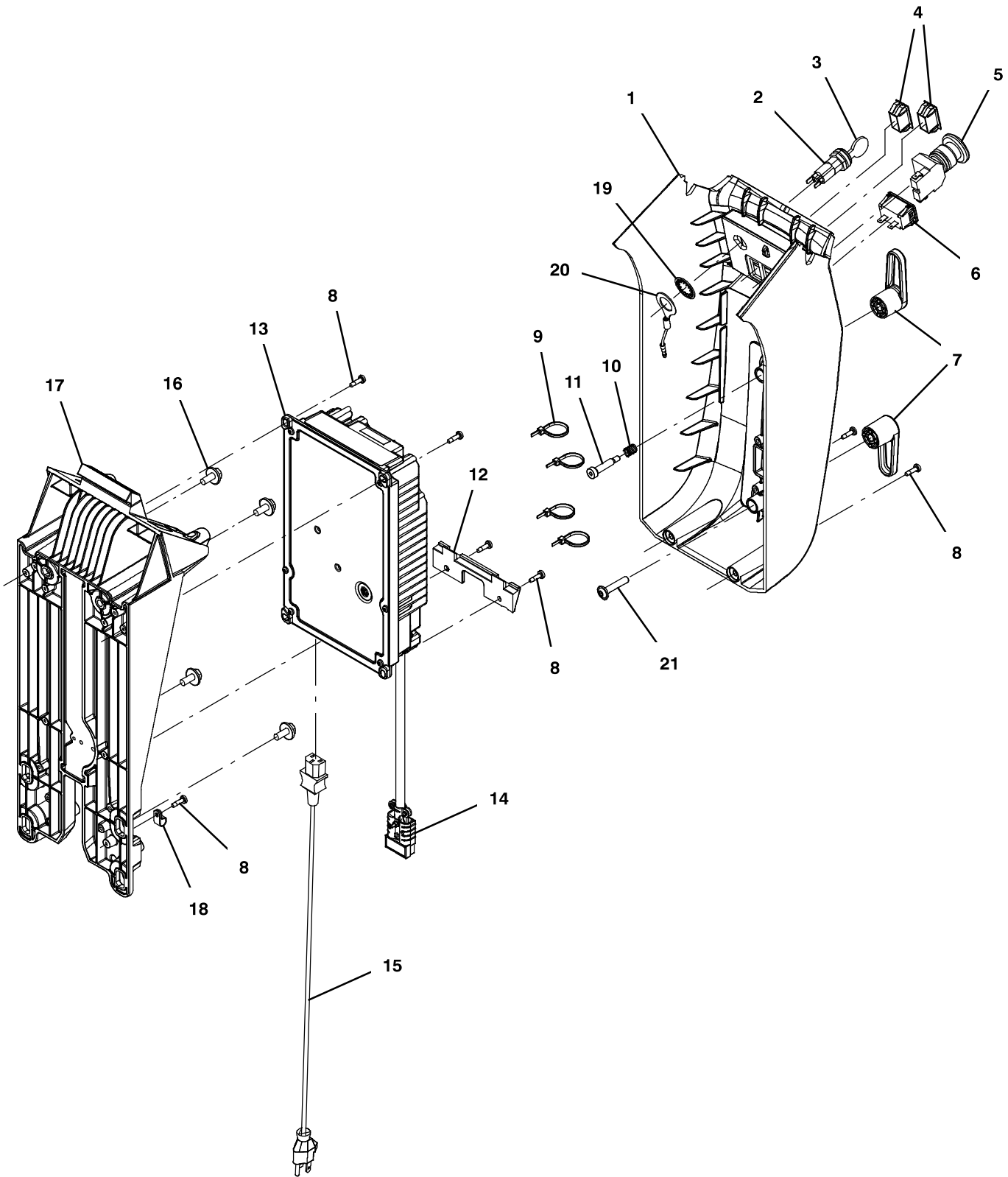
355605



Ref.	Part No.	Serial Number	Description	Qty.
1	1230034	(10000000- 20000000)	Cover, Head, CylrcI [T600]	1
2	19680127	(10000000- 20000000)	Washer, Flat, 6.2mm Id X 22.0mm Od X 1.9	5
3	11329	(10000000- 20000000)	Screw, Hex, M6 X 1.00 X 16, NI, Ss	5
4	80491	(10000000- 20000000)	Sleeve, P/M, 0.25b 0.38d 0.2l [430ss]	3

LOWER CONSOLE GROUP, ON-BOARD CHARGER

355608



LOWER CONSOLE GROUP, ON-BOARD CHARGER

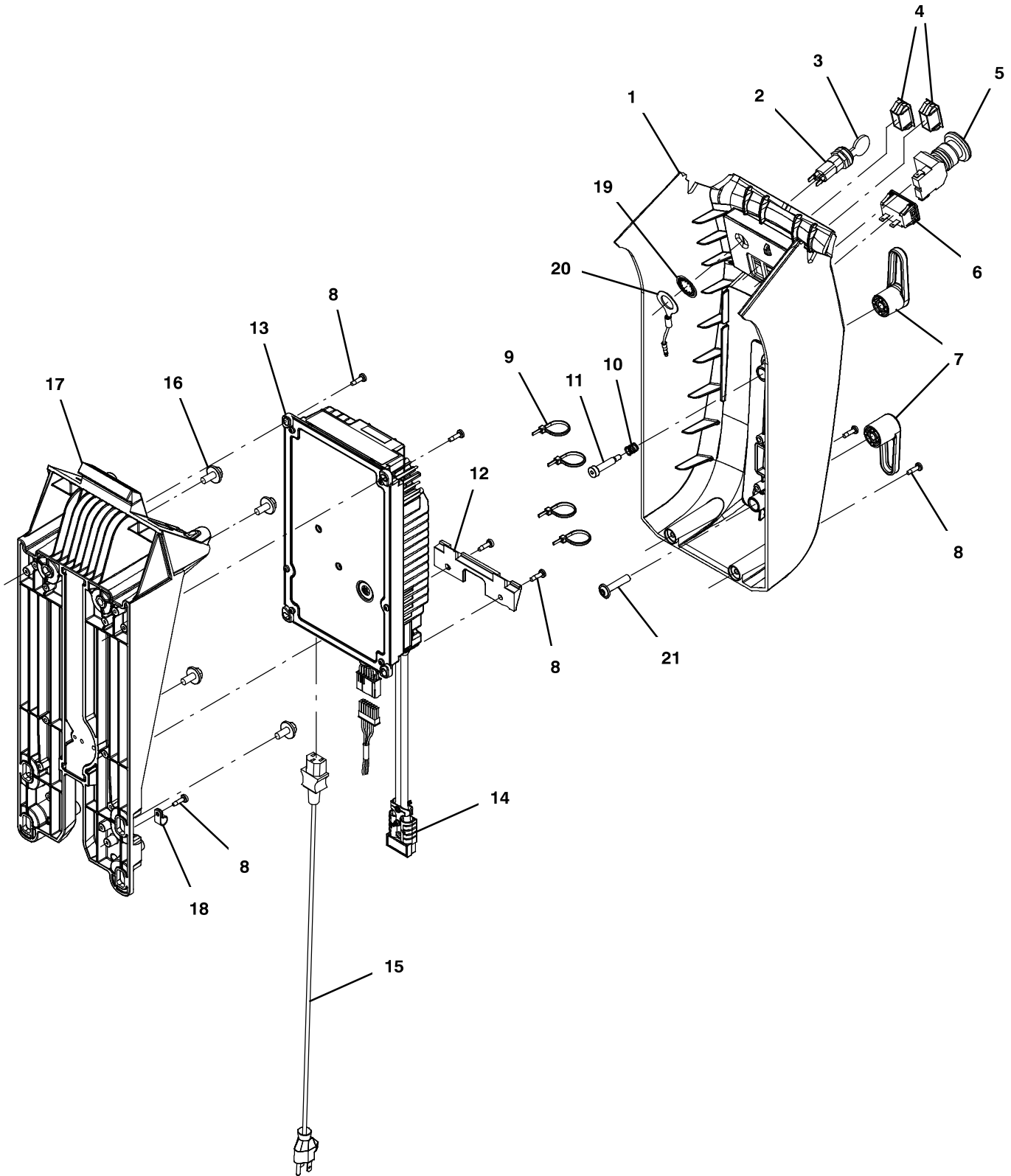
Ref.	Part No.	Serial Number	Description	Qty.
	1	9016861	(10000000- 20000000) Cover, Console, Afmkt [T600, Na] (With Labels)	1
	1	9016862	(10000000- 20000000) Cover, Console, Afmkt [T600, Ce] (Brazil) (With Labels)	1
▽	2	1011402	(10000000- 20000000) Switch, Key	1
▲	3	1017696	(10000000- 20000000) Key Set, Replmt [F/ Keyswitch 1011402]	1
	4	582150	(10000000- 20000000) Plug, Hole, Rt, 1.23 X 1.12, Nyl	2
	5	1011735	(10000000- 20000000) Switch, Safety, Shutoff	1
	6	1064038	(10000000- 20000000) Gauge, Hourmeter, 05- 277 Volt, Ac / Dc	1
	7	1205496	(10000000- 20000000) Hook, Cord	2
	8	1043573	(10000000- 20000000) Screw, #10- 14 X 0.675, Spl[Shcs,Selftap]	9
	9	130773	(10000000- 20000000) Tie, Cable, Nyl, 11.0l, .14w, 3.0 Max. D	4
	10	611311	(10982502- 20000000) Spring, Cmpr, 0.40od .05wir 00.5l, Pl,Mw	1
	10	611311	(10000000- 10982501) Spring, Cmpr, 0.40od .05wir 00.5l, Pl,Mw	2
	11	1024965	(10982502- 20000000) Bolt, Shld, 08mmd X 030mm, M06 X 1.0	1
	11	1024965	((10000000- 10982501) Bolt, Shld, 08mmd X 030mm, M06 X 1.0	2
	12	1231133	(10000000- 20000000) Bracket, Mtg, Chrgr, Plastic	1
▽	13	1229621	(10000000- 20000000) Charger, 36vdc 900w 100- 240vac [On Brd] (Standard Charger - NOT For Use With TPPL Batteries)	1
▽	13	1229475	(10000000- 20000000) Charger 36vdc 1200w 100- 240vac [On Brd] (High Output Charger for TPPL Batteries 1238358)	1
▲	14	130155	(10000000- 20000000) Connector, Battery, 6ga 50a, Gray[2cont]	1
	15	1025642	(10000000- 20000000) Cord, Power, 16/3, 15ft Blk [Us]	1
	16	1020341	(10000000- 20000000) Screw, Hex, M8 X 1.25 X 20, Ss, Sems	4
	17	1231373	(10000000- 20000000) Frame, Column, Cntrl [lm], T600	1
	18	26395- 2	(10000000- 20000000) Clamp, Cable, Stl, 0.38d X 0.38w, 1hole	1
	19	32991	(10000000- 20000000) Washer, Lock, Int, 0.75	1
	20	1073037	(10000000- 20000000) Harness, Ele [Key Sw.,Static Gnd]	1
	21	1248098	(10982502- 20000000) Screw, Btn, Flng, M6 X 1.0 X 30, 10.9	1

▽ ASSEMBLY

▲ INCLUDED IN ASSEMBLY

LOWER CONSOLE GROUP, ON-BOARD CHARGER (LITHIUM-ION)

355750



LOWER CONSOLE GROUP, ON- BOARD CHARGER (LITHIUM-ION)

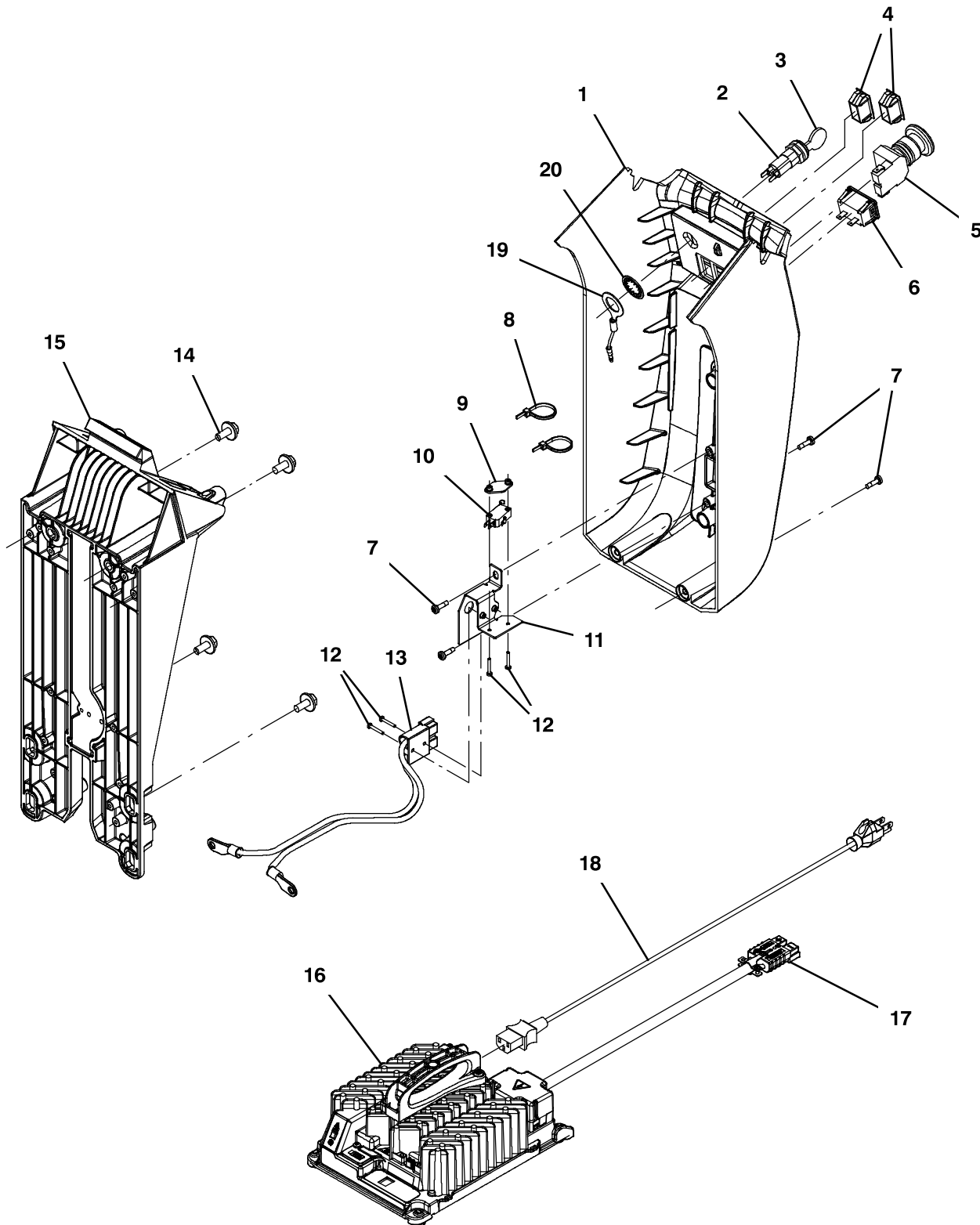
Ref.	Part No.	Serial Number	Description	Qty.
	1	9016861	(10000000- 20000000) Cover, Console, Afmkt [T600, Na] (With Labels)	1
▽	2	1011402	(10000000- 20000000) Switch, Key	1
▲	3	1017696	(10000000- 20000000) Key Set, Replmt [F/ Keyswitch 1011402]	1
	4	582150	(10000000- 20000000) Plug, Hole, Rt, 1.23 X 1.12, Nyl	2
	5	1011735	(10000000- 20000000) Switch, Safety, Shutoff	1
	6	1064038	(10000000- 20000000) Gauge, Hourmeter, 05- 277 Volt, Ac / Dc	1
	7	1205496	(10000000- 20000000) Hook, Cord	2
	8	1043573	(10000000- 20000000) Screw, #10- 14 X 0.675, Spl[Shcs,Selftap]	9
	9	130773	(10000000- 20000000) Tie, Cable, Nyl, 11.0l, .14w, 3.0 Max. D	4
	10	611311	(10982502- 20000000) Spring, Cmpr, 0.40od .05wir 00.5l, Pl,Mw	1
	10	611311	(10000000- 10982501) Spring, Cmpr, 0.40od .05wir 00.5l, Pl,Mw	2
	11	1024965	(10982502- 20000000) Bolt, Shld, 08mmd X 030mm, M06 X 1.0	1
	11	1024965	((10000000- 10982501) Bolt, Shld, 08mmd X 030mm, M06 X 1.0	2
	12	1231133	(10000000- 20000000) Bracket, Mtg, Chrgr, Plastic	1
▽	13	1242863	(10000000- 20000000) Charger 36vdc 900w 100- 240vac [On Brd] (Standard Charger for Lithium- Ion Batteries 9019373, 9019374, and 9019375)	1
▽	13	1242862	(10000000- 20000000) Charger 36vdc 1200w 100- 240vac [On Brd] (High Output Charger for Lithium- Ion Batteries 9019373, 9019374, and 9019375)	1
▲	14	22892	(10000000- 20000000) Connector, Anderson, 175a, Gray	1
	15	1025642	(10000000- 20000000) Cord, Power, 16/3, 15ft Blk [Us]	1
	16	1020341	(10000000- 20000000) Screw, Hex, M8 X 1.25 X 20, Ss, Sems	4
	17	1231373	(10000000- 20000000) Frame, Column, Cntrl [Im], T600	1
	18	26395- 2	(10000000- 20000000) Clamp, Cable, Stl, 0.38d X 0.38w, 1hole	1
	19	32991	(10000000- 20000000) Washer, Lock, Int, 0.75	1
	20	1073037	(10000000- 20000000) Harness, Ele [Key Sw.,Static Gnd]	1
	21	1248098	(10982502- 20000000) Screw, Btn, Flng, M6 X 1.0 X 30, 10.9	1

▽ ASSEMBLY

▲ INCLUDED IN ASSEMBLY

LOWER CONSOLE GROUP, OFF-BOARD CHARGER

355609



LOWER CONSOLE GROUP, OFF-BOARD CHARGER

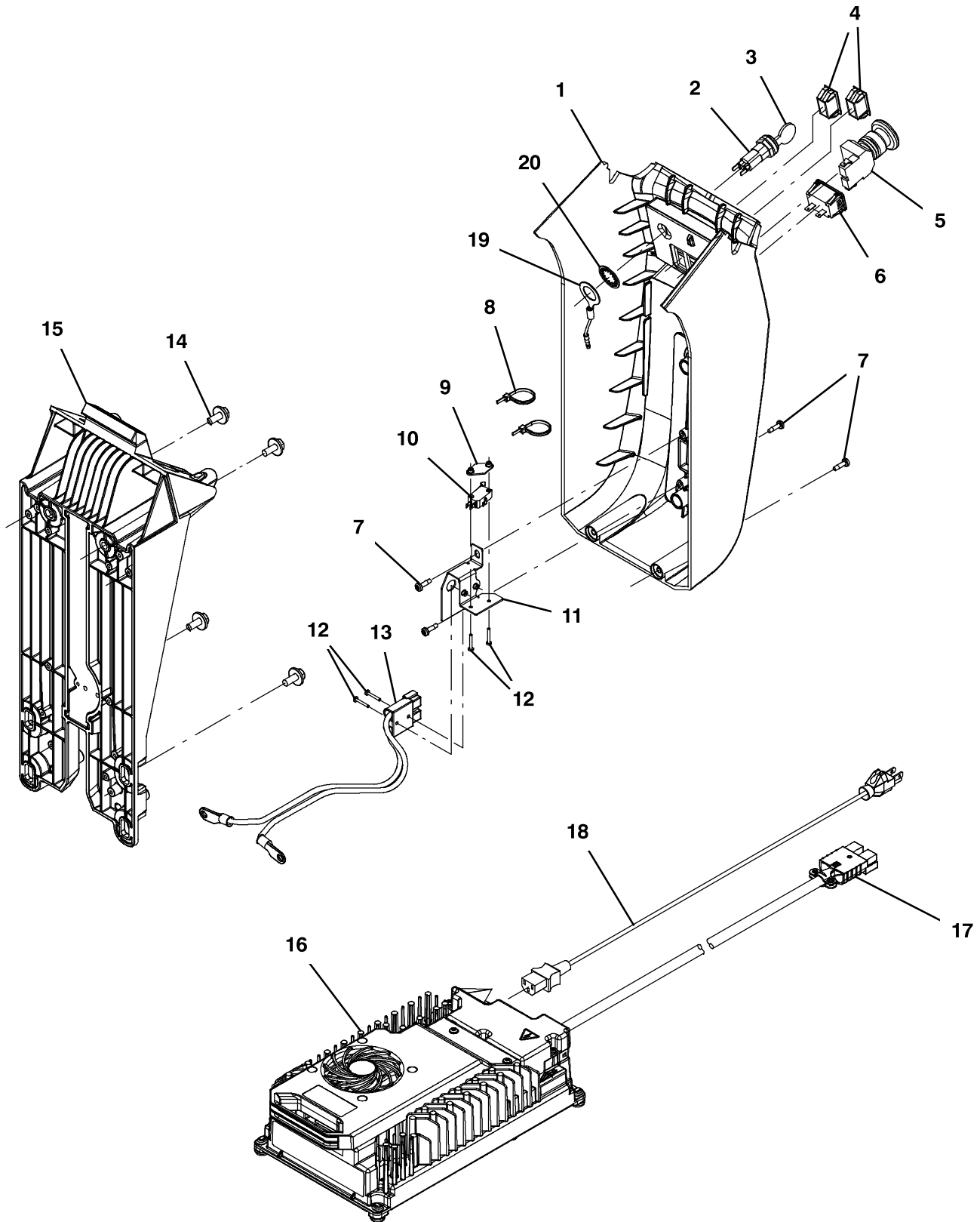
Ref.	Part No.	Serial Number	Description	Qty.
1	9016861	(10000000- 20000000)	Cover, Console, Afmkt [T600, Na] (With Labels)	1
1	9016862	(10000000- 20000000)	Cover, Console, Afmkt [T600, Ce] (Brazil) (With Labels)	1
▽	2	1011402	(10000000- 20000000) Switch, Key	1
▲	3	1017696	(10000000- 20000000) Key Set, Replmt [F/ Keyswitch 1011402]	1
4	582150	(10000000- 20000000)	Plug, Hole, Rt, 1.23 X 1.12, Nyl	2
5	1011735	(10000000- 20000000)	Switch, Safety, Shutoff	1
6	1064038	(10000000- 20000000)	Gauge, Hourmeter, 05- 277 Volt, Ac / Dc	1
7	1043573	(10000000- 20000000)	Screw, #10- 14 X 0.675, Spl[Shcs,Selftap]	6
8	130773	(10000000- 20000000)	Tie, Cable, Nyl, 11.0l, .14w, 3.0 Max. D	2
9	1013705	(10000000- 20000000)	Plate, Thread, Switch, M3 Nut, 96hr PI	1
10	1215716	(10000000- 20000000)	Switch, 0.1a, Spdt[Micro, Gold Contacts]	1
11	1208599	(10000000- 20000000)	Bracket Assy, Plug, Charger	1
12	06922	(10000000- 20000000)	Screw, Pan, Phl, M3 X 0.50 X 20, 4.8	4
13	1075458	(10000000- 20000000)	Harness, Chrgr, 10ga [M8 Ring/M8 Ring]	1
14	1020341	(10000000- 20000000)	Screw, Hex, M8 X 1.25 X 20, Ss, Sems	4
15	1231373	(10000000- 20000000)	Frame, Column, Cntrl [Im], T600	1
▽	16	9042253	(10000000- 20000000) Charger Assy, Off Board [T600/T600e]	1
▲	17	130155	(10000000- 20000000) Connector, Battery, 6ga 50a, Gray[2cont]	1
18	1025642	(10000000- 20000000)	Cord, Power, 16/3, 15ft Blk [Us]	1
19	1073037	(10000000- 20000000)	Harness, Ele [Key Sw.,Static Gnd]	1
20	32991	(10000000- 20000000)	Washer, Lock, Int, 0.75	1

▽ ASSEMBLY

▲ INCLUDED IN ASSEMBLY

LOWER CONSOLE GROUP, OFF-BOARD CHARGER (LITHIUM-ION)

355751



LOWER CONSOLE GROUP, OFF- BOARD CHARGER (LITHIUM- ION)

Ref.	Part No.	Serial Number	Description	Qty.
	1	9016861	(10000000- 20000000) Cover, Console, Afmkt [T600, Na] (With Labels)	1
▽	2	1011402	(10000000- 20000000) Switch, Key	1
▲	3	1017696	(10000000- 20000000) Key Set, Replmt [F/ Keyswitch 1011402]	1
	4	582150	(10000000- 20000000) Plug, Hole, Rt, 1.23 X 1.12, Nyl	2
	5	1011735	(10000000- 20000000) Switch, Safety, Shutoff	1
	6	1064038	(10000000- 20000000) Gauge, Hourmeter, 05- 277 Volt, Ac / Dc	1
	7	1043573	(10000000- 20000000) Screw, #10- 14 X 0.675, Spl[Shcs,Selftap]	6
	8	130773	(10000000- 20000000) Tie, Cable, Nyl, 11.0l, .14w, 3.0 Max. D	2
	9	1013705	(10000000- 20000000) Plate, Thread, Switch, M3 Nut, 96hr PI	1
	10	1215716	(10000000- 20000000) Switch, 0.1a, Spdt[Micro, Gold Contacts]	1
	11	1208599	(10000000- 20000000) Bracket Assy, Plug, Charger	1
	12	06922	(10000000- 20000000) Screw, Pan, Phl, M3 X 0.50 X 20, 4.8	4
	13	1075458	(10000000- 20000000) Harness, Chrgr, 10ga [M8 Ring/M8 Ring]	1
	14	1020341	(10000000- 20000000) Screw, Hex, M8 X 1.25 X 20, Ss, Sems	4
	15	1231373	(10000000- 20000000) Frame, Column, Cntrl [Im], T600	1
▽	16	1242864	(10000000- 20000000) Charger 36vdc 900w 100- 240vac [Off Brd] (Standard Charger for Lithium- Ion Batteries 9019373, 9019374, and 9019375)	1
▽	16	1242861	(10000000- 20000000) Charger 36vdc 1200w 100- 240vac [Off Brd] (High Output Charger for Lithium- Ion Batteries 9019373, 9019374, and 9019375)	1
▲	17	22892	(10000000- 20000000) Connector, Anderson, 175a, Gray	1
	18	1025642	(10000000- 20000000) Cord, Power, 16/3, 15ft Blk [Us]	1
	19	1073037	(10000000- 20000000) Harness, Ele [Key Sw.,Static Gnd]	1
	20	32991	(10000000- 20000000) Washer, Lock, Int, 0.75	1

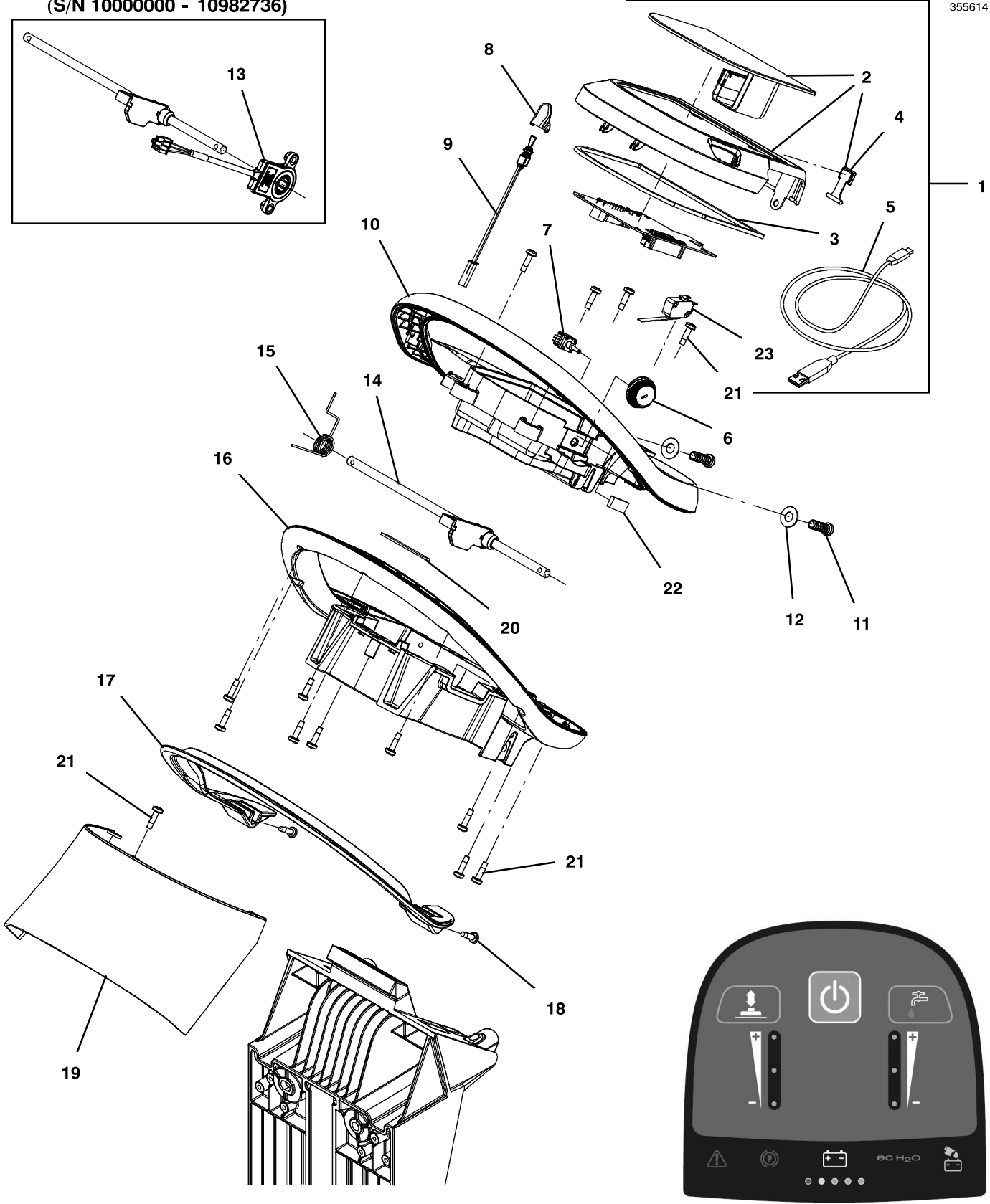
▽ ASSEMBLY

▲ INCLUDED IN ASSEMBLY

CONSOLE HANDLE, MEMBRANE PANEL (T600e MODEL)

(S/N 10000000 - 10982736)

355614



CONSOLE HANDLE, MEMBRANE PANEL (T600e MODEL)

Ref.	Part No.	Serial Number	Description	Qty.
▽	1	9015780*	(10000000- 20000000) Bezel Kit, Membrane, Ci [T500e, T600e]	1
▲▽	2	9015781	(10000000- 20000000) Screen Kit, Membrane, Ci [T500e, T600e]	1
▲▲	3	1245824	(MAR2020- 20000000) Gasket, Console	1
▲▲	4	1205618	(10000000- 20000000) Cap, Usb	1
▲	5	1071235	(10000000- 20000000) Cable [Usb, 2m, A- Male To Mini- B- Male]	1
	6	1234365	(10000000- 20000000) Dial, Range, Speed	1
	7	1256757	(11008310- 20000000) Potentiometer [100k, 1 Turn, Multi- Mach]	1
	7	1246392	(10947677- 11008309) Potentiometer [100k, 1 Turn, Multi- Mach] (Replaced by 1256757)	1
	7	1204930	(10000000- 10947676) Potentiometer [100k, 1 Turn] (Replaced by 1256757)	1
	8	1209730	(10000000- 20000000) Cap, Toggle, Direction	1
	9	1209673	(10000000- 20000000) Switch Assy, Toggle, Direction	1
	10	1203787	(10000000- 20000000) Housing, Handle, Cntrl, Top	2
	11	1215863	(10000000- 20000000) Screw, Pan, Torx, M8 X 3.5 X 25[Remform]	2
	12	140027	(10000000- 20000000) Washer, Flat, 0.35b 0.75d .04, Ss	3
	13	1205127	(10000000- 10982736) Sensor, Rotary [B5/B7, Bail Sensor]	1
	14	1205143	(10000000- 20000000) Shaft Assy, Bail, Handle	1
	15	1205781	(10000000- 20000000) Spring, Return, Bail	1
	16	1222608	(10000000- 20000000) Housing, Handle, Cntrl, Bottom, Slotted	1
	17	1205778	(10000000- 20000000) Handle, Bail [Machined]	1
	18	1205799	(10000000- 20000000) Screw, Btn, M5 X 0.8 X 16, 8.8, NI, Torx	2
	19	1207004	(10000000- 20000000) Cover, Handle, Cntrl	1
	20	1020280	(10000000- 20000000) Seal, Afmkt, Rbr, Clsd, Adh, 01ft	1
	21	1043573	(10000000- 20000000) Screw, #10- 14 X 0.675, Spl[Shcs,Selftap]	15
	22	1063909	(MAR2020- 20000000) Seal, Afmkt, Rbr, Clsd, Adh, 01ft	1
	23	1205323	(10982737- 20000000) Switch, 0.1a, Spdt [Micro, Straight]	1

* Requires Tennant *True* service or an authorized Tennant service provider.

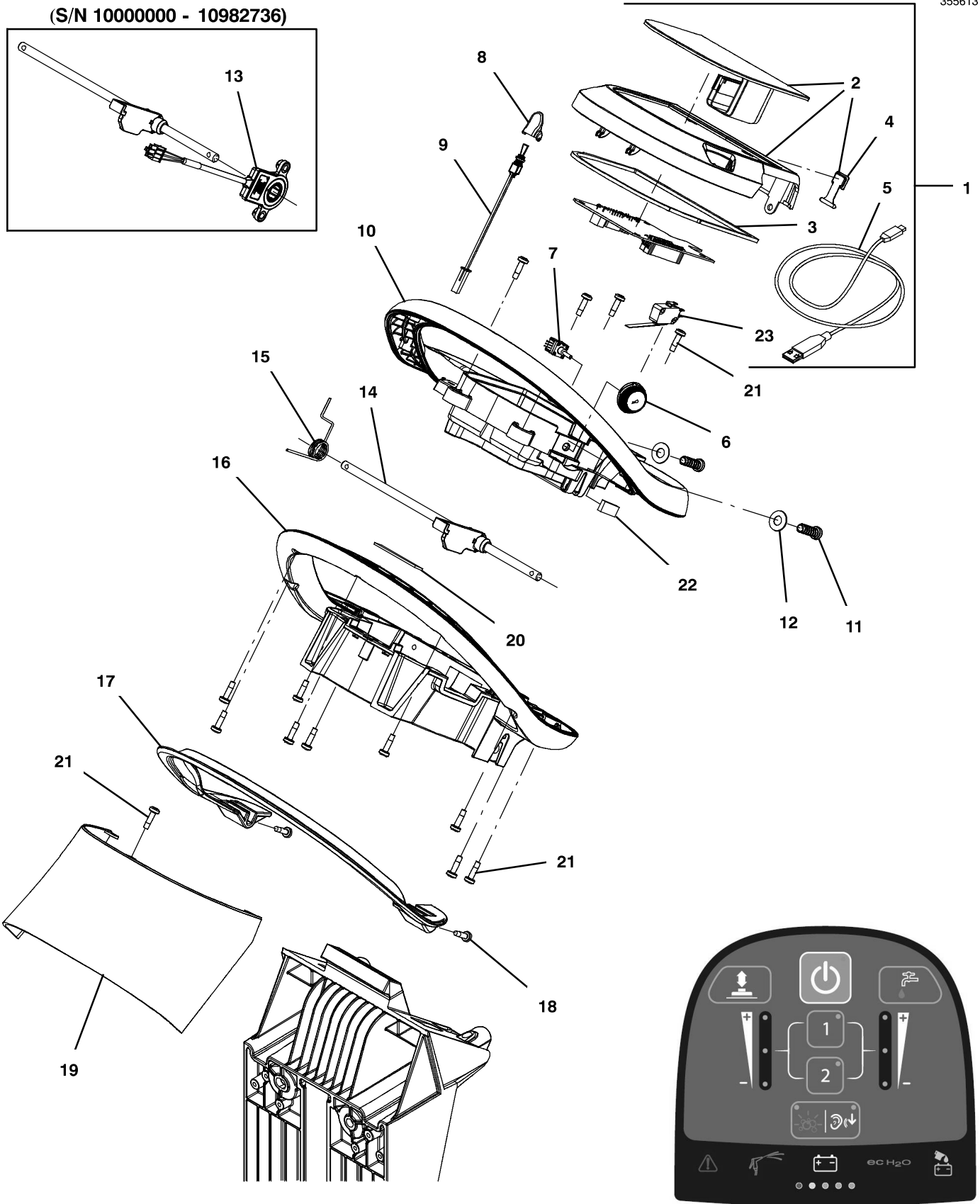
▽ ASSEMBLY

▲ INCLUDED IN ASSEMBLY

CONSOLE HANDLE, PRO-MEMBRANE PANEL (T600 MODEL)

355613

(S/N 10000000 - 10982736)



CONSOLE HANDLE, PRO- MEMBRANE PANEL (T600 MODEL)

Ref.	Part No.	Serial Number	Description	Qty.
▽	1	9015778*	(10000000- 20000000) Bezel Kit, Membrane, Ci [T500, T600]	1
▲▽	2	9015779	(10000000- 20000000) Screen Kit, Membrane, Ci [T500, T600]	1
▲▲	3	1245824	(MAR2020- 20000000) Gasket, Console	1
▲▲	4	1205618	(10000000- 20000000) Cap, Usb	1
▲	5	1071235	(10000000- 20000000) Cable [Usb, 2m, A- Male To Mini- B- Male]	1
	6	1234365	(10000000- 20000000) Dial, Range, Speed	1
	7	1256757	(11008310- 20000000) Potentiometer [100k, 1 Turn, Multi- Mach]	1
	7	1246392	(10947677- 11008309) Potentiometer [100k, 1 Turn, Multi- Mach] (Replaced by 1256757)	1
	7	1204930	(10000000- 10947676) Potentiometer [100k, 1 Turn] (Replaced by 1256757)	1
	8	1209730	(10000000- 20000000) Cap, Toggle, Direction	1
	9	1209673	(10000000- 20000000) Switch Assy, Toggle, Direction	1
	10	1203787	(10000000- 20000000) Housing, Handle, Cntrl, Top	2
	11	1215863	(10000000- 20000000) Screw, Pan, Torx, M8 X 3.5 X 25[Remform]	2
	12	140027	(10000000- 20000000) Washer, Flat, 0.35b 0.75d .04, Ss	3
	13	1205127	(10000000- 10982736) Sensor, Rotary [B5/B7, Bail Sensor]	1
	14	1205143	(10000000- 20000000) Shaft Assy, Bail, Handle	1
	15	1205781	(10000000- 20000000) Spring, Return, Bail	1
	16	1222608	(10000000- 20000000) Housing, Handle, Cntrl, Bottom, Slotted	1
	17	1205778	(10000000- 20000000) Handle, Bail [Machined]	1
	18	1205799	(10000000- 20000000) Screw, Btn, M5 X 0.8 X 16, 8.8, NI, Torx	2
	19	1207004	(10000000- 20000000) Cover, Handle, Cntrl	1
	20	1020280	(10000000- 20000000) Seal, Afmkt, Rbr, Clsd, Adh, 01ft	1
	21	1043573	(10000000- 20000000) Screw, #10- 14 X 0.675, Spl[Shcs,Selftap]	15
	22	1063909	(MAR2020- 20000000) Seal, Afmkt, Rbr, Clsd, Adh, 01ft	1
	23	1205323	(10982737- 20000000) Switch, 0.1a, Spdt [Micro, Straight]	1

* Requires Tennant *True* service or an authorized Tennant service provider.

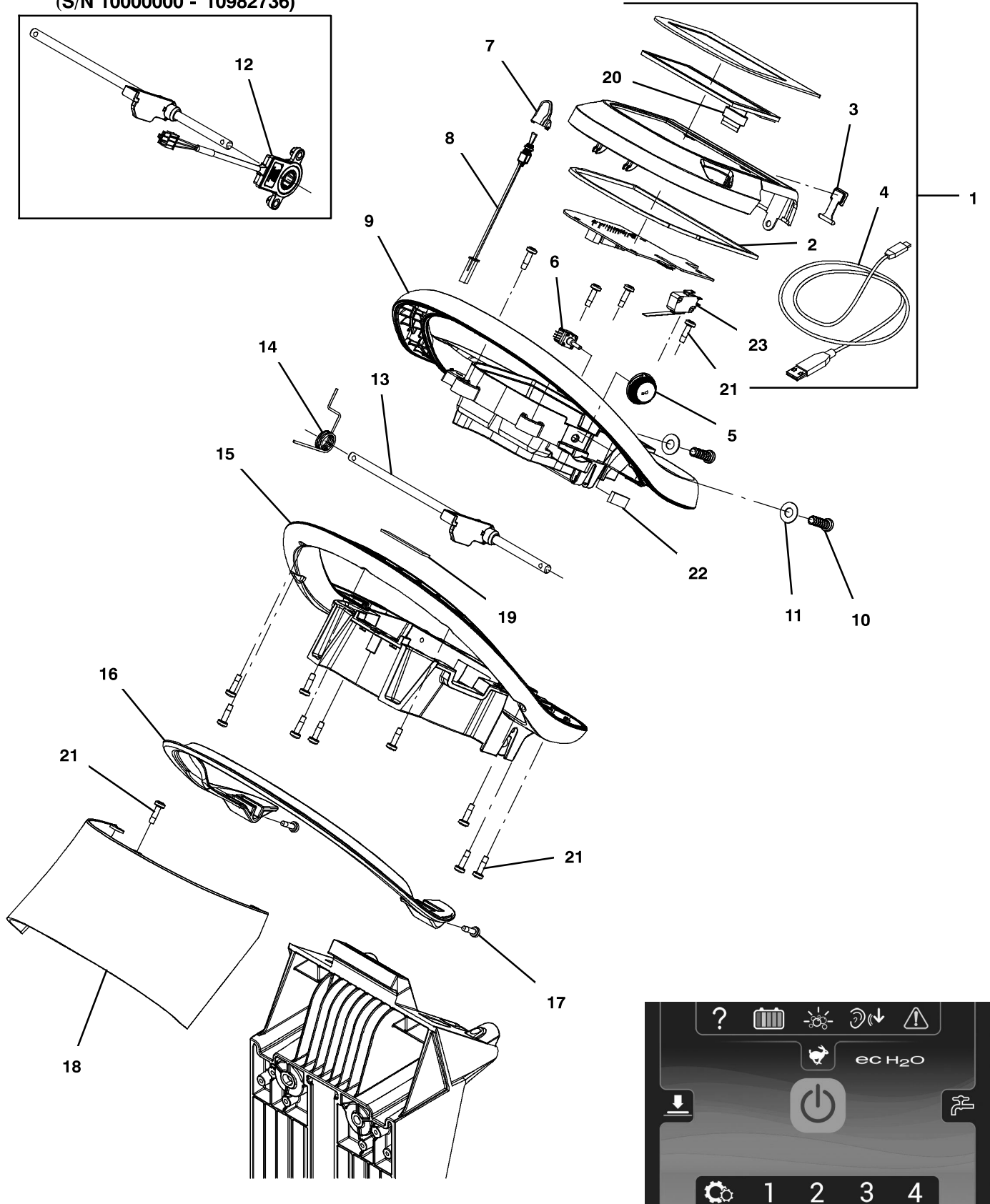
▽ ASSEMBLY

▲ INCLUDED IN ASSEMBLY

CONSOLE HANDLE, PRO-PANEL LCD (T600 MODEL)

355612

(S/N 1000000 - 10982736)



CONSOLE HANDLE, PRO- PANEL LCD (T600 MODEL)

Ref.	Part No.	Serial Number	Description	Qty.
▽	1	9014135*	(10000000- 20000000) Bezel Kit, Propel, Lcd Pro- Panl,Ci (Also Requires Ferrite)	1
▲	2	1245824	(MAR2020- 20000000) Gasket, Console	1
▲	3	1205618	(10000000- 20000000) Cap, Usb	1
▲	4	1071235	(10000000- 20000000) Cable [Usb, 2m, A- Male To Mini- B- Male]	1
	5	1234365	(10000000- 20000000) Dial, Range, Speed	1
	6	1256757	(11008310- 20000000) Potentiometer [100k, 1 Turn, Multi- Mach]	1
	6	1246392	(10947677- 11008309) Potentiometer [100k, 1 Turn, Multi- Mach] (Replaced by 1256757)	1
	6	1204930	(10000000- 10947676) Potentiometer [100k, 1 Turn] (Replaced by 1256757)	1
	7	1209730	(10000000- 20000000) Cap, Toggle, Direction	1
	8	1209673	(10000000- 20000000) Switch Assy, Toggle, Direction	1
	9	1203787	(10000000- 20000000) Housing, Handle, Cntrl, Top	2
	10	1215863	(10000000- 20000000) Screw, Pan, Torx, M8 X 3.5 X 25[Remform]	2
	11	140027	(10000000- 20000000) Washer, Flat, 0.35b 0.75d .04, Ss	2
	12	1205127	(10000000- 10982736) Sensor, Rotary [B5/B7, Bail Sensor]	2
	13	1205143	(10000000- 20000000) Shaft Assy, Bail, Handle	1
	14	1205781	(10000000- 20000000) Spring, Return, Bail	1
	15	1222608	(10000000- 20000000) Housing, Handle, Cntrl, Bottom, Slotted	1
	16	1205778	(10000000- 20000000) Handle, Bail [Machined]	1
	17	1205799	(10000000- 20000000) Screw, Btn, M5 X 0.8 X 16, 8.8, NI, Torx	2
	18	1207004	(10000000- 20000000) Cover, Handle, Cntrl	1
	19	1020280	(10000000- 20000000) Seal, Afmkt, Rbr, Clsd, Adh, 01ft	1
	20	1233769	(10000000- 20000000) Inductor, Ribbon Cable	1
	21	1043573	(10000000- 20000000) Screw, #10- 14 X 0.675, Spl[Shcs,Selftap]	15
	22	1063909	(MAR2020- 20000000) Seal, Afmkt, Rbr, Clsd, Adh, 01ft	1
	23	1205323	(10982737- 20000000) Switch, 0.1a, Spdt [Micro, Straight]	1

* Requires Tennant *True* service or an authorized Tennant service provider.

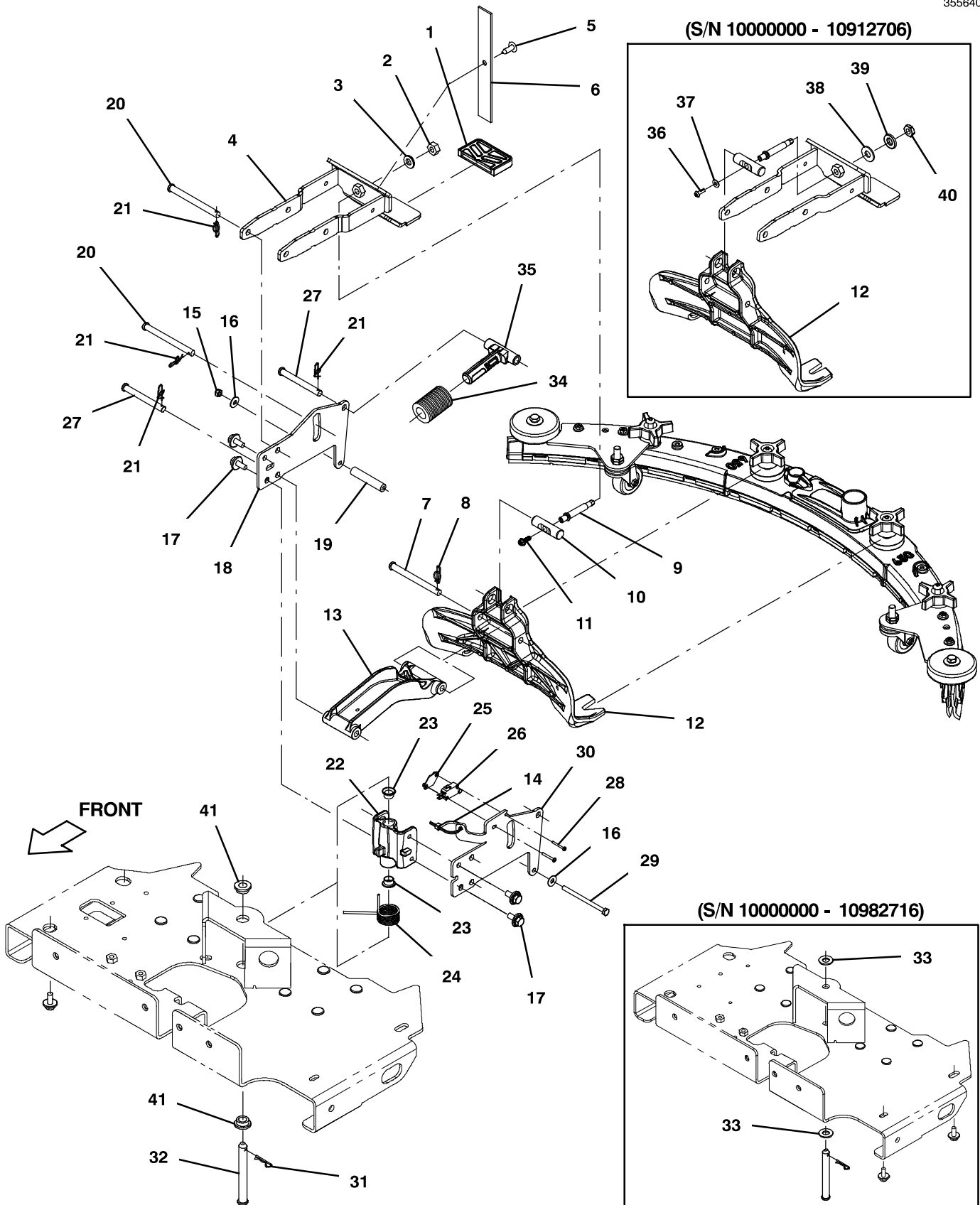
▽ ASSEMBLY

▲ INCLUDED IN ASSEMBLY

SQUEEGEE LIFT GROUP

355640

(S/N 1000000 - 10912706)



SQUEEGEE LIFT GROUP

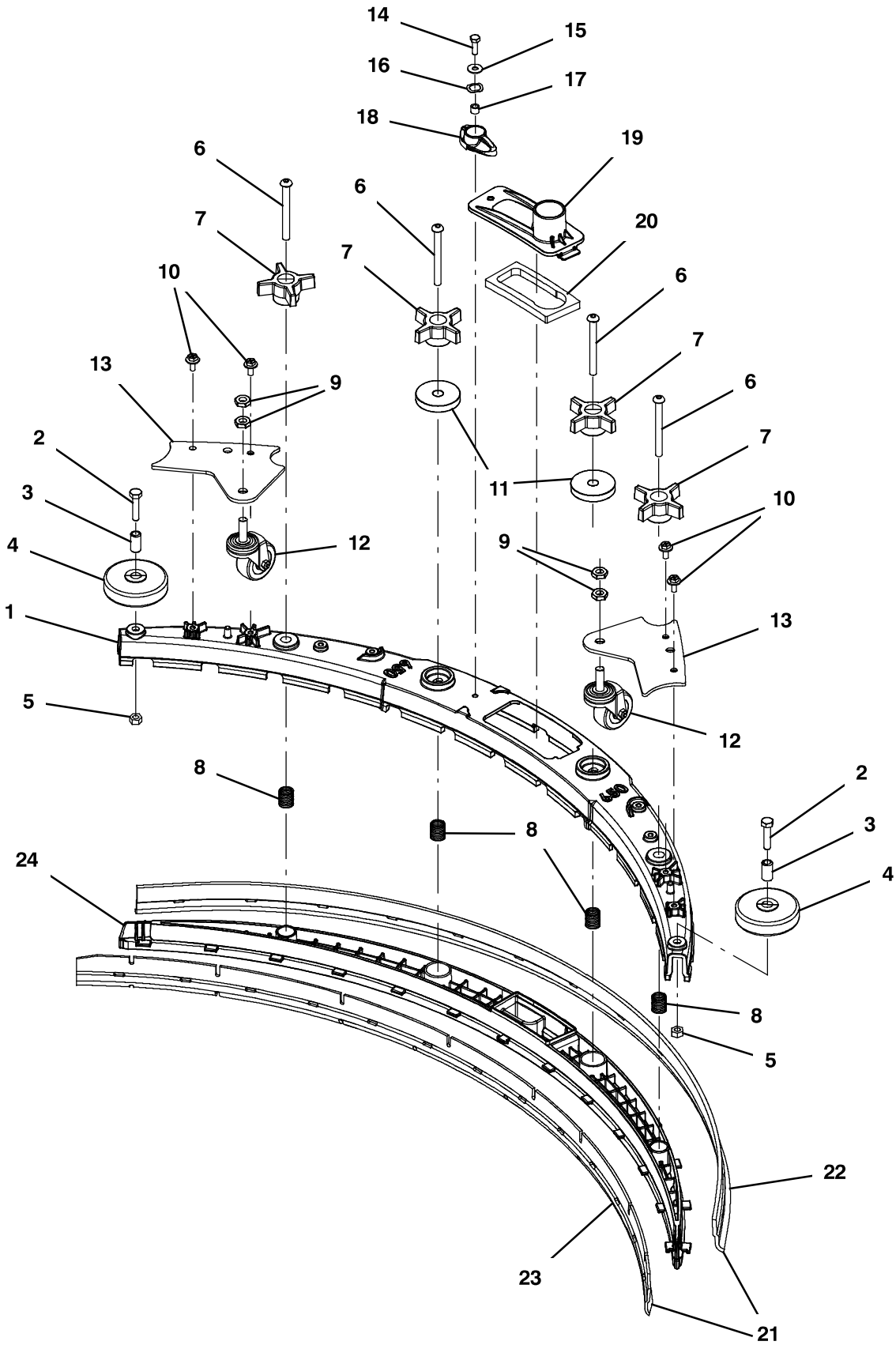
Ref.	Part No.	Serial Number	Description	Qty.
▽	9018374	(10000000- 20000000)	Kit, Sqge Lift [T600/T600e]	1
▲	1 1230670	(10000000- 20000000)	Cover, Pedal, Lift	1
▲	2 39312	(10907775- 20000000)	Nut, Hex, Std, M10 X 1.50	1
▲	3 1242993	(10907775- 20000000)	Washer, Lock, Ext, M10 [Nord-lock]	1
▲	4 9016840	(10000000- 20000000)	Arm, Lift, Sqge, Afmkt [T600,T600e] (With Label)	1
▲	5 140262	(10909657- 20000000)	Clip, Snap- In	1
▲	6 1059534	(10909657- 20000000)	Fastener, 09.00l [Hook & Loop]	1
▲	7 1243729	(10999247- 20000000)	Pin, Clevis, 0.37d X 4.00l [4000]	1
	7 49914	(10000000- 10999246)	Pin, Clevis, 0.37d X 4.00l (Replaced By 1243729)	1
▲	8 1216647	(10000000- 20000000)	Pin, Cotter, Hair, 0.38d .054 Wir	1
▲	9 1230714	(10000000- 20000000)	Shaft, Adjmt	1
▲	10 1230625	(10000000- 20000000)	Pin, 0.63d 02.2l, 1/.34h, 2cham	1
▲	11 1243034	(10912707- 20000000)	Bolt, Flange, M5- 0.8 X 16, 10.9 PI	1
▲	12 1243462	(10999247- 20000000)	Mount, Sqge	1
	12 1242997	(10907775- 10999246)	Mount, Sqge (Replaced By 1243462)	1
	12 1231340	(10000000- 10907774)	Mount, Sqge (Replaced By 1243462)	1
▲	13 1243460	(10999247- 20000000)	Arm, Lower [Machined]	1
	13 1233229	(10000000- 10999246)	Arm, Lower [Machined] (Replaced By 1243460)	1
▲	14 130773	(10907775- 20000000)	Tie, Cable, Nyl, 11.0l, .14w, 3.0 Max. D	1
	14 1210807	(10000000- 10907774)	Wire, Tie [W/.25" Fir Tree Clip]	1
	15 08712	(10000000- 20000000)	Nut, Hex, Lock, M6 X 1.00, NI, Ss	1
	16 01684	(10000000- 20000000)	Washer, Flat, 0.27b 0.69d .05, Ss	2
	17 1020341	(10000000- 20000000)	Screw, Hex, M8 X 1.25 X 20, Ss, Sems	4
	18 1231347	(10000000- 20000000)	Plate, Lift, Sqge, Rh	1
	19 1231343	(10000000- 20000000)	Tube, 0.26id 0.50od 02.6l, Stl, PI	1
	20 49914	(10000000- 20000000)	Pin, Clevis, 0.37d X 4.00l	2
	21 1216647	(10000000- 20000000)	Pin, Cotter, Hair, 0.38d .054 Wir	3
▽	22 9016973	(10000000- 20000000)	Pivot Assy, Replmt, Sqge	1
▲	23 15648	(10000000- 20000000)	Bushing, Flng, 0.50b 0.59d 0.38l	2
	24 1231436	(10000000- 20000000)	Spring, Tors, 1.10id .13wir 05.5coil	1
	25 1013705	(10000000- 20000000)	Plate, Thread, Switch, M3 Nut, 96hr PI	1
	26 1215716	(10000000- 20000000)	Switch, 0.1a, Spdt[Micro, Gold Contacts]	1
	27 57598	(10000000- 20000000)	Pin, Clevis, 0.37d X 3.25l	2
	28 33933	(10000000- 20000000)	Screw, Pan, Phl, M3 X 0.50 X 25, Ss	2
	29 06952	(10000000- 20000000)	Screw, Hex, M6 X 1.00 X 90, 8.8	1
	30 1231335	(10000000- 20000000)	Plate, Lift, Sqge, Lh	1
	31 44906	(10000000- 20000000)	Pin, Cotter, Hair, 0.38d .093 Wir	1
	32 1233450	(10000000- 20000000)	Pin, Clevis, 0.50d X 4.30l	1
	33 32486	(10000000- 10982716)	Washer, Flat, 0.53b 1.06d .10, Stl, PI	2
	34 1228773	(10000000- 20000000)	Spring, Cmpr, 1.402od, .812id, 2.0l	1
	35 1235860	(10000000- 20000000)	Guide, Spring	1
	36 1205799	(10000000- 10912706)	Screw, Btn, M5 X 0.8 X 16, 8.8, NI, Torx	1
	37 01683	(10000000- 10912706)	Washer, Flat, 10, Ss	1
	38 01686	(10000000- 10907774)	Washer, Flat, 0.44b 1.00d .08, Ss	1
	39 41187	(10000000- 10907774)	Washer, Flat, Belleville, .38	1
	40 32716	(10000000- 10907774)	Nut, Hex, Jam, M10 X 1.5, Ss	1
	41 1251209	(10982717- 20000000)	Bushing, Flng, 0.50b 0.75d 0.38l	2

▽ ASSEMBLY

▲ INCLUDED IN ASSEMBLY

SQUEEGEE ASSEMBLY, 650MM / 26IN (Intended for 700MM Scrub Head Size)
(New Style 9018626)

355743



**SQUEEGEE ASSEMBLY, 650MM / 26IN (Intended for 700MM Scrub Head Size)
(New Style 9018626)**

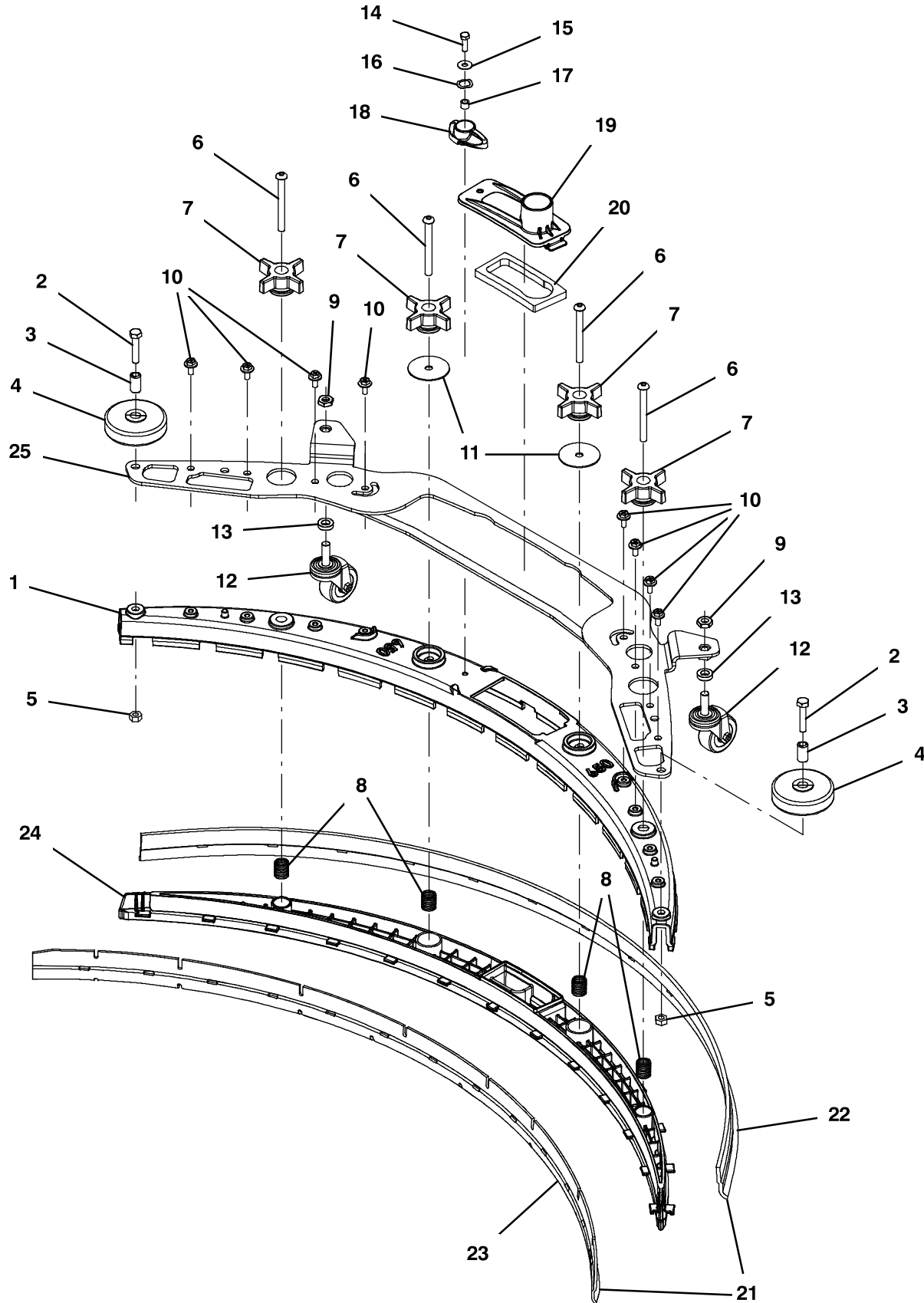
Ref.	Part No.	Serial Number	Description	Qty.
▽	9018626	(10964903- 20000000)	Squeegee Kit, 650mm [T600]	1
▲	1 1243537	(10964903- 20000000)	Frame, Sqge, 65cm, Mach [T500/T600]	1
▲	2 59658	(10964903- 20000000)	Screw, Hex, M8 X 1.25 X 35, NI, Ss	2
▲	3 222496	(10000000- 20000000)	Sleeve, P/M, 0.32b 0.50d 0.9l [430ss]	2
▲	4 222066	(10000000- 20000000)	Wheel, 03.0d 0.88w 0.50b	2
▲	5 07786	(10000000- 20000000)	Nut, Hex, Std, M8 X 1.25, Ss	2
▲	6 1255358	(10000000- 20000000)	Screw, Btn, M8 X 1.25 X 85, Ss	4
▲	7 1074204	(10000000- 20000000)	Knob,Star,2.75d 4ear 1.1l M8x1.25,Thru,Y	4
▲	8 22290	(10000000- 20000000)	Spring, Cmpr, 0.72od .06wir 02.3l	4
▲	9 32716	(10964903- 20000000)	Nut, Hex, Jam, M10 X 1.5, Ss	4
▲	10 1034731	(10964903- 20000000)	Screw, Hex, M6 X 1.00 X 16, Sems, Ss	4
▲	11 1243735	(10964903- 20000000)	Disc, Friction, Sqge	2
▲	12 1006343	(10000000- 20000000)	Caster, Swivel, 50mmd, M10 X 30, Clr PI	2
▲	13 1243364	(10964903- 20000000)	Plate, Caster, Sqge	2
▲	14 12277	(10000000- 20000000)	Screw, Hex, M6 X 1.00 X 20, NI, Ss	1
▲	15 01684	(10000000- 20000000)	Washer, Flat, 0.27b 0.69d .05, Ss	1
▲	16 140060	(10000000- 20000000)	Washer, Wave- Spring, .505 .750 .045	1
▲	17 140154	(10000000- 20000000)	Sleeve, P/M, 0.25b 0.38d 0.3l, PI	1
▲	18 1222109	(10000000- 20000000)	Knob, Sqge, 58l, M6 X 1.00, Plstc	1
▲	19 1209631	(10000000- 20000000)	Cover, Trap, Water, Sqge	1
▲	20 1210756	(10000000- 20000000)	Gasket, Trap, Water, Sqge	1
▲▽	21 9015734	(10000000- 20000000)	Blade Kit, 650mm, Linatex/Linard (Standard)	1
▲▲	22 1221585	(10000000- 20000000)	Blade, Sqge, Rear, 1166l, Linatex[650mm] (Standard)	1
▲▲	23 1232680	(10000000- 20000000)	Blade, Sqge, Front, 1072l Linard[650mm] (Standard)	1
▲	24 1221260	(10000000- 20000000)	Retainer, Sqge, 65cm [T500]	1
▽	21 9015735	(10000000- 20000000)	Blade Kit, 650mm, Urethane (Option)	1
▲	22 1228909	(10000000- 20000000)	Blade, Sqge, Rear, 1136l,Urethane[650mm] (Option)	1
▲	23 1228915	(10000000- 20000000)	Blade, Sqge, Front,1072l,Urethane[650mm] (Option)	1
▽	21 9015733	(10000000- 20000000)	Blade Kit, 650mm, Gum (Option)	1
▲	22 1228910	(10000000- 20000000)	Blade, Sqge, Rear, 1136l, Gum[650mm] (Option)	1
▲	23 1228919	(10000000- 20000000)	Blade, Sqge, Front, 1072l Gum[650mm] (Option)	1

▽ ASSEMBLY

▲ INCLUDED IN ASSEMBLY

**SQUEEGEE ASSEMBLY, 650MM / 26IN (Intended for 700MM Scrub Head Size)
(Upgraded Style 9018098 - Replaced By 9018626)**

355710



**SQUEEGEE ASSEMBLY, 650MM / 26IN (Intended for 700MM Scrub Head Size)
(Upgraded Style 9018098 - Replaced By 9018626)**

Ref.	Part No.	Serial Number	Description	Qty.
▽	9018098	(10000000- 10964902)	Squeegee Kit, 650mm (Replaced By 9018626)	1
▲	1 1221259	(10000000- 10964902)	Frame, Sqge, 65cm, Mach [T500] (Replaced By 9018626)	1
▲	2 74440	(10000000- 10964902)	Screw, Hex, M8 X 1.25 X 40, NI, Ss	2
▲	3 222496	(10000000- 20000000)	Sleeve, P/M, 0.32b 0.50d 0.9l [430ss]	2
▲	4 222066	(10000000- 20000000)	Wheel, 03.0d 0.88w 0.50b	2
▲	5 07786	(10000000- 20000000)	Nut, Hex, Std, M8 X 1.25, Ss	2
▲	6 1255358	(10000000- 20000000)	Screw, Btn, M8 X 1.25 X 85, Ss	4
▲	7 1074204	(10000000- 20000000)	Knob,Star,2.75d 4ear 1.1l M8x1.25,Thru,Y	4
▲	8 22290	(10000000- 20000000)	Spring, Cmpr, 0.72od .06wir 02.3l	4
▲	9 32716	(10000000- 10964902)	Nut, Hex, Jam, M10 X 1.5, Ss	2
▲	10 1034731	(10000000- 10964902)	Screw, Hex, M6 X 1.00 X 16, Sems, Ss	8
▲	11 1243081	(10000000- 10964902)	Washer, Flat, 0.034b 2.00d .06, Plstc	2
▲	12 1006343	(10000000- 20000000)	Caster, Swivel, 50mmd, M10 X 30, Clr PI	2
▲	13 1242820	(10000000- 10964902)	Sleeve, .40b .75d .2l [304Ss]	2
▲	14 12277	(10000000- 20000000)	Screw, Hex, M6 X 1.00 X 20, NI, Ss	1
▲	15 01684	(10000000- 20000000)	Washer, Flat, 0.27b 0.69d .05, Ss	1
▲	16 140060	(10000000- 20000000)	Washer, Wave- Spring, .505 .750 .045	1
▲	17 140154	(10000000- 20000000)	Sleeve, P/M, 0.25b 0.38d 0.3l, PI	1
▲	18 1222109	(10000000- 20000000)	Knob, Sqge, 58l, M6 X 1.00, Plstc	1
▲	19 1209631	(10000000- 20000000)	Cover, Trap, Water, Sqge	1
▲	20 1210756	(10000000- 20000000)	Gasket, Trap, Water, Sqge	1
▲▽	21 9015734	(10000000- 20000000)	Blade Kit, 650mm, Linatex/Linard (Standard)	1
▲▲	22 1221585	(10000000- 20000000)	Blade, Sqge, Rear, 1166l, Linatex[650mm] (Standard)	1
▲▲	23 1232680	(10000000- 20000000)	Blade, Sqge, Front, 1072l Linard[650mm] (Standard)	1
▲	24 1221260	(10000000- 20000000)	Retainer, Sqge, 65cm [T500]	1
▲	25 1242364	(10000000- 10964902)	Plate Wldt, Mtg, Caster [650] (Replaced By 9018626)	2
▽	21 9015735	(10000000- 20000000)	Blade Kit, 650mm, Urethane (Option)	1
▲	22 1228909	(10000000- 20000000)	Blade, Sqge, Rear, 1136l,Urethane[650mm] (Option)	1
▲	23 1228915	(10000000- 20000000)	Blade, Sqge, Front,1072l,Urethane[650mm] (Option)	1
▽	21 9015733	(10000000- 20000000)	Blade Kit, 650mm, Gum (Option)	1
▲	22 1228910	(10000000- 20000000)	Blade, Sqge, Rear, 1136l, Gum[650mm] (Option)	1
▲	23 1228919	(10000000- 20000000)	Blade, Sqge, Front, 1072l Gum[650mm] (Option)	1

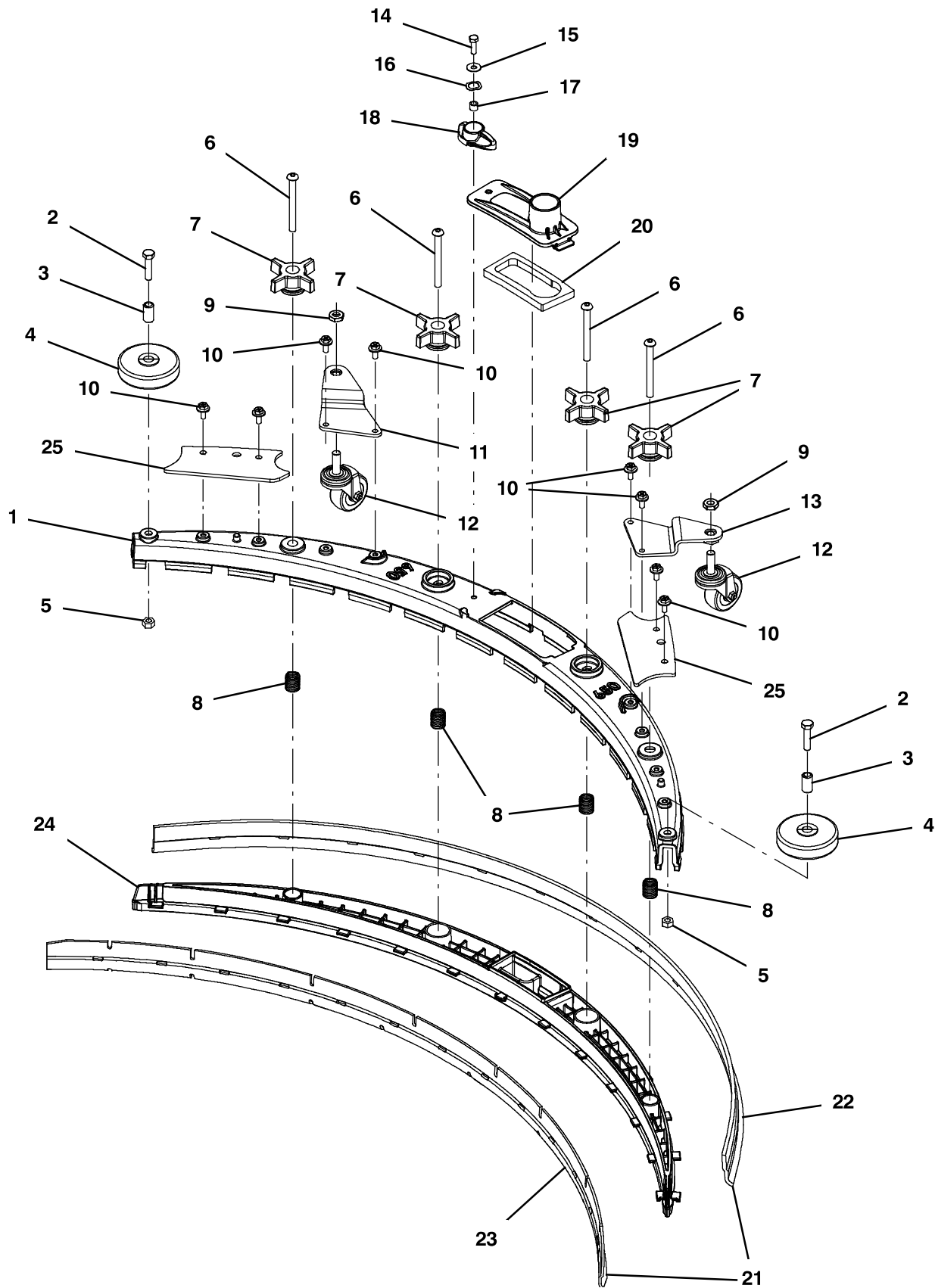
▽ ASSEMBLY

▲ INCLUDED IN ASSEMBLY

STANDARD PARTS

SQUEEGEE ASSEMBLY, 650MM / 26IN (Intended for 700MM Scrub Head Size) (Original Style 9015301 - Replaced By 9018626)

355438



**SQUEEGEE ASSEMBLY, 650MM / 26IN (Intended for 700MM Scrub Head Size)
(Original Style 9015301 - Replaced By 9018626)**

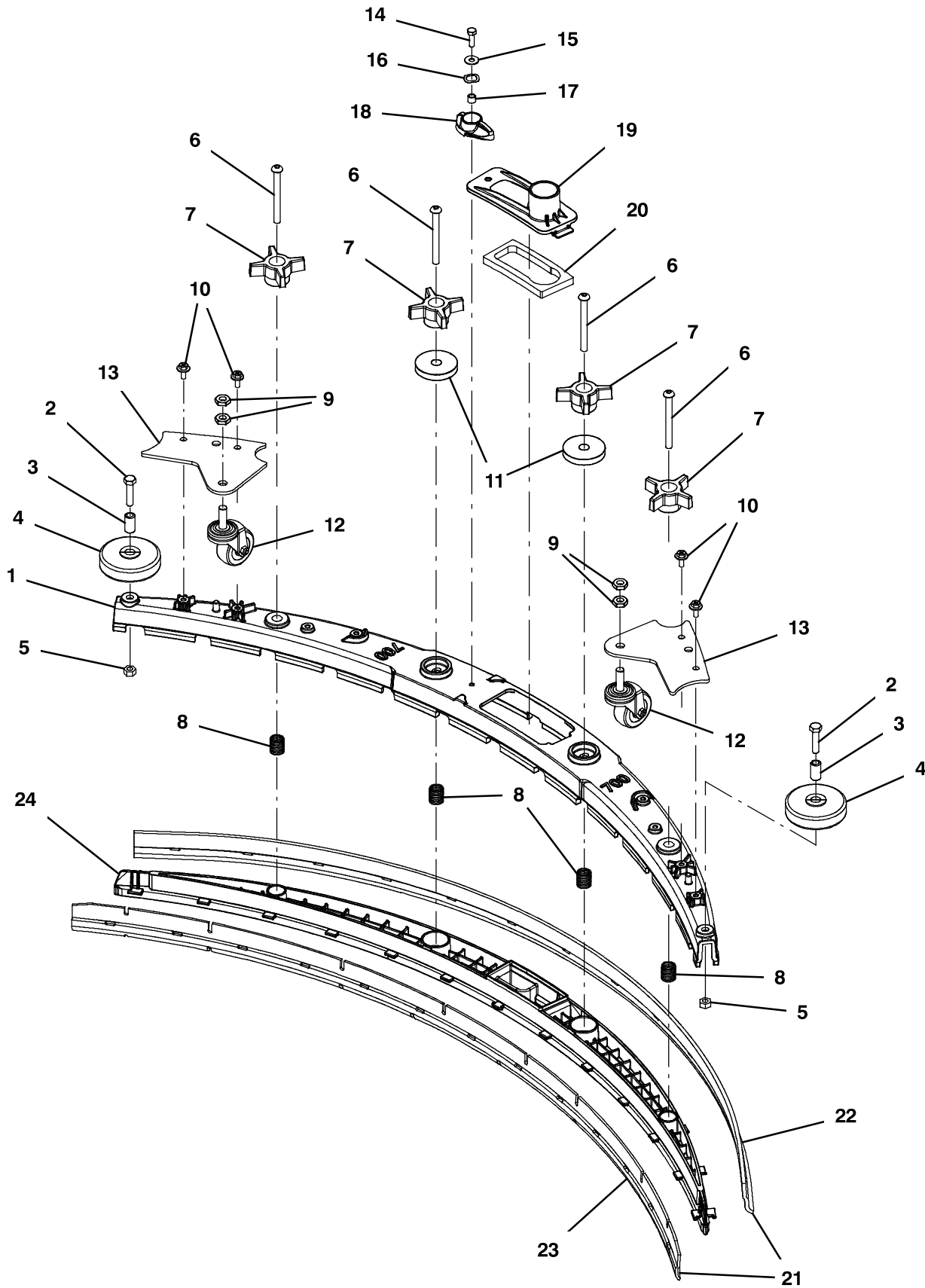
Ref.	Part No.	Serial Number	Description	Qty.
▽	9015301	(10000000- xxxxxxxx)	Squeegee Kit, 650mm, Ci (Replaced By 9018626)	1
▲	1 1221259	(10000000- xxxxxxxx)	Frame, Sqge, 65cm, Mach [T500] (Replaced By 1243537)	1
▲	2 59658	(10000000- 20000000)	Screw, Hex, M8 X 1.25 X 35, NI, Ss	2
▲	3 222496	(10000000- 20000000)	Sleeve, P/M, 0.32b 0.50d 0.9l [430ss]	2
▲	4 222066	(10000000- 20000000)	Wheel, 03.0d 0.88w 0.50b	2
▲	5 07786	(10000000- 20000000)	Nut, Hex, Std, M8 X 1.25, Ss	2
▲	6 1255358	(10000000- 20000000)	Screw, Btn, M8 X 1.25 X 85, Ss	4
▲	7 1074204	(10000000- 20000000)	Knob,Star,2.75d 4ear 1.1l M8x1.25,Thru,Y	4
▲	8 22290	(10000000- 20000000)	Spring, Cmpr, 0.72od .06wir 02.3l	4
▲	9 32716	(10000000- 20000000)	Nut, Hex, Jam, M10 X 1.5, Ss	2
▲	10 1034731	(10000000- 20000000)	Screw, Hex, M6 X 1.00 X 16, Sems, Ss	8
▲	11 1222236	(10000000- xxxxxxxx)	Bracket Wldt, Caster, Rh Sqge[T500]	1
▲	12 1006343	(10000000- 20000000)	Caster, Swivel, 50mmd, M10 X 30, Clr PI	2
▲	13 1222001	(10000000- xxxxxxxx)	Bracket Wldt, Caster, Lh Sqge [T500]	1
▲	14 12277	(10000000- 20000000)	Screw, Hex, M6 X 1.00 X 20, NI, Ss	1
▲	15 01684	(10000000- 20000000)	Washer, Flat, 0.27b 0.69d .05, Ss	1
▲	16 140060	(10000000- 20000000)	Washer, Wave- Spring, .505 .750 .045	1
▲	17 140154	(10000000- 20000000)	Sleeve, P/M, 0.25b 0.38d 0.3l, PI	1
▲	18 1222109	(10000000- 20000000)	Knob, Sqge, 58l, M6 X 1.00, Plstc	1
▲	19 1209631	(10000000- 20000000)	Cover, Trap, Water, Sqge	1
▲	20 1210756	(10000000- 20000000)	Gasket, Trap, Water, Sqge	1
▲▽	21 9015734	(10000000- 20000000)	Blade Kit, 650mm, Linatex/Linard (Standard)	1
▲▲	22 1221585	(10000000- 20000000)	Blade, Sqge, Rear, 1166l, Linatex[650mm] (Standard)	1
▲▲	23 1232680	(10000000- 20000000)	Blade, Sqge, Front, 1072l Linard[650mm] (Standard)	1
▲	24 1221260	(10000000- 20000000)	Retainer, Sqge, 65cm [T500]	1
▲	25 1230738	(10000000- xxxxxxxx)	Bracket, Sqge Bumper	2
▽	21 9015735	(10000000- 20000000)	Blade Kit, 650mm, Urethane (Option)	1
▲	22 1228909	(10000000- 20000000)	Blade, Sqge, Rear, 1136l,Urethane[650mm] (Option)	1
▲	23 1228915	(10000000- 20000000)	Blade, Sqge, Front,1072l,Urethane[650mm] (Option)	1
▽	21 9015733	(10000000- 20000000)	Blade Kit, 650mm, Gum (Option)	1
▲	22 1228910	(10000000- 20000000)	Blade, Sqge, Rear, 1136l, Gum[650mm] (Option)	1
▲	23 1228919	(10000000- 20000000)	Blade, Sqge, Front, 1072l Gum[650mm] (Option)	1

▽ ASSEMBLY

▲ INCLUDED IN ASSEMBLY

SQUEEGEE ASSEMBLY, 700MM / 28IN (Intended for 800MM Scrub Head Size)
(New Style 9018627)

355744



**SQUEEGEE ASSEMBLY, 700MM / 28IN (Intended for 800MM Scrub Head Size)
(New Style 9018627)**

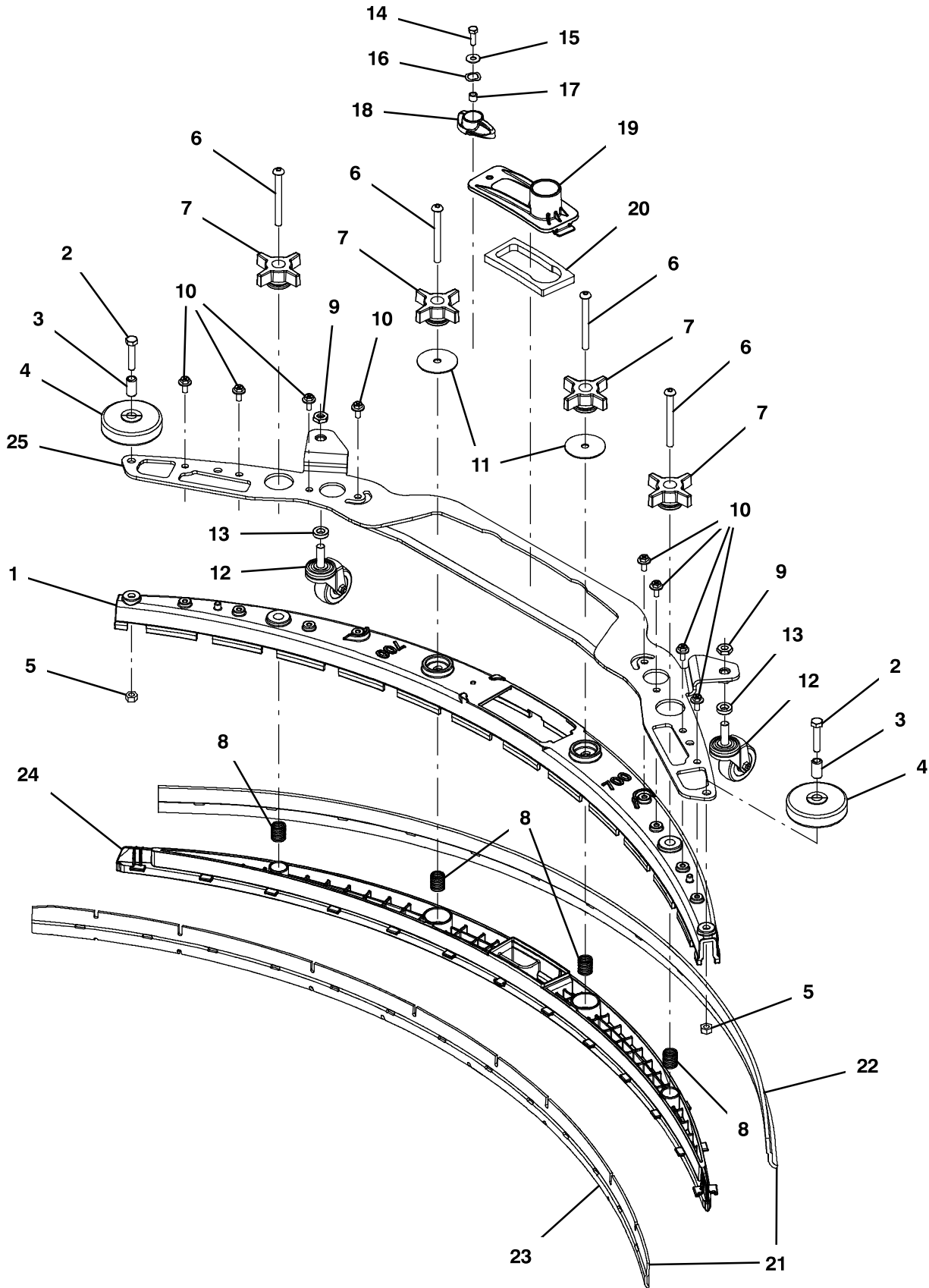
Ref.	Part No.	Serial Number	Description	Qty.
▽	9018627	(10963180- 20000000)	Squeegee Kit, 700mm [T600]	1
▲	1 1241632	(10963180- 20000000)	Frame, Sqge, 70cm, Mach [T500/T600]	1
▲	2 59658	(10963180- 20000000)	Screw, Hex, M8 X 1.25 X 35, NI, Ss	2
▲	3 222496	(10000000- 20000000)	Sleeve, P/M, 0.32b 0.50d 0.9l [430ss]	2
▲	4 222066	(10000000- 20000000)	Wheel, 03.0d 0.88w 0.50b	2
▲	5 07786	(10000000- 20000000)	Nut, Hex, Std, M8 X 1.25, Ss	2
▲	6 1255358	(10000000- 20000000)	Screw, Btn, M8 X 1.25 X 85, Ss	4
▲	7 1074204	(10000000- 20000000)	Knob,Star,2.75d 4ear 1.1l M8x1.25,Thru,Y	4
▲	8 22290	(10000000- 20000000)	Spring, Cmpr, 0.72od .06wir 02.3l	4
▲	9 32716	(10963180- 20000000)	Nut, Hex, Jam, M10 X 1.5, Ss	4
▲	10 1034731	(10963180- 20000000)	Screw, Hex, M6 X 1.00 X 16, Sems, Ss	4
▲	11 1243735	(10963180- 20000000)	Disc, Friction, Sqge	2
▲	12 1006343	(10000000- 20000000)	Caster, Swivel, 50mmd, M10 X 30, Clr PI	2
▲	13 1243364	(10963180- 20000000)	Plate, Caster, Sqge	2
▲	14 12277	(10000000- 20000000)	Screw, Hex, M6 X 1.00 X 20, NI, Ss	1
▲	15 01684	(10000000- 20000000)	Washer, Flat, 0.27b 0.69d .05, Ss	1
▲	16 140060	(10000000- 20000000)	Washer, Wave- Spring, .505 .750 .045	1
▲	17 140154	(10000000- 20000000)	Sleeve, P/M, 0.25b 0.38d 0.3l, PI	1
▲	18 1222109	(10000000- 20000000)	Knob, Sqge, 58l, M6 X 1.00, Plstc	1
▲	19 1209631	(10000000- 20000000)	Cover, Trap, Water, Sqge	1
▲	20 1210756	(10000000- 20000000)	Gasket, Trap, Water, Sqge	1
▲▽	21 9015737	(10000000- 20000000)	Blade Kit, 700mm, Linatex/Linard (Standard)	1
▲▲	22 1221572	(10000000- 20000000)	Blade, Sqge, Rear, 1204l, Linatex[700mm] (Standard)	1
▲▲	23 1232679	(10000000- 20000000)	Blade, Sqge, Front, 1148l Linard[700mm] (Standard)	1
▲	24 1220783	(10000000- 20000000)	Retainer, Sqge, 70cm [T500]	1
▽	21 9015738	(10000000- 20000000)	Blade Kit, 700mm, Urethane (Option)	1
▲	22 1228904	(10000000- 20000000)	Blade, Sqge, Rear, 1204l,Urethane[700mm] (Option)	1
▲	23 1228906	(10000000- 20000000)	Blade, Sqge, Front,1148l Urethane[700mm] (Option)	1
▽	21 9015736	(10000000- 20000000)	Blade Kit, 700mm, Gum (Option)	1
▲	22 1228905	(10000000- 20000000)	Blade, Sqge, Rear, 1204l, Gum[700mm] (Option)	1
▲	23 1228907	(10000000- 20000000)	Blade, Sqge, Front, 1148l Gum[700mm] (Option)	1

▽ ASSEMBLY

▲ INCLUDED IN ASSEMBLY

**SQUEEGEE ASSEMBLY, 700MM / 28IN (Intended for 800MM Scrub Head Size)
(Upgraded Style 9018086 - Replaced By 9018627)**

355711



**SQUEEGEE ASSEMBLY, 700MM / 28IN (Intended for 800MM Scrub Head Size)
(Upgraded Style 9018086 - Replaced By 9018627)**

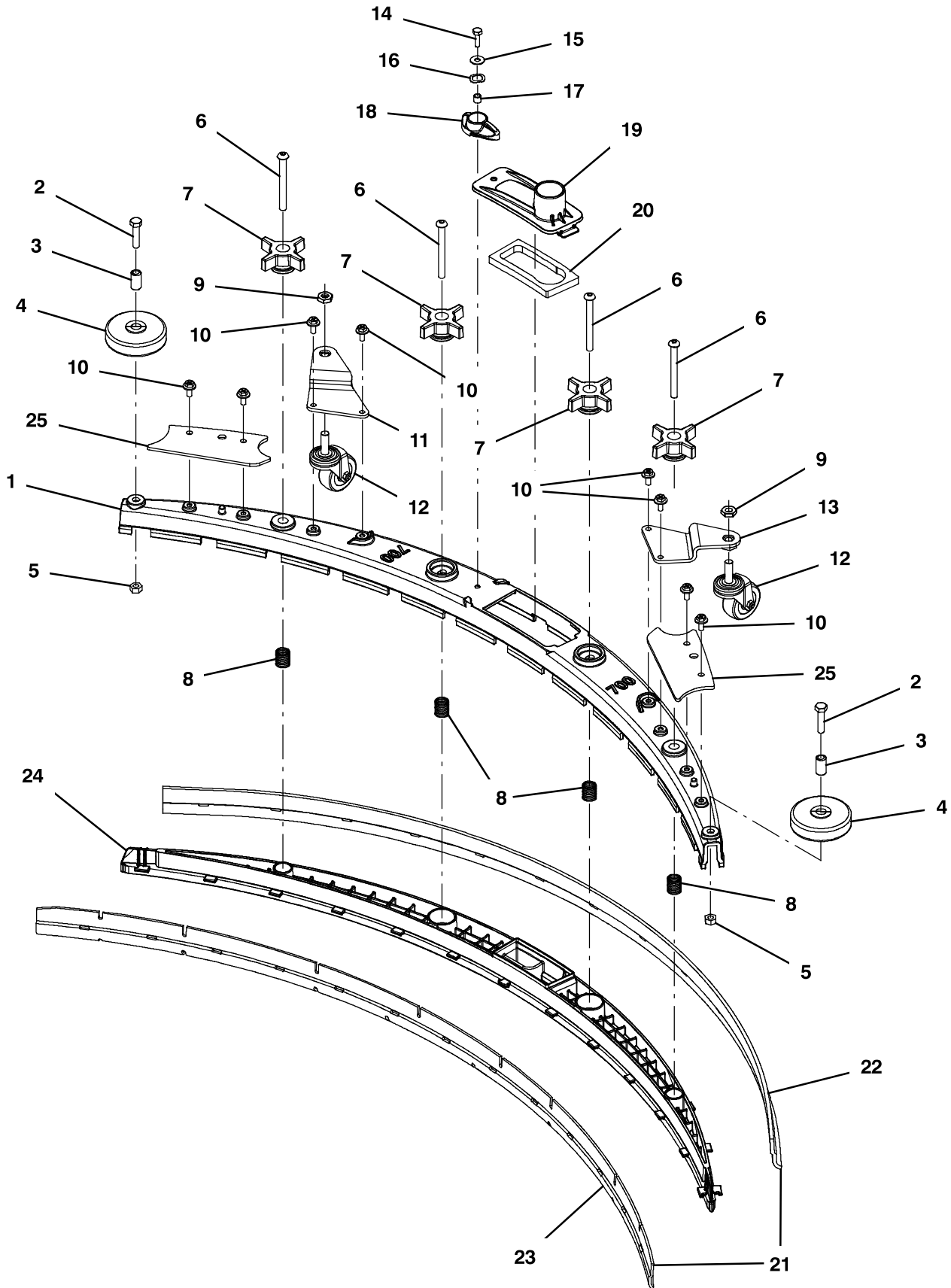
Ref.	Part No.	Serial Number	Description	Qty.
▽	9018086	(10000000- 10963179)	Squeegee Kit, 700mm (Replaced By 9018627)	1
▲	1 1220309	(10000000- 10963179)	Frame, Sqge, 70cm, Mach [T500] (Replaced By 9018627)	1
▲	2 74440	(10000000- 10963179)	Screw, Hex, M8 X 1.25 X 40, NI, Ss	2
▲	3 222496	(10000000- 20000000)	Sleeve, P/M, 0.32b 0.50d 0.9l [430ss]	2
▲	4 222066	(10000000- 20000000)	Wheel, 03.0d 0.88w 0.50b	2
▲	5 07786	(10000000- 20000000)	Nut, Hex, Std, M8 X 1.25, Ss	2
▲	6 1255358	(10000000- 20000000)	Screw, Btn, M8 X 1.25 X 85, Ss	4
▲	7 1074204	(10000000- 20000000)	Knob,Star,2.75d 4ear 1.1l M8x1.25,Thru,Y	4
▲	8 22290	(10000000- 20000000)	Spring, Cmpr, 0.72od .06wir 02.3l	4
▲	9 32716	(10000000- 10963179)	Nut, Hex, Jam, M10 X 1.5, Ss	2
▲	10 1034731	(10000000- 10963179)	Screw, Hex, M6 X 1.00 X 16, Sems, Ss	8
▲	11 1243081	(10000000- 10963179)	Washer, Flat, 0.034b 2.00d .06, Plstc	2
▲	12 1006343	(10000000- 20000000)	Caster, Swivel, 50mmd, M10 X 30, Clr PI	2
▲	13 1242820	(10000000- 10963179)	Sleeve, .40b .75d .2l [304Ss]	2
▲	14 12277	(10000000- 20000000)	Screw, Hex, M6 X 1.00 X 20, NI, Ss	1
▲	15 01684	(10000000- 20000000)	Washer, Flat, 0.27b 0.69d .05, Ss	1
▲	16 140060	(10000000- 20000000)	Washer, Wave- Spring, .505 .750 .045	1
▲	17 140154	(10000000- 20000000)	Sleeve, P/M, 0.25b 0.38d 0.3l, PI	1
▲	18 1222109	(10000000- 20000000)	Knob, Sqge, 58l, M6 X 1.00, Plstc	1
▲	19 1209631	(10000000- 20000000)	Cover, Trap, Water, Sqge	1
▲	20 1210756	(10000000- 20000000)	Gasket, Trap, Water, Sqge	1
▲▽	21 9015737	(10000000- 20000000)	Blade Kit, 700mm, Linatex/Linard (Standard)	1
▲▲	22 1221572	(10000000- 20000000)	Blade, Sqge, Rear, 1204l, Linatex[700mm] (Standard)	1
▲▲	23 1232679	(10000000- 20000000)	Blade, Sqge, Front, 1148l Linard[700mm] (Standard)	1
▲	24 1220783	(10000000- 20000000)	Retainer, Sqge, 70cm [T500]	1
▲	25 1242196	(10000000- 10963179)	Plate Wldt, Mtg, Caster [700] (Replaced By 9018627)	2
▽	21 9015738	(10000000- 20000000)	Blade Kit, 700mm, Urethane (Option)	1
▲	22 1228904	(10000000- 20000000)	Blade, Sqge, Rear, 1204l,Urethane[700mm] (Option)	1
▲	23 1228906	(10000000- 20000000)	Blade, Sqge, Front,1148l Urethane[700mm] (Option)	1
▽	21 9015736	(10000000- 20000000)	Blade Kit, 700mm, Gum (Option)	1
▲	22 1228905	(10000000- 20000000)	Blade, Sqge, Rear, 1204l, Gum[700mm] (Option)	1
▲	23 1228907	(10000000- 20000000)	Blade, Sqge, Front, 1148l Gum[700mm] (Option)	1

▽ ASSEMBLY

▲ INCLUDED IN ASSEMBLY

**SQUEEGEE ASSEMBLY, 700MM / 28IN (Intended for 800MM Scrub Head Size)
(Original Style 9015302 - Replaced By 9018627)**

355439



**SQUEEGEE ASSEMBLY, 700MM / 28IN (Intended for 800MM Scrub Head Size)
(Original Style 9015302 - Replaced By 9018627)**

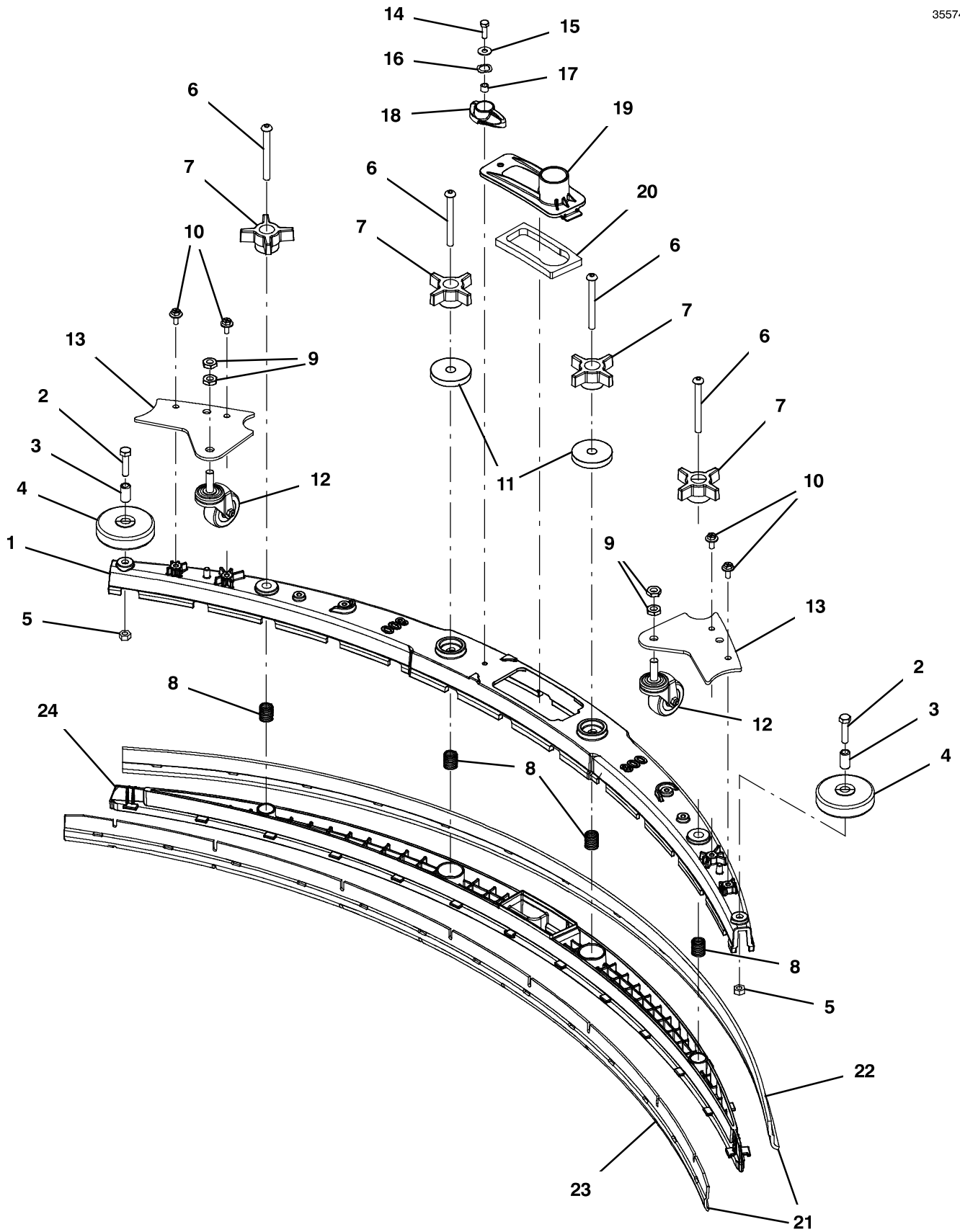
Ref.	Part No.	Serial Number	Description	Qty.
▽	9015302	(10000000- xxxxxxxx)	Squeegee Kit, 700mm, Ci (Replaced By 9018627)	1
▲	1 1220309	(10000000- xxxxxxxx)	Frame, Sqge, 70cm, Mach [T500] (Replaced By 1241632)	1
▲	2 59658	(10000000- 20000000)	Screw, Hex, M8 X 1.25 X 35, NI, Ss	2
▲	3 222496	(10000000- 20000000)	Sleeve, P/M, 0.32b 0.50d 0.9l [430ss]	2
▲	4 222066	(10000000- 20000000)	Wheel, 03.0d 0.88w 0.50b	2
▲	5 07786	(10000000- 20000000)	Nut, Hex, Std, M8 X 1.25, Ss	2
▲	6 1255358	(10000000- 20000000)	Screw, Btn, M8 X 1.25 X 85, Ss	4
▲	7 1074204	(10000000- 20000000)	Knob,Star,2.75d 4ear 1.1l M8x1.25,Thru,Y	4
▲	8 22290	(10000000- 20000000)	Spring, Cmpr, 0.72od .06wir 02.3l	4
▲	9 32716	(10000000- 20000000)	Nut, Hex, Jam, M10 X 1.5, Ss	2
▲	10 1034731	(10000000- 20000000)	Screw, Hex, M6 X 1.00 X 16, Sems, Ss	8
▲	11 1222236	(10000000- xxxxxxxx)	Bracket Wldt, Caster, Rh Sqge[T500]	1
▲	12 1006343	(10000000- 20000000)	Caster, Swivel, 50mmd, M10 X 30, Clr PI	2
▲	13 1222001	(10000000- xxxxxxxx)	Bracket Wldt, Caster, Lh Sqge [T500]	1
▲	14 12277	(10000000- 20000000)	Screw, Hex, M6 X 1.00 X 20, NI, Ss	1
▲	15 01684	(10000000- 20000000)	Washer, Flat, 0.27b 0.69d .05, Ss	1
▲	16 140060	(10000000- 20000000)	Washer, Wave- Spring, .505 .750 .045	1
▲	17 140154	(10000000- 20000000)	Sleeve, P/M, 0.25b 0.38d 0.3l, PI	1
▲	18 1222109	(10000000- 20000000)	Knob, Sqge, 58l, M6 X 1.00, Plstc	1
▲	19 1209631	(10000000- 20000000)	Cover, Trap, Water, Sqge	1
▲	20 1210756	(10000000- 20000000)	Gasket, Trap, Water, Sqge	1
▲▽	21 9015737	(10000000- 20000000)	Blade Kit, 700mm, Linatex/Linard (Standard)	1
▲▲	22 1221572	(10000000- 20000000)	Blade, Sqge, Rear, 1204l, Linatex[700mm] (Standard)	1
▲▲	23 1232679	(10000000- 20000000)	Blade, Sqge, Front, 1148l Linard[700mm] (Standard)	1
▲	24 1220783	(10000000- 20000000)	Retainer, Sqge, 70cm [T500]	1
▲	25 1230738	(10000000- xxxxxxxx)	Bracket, Sqge Bumper	2
▽	21 9015738	(10000000- 20000000)	Blade Kit, 700mm, Urethane (Option)	1
▲	22 1228904	(10000000- 20000000)	Blade, Sqge, Rear, 1204l,Urethane[700mm] (Option)	1
▲	23 1228906	(10000000- 20000000)	Blade, Sqge, Front,1148l Urethane[700mm] (Option)	1
▽	21 9015736	(10000000- 20000000)	Blade Kit, 700mm, Gum (Option)	1
▲	22 1228905	(10000000- 20000000)	Blade, Sqge, Rear, 1204l, Gum[700mm] (Option)	1
▲	23 1228907	(10000000- 20000000)	Blade, Sqge, Front, 1148l Gum[700mm] (Option)	1

▽ ASSEMBLY

▲ INCLUDED IN ASSEMBLY

SQUEEGEE ASSEMBLY, 800MM / 32IN (Intended for 900MM Scrub Head Size)
(New Style 9018628)

355745



**SQUEEGEE ASSEMBLY, 800MM / 32IN (Intended for 900MM Scrub Head Size)
(New Style 9018628)**

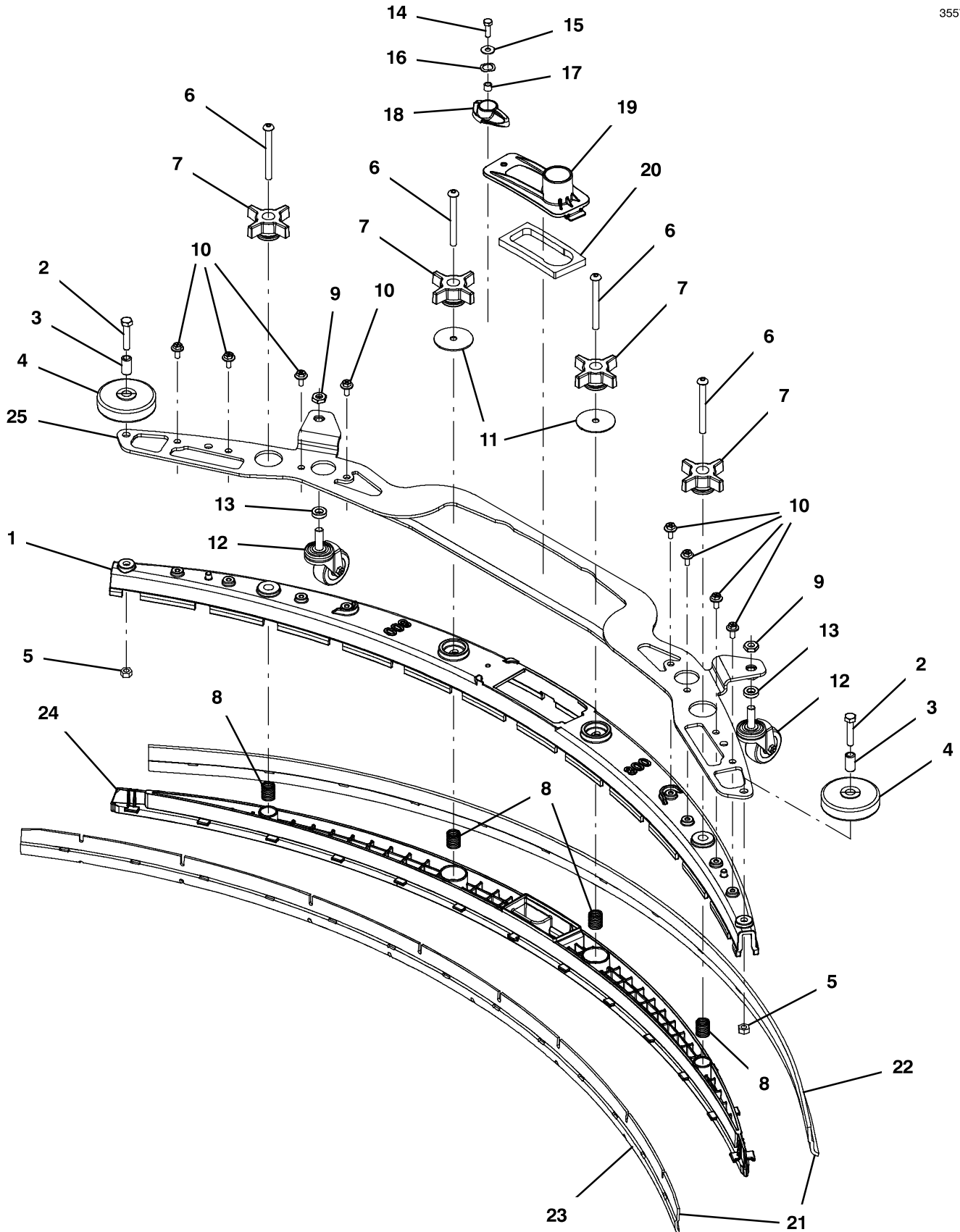
Ref.	Part No.	Serial Number	Description	Qty.
▽	9018628	(10964187- 20000000)	Squeegee Kit, 800mm [T600]	1
▲	1 1243538	(10964187- 20000000)	Frame, Sqge, 80cm, Mach [T500/T600]	1
▲	2 59658	(10964187- 20000000)	Screw, Hex, M8 X 1.25 X 35, NI, Ss	2
▲	3 222496	(10000000- 20000000)	Sleeve, P/M, 0.32b 0.50d 0.9l [430ss]	2
▲	4 222066	(10000000- 20000000)	Wheel, 03.0d 0.88w 0.50b	2
▲	5 07786	(10000000- 20000000)	Nut, Hex, Std, M8 X 1.25, Ss	2
▲	6 1255358	(10000000- 20000000)	Screw, Btn, M8 X 1.25 X 85, Ss	4
▲	7 1074204	(10000000- 20000000)	Knob,Star,2.75d 4ear 1.1l M8x1.25,Thru,Y	4
▲	8 22290	(10000000- 20000000)	Spring, Cmpr, 0.72od .06wir 02.3l	4
▲	9 32716	(10964187- 20000000)	Nut, Hex, Jam, M10 X 1.5, Ss	4
▲	10 1034731	(10964187- 20000000)	Screw, Hex, M6 X 1.00 X 16, Sems, Ss	4
▲	11 1243735	(10964187- 20000000)	Disc, Friction, Sqge	2
▲	12 1006343	(10000000- 20000000)	Caster, Swivel, 50mmd, M10 X 30, Clr PI	2
▲	13 1243364	(10964187- 20000000)	Plate, Caster, Sqge	2
▲	14 12277	(10000000- 20000000)	Screw, Hex, M6 X 1.00 X 20, NI, Ss	1
▲	15 01684	(10000000- 20000000)	Washer, Flat, 0.27b 0.69d .05, Ss	1
▲	16 140060	(10000000- 20000000)	Washer, Wave- Spring, .505 .750 .045	1
▲	17 140154	(10000000- 20000000)	Sleeve, P/M, 0.25b 0.38d 0.3l, PI	1
▲	18 1222109	(10000000- 20000000)	Knob, Sqge, 58l, M6 X 1.00, Plstc	1
▲	19 1209631	(10000000- 20000000)	Cover, Trap, Water, Sqge	1
▲	20 1210756	(10000000- 20000000)	Gasket, Trap, Water, Sqge	1
▲▽	21 9015740	(10000000- 20000000)	Blade Kit, 800mm, Linatex/Linard (Standard)	1
▲▲	22 1221115	(10000000- 20000000)	Blade, Sqge, Rear, 1306l, Linatex[800mm] (Standard)	1
▲▲	23 1232681	(10000000- 20000000)	Blade, Sqge, Front, 1256l Linard[800mm] (Standard)	1
▲	24 1219405	(10000000- 20000000)	Retainer, Sqge, 80cm [T500]	1
▽	21 9015741	(10000000- 20000000)	Blade Kit, 800mm, Urethane (Option)	1
▲	22 1228920	(10000000- 20000000)	Blade, Sqge, Rear, 1306l,Urethane[800mm] (Option)	1
▲	23 1228922	(10000000- 20000000)	Blade, Sqge, Front,1256l Urethane[800mm] (Option)	1
▽	21 9015739	(10000000- 20000000)	Blade Kit, 800mm, Gum (Option)	1
▲	22 1228921	(10000000- 20000000)	Blade, Sqge, Rear, 1306l, Gum[800mm] (Option)	1
▲	23 1228923	(10000000- 20000000)	Blade, Sqge, Front, 1256l Gum[800mm] (Option)	1

▽ ASSEMBLY

▲ INCLUDED IN ASSEMBLY

**SQUEEGEE ASSEMBLY, 800MM / 32IN (Intended for 900MM Scrub Head Size)
(Upgraded Style 9018127 - Replaced By 9018628)**

355712



**SQUEEGEE ASSEMBLY, 800MM / 32IN (Intended for 900MM Scrub Head Size)
(Upgraded Style 9018127 - Replaced By 9018628)**

Ref.	Part No.	Serial Number	Description	Qty.
▽	9018127	(10000000- 10964186)	Squeegee Kit, 800mm (Replaced By 9018628)	1
▲	1 1219894	(10000000- 10964186)	Frame, Sqge, 80cm, Mach [T500] (Replaced By 9018628)	1
▲	2 74440	(10000000- 10964186)	Screw, Hex, M8 X 1.25 X 40, NI, Ss	2
▲	3 222496	(10000000- 20000000)	Sleeve, P/M, 0.32b 0.50d 0.9l [430ss]	2
▲	4 222066	(10000000- 20000000)	Wheel, 03.0d 0.88w 0.50b	2
▲	5 07786	(10000000- 20000000)	Nut, Hex, Std, M8 X 1.25, Ss	2
▲	6 1255358	(10000000- 20000000)	Screw, Btn, M8 X 1.25 X 85, Ss	4
▲	7 1074204	(10000000- 20000000)	Knob,Star,2.75d 4ear 1.1l M8x1.25,Thru,Y	4
▲	8 22290	(10000000- 20000000)	Spring, Cmpr, 0.72od .06wir 02.3l	4
▲	9 32716	(10000000- 10964186)	Nut, Hex, Jam, M10 X 1.5, Ss	2
▲	10 1034731	(10000000- 10964186)	Screw, Hex, M6 X 1.00 X 16, Sems, Ss	8
▲	11 1243081	(10000000- 10964186)	Washer, Flat, 0.034b 2.00d .06, Plstc	2
▲	12 1006343	(10000000- 20000000)	Caster, Swivel, 50mmd, M10 X 30, Clr PI	2
▲	13 1242820	(10000000- 10964186)	Sleeve, .40b .75d .2l [304Ss]	2
▲	14 12277	(10000000- 20000000)	Screw, Hex, M6 X 1.00 X 20, NI, Ss	1
▲	15 01684	(10000000- 20000000)	Washer, Flat, 0.27b 0.69d .05, Ss	1
▲	16 140060	(10000000- 20000000)	Washer, Wave- Spring, .505 .750 .045	1
▲	17 140154	(10000000- 20000000)	Sleeve, P/M, 0.25b 0.38d 0.3l, PI	1
▲	18 1222109	(10000000- 20000000)	Knob, Sqge, 58l, M6 X 1.00, Plstc	1
▲	19 1209631	(10000000- 20000000)	Cover, Trap, Water, Sqge	1
▲	20 1210756	(10000000- 20000000)	Gasket, Trap, Water, Sqge	1
▲▽	21 9015740	(10000000- 20000000)	Blade Kit, 800mm, Linatex/Linard (Standard)	1
▲▲	22 1221115	(10000000- 20000000)	Blade, Sqge, Rear, 1306l, Linatex[800mm] (Standard)	1
▲▲	23 1232681	(10000000- 20000000)	Blade, Sqge, Front, 1256l Linard[800mm] (Standard)	1
▲	24 1219405	(10000000- 20000000)	Retainer, Sqge, 80cm [T500]	1
▲	25 1242545	(10000000- 10964186)	Plate Wldt, Mtg, Caster [800] (Replaced By 9018628)	2
▽	21 9015741	(10000000- 20000000)	Blade Kit, 800mm, Urethane (Option)	1
▲	22 1228920	(10000000- 20000000)	Blade, Sqge, Rear, 1306l,Urethane[800mm] (Option)	1
▲	23 1228922	(10000000- 20000000)	Blade, Sqge, Front,1256l Urethane[800mm] (Option)	1
▽	21 9015739	(10000000- 20000000)	Blade Kit, 800mm, Gum (Option)	1
▲	22 1228921	(10000000- 20000000)	Blade, Sqge, Rear, 1306l, Gum[800mm] (Option)	1
▲	23 1228923	(10000000- 20000000)	Blade, Sqge, Front, 1256l Gum[800mm] (Option)	1

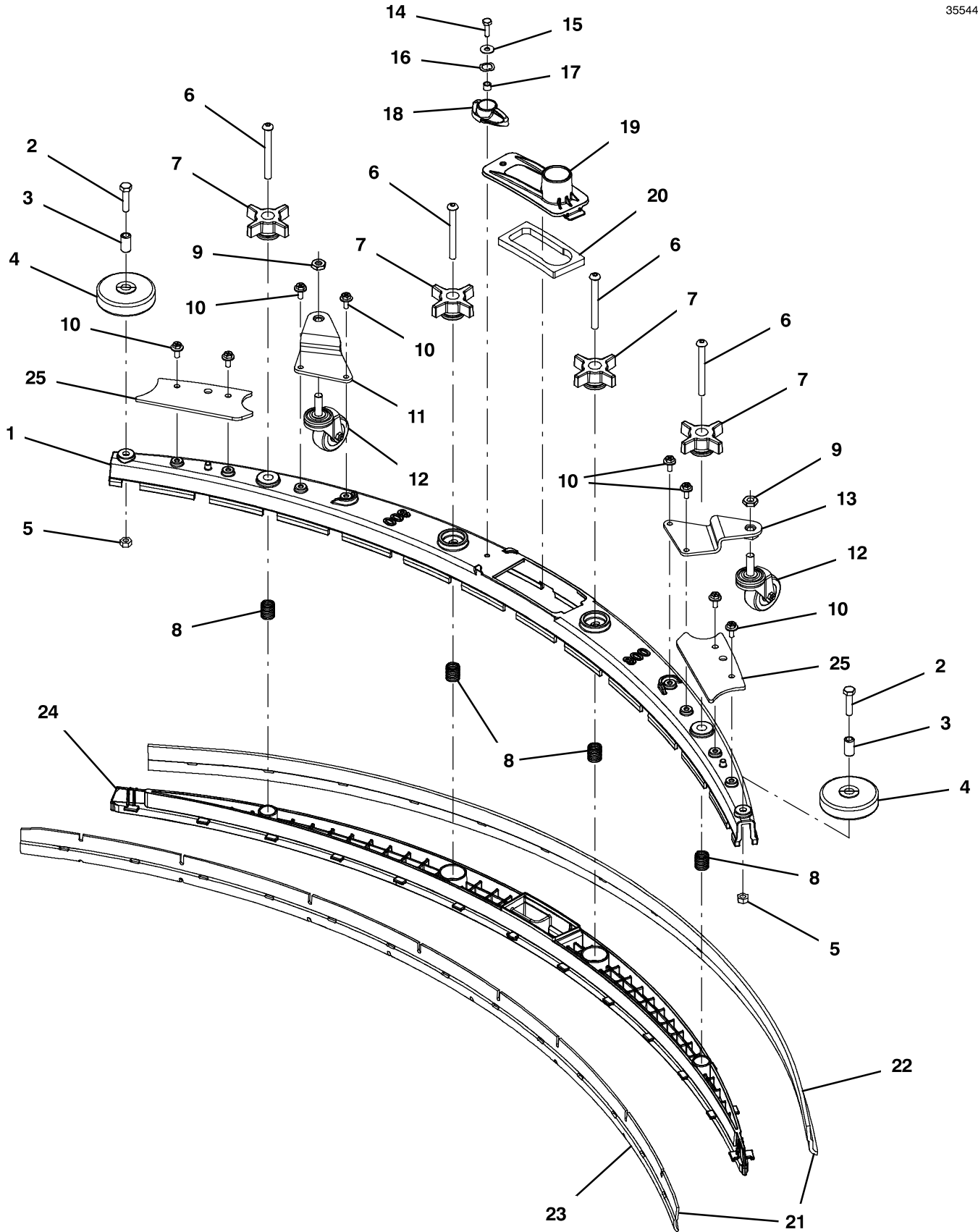
▽ ASSEMBLY

▲ INCLUDED IN ASSEMBLY

STANDARD PARTS

SQUEEGEE ASSEMBLY, 800MM / 32IN (Intended for 900MM Scrub Head Size) (Original Style 9015303 - Replaced By 9018628)

355440



**SQUEEGEE ASSEMBLY, 800MM / 32IN (Intended for 900MM Scrub Head Size)
(Original Style 9015303 - Replaced By 9018628)**

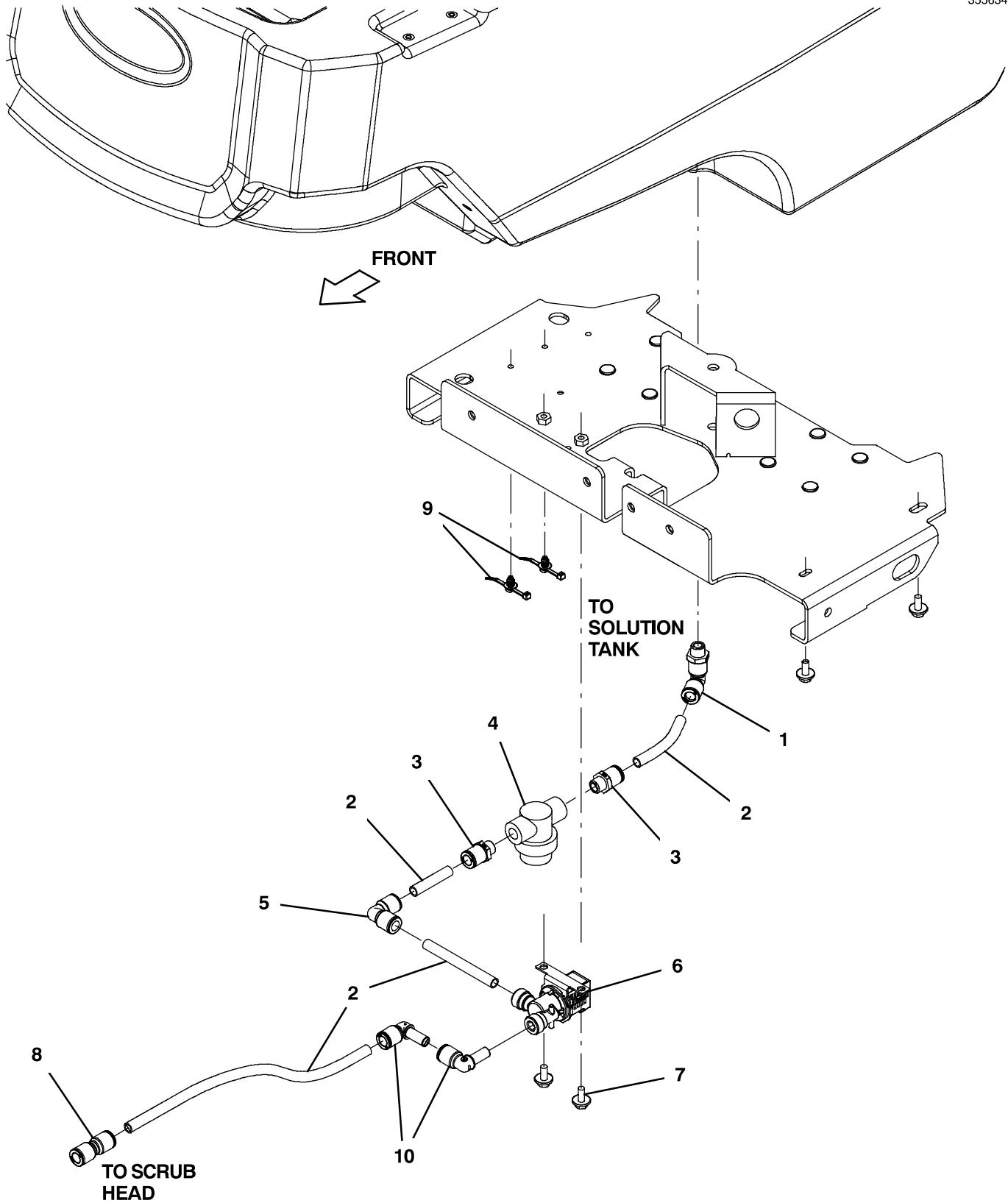
Ref.	Part No.	Serial Number	Description	Qty.
▽	9015303	(10000000- xxxxxxxx)	Squeegee Kit, 800mm, Ci (Replaced By 9018628)	1
▲	1 1219894	(10000000- xxxxxxxx)	Frame, Sqge, 80cm, Mach [T500] (Replaced By 1243538)	1
▲	2 59658	(10000000- 20000000)	Screw, Hex, M8 X 1.25 X 35, NI, Ss	2
▲	3 222496	(10000000- 20000000)	Sleeve, P/M, 0.32b 0.50d 0.9l [430ss]	2
▲	4 222066	(10000000- 20000000)	Wheel, 03.0d 0.88w 0.50b	2
▲	5 07786	(10000000- 20000000)	Nut, Hex, Std, M8 X 1.25, Ss	2
▲	6 1255358	(10000000- 20000000)	Screw, Btn, M8 X 1.25 X 85, Ss	4
▲	7 1074204	(10000000- 20000000)	Knob,Star,2.75d 4ear 1.1l M8x1.25,Thru,Y	4
▲	8 22290	(10000000- 20000000)	Spring, Cmpr, 0.72od .06wir 02.3l	4
▲	9 32716	(10000000- 20000000)	Nut, Hex, Jam, M10 X 1.5, Ss	2
▲	10 1034731	(10000000- 20000000)	Screw, Hex, M6 X 1.00 X 16, Sems, Ss	8
▲	11 1222236	(10000000- xxxxxxxx)	Bracket Wldt, Caster, Rh Sqge[T500]	1
▲	12 1006343	(10000000- 20000000)	Caster, Swivel, 50mmd, M10 X 30, Clr PI	2
▲	13 1222001	(10000000- xxxxxxxx)	Bracket Wldt, Caster, Lh Sqge [T500]	1
▲	14 12277	(10000000- 20000000)	Screw, Hex, M6 X 1.00 X 20, NI, Ss	1
▲	15 01684	(10000000- 20000000)	Washer, Flat, 0.27b 0.69d .05, Ss	1
▲	16 140060	(10000000- 20000000)	Washer, Wave- Spring, .505 .750 .045	1
▲	17 140154	(10000000- 20000000)	Sleeve, P/M, 0.25b 0.38d 0.3l, PI	1
▲	18 1222109	(10000000- 20000000)	Knob, Sqge, 58l, M6 X 1.00, Plstc	1
▲	19 1209631	(10000000- 20000000)	Cover, Trap, Water, Sqge	1
▲	20 1210756	(10000000- 20000000)	Gasket, Trap, Water, Sqge	1
▲▽	21 9015740	(10000000- 20000000)	Blade Kit, 800mm, Linatex/Linard (Standard)	1
▲▲	22 1221115	(10000000- 20000000)	Blade, Sqge, Rear, 1306l, Linatex[800mm] (Standard)	1
▲▲	23 1232681	(10000000- 20000000)	Blade, Sqge, Front, 1256l Linard[800mm] (Standard)	1
▲	24 1219405	(10000000- 20000000)	Retainer, Sqge, 80cm [T500]	1
▲	25 1230738	(10000000- xxxxxxxx)	Bracket, Sqge Bumper	2
▽	21 9015741	(10000000- 20000000)	Blade Kit, 800mm, Urethane (Option)	1
▲	22 1228920	(10000000- 20000000)	Blade, Sqge, Rear, 1306l,Urethane[800mm] (Option)	1
▲	23 1228922	(10000000- 20000000)	Blade, Sqge, Front,1256l Urethane[800mm] (Option)	1
▽	21 9015739	(10000000- 20000000)	Blade Kit, 800mm, Gum (Option)	1
▲	22 1228921	(10000000- 20000000)	Blade, Sqge, Rear, 1306l, Gum[800mm] (Option)	1
▲	23 1228923	(10000000- 20000000)	Blade, Sqge, Front, 1256l Gum[800mm] (Option)	1

▽ ASSEMBLY

▲ INCLUDED IN ASSEMBLY

STANDARD SOLUTION GROUP

355634



STANDARD SOLUTION GROUP

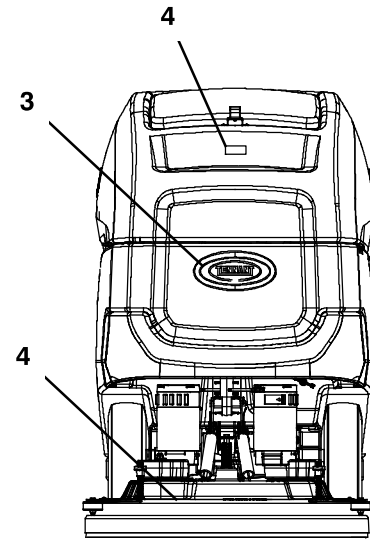
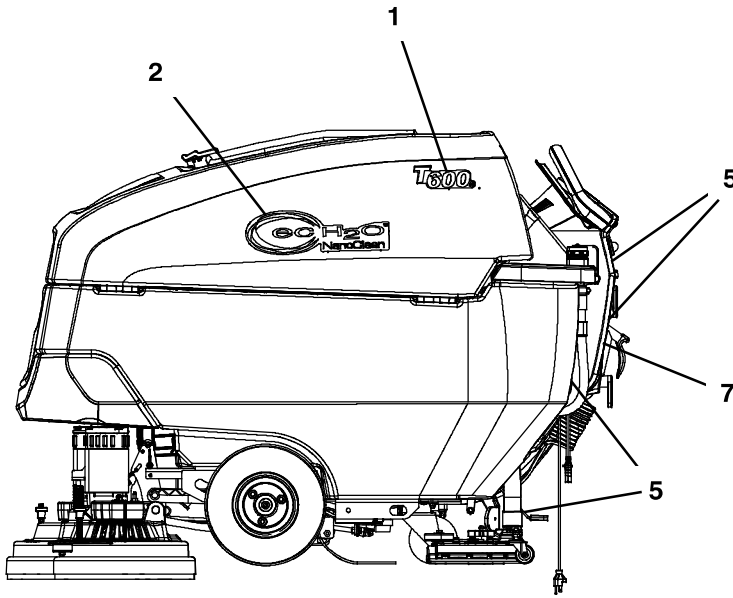
Ref.	Part No.	Serial Number	Description	Qty.	
1	1243587	(10922118- 20000000)	Fitting, Brs, E90, Qf08/Pm06, Swivel	1	
1	1212987	(10000000- 10922117)	Fitting, Plstc, E90, Qf08/Pm06, Swivel (Replaced By 1243587)	1	
2	9014145	(10000000- 20000000)	Hose, Afmkt, Pe, .375id .50od, 05ft	1	
3	1212813	(10000000- 20000000)	Fitting, Plstc, Str, Qf08/Pm06	2	
▽	4	1211537	(10000000- 20000000)	Filter, In- Line [80 Mesh, Fine, White]	1
▲	1218885	(10000000- 20000000)	Gasket [Epdm, F/1211537]	1	
▲	1218883	(10000000- 20000000)	Screen, Fltr, 80 Mesh, Ss [Fine, White]	1	
▲	613991	(10000000- 20000000)	Bowl, Clr, Short, F/1005302	1	
5	1221945	(10000000- 20000000)	Fitting, Plstc, E90, Qf08/Qf08	1	
6	1228697	(10000000- 20000000)	Valve, Water, Solenoid, 36vdc Qf08/Qf08	1	
7	1020341	(10000000- 20000000)	Screw, Hex, M8 X 1.25 X 20, Ss, Sems	2	
8	1212859	(10000000- 20000000)	Fitting, Plstc, Str, Qf08/Qf08	1	
9	1210807	(10000000- 20000000)	Wire, Tie [W/.25" Fir Tree Clip]	2	
10	1212809	(10000000- 20000000)	Fitting, Plstc, E90, Qf08/Qm08	2	

▽ ASSEMBLY

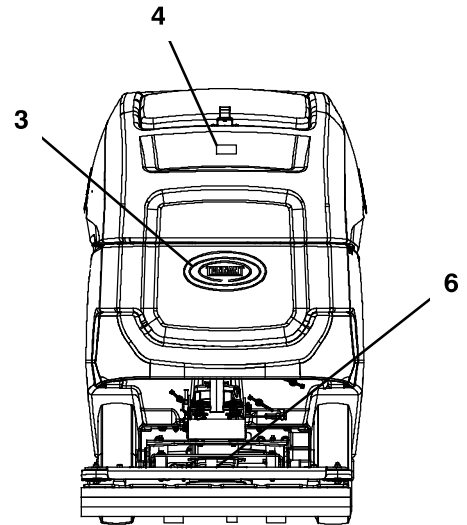
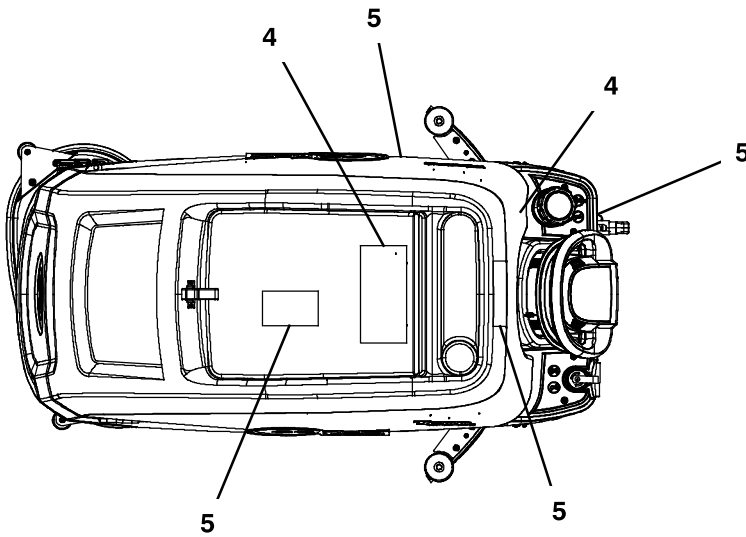
▲ INCLUDED IN ASSEMBLY

STANDARD LABEL GROUP

355660



DISK & CYLINDRICAL HEAD

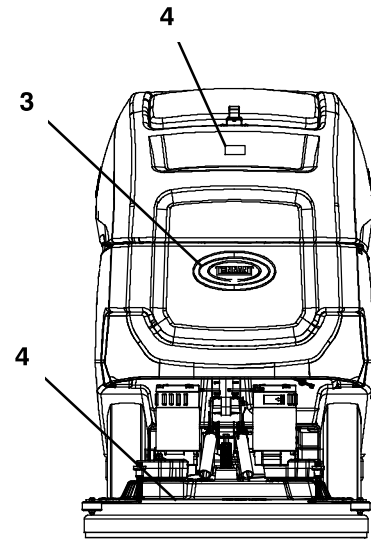
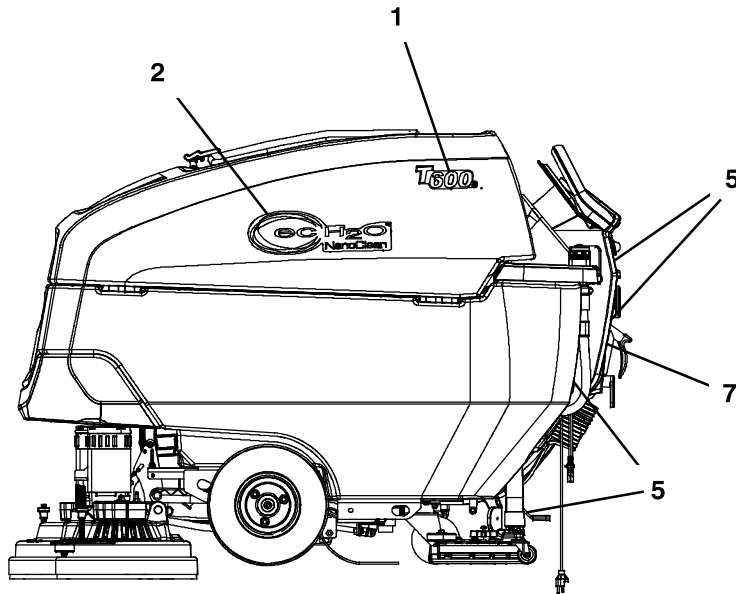


ORBITAL HEAD

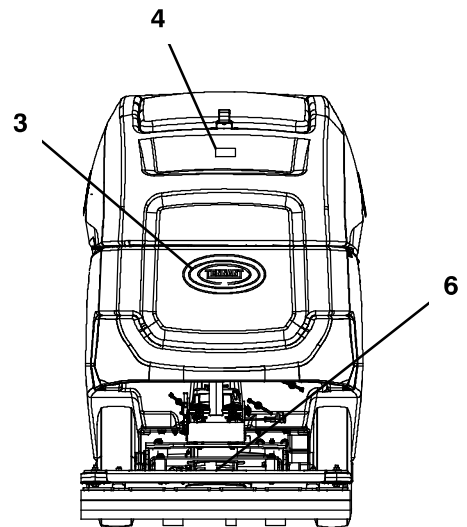
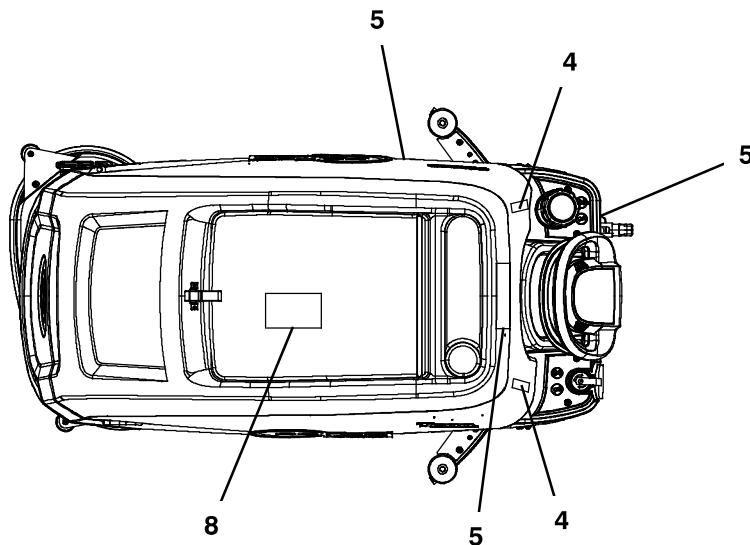
Ref.	Part No.	Serial Number	Description	Qty.
1	1231361	(10000000- 20000000)	Label, Logo, [T600e]	2
1	1231360	(10000000- 20000000)	Label, Logo, [T600]	2
2	1216520	(10000000- 20000000)	Label, Logo [Ech2o Nano]	2
3	1231367	(10000000- 20000000)	Label, Logo, 7.00l, Blk/Stl [Tennant]	1
4	1220962	(10000000- 20000000)	Label Sheet, Info/Hzrd [T500, Na]	1
5	1234509	(10000000- 20000000)	Label Sheet, Operational [T600/T600e]	1
6	1224995	(10000000- 20000000)	Label, Orbital, Size, 70cm	1
7	1225763	(10000000- 20000000)	Label, Decal, Charger, Off- Board	1

STANDARD LABEL GROUP (BRAZIL)

355662



DISK & CYLINDRICAL HEAD



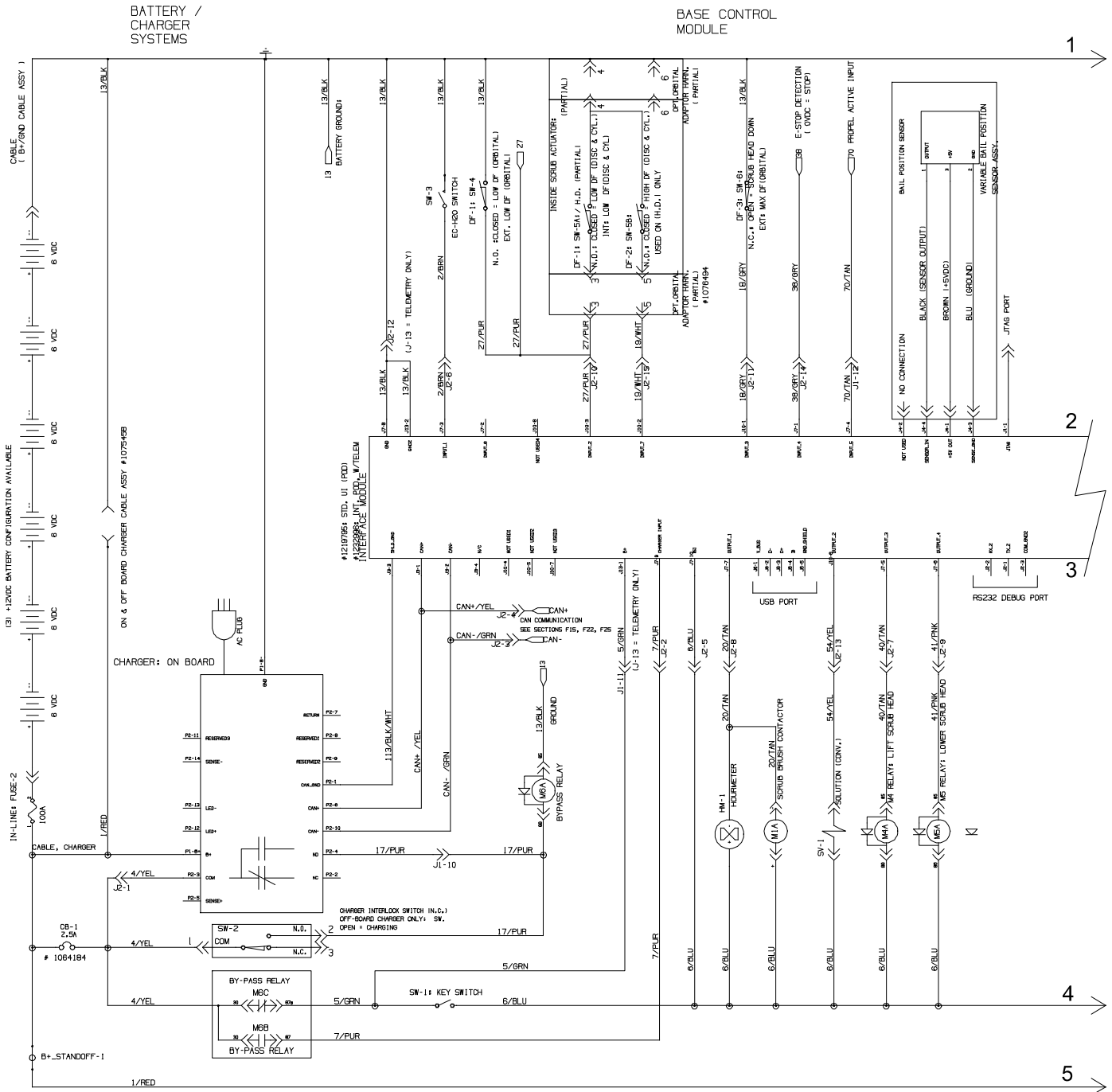
ORBITAL HEAD

Ref.	Part No.	Serial Number	Description	Qty.
1	1231360	(10000000- 20000000)	Label, Logo, [T600]	2
1	1231361	(10000000- 20000000)	Label, Logo, [T600e]	2
2	1216520	(10000000- 20000000)	Label, Logo [Ech2o Nano]	2
3	1231367	(10000000- 20000000)	Label, Logo, 7.00l, Blk/Stl [Tennant]	1
4	1220963	(10000000- 20000000)	Label Sheet, Info/Hzrd [T500, Ce]	1
5	1234509	(10000000- 20000000)	Label Sheet, Operational [T600/T600e]	1
6	1224995	(10000000- 20000000)	Label, Orbital, Size, 70cm	1
7	1225763	(10000000- 20000000)	Label, Decal, Charger, Off- Board	1
8	1239010	(10000000- 20000000)	Label, Instr, Battery [Emea]	1

ELECTRICAL DIAGRAM T600e MODEL (PAGE 1 OF 9)

1076283_01

WET LEAD ACID BATTERY DIAGRAM

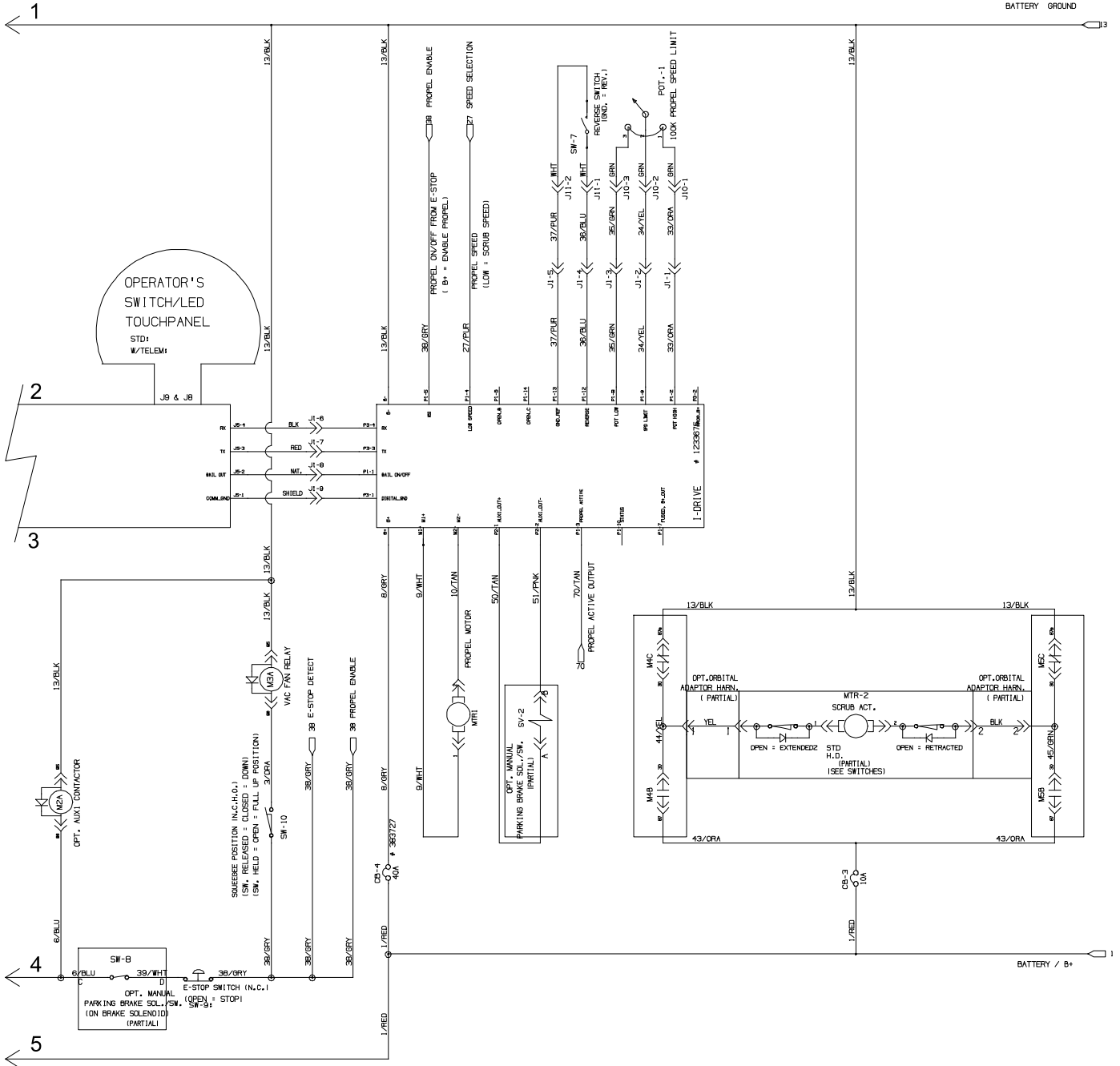


ELECTRICAL DIAGRAM T600e MODEL (PAGE 2 OF 9)

1076283_01

WET LEAD ACID BATTERY DIAGRAM - Cont'd

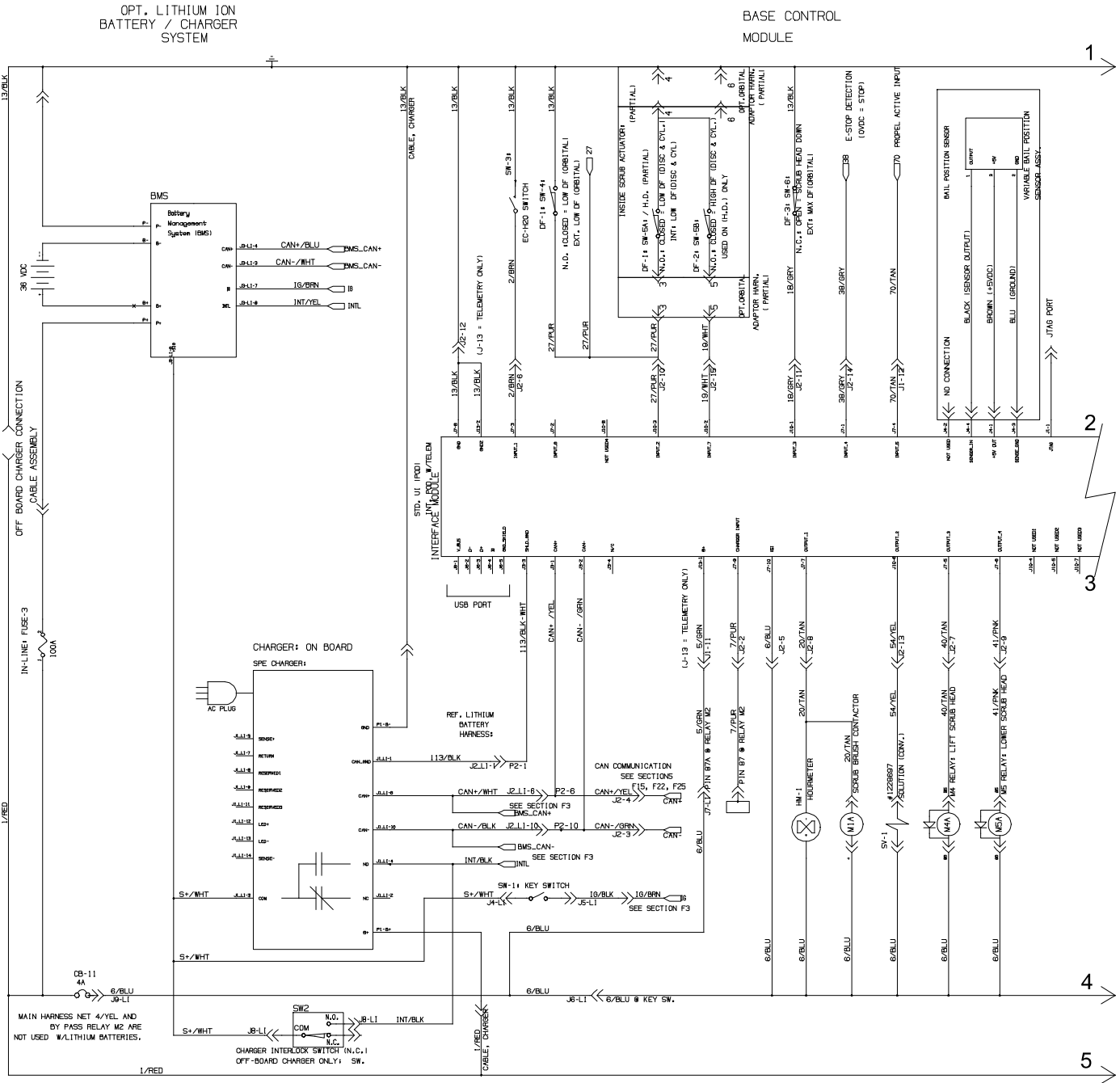
PROPEL SYSTEM



ELECTRICAL DIAGRAM T600e MODEL (PAGE 3 OF 9)

1076283_01

LITHIUM ION BATTERY DIAGRAM

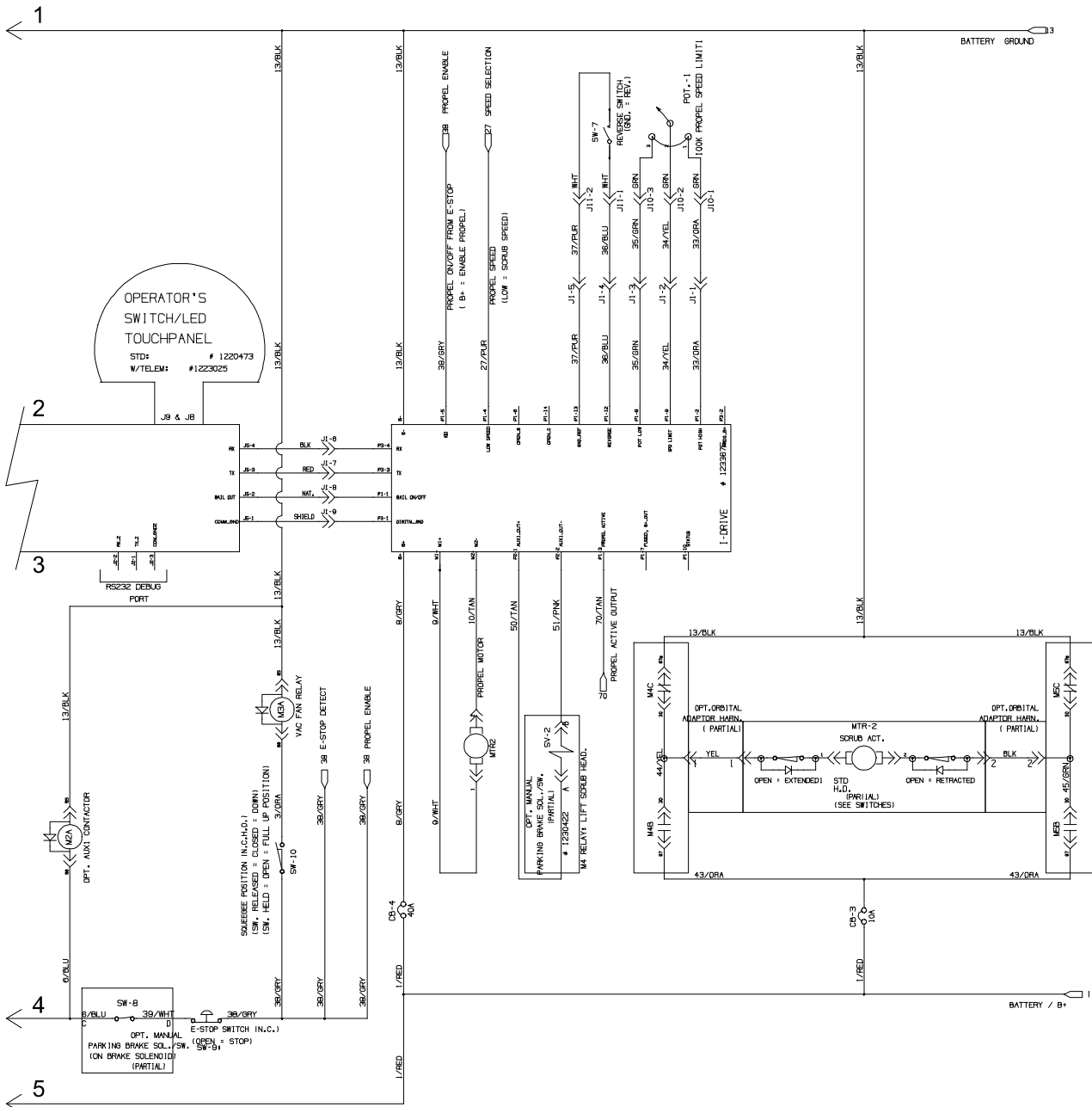


ELECTRICAL DIAGRAM T600e MODEL (PAGE 4 OF 9)

1076283_01

LITHIUM ION BATTERY DIAGRAM - Cont'd

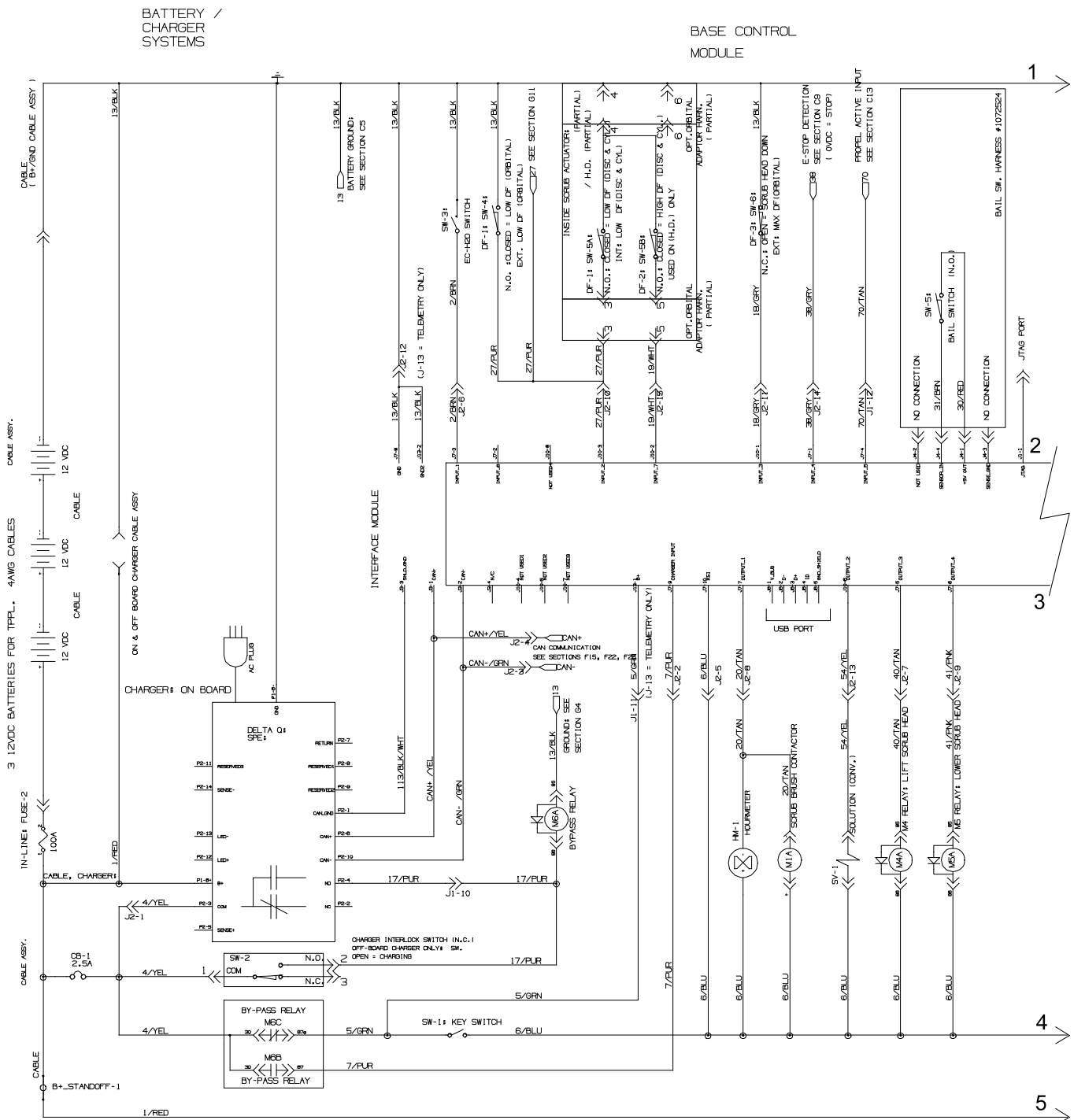
PROPEL SYSTEM



ELECTRICAL DIAGRAM T600e MODEL (PAGE 5 OF 9)

1076283_02

TPPL BATTERY DIAGRAM



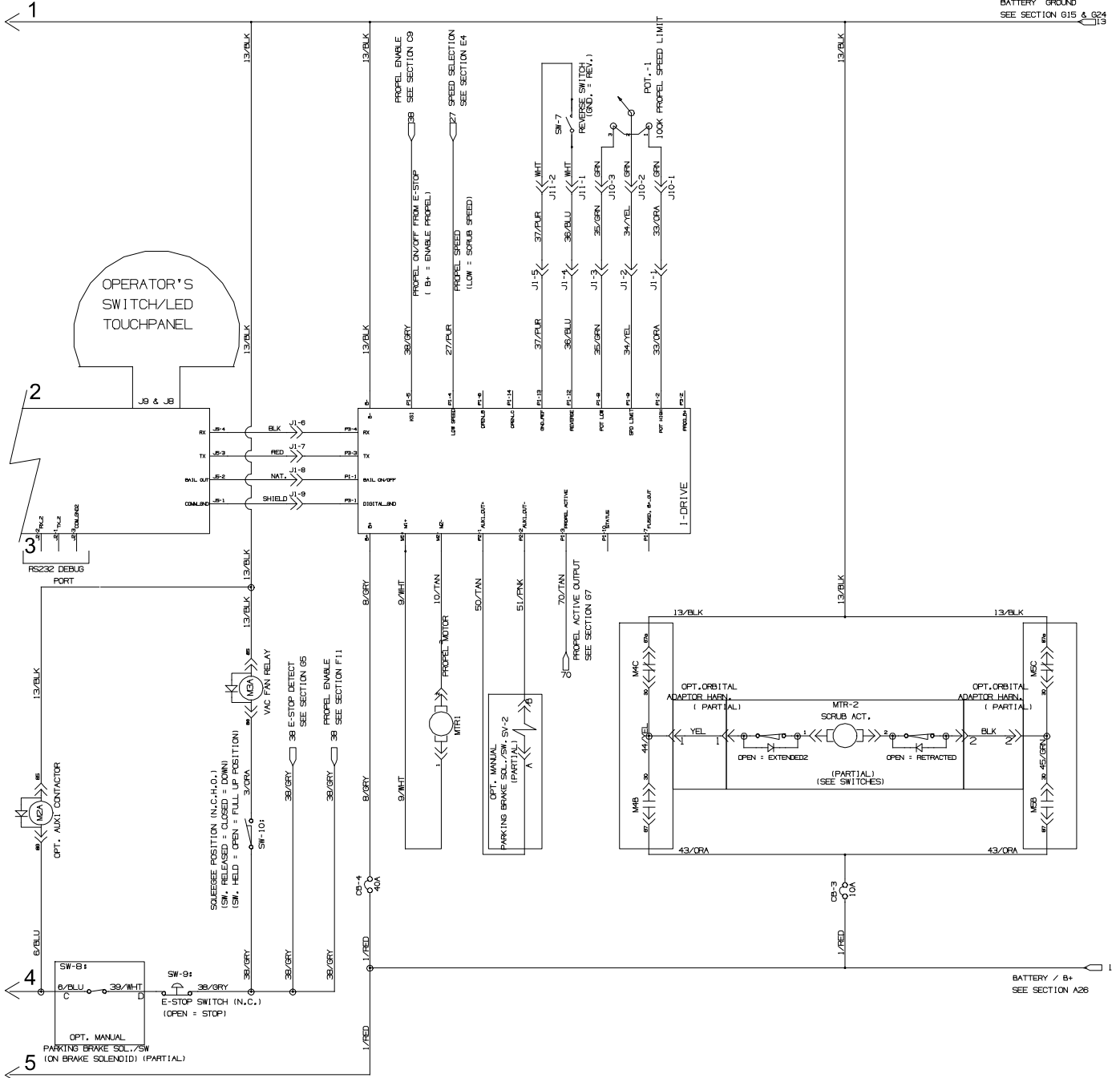
ELECTRICAL DIAGRAM T600e MODEL (PAGE 6 OF 9)

1076283_02

TPPL BATTERY DIAGRAM - Cont'd

PROPEL SYSTEM

BATTERY GROUND
SEE SECTION G15 & G24

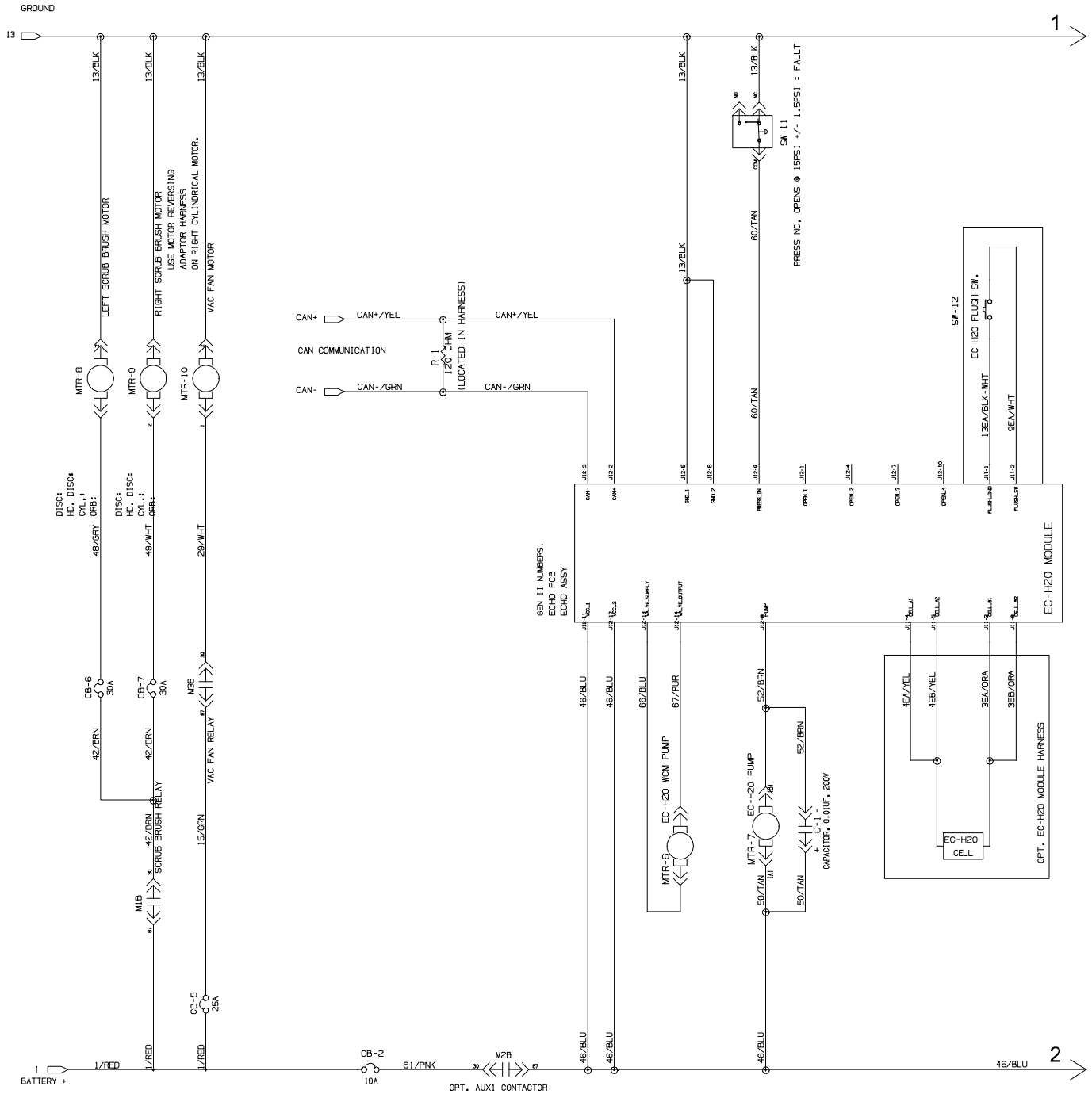


ELECTRICAL DIAGRAM T600e MODEL (PAGE 7 OF 9)

1076283_01

EC-H2O OPTION

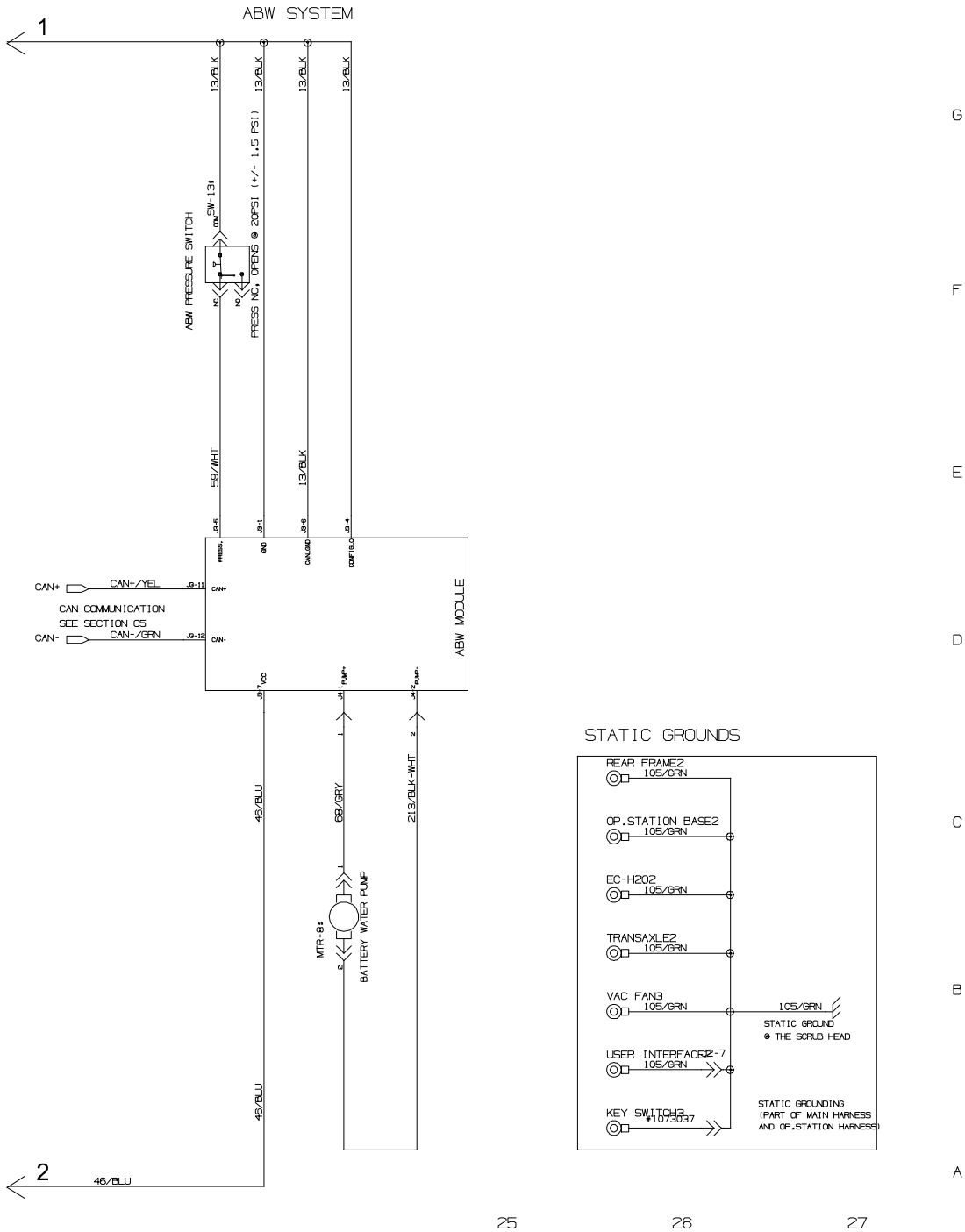
EC-H2O MODULE



ELECTRICAL DIAGRAM T600e MODEL (PAGE 8 OF 9) (S/N 11011883 -)

1076283_02

ABW OPTION



25

26

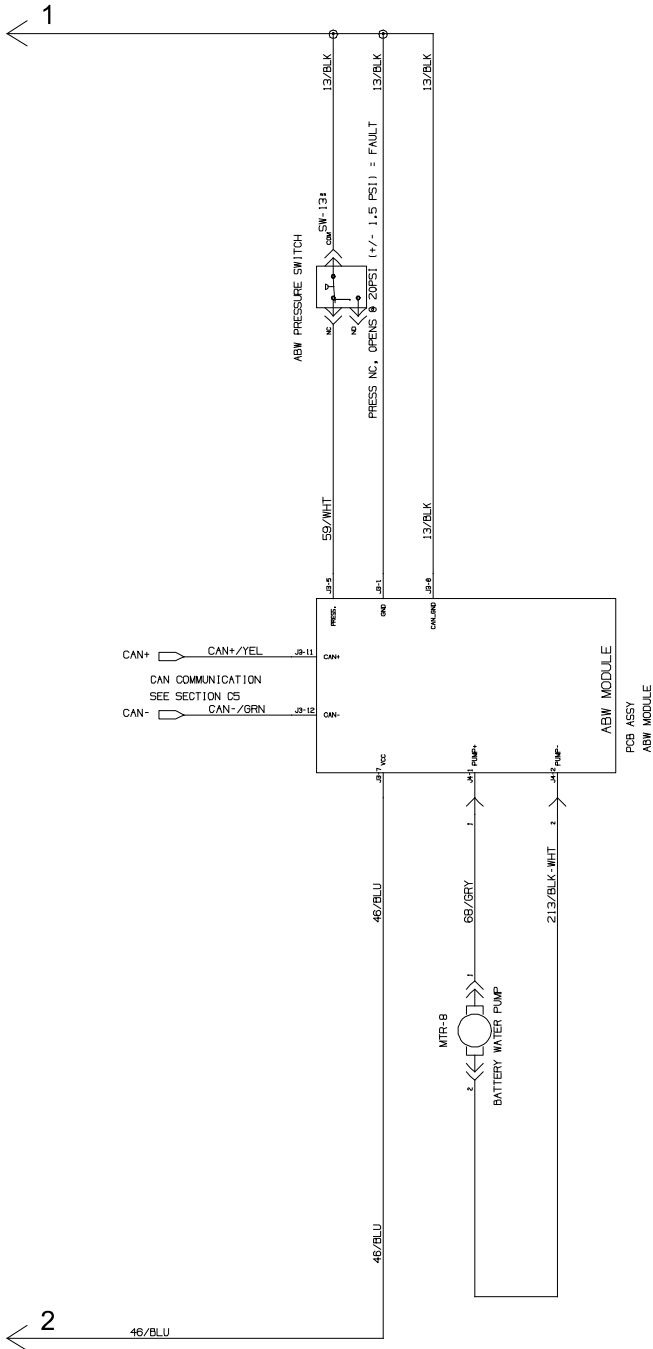
27

ELECTRICAL DIAGRAM T600e MODEL (PAGE 9 OF 9) (S/N 1000000 - 11011882)

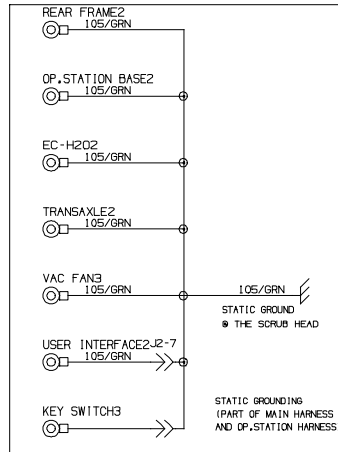
1076283_01

ABW OPTION

ABW SYSTEM



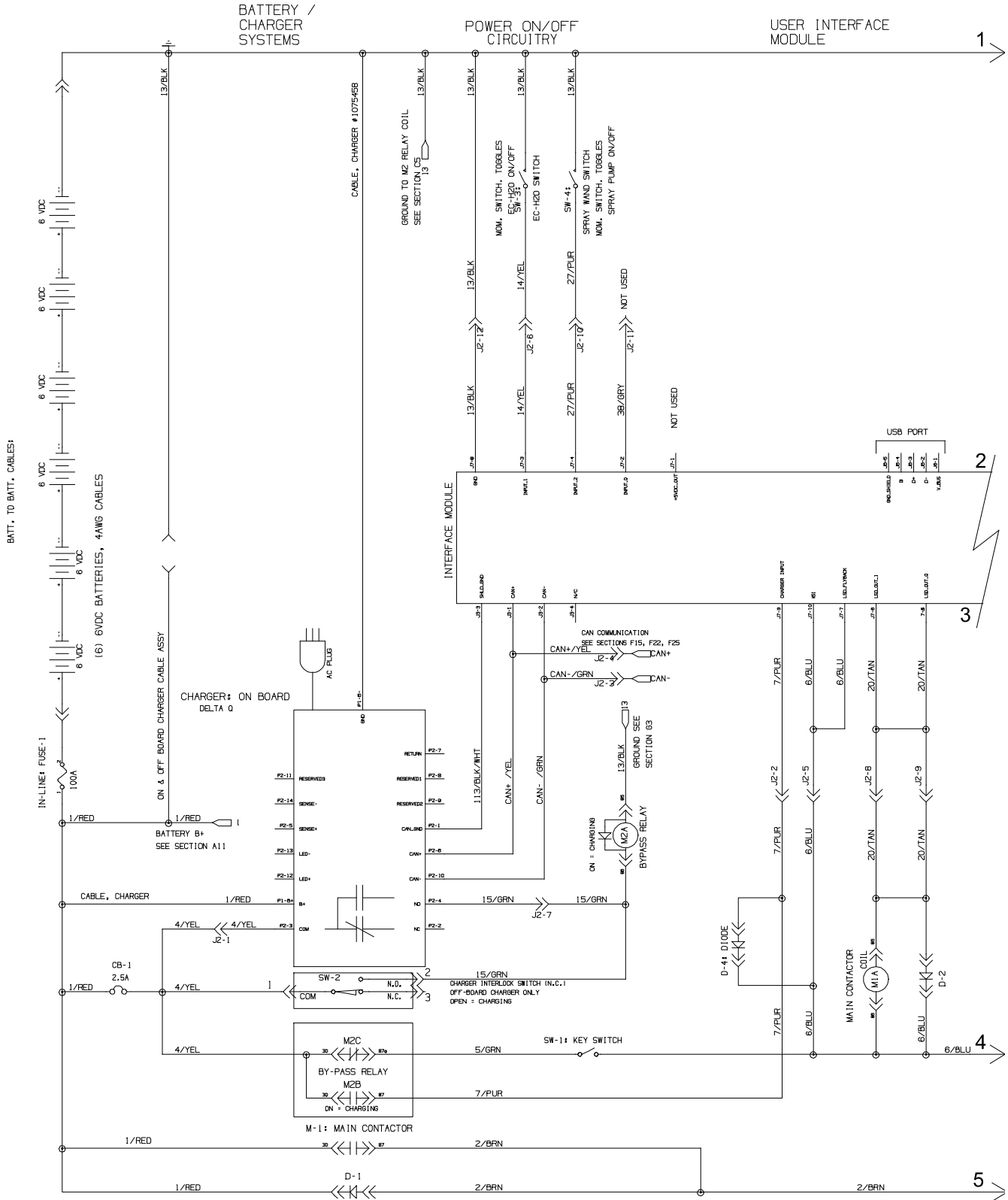
STATIC GROUNDS



ELECTRICAL DIAGRAM T600 MODEL (PAGE 1 OF 10)

WET LEAD ACID BATTERY DIAGRAM

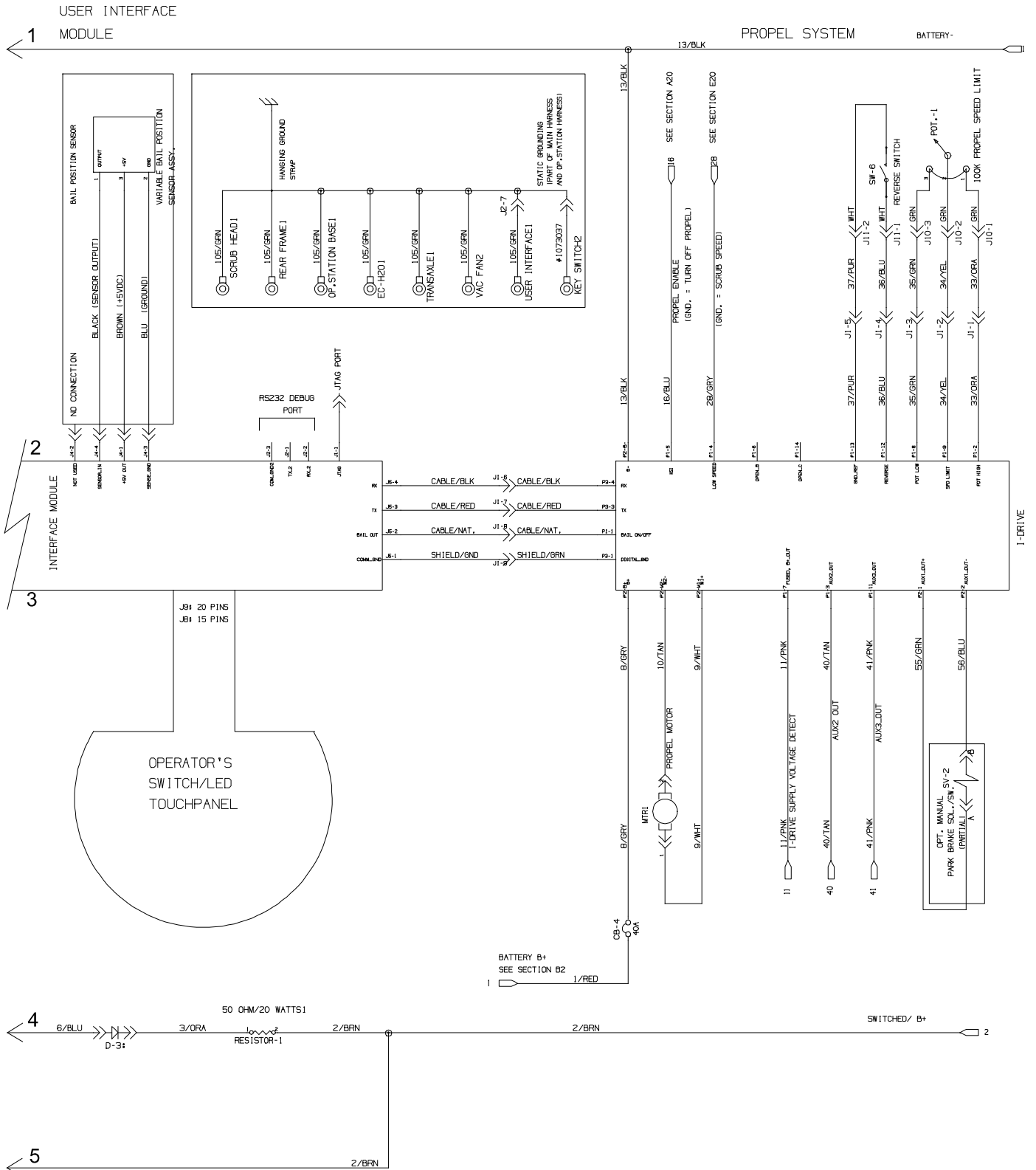
1076325_01



ELECTRICAL DIAGRAM T600 MODEL (PAGE 2 OF 10)

WET LEAD ACID BATTERY DIAGRAM - Cont'd

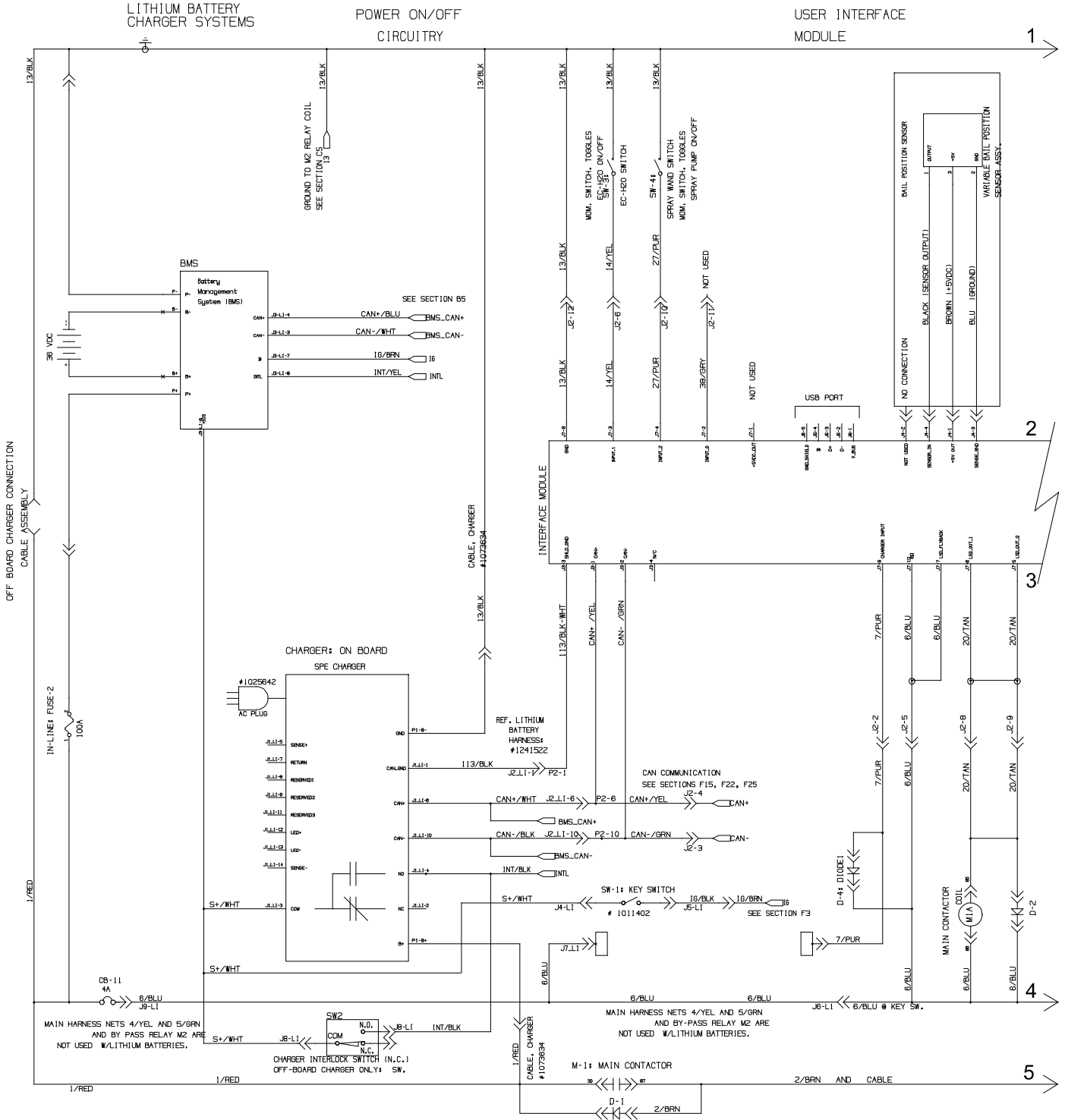
1076325_01



ELECTRICAL DIAGRAM T600 MODEL (PAGE 3 OF 10)

LITHIUM ION BATTERY DIAGRAM

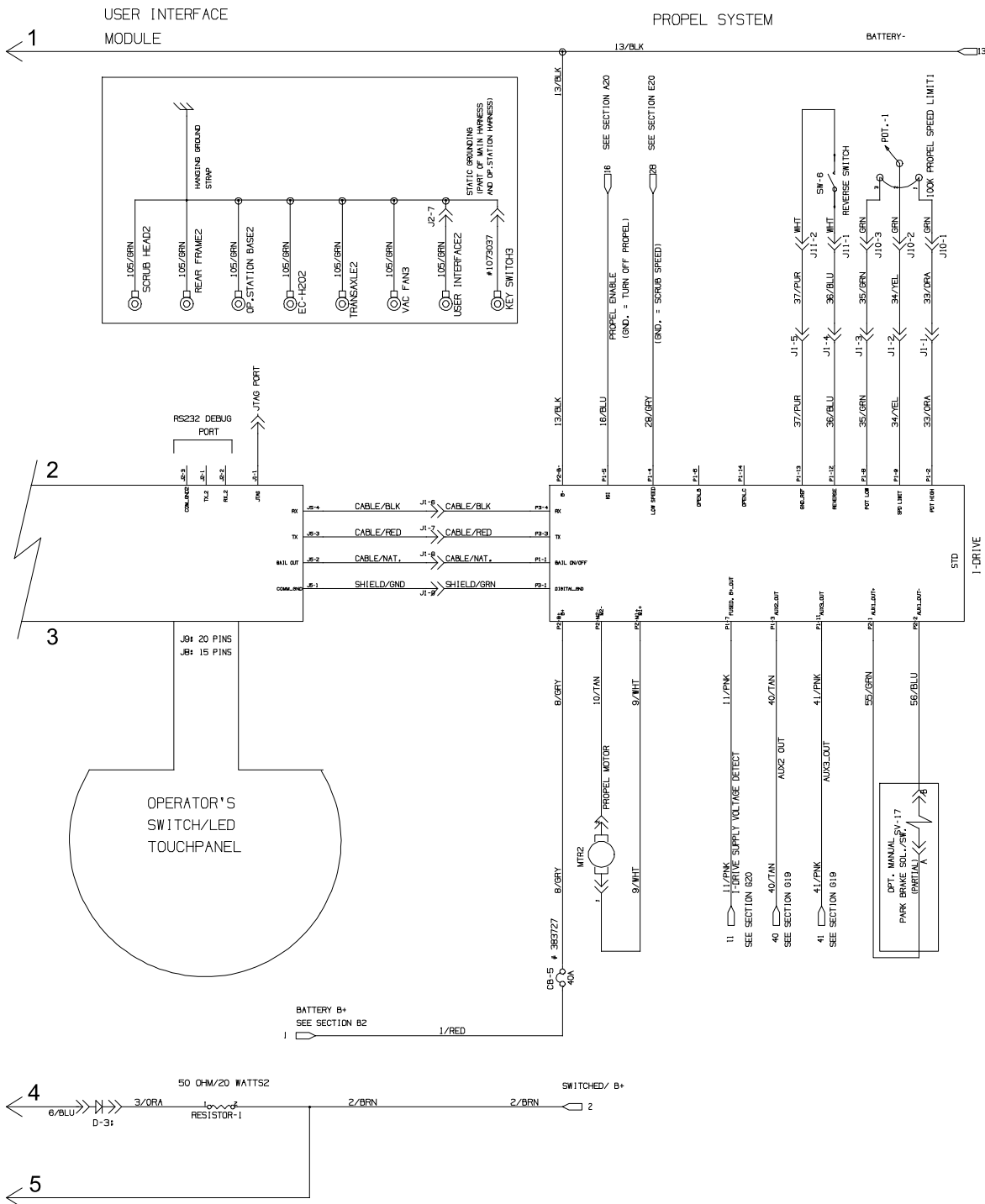
1076325_01



ELECTRICAL DIAGRAM T600 MODEL (PAGE 4 OF 10)

1076325_01

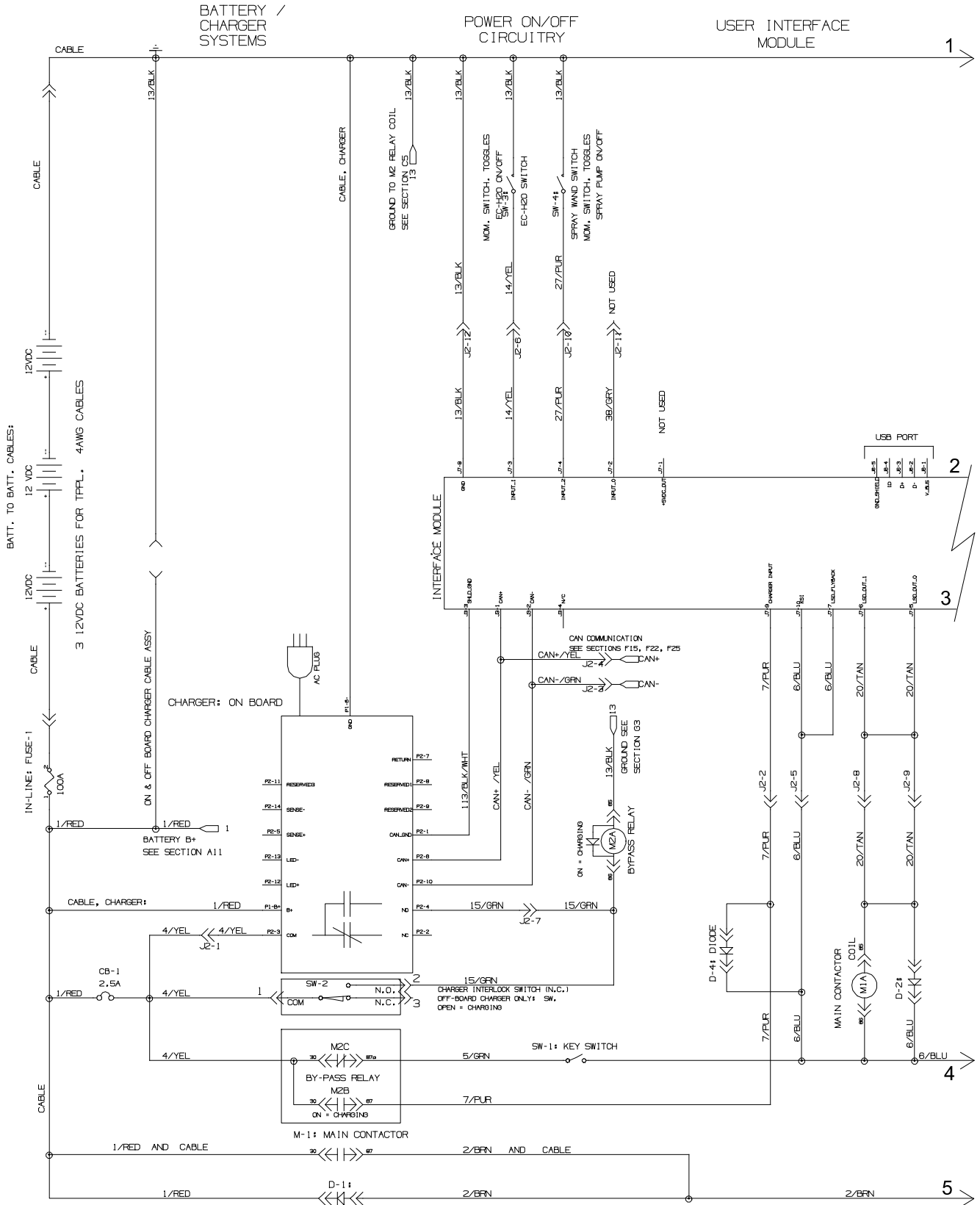
LITHIUM ION BATTERY DIAGRAM - Cont'd



ELECTRICAL DIAGRAM T600 MODEL (PAGE 5 OF 10)

1076325_02

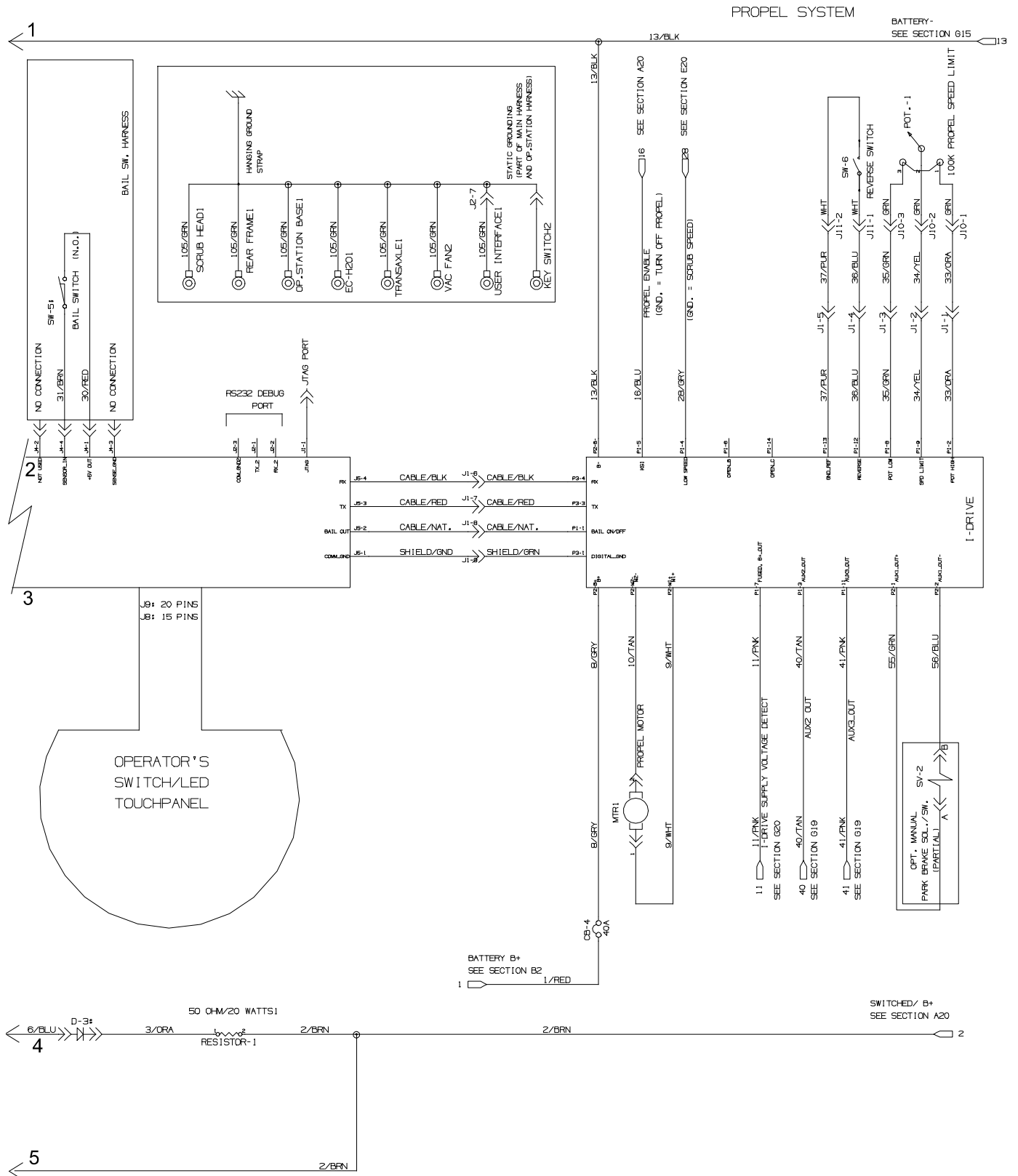
TPPL BATTERY DIAGRAM



ELECTRICAL DIAGRAM T600 MODEL (PAGE 6 OF 10)

1076325_02

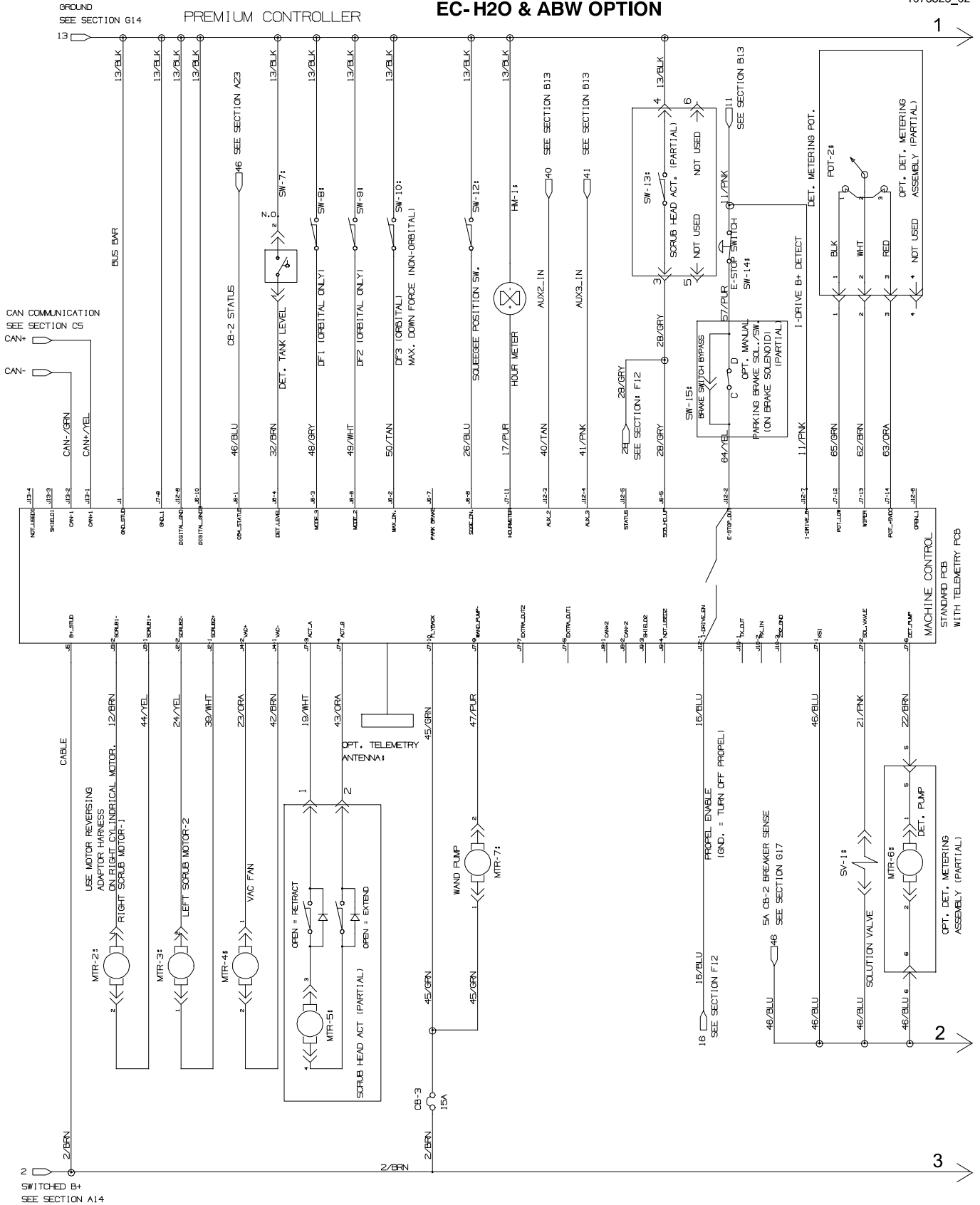
TPPL BATTERY DIAGRAM - Cont'd



ELECTRICAL DIAGRAM T600 MODEL (PAGE 7 OF 10) (S/N 11011872 -)

1076325_02

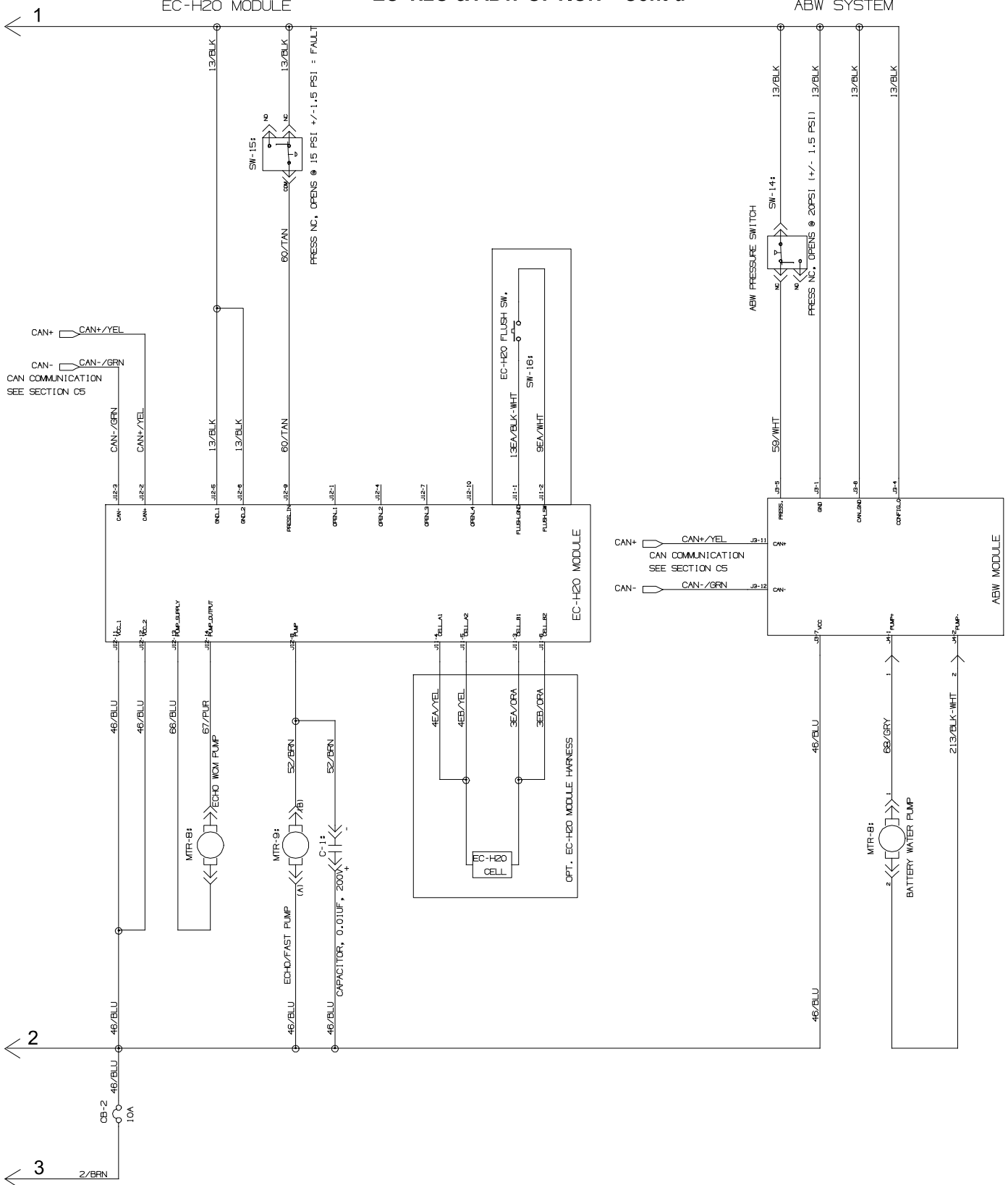
EC-H2O & ABW OPTION



ELECTRICAL DIAGRAM T600 MODEL (PAGE 8 OF 10) (S/N 11011872 -)

1076325_02

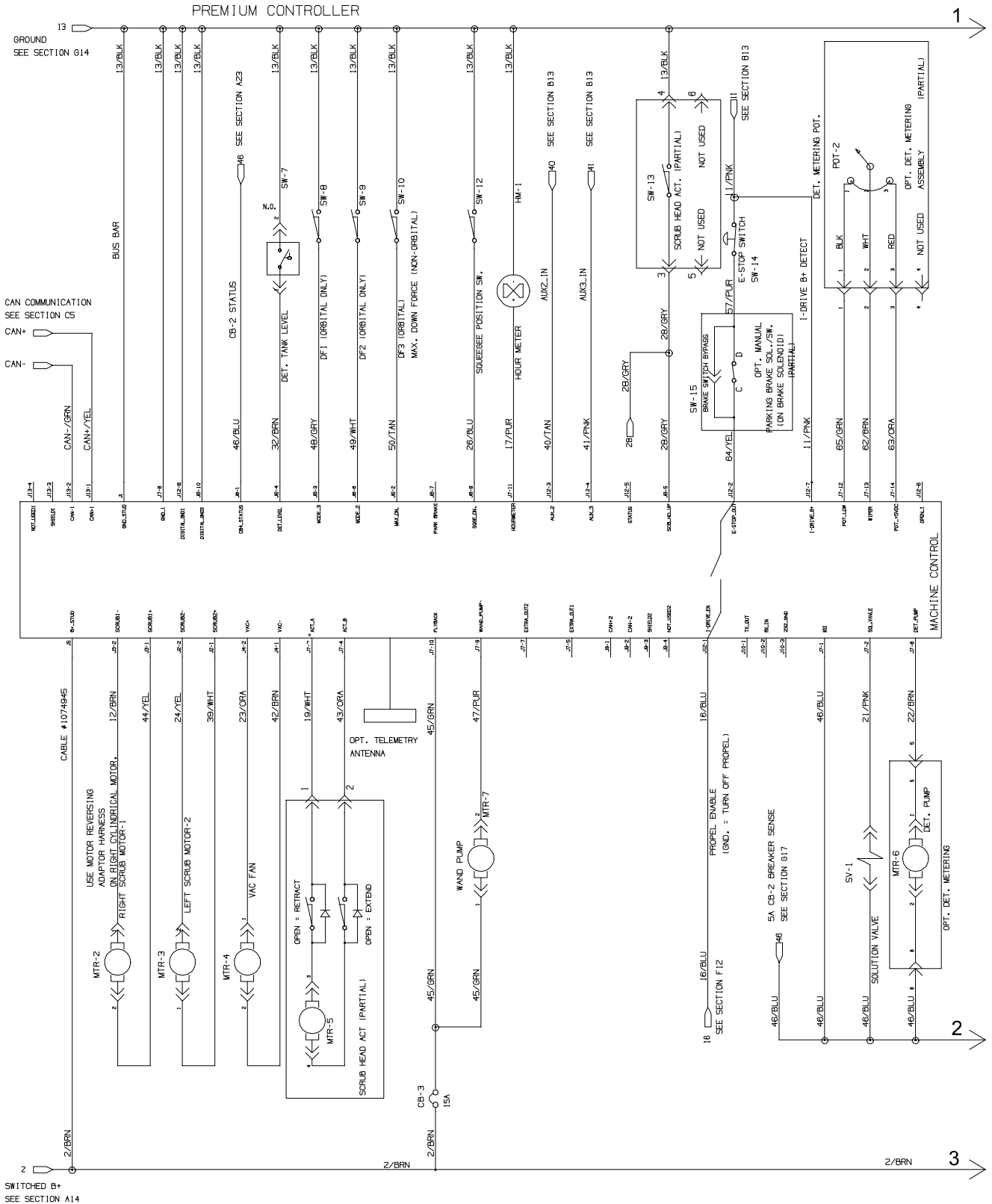
EC-H2O & ABW OPTION - Cont'd



ELECTRICAL DIAGRAM T600 MODEL (PAGE 9 OF 10) (S/N 1000000 - 11011871)

1076325_01

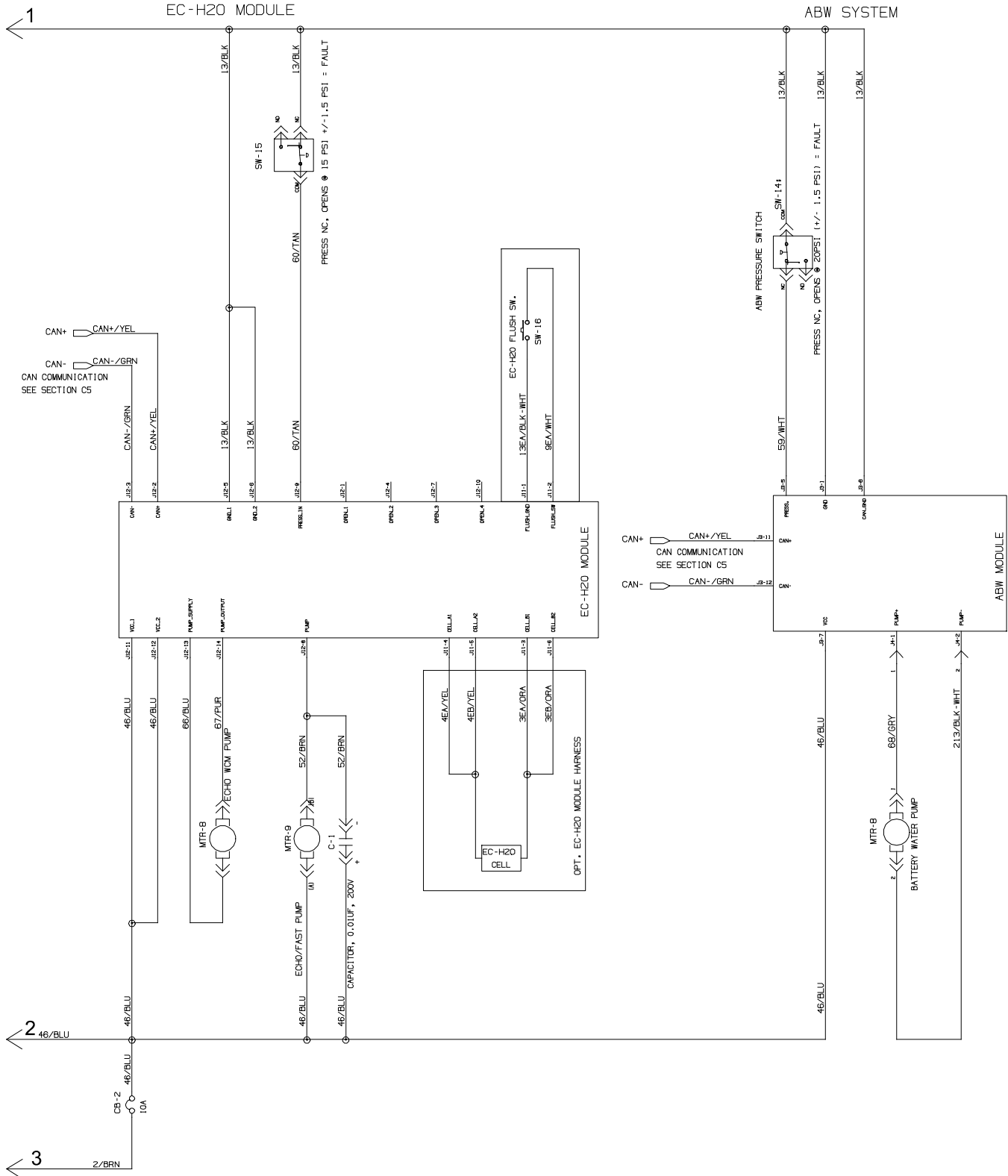
EC-H2O & ABW OPTION



ELECTRICAL DIAGRAM T600 MODEL (PAGE 10 OF 10) (S/N 1000000 - 11011871)

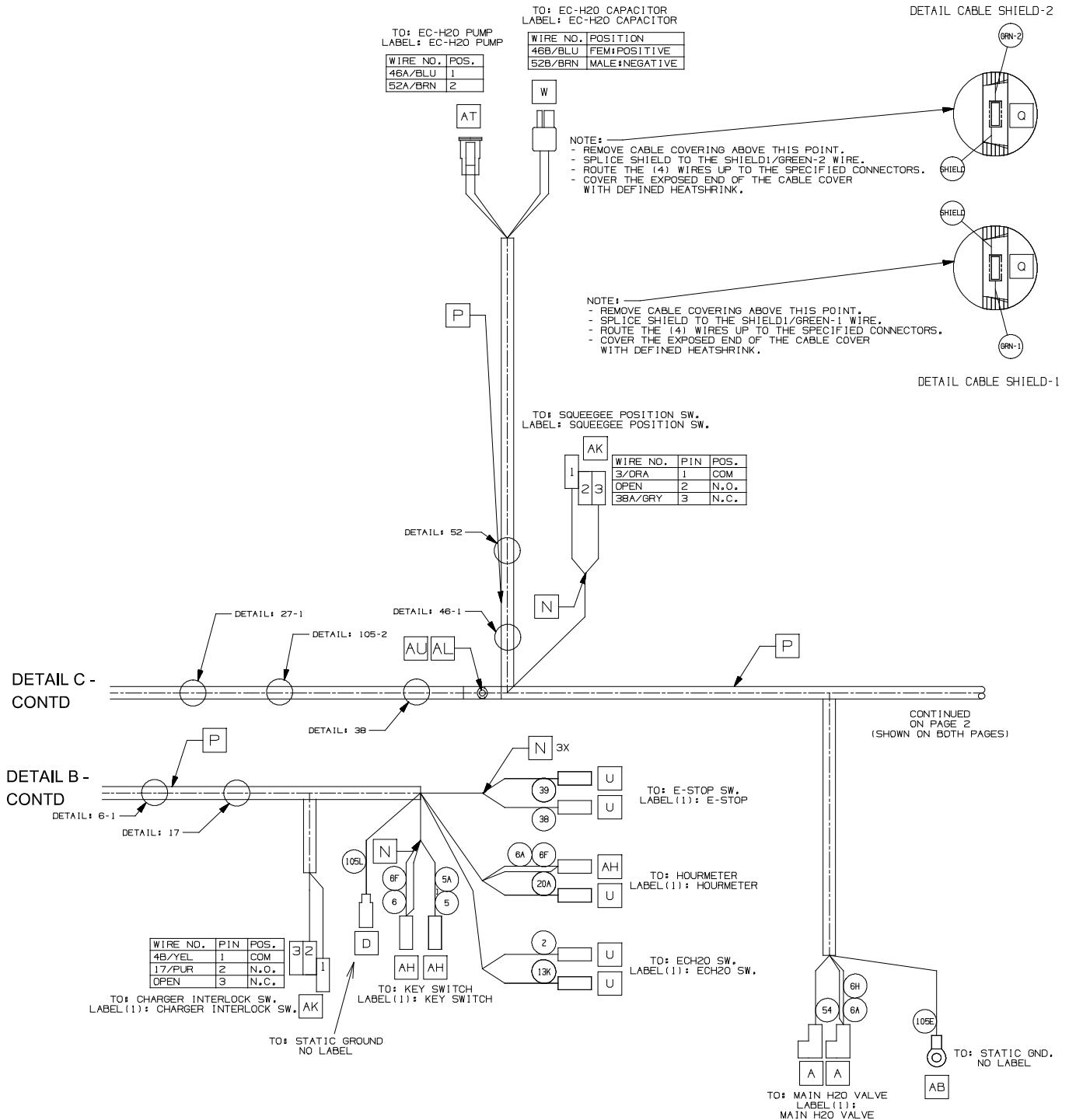
1076325_01

EC-H2O & ABW OPTION - Cont'd



ELECTRICAL HARNESS, MAIN T600e MODEL (PAGE 2 OF 5) (S/N 11011883 -)

1076907_00

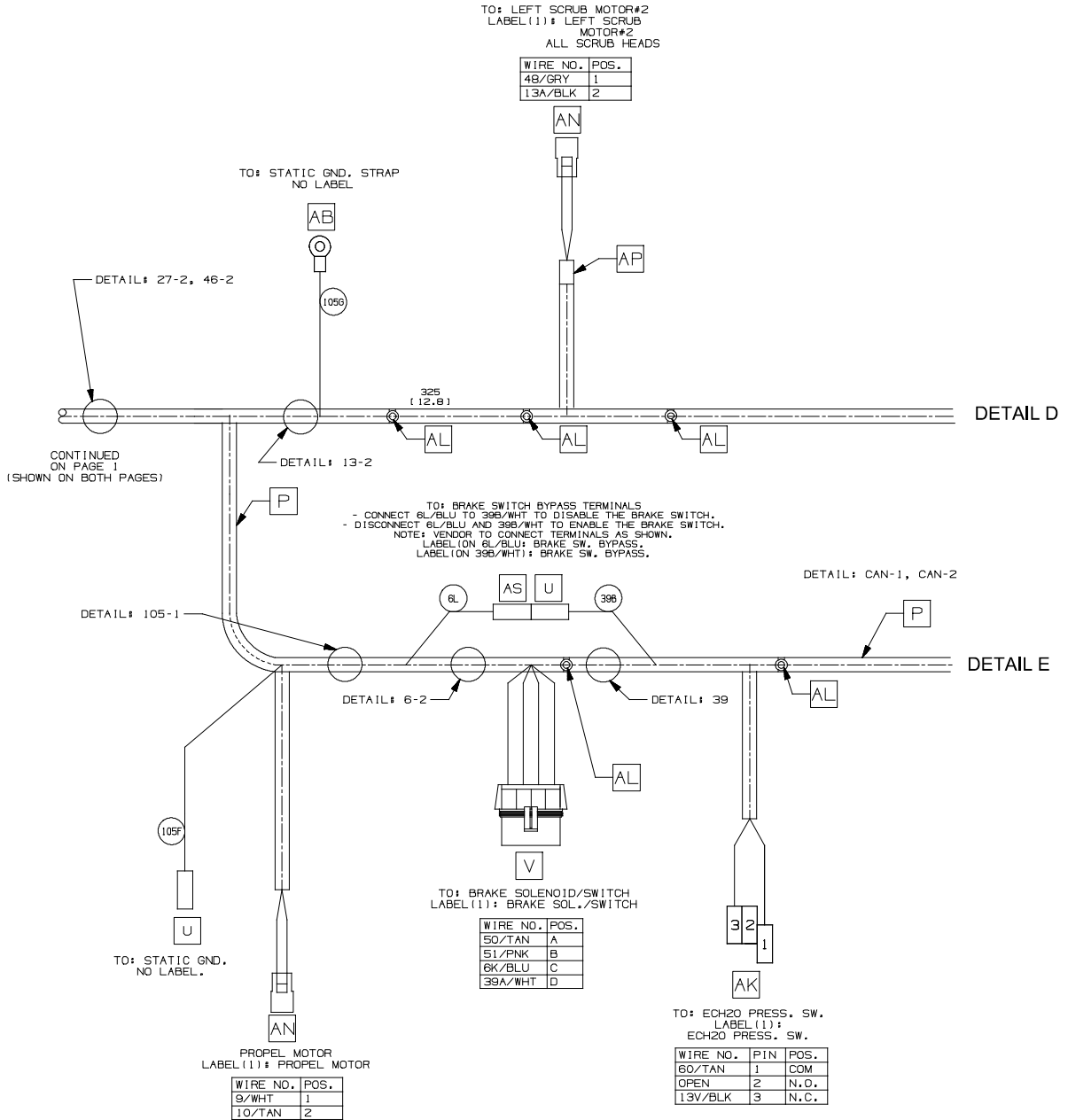


STANDARD PARTS

ELECTRICAL HARNESS, MAIN T600e MODEL (PAGE 3 OF 5) (S/N 11011883 -)

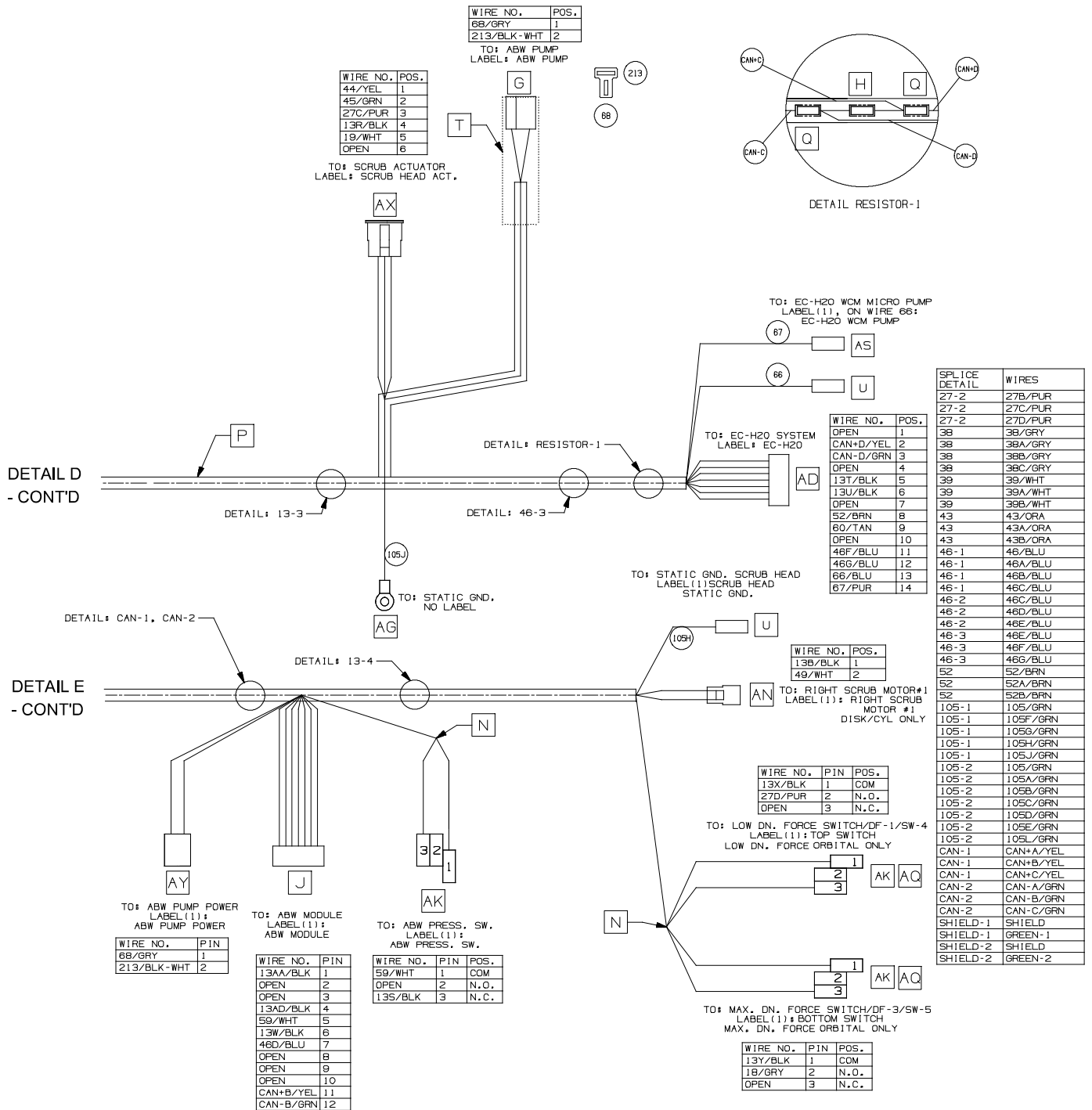
1076907_00

SPLICE DETAIL	WIRES
1	1B/RED
1	1C/RED
1	1D/RED
1	1E/RED
1	1G/RED
4	4/YEL
4	4A/YEL
4	4B/YEL
4	4C/YEL
6-1	6/BLU
6-1	6B/BLU
6-1	6C/BLU
6-1	6D/BLU
6-1	6E/BLU
6-1	6F/BLU
6-2	6H/BLU
6-2	6K/BLU
6-2	6L/BLU
13-1	13D/BLK
13-1	13F/BLK
13-1	13G/BLK
13-1	13H/BLK
13-1	13J/BLK
13-1	13AB/BLK
13-2	13L/BLK
13-2	13M/BLK
13-2	13N/BLK
13-3	13M/BLK
13-3	13R/BLK
13-3	13T/BLK
13-3	13U/BLK
13-4	13N/BLK
13-4	13V/BLK
13-4	13W/BLK
13-4	13X/BLK
13-4	13Y/BLK
13-4	13AA/BLK
13-4	13S/BLK
13-4	13AD/BLK
13-5	13AC/BLK
13-5	13K/BLK
13-5	13E/BLK
17	17/PUR
17	17A/PUR
17	17B/PUR
27-1	27/PUR
27-1	27A/PUR
27-1	27B/PUR



ELECTRICAL HARNESS, MAIN T600e MODEL (PAGE 4 OF 5) (S/N 11011883 -)

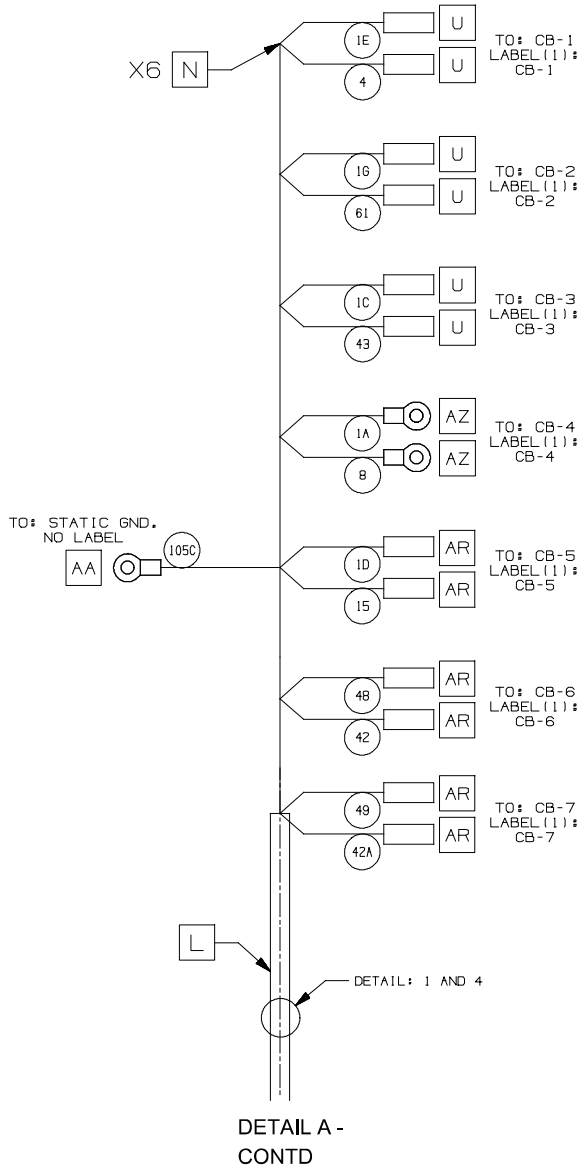
1076907_00



STANDARD PARTS

ELECTRICAL HARNESS, MAIN T600e MODEL (PAGE 5 OF 5) (S/N 11011883 -)

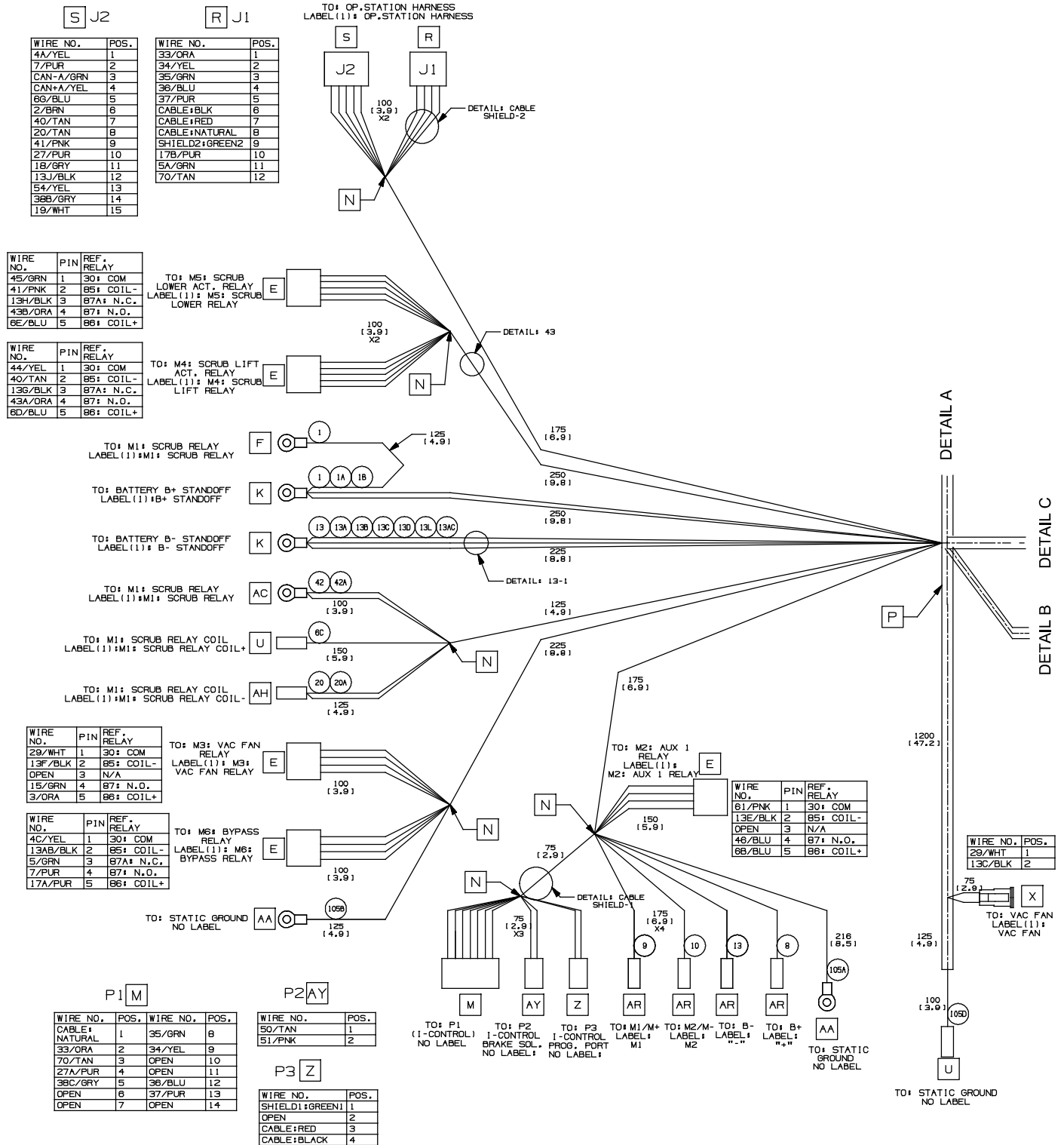
1076907_00



Part No.	Serial Number	Description	Qty.
1076907	(11011883- 20000000)	Harness, Main, Ele [T600e]	1

ELECTRICAL HARNESS, MAIN T600e MODEL (PAGE 1 OF 5) (S/N 1000000 - 11011882)

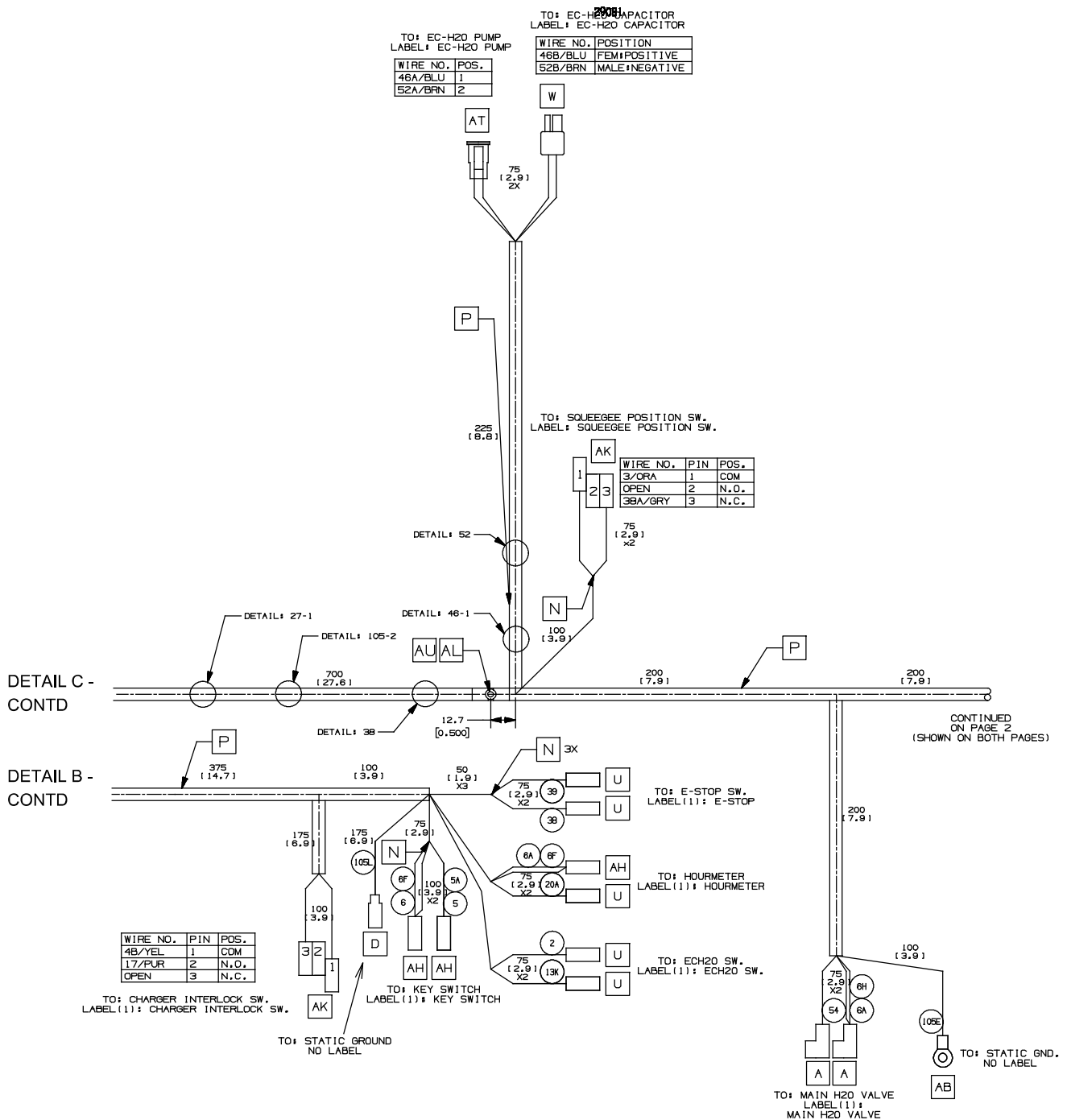
1075507_03



STANDARD PARTS

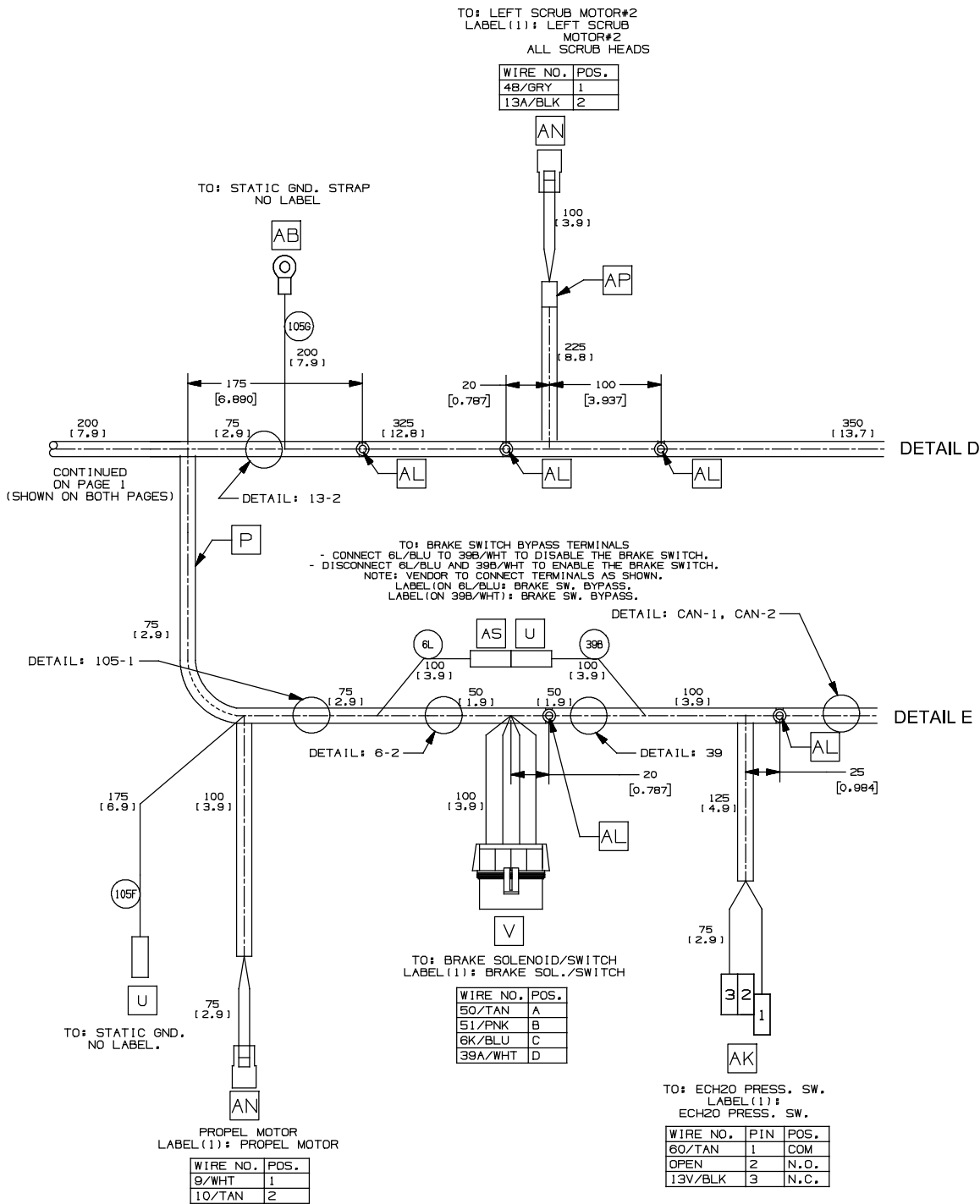
ELECTRICAL HARNESS, MAIN T600e MODEL (PAGE 2 OF 5) (S/N 1000000 - 11011882)

1075507_03



ELECTRICAL HARNESS, MAIN T600e MODEL (PAGE 3 OF 5) (S/N 1000000 - 11011882)

1075507_03

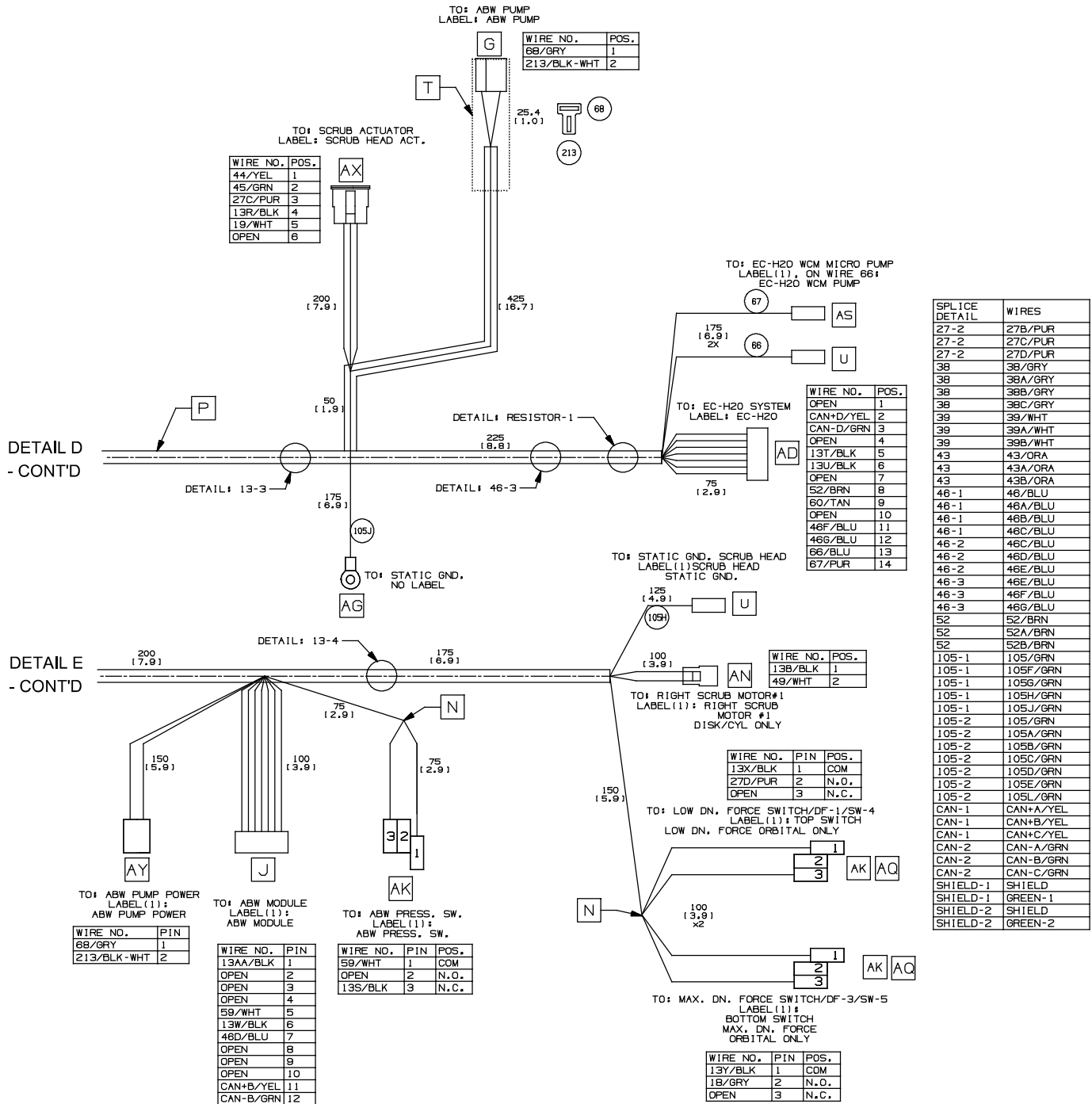


SPLICE DETAIL	WIRES
1	1B/RED
1	1C/RED
1	1D/RED
1	1E/RED
1	1G/RED
4	4/YEL
4	4A/YEL
4	4B/YEL
4	4C/YEL
6-1	6/BLU
6-1	6B/BLU
6-1	6C/BLU
6-1	6D/BLU
6-1	6E/BLU
6-1	6G/BLU
6-2	6H/BLU
6-2	6K/BLU
6-2	6L/BLU
13-1	13D/BLK
13-1	13F/BLK
13-1	13G/BLK
13-1	13H/BLK
13-1	13J/BLK
13-1	13AB/BLK
13-2	13L/BLK
13-2	13M/BLK
13-2	13N/BLK
13-3	13M/BLK
13-3	13R/BLK
13-3	13S/BLK
13-3	13T/BLK
13-3	13U/BLK
13-4	13V/BLK
13-4	13W/BLK
13-4	13X/BLK
13-4	13Y/BLK
13-4	13AA/BLK
13-4	13S/BLK
13-5	13AC/BLK
13-5	13K/BLK
13-5	13E/BLK
17	17/PUR
17	17A/PUR
17	17B/PUR
27-1	27/PUR
27-1	27A/PUR
27-1	27B/PUR

STANDARD PARTS

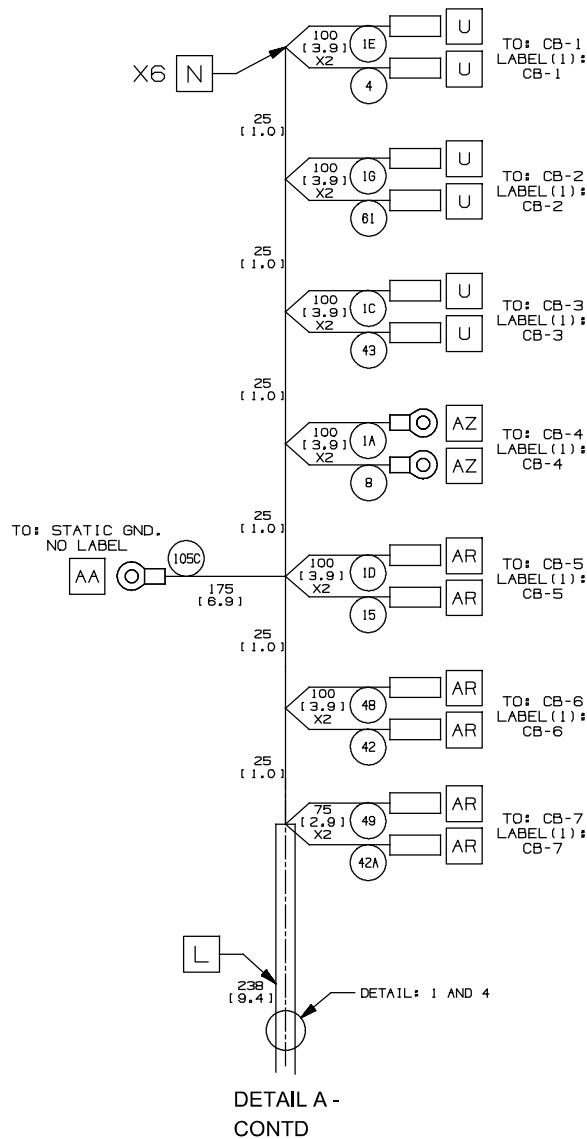
ELECTRICAL HARNESS, MAIN T600e MODEL (PAGE 4 OF 5) (S/N 1000000 - 11011882)

1075507_03



ELECTRICAL HARNESS, MAIN T600e MODEL (PAGE 5 OF 5) (S/N 10000000 - 11011882)

1075507_03

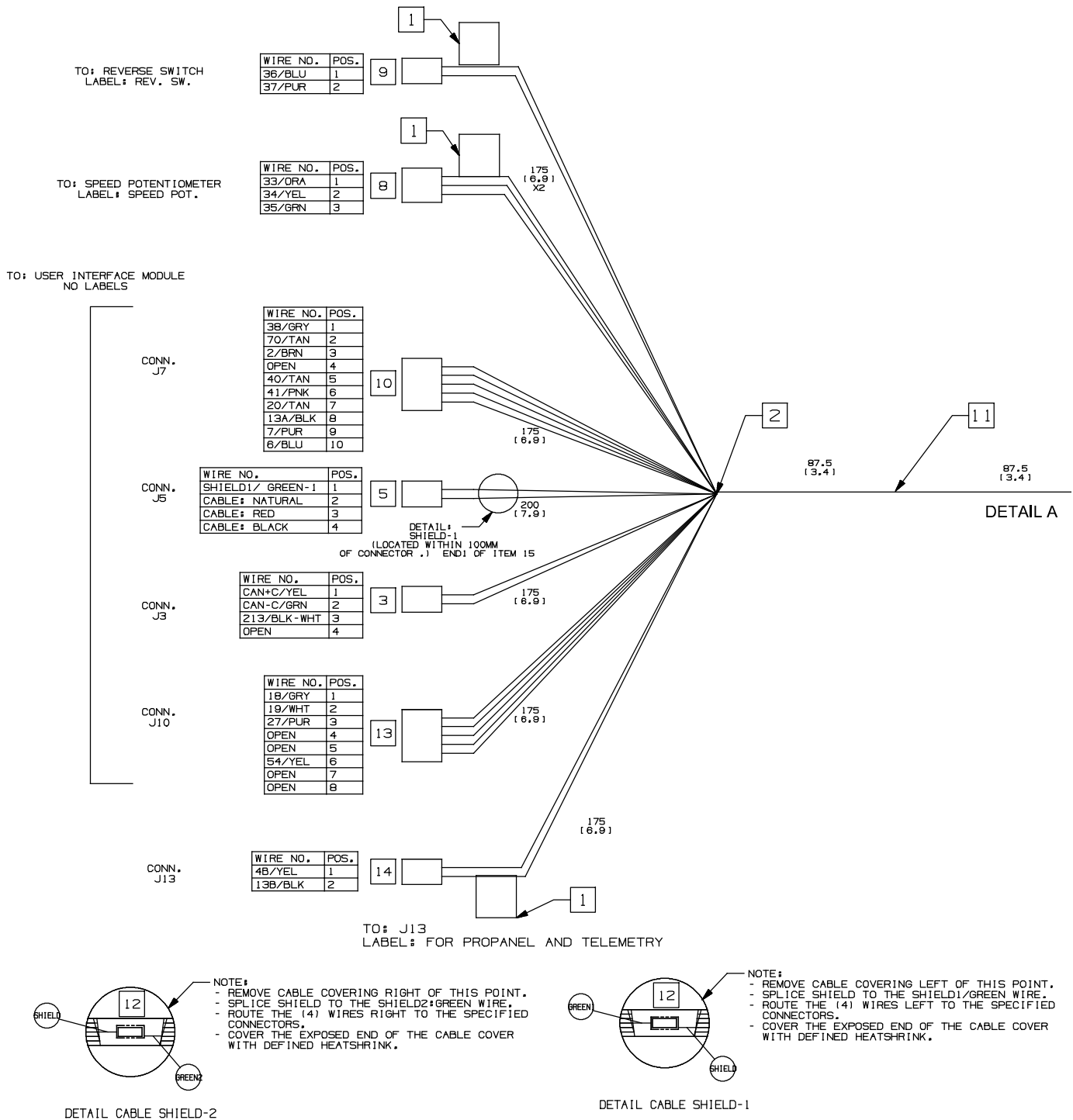


Part No.	Serial Number	Description	Qty.
1075507	(10000000- 11011882)	Harness, Main, Ele [T600e]	1

STANDARD PARTS

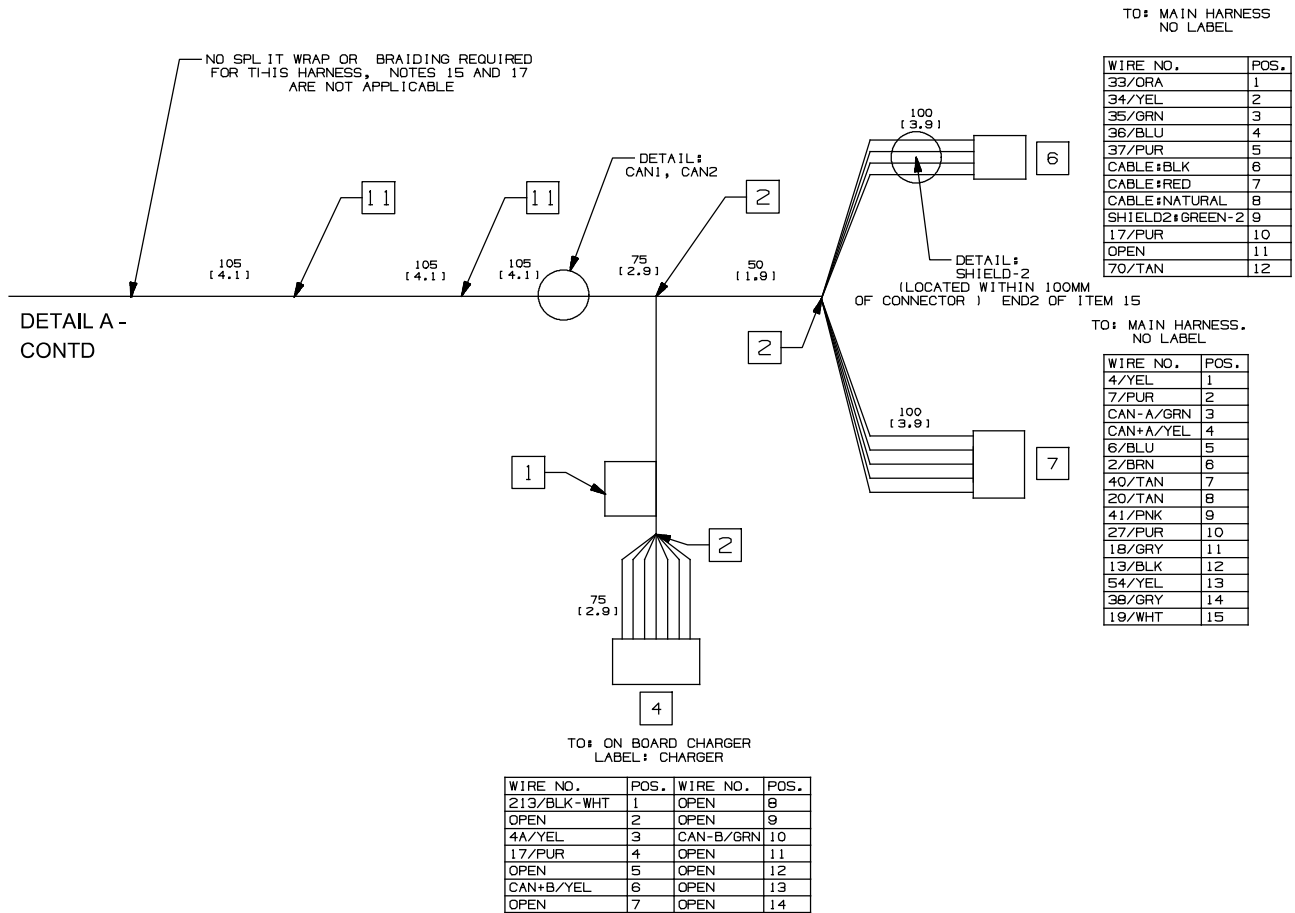
ELECTRICAL HARNESS, OPERATOR STATION T600e MODEL (S/N 11011883 -)

1077063_00



ELECTRICAL HARNESS, OPERATOR STATION T600e MODEL (S/N 11011883 -)

1077063_00

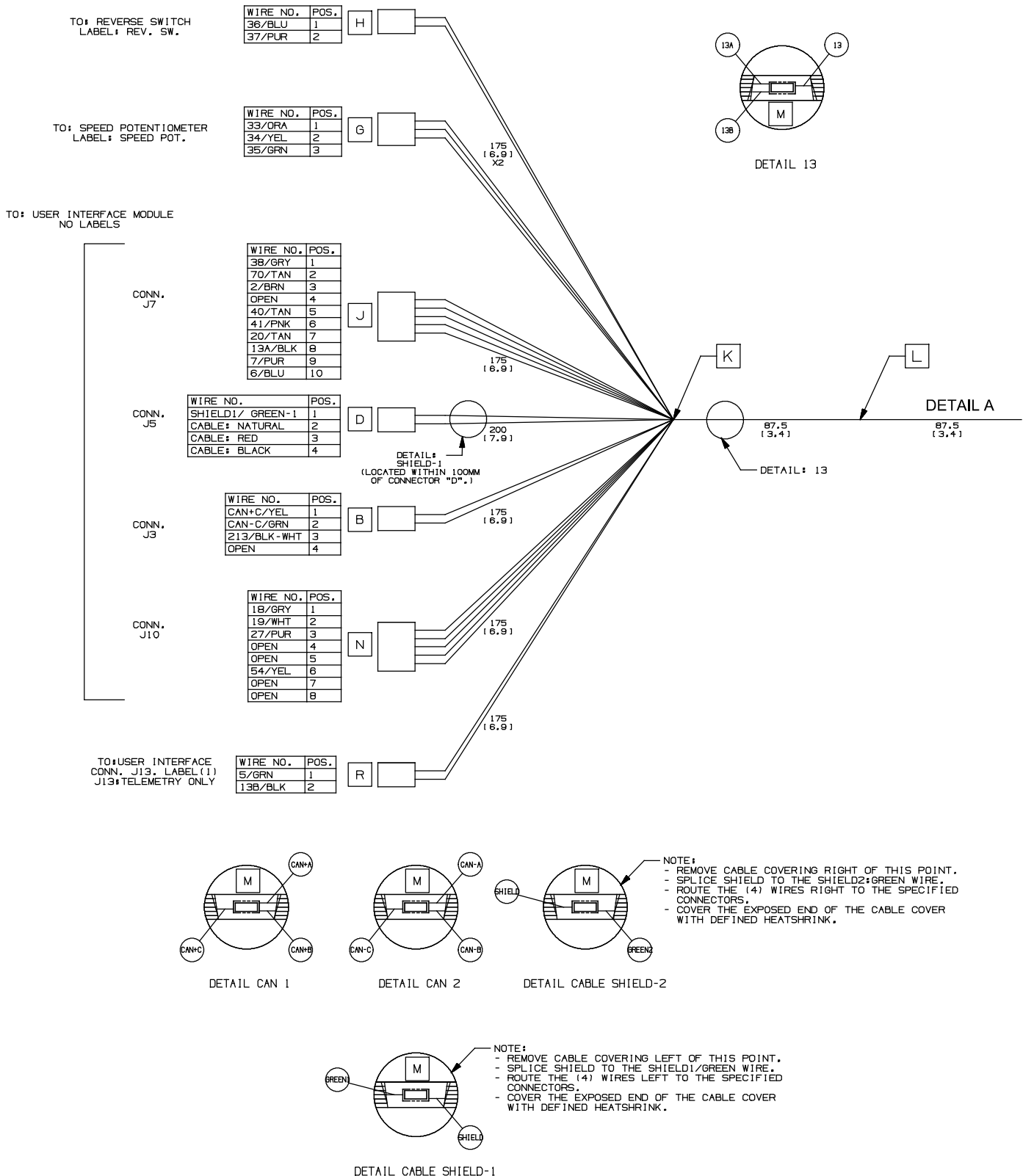


Part No.	Serial Number	Description	Qty.
1077063	(11011883- 20000000)	Harness, Ele [Op. Station, T600e]	1

STANDARD PARTS

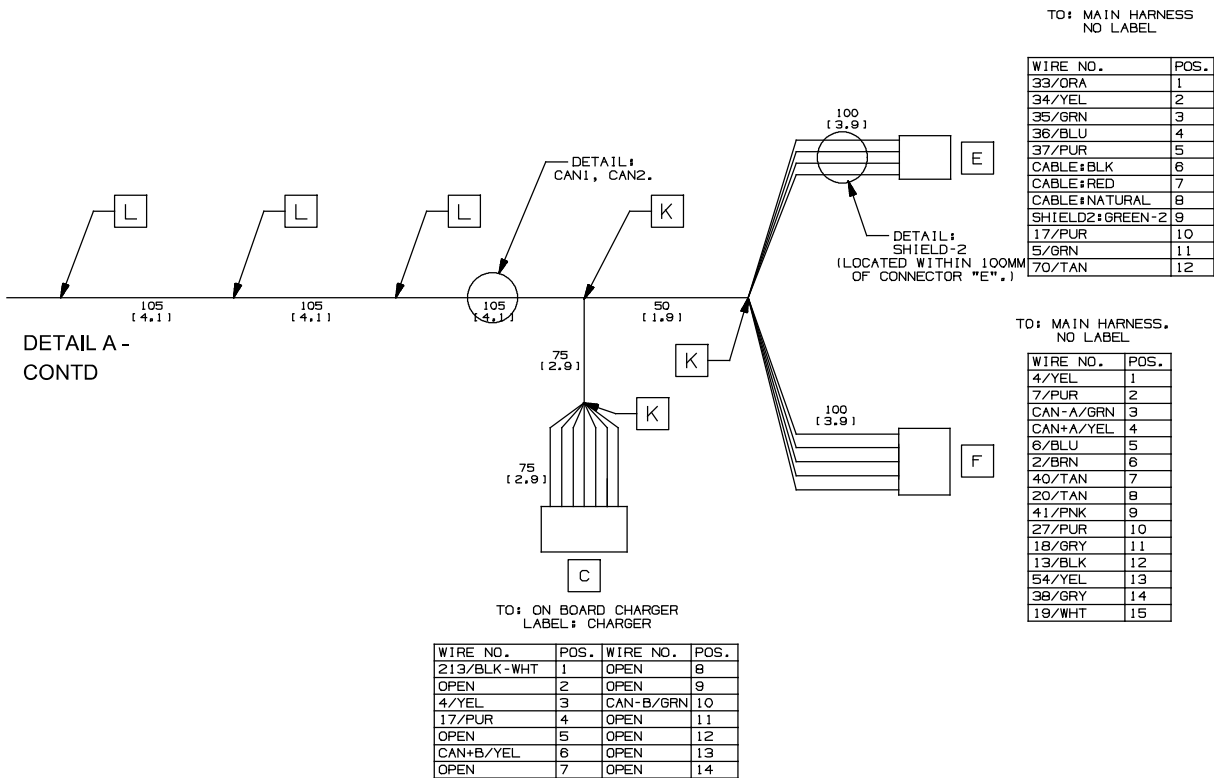
ELECTRICAL HARNESS, OPERATOR STATION T600e MODEL (S/N 1000000 - 11011882)

1075512_04



ELECTRICAL HARNESS, OPERATOR STATION T600e MODEL (S/N 10000000 - 11011882)

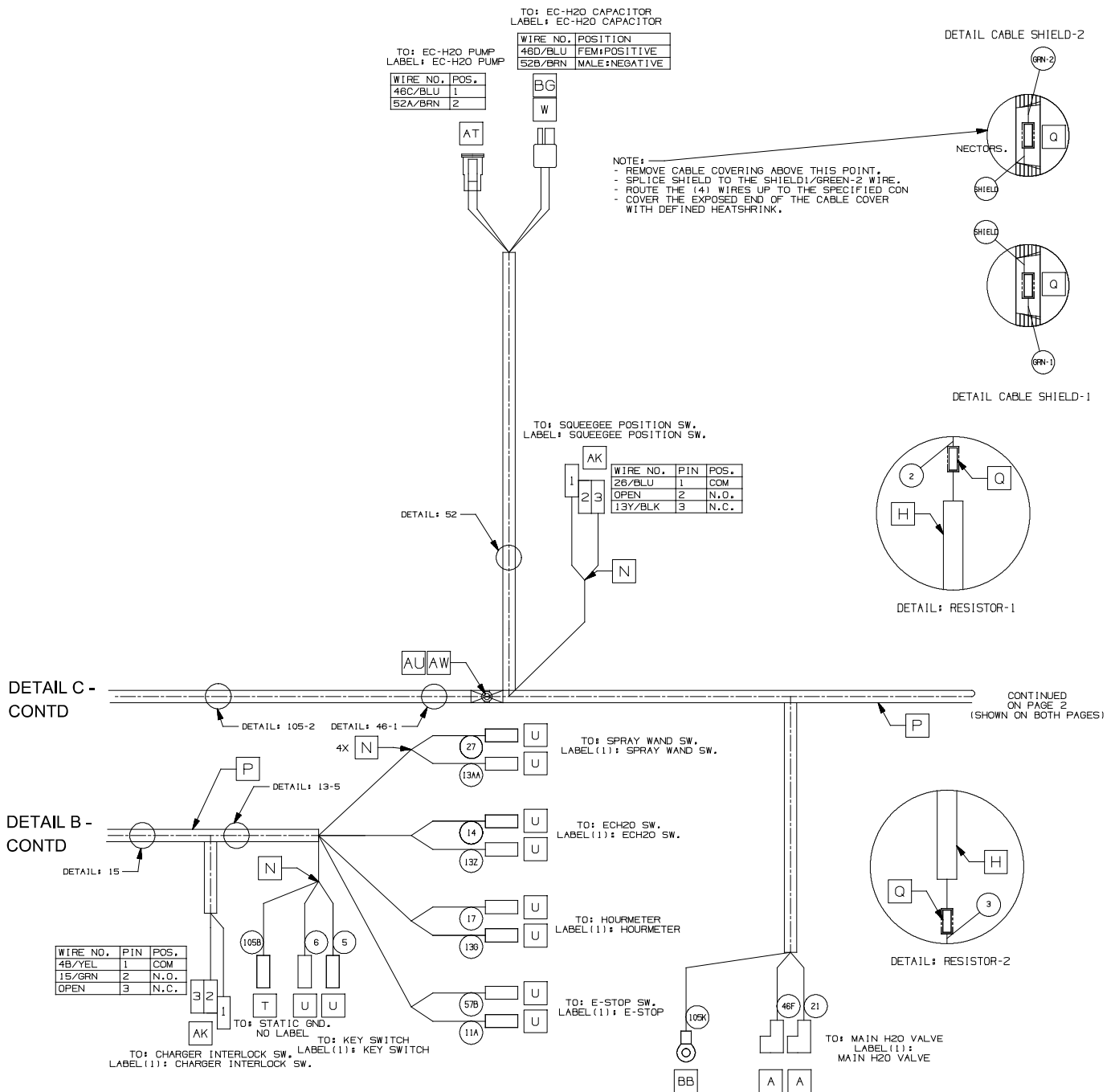
1075512_04



Part No.	Serial Number	Description	Qty.
1075512	(10000000- 11011882)	Harness, Ele [Op. Station, T600e]	1

ELECTRICAL HARNESS, MAIN T600 MODEL (PAGE 2 OF 5) (S/N 11011872 -)

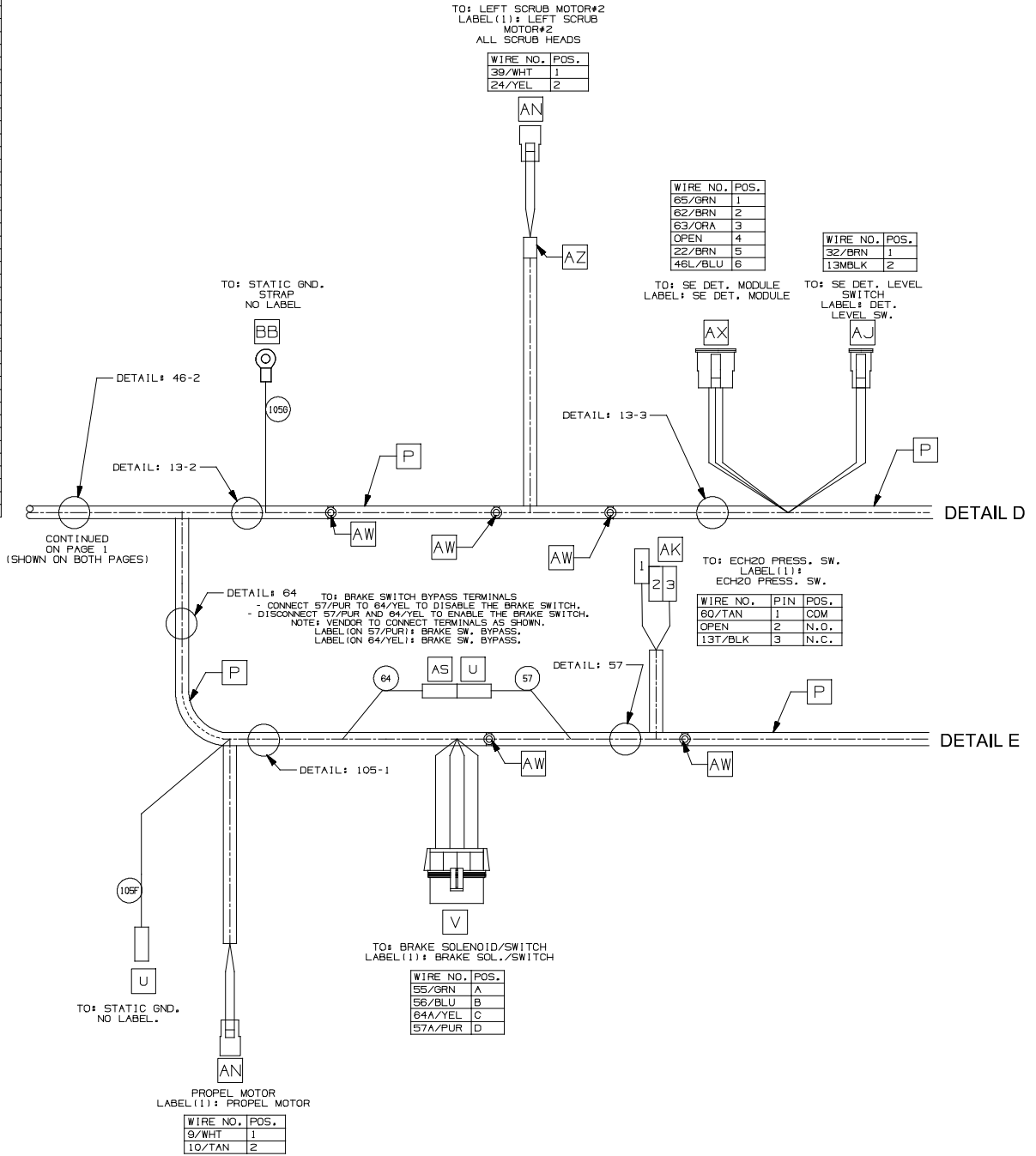
1076906_00



ELECTRICAL HARNESS, MAIN T600 MODEL (PAGE 3 OF 5) (S/N 11011872 -)

1076906_00

SPLICE DETAIL	WIRES
4	4/YEL
4	4A/YEL
4	4B/YEL
4	4C/YEL
6	6/BLU
6	6A/BLU
6	6B/BLU
6	6C/BLU
6	6D/BLU
6	6E/BLU
7	7/PUR
7	7A/PUR
7	7B/PUR
11	11/PNK
11	11A/PNK
11	11B/PNK
13-1	13A/BLK
13-1	13B/BLK
13-1	13C/BLK
13-1	13D/BLK
13-1	13E/BLK
13-1	13F/BLK
13-1	13L/BLK
13-2	13H/BLK
13-2	13J/BLK
13-2	13K/BLK
13-2	13Y/BLK
13-3	13J/BLK
13-3	13M/BLK
13-3	13N/BLK
13-3	13R/BLK
13-3	13S/BLK
13-4	13K/BLK
13-4	13P/BLK
13-4	13T/BLK
13-4	13U/BLK
13-4	13V/BLK
13-4	13W/BLK
13-4	13X/BLK
13-4	13AB/BLK
13-4	13AC/BLK
13-5	13F/BLK
13-5	13G/BLK
13-5	13Z/BLK
13-5	13AA/BLK
15	15/GRN
15	15A/GRN
15	15B/GRN
20	20/TAN
20	20A/TAN
20	20B/TAN



ELECTRICAL HARNESS, MAIN T600 MODEL (PAGE 4 OF 5) (S/N 11011872 -)

1076906_00

SPLICE DETAIL	WIRES
45	45/GRN
45	45A/GRN
45	45B/GRN
46-1	46/BLU
46-1	46A/BLU
46-1	46B/BLU
46-1	46C/BLU
46-1	46D/BLU
46-1	46E/BLU
46-1	46F/BLU
46-2	46E/BLU
46-2	46G/BLU
46-2	46H/BLU
46-3	46G/BLU
46-3	46J/BLU
46-3	46K/BLU
46-3	46L/BLU
52	52/BRN
52	52A/BRN
52	52B/BRN
57	57/PUR
57	57A/PUR
57	57B/PUR
64	64/YEL
64	64A/YEL
64	64B/YEL
105-1	105/GRN
105-1	105F/GRN
105-1	105G/GRN
105-1	105H/GRN
105-1	105J/GRN
105-2	105/GRN
105-2	105A/GRN
105-2	105B/GRN
105-2	105C/GRN
105-2	105D/GRN
105-2	105E/GRN
105-2	105K/GRN
CAN-1	CAN+A/YEL
CAN-1	CAN+B/YEL
CAN-1	CAN+C/YEL
CAN-2	CAN-A/GRN
CAN-2	CAN-B/GRN
CAN-3	CAN-C/YEL
CAN-3	CAN+D/YEL
CAN-3	CAN+E/YEL
CAN-4	CAN-C/GRN
CAN-4	CAN-D/GRN
CAN-4	CAN-E/GRN
SHIELD-1	SHIELD
SHIELD-1	GREEN-1
SHIELD-2	SHIELD
SHIELD-2	GREEN-2

20	20C/TAN
26	26/GRY
26	26A/GRY
26	26B/GRY

WIRE NO.	POS.
68/GRY	1
213/BLK-WHT	2

WIRE NO.	POS.
13/WHT	1
43/ORA	2
28B/GRY	3
13N/BLK	4
OPEN	5
OPEN	6

WIRE NO.	POS.
45B/GRN	1
47/PUR	2

TO: EC-H2O WCM MICRO PUMP
LABEL(1): ON WIRE 66:
EC-H2O WCM PUMP

WIRE NO.	POS.
OPEN	1
CAN+D/YEL	2
CAN-D/GRN	3
OPEN	4
13R/BLK	5
13S/BLK	6
OPEN	7
52/BRN	8
60/TAN	9
OPEN	10
46J/BLU	11
46K/BLU	12
66/BLU	13
67/PUR	14

WIRE NO.	PIN	POS.
48/GRY	1	COM
13X/BLK	2	N.O.
OPEN	3	N.C.

TO: DF-1 SWITCH/DF-1/SW-8
LABEL(1): TOP SWITCH
LOW DN. FORCE ORBITAL ONLY

TO: DF-2 SWITCH/DF-2/SW-9
LABEL(1): MIDDLE SWITCH
MEDIUM DN. FORCE ORBITAL ONLY

WIRE NO.	PIN	POS.
49/WHT	1	COM
13W/BLK	2	N.O.
OPEN	3	N.C.

TO: RIGHT SCRUB MOTOR#1
LABEL(1): RIGHT SCRUB
MOTOR #1
DISK/CYL ONLY

WIRE NO.	POS.
12/BRN	1
44/YEL	2

TO: STATIC GND.
SCRUB HEAD
LABEL(1): SCRUB HEAD
STATIC GND.

WIRE NO.	PIN	POS.
50/TAN	1	COM
13V/BLK	2	N.O.
OPEN	3	N.C.

TO: MAX. DN. FORCE SWITCH/DF-3/SW-10
LABEL(1):
BOTTOM SWITCH
MAX. DN. FORCE
ORBITAL & NON-ORBITAL

DETAIL D
- CONT'D

DETAIL E
- CONT'D

TO: ABW PUMP POWER
LABEL(1):
ABW PUMP POWER

WIRE NO.	PIN
68/GRY	1
213/BLK-WHT	2

TO: ABW MODULE
LABEL(1):
ABW MODULE

WIRE NO.	PIN
13AB/BLK	1
OPEN	2
OPEN	3
13AC/BLK	4
59/WHT	5
13U/BLK	6
46H/BLU	7
OPEN	8
OPEN	9
OPEN	10
CAN+B/YEL	11
CAN-B/GRN	12

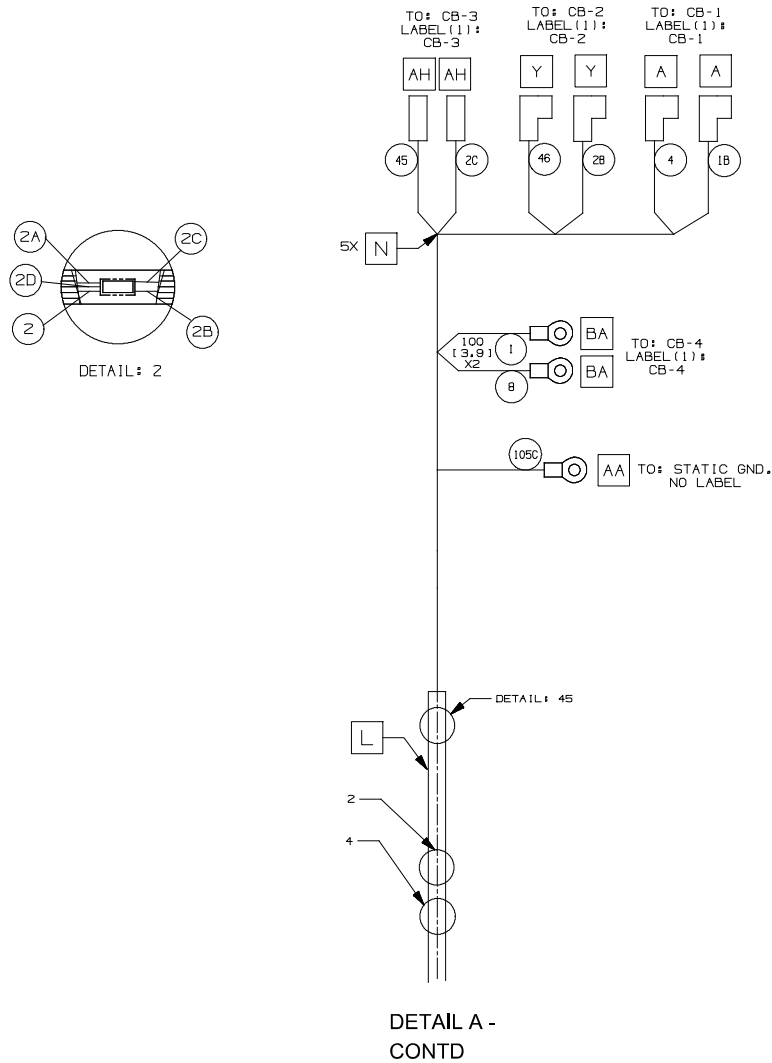
TO: ABW PRESS. SW.
LABEL(1):
ABW PRESS. SW.

WIRE NO.	PIN	POS.
59/WHT	1	COM
OPEN	2	N.O.
13P/BLK	3	N.C.

STANDARD PARTS

ELECTRICAL HARNESS, MAIN T600 MODEL (PAGE 5 OF 5) (S/N 11011872 -)

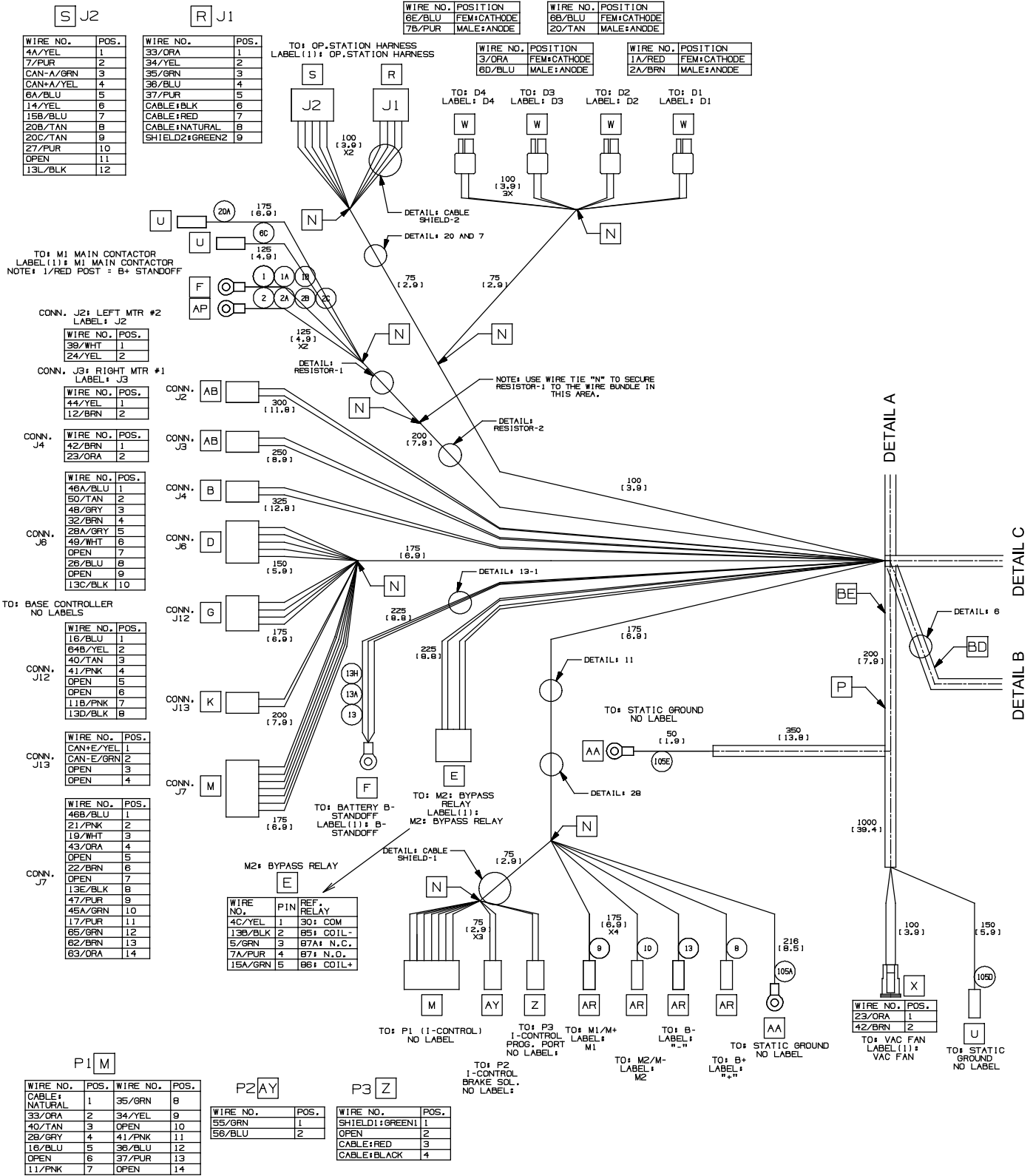
1076906_00



Part No.	Serial Number	Description	Qty.
1076906	(11011872- 20000000)	Harness, Main, Ele [T600]	1
222290	(10000000- 20000000)	Diode, Ele, Plug	4

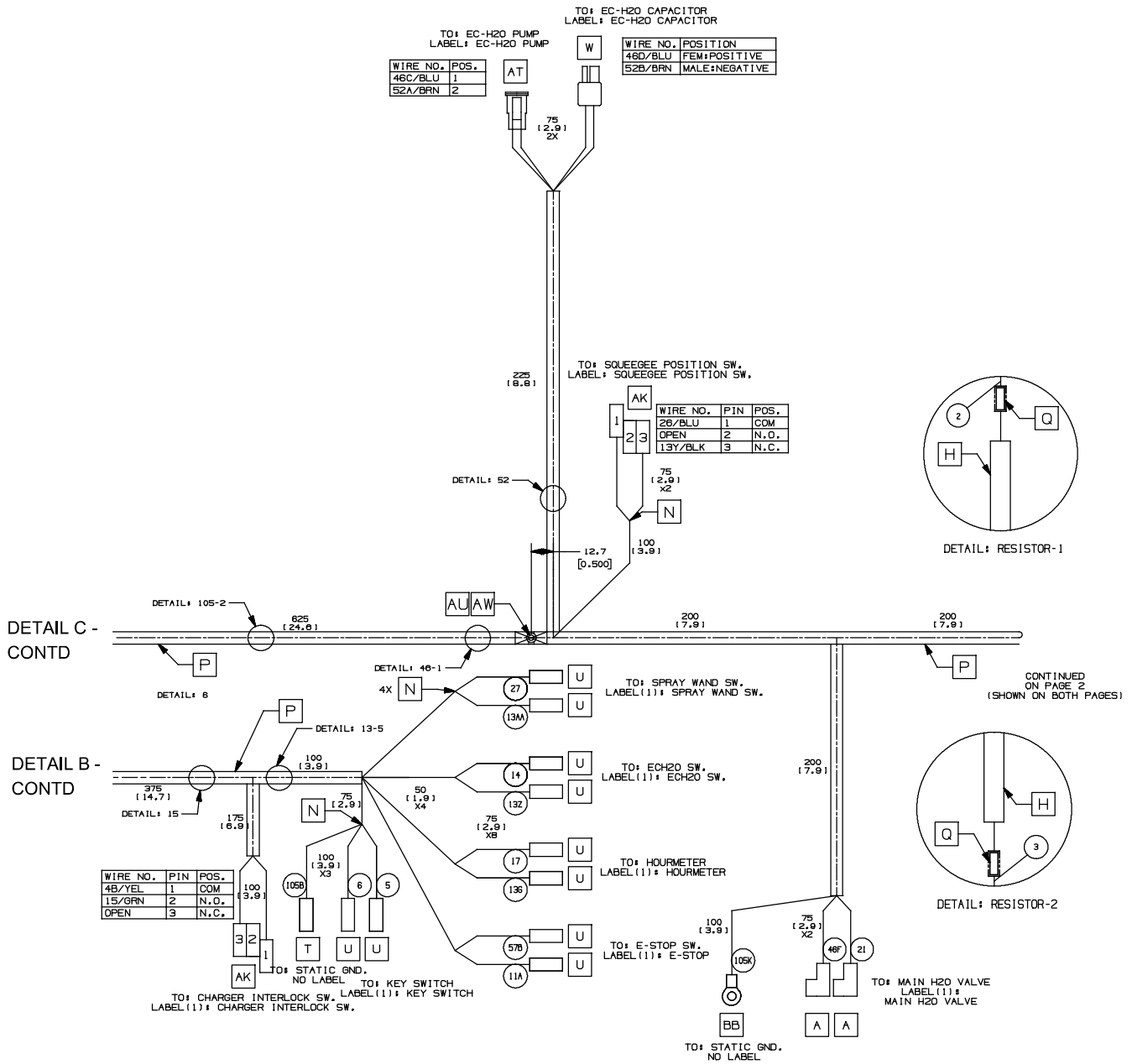
ELECTRICAL HARNESS, MAIN T600 MODEL (PAGE 1 OF 5) (S/N 1000000 - 11011871)

1075520_03



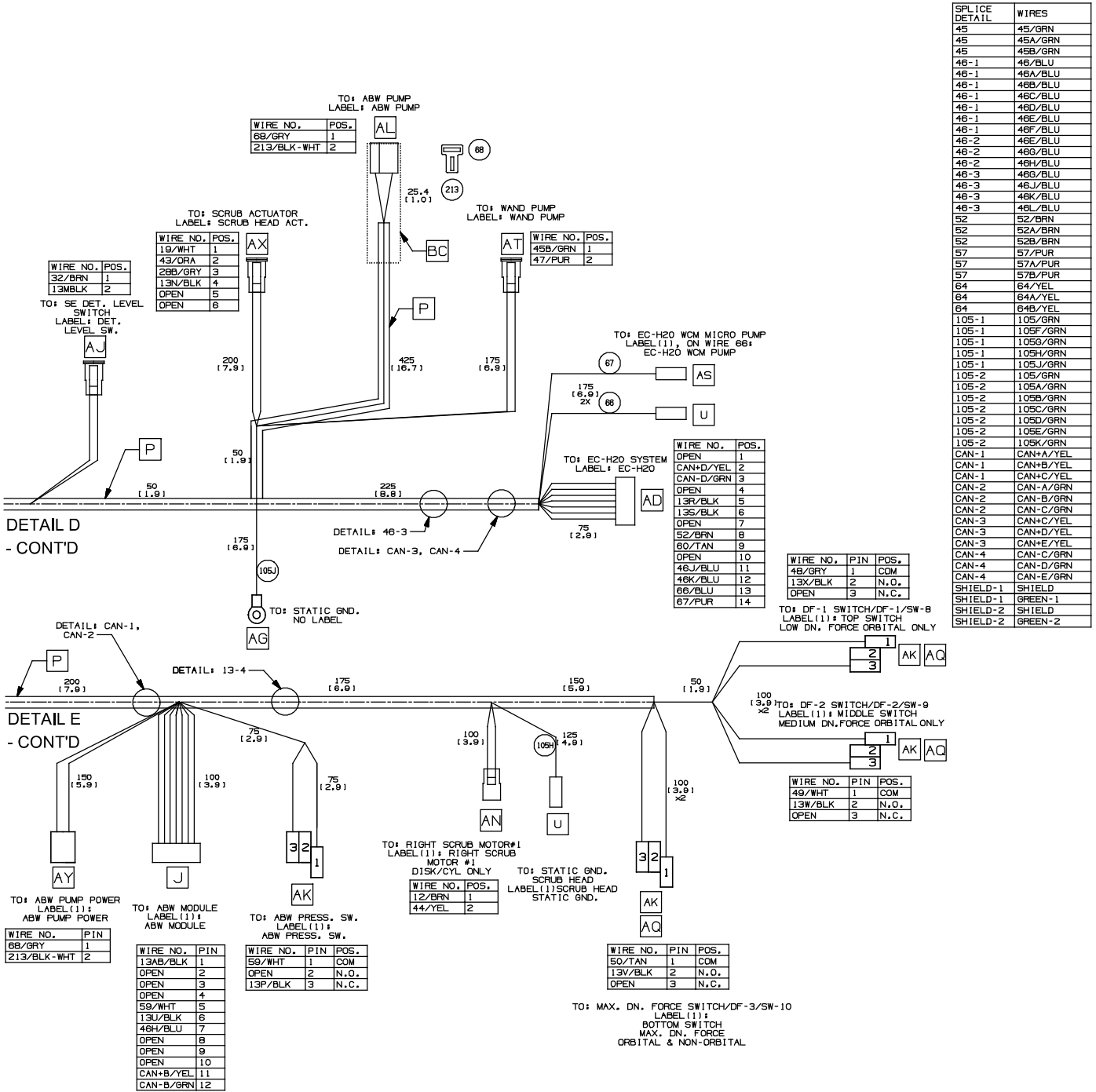
ELECTRICAL HARNESS, MAIN T600 MODEL (PAGE 2 OF 5) (S/N 1000000 - 11011871)

1075520_03



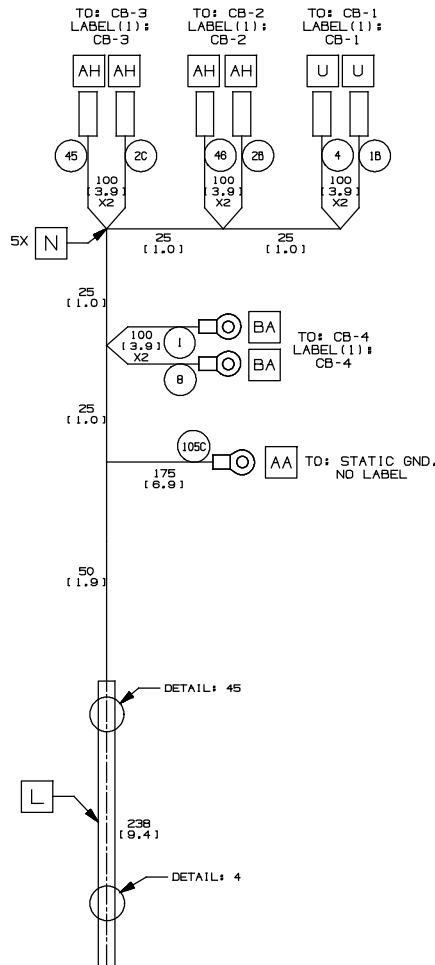
ELECTRICAL HARNESS, MAIN T600 MODEL (PAGE 4 OF 5) (S/N 1000000 - 11011871)

1075520_03



ELECTRICAL HARNESS, MAIN T600 MODEL (PAGE 5 OF 5) (S/N 10000000 - 11011871)

1075520_03

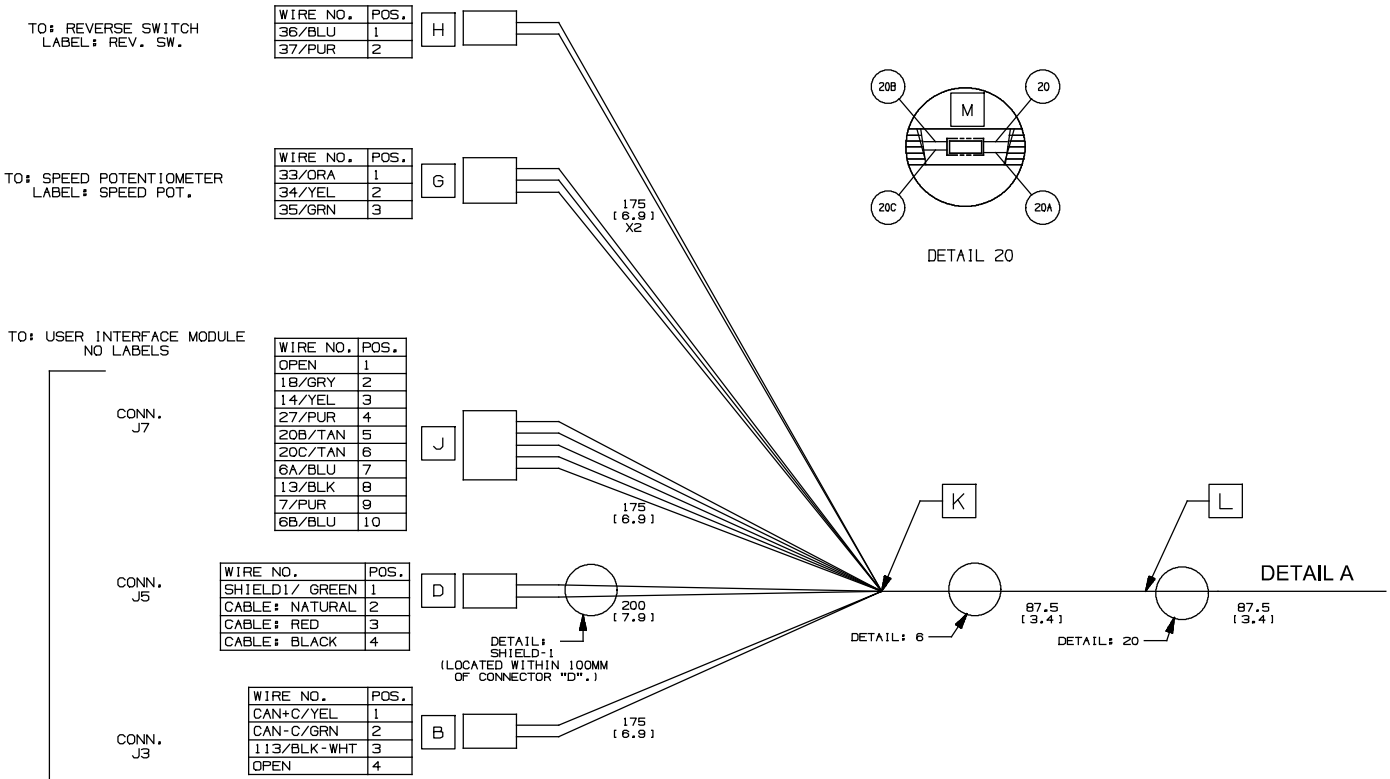


DETAIL A -
CONTD

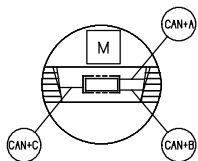
Part No.	Serial Number	Description	Qty.
1075520	(10000000- 11011871)	Harness, Main, Ele [T600]	1
222290	(10000000- 20000000)	Diode, Ele, Plug	4

ELECTRICAL HARNESS, OPERATOR STATION T600 MODEL

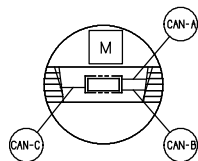
1075519_01



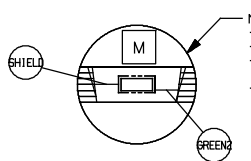
STATIC GROUND
LABEL(1): STATIC GND.



DETAIL CAN 1



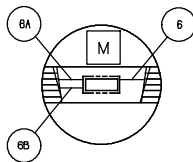
DETAIL CAN 2



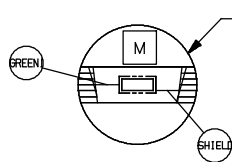
DETAIL CABLE SHIELD-2

NOTE:

- REMOVE CABLE COVERING RIGHT OF THIS POINT.
- SPLICE SHIELD TO THE SHIELD2:GREEN WIRE.
- ROUTE THE (4) WIRES RIGHT TO THE SPECIFIED CONNECTORS.
- COVER THE EXPOSED END OF THE CABLE COVER WITH DEFINED HEATSHRINK.



DETAIL 6



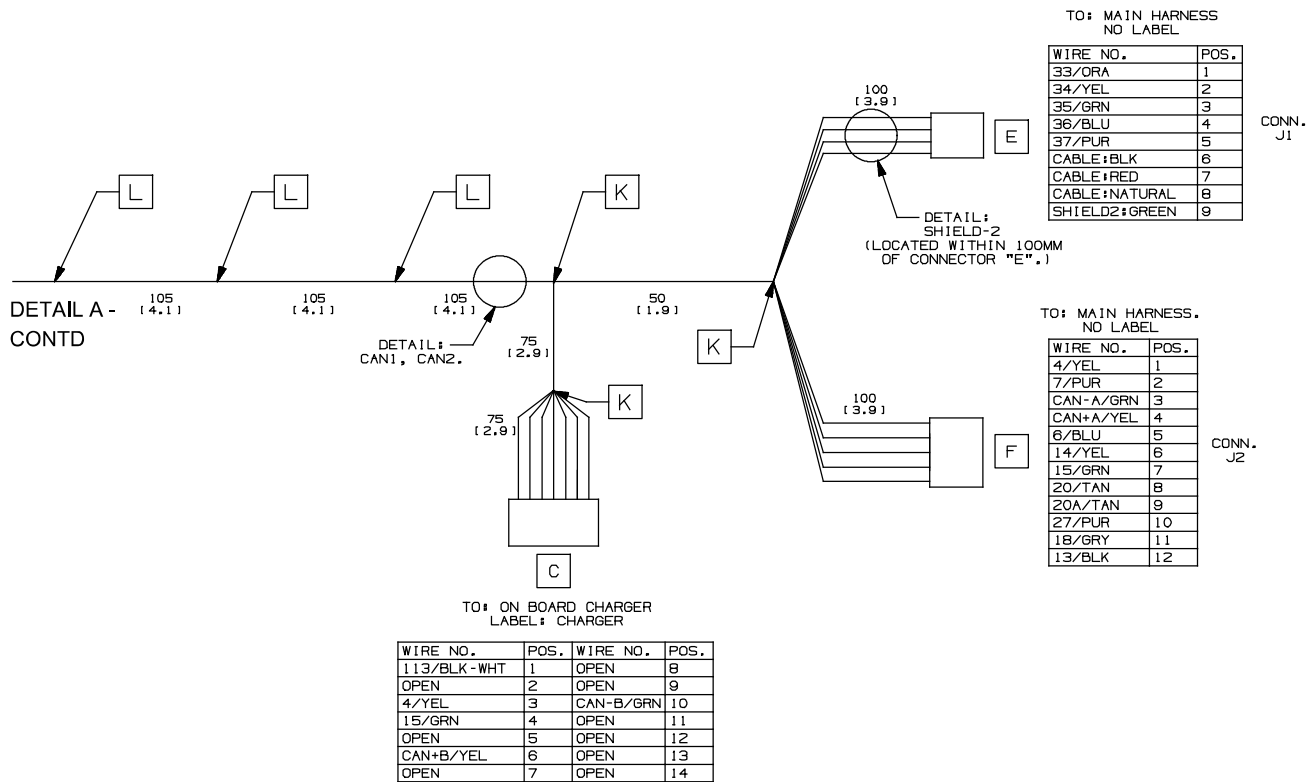
DETAIL CABLE SHIELD-1

NOTE:

- REMOVE CABLE COVERING LEFT OF THIS POINT.
- SPLICE SHIELD TO THE SHIELD1:GREEN WIRE.
- ROUTE THE (4) WIRES LEFT TO THE SPECIFIED CONNECTORS.
- COVER THE EXPOSED END OF THE CABLE COVER WITH DEFINED HEATSHRINK.

ELECTRICAL HARNESS, OPERATOR STATION T600 MODEL

1075519_01



Part No.	Serial Number	Description	Qty.
1075519	(10000000- 20000000)	Harness, Ele [Op. Station, T600]	1

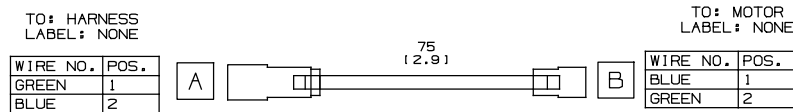
STANDARD PARTS

ELECTRICAL HARNESS, BAIL SWITCH

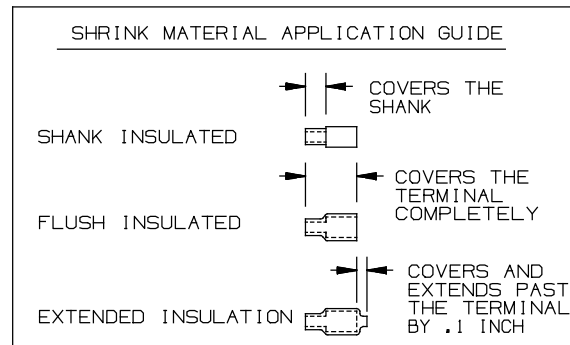
1075585_00

COMPONENT ALPHA	COMPONENT DESCRIPTIONS
A	CONNECTOR BODY(1), MOLEX, MX150L SERIES, .300" PITCH, 2M, 1x2, #19433-0013. TERMINALS, MALE, 10-12GA, #19431-0016.
B	CONNECTOR BODY(1), MOLEX, MX150L SERIES, .300" PITCH, 2F, 1x2, #19432-0013. TERMINALS, FEMALE, 10-12GA, #19434-0003.

NOTE: THIS HARNESS IS USED TO REVERSE THE DIRECTION THE ATTACHED MOTOR SPINS.



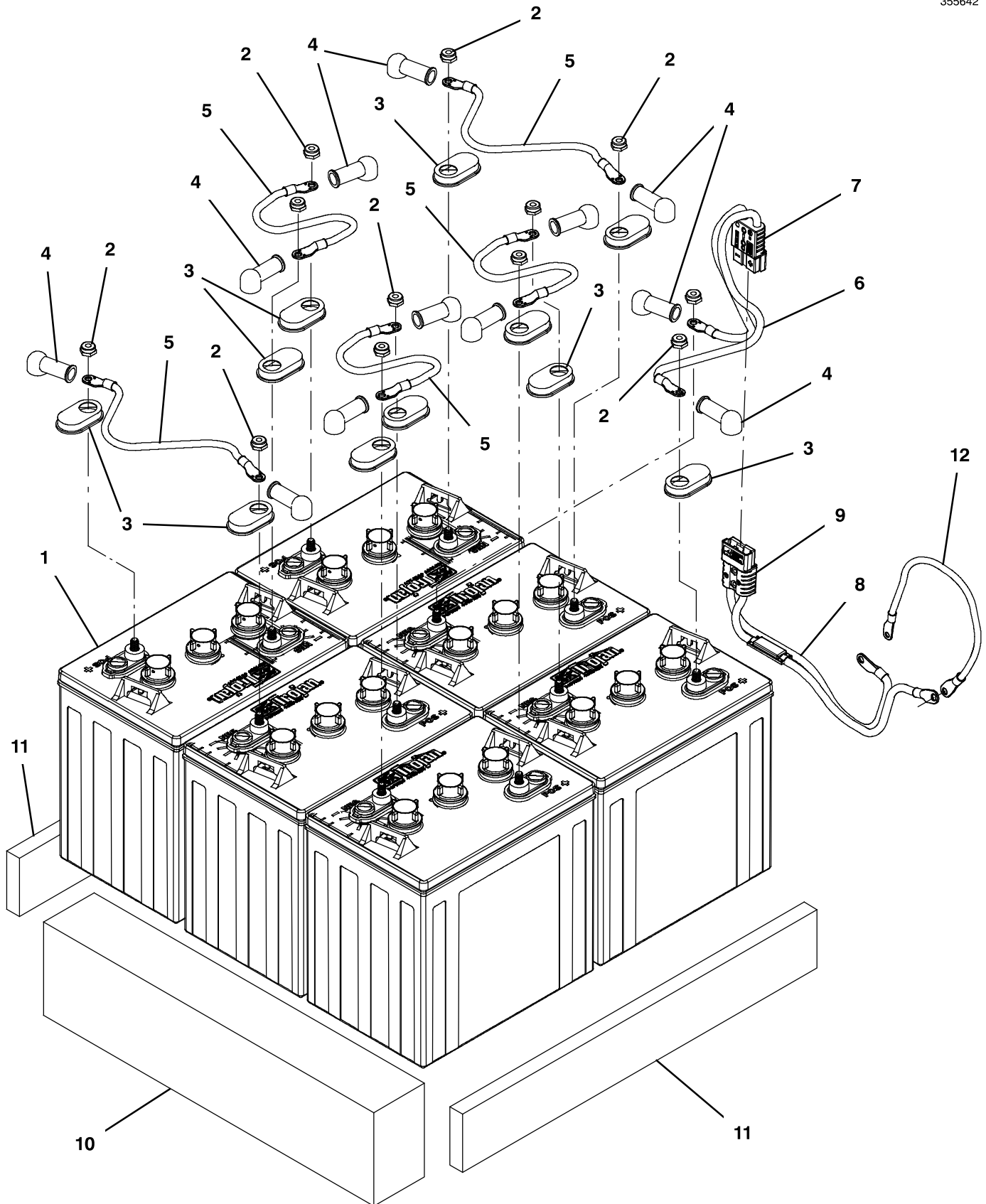
WIRE NO.	COLOR	GAUGE	TYPE
NONE	GREEN	10	SEE NOTE #12
NONE	BLUE	10	SEE NOTE #12



Part No.	Serial Number	Description	Qty.
1075585	(10000000- 20000000)	Harness, Ele [Motor Rev., Molex Mx150]	1

BATTERY GROUP, WET 210AH

355642



BATTERY GROUP, WET 210AH

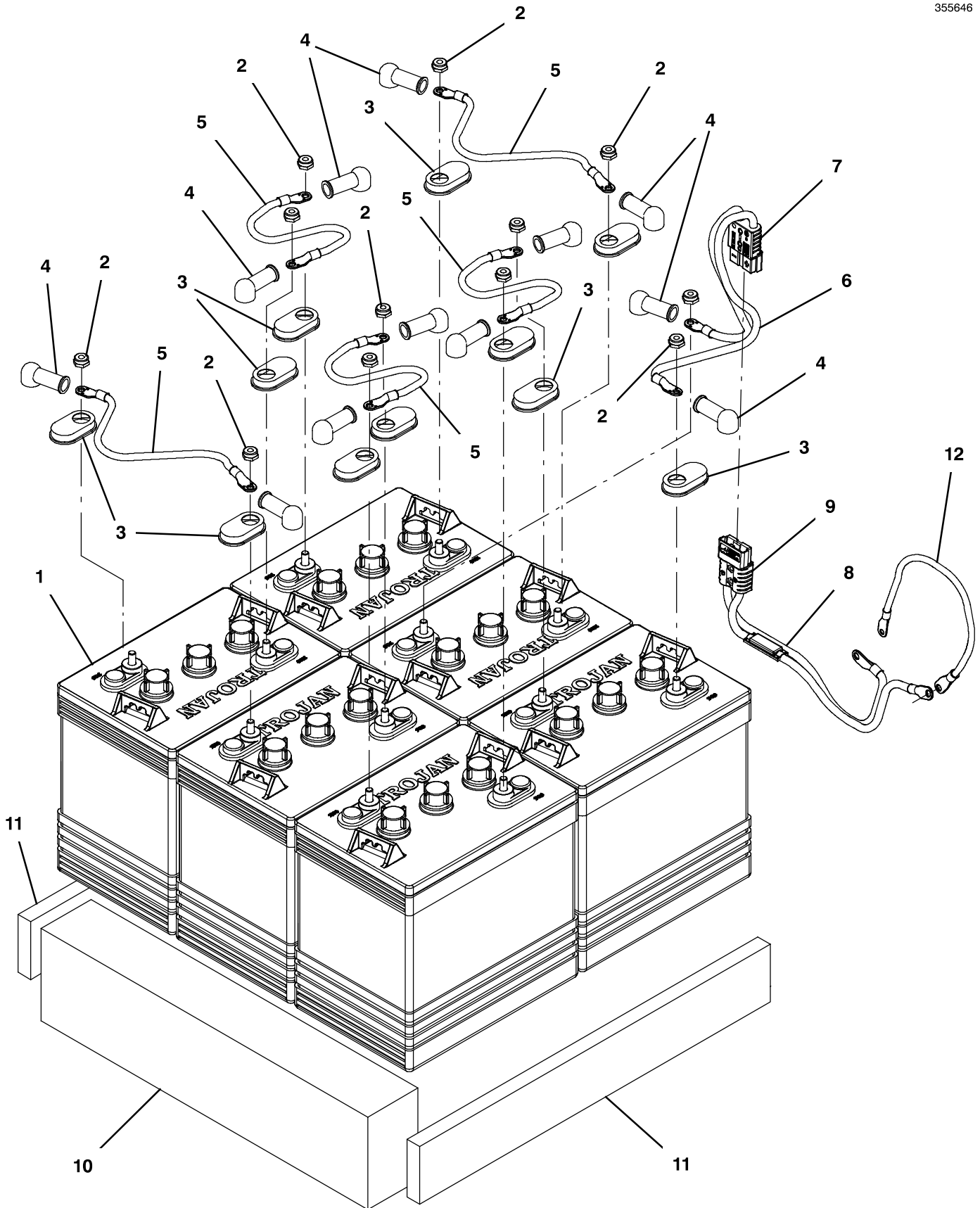
	Ref.	Part No.	Serial Number	Description	Qty.
▽	1	1227180	(10000000- 20000000)	Battery, Wet, 6vdc, 210ah, C/20, W/carton	6
▲	2	87435	(10000000- 20000000)	Nut, Hex, Flexlock, .31- 18	2
	3	1041030	(10000000- 20000000)	Cap, Battery, Black [For 155ah]	12
	4	611221	(10000000- 20000000)	Boot, Terminal, Battery, 25.4mm, Blk	12
	5	63735	(10000000- 20000000)	Cable, 06ga 11.0l Blk .38ring /.38ring	5
▽	6	1075455	(10000000- 20000000)	Cable, Assy [T600, T600e]	1
▲	7	1238858	(10000000- 20000000)	Connector, Battery, Gray [Sb120 Grey]	1
▽	8	1075457	(10000000- 20000000)	Cable, Assy [T600,T600e, Ce]	1
▲	9	1238858	(10000000- 20000000)	Connector, Battery, Gray [Sb120 Grey]	1
	10	222474	(10000000- 20000000)	Spacer, Battery, Foam, 3.00 X 4.8 X 21.0	1
	11	222473	(10000000- 20000000)	Spacer, Battery, 0.75 X 3.0 X 21.0	2
	12	1074945	(10000000- 20000000)	Cable, 04ga 15.0l Red [M8 Ring/M6 Ring] (T600 Model)	1

▽ ASSEMBLY

▲ INCLUDED IN ASSEMBLY

BATTERY GROUP, WET 240AH

355646



BATTERY GROUP, WET 240AH

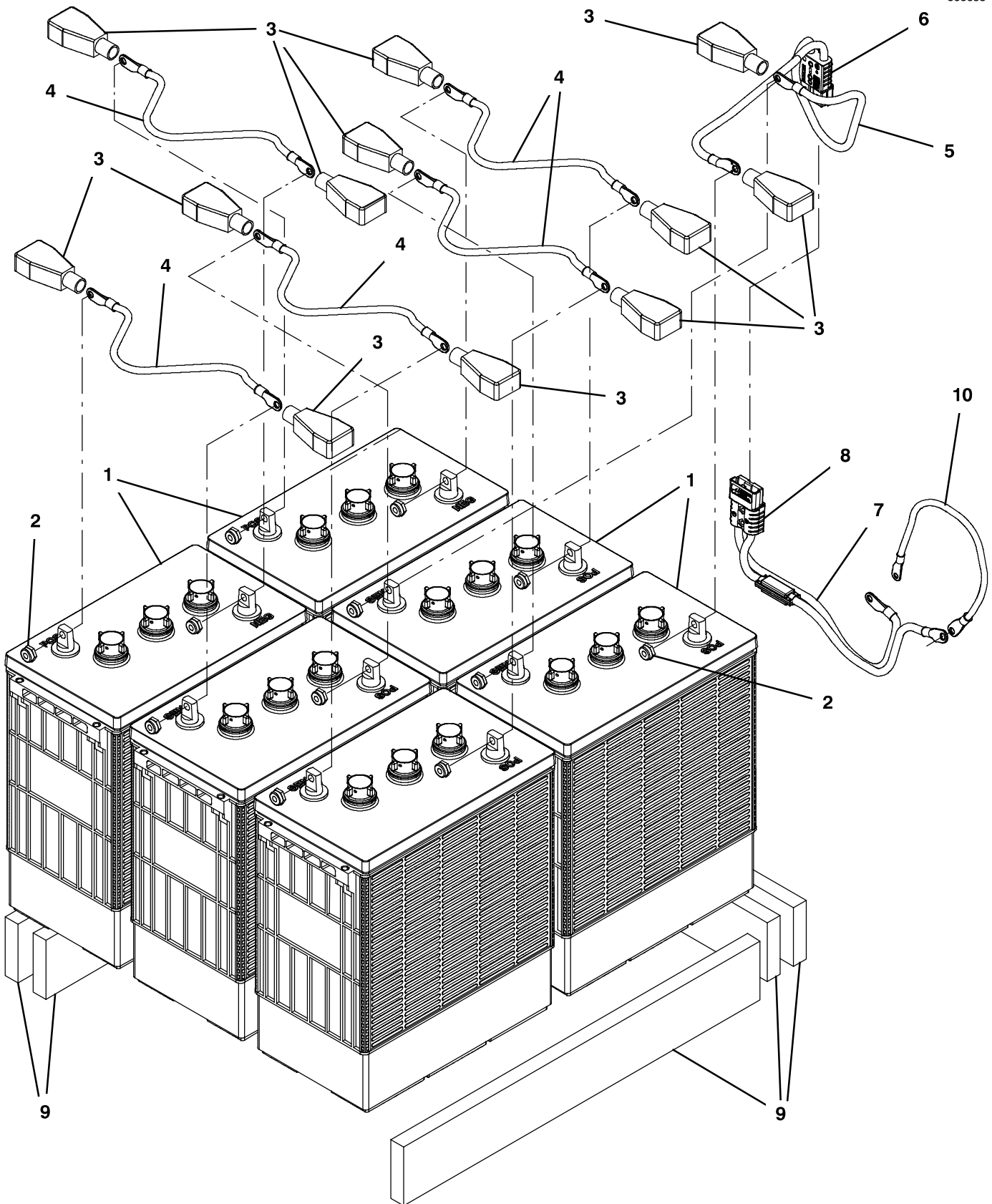
	Ref.	Part No.	Serial Number	Description	Qty.
▽	1	222280	(10000000- 20000000)	Battery, Wet, 06vdc 0240ah	6
▲	2	87435	(10000000- 20000000)	Nut, Hex, Flexlock, .31- 18	2
	3	1041030	(10000000- 20000000)	Cap, Battery, Black [For 155ah]	12
	4	611221	(10000000- 20000000)	Boot, Terminal, Battery, 25.4mm, Blk	12
	5	63735	(10000000- 20000000)	Cable, 06ga 11.0l Blk .38ring /.38ring	5
▽	6	1075455	(10000000- 20000000)	Cable, Assy [T600, T600e]	1
▲	7	1238858	(10000000- 20000000)	Connector, Battery, Gray [Sb120 Grey]	1
▽	8	1075457	(10000000- 20000000)	Cable, Assy [T600,T600e, Ce]	1
▲	9	1238858	(10000000- 20000000)	Connector, Battery, Gray [Sb120 Grey]	1
	10	222474	(10000000- 20000000)	Spacer, Battery, Foam, 3.00 X 4.8 X 21.0	1
	11	222473	(10000000- 20000000)	Spacer, Battery, 0.75 X 3.0 X 21.0	3
	12	1074945	(10000000- 20000000)	Cable, 04ga 15.0l Red [M8 Ring/M6 Ring] (T600 Model)	1

▽ ASSEMBLY

▲ INCLUDED IN ASSEMBLY

BATTERY GROUP, WET 360AH

355633



BATTERY GROUP, WET 360AH

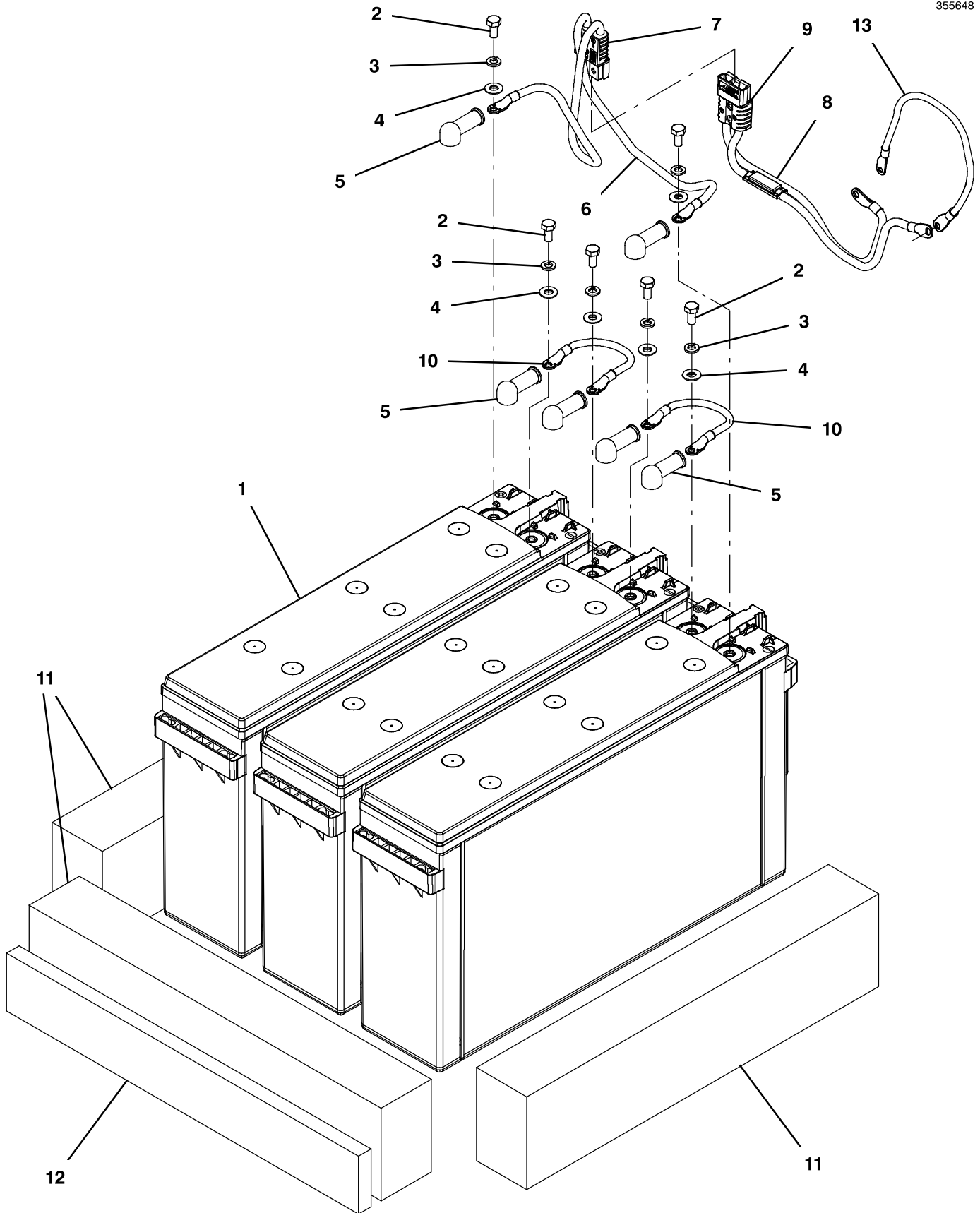
	Ref.	Part No.	Serial Number	Description	Qty.
▽	1	1070587	(10000000- 20000000)	Battery, Wet, 06vdc 0360ah, W/ Cart [Tr]	6
▲	2	87435	(10000000- 20000000)	Nut, Hex, Flexlock, .31- 18	2
	3	611221	(10000000- 20000000)	Boot, Terminal, Battery, 25.4mm, Blk	12
	4	63735	(10000000- 20000000)	Cable, 06ga 11.0l Blk .38ring /.38ring	5
▽	5	1075455	(10000000- 20000000)	Cable, Assy [T600, T600e]	1
▲	6	1238858	(10000000- 20000000)	Connector, Battery, Gray [Sb120 Grey]	1
▽	7	1075457	(10000000- 20000000)	Cable, Assy [T600,T600e, Ce]	1
▲	8	1238858	(10000000- 20000000)	Connector, Battery, Gray [Sb120 Grey]	1
	9	222473	(10000000- 20000000)	Spacer, Battery, 0.75 X 3.0 X 21.0	5
	10	1074945	(10000000- 20000000)	Cable, 04ga 15.0l Red [M8 Ring/M6 Ring] (T600 Model)	1

▽ ASSEMBLY

▲ INCLUDED IN ASSEMBLY

BATTERY GROUP, TPPL 210AH (FAST CHARGE)

355648



BATTERY GROUP, TPPL 210AH (FAST CHARGE)

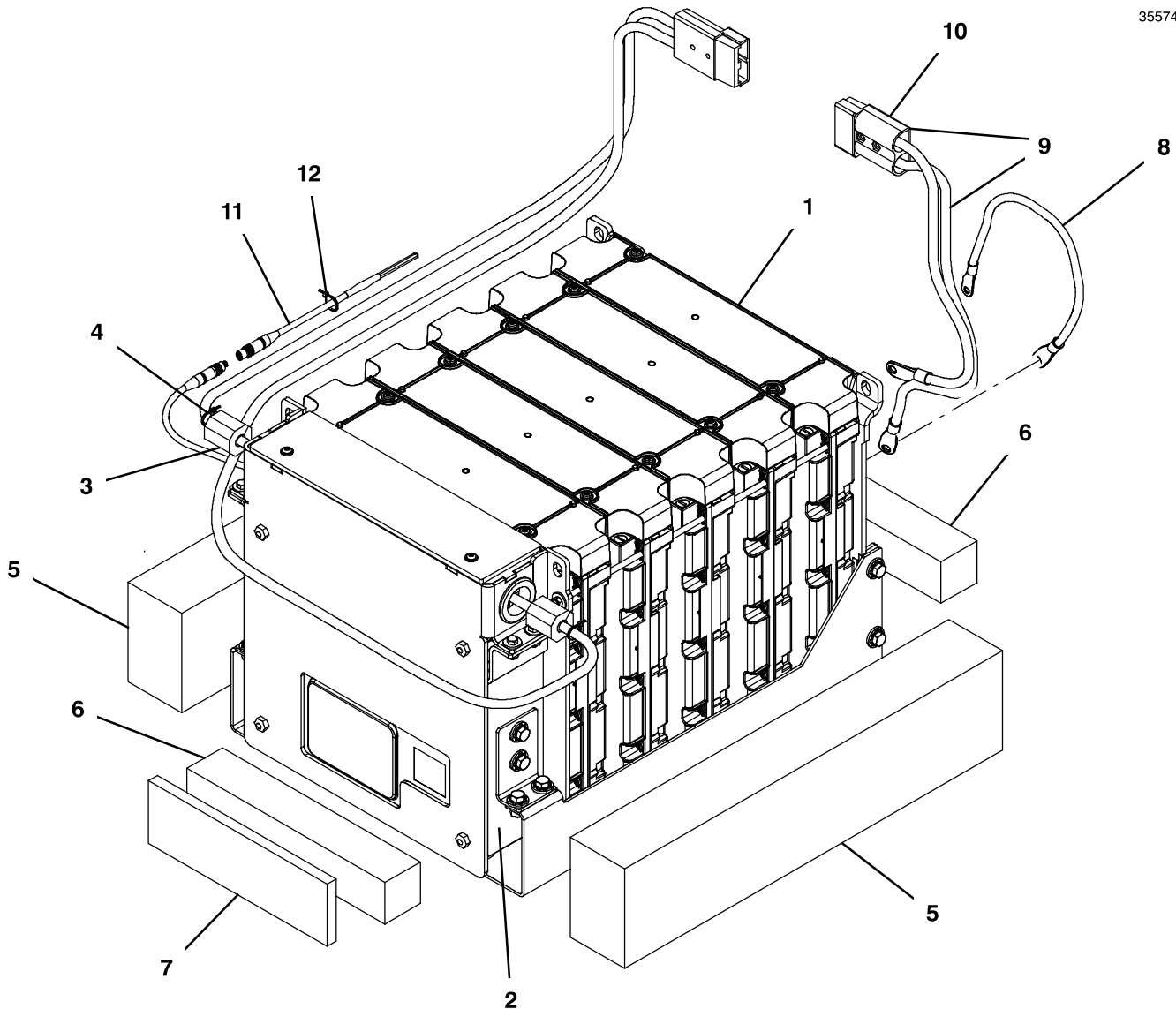
	Ref.	Part No.	Serial Number	Description	Qty.
▽	1	1238358	(10000000- 20000000)	Battery, Tppl, 12vdc, 210ah, W/cart	3
▲	2	15675	(10000000- 20000000)	Screw, Hex, M8 X 1.25 X 16, Ss	2
▲	3	140015	(10000000- 20000000)	Washer, Lock, Split, 0.31, Ss	2
▲	4	140027	(10000000- 20000000)	Washer, Flat, 0.35b 0.75d .04, Ss	2
	5	611221	(10000000- 20000000)	Boot, Terminal, Battery, 25.4mm, Blk	6
▽	6	1075455	(10000000- 20000000)	Cable, Assy [T600, T600e]	1
▲	7	1238858	(10000000- 20000000)	Connector, Battery, Gray [Sb120 Grey]	1
▽	8	1075457	(10000000- 20000000)	Cable, Assy [T600,T600e, Ce]	1
▲	9	1238858	(10000000- 20000000)	Connector, Battery, Gray [Sb120 Grey]	1
	10	223355	(10000000- 20000000)	Cable, 04ga 08.0l Blk .34ring /.34ring	2
	11	222474	(10000000- 20000000)	Spacer, Battery, Foam, 3.00 X 4.8 X 21.0	3
	12	222473	(10000000- 20000000)	Spacer, Battery, 0.75 X 3.0 X 21.0	1
	13	1074945	(10000000- 20000000)	Cable, 04ga 15.0l Red [M8 Ring/M6 Ring] (T600 Model)	1

▽ ASSEMBLY

▲ INCLUDED IN ASSEMBLY

BATTERY GROUP, LITHIUM-ION, 36V, 10.2KWH (5 PACK)

355746



Ref.	Part No.	Serial Number	Description	Qty.
▽	1	9019373*	(10000000-20000000) Battery Assy, T600&E, Lithium, 10.2 Kwh	1
▲	2	1240228*	(10000000-20000000) Controller, Battery, Li- Ion, 36vdc [Bms]	1
▲	3	1052126	(10000000-20000000) Inductor, 12.7mmid [156 Imp At 25mhz]	2
▲	4	763115	(10000000-20000000) Tie, Cable, 6.0l, 1.25d Max	2
	5	222474	(10000000-20000000) Spacer, Battery, Foam, 3.00 X 4.8 X 21.0	2
	6	83415	(10000000-20000000) Spacer, Battery, Foam, 2.00 X 2.0 X 11.0	2
	7	1243754	(10000000-20000000) Spacer, Battery, 0.50 X 3.0 X 10.0	1
	8	1074945	(10000000-20000000) Cable, 04ga 15.0l Red [M8 Ring/M6 Ring] (T600 Model)	1
▽	9	1076484	(10000000-20000000) Cable Assy, Battery, 4ga [T600]	1
▲	10	22892	(10000000-20000000) Connector, Anderson, 175a, Gray	1
	11	1241522	(10000000-20000000) Harness, Cntrl, Battery [T500, T600]	1
	12	49266	(10000000-20000000) Tie, Cable, Nyl, 07.3l .19w 1.8 Max D	2

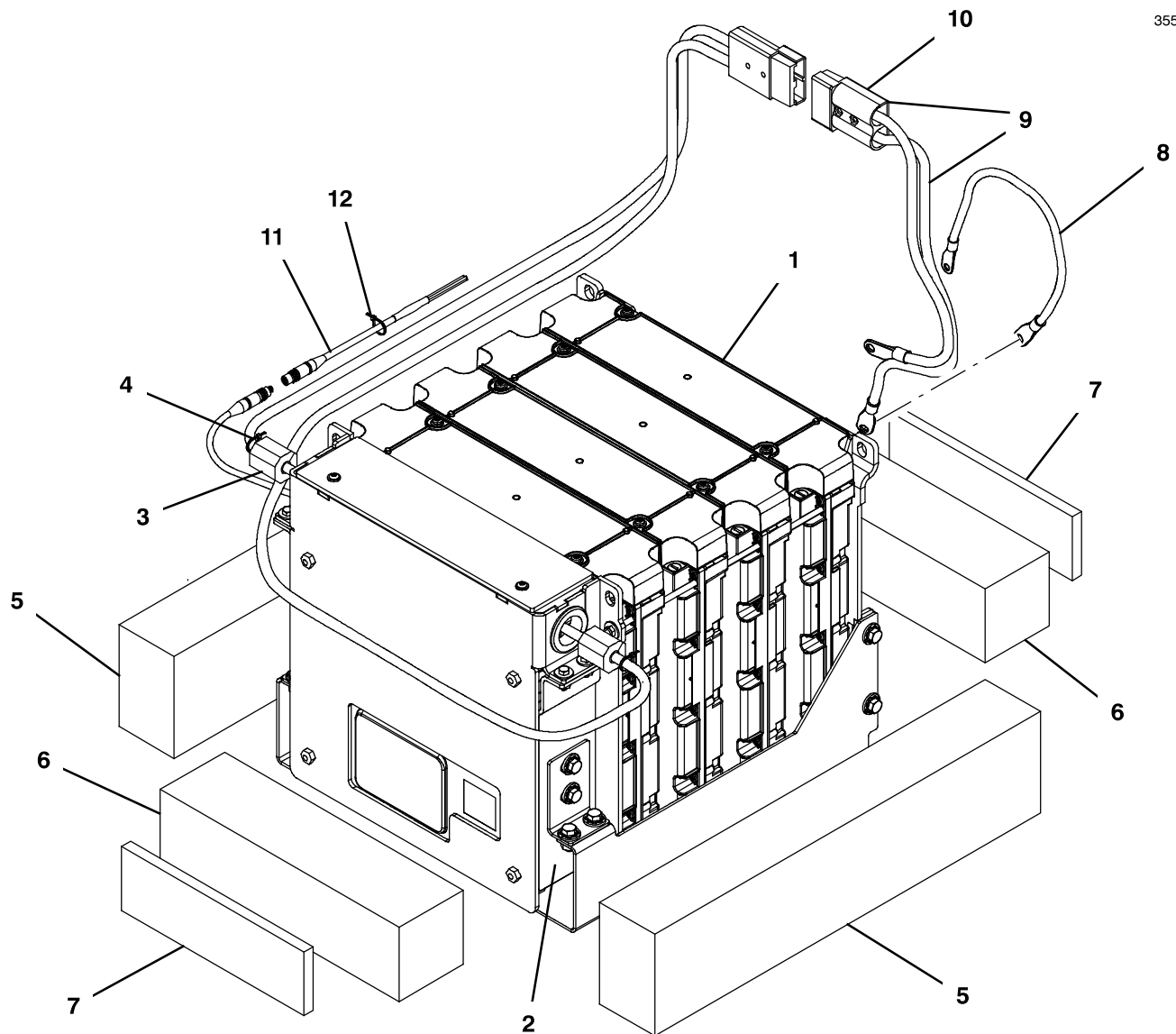
* Requires Tennant *True* service or an authorized Tennant service provider.

▽ ASSEMBLY

▲ INCLUDED IN ASSEMBLY

BATTERY GROUP, LITHIUM-ION, 36V, 8.2KWH (4 PACK)

355747



Ref.	Part No.	Serial Number	Description	Qty.
▽	1	9019374*	(10000000- 20000000) Battery Assy, T600&E, Lithium, 8.2 Kwh	1
▲	2	1240228*	(10000000- 20000000) Controller, Battery, Li- Ion, 36vdc [Bms]	1
▲	3	1052126	(10000000- 20000000) Inductor, 12.7mmid [156 Imp At 25mhz]	2
▲	4	763115	(10000000- 20000000) Tie, Cable, 6.0l, 1.25d Max	2
	5	222474	(10000000- 20000000) Spacer, Battery, Foam, 3.00 X 4.8 X 21.0	2
	6	1243753	(10000000- 20000000) Spacer, Battery, 3.5 X 3.5 X 13.0	2
	7	1243754	(10000000- 20000000) Spacer, Battery, 0.50 X 3.0 X 10.0	2
	8	1074945	(10000000- 20000000) Cable, 04ga 15.0l Red [M8 Ring/M6 Ring] (T600 Model)	1
▽	9	1076484	(10000000- 20000000) Cable Assy, Battery, 4ga [T600]	1
▲	10	22892	(10000000- 20000000) Connector, Anderson, 175a, Gray	1
	11	1241522	(10000000- 20000000) Harness, Cntrl, Battery [T500, T600]	1
	12	49266	(10000000- 20000000) Tie, Cable, Nyl, 07.3l .19w 1.8 Max D	2

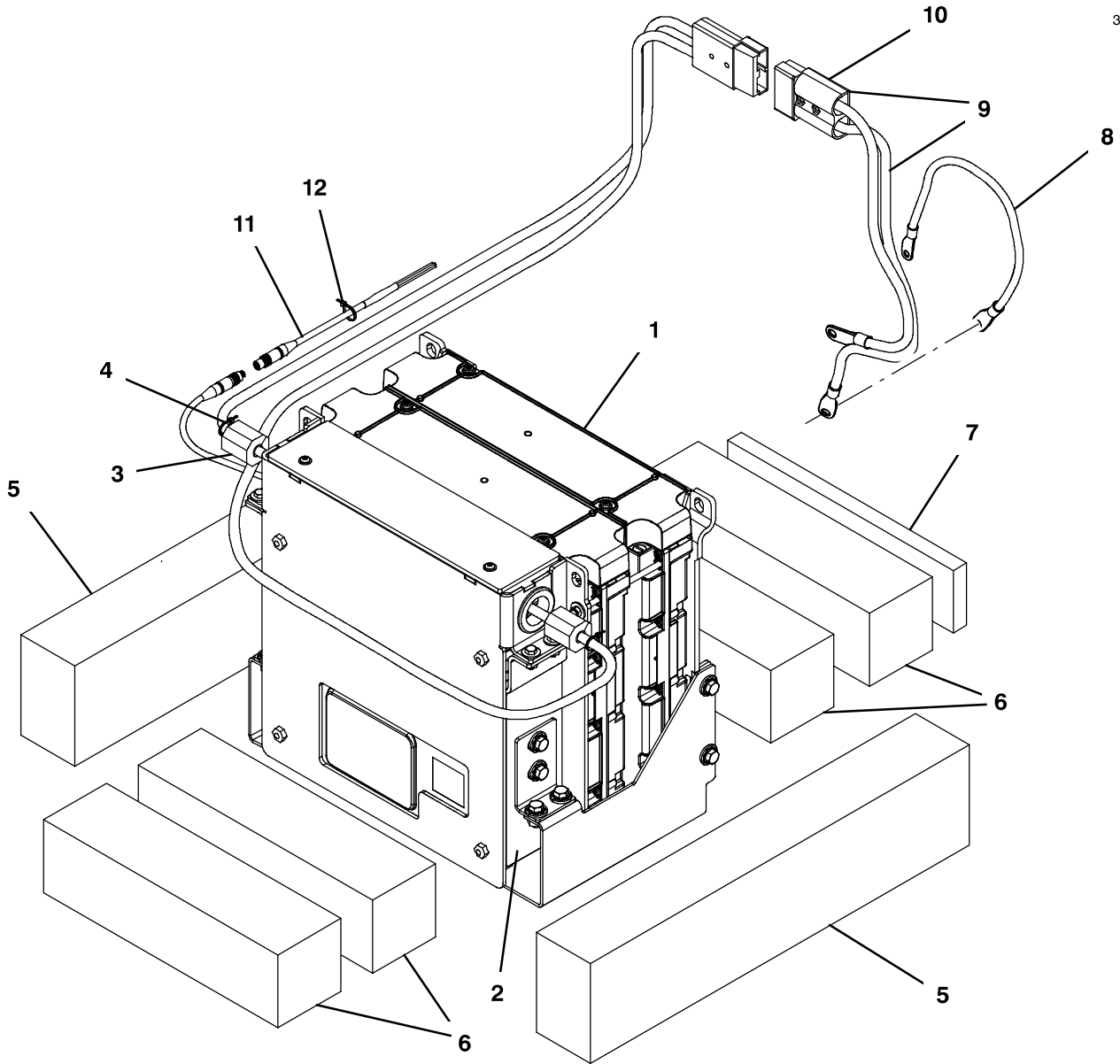
*** Requires Tennant *True* service or an authorized Tennant service provider.**

▽ ASSEMBLY

▲ INCLUDED IN ASSEMBLY

BATTERY GROUP, LITHIUM-ION, 36V, 4.1KWH (2 PACK)

355748



Ref.	Part No.	Serial Number	Description	Qty.
▽	1	9019375*	(10000000- 20000000) Battery Assy, T600&E, Lithium, 4.1 Kwh	1
▲	2	1240228*	(10000000- 20000000) Controller, Battery, Li- Ion, 36vdc [Bms]	1
▲	3	1052126	(10000000- 20000000) Inductor, 12.7mmid [156 Imp At 25mhz]	2
▲	4	763115	(10000000- 20000000) Tie, Cable, 6.0l, 1.25d Max	2
	5	222474	(10000000- 20000000) Spacer, Battery, Foam, 3.00 X 4.8 X 21.0	2
	6	1243753	(10000000- 20000000) Spacer, Battery, 3.5 X 3.5 X 13.0	4
	7	1242643	(10000000- 20000000) Spacer, Battery, 0.75 X 3.0 X 12.5	1
	8	1074945	(10000000- 20000000) Cable, 04ga 15.0l Red [M8 Ring/M6 Ring] (T600 Model)	1
▽	9	1076484	(10000000- 20000000) Cable Assy, Battery, 4ga [T600]	1
▲	10	22892	(10000000- 20000000) Connector, Anderson, 175a, Gray	1
	11	1241522	(10000000- 20000000) Harness, Cntrl, Battery [T500, T600]	1
	12	49266	(10000000- 20000000) Tie, Cable, Nyl, 07.3l .19w 1.8 Max D	2

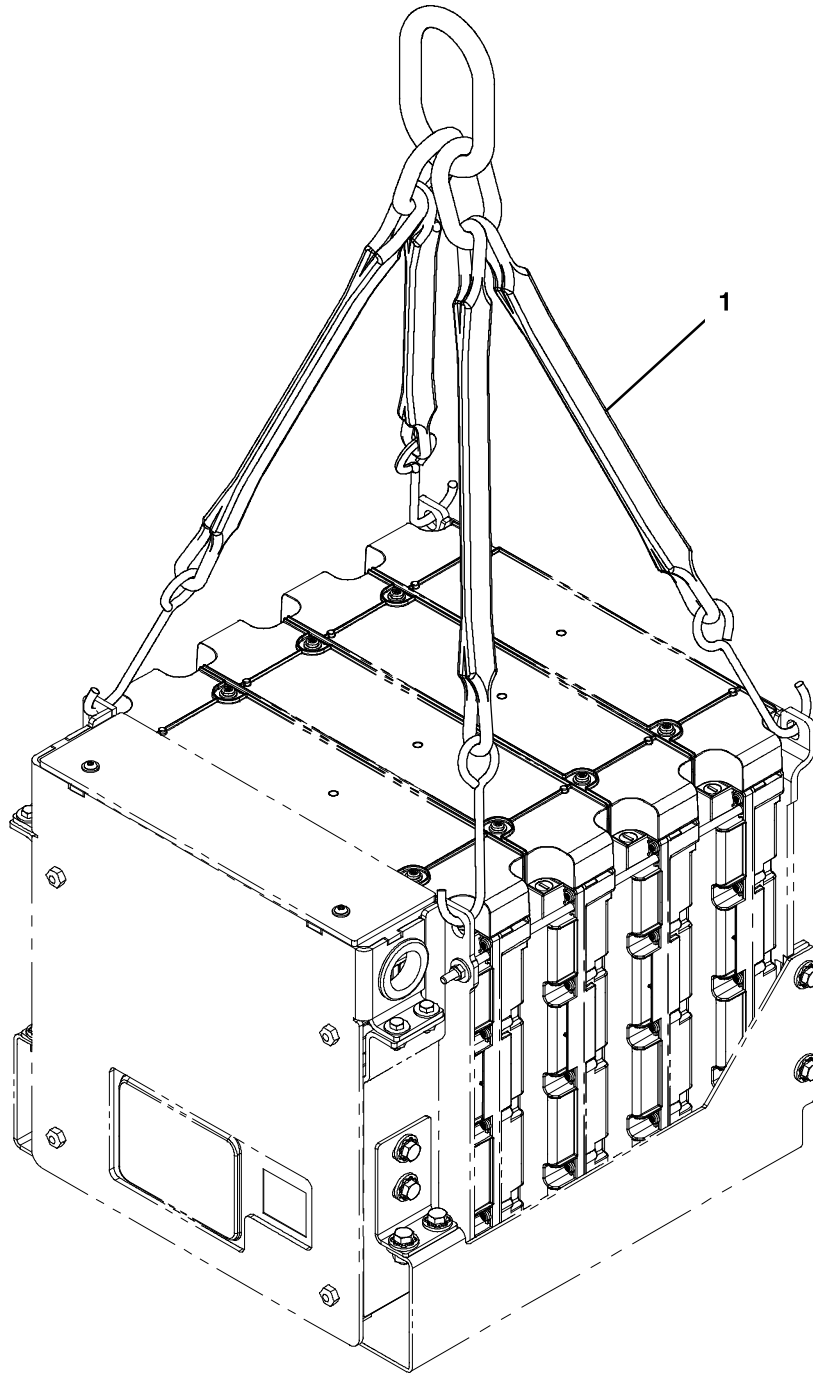
*** Requires Tennant True service or an authorized Tennant service provider.**

▽ ASSEMBLY

▲ INCLUDED IN ASSEMBLY

BATTERY LIFT GROUP, LITHIUM-ION

355749

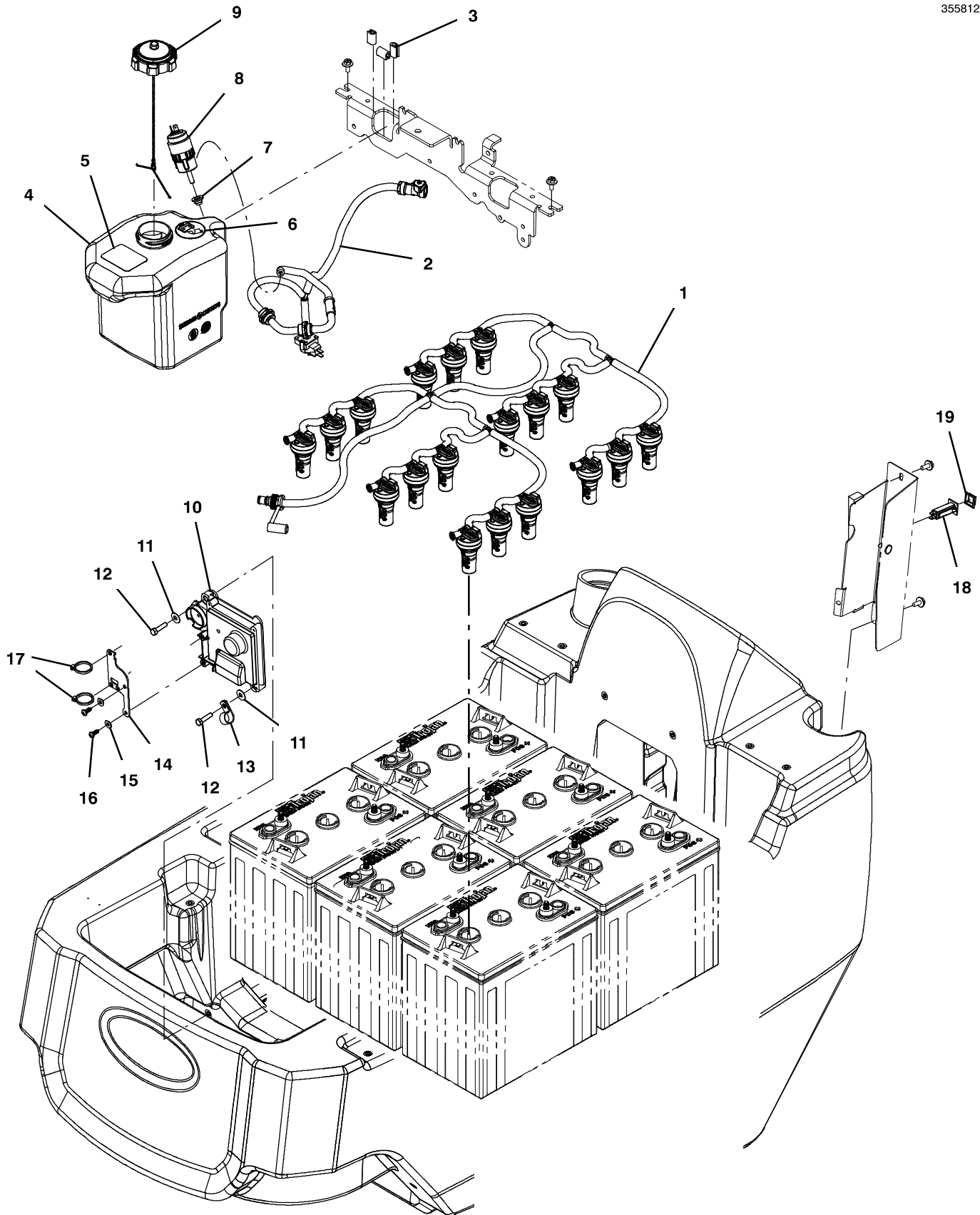


Ref.	Part No.	Serial Number	Description	Qty.
1	9020678*	(10000000- 20000000)	Parts Kit, Lift [Li- Ion]	1

* Requires Tennant *True* service or an authorized Tennant service provider.

SMART-FILL™ AUTOMATIC BATTERY WATERING GROUP
(S/N 11011872 -)

355812



**SMART-FILL™ AUTOMATIC BATTERY WATERING GROUP
(S/N 11011872 -)**

	Ref.	Part No.	Serial Number	Description	Qty.
▽		9021522	(11011872- 20000000)	Smart- Fill Kit, 4.0l, 6 Bty, Ci [Trojan]	1
▲	1	1248178	(11011872- 20000000)	Distribution Assy, Water, Battery	1
▲	2	9018989	(11011872- 20000000)	Delivery Kit, Water, Battery	1
▲	3	1020168	(10000000- 20000000)	Molding, Afmkt, Trim, Pvc, .08 .11, 01ft	1
▲▽	4	9016843	(10000000- 20000000)	Tank Assy, Soltn, 4.0l, Afmkt [T600,Abw]	1
▲▲	5	1233633	(11011872- 20000000)	Label, Detgt [Do Not Add]	1
▲▲	6	1224988	(10000000- 20000000)	Label, Automated Battery Watering	1
▲▲	7	1231338	(10000000- 20000000)	Grommet, Pump	1
▲▲	8	1231018	(10000000- 20000000)	Pump, In- Tank, 13.5vdc 3.5lpm	1
▲	9	1235763	(10000000- 20000000)	Cap, Tank, 2.25 [Blue,Vented W/Lanyard]	1
▲	10	9016770*	(10000000- 20000000)	Controller Kit, Battery, 24vdc, Ci [Abw]	1
▲	11	01684	(10000000- 20000000)	Washer, Flat, 0.27b 0.69d .05, Ss	2
▲	12	1016005	(10000000- 20000000)	Screw, Hex, M6 X 1.00 X 25, NI, FI, Ss	2
▲	13	40678- 1	(11011872- 20000000)	Clamp, Cable, Stl, 0.88d X 0.62w, 1hole	1
▲	14	1252827	(11011872- 20000000)	Plate, Mtg, Abw	1
▲	15	01683	(10000000- 20000000)	Washer, Flat, 10, Ss	2
▲	16	1018155	(10000000- 20000000)	Screw, Pan, Phl, M5 X 0.80 X 16, Tcut,Ss	2
▲	17	130773	(11011872- 20000000)	Tie, Cable, Nyl, 11.0l, .14w, 3.0 Max. D	2
▲	18	1064187	(10000000- 20000000)	Circuitbreaker, 10.0a, Resetable (ABW Option)	1
▲	19	1064191	(10000000- 20000000)	Boot, Circuitbreaker	1

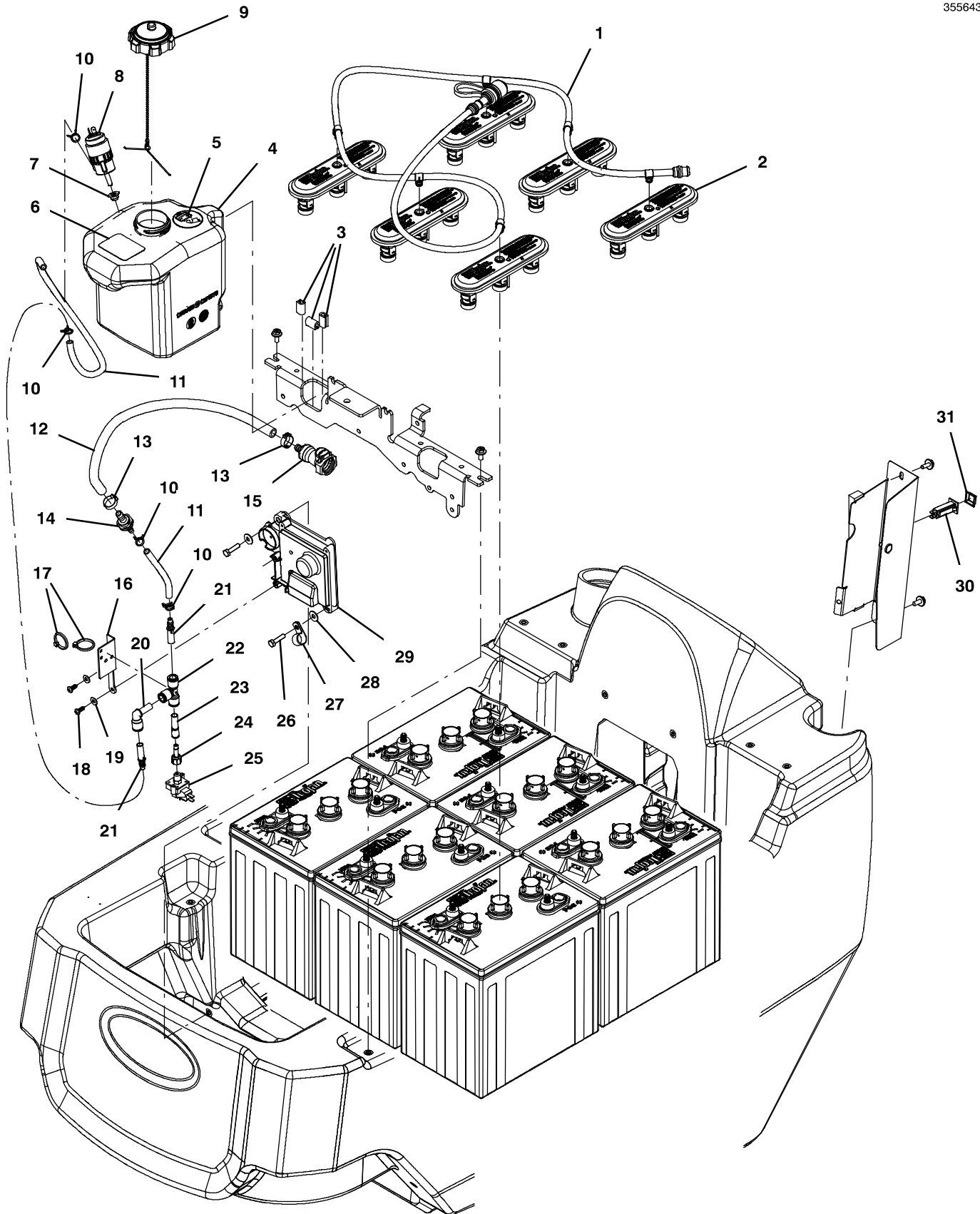
* Requires Tennant *True* service or an authorized Tennant service provider.

▽ ASSEMBLY

▲ INCLUDED IN ASSEMBLY

SMART-FILL™ AUTOMATIC BATTERY WATERING GROUP
(S/N 10000000 - 11011871)

355643



**SMART-FILL™ AUTOMATIC BATTERY WATERING GROUP
(S/N 10000000 - 11011871)**

Ref.	Part No.	Serial Number	Description	Qty.
	1	1201997	(10000000- 11011871) Tube, Water, Battery, 36vdc [Trojan]	1
	2	1204142	(10000000- 11011871) Cap, Fill, Battery [Trojan]	6
	3	1020168	(10000000- 20000000) Molding, Afmkt, Trim, Pvc, .08 .11, 01ft	1
▽	4	9016843	(10000000- 20000000) Tank Assy, Soltn, 4.0l, Afmkt [T600,Abw]	1
▲	5	1224988	(10000000- 20000000) Label, Automated Battery Watering	1
▲	6	1233633	(11011872- 20000000) Label, Detgt [Do Not Add]	1
▲	7	1231338	(10000000- 20000000) Grommet, Pump	1
▲	8	1231018	(10000000- 20000000) Pump, In- Tank, 13.5vdc 3.5lpm	1
	9	1235763	(10000000- 20000000) Cap, Tank, 2.25 [Blue,Vented W/Lanyard]	1
	10	613735	(10000000- 11011871) Clamp, Hose, Wir, .40 - .42, Yel	4
	11	1014985	(10000000- 11011871) Hose, Afmkt, Pvc, Clr, 0.25id, 08ft	1
	12	63182- 2	(10000000- 11011871) Hose, Pvc, Clr, 0.38id 0.56od 036.0l	1
	13	607775	(10000000- 11011871) Clamp, Hose, Wir, .63 - .66, Blk	2
	14	1225185	(10000000- 11011871) Valve, Check, 0002psi Bm04/Bm06	1
	15	1221589	(10000000- 11011871) Fitting, Plstc, Str, Bm06, Cplg, Fem[HI]	1
	16	1234378	(10000000- 11011871) Bracket, Mtg, Abw	1
	17	130041	(10000000- 11011871) Tie, Cable, Nyl, 11.5l .19w	2
	18	1018155	(10000000- 20000000) Screw, Pan, Phl, M5 X 0.80 X 16, Tcut,Ss	2
	19	01683	(10000000- 20000000) Washer, Flat, 10, Ss	2
	20	1215186	(10000000- 11011871) Fitting, Plstc, E90, Qf06/Qm06	2
	21	1212857	(10000000- 11011871) Fitting, Plstc, Str, Qm06/Bm04	2
	22	1212573	(10000000- 11011871) Fitting, Plstc, Tee, Qf06/Qf06/Qf06	1
	22	1212934	(10000000- 11011871) Fitting, Plstc, Str, Qf04/Qm06	1
	24	1231855	(10000000- 11011871) Fitting, Plstc, Str, Qm04/Pf02	1
	25	1055254	(10000000- 11011871) Switch, Press, 25 Psi, Pm02	1
	26	1016005	(10000000- 20000000) Screw, Hex, M6 X 1.00 X 25, NI, Fl, Ss	2
	27	33584	(10000000- 11011871) Clamp, Cable, Stl, 0.63d X 0.50w, 1hole	1
	28	01684	(10000000- 20000000) Washer, Flat, 0.27b 0.69d .05, Ss	2
	29	9016770*	(10000000- 20000000) Controller Kit, Battery, 24vdc, Ci [Abw]	1
	30	1064187	(10000000- 20000000) Circuitbreaker, 10.0a, Resetable (ABW Option)	1
	31	1064191	(10000000- 20000000) Boot, Circuitbreaker	1

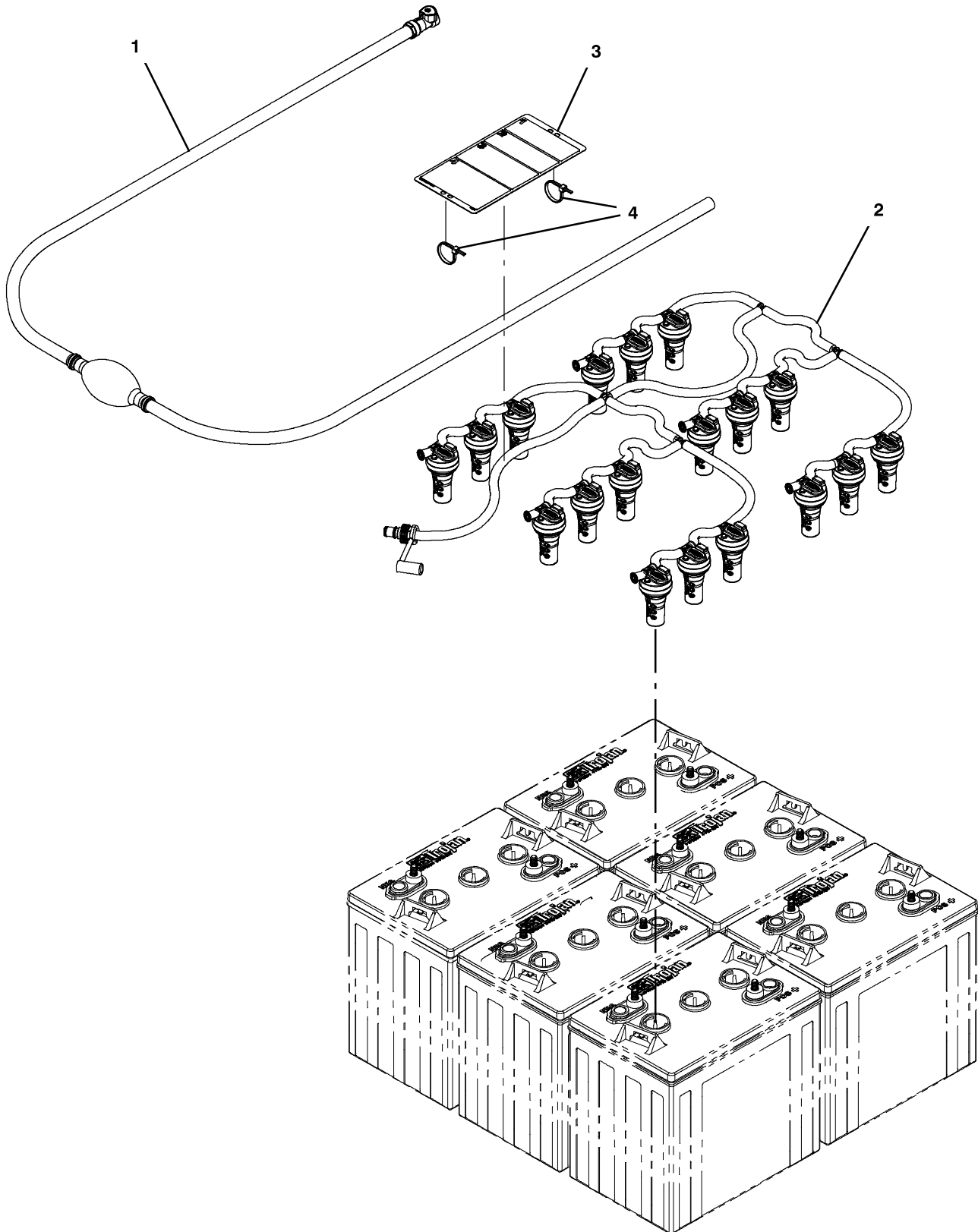
*** Requires Tennant *True* service or an authorized Tennant service provider.**

▽ ASSEMBLY

▲ INCLUDED IN ASSEMBLY

MANUAL BATTERY WATERING SYSTEM
(S/N 11011759 -)

355813



**MANUAL BATTERY WATERING SYSTEM
(S/N 11011759 -)**

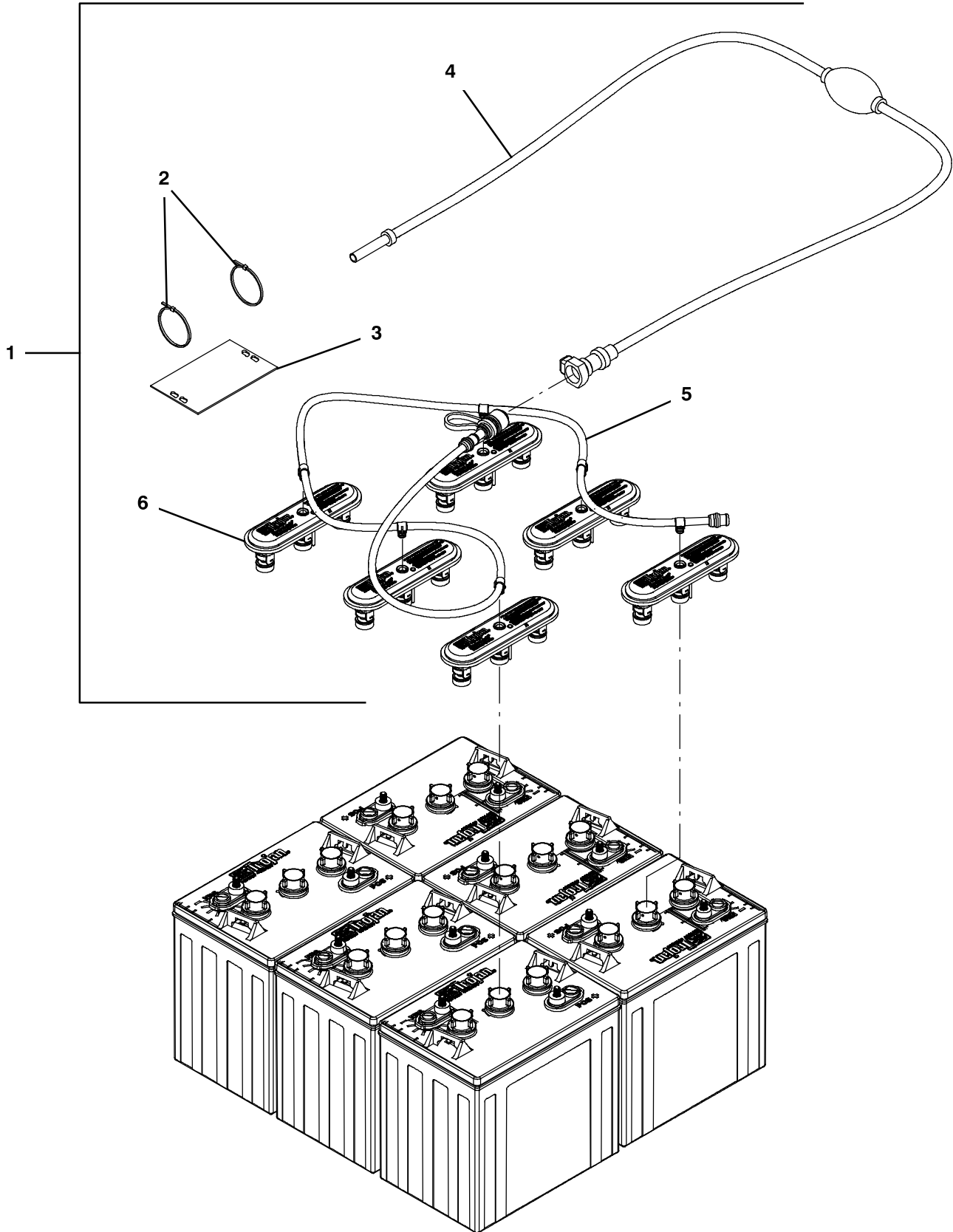
	Ref.	Part No.	Serial Number	Description	Qty.
▽		9045074	(11011759- 20000000)	Fill Kit, 6 Btry, Mnl, Ci [Trojan]	1
▲	1	1236295	(11011759- 20000000)	Pump, Hand, Battery	1
▲	2	1248178	(11011759- 20000000)	Distribution Assy, Water, Battery	1
▲	3	1253250	(11011759- 20000000)	Label, Tag, Battery [Bwt Watering]	1
▲	4	130773	(10000000- 20000000)	Tie, Cable, Nyl, 11.0l, .14w, 3.0 Max. D	2

▽ ASSEMBLY

▲ INCLUDED IN ASSEMBLY

HYDROLINK[®] MANUAL BATTERY WATERING KIT
(S/N 10000000 - 11011758)

355644



**HYDROLINK® MANUAL BATTERY WATERING KIT
(S/N 10000000 - 11011758)**

	Ref.	Part No.	Serial Number	Description	Qty.
▽	1	9010301	(10000000- 11011758)	Battery Fill Kit, 36v, Ci [Hydrolink]	1
▲	2	130773	(10000000- 20000000)	Tie, Cable, Nyl, 11.0l, .14w, 3.0 Max. D	2
▲	3	1071084	(10000000- 11011758)	Label, Tag, Battery [Hydrolink Watering]	1
▲	4	1058939	(10000000- 11011758)	Pump Kit, Fill, Battery	1
▲	5	1201997	(10000000- 11011758)	Tube, Water, Battery, 36vdc [Trojan]	1
▲	6	1204142	(10000000- 11011758)	Cap, Fill, Battery [Trojan]	6

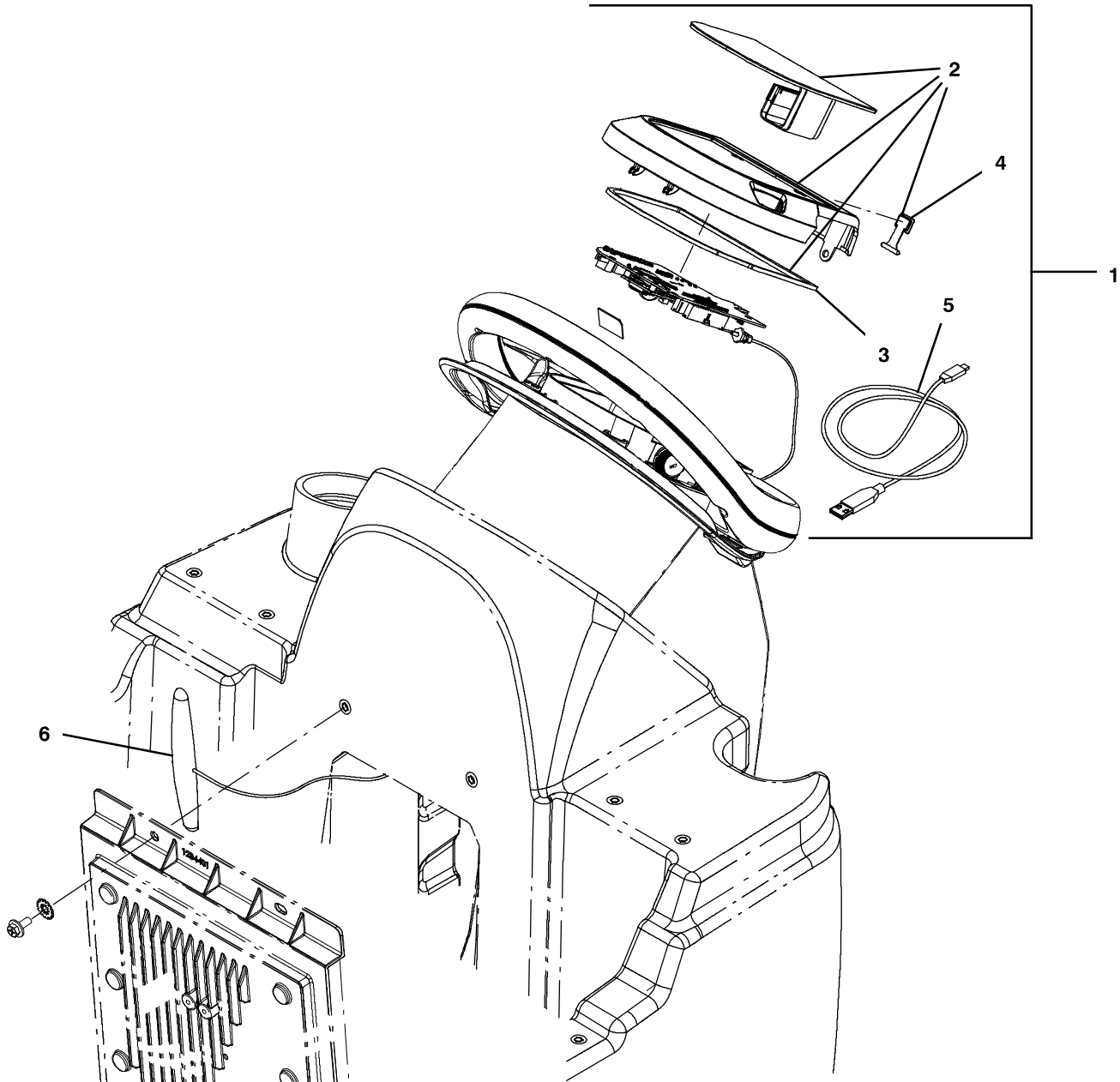
▽ ASSEMBLY

▲ INCLUDED IN ASSEMBLY

HYDROLINK® IS A REGISTERED TRADEMARK OF TROJAN BATTERY COMPANY.

TELEMETRY GROUP (T600e MODEL)
(S/N 11015347 -)

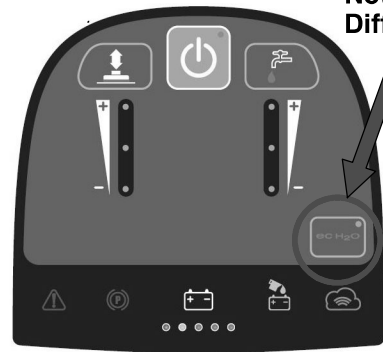
355836



Membrane Not Available
For Replacement



Membrane Replacement
Order 9021628



Note Visual
Difference

TELEMETRY GROUP (T600e MODEL)
(S/N 11015347 -)

	Ref.	Part No.	Serial Number	Description	Qty.
▽	1	9021604*	(11015347- 20000000)	Bezel Kit, Membrane, Telem, Ci [T600e] (Includes Sim Card - Not Available Separately)	1
▲▽	2	9021628**	(11015347- 20000000)	Screen Kit, Membrane, Ci [T500e/T600e]	1
▲▲	3	1245824	(MAR2020- 20000000)	Gasket, Console	1
▲▲	4	1205618	(10000000- 20000000)	Cap, Usb	1
▲	5	1071235	(10000000- 20000000)	Cable [Usb, 2m, A- Male To Mini- B- Male]	1
▲	6	1247522	(10999247- 20000000)	Antenna, Telem [4g, 72"]	1

* Requires Tennant *True* service or an authorized Tennant service provider.

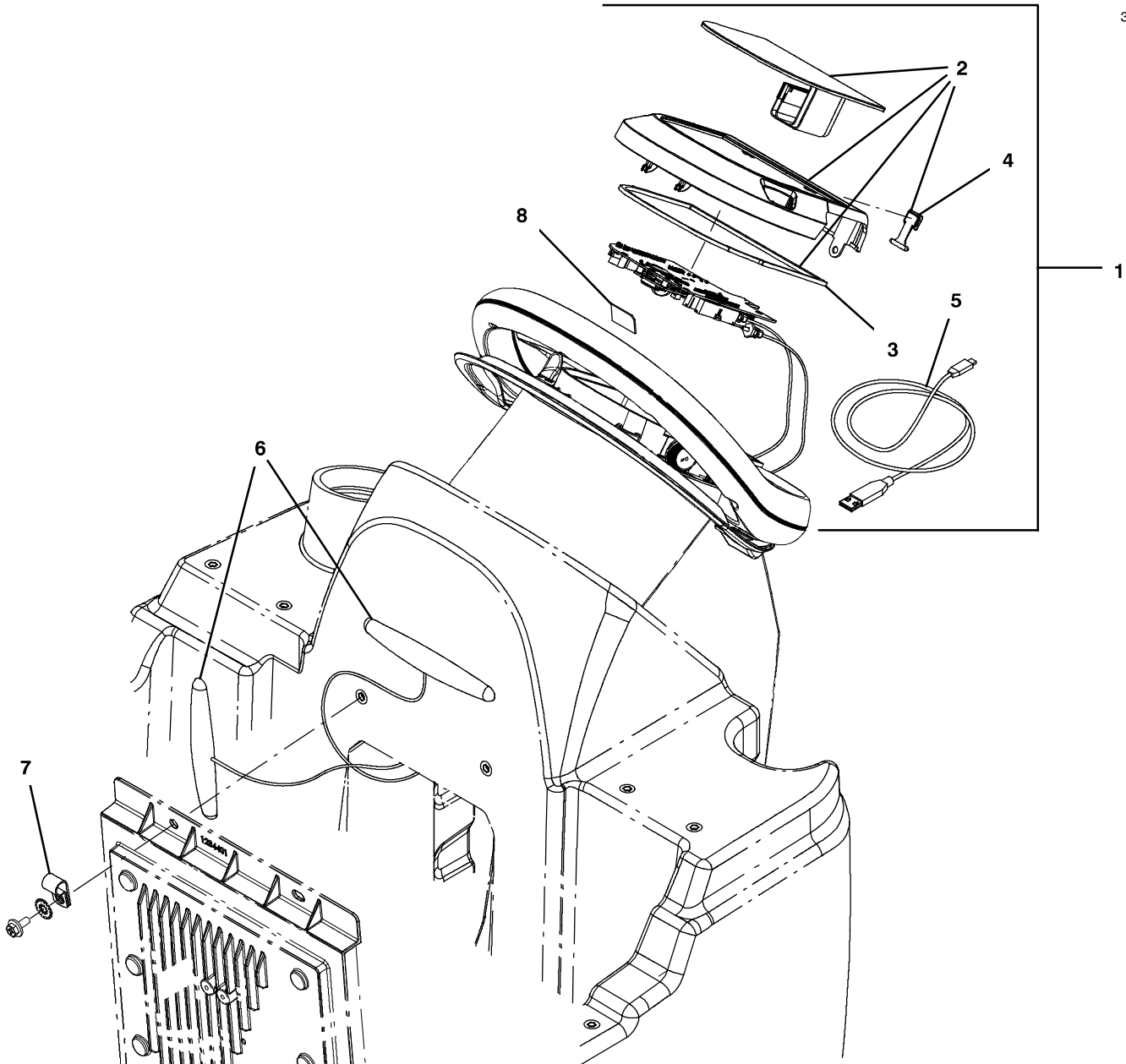
** Before Ordering Screen Kit Confirm Screen Visually Matches Correct Screen Image.

▽ ASSEMBLY

▲ INCLUDED IN ASSEMBLY

TELEMETRY GROUP (T600e MODEL)
(S/N 10000000 - 11015346)

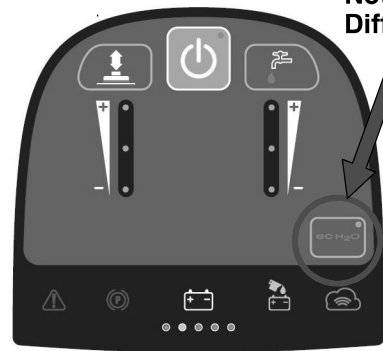
355799



Membrane Not Available
For Replacement



Membrane Replacement
Order 9021628



Note Visual
Difference

**TELEMETRY GROUP (T600e MODEL)
(S/N 10000000 - 11015346)**

Ref.	Part No.	Serial Number	Description	Qty.
▽	1	9016980*	(10000000- 11015346) Bezel Kit, Membrane, Telem, Ci [T600e] (Replaced By 9021604)	1
▲▽	2	N/A**	(10000000- 11015346) Screen Kit, Membrane, Ci (Not Available Separately - Order Kit 9021604)	1
▲▲	3	1245824	(MAR2020- 20000000) Gasket, Console	1
▲▲	4	1205618	(10000000- 20000000) Cap, Usb	1
▲	5	1071235	(10000000- 20000000) Cable [Usb, 2m, A- Male To Mini- B- Male]	1
▲	6	1247522	(10999247- 20000000) Antenna, Telem [4g, 72"]	2
	6	1070659	(10000000- 10999246) Antenna, Telem, 70 In [Gprs]	1
	7	40678	(10999247- 20000000) Clamp, Cable, Stl, 0.44d X 0.62w, 1hole	1
	8	9014186	(10000000- 20000000) Kit, Telem, Ci [Sim, Usa, T300]	1
	8	9014187	(10000000- 20000000) Kit, Telem, Ci [Sim, Intl, T300]	1

* Requires Tennant *True* service or an authorized Tennant service provider.

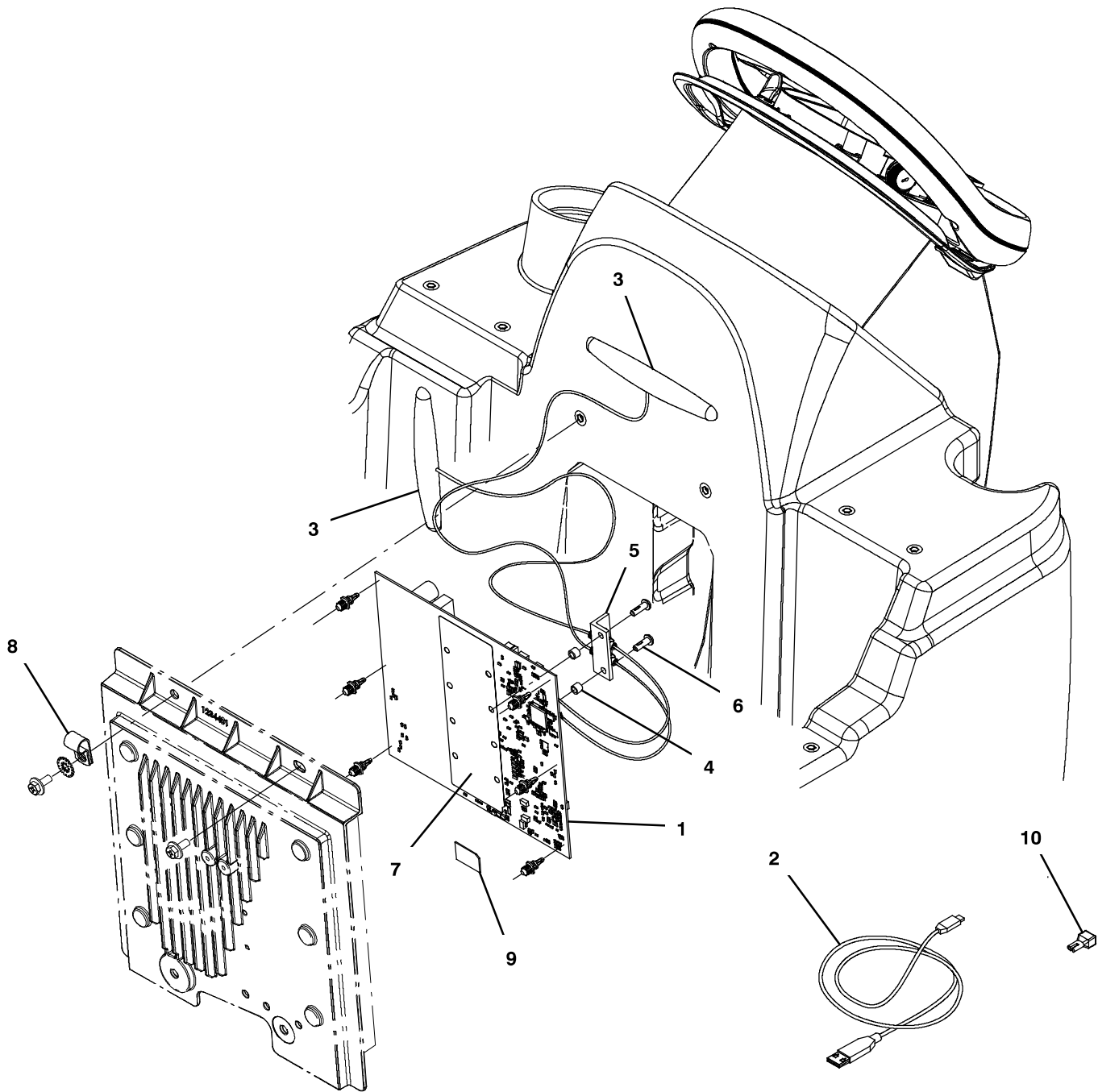
** Before Ordering Screen Kit Confirm Screen Visually Matches Correct Screen Image.

▽ ASSEMBLY

▲ INCLUDED IN ASSEMBLY

TELEMETRY GROUP (T600 MODEL)

355800



TELEMETRY GROUP (T600 MODEL)

Ref.	Part No.	Serial Number	Description	Qty.
▽	1	9015787*	(10000000- 20000000) Kit, Control Board, Telem, Ci [T500 T600] (N. America)	1
▲		27964	(10000000- 20000000) Strap, Ground, Static, Disposable	1
▲	2	1071235	(10000000- 20000000) Cable [Usb, 2m, A- Male To Mini- B- Male]	1
▲	3	1247569	(10999247- 20000000) Antenna, Telem [4g, 36"]	2
	3	315724	(10000000- 10999246) Antenna, Telem, 18.0 In [Gprs]	1
▽	1	9017503*	(30000000- 40000000) Circuitboard Kit, W/Telem, Ci [T600 Intl]	1
▲		27964	(30000000- 40000000) Strap, Ground, Static, Disposable	1
▲	2	1071235	(30000000- 40000000) Cable [Usb, 2m, A- Male To Mini- B- Male]	1
▲	3	1247569	(10999247- 20000000) Antenna, Telem [4g, 36"]	1
	3	315724	(10000000- 10999246) Antenna, Telem, 18.0 In [Gprs]	1
	4	1227815	(10000000- 20000000) Spacer, Unthreaded, Aluminium	2
	5	1227812	(10000000- 20000000) Bracket, Sma Connector	1
	6	1205799	(10000000- 20000000) Screw, Btn, M5 X 0.8 X 16, 8.8, NI, Torx	2
	7	1220930	(10000000- 20000000) Circuitboard, Silpad [T500, Main Scrub]	1
	8	40678	(10000000- 20000000) Clamp, Cable, Stl, 0.44d X 0.62w, 1hole	1
	9	9014186	(10000000- 20000000) Kit, Telem, Ci [Sim, Usa, T300]	1
	9	9014187	(10000000- 20000000) Kit, Telem, Ci [Sim, Intl, T300]	1
	10	222290	(10000000- 20000000) Diode, Ele, Plug	1

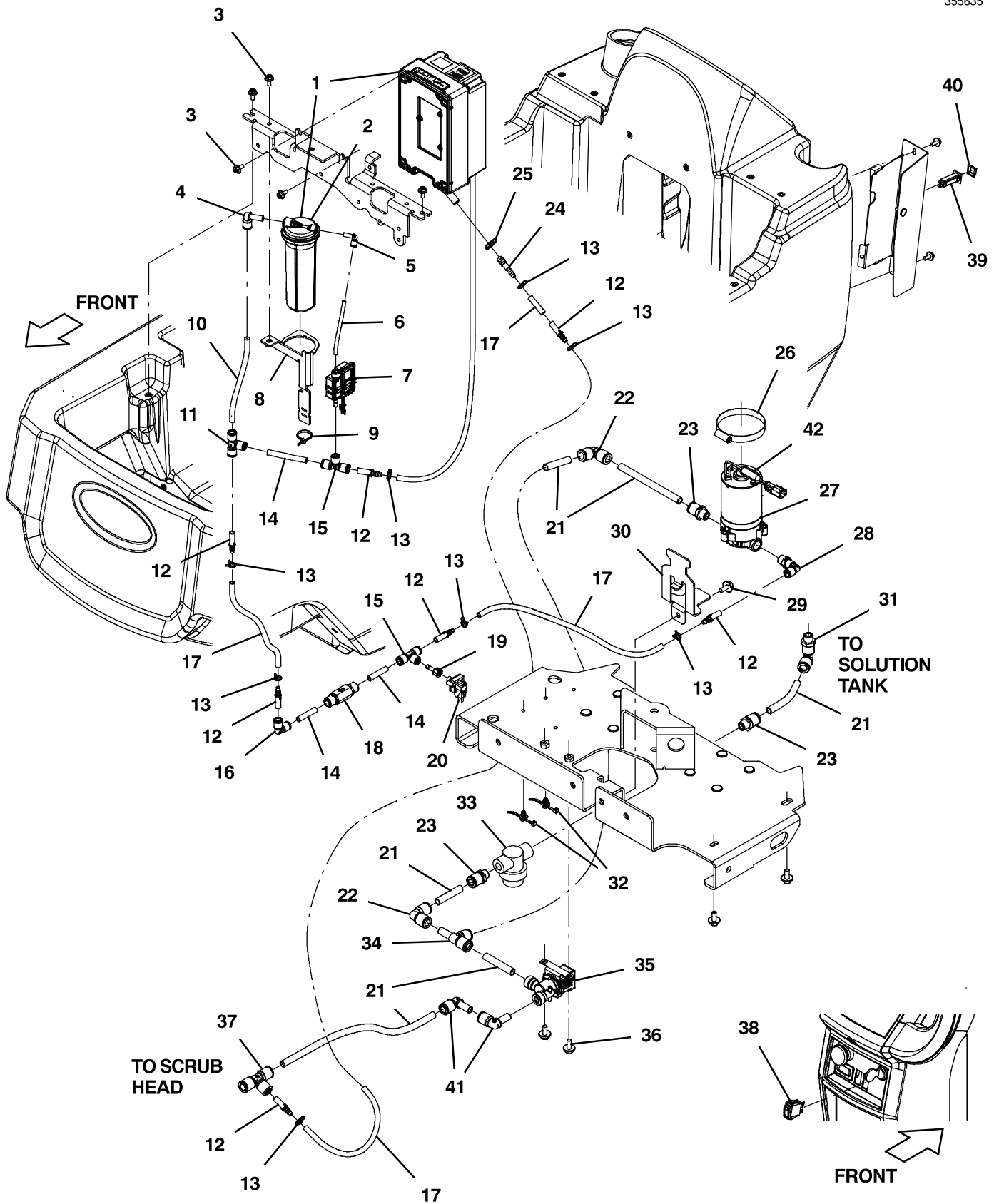
* Requires Tennant *True* service or an authorized Tennant service provider.

▽ ASSEMBLY

▲ INCLUDED IN ASSEMBLY

ec-H2O SOLUTION GROUP

355635



ec-H2O SOLUTION GROUP

Ref.	Part No.	Serial Number	Description	Qty.
▽	1	9020643*	(10997531- 20000000) Module Kit, Replmt [Ec- H2o, B 02] (See Breakdowns)	1
	1	9011810*	(10000000- 10997530) Module Kit, Replmt [Ec- H2o, B 02] (See Breakdowns) (Replaced By 9020643)	1
▲	2	9013646	(10000000- 20000000) Cartridge, Ec- H2o Nanoclean Wcm, 270ml	1
	3	1034731	(10000000- 20000000) Screw, Hex, M6 X 1.00 X 16, Sems, Ss	4
	4	1215186	(10000000- 20000000) Fitting, Plstc, E90, Qf06/Qm06	1
	5	1214339	(10000000- 20000000) Fitting, Plstc, E90, Qfo4/Qm04	1
	6	9014147	(10000000- 20000000) Hose, Afmkt, Pvc, 0.06id .25od, 05ft	1
	7	1216973	(10000000- 20000000) Pump Assy, Dispenser	1
	8	1221926	(10000000- 20000000) Bracket Wldt, Mtg, Ec- H20 [T500]	1
	9	130773	(10000000- 20000000) Tie, Cable, Nyl, 11.0l, .14w, 3.0 Max. D	1
	10	9014146	(10000000- 20000000) Hose, Afmkt, Pvc, 0.06id .38od, 05ft	1
	11	1212573	(10000000- 20000000) Fitting, Plstc, Tee, Qf06/Qf06/Qf06	1
	12	1212857	(10000000- 20000000) Fitting, Plstc, Str, Qm06/Bm04	6
	13	613735	(10000000- 20000000) Clamp, Hose, Wir, .40 - .42, Yel	7
	14	9014148	(10000000- 20000000) Hose, Afmkt, Nat, 0.25id 0.375od, 06ft	1
	15	1212855	(10000000- 20000000) Fitting, Plstc, Tee, Qf04/Qf06/Qf06	2
	16	1212856	(10000000- 20000000) Fitting, Plstc, E90, Qf06/Qf06	1
	17	1014985	(10000000- 20000000) Hose, Afmkt, Pvc, Clr, 0.25id, 08ft	1
	18	1215527	(10000000- 20000000) Valve, Check, 1.0 Psi Qf06/Qf06	1
	19	1231855	(10000000- 20000000) Fitting, Plstc, Str, Qm04/Pf02	1
	20	1044415	(10000000- 20000000) Switch, Press, 20psi, Pm02	1
	21	9014145	(10000000- 20000000) Hose, Afmkt, Pe, .375id .50od, 05ft	1
	22	1221945	(10000000- 20000000) Fitting, Plstc, E90, Qf08/Qf08	2
	23	1212813	(10000000- 20000000) Fitting, Plstc, Str, Qf08/Pm06	3
	24	1039557	(10000000- 20000000) Fitting, Plstc, Str, Bm04/Bm06	1
	25	607775	(10000000- 20000000) Clamp, Hose, Wir, .63 - .66, Blk	1
	26	43555	(10000000- 20000000) Clamp, Hose, Wormdrive, 2.62- 3.50d	1
	27	1210517	(10000000- 20000000) Pump, Soltn, Ele, 24vdc, 35 Psi	1
	28	1212812	(10000000- 20000000) Fitting, Plstc, E90, Qf06/Pm06, Swivel	1
	29	1020341	(10000000- 20000000) Screw, Hex, M8 X 1.25 X 20, Ss, Sems	1
	30	1229972	(10000000- 20000000) Bracket, Mtg, Pump	1
	31	1243587	(10922118- 20000000) Fitting, Brs, E90, Qf08/Pm06, Swivel	1
	31	1212987	(10000000- 10922117) Fitting, Plstc, E90, Qf08/Pm06, Swivel (Replaced By 1243587)	1
	32	1210807	(10000000- 20000000) Wire, Tie [W/.25" Fir Tree Clip]	2
▽	33	1211537	(10000000- 20000000) Filter, In- Line, Pf06/Pf06 080m 2.6l Epd	1
▲		1218885	(10000000- 20000000) Gasket [Epdm, F/1211537]	1
▲		1218883	(10000000- 20000000) Screen, Fltr, 80 Mesh, Ss [Fine, White]	1
▲		613991	(10000000- 20000000) Bowl, Clr, Short, F/1005302	1
	34	1212806	(10000000- 20000000) Fitting, Plstc, Tee, Qf08/Qf08/Qm08	1
	35	1228697	(10000000- 20000000) Valve, Water, Solenoid, 36vdc Qf08/Qf08	1
	36	1020341	(10000000- 20000000) Screw, Hex, M8 X 1.25 X 20, Ss, Sems	2
	37	1212875	(10000000- 20000000) Fitting, Plstc, Tee, Qf06/Qf08/Qf08	1
	38	1044393	(10000000- 20000000) Switch, Rocker, Spst, Mom (ecH2O Option)	1
	39	1064187	(10000000- 20000000) Circuitbreaker, 10.0a, Resetable (ecH2O Option)	1
	40	1064191	(10000000- 20000000) Boot, Circuitbreaker	1
	41	1212809	(10000000- 20000000) Fitting, Plstc, E90, Qf08/Qm08	2
	42	1227867	(10963451- 20000000) Inductor, Ferrite [Split Case,407@100hz]	1

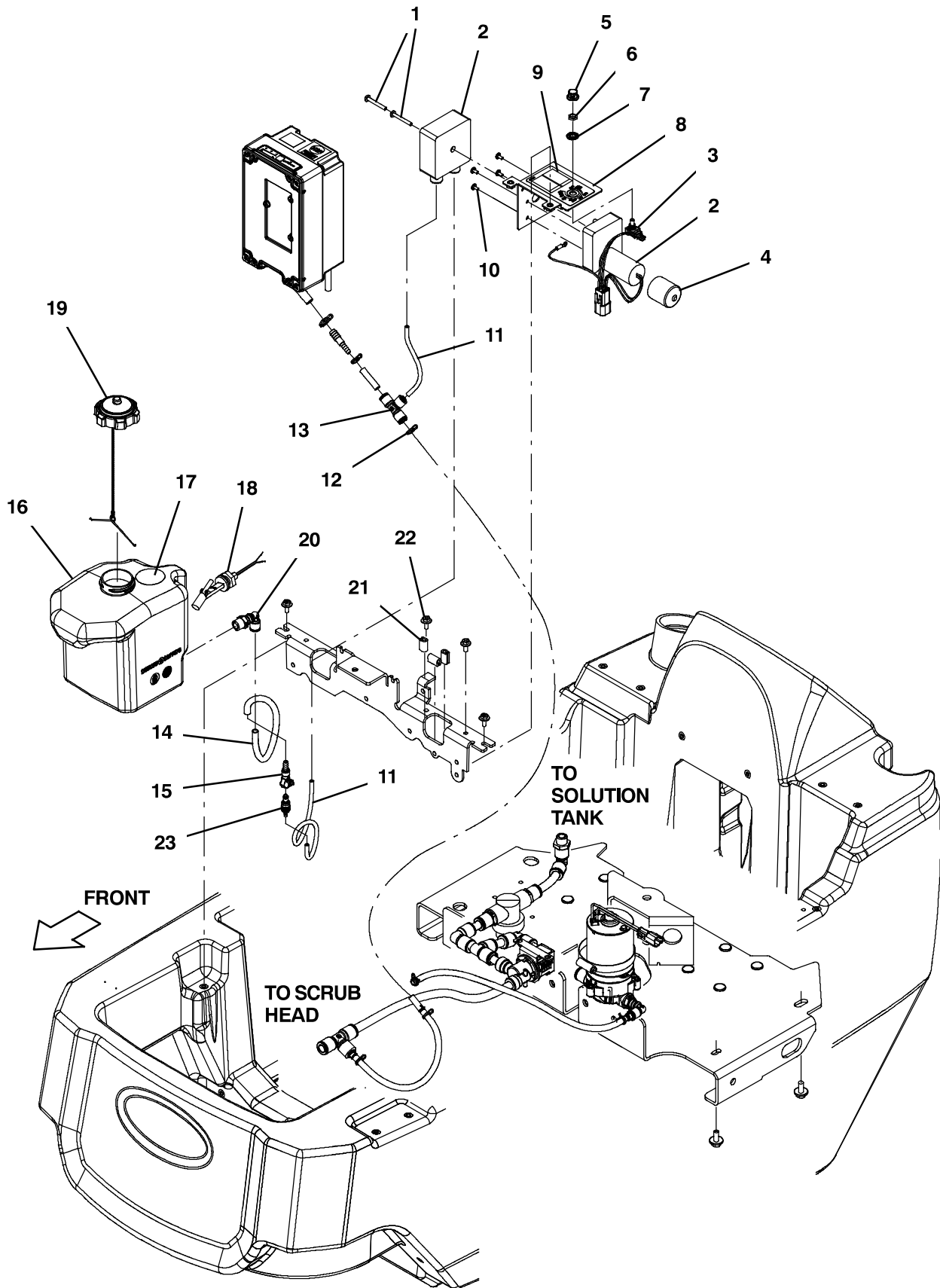
* Requires Tennant *True* service or an authorized Tennant service provider.

▽ ASSEMBLY

▲ INCLUDED IN ASSEMBLY

SEVERE ENVIRONMENT SOLUTION GROUP (T600 MODEL)

355636



SEVERE ENVIRONMENT SOLUTION GROUP (T600 MODEL)

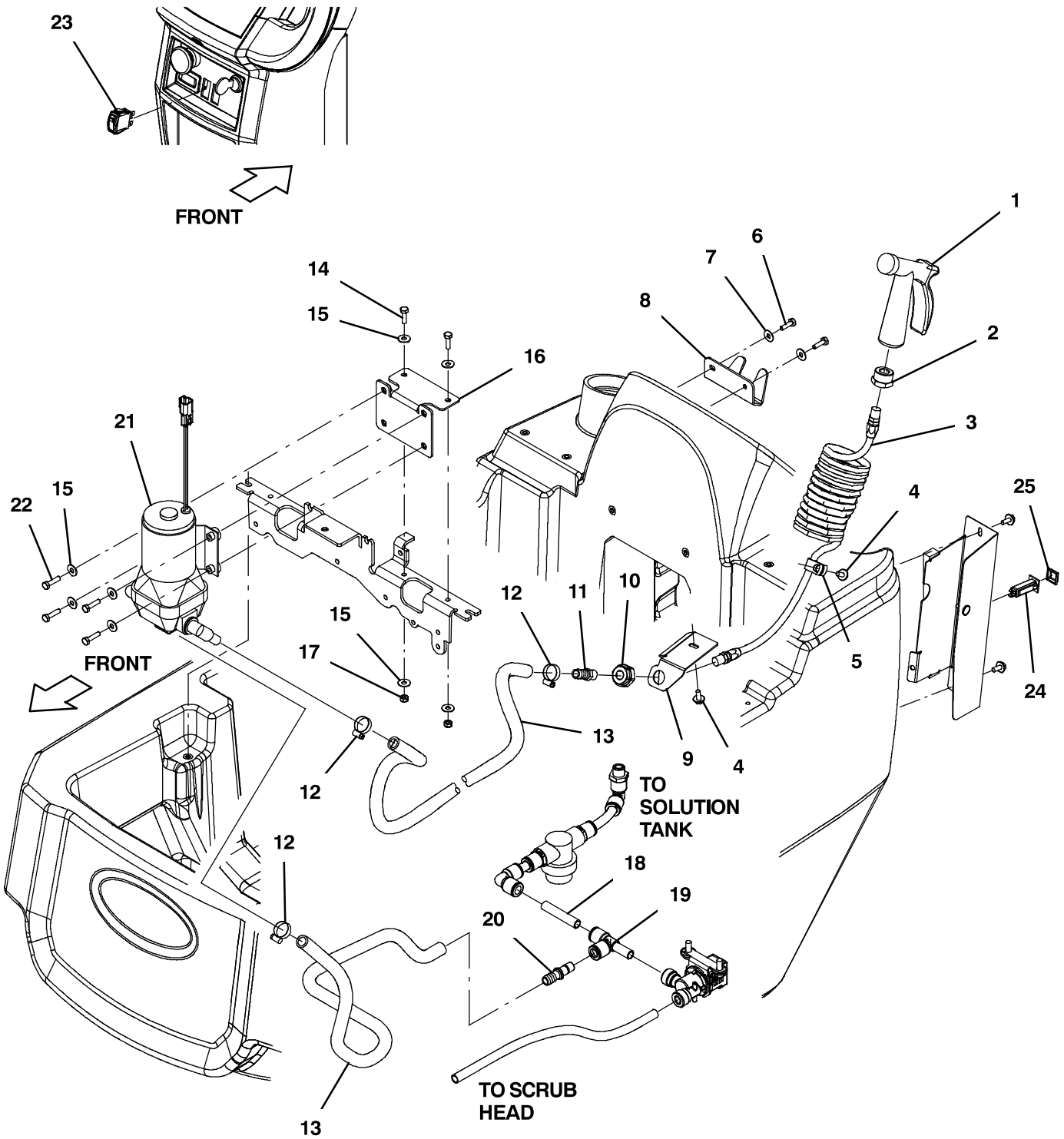
Ref.	Part No.	Serial Number	Description	Qty.
	1	17185	(10000000- 20000000) Screw, Pan, Phl, M5 X 0.80 X 40, Ss	2
▽	2	1215698	(10000000- 20000000) Pump Assy, Detgt, 24 Vdc [T300]	1
▲		1208721	(10000000- 20000000) Pump, Detgt, 24vdc, 120rpm	1
▲		1219077	(10000000- 20000000) Hose Kit, Detgt [0.5cc]	1
▲	3	1211775	(10000000- 20000000) Potentiometer [5k, W/Leads And Conn.]	1
	4	605064	(10000000- 20000000) Cap, Vinyl, 1.38 D 1.6l	1
	5	630265	(10000000- 20000000) Knob, Rnd, 0.75d 0.50l 0.25b, Plstc	1
	6	222607	(10000000- 20000000) Nut, Hex, Thin, .38- 32	1
	7	43953	(10000000- 20000000) Washer, Lock, Int, 0.38, Ss	1
▽	8	9016841	(10000000- 20000000) Bracket, Pump, Detgt, Afmkt [T600]	1
▲	9	1210440	(10000000- 20000000) Label, Opertnl, Detergent Metering	1
	10	609980	(10000000- 20000000) Screw, Trs, Phl, 08- 32 X 0.38, Sems	4
	11	613461	(10000000- 20000000) Hose, Pvc, Clr, 0.12id 0.25od 048.0l	1
	12	613735	(10000000- 20000000) Clamp, Hose, Wir, .40 - .42, Yel	1
	13	1212855	(10000000- 20000000) Fitting, Plstc, Tee, Qf04/Qf06/Qf06	1
	14	1006415	(10000000- 20000000) Hose, Afmkt, Pvc, Clr, 0.25id, 03ft	1
	15	1230862	(10000000- 20000000) Fitting, Plstc, Str, Bm04/Cplg Female	1
▽	16	9016842	(10000000- 20000000) Tank, Soltn, 4.0l, Afmkt [T600, Se]	1
▲	17	1224989	(10000000- 20000000) Label, Detergent Metering Tank	1
▲	18	1212430	(10000000- 20000000) Sensor, Level, Liq, 30watt, Spst	1
▲	19	1236124	(10000000- 20000000) Cap, Tank, 2.25 [Blk, Vented W/Lanyard]	1
	20	1212812	(10000000- 20000000) Fitting, Plstc, E90, Qf06/Pm06, Swivel	1
	21	1020168	(10000000- 20000000) Molding, Afmkt, Trim, Pvc, .08 .11, 01ft	1
	22	1034731	(10000000- 20000000) Screw, Hex, M6 X 1.00 X 16, Sems, Ss	2
	23	1230863	(10000000- 20000000) Fitting, Plstc, Str, Bm02/Cplg Male	1

▽ ASSEMBLY

▲ INCLUDED IN ASSEMBLY

RECOVERY TANK RINSE, WITH CONVENTIONAL (T600 MODEL)

355658

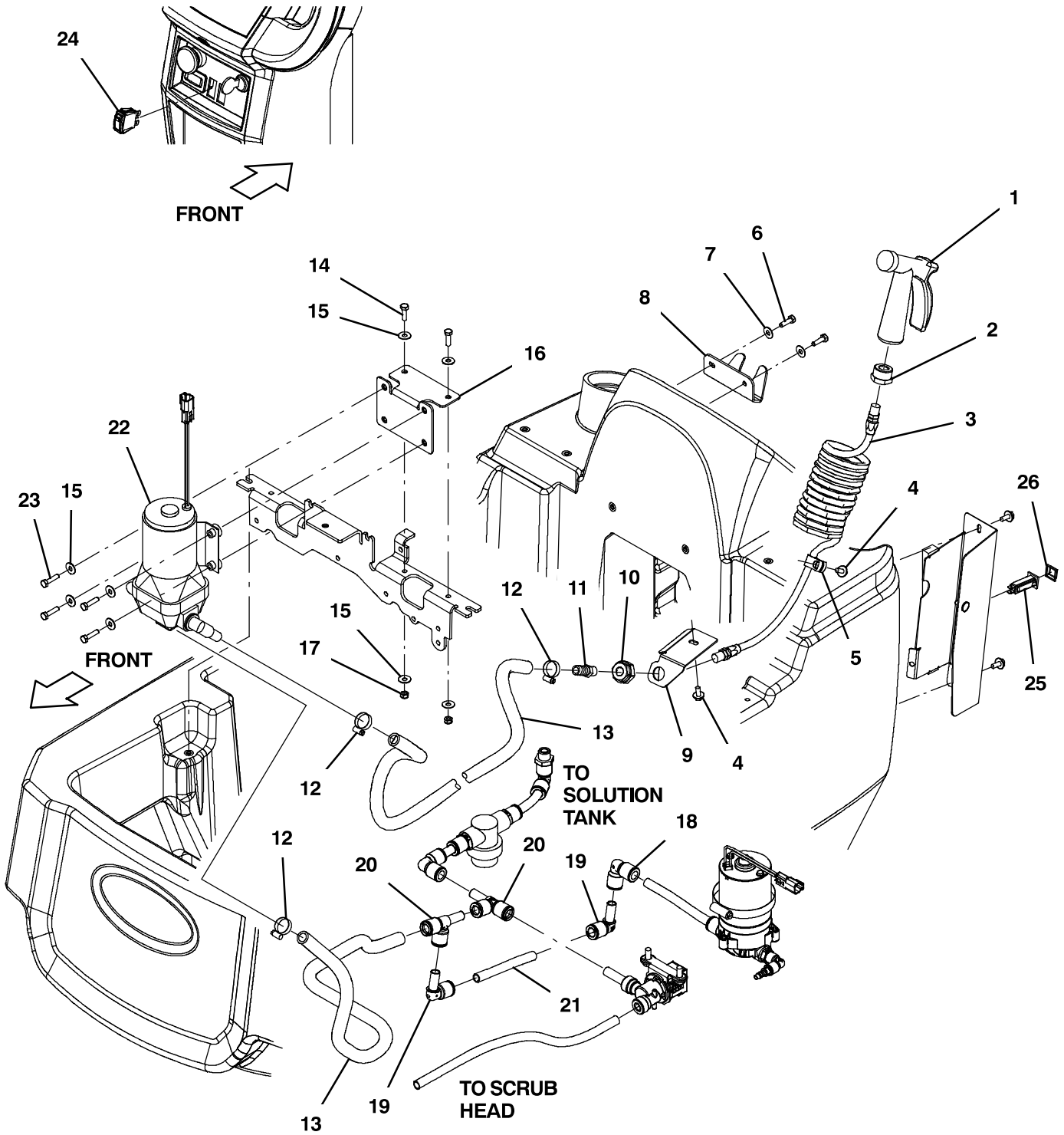


RECOVERY TANK RINSE, WITH CONVENTIONAL (T600 MODEL)

Ref.	Part No.	Serial Number	Description	Qty.
1	769785	(10000000- 20000000)	Nozzle, Spray, Hand	1
2	1220554	(10000000- 20000000)	Fitting, Brs, Str, Pf04/Garden Hose	1
3	160132	(10000000- 20000000)	Hose Assy, 0.25id X 12ft Coil	1
4	1034731	(10000000- 20000000)	Screw, Hex, M6 X 1.00 X 16, Sems, Ss	2
5	40678	(10000000- 20000000)	Clamp, Cable, Stl, 0.44d X 0.62w, 1hole	1
6	12277	(10000000- 20000000)	Screw, Hex, M6 X 1.00 X 20, NI, Ss	2
7	01684	(10000000- 20000000)	Washer, Flat, 0.27b 0.69d .05, Ss	2
8	1228493	(10000000- 20000000)	Bracket, Nozzle, Spray	1
9	1230338	(10000000- 20000000)	Bracket, Mtg, Hose	1
10	78122	(10000000- 20000000)	Fitting, Brs, Str, Pm08/Pf04	1
11	1010775	(10000000- 20000000)	Fitting, Plstc, Str, Bm08/Pm04, Nyl	1
12	54333	(10000000- 20000000)	Clamp, Hose, Wormdrive, 0.31- 0.88d, .31w	3
13	1011837	(10000000- 20000000)	Hose, Afmkt, Pvc, Brd, 0.50id, 12ft, Clr	1
14	08716	(10000000- 20000000)	Screw, Hex, M6 X 1.00 X 20, Ss	2
15	01684	(10000000- 20000000)	Washer, Flat, 0.27b 0.69d .05, Ss	8
16	1233232	(10000000- 20000000)	Bracket Wldt, Pump, Spray	1
17	08712	(10000000- 20000000)	Nut, Hex, Lock, M5 X 0.80, NI, Ss	2
18	9014145	(10000000- 20000000)	Hose, Afmkt, Pe, .375id .50od, 05ft (Bulk 1212862)	1
19	1212806	(10000000- 20000000)	Fitting, Plstc, Tee, Qf08/Qf08/Qm08	1
20	1212807	(10000000- 20000000)	Fitting, Plstc, Str, Qm08/Bm08	1
21	1054178	(10000000- 20000000)	Pump, Soltn, Ele, 36vdc, 45psi	1
22	1016005	(10000000- 20000000)	Screw, Hex, M6 X 1.00 X 25, NI, FI, Ss	2
23	1044393	(10000000- 20000000)	Switch, Rocker, Spst, Mom (Rinse Option)	1
24	1064188	(10000000- 20000000)	Circuitbreaker, 15.0a, Resetable (Rinse Option)	1
25	1064191	(10000000- 20000000)	Boot, Circuitbreaker	1

RECOVERY TANK RINSE, WITH ec-H2O (T600 MODEL)

355639

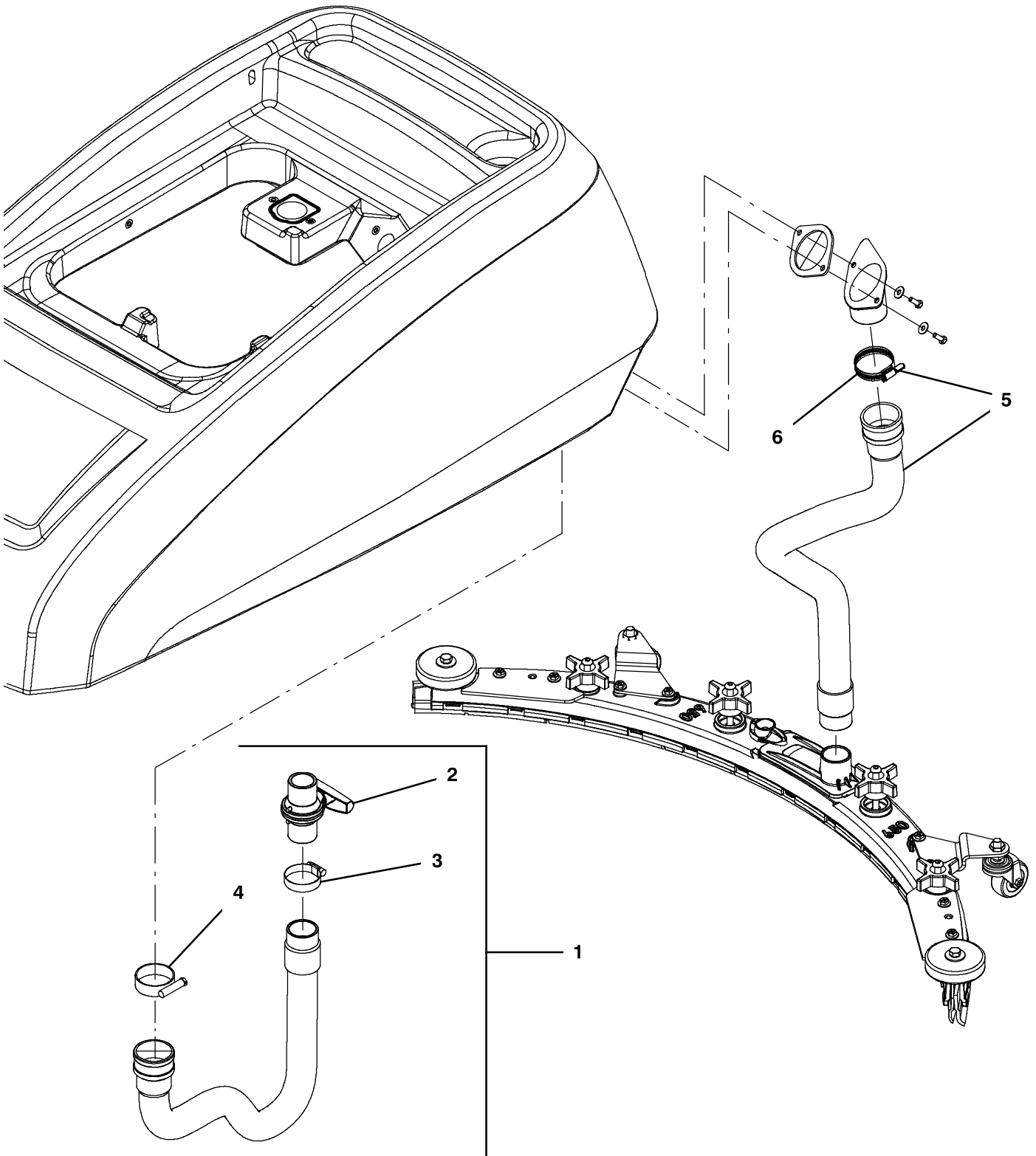


RECOVERY TANK RINSE, WITH ec-H2O (T600 MODEL)

Ref.	Part No.	Serial Number	Description	Qty.
1	769785	(10000000- 20000000)	Nozzle, Spray, Hand	1
2	1220554	(10000000- 20000000)	Fitting, Brs, Str, Pf04/Garden Hose	1
3	160132	(10000000- 20000000)	Hose Assy, 0.25id X 12ft Coil	1
4	1034731	(10000000- 20000000)	Screw, Hex, M6 X 1.00 X 16, Sems, Ss	2
5	40678	(10000000- 20000000)	Clamp, Cable, Stl, 0.44d X 0.62w, 1hole	1
6	12277	(10000000- 20000000)	Screw, Hex, M6 X 1.00 X 20, NI, Ss	2
7	01684	(10000000- 20000000)	Washer, Flat, 0.27b 0.69d .05, Ss	2
8	1228493	(10000000- 20000000)	Bracket, Nozzle, Spray	1
9	1230338	(10000000- 20000000)	Bracket, Mtg, Hose	1
10	78122	(10000000- 20000000)	Fitting, Brs, Str, Pm08/Pf04	1
11	1010775	(10000000- 20000000)	Fitting, Plstc, Str, Bm08/Pm04, Nyl	1
12	54333	(10000000- 20000000)	Clamp, Hose, Wormdrive, 0.31- 0.88d, .31w	3
13	1011837	(10000000- 20000000)	Hose, Afmkt, Pvc, Brd, 0.50id, 12ft, Clr	1
14	08716	(10000000- 20000000)	Screw, Hex, M6 X 1.00 X 20, Ss	2
15	01684	(10000000- 20000000)	Washer, Flat, 0.27b 0.69d .05, Ss	8
16	1233232	(10000000- 20000000)	Bracket Wldt, Pump, Spray	1
17	08712	(10000000- 20000000)	Nut, Hex, Lock, M5 X 0.80, NI, Ss	2
18	1221945	(10000000- 20000000)	Fitting, Plstc, E90, Qf08/Qf08	1
19	1212809	(10000000- 20000000)	Fitting, Plstc, E90, Qf08/Qm08	2
20	1212806	(10000000- 20000000)	Fitting, Plstc, Tee, Qf08/Qf08/Qm08	2
21	9014145	(10000000- 20000000)	Hose, Afmkt, Pe, .375id .50od, 05ft (Bulk 1212862)	1
22	1054178	(10000000- 20000000)	Pump, Soltn, Ele, 36vdc, 45psi	1
23	1016005	(10000000- 20000000)	Screw, Hex, M6 X 1.00 X 25, NI, FI, Ss	4
24	1044393	(10000000- 20000000)	Switch, Rocker, Spst, Mom (Rinse Option)	1
25	1064188	(10000000- 20000000)	Circuitbreaker, 15.0a, Resetable (Rinse Option)	1
26	1064191	(10000000- 20000000)	Boot, Circuitbreaker	1

RECOVERY TANK HOSE GROUP, VALVE

355611



RECOVERY TANK HOSE GROUP, VALVE

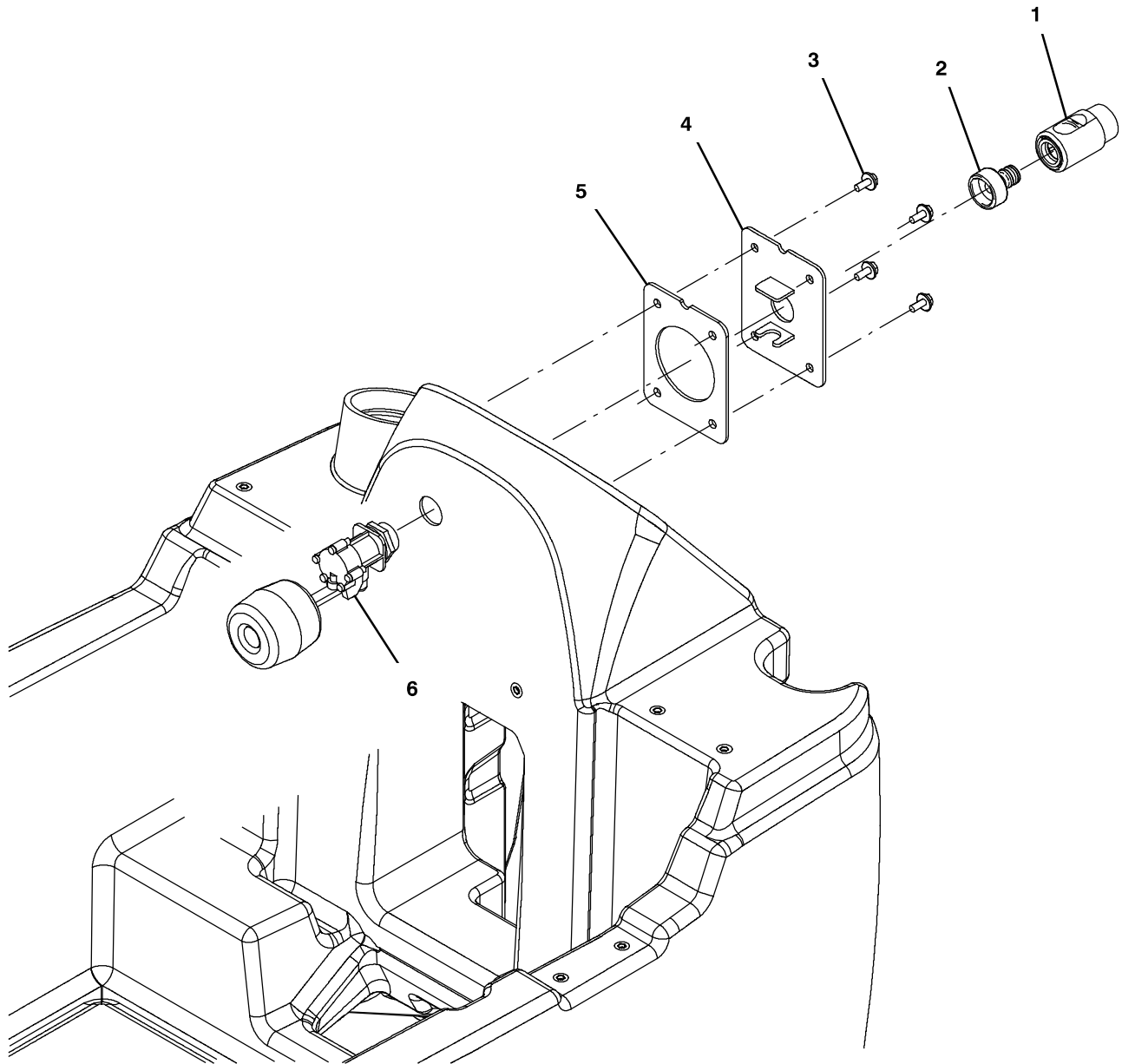
	Ref.	Part No.	Serial Number	Description	Qty.
▽	1	9017510	(10000000- 10950167)	Hose Kit, Drain, W/Valve, Pu, Ci [T600] (Gray) (Replaced By 9017507 - PVC Black Pinch Hose Twist Cap)	1
▲	2	1051986	(10000000- 10950167)	Valve, Ball, 2way, 1.0id Pvc, W/Handle (Replaced By 9017507 - PVC Black Pinch Hose Twist Cap)	1
▲	3	11531	(10000000- 20000000)	Clamp, Hose, Wormdrive, 1.06- 2.00d, .56w	1
▲	4	22297	(10000000- 20000000)	Clamp, Hose, Wormdrive, 1.56- 2.50d, .50w	1
▽	5	9017506	(10000000- 10950167)	Hose Kit, Recvy, Pu, Ci [T600/T600e] (Gray) (Replaced By 9017505 - PVC Black Hose)	1
▲	6	1243301	(10000000- 20000000)	Clamp, Wormdrive, 2.0d, .56w	1

▽ ASSEMBLY

▲ INCLUDED IN ASSEMBLY

SOLUTION TANK AUTO-FILL KIT

355616



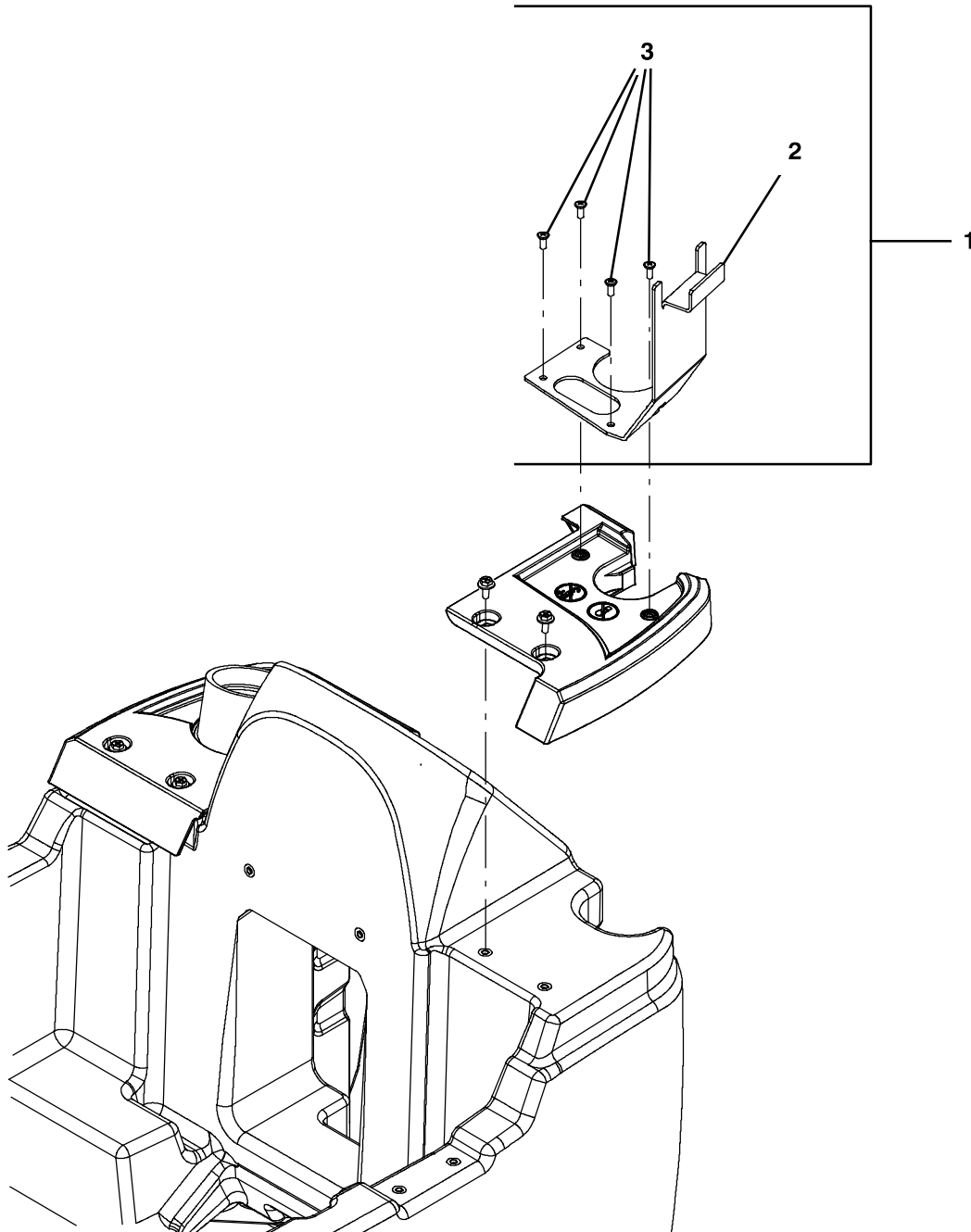
Ref.	Part No.	Serial Number	Description	Qty.
▽	9042171	(10000000- 20000000)	Parts Kit, Autofill, Ci [T600e]	1
▲	1 1227512	(10000000- 20000000)	Fitting, Plstc, Qd, Female	1
▲	2 1227400	(10000000- 20000000)	Fitting, Plstc, Qd, Male	1
▲	3 1034731	(10000000- 20000000)	Screw, Hex, M6 X 1.00 X 16, Sems, Ss	4
▲	4 1231938	(10000000- 20000000)	Bracket Wldt, Fill, Auto	1
▲	5 1228286	(10000000- 20000000)	Gasket, Bracket, Fill, Auto	1
▲	6 1219566	(10000000- 20000000)	Valve, Float, 6.7gpm	1

▽ ASSEMBLY

▲ INCLUDED IN ASSEMBLY

TALL WET FLOOR SIGN HANGER KIT

355664



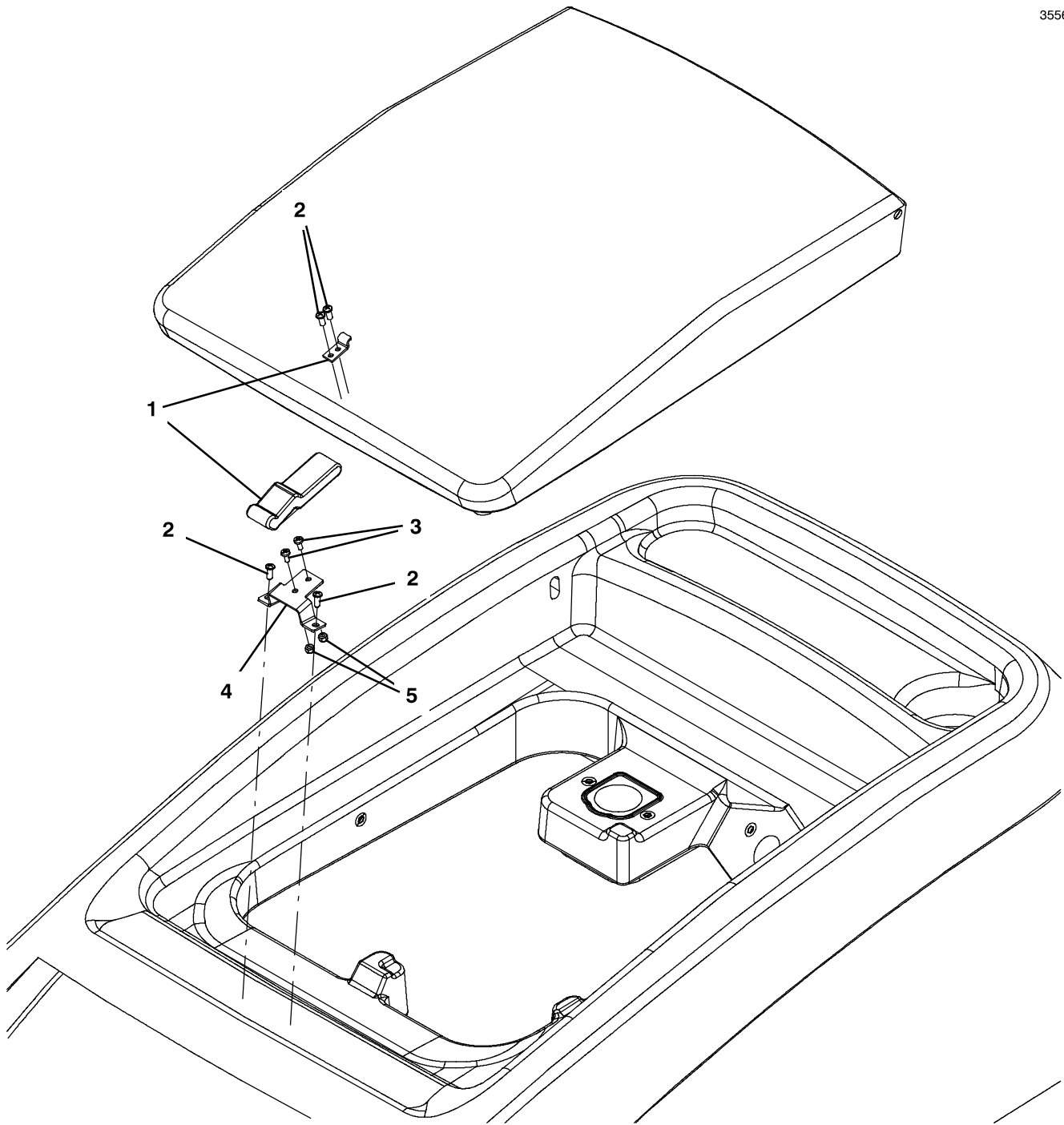
	Ref.	Part No.	Serial Number	Description	Qty.
▽	1	9016988	(10000000- 20000000)	Support Kit, Sign, Ci [T600]	1
▲	2	1237354	(10000000- 20000000)	Bracket Wldt, Hanger, Sign [T600]	1
▲	3	360973	(10000000- 20000000)	Screw, Pan, Phl, 12- 16 X 0.50, F/ Plstc	4

▽ ASSEMBLY

▲ INCLUDED IN ASSEMBLY

TRANSPORT KIT

355621



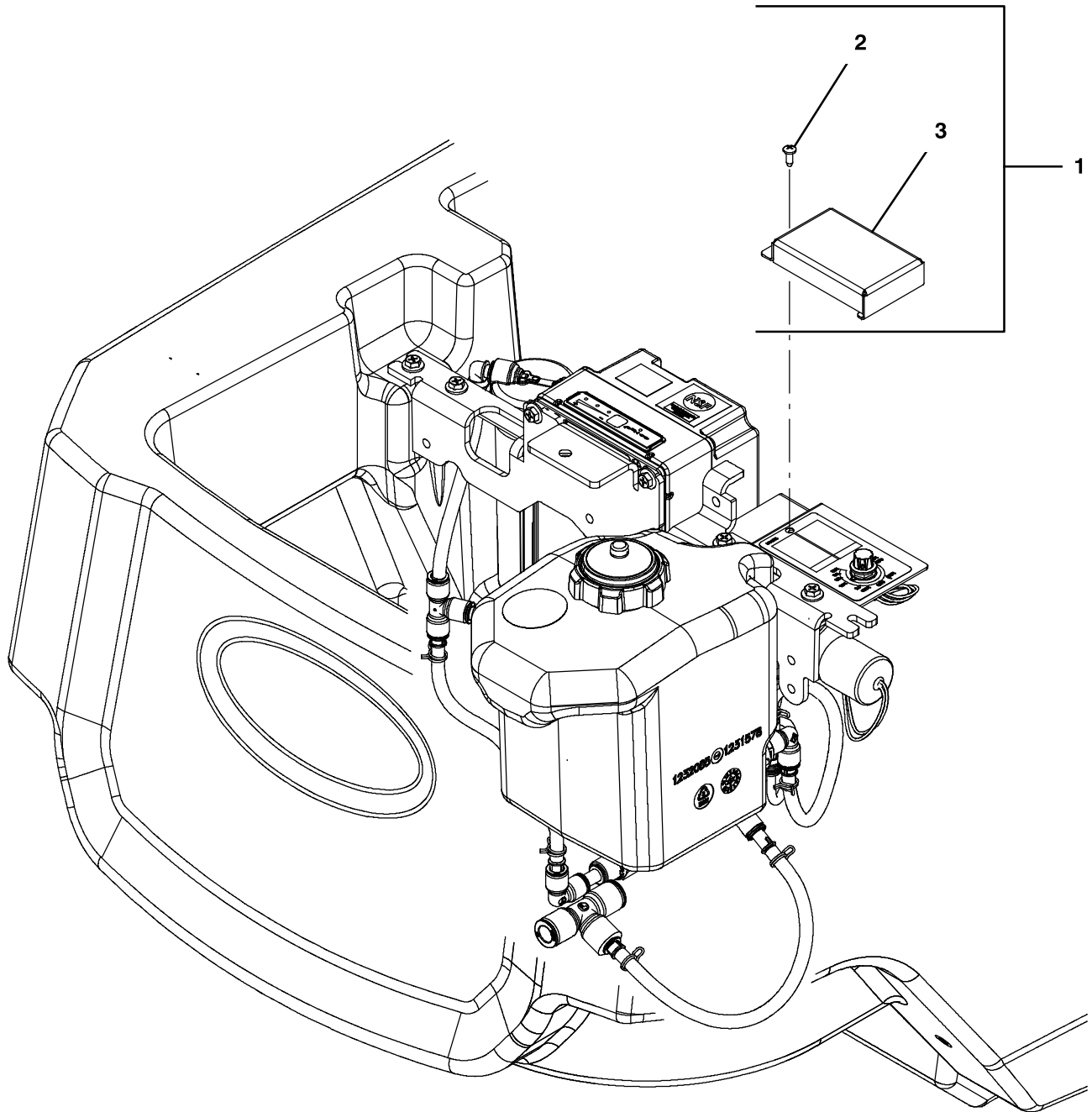
Ref.	Part No.	Serial Number	Description	Qty.
▽	9042166	(10000000- 20000000)	Transport Kit, Ci [T600/T600e]	1
▲ 1	140932	(10000000- 20000000)	Latch, Draw, Rbr, W/ Keeper, Fr/49800	1
▲ 2	140825	(10000000- 20000000)	Screw, Pan, Phl, 06 X 0.50, Fmg/Ab, Blk	4
▲ 3	49697	(10000000- 20000000)	Screw, Pan, Phl, M4 X 0.70 X 10, Ss	2
▲ 4	1230140	(10000000- 20000000)	Bracket, Mtg, Latch	1
▲ 5	33932	(10000000- 20000000)	Nut, Hex, Lock, M4 X 0.70, NI, Ss	2

▽ ASSEMBLY

▲ INCLUDED IN ASSEMBLY

SEVERE ENVIRONMENT LOCKOUT KIT (T600 MODEL)

355714



	Ref.	Part No.	Serial Number	Description	Qty.
▽	1	9017884	(10000000- 20000000)	Lockout Kit, Severe Environment	1
▲	2	140350	(10000000- 20000000)	Screw, Pan, Phl, 10- 16 X 0.50, Ss[Typ25]	1
▲	3	1239732	(10000000- 20000000)	Cover, Knob, Severe Enviroment	1

▽ ASSEMBLY

▲ INCLUDED IN ASSEMBLY

DOCUMENTATION GROUP

Ref.	Part No.	Serial Number	Description	Qty.
	9016599	(10000000- 20000000)	Manual, Parts [T600/T600e, Na]	1
	9016600	(10000000- 20000000)	Manual, Oprtr [T600/T600e, En,Na]	1
	9016601	(10000000- 20000000)	Manual, Oprtr [T600/T600e, Es,Na]	1
	9016602	(10000000- 20000000)	Manual, Oprtr [T600/T600e, Fr,Na]	1
	9016603	(10000000- 20000000)	Manual, Oprtr [T600/T600e, Ptbr]	1
	9016604	(10000000- 20000000)	Instr, Wall Chart [T600/T600e, Na]	1
	9016605	(10000000- 20000000)	Manual, Service [T600/T600e, En]	1

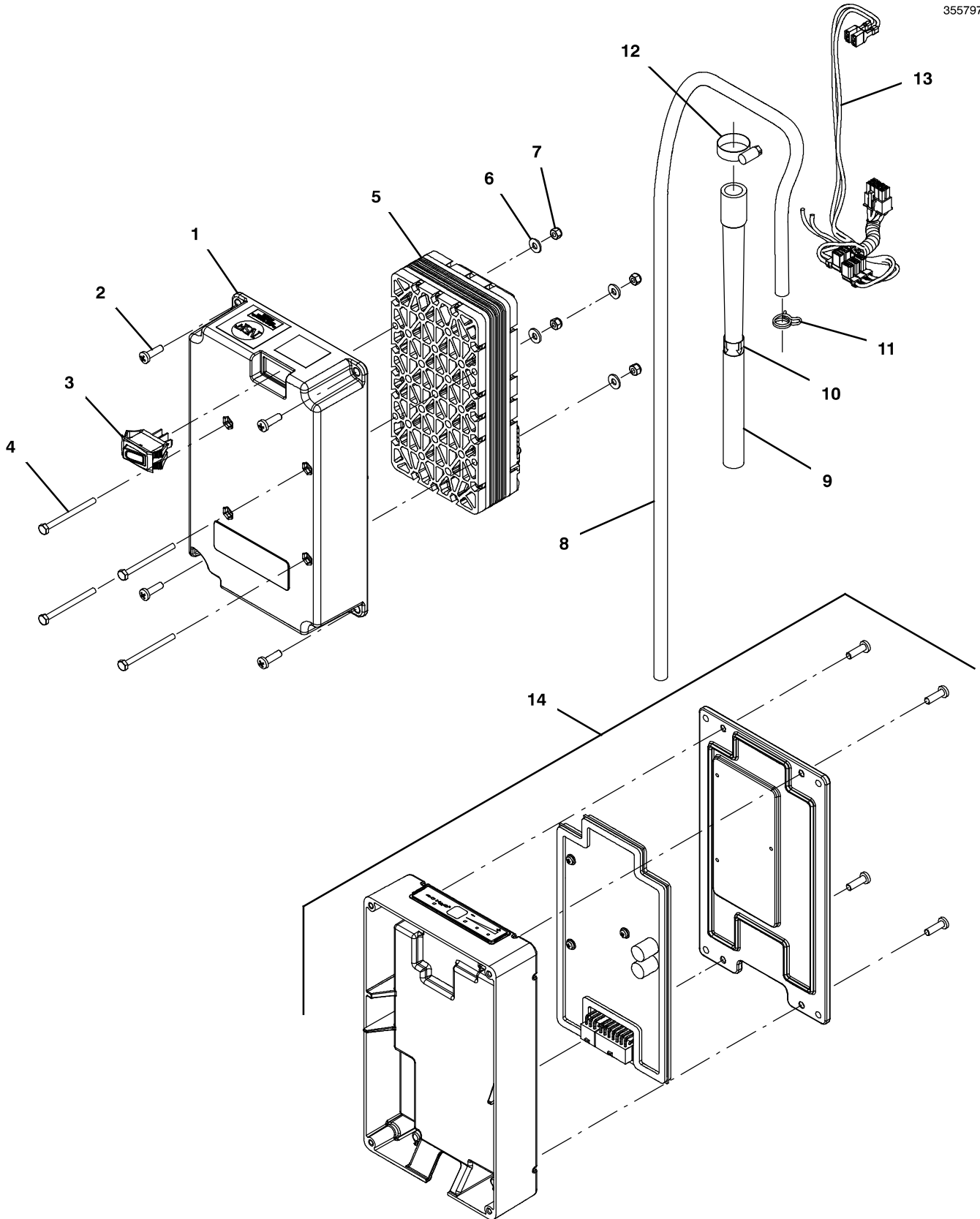


To view, print, order, download the latest Parts manual, other language Operator manuals, and Use and Care Guides (wall charts), visit:

www.tennantco.com/manual

ec- H2O NANOCLEAN MODULE BREAKDOWN 9020643
(S/N 10997531 -)

355797



**ec- H2O NANOCLEAN MODULE BREAKDOWN 9020643
(S/N 10997531 -)**

Ref.	Part No.	Serial Number	Description	Qty.
▽	9020643*	(10997531- 20000000)	Module Kit, Replmt [Ec- H2o, B 02] (Includes ec- H2O NanoClean Cartridge)	1
▲▽	9014126	(10000000- 20000000)	Ec- H2o Nc Kit [Module B, Plumbing]	1
▲▲	1 1208823	(10000000- 20000000)	Housing, Module, Upper, Ec- H2o	1
▲▲	2 1015506	(10000000- 20000000)	Screw, Pan, Phl, M5 X 16, Tcut [Plastic]	4
▲▲	3 1044393	(10000000- 20000000)	Switch, Rocker, Spst, Mom	1
▲▲	4 32509	(10000000- 20000000)	Screw, Hex, M4 X 0.70 X 50, Ss	4
▲▲	5 1233516	(10997531- 20000000)	Electrode, 5 Plate [De Nora Tech]	1
▲▲	6 41579	(10000000- 20000000)	Washer, Flat, 08, Ss	4
▲▲	7 33932	(10000000- 20000000)	Nut, Hex, Lock, M4 X 0.70, NI, Ss	4
▲▲	8 1006415	(10000000- 20000000)	Hose, Afmkt, Pvc, Clr, 0.25id, 03ft	1
▲▲	9 1208526	(10000000- 20000000)	Hose, Molded, Bm08/Bm06	1
▲▲	10 1049637	(10000000- 20000000)	Label, Direction [Ec- H2o]	1
▲▲	11 613735	(10000000- 20000000)	Clamp, Hose, Wir, .40 - .42, Yel	1
▲▲	12 54333	(10000000- 20000000)	Clamp, Hose, Wormdrive, 0.31- 0.88d, .31w	1
▲▲	13 1073286	(10000000- 20000000)	Harness, Ele, Module B2 [Ec- H2o]	1
▲	14 9020642	(10997531- 20000000)	Controller Kit, Replmt [Ec- H2o Nc] (Includes ec- H2O NanoClean Cartridge)	1

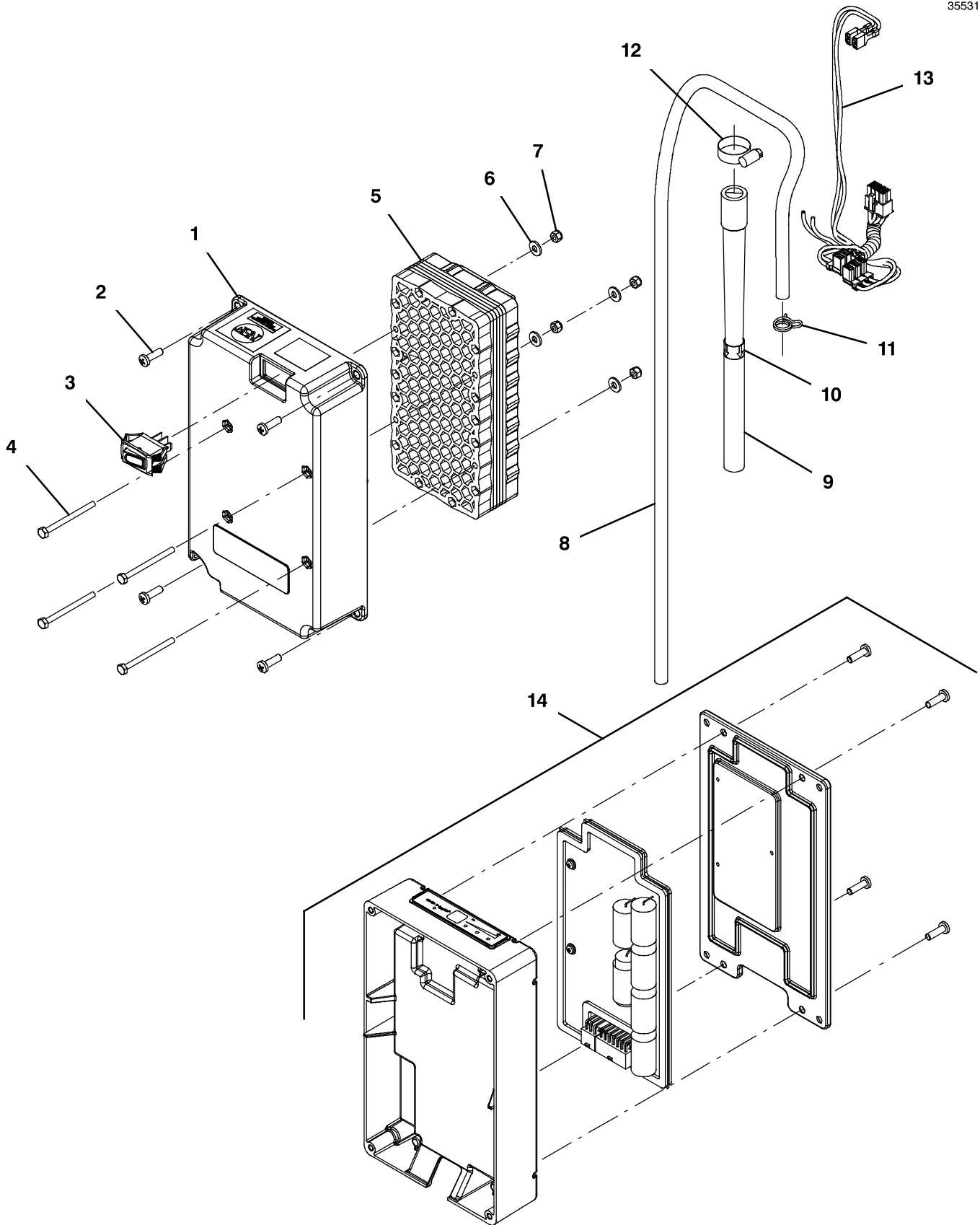
* Requires Tennant *True* service or an authorized Tennant service provider.

▽ ASSEMBLY

▲ INCLUDED IN ASSEMBLY

ec-H2O NANOCLEAN MODULE BREAKDOWN 9011810
(S/N 10000000 - 10997530)

355317



**ec- H2O NANOCLEAN MODULE BREAKDOWN 9011810
(S/N 10000000 - 10997530)**

Ref.	Part No.	Serial Number	Description	Qty.
▽	9011810*	(10000000- 10997530)	Module Kit, Replmt [Ec- H2o, B 02] (Includes ec- H2O NanoClean Cartridge) (Replaced By 9020643)	1
▲▽	9014126	(10000000- 20000000)	Ec- H2o Nc Kit [Module B, Plumbing]	1
▲▲	1 1208823	(10000000- 20000000)	Housing, Module, Upper, Ec- H2o	1
▲▲	2 1015506	(10000000- 20000000)	Screw, Pan, Phl, M5 X 16, Tcut [Plastic]	4
▲▲	3 1044393	(10000000- 20000000)	Switch, Rocker, Spst, Mom	1
▲▲	4 32509	(10000000- 20000000)	Screw, Hex, M4 X 0.70 X 50, Ss	4
▲▲	5 1208164	(10000000- 10997530)	Electrode, 5 Plate, High Flow (Replaced By 1233516)	1
▲▲	6 41579	(10000000- 20000000)	Washer, Flat, 08, Ss	4
▲▲	7 33932	(10000000- 20000000)	Nut, Hex, Lock, M4 X 0.70, NI, Ss	4
▲▲	8 1006415	(10000000- 20000000)	Hose, Afrmkt, Pvc, Clr, 0.25id, 03ft	1
▲▲	9 1208526	(10000000- 20000000)	Hose, Molded, Bm08/Bm06	1
▲▲	10 1049637	(10000000- 20000000)	Label, Direction [Ec- H2o]	1
▲▲	11 613735	(10000000- 20000000)	Clamp, Hose, Wir, .40 - .42, Yel	1
▲▲	12 54333	(10000000- 20000000)	Clamp, Hose, Wormdrive, 0.31- 0.88d, .31w	1
▲▲	13 1073286	(10000000- 20000000)	Harness, Ele, Module B2 [Ec- H2o]	1
▲	14 9014127	(10000000- 10997530)	Controller Kit, Replmt [Ec- H2o Nc] (Includes ec- H2O NanoClean Cartridge) (Replaced By 9020642)	1

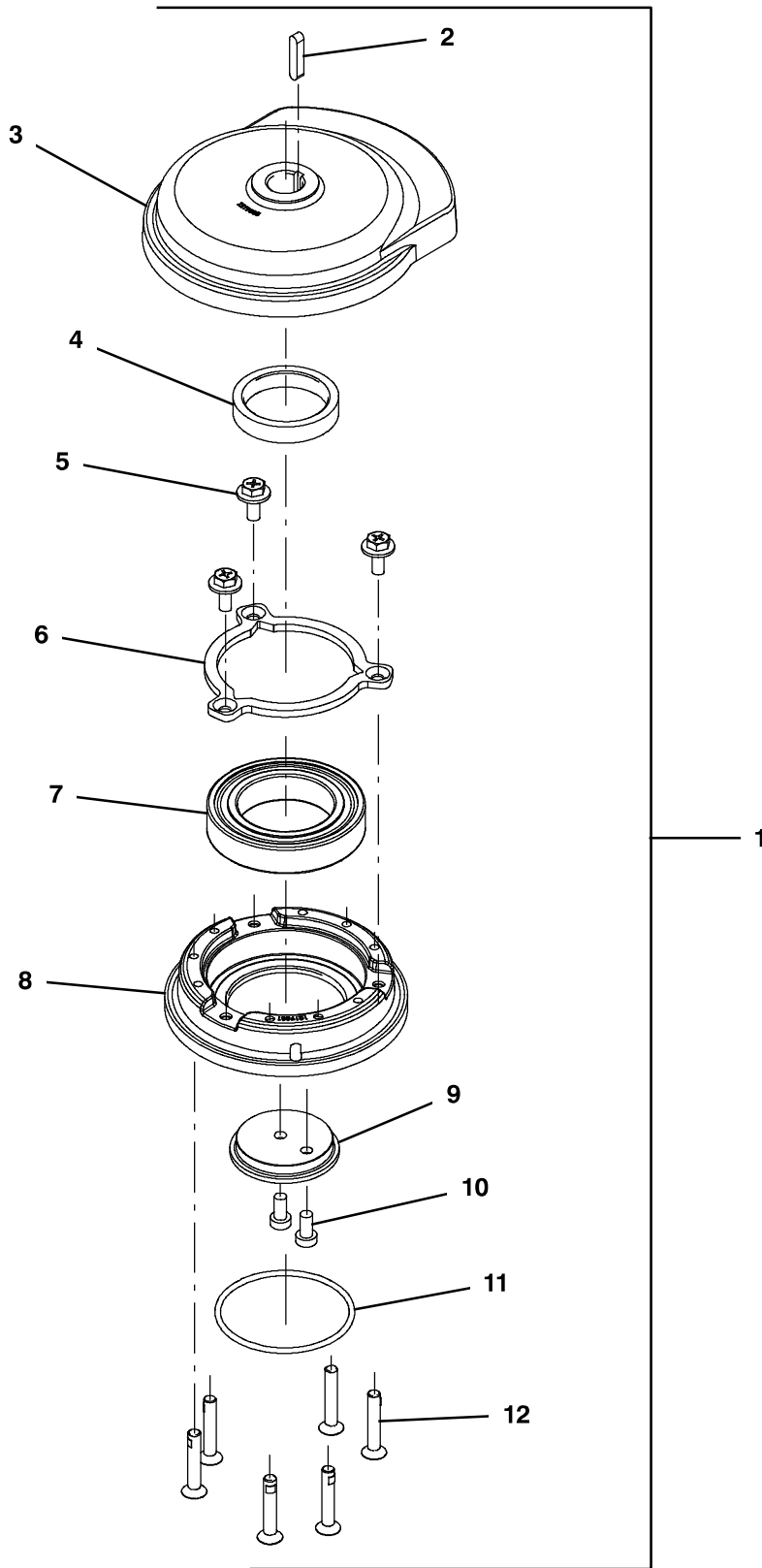
* Requires Tennant *True* service or an authorized Tennant service provider.

▽ ASSEMBLY

▲ INCLUDED IN ASSEMBLY

ORBITAL HEAD ECCENTRIC DRIVE BREAKDOWN

355477



ORBITAL HEAD ECCENTRIC DRIVE BREAKDOWN

	Ref.	Part No.	Serial Number	Description	Qty.
▽	1	9015774	(10000000- 20000000)	Eccentric Drive Kit, Orbital	1
▲	2	1231238	(10000000- 20000000)	Key, Sq, 5mm X 5mm X 22mm	1
▲	3	N/A	(10000000- 20000000)	Balance, Eccentric, Step [Machined]	1
▲	4	N/A	(10000000- 20000000)	Spacer, Eccentric	1
▲	5	N/A	(10000000- 20000000)	Screw, Hex, M6 X 1.00 X 16, Sems	3
▲	6	N/A	(10000000- 20000000)	Plate, Retainer, Brg, Outer	1
▲	7	1220452	(10000000- 20000000)	Bearing, Ball, 2.17b 3.54d .71w	1
▲	8	N/A	(10000000- 20000000)	Housing, Bearing, Outer [Machined]	1
▲	9	N/A	(10000000- 20000000)	Retainer, Bearing, Inner [Qpq]	1
▲	10	N/A	(10000000- 20000000)	Screw, Soc, M6 X 1.00 X 12, 8.8, Low	2
▲	11	1221394	(10000000- 20000000)	Seal, Org, .125 X 02.63id	1
▲	12	1212710	(10000000- 20000000)	Screw, Flt, Soc, M6 X 1.00 X 35, 10.9,NI	6

▽ ASSEMBLY

▲ INCLUDED IN ASSEMBLY