



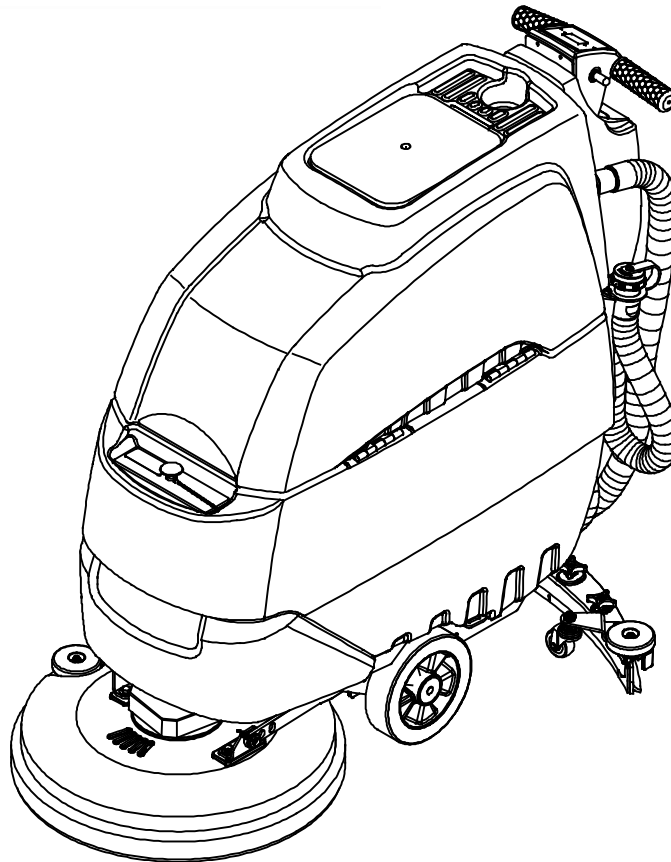
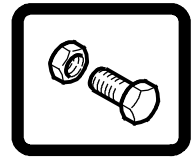
The Safe Scrubbing Alternative®



## SPEED SCRUB®

17 in / 20 in / 24 in AUTOMATIC SCRUBBER  
(S/N 30000000- 40000000)

### PARTS MANUAL



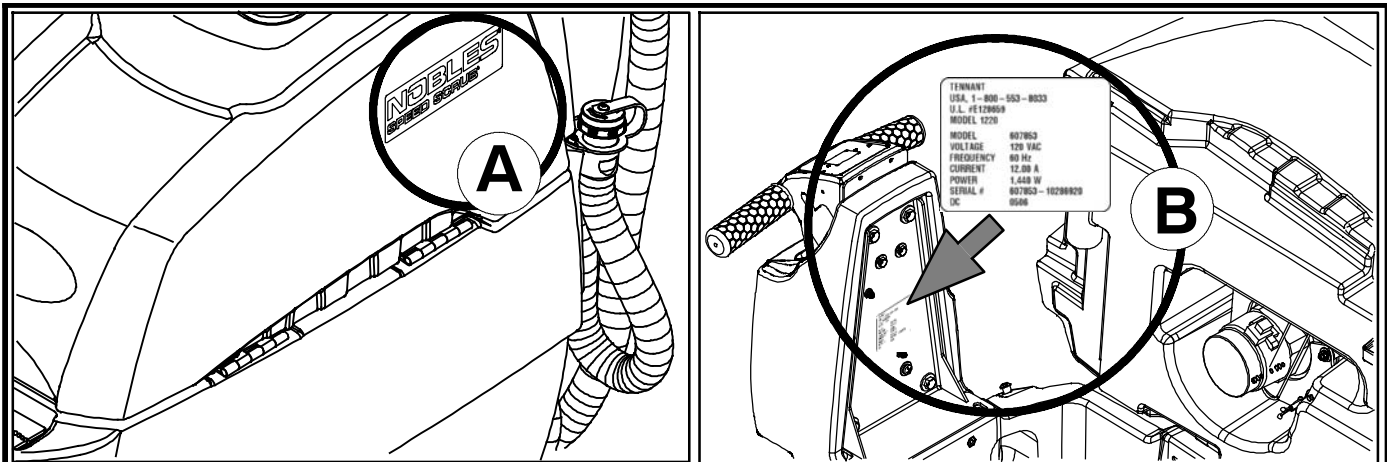
For the latest Parts manuals and other  
language Operator manuals, visit:

[www.nobles.com/manuals](http://www.nobles.com/manuals)

[www.nobles.com](http://www.nobles.com)

9012799  
Rev. 02 (11-2015)





Ref	Part No.	Serial Number	Description	Qty.
1	82681	(000000- )	Bracket Wldt, Lpg Mount	1
2	63810	(000000- )	Latch Assy, Lpg Tank Mtg, W/Nut	4
3	51839	(000000- )	Nut Adjustable, Lpg Tank Mtg	2
4	49263	(000000- )	Tie, Cable	3
5	82556	(000000- 001039)	Bracket, Vaporizer	1
6	54930	(000000- )	Vaporizer, LPG	1

**HOW TO ORDER PARTS - See diagram above**

Only use TENNANT Company supplied or equivalent parts. Parts and supplies may be ordered online, by phone, by fax or by mail.

Follow the steps below to ensure prompt delivery.

1. (A) Identify the machine model.
2. (B) Identify the machine serial number from the data label.
3. (C) Ensure the proper serial number is used from the parts list.
4. Identify the part number and quantity. Do not order by page or reference numbers.
5. Provide your name, company name, customer ID number, billing and shipping address, phone number and purchase order number.
6. Provide detail shipping instructions.

- (D) ▽ - identifies an assembly  
 ▲ - identifies parts included in assembly

**Please fill out at time of installation for future reference.**

Model No. - \_\_\_\_\_  
 Serial No. - \_\_\_\_\_  
 Machine Options - \_\_\_\_\_  
 Sales Rep. - \_\_\_\_\_  
 Sales Rep. phone no. - \_\_\_\_\_  
 Customer ID Number - \_\_\_\_\_  
 Installation Date - \_\_\_\_\_

**Tennant Company**

PO Box 1452  
 Minneapolis, MN 55440 USA  
 Phone: (800) 553-8033 or (763) 513-2850

www.nobles.com

Specifications and parts are subject to change without notice.

Copyright © 2015  
 TENNANT Company, Printed in China.

# TABLE OF CONTENTS

<p>GENERAL RECOMMENDED MAINTENANCE ITEMS ..... 6</p> <p>43 CM MODEL RECOMMENDED MAINTENANCE ITEMS ..... 7</p> <p>50 CM MODEL RECOMMENDED MAINTENANCE ITEMS ..... 7</p> <p>60 CM MODEL RECOMMENDED MAINTENANCE ITEMS ..... 7</p> <p><b>STANDARD PARTS</b></p> <p>REPLACEMENT BRUSH AND PAD DRIVER GROUP, 43 cm (17 in) MODEL ..... 8</p> <p>REPLACEMENT BRUSH AND PAD DRIVER GROUP, 50 cm (20 in) MODEL ..... 10</p> <p>REPLACEMENT BRUSH AND PAD DRIVER GROUP, 60 cm (24 in) MODEL ..... 12</p> <p>RECOVERY TANK GROUP ..... 14</p> <p>VACUUM MOTOR GROUP ..... 16</p> <p>SOLUTION TANK GROUP ..... 18</p> <p>LOWER CONTROL CONSOLE GROUP ..... 20</p> <p>UPPER CONTROL CONSOLE GROUP, BRUSH ASSIST MODEL ..... 22</p> <p>COMPONENT PANEL GROUP, BRUSH ASSIST MODEL (S/N 30009696 - ) ..... 24</p> <p>COMPONENT PANEL GROUP, BRUSH ASSIST MODEL (S/N 30000000 - 30009695) ..... 26</p> <p>UPPER CONTROL CONSOLE GROUP, DRIVE MODEL ..... 28</p> <p>COMPONENT PANEL GROUP, DRIVE MODEL (S/N 30009696 - ) ..... 30</p> <p>COMPONENT PANEL GROUP, DRIVE MODEL (S/N 30000000 - 30009695) ..... 32</p> <p>WHEEL GROUP, BRUSH ASSIST MODEL ..... 34</p> <p>WHEEL GROUP, DRIVE MODEL ..... 36</p> <p>SCRUB HEAD GROUP, 43 cm MODEL ..... 38</p> <p>SCRUB HEAD GROUP, 50 cm MODEL ..... 40</p> <p>SCRUB HEAD GROUP, DUAL DISK, 60 cm MODEL ..... 42</p> <p>SCRUB HEAD GROUP, DUAL DISK, 60 cm (24 in) MODEL - CONT'D ..... 44</p> <p>SCRUB HEAD LIFT GROUP, 43 cm (17 in) MODEL ..... 46</p> <p>SCRUB HEAD LIFT GROUP, 50 cm (20 in) MODEL ..... 48</p>	<p>SCRUB HEAD LIFT GROUP, DUAL DISK 60 cm (24 in) MODEL ..... 50</p> <p>SQUEEGEE GROUP, 500 mm ..... 52</p> <p>SOLUTION GROUP, STANDARD MODEL ..... 54</p> <p>SOLUTION GROUP, ec-H2O MODEL ..... 56</p> <p>SOLUTION GROUP, ec-H2O MODEL - CONT'D ..... 58</p> <p>ec-H2O MODULE ASSEMBLY BREAKDOWN, 9007970 ..... 60</p> <p>SOLUTION GROUP, FaST MODEL ..... 62</p> <p>SOLUTION GROUP, FaST MODEL - CONT'D .. 64</p> <p>9008865 FAST INJECTOR ASSEMBLY BREAKDOWN, SINGLE DISK 43 CM &amp; 50 CM MODELS ..... 66</p> <p>9008847 FAST INJECTOR ASSEMBLY BREAKDOWN, DUAL DISK 60 CM MODEL .. 67</p> <p>BATTERY AND CABLE GROUP, 12V/105 AH, 43 cm (17 in) BRUSH ASSIST MODEL ..... 68</p> <p>BATTERY AND CABLE GROUP, 12V/130 Ah, 50 cm (20 in) BRUSH ASSIST MODEL ..... 69</p> <p>BATTERY AND CABLE GROUP, 12V/155 AH, 50 cm (20 in) / 60 cm (24 in) DRIVE MODEL .. 70</p> <p>ELECTRICAL DIAGRAM, BRUSH ASSIST STANDARD &amp; FaST MODEL ..... 71</p> <p>ELECTRICAL DIAGRAM, DRIVE STANDARD &amp; FaST MODEL ..... 72</p> <p>ELECTRICAL DIAGRAM, BRUSH ASSIST ec-H2O MODEL ..... 73</p> <p>ELECTRICAL DIAGRAM, DRIVE ec-H2O MODEL ..... 74</p> <p>WIRE HARNESS GROUP, FAST OPTION ..... 75</p> <p>WIRE HARNESS GROUP, ec- H2O OPTION ... 76</p> <p>WIRE HARNESS GROUP, CONSOLE, BRUSH ASSIST MODEL ..... 78</p> <p>WIRE HARNESS GROUP, CONSOLE, DRIVE MODEL ..... 79</p> <p>WIRE HARNESS GROUP, MAIN, BRUSH ASSIST MODEL ..... 80</p> <p>WIRE HARNESS GROUP, MAIN, BRUSH ASSIST MODEL - CONT'D ..... 81</p> <p>WIRE HARNESS GROUP, MAIN, BRUSH ASSIST MODEL - CONT'D ..... 82</p> <p>WIRE HARNESS GROUP, MAIN, DRIVE MODEL 83</p> <p>WIRE HARNESS GROUP, FRAME, DRIVE MODEL ..... 86</p>
---	---

# TABLE OF CONTENTS

---

## OPTIONS

OFF-BOARD BATTERY CHARGER GROUP ...	87
ON-BOARD BATTERY CHARGER GROUP, STANDARD & FaST MODEL .....	88
ON-BOARD BATTERY CHARGER GROUP, ec-H2O MODEL .....	90
PARKING BRAKE GROUP .....	92
EMERGENCY STOP BUTTON GROUP .....	93
DOCUMENTATION GROUP .....	94



# RECOMMENDED MAINTENANCE ITEMS

## GENERAL RECOMMENDED MAINTENANCE ITEMS

	Part No.	Serial Number	Description	Qty.
▽	9001178	(30000000- 40000000 )	Squeegee Assy Kit, 500mm, Ci	1
▲	1010560	(30000000- 40000000 )	Wheel, Bmpr, 80d X 25w, Non- Marking	2
▲	1006343	(30000000- 40000000 )	Caster, Swivel, 50mmd, M10 X 30 Stem, PI	2
▲	1011232	(30000000- 40000000 )	Blade, Sqge, Front, 500mml Linatex (Standard)	1
	1014091	(30000000- 40000000 )	Blade, Sqge, Front, 500mml, Gum (Optional)	1
	1014092	(30000000- 40000000 )	Blade, Sqge, Front, 500mml, Oil- Rstn (Optional)	1
▲	1011456	(30000000- 40000000 )	Blade, Sqge, Rear, 32.7l, Linatex[500mm] (Standard)	1
	1014093	(30000000- 40000000 )	Blade, Sqge, Rear, 32.7l, Gum [500mm] (Optional)	1
	1014094	(30000000- 40000000 )	Blade, Sqge, Rear, 32.7l, Oil- Rstn[500mm] (Optional)	1
▲	1013933	(30000000- 40000000 )	Strap Assy, Sqge, 500mm	1
	1014079	(30000000- 40000000 )	Clip, Hose, Gripper, 1.50id, Dbl, Blk Pp	1
	1207882	(30000000- 40000000 )	Hose, Vacuum, 1.50id X 057.1l, 2cuff, Pu	1
▽	1043538	(30000000- 40000000 )	Hose Assy, Drain, 1.50id X 29.5l, Blk	1
▲▽	1008639	(30000000- 40000000 )	Cap, Drain Assy	1
▲▲	1019563	(30000000- 40000000 )	Strap, Cap, Drain	1
	630367	(30000000- 40000000 )	Seal, .50, .50w 33.9l, Adh [D Shape]	1
	630052	(30000000- 40000000 )	Float, Shut- Off, (2)Ball, 1.75d	1
	1013628	(30000000- 40000000 )	Gasket, Mtg, Float, .125th, Neo, Adh	1
	1024602	(30000000- 40000000 )	Gasket, Adapter, Hose .13, Neo, Adh	1
	100038	(30000000- 40000000 )	Gasket, Vacuum Mtr 5.7 Epdm W/Psa	1
	1012965	(30000000- 40000000 )	Cap, Port, Soltn Fill	1
	1029829	(30000000- 40000000 )	Hose, Drain, Soltn Tank [Ss3]	1
	1060173	(30000000- 40000000 )	Cover Assy, Tank, Soltn Fill	1
	1026345	(30000000- 40000000 )	Caster, Swivel, 80mm D, M12 X 25 Stem	2
	1014283	(30000000- 40000000 )	Pad, Adh, Non- Slip, 28mm X 36mm, Blk	1
	1039988	(30000000- 40000000 )	Orifice, Plug, .027 (For Injector 9008865)	1
	1039989	(30000000- 40000000 )	Plug, Orifice, 0.030, Ss [Fast li+] (For Injector 9008847)	1
	1017019	(30000000- 40000000 )	Detergent Pkg, 2 Liter, Sgl [Mp]	1
	1017025	(30000000- 40000000 )	Detergent Pkg, 2 Liter, Sgl [Mpd]	1
	1047470	(30000000- 40000000 )	Fuse, Blade, 010a, 32vdc, Red (ec- H2O Model)	1
	1016039	(30000000- 40000000 )	Fuse, Blade, 007.5a, 32vdc (Fast Model)	1
	1016040	(30000000- 40000000 )	Fuse, Blade, 025a, 32vdc (Main Brush Assist Model)	1
	1016029	(30000000- 40000000 )	Fuse, Blade, 005a, 32vdc (Main Brush Assist Model)	1
	1016040	(30000000- 40000000 )	Fuse, Blade, 025a, 32vdc (Main Drive Model)	1
	762516	(30000000- 40000000 )	Fuse, Blade, 030a, 32vdc (Main Drive Model)	1

# RECOMMENDED MAINTENANCE ITEMS

## 43 CM MODEL RECOMMENDED MAINTENANCE ITEMS

Ref.	Part No.	Serial Number	Description	Qty.
	1016764	(30000000- 40000000 )	Brush Assy, Disk, 43cm/17inch, (White- Soft Nylon)	1
	1016765	(30000000- 40000000 )	Brush Assy, Disk, 43cm/17inch, (Black- Polypropylene)	1
	1016763	(30000000- 40000000 )	Brush Assy, Disk, 43cm/17inch, (Gray- Abrasive)	1
	1050273	(30000000- 40000000 )	Pad, Polish, 17.0d, White [1pick=1pad]	1
	1050271	(30000000- 40000000 )	Pad, Buff, 17.0d, Red [1pick=1pad]	1
	1050270	(30000000- 40000000 )	Pad, Scb, 17.0d, Blue [1pick=1pad]	1
	1050267	(30000000- 40000000 )	Pad, Stripping, 17.0d, Brown[1pick=1pad]	1
	1050262	(30000000- 40000000 )	Pad, Stripping, 17.0d[Hi Pro,1pick=1pad]	1
	1051028	(30000000- 40000000 )	Pad, Surf Prep, 17.0d [Mar, 1pick=1pad]	1

## 50 CM MODEL RECOMMENDED MAINTENANCE ITEMS

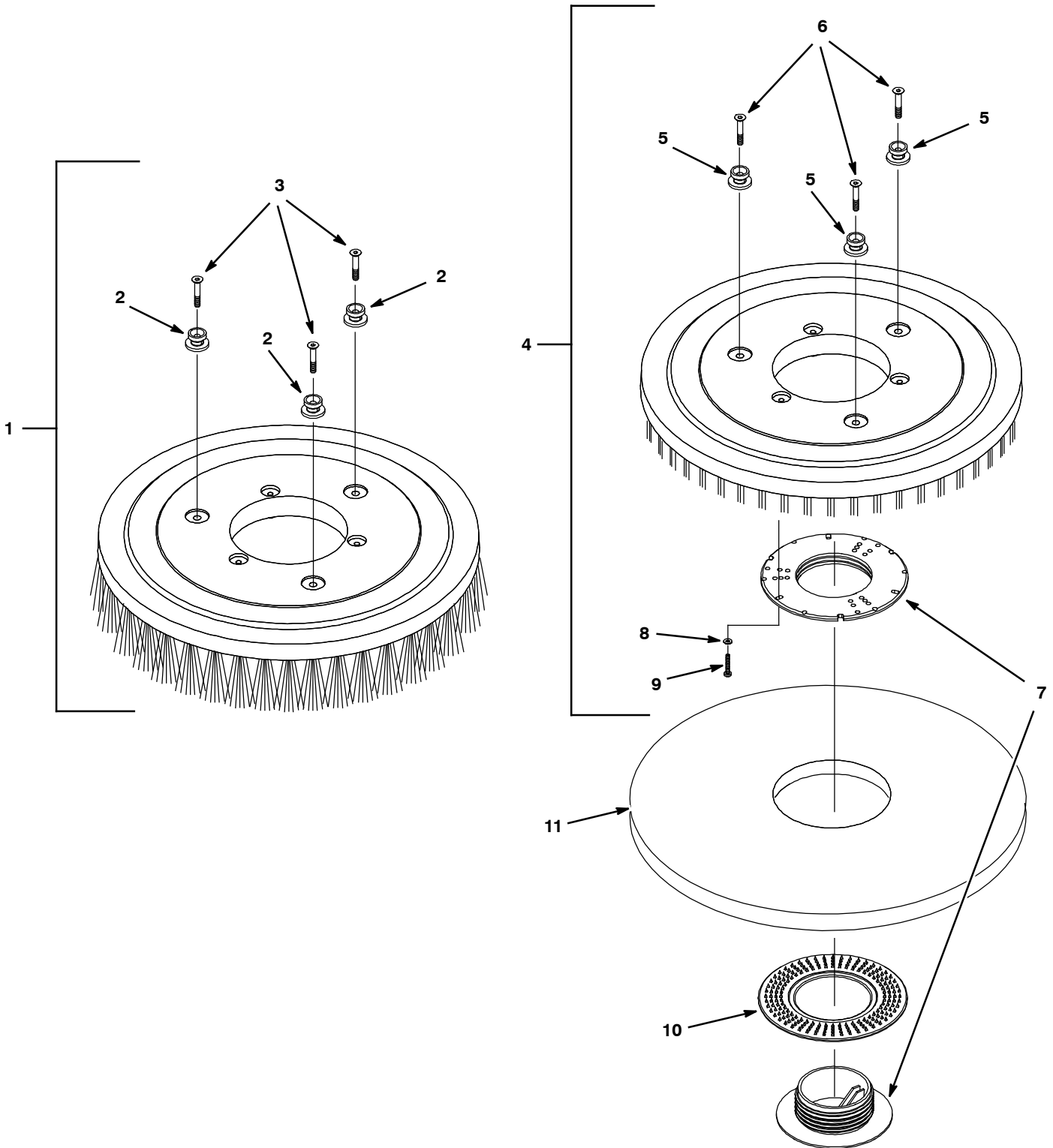
Ref.	Part No.	Serial Number	Description	Qty.
	1016810	(30000000- 40000000 )	Brush Assy, Disk, 50cm/20inch, (White- Soft Nylon)	1
	1016811	(30000000- 40000000 )	Brush Assy, Disk, 50cm/20inch, (Black- Polypropylene)	1
	1016805	(30000000- 40000000 )	Brush Assy, Disk, 50cm/20inch, (Gray- Abrasive)	1
	17260	(30000000- 40000000 )	Pad, Polish, 20.0d, White [1pick=1pad]	1
	17261	(30000000- 40000000 )	Pad, Buff, 20.0d, Red [1pick=1pad]	1
	17262	(30000000- 40000000 )	Pad, Scb, 20.0d, Blu [1pick=1pad]	1
	17263	(30000000- 40000000 )	Pad, Stripping, 20.0d, Brown[1pick=1pad]	1
	370094	(30000000- 40000000 )	Pad, Stripping, 20.0d[Hi Prod,1pick=1pad]	1
	1051030	(30000000- 40000000 )	Pad, Surf Prep, 20.0d [Mar, 1pick=1pad]	1

## 60 CM MODEL RECOMMENDED MAINTENANCE ITEMS

Ref.	Part No.	Serial Number	Description	Qty.
	1056306	(30000000- 40000000 )	Brush Assy, Disk, Scb, 12.0d, 3- Lug, Nyl (White- Soft Nylon)	2
	1056313	(30000000- 40000000 )	Brush Assy, Disk, Scb, 12.0d, 3- Lug, Pyp (Black- Polypropylene)	2
	1063297	(30000000- 40000000 )	Brush Assy, Disk, Scb, 12.0d, 3- Lug, Abr (Gray- Abrasive)	2
	385940	(30000000- 40000000 )	Pad, Polish, 12.0d, White [1pad=1pc]	2
	385941	(30000000- 40000000 )	Pad, Buff, 12.0d, Red [1pad=1pc]	2
	385942	(30000000- 40000000 )	Pad, Scb, 12.0d, Blu [1pick = 1 Pad]	2
	385943	(30000000- 40000000 )	Pad, Stripping, 12.0d, Brown [1pad=1pc]	2
	1063334	(30000000- 40000000 )	Pad, Stripping, 12.0d [Hi- Prod] Blk	2
	1051020	(30000000- 40000000 )	Pad, Surf Prep, 12.0d [Mar, 1pick=1pad]	2

# STANDARD PARTS

## REPLACEMENT BRUSH AND PAD DRIVER GROUP, 43 cm (17 in) MODEL



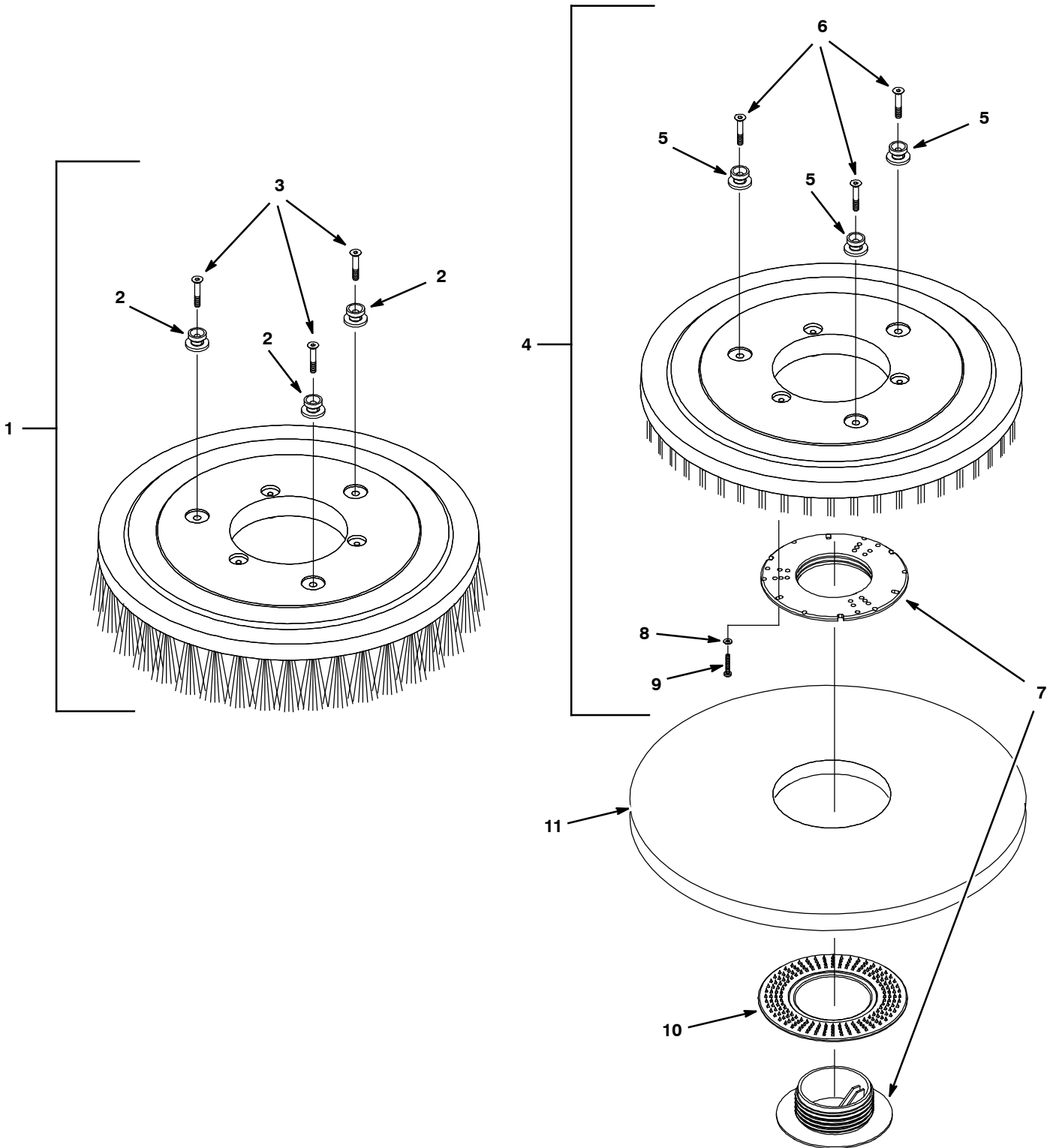


## REPLACEMENT BRUSH AND PAD DRIVER GROUP, 43 cm (17 in) MODEL

Ref.	Part No.	Serial Number	Description	Qty.
1	1016764	(30000000- 40000000 )	Brush Assy, Disk, 43cm/17inch, (White- Soft Nylon)	1
1	1016765	(30000000- 40000000 )	Brush Assy, Disk, 43cm/17inch, (Black- Polypropylene)	1
1	1016763	(30000000- 40000000 )	Brush Assy, Disk, 43cm/17inch, (Gray- Abrasive)	1
2	1013018	(30000000- 40000000 )	Stud, Drive, Brush Pad	3
3	07809	(30000000- 40000000 )	Screw, Flt, M6 X 1.0 X 35, 10.9	3
4	1016813	(30000000- 40000000 )	Driver Assy, Pad, 43cm/17inch	1
5	1013018	(30000000- 40000000 )	Stud, Drive, Brush Pad	3
6	07809	(30000000- 40000000 )	Screw, Flt, M6 X 1.0 X 35, 10.9	3
7	25707	(30000000- 40000000 )	Lock, Universal, Cntr, Rh, Yel	1
8	41579	(30000000- 40000000 )	Washer, Flat, #08, Ss	3
9	04403	(30000000- 40000000 )	Screw, Pan, M4 X 0.7 X 25, Ss, NI	3
10	32505	(30000000- 40000000 )	Washer, Flat, 3.60b 5.65d .06, Brush Pad	1
11	1050273	(30000000- 40000000 )	Pad, Polish, 17.0d, White [1pick=1pad]	1
11	1050271	(30000000- 40000000 )	Pad, Buff, 17.0d, Red [1pick=1pad]	1
11	1050270	(30000000- 40000000 )	Pad, Scb, 17.0d, Blue [1pick=1pad]	1
11	1050267	(30000000- 40000000 )	Pad, Stripping, 17.0d, Brown[1pick=1pad]	1
11	1050262	(30000000- 40000000 )	Pad, Stripping, 17.0d[Hi Pro,1pick=1pad]	1
11	1051028	(30000000- 40000000 )	Pad, Surf Prep, 17.0d [Mar, 1pick=1pad]	1

# STANDARD PARTS

## REPLACEMENT BRUSH AND PAD DRIVER GROUP, 50 cm (20 in) MODEL

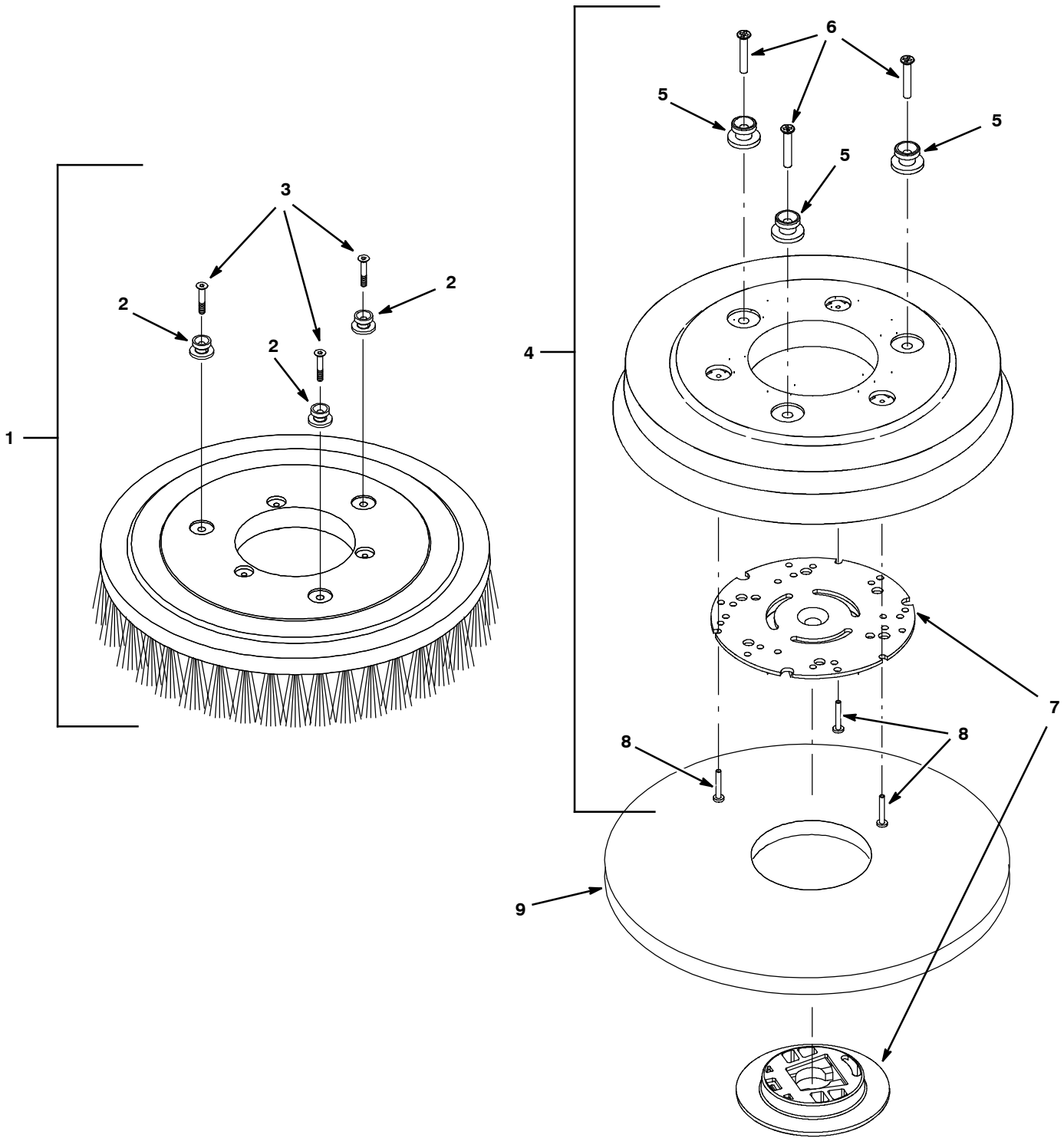


## REPLACEMENT BRUSH AND PAD DRIVER GROUP, 50 cm (20 in) MODEL

Ref.	Part No.	Serial Number	Description	Qty.
1	1016810	(30000000- 40000000 )	Brush Assy, Disk, 50cm/20inch, (White- Soft Nylon)	1
1	1016811	(30000000- 40000000 )	Brush Assy, Disk, 50cm/20inch, (Black- Polypropylene)	1
1	1016805	(30000000- 40000000 )	Brush Assy, Disk, 50cm/20inch, (Gray- Abrasive)	1
2	1013018	(30000000- 40000000 )	Stud, Drive, Brush Pad	3
3	07809	(30000000- 40000000 )	Screw, Flt, M6 X 1.0 X 35, 10.9	3
4	1016814	(30000000- 40000000 )	Driver Assy, Pad, 50cm/20inch	1
5	1013018	(30000000- 40000000 )	Stud, Drive, Brush Pad	3
6	07809	(30000000- 40000000 )	Screw, Flt, M6 X 1.0 X 35, 10.9	3
7	25707	(30000000- 40000000 )	Lock, Universal, Cntr, Rh, Yel	1
8	41579	(30000000- 40000000 )	Washer, Flat, #08, Ss	3
9	04403	(30000000- 40000000 )	Screw, Pan, M4 X 0.7 X 25, Ss, NI	3
10	32505	(30000000- 40000000 )	Washer, Flat, 3.60b 5.65d .06, Brush Pad	1
11	17260	(30000000- 40000000 )	Pad, Polish, 20.0d, White [1pick=1pad]	1
11	17261	(30000000- 40000000 )	Pad, Buff, 20.0d, Red [1pick=1pad]	1
11	17262	(30000000- 40000000 )	Pad, Scb, 20.0d, Blu [1pick=1pad]	1
11	17263	(30000000- 40000000 )	Pad, Stripping, 20.0d, Brown[1pick=1pad]	1
11	370094	(30000000- 40000000 )	Pad, Stripping, 20.0d[Hi Prod,1pick=1pad]	1
11	1051030	(30000000- 40000000 )	Pad, Surf Prep, 20.0d [Mar, 1pick=1pad]	1

# STANDARD PARTS

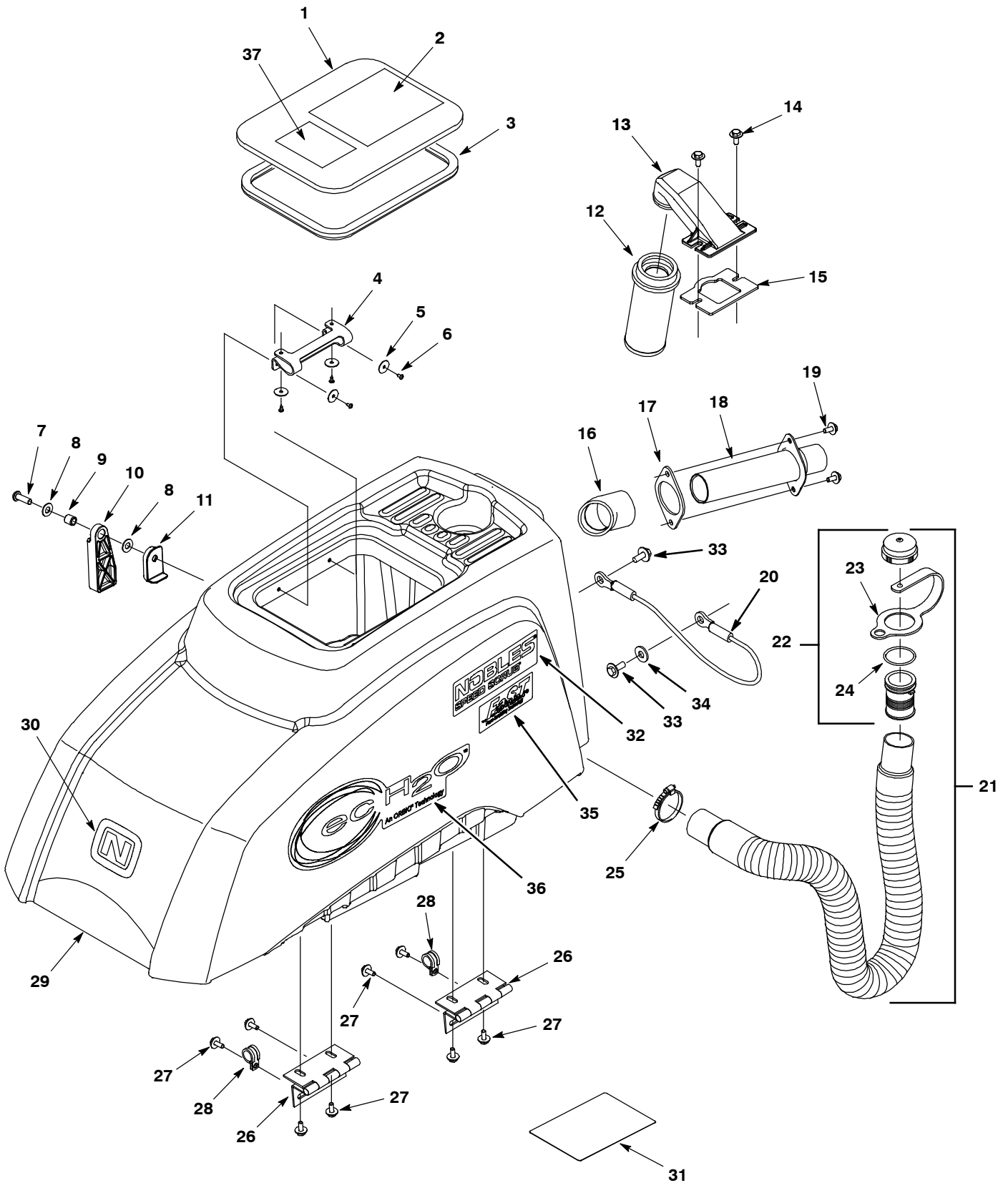
## REPLACEMENT BRUSH AND PAD DRIVER GROUP, 60 cm (24 in) MODEL



## REPLACEMENT BRUSH AND PAD DRIVER GROUP, 60 cm (24 in) MODEL

Ref.	Part No.	Serial Number	Description	Qty.
1	1056306	(30000000- 40000000 )	Brush Assy, Disk, Scb, 12.0d, 3- Lug, Nyl (White- Soft Nylon)	2
1	1056313	(30000000- 40000000 )	Brush Assy, Disk, Scb, 12.0d, 3- Lug, Pyp (Black- Polypropylene)	2
1	1063297	(30000000- 40000000 )	Brush Assy, Disk, Scb, 12.0d, 3- Lug, Abr (Gray- Abrasive)	2
2	1055558	(30000000- 40000000 )	Mount, Lug, Pad- Driver [T3]	3
3	1021316	(30000000- 40000000 )	Screw, Flt, Phl, M6 X 1.00 X 35, Ss	3
4	1054856	(30000000- 40000000 )	Driver Assy, Pad, 12", 3- Lug	2
5	1055558	(30000000- 40000000 )	Mount, Lug, Pad- Driver [T3]	3
6	1021316	(30000000- 40000000 )	Screw, Flt, Phl, M6 X 1.00 X 35, Ss	3
7	370095	(30000000- 40000000 )	Device, Centering, Clip On, TI [Gf Pp]	2
8	04403	(30000000- 40000000 )	Screw, Pan, M4 X 0.7 X 25, Ss, NI	3
9	385940	(30000000- 40000000 )	Pad, Polish, 12.0d, White [1pad=1pc]	2
9	385941	(30000000- 40000000 )	Pad, Buff, 12.0d, Red [1pad=1pc]	2
9	385942	(30000000- 40000000 )	Pad, Scb, 12.0d, Blu [1pick = 1 Pad]	2
9	385943	(30000000- 40000000 )	Pad, Stripping, 12.0d, Brown [1pad=1pc]	2
9	1063334	(30000000- 40000000 )	Pad, Stripping, 12.0d [Hi- Prod] Blk	2
9	1051020	(30000000- 40000000 )	Pad, Surf Prep, 12.0d [Mar, 1pick=1pad]	2

RECOVERY TANK GROUP



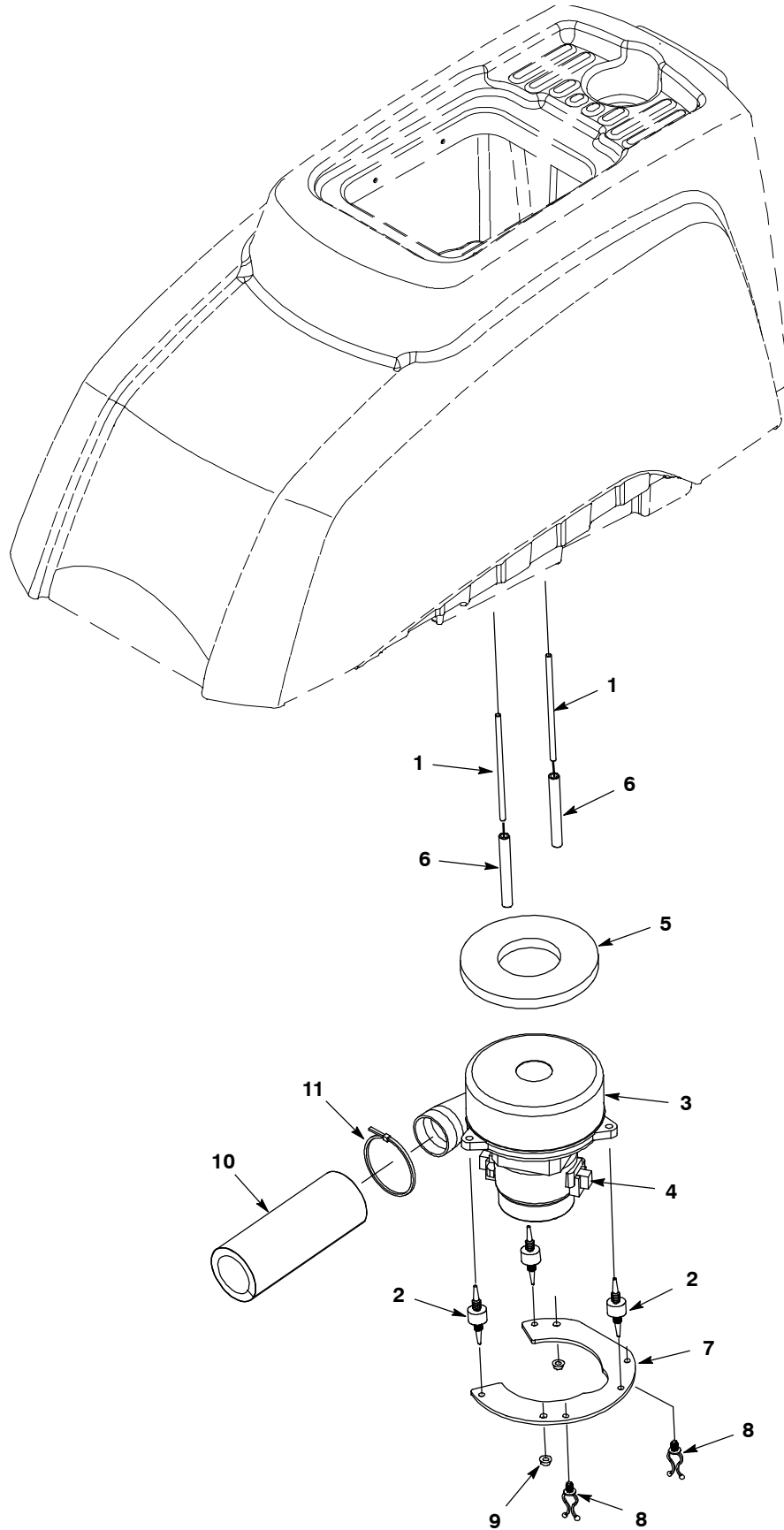
## RECOVERY TANK GROUP

Ref.	Part No.	Serial Number	Description	Qty.
▽	1	9003396	(30000000- 40000000 ) Lid Assy, W/ Label [En/Es/Fr/Jp]	1
▲	2	1036679	(30000000- 40000000 ) Label, Warning [Exp,Fre,Shk En/Fr/Es/Jp]	1
▲	3	630367	(30000000- 40000000 ) Seal, .50, .50w 33.9l, Adh [D Shape]	1
	4	630056	(30000000- 40000000 ) Hinge, Cover, Tank Lid	1
	5	1009168	(30000000- 40000000 ) Washer, Flat, 0.17b 0.75d .04, Ss	4
	6	3701.6	(30000000- 40000000 ) Screw, Pan, #06- 32 X 0.38, Phl Ss Shtmtl	4
	7	1039118	(30000000- 40000000 ) Screw, Btn, M8 X 1.25 X 30, Blk	1
	8	140027	(30000000- 40000000 ) Washer, Flat, 0.35b 0.75d .04, Ss	2
	9	222460	(30000000- 40000000 ) Sleeve, P/M, 0.31b 0.50d 0.5l	1
	10	1022399	(30000000- 40000000 ) Support, Tank, Prop, Blk, Nyl	1
	11	1022904	(30000000- 40000000 ) Bracket, Sppt, Stop, Blk, Nyl	1
	12	630052	(30000000- 40000000 ) Float, Shut- Off, (2)Ball, 1.75d	1
	13	1011777	(30000000- 40000000 ) Mount, Float, Mold	1
	14	1034731	(30000000- 40000000 ) Screw, Hex, M6 X 1.00 X 16, Sems, Ss	2
	15	1013628	(30000000- 40000000 ) Gasket, Mtg, Float, .125th, Neo, Adh	1
	16	1028801	(30000000- 40000000 ) Fitting, Plstc, E45, 1.25	1
	17	1024602	(30000000- 40000000 ) Gasket, Adapter, Hose .13, Neo, Adh	1
	18	1021214	(30000000- 40000000 ) Tube, Hose, Adapter, 1.5d	1
	19	1034731	(30000000- 40000000 ) Screw, Hex, M6 X 1.00 X 16, Sems, Ss	2
	20	140960	(30000000- 40000000 ) Cable, Glv .13d 014.5l .34eye /.34eye	1
▽	21	1043538	(30000000- 40000000 ) Hose Assy, Drain, 1.50id X 29.5l, Blk	1
▲▽	22	1008639	(30000000- 40000000 ) Cap, Drain Assy	1
▲▲	23	1019563	(30000000- 40000000 ) Strap, Cap, Drain	1
▲▲	24	1008637	(30000000- 40000000 ) Seal, Org, 1.48id 1.76od	1
	25	11531	(30000000- 40000000 ) Clamp, Hose, Wormdrive, 1.06- 2.00d, .56w	1
	26	1012540	(30000000- 40000000 ) Hinge, 6mmpin 2.5mm Th 73.5mmw 100mml	2
	27	1034731	(30000000- 40000000 ) Screw, Hex, M6 X 1.00 X 16, Sems, Ss	8
	28	1016354	(30000000- 40000000 ) Clamp, Cable, Ss, 0.50d X 0.50w [Insul]	2
▽	29	9007890	(30000000- 40000000 ) Tank, Recovery, Afmkt [Ss3]	1
▲	30	1034637	(30000000- 40000000 ) Label, Front, 3.50 [Nobles Icon]	1
▲	31	1014154	(30000000- 40000000 ) Label, Instr, Battery	1
▲	32	1064991	(30000000- 40000000 ) Label, Model [Speed Scrub]	2
	33	1034731	(30000000- 40000000 ) Screw, Hex, M6 X 1.00 X 16, Sems, Ss	2
	34	01684	(30000000- 40000000 ) Washer, Flat, 0.25 Ss	1
	35	1064994	(30000000- 40000000 ) Label, Logo, 06.1l Dk Gr [Fast]	2
	36	1064823	(30000000- 40000000 ) Label, Logo, 12.3l 4color [Ech2o Nobles]	2
	37	1068925	(30000000- 40000000 ) Label, Do Not Add Detgt[Ec- H20]	1

▽ ASSEMBLY

▲ INCLUDED IN ASSEMBLY

VACUUM MOTOR GROUP





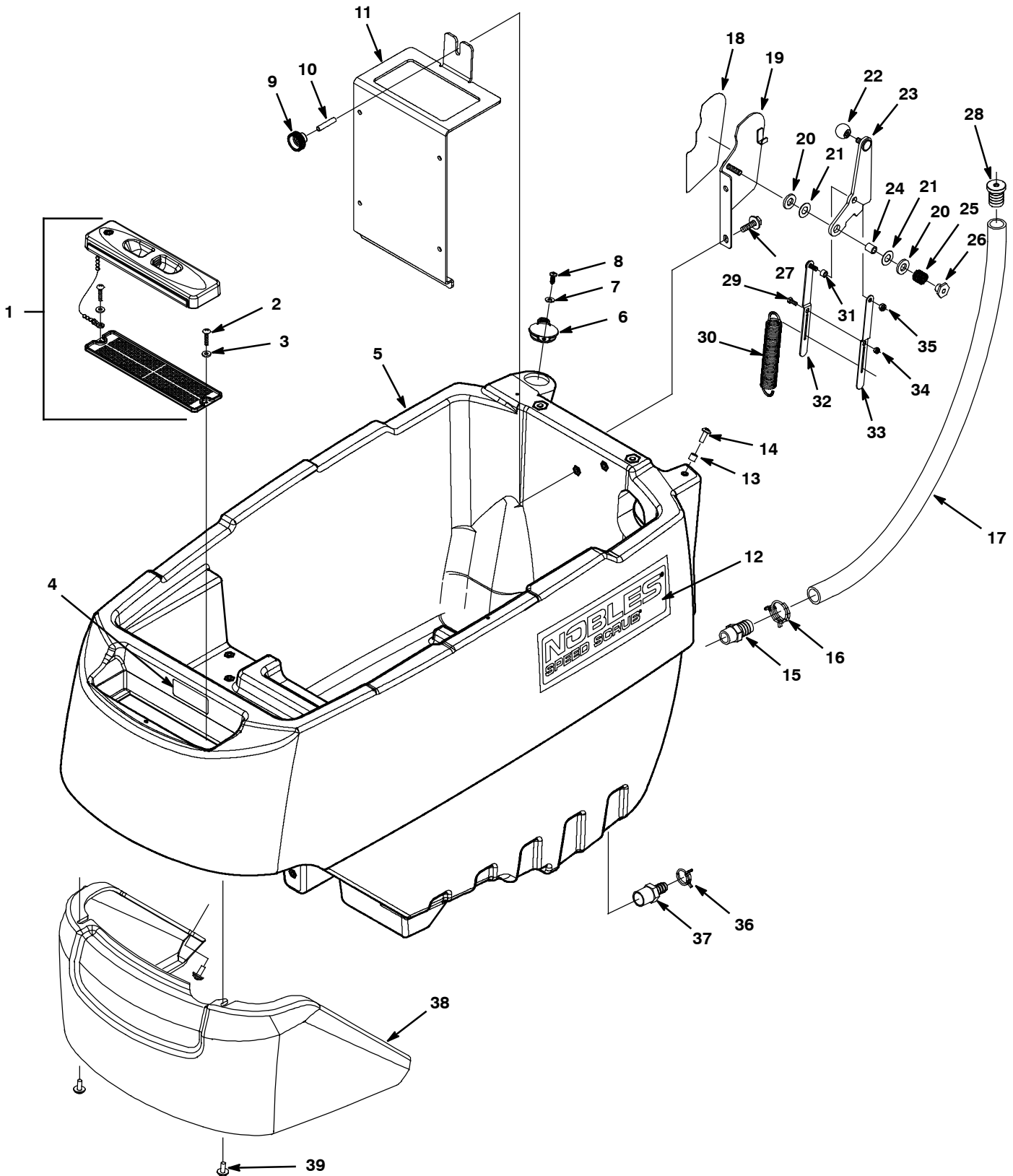
## VACUUM MOTOR GROUP

Ref.	Part No.	Serial Number	Description	Qty.	
1	1015412	(30000000- 40000000 )	Rod, Thrd, Full, M6x1.0, 140l	2	
2	1062016	(30000000- 40000000 )	Isolator, Vib, .75d	3	
▽	3	1023271	(30000000- 40000000 )	Fan, Vacuum, 5.7d 2stage 024vdc [Bpt,Pk]	1
▲	4	372883	(30000000- 40000000 )	Vr, Brush Kit, Motor, Ele (1 Pkg = 2 Pcs)	1
5	100038	(30000000- 40000000 )	Gasket, .50, 02.63id 05.75od, Adh [Epdm]	1	
6	1024575	(30000000- 40000000 )	Tube, 0.28id 0.43od 03.3l, PI	2	
7	1011962	(30000000- 40000000 )	Bracket, Mtg, Vacuum	1	
8	30406	(30000000- 40000000 )	Clip, Keeper	2	
9	1040381	(30000000- 40000000 )	Nut, Hex, Flng, M6 X 1.0, Ss [Serrated]	2	
10	1068577	(30000000- 40000000 )	Muffler, Exhaust, Vacfan, 150mml [T2/T3]	1	
11	130773	(30000000- 40000000 )	Tie, Cable, Nyl, 11.0l, .14w, 3.0 Max. D	1	

▽ ASSEMBLY

▲ INCLUDED IN ASSEMBLY

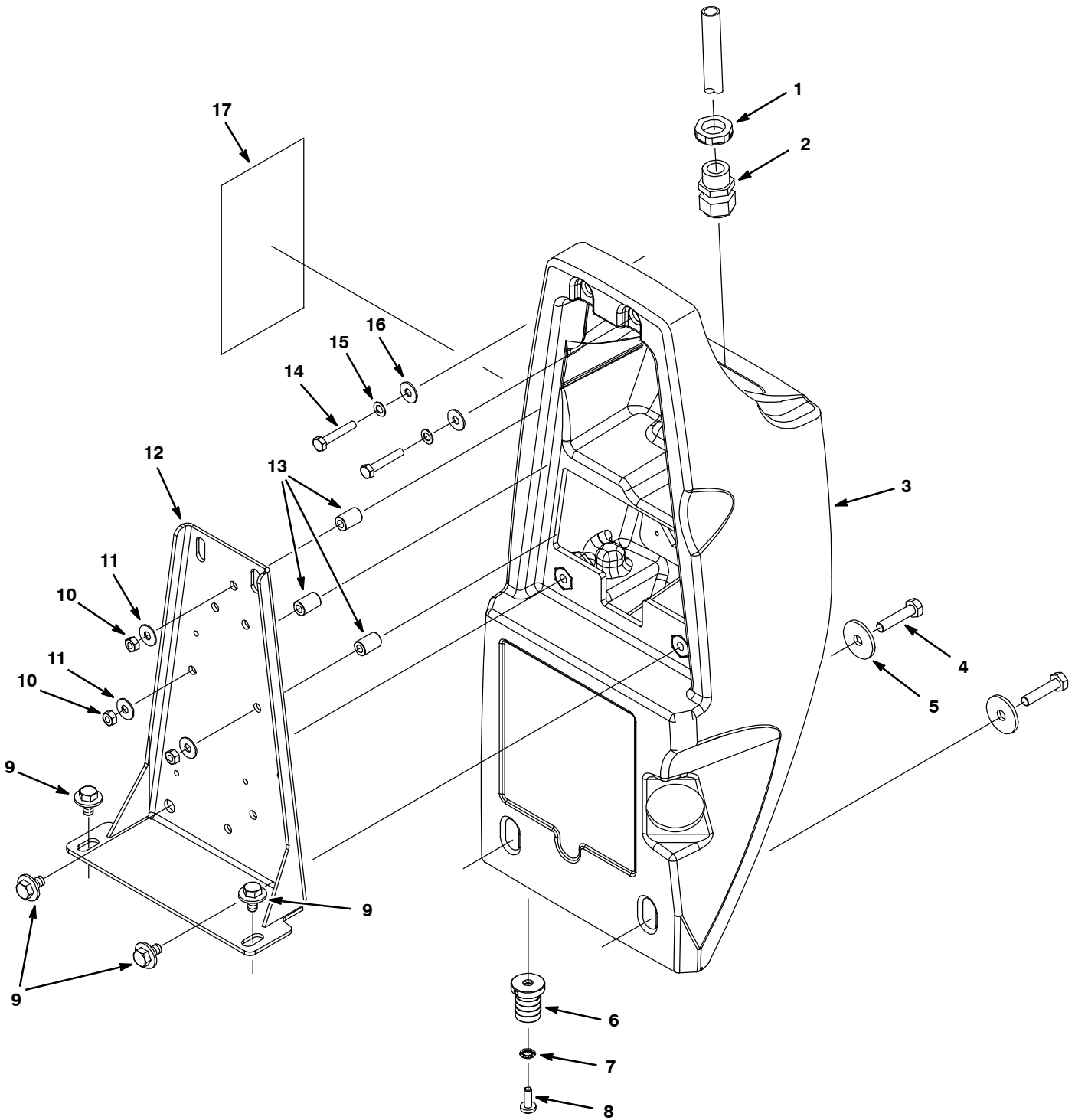
SOLUTION TANK GROUP



## SOLUTION TANK GROUP

Ref.	Part No.	Serial Number	Description	Qty.
1	1060173	(30000000- 40000000 )	Cover Assy, Tank, Soltn Fill	1
2	140826	(30000000- 40000000 )	Screw, Pan, #06- 32 X 0.75, Phl Ss Shtmtl	2
3	41578	(30000000- 40000000 )	Washer, Flat, #06, Ss	2
4	391451	(30000000- 40000000 )	Label [Attention Fast Users] (Fast Model)	1
4	1050003	(30000000- 40000000 )	Label, User, Attention, Ec- H2o (ec-H2O Model)	1
5	9007891	(30000000- 40000000 )	Tank, Solution, Afmkt [Ss3]	1
6	1012965	(30000000- 40000000 )	Cap, Port, Soltn Fill	1
7	01683	(30000000- 40000000 )	Washer, Flat, #10, Ss	1
8	1018155	(30000000- 40000000 )	Screw, Pan, M5 X 0.8 X16, Ss, Tcut	1
9	578439	(30000000- 40000000 )	Nut, Thumb, M6 X 1.0, 24mm Od	1
10	1018559	(30000000- 40000000 )	Screw, Set, M6 X 1.00 X 30, Ss [Fltpt]	1
11	1040598	(30000000- 40000000 )	Bracket, Mtg, Chrgr [Ss3]	1
12	1064991	(30000000- 40000000 )	Label, Model [Speed Scrub]	2
13	140154	(30000000- 40000000 )	Sleeve, P/M, 0.25b 0.38d 0.3l, PI	1
14	608322	(30000000- 40000000 )	Screw, Trs, M6 X 1.0 X 16, Phl, Ss	1
15	78398	(30000000- 40000000 )	Fitting, Plstc, Str, Bm12/Pm08, Nyl	1
16	608915	(30000000- 40000000 )	Clamp, Hose, Wir, 1.03 - 1.09	1
17	1029829	(30000000- 40000000 )	Hose, Drain, Soltn Tank [Ss3]	1
18	1018389	(30000000- 40000000 )	Label, Lever, Dual Down Press	1
19	1018020	(30000000- 40000000 )	Bracket Wldt, Mtg, Dual Dp Lever	1
20	140127	(30000000- 40000000 )	Bearing, Thrust,0.51b X 1.0 X .12, Brz	2
21	89710	(30000000- 40000000 )	Washer, Flat, 0.51b 1.00d .03, Nyl	2
22	1017156	(30000000- 40000000 )	Knob, Ball, M8 Insert, 40mmd, Plstc	1
23	1017493	(30000000- 40000000 )	Lever, Lift, Dual Down Press	1
24	1014336	(30000000- 40000000 )	Sleeve, P/M, 08.4b 12.6d 14.5l, PI	1
25	1018756	(30000000- 40000000 )	Spring, Cmpr, 0.7od .080wir 00.7l,PI[Mw]	1
26	1018181	(30000000- 40000000 )	Nut, T, M8 X 1.25 X 0.50od X 0.4l	1
27	1020341	(30000000- 40000000 )	Screw, Hex, M8 X 1.25 X 20, Ss, Sems	2
28	1035469	(30000000- 40000000 )	Fitting, Plastic, Bm12 [Sight Tube]	1
29	09738	(30000000- 40000000 )	Screw, Hex, M5 X 0.8 X 12, Ss	1
30	1031783	(30000000- 40000000 )	Spring, Extn, 1.00od 0.12wir 06.3l	1
31	1017884	(30000000- 40000000 )	Bushing, Sleeve, 6mmb 10mmd 7mml	1
32	1017882	(30000000- 40000000 )	Link Wldt, Spring, Lever	1
33	1017805	(30000000- 40000000 )	Link, Spring, Lever	1
34	09739	(30000000- 40000000 )	Nut, Hex, Lock, M5 X 0.8, NI, Ss	1
35	08708	(30000000- 40000000 )	Nut, Hex, Lock, M6 X 1.0, NI	1
36	607776	(30000000- 40000000 )	Clamp, Hose, Wir, .73 - .77, Silver	1
37	1023581	(30000000- 40000000 )	Fitting, Plstc, Str, Bm08/Pm08, Nyl	1
38	1028710	(30000000- 40000000 )	Cover, Head, Rm- Blk, Trimmed [Ss3]	1
39	1034731	(30000000- 40000000 )	Screw, Hex, M6 X 1.00 X 16, Ss, Sems	6

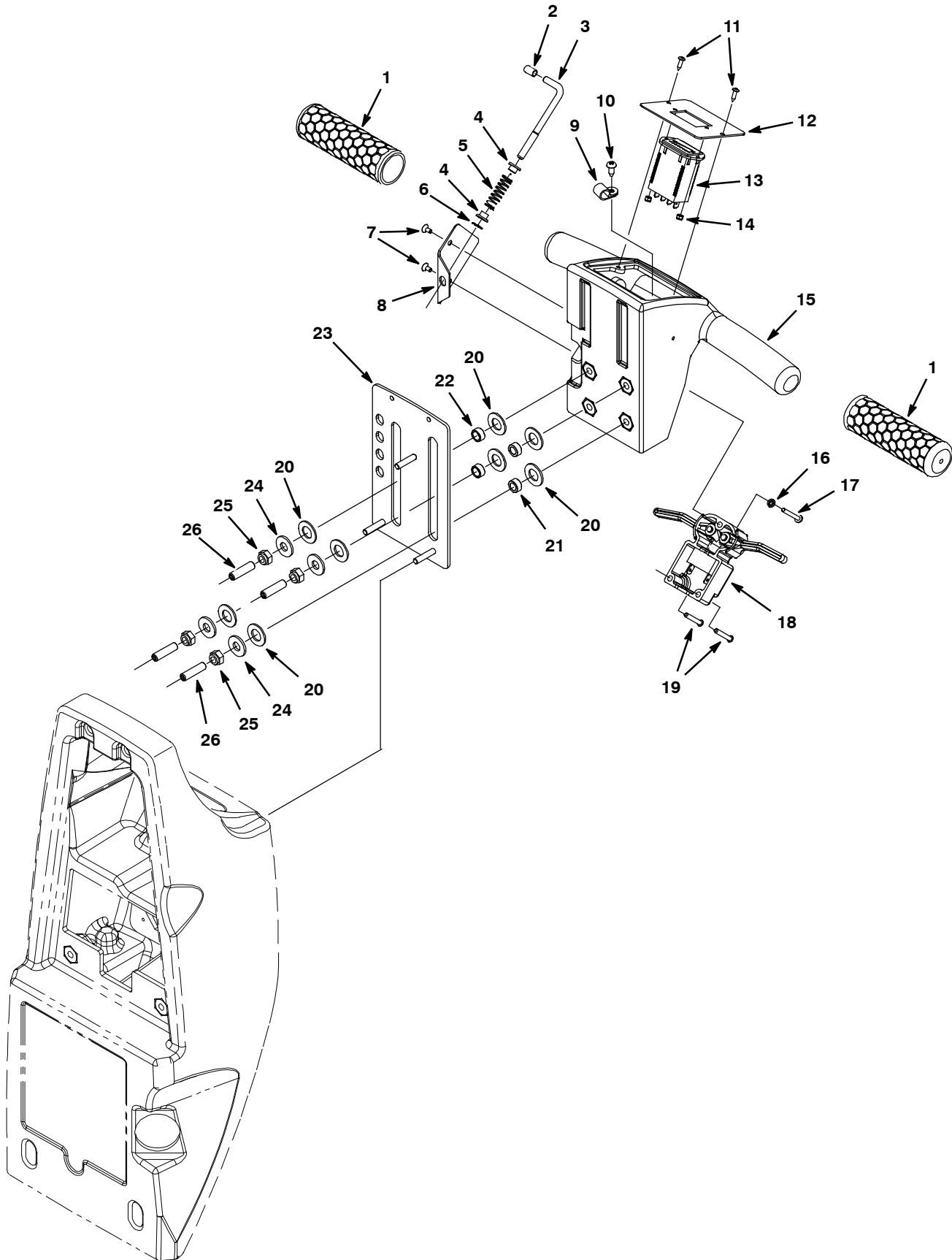
LOWER CONTROL CONSOLE GROUP



## LOWER CONTROL CONSOLE GROUP

Ref.	Part No.	Serial Number	Description	Qty.
1	140638	(30000000- 40000000 )	Nut, Hex, Pf08, Blk Nyl [Conduit]	1
2	130181	(30000000- 40000000 )	Grip, Cord, Strainrelief, .50npt	1
3	1031071	(30000000- 40000000 )	Console, Lower, Rm- Spg, Trimmed [Ss3]	1
4	59658	(30000000- 40000000 )	Screw, Hex, M8 X 1.25 X 35, Ss, NI	2
5	1016331	(30000000- 40000000 )	Washer, Flat, 0.34b 1.25d .11, Ss	2
6	1035469	(30000000- 40000000 )	Fitting, Plstc, Bm12 [Sight Tube]	1
7	07515	(30000000- 40000000 )	Washer, Lock, Int, 0.25 Ss	1
8	367770	(30000000- 40000000 )	Screw, Pan, M6 X 1.0 X 16, Ss	1
9	1020341	(30000000- 40000000 )	Screw, Hex, M8 X 1.25 X 20, Ss, Sems	4
10	41359	(30000000- 40000000 )	Nut, Hex, Std, M6 X 1.00, 8	3
11	01684	(30000000- 40000000 )	Washer,Flat 0.25, Ss	3
12	1054129	(30000000- 40000000 )	Bracket, Hsng, Cntrl, Alm [T3, Ss3]	1
13	1031025	(30000000- 40000000 )	Bushing, Sleeve, 6.5mmb 12mmd 18mml	3
14	07805	(30000000- 40000000 )	Screw, Hex, M6 X 1.0 X 35, Ss	2
15	07515	(30000000- 40000000 )	Washer, Lock, Int, 0.25, Ss	2
16	01684	(30000000- 40000000 )	Washer,Flat 0.25, Ss	2
17	1071570	(30000000- 40000000 )	Label, Instr, Ec- H2o, 4.0x6.50	1

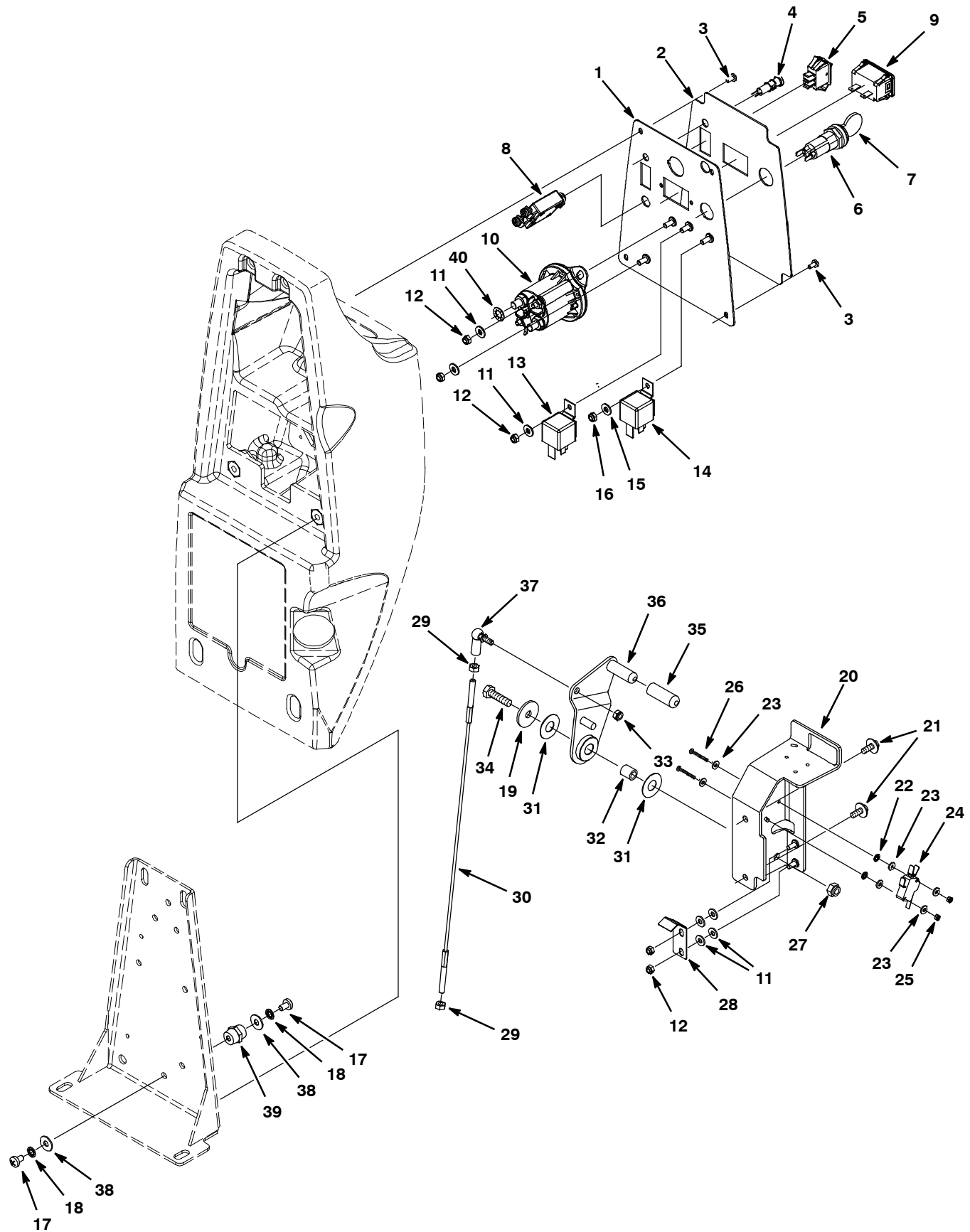
UPPER CONTROL CONSOLE GROUP, BRUSH ASSIST MODEL



## UPPER CONTROL CONSOLE GROUP, BRUSH ASSIST MODEL

Ref.	Part No.	Serial Number	Description	Qty.
1	1026407	(30000000- 40000000 )	Grip, Handle, 31.75mm Dia. X 117mm L	2
2	630094	(30000000- 40000000 )	Cap, Vinyl, 2.26 Id X 12.7lg, Blk	1
3	630081	(30000000- 40000000 )	Lever, Latch, Console Adjust	1
4	630083	(30000000- 40000000 )	Bushing, Latch	2
5	630082	(30000000- 40000000 )	Spring, Cmpr, 0.42od .04wir 01.8l, Pl,Mw	1
6	630084	(30000000- 40000000 )	Ring, Retaining, Ext, 4.62mm, [E- Ring]	1
7	49697	(30000000- 40000000 )	Screw, Pan, Phl, M4 X 0.70 X 10, Ss	2
8	630087	(30000000- 40000000 )	Plate, Latch, Retainer	1
9	140328	(30000000- 40000000 )	Clamp, Cable, Nyl, 0.38d, Blk	1
10	1009324	(30000000- 40000000 )	Screw, Pan, #10- 16 X 0.50,Phl,Blk[Ty- 17]	1
11	140825	(30000000- 40000000 )	Screw, Pan, #06 X 0.50, Phl, Blk,Fmg[Ab]	2
12	1031162	(30000000- 40000000 )	Panel, Cntrl, Upper, Battery Indicator	1
13	1057627	(30000000- 40000000 )	Indicator, Battery, 24vdc, 1.73volt/Cell	1
14	579211	(30000000- 40000000 )	Nut, Hex, Lock, M3 X 0.50, Ss	2
15	1031952	(30000000- 40000000 )	Console, Upper, Rm- Spg, Trimmed, Push	1
16	02938	(30000000- 40000000 )	Washer, Lock, Int, #08, Ss	1
17	33931	(30000000- 40000000 )	Screw, Pan, Phl, M4 X 0.70 X 30, Ss	1
18	1072354	(30000000- 40000000 )	Controlbox, Assy, Trigger	1
19	1032889	(30000000- 40000000 )	Screw, Pan, #8- 18 X 1.12, F/ Plstc	2
20	608562	(30000000- 40000000 )	Washer, Flat, 0.51b 0.94d .06, Nyl	8
21	607783	(30000000- 40000000 )	Bearing, Sleeve, .31id X .50od X .25,Brz	2
22	630259	(30000000- 40000000 )	Bearing, 9.5id 12.7od 6.4l,Brz	2
23	1030879	(30000000- 40000000 )	Plate, Slide, Console [Ss3]	1
24	01685	(30000000- 40000000 )	Washer, Flat, 0.38b 0.88d .08, Ss	4
25	08709	(30000000- 40000000 )	Nut, Hex, Lock, M8 X 1.25, NI	4
26	607461	(30000000- 40000000 )	Screw, Set, M8 X 1.25 X 35, NI	4

COMPONENT PANEL GROUP, BRUSH ASSIST MODEL (S/N 30009696 - )





## COMPONENT PANEL GROUP, BRUSH ASSIST MODEL (S/N 30009696 - )

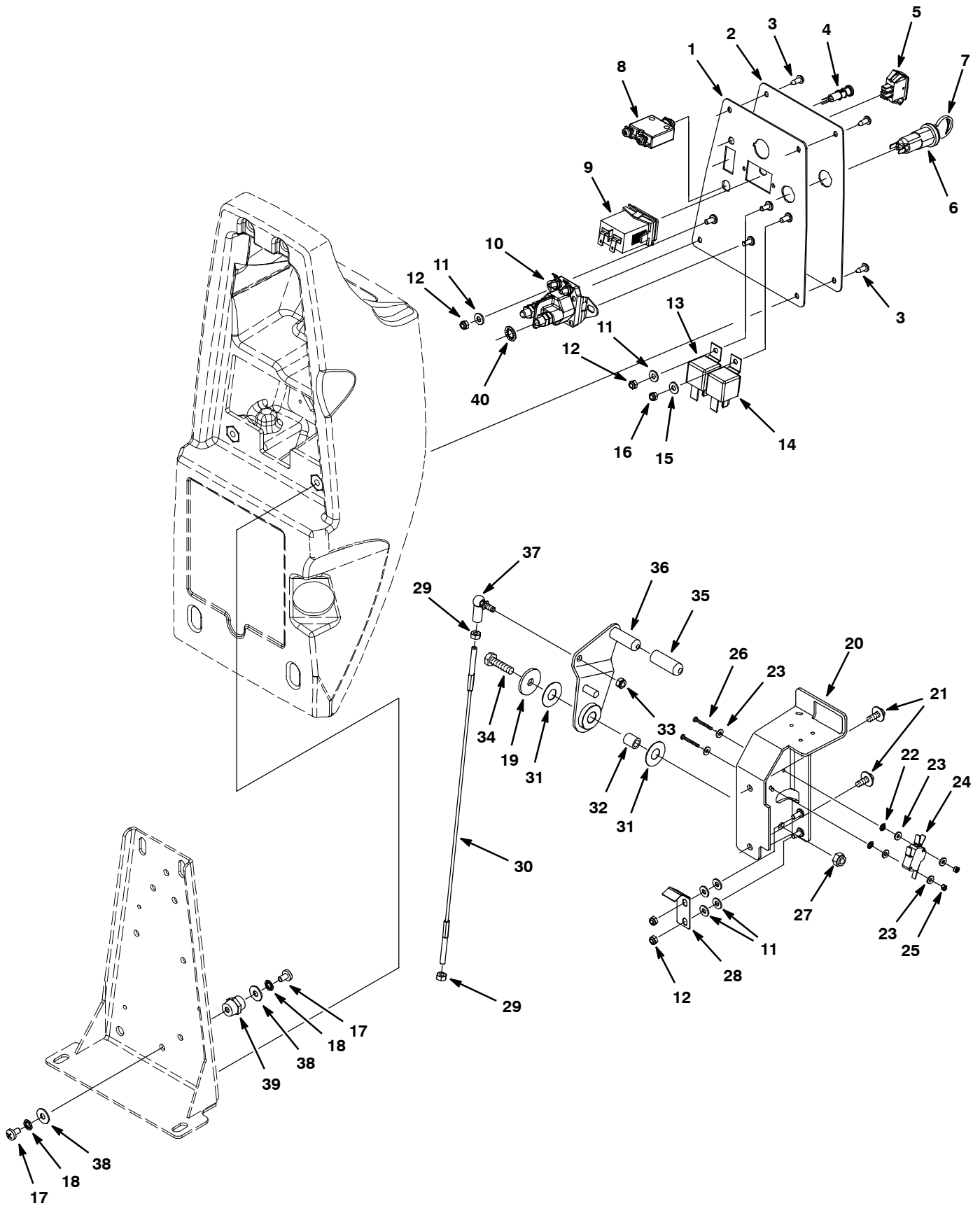
Ref.	Part No.	Serial Number	Description	Qty.	
1	1072584	(30009696- 40000000 )	Panel, Instmt, Lower [T3]	1	
2	1074023	(30009696- 40000000 )	Label, Panl, Instmt, Lower [T3/T3e/Ss3] (Standard & Fast Model)	1	
2	1074016	(30009696- 40000000 )	Label, Opertnl, Panl [T3 Ec- H2o, Na/Aej] (ec- H2O Model)	1	
3	1009324	(30000000- 40000000 )	Screw, Pan, #10- 16 X 0.50,Phl,Blk[Ty- 17]	4	
4	1041822	(30000000- 40000000 )	Light, Panel, Mgt, .312" Dia. (ec-H2O Model)	1	
5	130787	(30000000- 40000000 )	Switch, Rocker, Spdt (Fast & ec-H2O Model)	1	
▽	6	1011402	(30000000- 40000000 )	Switch, Key	1
▲	7	1017696	(30000000- 40000000 )	Key Set, Replmt [F/ Keyswitch 1011402]	1
8	1057902	(30000000- 40000000 )	Circuitbreaker, 35.0a	1	
9	1064038	(30000000- 40000000 )	Gauge, Hourmeter, 05- 277 Volt, Ac / Dc	1	
10	1066409	(30009696- 40000000 )	Relay, 24vdc, 150a, No [Trombetta]	2	
11	01683	(30000000- 40000000 )	Washer, Flat, #10, Ss	7	
12	09739	(30000000- 40000000 )	Nut, Hex, Lock, M5 X 0.80, NI, Ss	4	
13	1012216	(30000000- 40000000 )	Relay, 24vdc, 070a, Spst No, Plug- In	1	
14	1012216	(30000000- 40000000 )	Relay, 24vdc, 070a, Plug- In (Fast & ec-H2O Model)	1	
15	01683	(30000000- 40000000 )	Washer, Flat, #10, Ss (Fast & ec-H2O Model)	1	
16	09739	(30000000- 40000000 )	Nut, Hex, Lock, M5 X 0.80, NI, (Fast & ec-H2O Model)	1	
17	48732	(30000000- 40000000 )	Screw, Pan, M6 X 1.0 X 10, Ss	2	
18	07515	(30000000- 40000000 )	Washer, Lock, Int, 0.25, Ss	2	
19	1016331	(30000000- 40000000 )	Washer, Flat, 0.34b 1.25d .11, Ss	1	
20	1012850	(30000000- 40000000 )	Bracket Wldt, Lever, Sqge	1	
21	1034731	(30000000- 40000000 )	Screw, Hex, M6 X 1.00 X 16, Sems, Ss	2	
22	02938	(30000000- 40000000 )	Washer, Lock, Int, 08, Ss	2	
23	41578	(30000000- 40000000 )	Washer, Flat, #06, Ss	6	
24	1012568	(30000000- 40000000 )	Switch, Snap, 10a, Short	1	
25	579211	(30000000- 40000000 )	Nut, Hex, Lock, M3 X 0.50, Ss	2	
26	1042062	(30000000- 40000000 )	Screw, Hex, M3 X 0.5 X 25, Ss	2	
27	08713	(30000000- 40000000 )	Nut, Hex, Lock, M8 X 1.25, NI, Ss	1	
28	1073852	(30000000- 40000000 )	Spring, Lever, Sqge	1	
29	07785	(30000000- 40000000 )	Nut, Hex, Std, M6 X 1.00, A2, Ss	2	
30	1013479	(30000000- 40000000 )	Cable, Glv 3.18mmd 0412l M06/ M06	1	
31	1013397	(30000000- 40000000 )	Washer, Flat, M13 X 30 X 0.8, Nyl	2	
32	1014336	(30000000- 40000000 )	Sleeve, P/M, 8.40b 12.60d 14.5l, PI	1	
33	08712	(30000000- 40000000 )	Nut, Hex, Lock, M6 X 1.00, Ss, NI	1	
34	09011	(30000000- 40000000 )	Screw, Hex, M8 X 1.25 X 30, Ss	1	
35	1016895	(30000000- 40000000 )	Cap, Handle, Sqge Lift	1	
36	1013329	(30000000- 40000000 )	Lever Wldt, Sqge	1	
37	1012747	(30000000- 40000000 )	Balljoint, M06 X 1.0 Fem, M06 X 1.0 Mal	1	
38	01684	(30000000- 40000000 )	Washer, Flat, 0.27b 0.69d .05, Ss	2	
39	1013523	(30000000- 40000000 )	Stand- Off, Wir, M6, 18 Hex, 20l, Insul	1	
40	43952	(30000000- 40000000 )	Washer, Lock, Int, 0.31, Ss	1	

▽ ASSEMBLY

▲ INCLUDED IN ASSEMBLY

# STANDARD PARTS

## COMPONENT PANEL GROUP, BRUSH ASSIST MODEL (S/N 3000000 - 30009695)



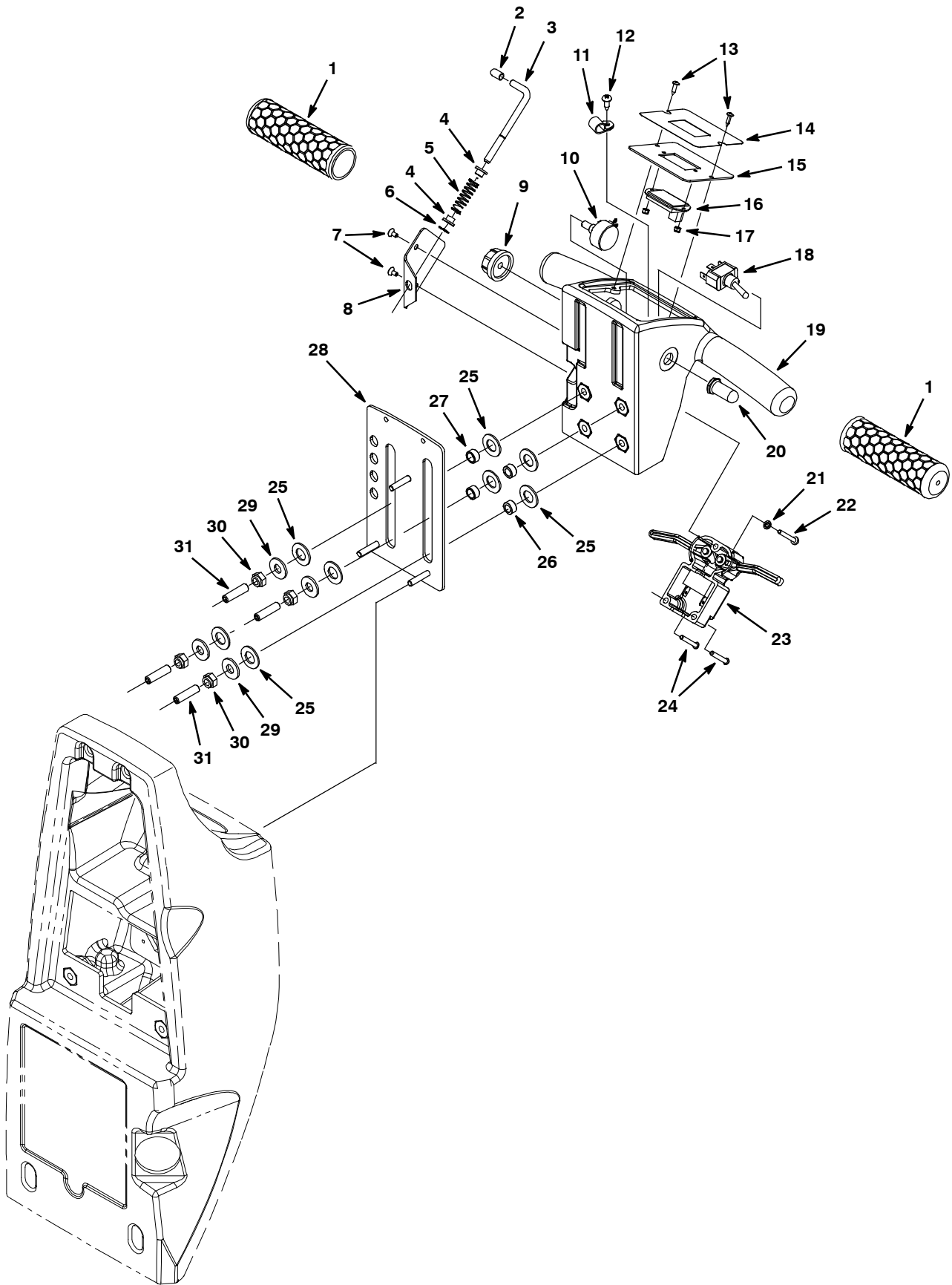
## COMPONENT PANEL GROUP, BRUSH ASSIST MODEL (S/N 30000000 - 30009695)

Ref.	Part No.	Serial Number	Description	Qty.	
1	1012134	(30000000- 30009695 )	Panel, Cntrl, Lower	1	
2	1016628	(30000000- 30009695 )	Label, Panl, Instmt, Lower [T3/T3e/Ss3] (Fast & Standard Model)	1	
2	1049998	(30000000- 30009695 )	Label, Console, Lower Ec- H2o [T3 Na/Aej] (ec-H2O Model)	1	
3	1009324	(30000000- 40000000 )	Screw, Pan, #10- 16 X 0.50,Phi,Blk[Ty- 17]	4	
4	1041822	(30000000- 40000000 )	Light, Panel, Mgt, .312" Dia. (ec-H2O Model)	1	
5	130787	(30000000- 40000000 )	Switch, Rocker, Spdt (Fast & ec-H2O Model)	1	
∇	6	1011402	(30000000- 40000000 )	Switch, Key	1
▲	7	1017696	(30000000- 40000000 )	Key Set, Replmt [F/ Keyswitch 1011402]	1
8	1057902	(30000000- 40000000 )	Circuitbreaker, 35.0a	1	
9	1064038	(30000000- 40000000 )	Gauge, Hourmeter, 05- 277 Volt, Ac / Dc	1	
10	1038490	(30000000- 30009695 )	Relay, 24vdc, 100a, No [Trombeta]	2	
11	01683	(30000000- 40000000 )	Washer, Flat, #10, Ss	7	
12	09739	(30000000- 40000000 )	Nut, Hex, Lock, M5 X 0.80, NI, Ss	4	
13	1012216	(30000000- 40000000 )	Relay, 24vdc, 070a, Spst No, Plug- In	1	
14	1012216	(30000000- 40000000 )	Relay, 24vdc, 070a, Spst No, Plug- In (Fast & ec-H2O Model)	1	
15	01683	(30000000- 40000000 )	Washer, Flat, #10, Ss (Fast & ec-H2O Model)	1	
16	09739	(30000000- 40000000 )	Nut, Hex, Lock, M5 X 0.80, NI, Ss (Fast & ec-H2O Model)	1	
17	48732	(30000000- 40000000 )	Screw, Pan, M6 X 1.0 X 10, Ss	2	
18	07515	(30000000- 40000000 )	Washer, Lock, Int, 0.25, Ss	2	
19	1016331	(30000000- 40000000 )	Washer, Flat, 0.34b 1.25d .11, Ss	1	
20	1012850	(30000000- 40000000 )	Bracket Wldt, Lever, Sqge	1	
21	1034731	(30000000- 40000000 )	Screw, Hex, M6 X 1.00 X 16, Sems, Ss	2	
22	02938	(30000000- 40000000 )	Washer, Lock, Int, 08, Ss	2	
23	41578	(30000000- 40000000 )	Washer, Flat, #06, Ss	6	
24	1012568	(30000000- 40000000 )	Switch, Snap, 10a, Short	1	
25	579211	(30000000- 40000000 )	Nut, Hex, Lock, M3 X 0.50, Ss	2	
26	1042062	(30000000- 40000000 )	Screw, Hex, M3 X 0.5 X 25, Ss	2	
27	08713	(30000000- 40000000 )	Nut, Hex, Lock, M8 X 1.25, NI, Ss	1	
28	1073852	(30000000- 40000000 )	Spring, Lever, Sqge	1	
29	07785	(30000000- 40000000 )	Nut, Hex, Std, M6 X 1.00, A2, Ss	2	
30	1013479	(30000000- 40000000 )	Cable, Glv 3.18mmd 0412l M06/ M06	1	
31	1013397	(30000000- 40000000 )	Washer, Flat, M13 X 30 X 0.8, Nyl	2	
32	1014336	(30000000- 40000000 )	Sleeve, P/M, 8.40b 12.60d 14.5l, PI	1	
33	08712	(30000000- 40000000 )	Nut, Hex, Lock, M6 X 1.00, Ss, NI	1	
34	09011	(30000000- 40000000 )	Screw, Hex, M8 X 1.25 X 30, Ss	1	
35	1016895	(30000000- 40000000 )	Cap, Handle, Sqge Lift	1	
36	1013329	(30000000- 40000000 )	Lever Wldt, Sqge	1	
37	1012747	(30000000- 40000000 )	Balljoint, M06 X 1.0 Fem, M06 X 1.0 Mal	1	
38	01684	(30000000- 40000000 )	Washer, Flat, 0.27b 0.69d .05, Ss	2	
39	1013523	(30000000- 40000000 )	Stand- Off, Wir, M6, 18 Hex, 20l, Insul	1	
40	43952	(30000000- 40000000 )	Washer, Lock, Int, 0.31, Ss	1	

∇ ASSEMBLY

▲ INCLUDED IN ASSEMBLY

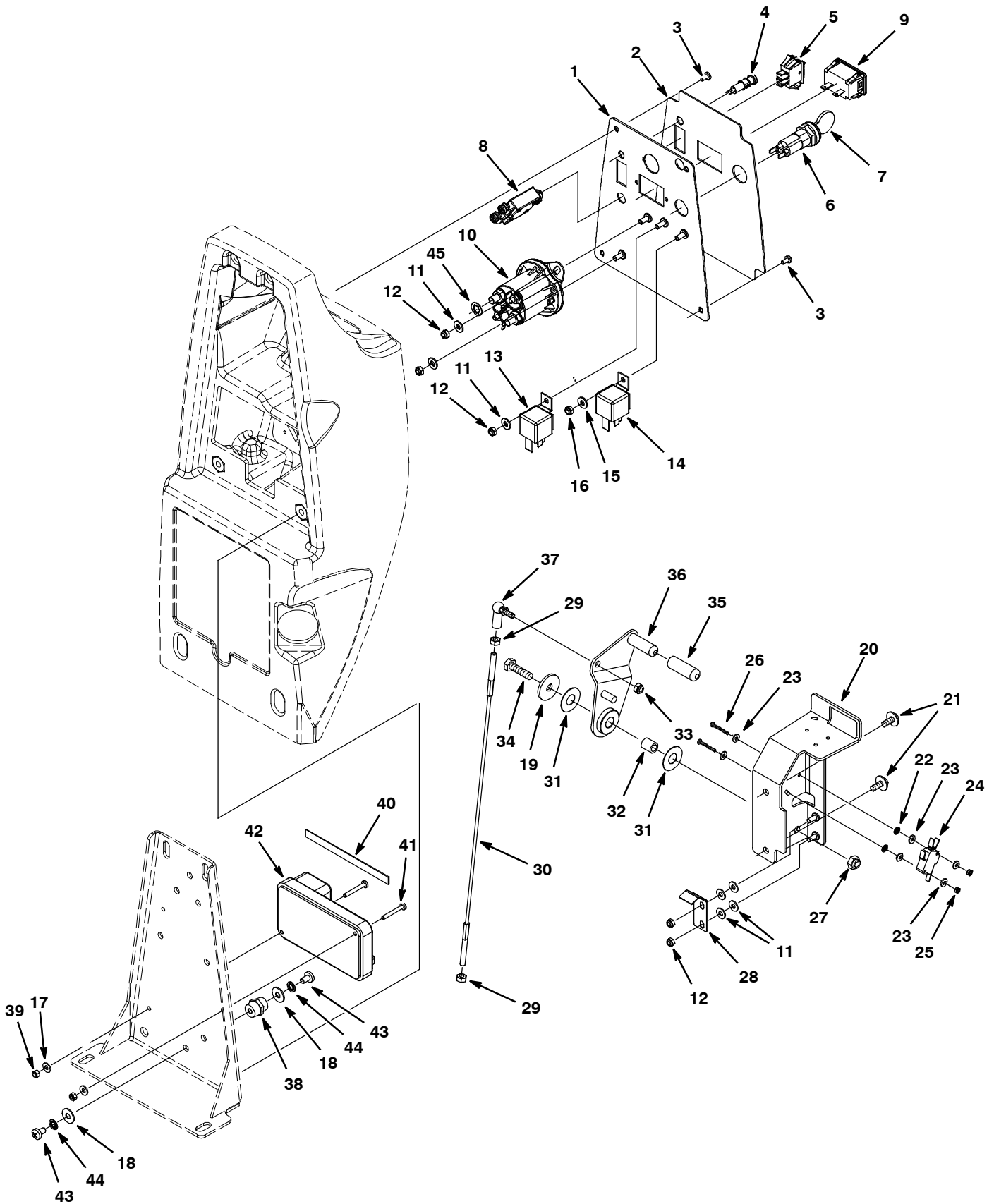
UPPER CONTROL CONSOLE GROUP, DRIVE MODEL



## UPPER CONTROL CONSOLE GROUP, DRIVE MODEL

Ref.	Part No.	Serial Number	Description	Qty.
1	1026407	(30000000- 40000000 )	Grip, Handle, 31.75mm Dia. X 117mm L	2
2	630094	(30000000- 40000000 )	Cap, Vinyl, 2.26 Id X 12.7lg, Blk	1
3	630081	(30000000- 40000000 )	Lever, Latch, Console Adjust	1
4	630083	(30000000- 40000000 )	Bushing, Latch	2
5	630082	(30000000- 40000000 )	Spring, Cmpr, 0.42od .04wir 01.8l, Pl,Mw	1
6	630084	(30000000- 40000000 )	Ring, Retaining, Ext, 4.62mm, [E- Ring]	1
7	49697	(30000000- 40000000 )	Screw, Pan, Phl, M4 X 0.70 X 10, Ss	2
8	630087	(30000000- 40000000 )	Plate, Latch, Retainer	1
9	1028037	(30000000- 40000000 )	Knob, 1.25d	1
10	1042687	(30000000- 40000000 )	Harness, Pot, Wire Assy [45k Ohm]	1
11	140328	(30000000- 40000000 )	Clamp, Cable, Nyl, 0.38d, Blk	1
12	1009324	(30000000- 40000000 )	Screw, Pan, #10- 16 X 0.50,Phl,Blk[Ty- 17]	1
13	140825	(30000000- 40000000 )	Screw, Pan, #06 X 0.50, Phl, Blk,Fmg[Ab]	2
14	1031582	(30000000- 40000000 )	Label, Panel, Cntrl, Upper	1
15	1031162	(30000000- 40000000 )	Panel, Cntrl, Upper, Battery Indicator	1
16	392894	(30000000- 40000000 )	Gauge, Discharge, Battery, 36vdc, Rt,Led	1
17	579211	(30000000- 40000000 )	Nut, Hex, Lock, M3 X 0.50, Ss	2
18	601108	(30000000- 40000000 )	Switch, Toggle, Mom / On / On	1
19	1031000	(30000000- 40000000 )	Console, Upper, Rm- Spg, Trimmmed (Ss3)	1
20	130753	(30000000- 40000000 )	Boot, Switch 1.00l Blk	1
21	02938	(30000000- 40000000 )	Washer, Lock, Int, #08, Ss	1
22	33931	(30000000- 40000000 )	Screw, Pan, Phl, M4 X 0.70 X 30, Ss	1
23	1072354	(30000000- 40000000 )	Controlbox, Assy, Trigger	1
24	1032889	(30000000- 40000000 )	Screw, Pan, #8- 18 X 1.12, F/ Plstc	2
25	608562	(30000000- 40000000 )	Washer, Flat, 0.51b 0.94d .06, Nyl	8
26	607783	(30000000- 40000000 )	Bearing, Sleeve, .31id X .50od X .25,Brz	2
27	630259	(30000000- 40000000 )	Bearing, 9.5id 12.7od 6.4l,Brz	2
28	1030879	(30000000- 40000000 )	Plate, Slide, Console [Ss3]	1
29	01685	(30000000- 40000000 )	Washer, Flat, 0.38b 0.88d .08, Ss	4
30	08709	(30000000- 40000000 )	Nut, Hex, Lock, M8 X 1.25, NI	4
31	607461	(30000000- 40000000 )	Screw, Set, M8 X 1.25 X 35, NI	4

COMPONENT PANEL GROUP, DRIVE MODEL (S/N 30009696 - )



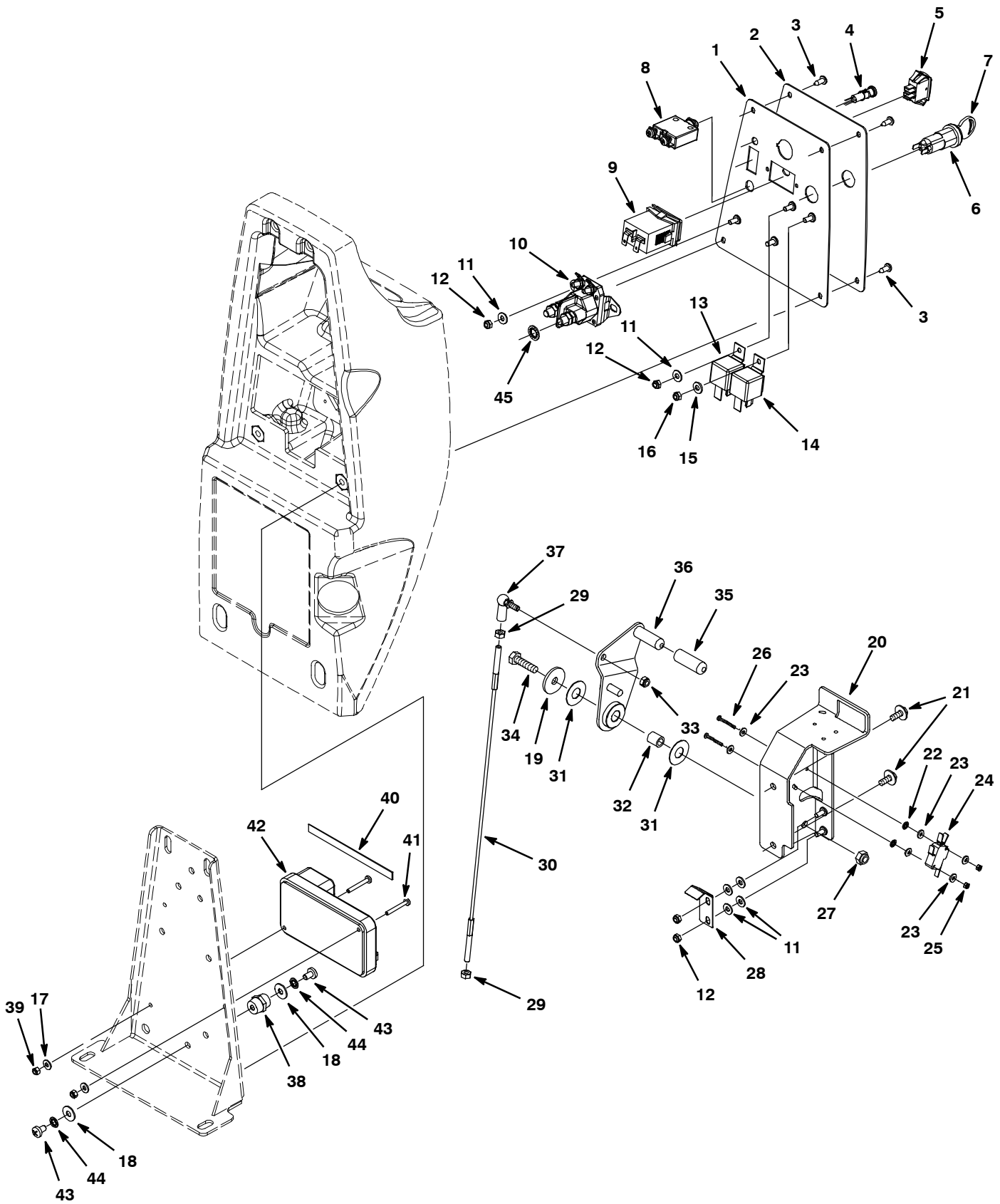
## COMPONENT PANEL GROUP, DRIVE MODEL (S/N 30009696 - )

Ref.	Part No.	Serial Number	Description	Qty.	
1	1072584	(30009696- 20000000 )	Panel, Instmt, Lower [T3]	1	
2	1074023	(30009696- 20000000 )	Label, Panl, Instmt, Lower [T3/T3e/Ss3] (Standard & Fast Model)	1	
2	1074016	(30009696- 20000000 )	Label, Opertnl, Panl [T3 Ec- H2o, Na/Aej] (ec- H2O Model)	1	
3	1009324	(30000000- 40000000 )	Screw, Pan, #10- 16 X 0.50,Phl,Blk[Ty- 17]	4	
4	1041822	(30000000- 40000000 )	Light, Panel, Mgt, .312" Dia. (ec-H2O Model)	1	
5	130787	(30000000- 40000000 )	Switch, Rocker, Spdt (Fast & ec-H2O Model)	1	
▽	6	1011402	(30000000- 40000000 )	Switch, Key	1
▲	7	1017696	(30000000- 40000000 )	Key Set, Replmt [F/ Keyswitch 1011402]	1
8	1057902	(30000000- 40000000 )	Circuitbreaker, 35.0a	1	
9	1064038	(30000000- 40000000 )	Gauge, Hourmeter, 05- 277 Volt, Ac / Dc	1	
10	1066409	(30009696- 20000000 )	Relay, 24vdc, 150a, No [Trombetta]	2	
11	01683	(30000000- 40000000 )	Washer, Flat, #10, Ss	7	
12	09739	(30000000- 40000000 )	Nut, Hex, Lock, M5 X 0.80, NI, Ss	4	
13	1012216	(30000000- 40000000 )	Relay, 24vdc, 070a, Spst No, Plug- In	1	
14	1012216	(30000000- 40000000 )	Relay, 24vdc, 070a, Plug- In (Fast & ec-H2O Model)	1	
15	01683	(30000000- 40000000 )	Washer, Flat, #10, Ss (Fast & ec-H2O Model)	1	
16	09739	(30000000- 40000000 )	Nut, Hex, Lock, M5 X 0.80, NI (Fast & ec-H2O Model)	1	
17	41579	(30000000- 40000000 )	Washer, Flat, #08, Ss	2	
18	01684	(30000000- 40000000 )	Washer, Flat, 0.27b 0.69d .05, Ss	2	
19	1016331	(30000000- 40000000 )	Washer, Flat, 0.34b 1.25d .11, Ss	1	
20	1012850	(30000000- 40000000 )	Bracket Wldt, Lever, Sqge	1	
21	1034731	(30000000- 40000000 )	Screw, Hex, M6 X 1.00 X 16, Sems, Ss	2	
22	02938	(30000000- 40000000 )	Washer, Lock, Int, 08, Ss	2	
23	41578	(30000000- 40000000 )	Washer, Flat, #06, Ss	6	
24	1012568	(30000000- 40000000 )	Switch, Snap, 10a, Short	1	
25	579211	(30000000- 40000000 )	Nut, Hex, Lock, M3 X 0.50, Ss	2	
26	1042062	(30000000- 40000000 )	Screw, Hex, M3 X 0.5 X 25, Ss	2	
27	08713	(30000000- 40000000 )	Nut, Hex, Lock, M8 X 1.25, NI, Ss	1	
28	1073852	(30000000- 40000000 )	Spring, Lever, Sqge	1	
29	07785	(30000000- 40000000 )	Nut, Hex, Std, M6 X 1.00, A2, Ss	2	
30	1013479	(30000000- 40000000 )	Cable, Glv 3.18mmd 0412l M06/ M06	1	
31	1013397	(30000000- 40000000 )	Washer, Flat, M13 X 30 X 0.8, Nyl	2	
32	1014336	(30000000- 40000000 )	Sleeve, P/M, 8.40b 12.60d 14.5l, PI	1	
33	08712	(30000000- 40000000 )	Nut, Hex, Lock, M6 X 1.00, Ss, NI	1	
34	09011	(30000000- 40000000 )	Screw, Hex, M8 X 1.25 X 30, Ss	1	
35	1016895	(30000000- 40000000 )	Cap, Handle, Sqge Lift	1	
36	1013329	(30000000- 40000000 )	Lever Wldt, Sqge	1	
37	1012747	(30000000- 40000000 )	Balljoint, M06 X 1.0 Fem, M06 X 1.0 Mal	1	
38	1013523	(30000000- 40000000 )	Stand- Off, Wir, M6, 18 Hex, 20l, Insul	1	
39	33932	(30000000- 40000000 )	Nut, Hex, Lock, M4 X 0.70, NI, Ss	2	
40	1020280	(30000000- 40000000 )	Seal, Afmkt, Rbr, Clsd, Adh, 01ft (C410217)	1	
41	33931	(30000000- 40000000 )	Screw, Pan, M4 X 0.7 X 30, Ss	2	
42	1052260	(30000000- 40000000 )	Module, Drive [T3]	1	
43	48732	(30000000- 40000000 )	Screw, Pan, M6 X 1.0 X 10, Ss	2	
44	07515	(30000000- 40000000 )	Washer, Lock, Int, 0.25, Ss	2	
45	43952	(30000000- 40000000 )	Washer, Lock, Int, 0.31, Ss	1	

▽ ASSEMBLY

▲ INCLUDED IN ASSEMBLY

COMPONENT PANEL GROUP, DRIVE MODEL (S/N 3000000 - 30009695)





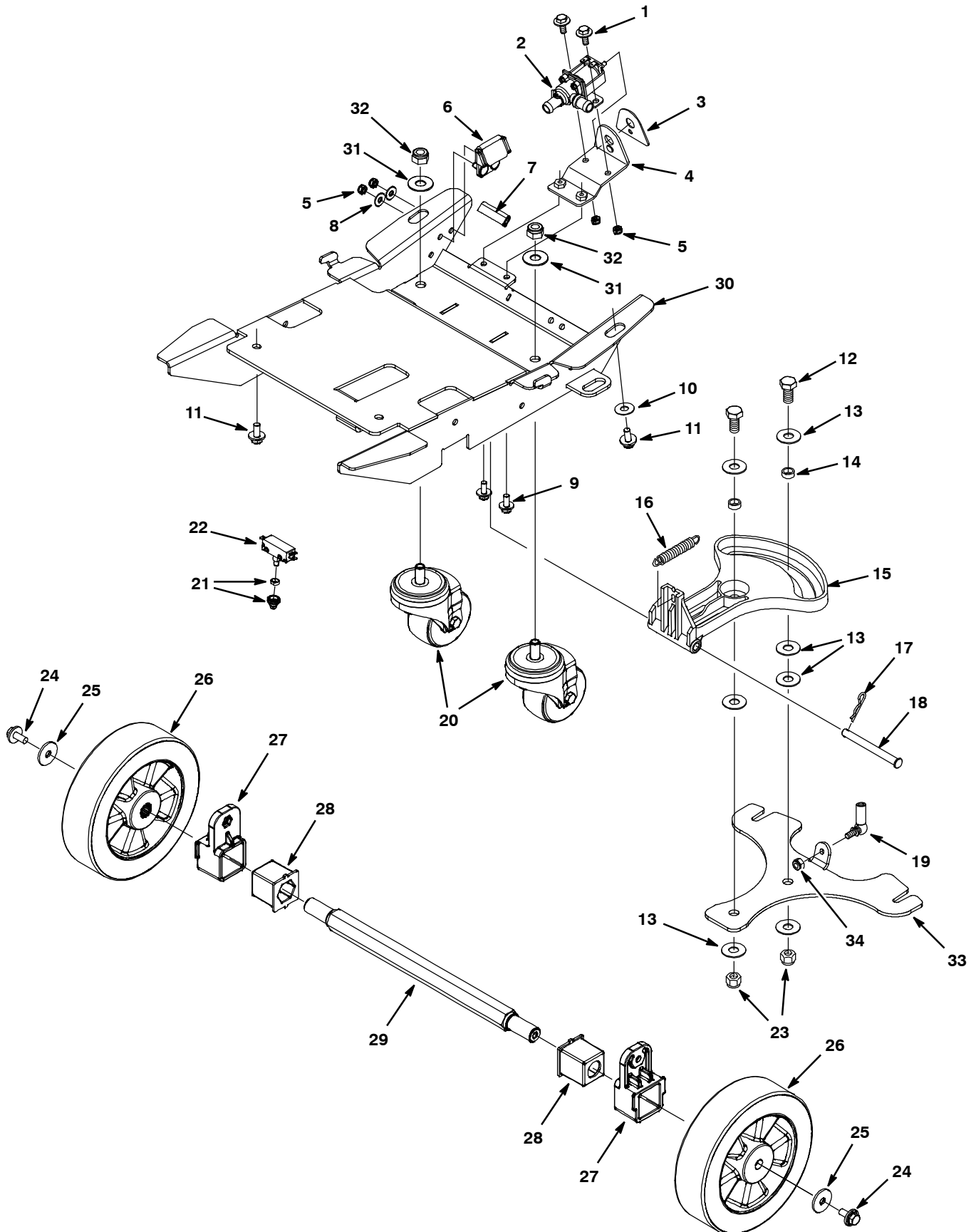
## COMPONENT PANEL GROUP, DRIVE MODEL (S/N 30000000 - 30009695)

Ref.	Part No.	Serial Number	Description	Qty.	
1	1012134	(30000000- 30009695 )	Panel, Cntrl, Lower	1	
2	1016628	(30000000- 30009695 )	Label, Panl, Instmt, Lower [T3/T3e/Ss3] (Fast & Standard Model)	1	
2	1049998	(30000000- 30009695 )	Label, Console, Lower Ec- H2o [T3 Na/Aej] (ec-H2O Model)	1	
3	1009324	(30000000- 40000000 )	Screw, Pan, #10- 16 X 0.50,Phl,Blk[Ty- 17]	4	
4	1041822	(30000000- 40000000 )	Light, Panel, Mgt, .312" Dia. (ec-H2O Model)	1	
5	130787	(30000000- 40000000 )	Switch, Rocker, Spdt (Fast & ec-H2O Model)	1	
▽	6	1011402	(30000000- 40000000 )	Switch, Key	1
▲	7	1017696	(30000000- 40000000 )	Key Set, Replmt [F/ Keyswitch 1011402]	1
8	1057902	(30000000- 40000000 )	Circuitbreaker, 35.0a	1	
9	1064038	(30000000- 40000000 )	Gauge, Hourmeter, 05- 277 Volt, Ac / Dc	1	
10	1038490	(30000000- 30009695 )	Relay, 24vdc, 100a, No [Trombetta]	2	
11	01683	(30000000- 40000000 )	Washer, Flat, #10, Ss	7	
12	09739	(30000000- 40000000 )	Nut, Hex, Lock, M5 X 0.80, NI, Ss	4	
13	1012216	(30000000- 40000000 )	Relay, 24vdc, 070a, Spst No, Plug- In	1	
14	1012216	(30000000- 40000000 )	Relay, 24vdc, 070a, Plug- In (Fast & ec-H2O Model)	1	
15	01683	(30000000- 40000000 )	Washer, Flat, #10, Ss (Fast & ec-H2O Model)	1	
16	09739	(30000000- 40000000 )	Nut, Hex, Lock, M5 X 0.80, NI (Fast & ec-H2O Model)	1	
17	41579	(30000000- 40000000 )	Washer, Flat, #08, Ss	2	
18	01684	(30000000- 40000000 )	Washer, Flat, 0.27b 0.69d .05, Ss	2	
19	1016331	(30000000- 40000000 )	Washer, Flat, 0.34b 1.25d .11, Ss	1	
20	1012850	(30000000- 40000000 )	Bracket Wldt, Lever, Sqge	1	
21	1034731	(30000000- 40000000 )	Screw, Hex, M6 X 1.00 X 16, Sems, Ss	2	
22	02938	(30000000- 40000000 )	Washer, Lock, Int, 08, Ss	2	
23	41578	(30000000- 40000000 )	Washer, Flat, #06, Ss	6	
24	1012568	(30000000- 40000000 )	Switch, Snap, 10a, Short	1	
25	579211	(30000000- 40000000 )	Nut, Hex, Lock, M3 X 0.50, Ss	2	
26	1042062	(30000000- 40000000 )	Screw, Hex, M3 X 0.5 X 25, Ss	2	
27	08713	(30000000- 40000000 )	Nut, Hex, Lock, M8 X 1.25, NI, Ss	1	
28	1073852	(30000000- 40000000 )	Spring, Lever, Sqge	1	
29	07785	(30000000- 40000000 )	Nut, Hex, Std, M6 X 1.00, A2, Ss	2	
30	1013479	(30000000- 40000000 )	Cable, Glv 3.18mmd 0412l M06/ M06	1	
31	1013397	(30000000- 40000000 )	Washer, Flat, M13 X 30 X 0.8, Nyl	2	
32	1014336	(30000000- 40000000 )	Sleeve, P/M, 8.40b 12.60d 14.5l, PI	1	
33	08712	(30000000- 40000000 )	Nut, Hex, Lock, M6 X 1.00, Ss, NI	1	
34	09011	(30000000- 40000000 )	Screw, Hex, M8 X 1.25 X 30, Ss	1	
35	1016895	(30000000- 40000000 )	Cap, Handle, Sqge Lift	1	
36	1013329	(30000000- 40000000 )	Lever Wldt, Sqge	1	
37	1012747	(30000000- 40000000 )	Balljoint, M06 X 1.0 Fem, M06 X 1.0 Mal	1	
38	1013523	(30000000- 40000000 )	Stand- Off, Wir, M6, 18 Hex, 20l, Insul	1	
39	33932	(30000000- 40000000 )	Nut, Hex, Lock, M4 X 0.70, NI, Ss	2	
40	1020280	(30000000- 40000000 )	Seal, Afmkt, Rbr, Clsd, Adh, 01ft (C410217)	1	
41	33931	(30000000- 40000000 )	Screw, Pan, M4 X 0.7 X 30, Ss	2	
42	1052260	(30000000- 40000000 )	Module, Drive [T3]	1	
43	48732	(30000000- 40000000 )	Screw, Pan, M6 X 1.0 X 10, Ss	2	
44	07515	(30000000- 40000000 )	Washer, Lock, Int, 0.25, Ss	2	
45	43952	(30000000- 40000000 )	Washer, Lock, Int, 0.31, Ss	1	

▽ ASSEMBLY

▲ INCLUDED IN ASSEMBLY

WHEEL GROUP, BRUSH ASSIST MODEL



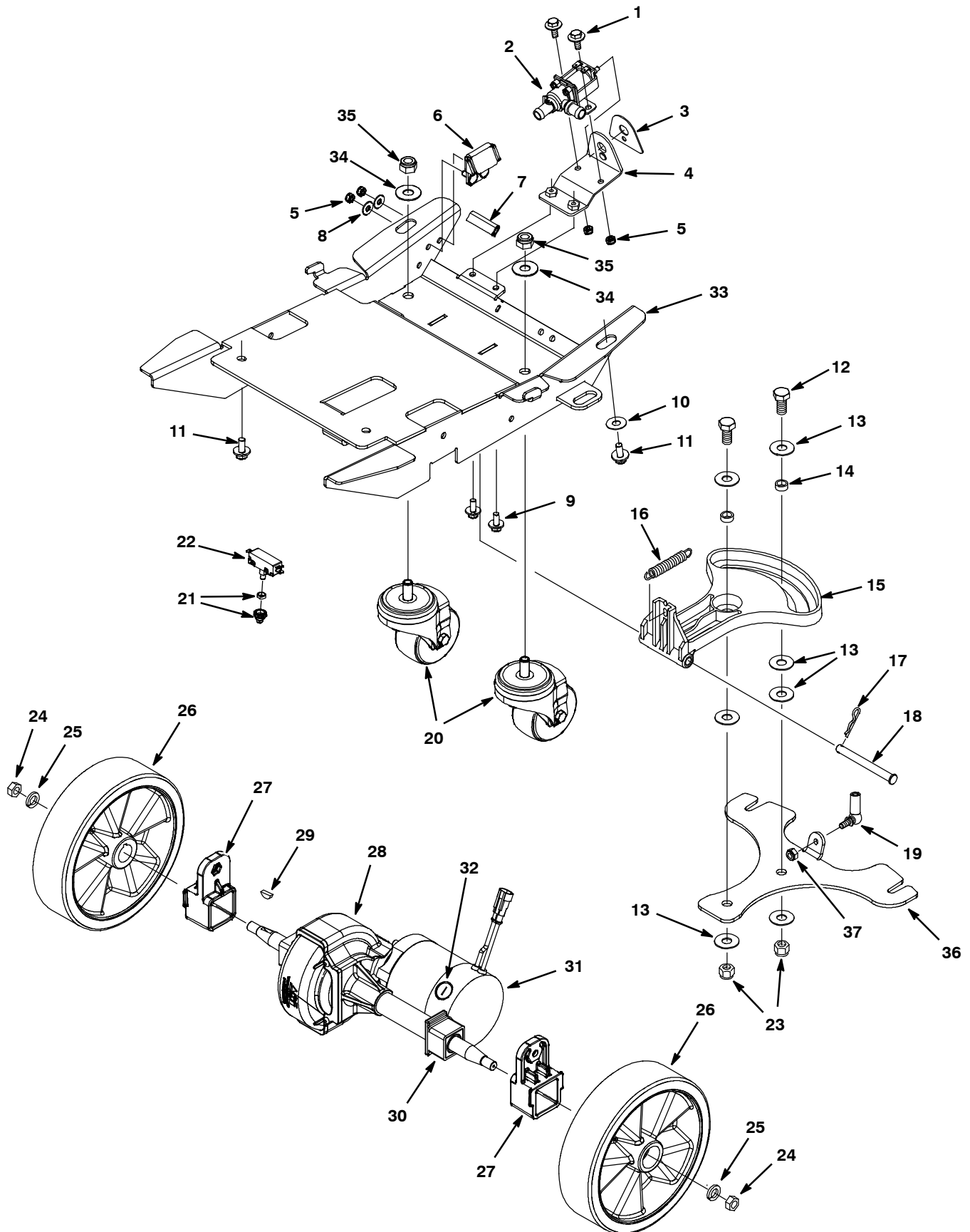
## WHEEL GROUP, BRUSH ASSIST MODEL

Ref.	Part No.	Serial Number	Description	Qty.	
1	1034731	(30000000- 40000000 )	Screw, Hex, M6 X 1.00 X 16, Ss, Sems	2	
2	1213803	(30044532- 40000000 )	Valve, Water, Solenoid, 24vdc, Bm10/Bm10	1	
▽	2	1062385	(30000000- 30044531 )	Valve, Water, Solenoid, 24vdc Bm10/Bm10	1
▲	614265	(30000000- 30044531 )	Valve Kit, Water [Viton Diaphragm]	1	
3	1014156	(30000000- 40000000 )	Label, Opertnl, Lower, Soltn Flow	1	
4	1037292	(30000000- 40000000 )	Bracket, Mtg, Valve, Soltn [Ss3]	1	
5	08712	(30000000- 40000000 )	Nut, Hex, Lock, M6 X 1.0, Ss, NI	4	
6	1013946	(30000000- 40000000 )	Bracket, Locking, Pedal, Foot Ylw	1	
7	1034551	(30000000- 40000000 )	Trim, Plstc, Edge, .12 X .56 X 1.75	1	
8	01684	(30000000- 40000000 )	Washer, Flat, 0.25 Ss	2	
9	08716	(30000000- 40000000 )	Screw, Hex, M6 X 1.00 X 20, SS	2	
10	1016331	(30000000- 40000000 )	Washer, Flat, 0.34b 1.25d .11, Ss	2	
11	1020341	(30000000- 40000000 )	Screw, Hex, M8 X 1.25 X 20, Ss, Sems	4	
12	12309	(30000000- 40000000 )	Screw, Hex, M12 X 1.75 X 30, Ss	2	
13	140045	(30000000- 40000000 )	Washer, Flat, 0.51b 1.25d .06, Ss	7	
14	1013662	(30000000- 40000000 )	Bushing, Sleeve, 12mm 16mm 6.5mml, Pm Yw	2	
15	1023389	(30000000- 40000000 )	Bracket, Sqge, Lift, Mold Blk, Nyl	1	
16	1008721	(30000000- 40000000 )	Spring, Extn, 0.75od 0.09wir 03.5l	1	
17	44906	(30000000- 40000000 )	Pin, Cotter, Hair, 0.69d .092 Wir	1	
18	1013610	(30000000- 40000000 )	Pin, Clevis, 10mmd X 100mml	1	
19	1012747	(30000000- 40000000 )	Balljoint, M6 X 1.0 Fem, M6 X 1.0 Mal	1	
20	1019008	(30000000- 40000000 )	Caster, Swivel, 80mmd, M12 X 25, Clr PI	2	
21	1035711	(30000000- 40000000 )	Boot, Switch, Hex Nut, .38- 32 Thd	1	
22	1071996	(30000000- 40000000 )	Switch, Push, Snap Action, 25a	1	
23	09741	(30000000- 40000000 )	Nut, Hex, Lock, M12 X 1.75, NI, Ss	2	
24	1020341	(30000000- 40000000 )	Screw, Hex, M8 X 1.25 X 20, Ss, Sems	2	
25	1016331	(30000000- 40000000 )	Washer, Flat, 0.34b 1.25d .11, Ss	2	
26	1013248	(30000000- 40000000 )	Wheel, Scrbr, 198.00 Mm With Bearing	2	
27	1028292	(30000000- 40000000 )	Adapter, Mtg, Axle, Alm	2	
28	1028381	(30000000- 40000000 )	Grommet, Axle	2	
29	1028382	(30000000- 40000000 )	Axle, Wheel, Hex, Clr Zn	1	
▽	30	9008680	(30000000- 40000000 )	Frame Kit, Main, W/ Caster Fastenrs [T3]	1
▲	31	140045	(30000000- 40000000 )	Washer, Flat, 0.51b 1.25d .06, Ss	2
▲	32	09741	(30000000- 40000000 )	Nut, Hex, Lock, M12 X 1.75, NI, Ss	2
33	1066505	(30000000- 40000000 )	Bracket, Mtg, Sqge, Stl [T3]	1	
34	08712	(30000000- 40000000 )	Nut, Hex, Lock, M6 X 1.00, NI, Ss	1	

▽ ASSEMBLY

▲ INCLUDED IN ASSEMBLY

WHEEL GROUP, DRIVE MODEL



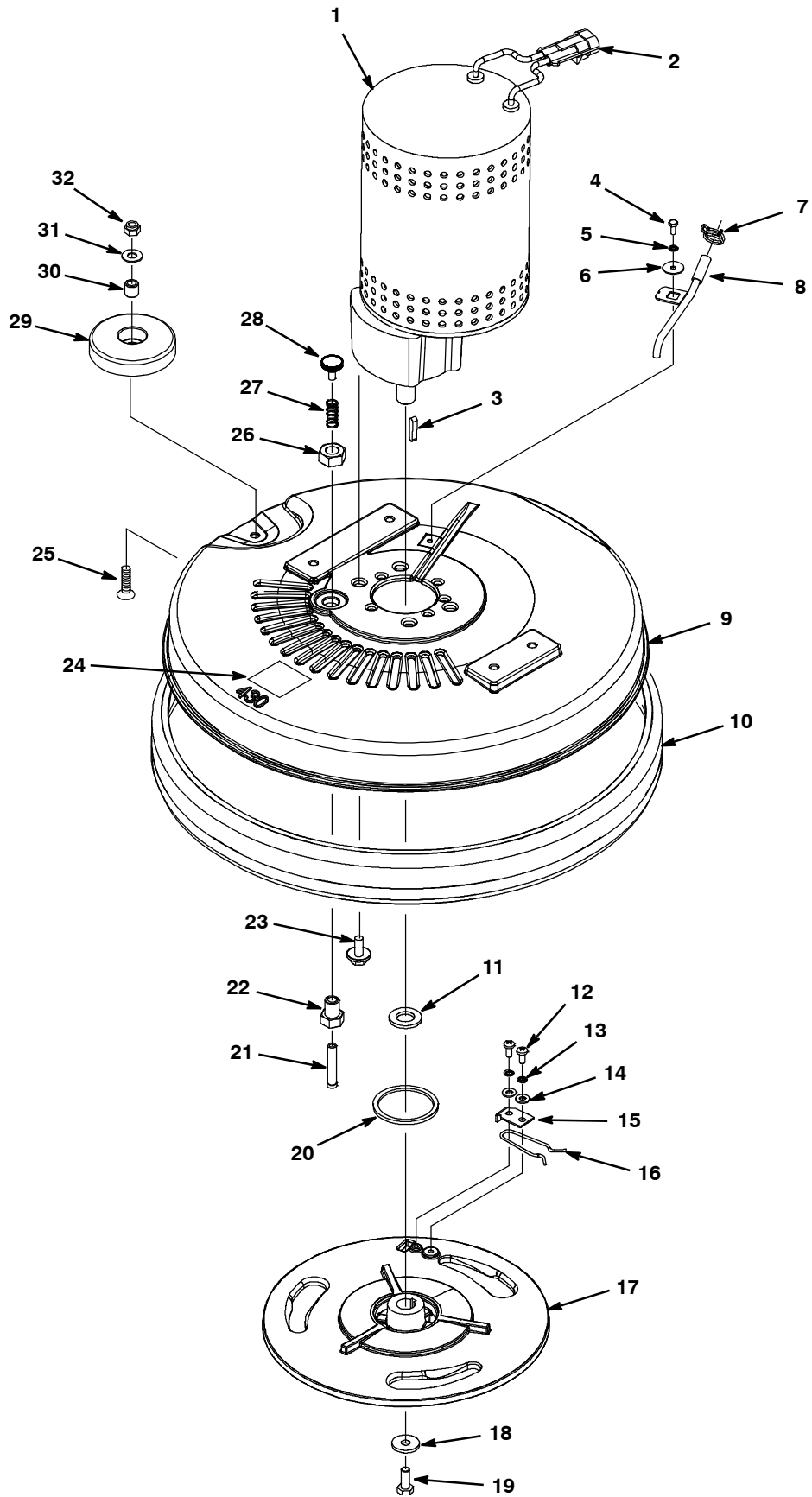
## WHEEL GROUP, DRIVE MODEL

Ref.	Part No.	Serial Number	Description	Qty.	
1	1034731	(30000000- 40000000 )	Screw, Hex, M6 X 1.00 X 16, Ss, Sems	2	
2	1213803	(30044532- 40000000 )	Valve, Water, Solenoid, 24vdc, Bm10/Bm10	1	
▽	2	1062385	(30000000- 30044531 )	Valve, Water, Solenoid, 24vdc Bm10/Bm10	1
▲	614265	(30000000- 30044531 )	Valve Kit, Water [Viton Diaphragm]	1	
3	1014156	(30000000- 40000000 )	Label, Opertnl, Lower, Soltn Flow	1	
4	1037292	(30000000- 40000000 )	Bracket, Mtg, Valve, Soltn	1	
5	08712	(30000000- 40000000 )	Nut, Hex, Lock, M6 X 1.0, Ss, NI	4	
6	1013946	(30000000- 40000000 )	Bracket, Locking, Pedal, Foot Ylw	1	
7	1034551	(30000000- 40000000 )	Trim, Plstc, Edge, .12 X .56 X 1.75	1	
8	01684	(30000000- 40000000 )	Washer, Flat, 0.25 Ss	2	
9	08716	(30000000- 40000000 )	Screw, Hex, M6 X 1.00 X 20, SS	2	
10	1016331	(30000000- 40000000 )	Washer, Flat, 0.34b 1.25d .11, Ss	2	
11	1020341	(30000000- 40000000 )	Screw, Hex, M8 X 1.25 X 20, Ss, Sems	4	
12	12309	(30000000- 40000000 )	Screw, Hex, M12 X 1.75 X 30, Ss	2	
13	140045	(30000000- 40000000 )	Washer, Flat, 0.51b 1.25d .06, Ss	7	
14	1013662	(30000000- 40000000 )	Bushing, Sleeve, 12mm 16mm 6.5mml, Pm Yw	2	
15	1023389	(30000000- 40000000 )	Bracket, Sqge, Lift, Mold Blk, Nyl	1	
16	1008721	(30000000- 40000000 )	Spring, Extn, 0.75od 0.09wir 03.5l	1	
17	44906	(30000000- 40000000 )	Pin, Cotter, Hair, 0.69d .092 Wir	1	
18	1013610	(30000000- 40000000 )	Pin, Clevis, 10mmd X 100mml	1	
19	1012747	(30000000- 40000000 )	Balljoint, M6 X 1.0 Fem, M6 X 1.0 Mal	1	
20	1019008	(30000000- 40000000 )	Caster, Swivel, 80mmd, M12 X 25, Clr PI	2	
21	1035711	(30000000- 40000000 )	Boot, Switch, Hex Nut, .38- 32 Thd	1	
22	1071996	(30000000- 40000000 )	Switch, Push, Snap Action, 25a	1	
23	09741	(30000000- 40000000 )	Nut, Hex, Lock, M12 X 1.75, NI, Ss	2	
24	07788	(30000000- 40000000 )	Nut, Hex, Std, M12 X 1.75, Ss	2	
25	140024	(30000000- 40000000 )	Washer, Lock, Split, 0.50, Ss	2	
26	1039655	(30000000- 40000000 )	Wheel, Scrbr, 198.00mm, W/ Taper [T3]	2	
27	1028292	(30000000- 40000000 )	Adapter, Mtg, Axle, Alm	2	
▽	28	1039475	(30000000- 40000000 )	Transaxle, Ele, 24vdc, 112rpm, Pkrd,Dfma	1
▲	1017782	(30000000- 40000000 )	Coupling Kit, Transaxle, Replmt [11057]	1	
▲	29	1021167	(30000000- 40000000 )	Key, Woodruff, 5mm	2
▲	30	612880	(30000000- 40000000 )	Sleeve, Transaxle, Replmt	2
▲▽	31	1019916	(30000000- 40000000 )	Motor, Transaxle, 24vdc, Replmt	1
▲▲	32	614166	(30000000- 40000000 )	Brush Kit, Carbon [Qty 4]	1
▽	33	9008680	(30000000- 40000000 )	Frame Kit, Main, W/ Caster Fastenrs [T3]	1
▲	34	140045	(30000000- 40000000 )	Washer, Flat, 0.51b 1.25d .06, Ss	2
▲	35	09741	(30000000- 40000000 )	Nut, Hex, Lock, M12 X 1.75, NI, Ss	2
	36	1066505	(30000000- 40000000 )	Bracket, Mtg, Sqge, Stl [T3]	1
	37	08712	(30000000- 40000000 )	Nut, Hex, Lock, M6 X 1.00, NI, Ss	1
N/S	130773	(30000000- 40000000 )	Tie, Cable, Nyl, 11.0l, .14w, 3.0 Max. D	4	

▽ ASSEMBLY

▲ INCLUDED IN ASSEMBLY

SCRUB HEAD GROUP, 43 cm MODEL



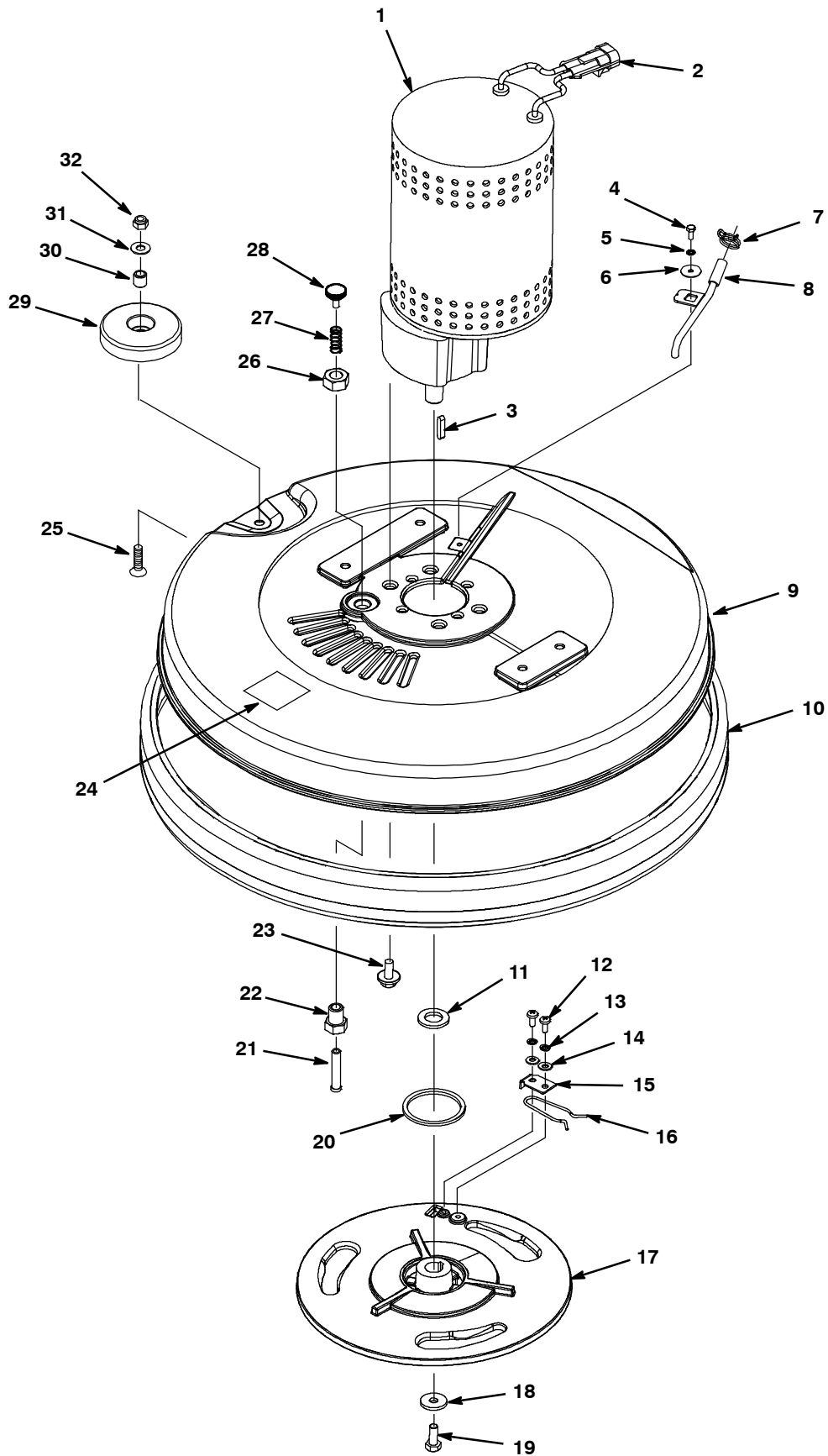
## SCRUB HEAD GROUP, 43 cm MODEL

Ref.	Part No.	Serial Number	Description	Qty.
▽	1	1062544	(30000000- 40000000 ) Motor, Ele, 24vdc 0200rpm 1.00hp, 17mm	1
▲		1045790	(30000000- 40000000 ) Brush Kit, Replmt, Carbon 24vdc [4pc = 1kit]	1
▲	2	607798	(30000000- 40000000 ) Terminal Mal Brush Motor Leads	2
▲	2	607801	(30000000- 40000000 ) Clip, Position, Terminal [Packard]	1
	3	1014328	(30000000- 40000000 ) Key, Sq, 05mm X 05mm, 25mml	1
	4	1020234	(30000000- 40000000 ) Screw, Hex, M4 X 0.7 X 10, Ss	1
	5	02938	(30000000- 40000000 ) Washer, Lock, Int, 08, Ss	1
	6	1009168	(30000000- 40000000 ) Washer, Flat, 0.17b 0.75d .04, Ss	1
	7	607775	(30000000- 40000000 ) Clamp, Hose, Wir, .63 - .66, Blk	1
	8	1016155	(30000000- 40000000 ) Tube Wldt, Supply, Water	1
	9	1048186	(30000000- 40000000 ) Housing, Head, 43cm [Die Cast]	1
	10	1055019	(30000000- 40000000 ) Bumper, Head, 43cm, W/ Bristle Skirt, Im	1
	11	1022549	(30000000- 40000000 ) Spacer, Shaft, 17.15b 30.0d 3.0l, Ss	1
	12	09200	(30000000- 40000000 ) Screw, Pan, M5 X 0.8 X 12, Ss	2
	13	07514	(30000000- 40000000 ) Washer, Lock, Int, #10, Ss	2
	14	01683	(30000000- 40000000 ) Washer, Flat, 0.22b 0.50d .05, Ss [#10]	2
	15	1011201	(30000000- 40000000 ) Plate, Clamp, Brush	1
	16	1013188	(30000000- 40000000 ) Clip, Spring, Drive Plate Yel Pl	1
	17	1063046	(30000000- 40000000 ) Hub, Drive, 3lug, Alm, 17.0b [Heavy Dp]	1
	18	1017218	(30000000- 40000000 ) Washer, Flat, 0.32b 1.00d .12, Ss	1
	19	12273	(30000000- 40000000 ) Screw, Hex, M8 X 1.25 X 20, NI, Ss	1
	20	1016426	(30000000- 40000000 ) Ring, Water, Containment	1
	21	1037399	(30000000- 40000000 ) Pin, Stop, 8.3mmd X 42mml	1
	22	605825	(30000000- 40000000 ) Screw, Stop, Head Pin	1
	23	1020341	(30000000- 40000000 ) Screw, Hex, M8 X 1.25 X 20, Ss, Sems	4
	24	578769	(30000000- 40000000 ) Label, Moving Parts	1
	25	79506	(30000000- 40000000 ) Screw, Flt, M8 X 1.25 X 30, Ss	1
	26	1037470	(30000000- 40000000 ) Nut, Hex, M14 X 2.00, Ss	1
	27	1037400	(30000000- 40000000 ) Spring, Cmpr, .42od, .04wir, 1.0l, Pl,Mw	1
	28	603012	(30000000- 40000000 ) Knob, Rnd, 19.0d M6 X 12, Stud, Plstc,Pl	1
	29	1010560	(30000000- 40000000 ) Wheel, Bmpr, 80d X 25w, Non- Marking	1
	30	222460	(30000000- 40000000 ) Sleeve, P/M, 0.31b 0.50d 0.5l	1
	31	140027	(30000000- 40000000 ) Washer, Flat, 0.35b 0.75d .04, Ss	1
	32	08713	(30000000- 40000000 ) Nut, Hex, Lock, M8 X 1.25, NI, Ss	1

▽ ASSEMBLY

▲ INCLUDED IN ASSEMBLY

SCRUB HEAD GROUP, 50 cm MODEL





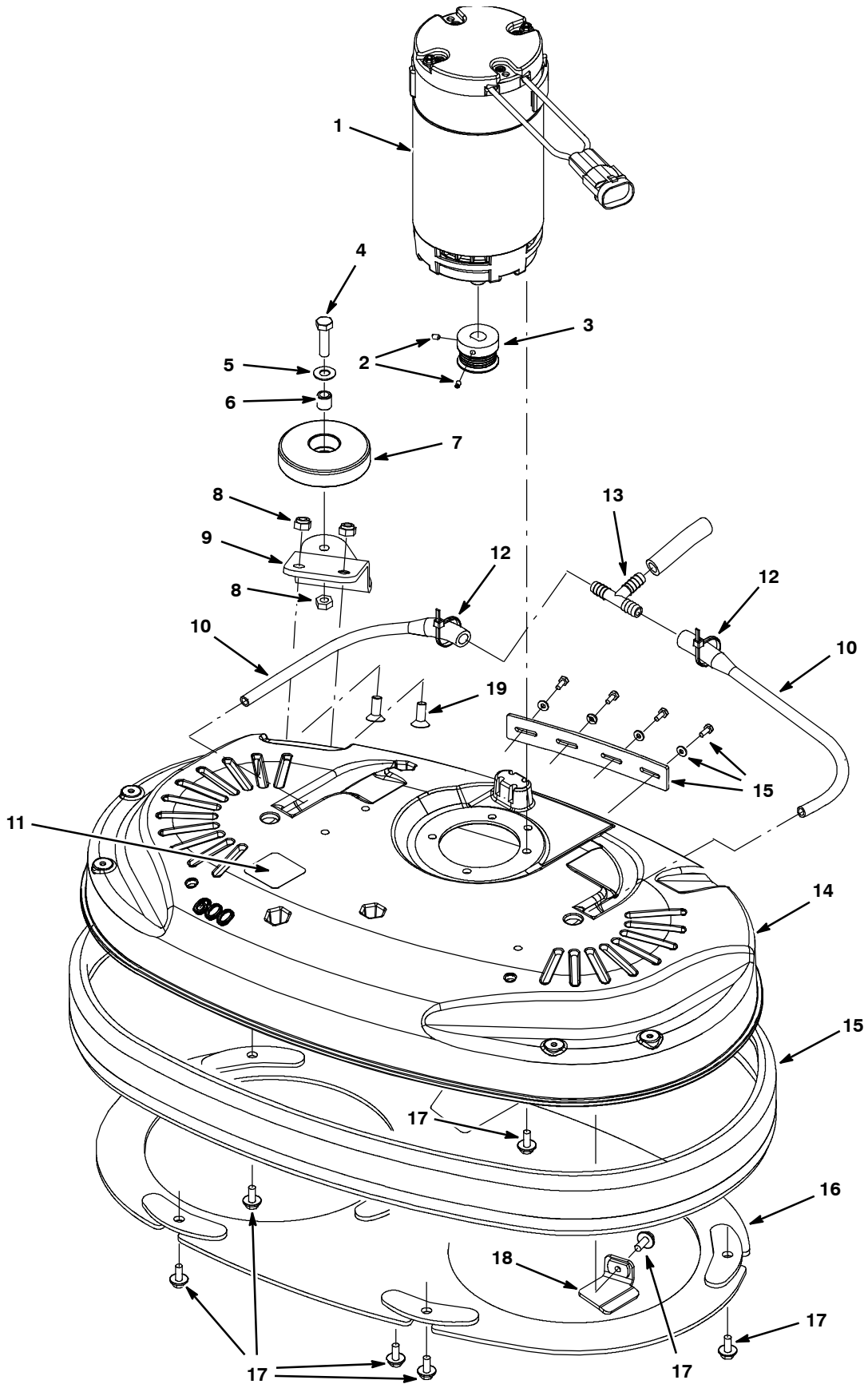
## SCRUB HEAD GROUP, 50 cm MODEL

Ref.	Part No.	Serial Number	Description	Qty.
▽	1	1062544	(30000000- 40000000 ) Motor, Ele, 24vdc 0200rpm 1.00hp, 17mm	1
▲		1045790	(30000000- 40000000 ) Brush Kit, Replmt, Carbon 24vdc [4pc = 1kit]	1
▲	2	607798	(30000000- 40000000 ) Terminal Mal Brush Motor Leads	2
▲	2	607801	(30000000- 40000000 ) Clip, Position, Terminal [Packard]	1
	3	1014328	(30000000- 40000000 ) Key, Sq, 05mm X 05mm, 25mml	1
	4	1020234	(30000000- 40000000 ) Screw, Hex, M4 X 0.7 X 10, Ss	1
	5	02938	(30000000- 40000000 ) Washer, Lock, Int, 08, Ss	1
	6	1009168	(30000000- 40000000 ) Washer, Flat, 0.17b 0.75d .04, Ss	1
	7	607775	(30000000- 40000000 ) Clamp, Hose, Wir, .63 - .66, Blk	1
	8	1016155	(30000000- 40000000 ) Tube Wldt, Supply, Water	1
	9	1036813	(30000000- 40000000 ) Housing, Head, 50cm, Die Cstg	1
	10	1055025	(30000000- 40000000 ) Bumper, Head, 50cm, W/ Bristle Skirt, Im	1
	11	1022549	(30000000- 40000000 ) Spacer, Shaft, 17.15b 30.0d 3.0l, Ss	1
	12	09200	(30000000- 40000000 ) Screw, Pan, M5 X 0.8 X 12, Ss	2
	13	07514	(30000000- 40000000 ) Washer, Lock, Int, #10, Ss	2
	14	01683	(30000000- 40000000 ) Washer, Flat, 0.22b 0.50d .05, Ss [#10]	2
	15	1011201	(30000000- 40000000 ) Plate, Clamp, Brush	1
	16	1013188	(30000000- 40000000 ) Clip, Spring, Drive Plate Yel Pl	1
	17	1063046	(30000000- 40000000 ) Hub, Drive, 3lug, Alm, 17.0b [Heavy Dp]	1
	18	1017218	(30000000- 40000000 ) Washer, Flat, 0.32b 1.00d .12, Ss	1
	19	12273	(30000000- 40000000 ) Screw, Hex, M8 X 1.25 X 20, NI, Ss	1
	20	1016426	(30000000- 40000000 ) Ring, Water, Containment	1
	21	1037399	(30000000- 40000000 ) Pin, Stop, 8.3mmd X 42mml	1
	22	605825	(30000000- 40000000 ) Screw, Stop, Head Pin	1
	23	1020341	(30000000- 40000000 ) Screw, Hex, M8 X 1.25 X 20, Ss, Sems	4
	24	578769	(30000000- 40000000 ) Label, Moving Parts	1
	25	79506	(30000000- 40000000 ) Screw, Flt, M8 X 1.25 X 30, Ss	1
	26	1037470	(30000000- 40000000 ) Nut, Hex, M14 X 2.00, Ss	1
	27	1037400	(30000000- 40000000 ) Spring, Cmpr, .42od, .04wir, 1.0l, Pl,Mw	1
	28	603012	(30000000- 40000000 ) Knob, Rnd, 19.0d M6 X 12, Stud, Plstc,Pl	1
	29	1010560	(30000000- 40000000 ) Wheel, Bmpr, 80d X 25w, Non- Marking	1
	30	222460	(30000000- 40000000 ) Sleeve, P/M, 0.31b 0.50d 0.5l	1
	31	140027	(30000000- 40000000 ) Washer, Flat, 0.35b 0.75d .04, Ss	1
	32	08713	(30000000- 40000000 ) Nut, Hex, Lock, M8 X 1.25, NI, Ss	1

▽ ASSEMBLY

▲ INCLUDED IN ASSEMBLY

SCRUB HEAD GROUP, DUAL DISK, 60 cm MODEL



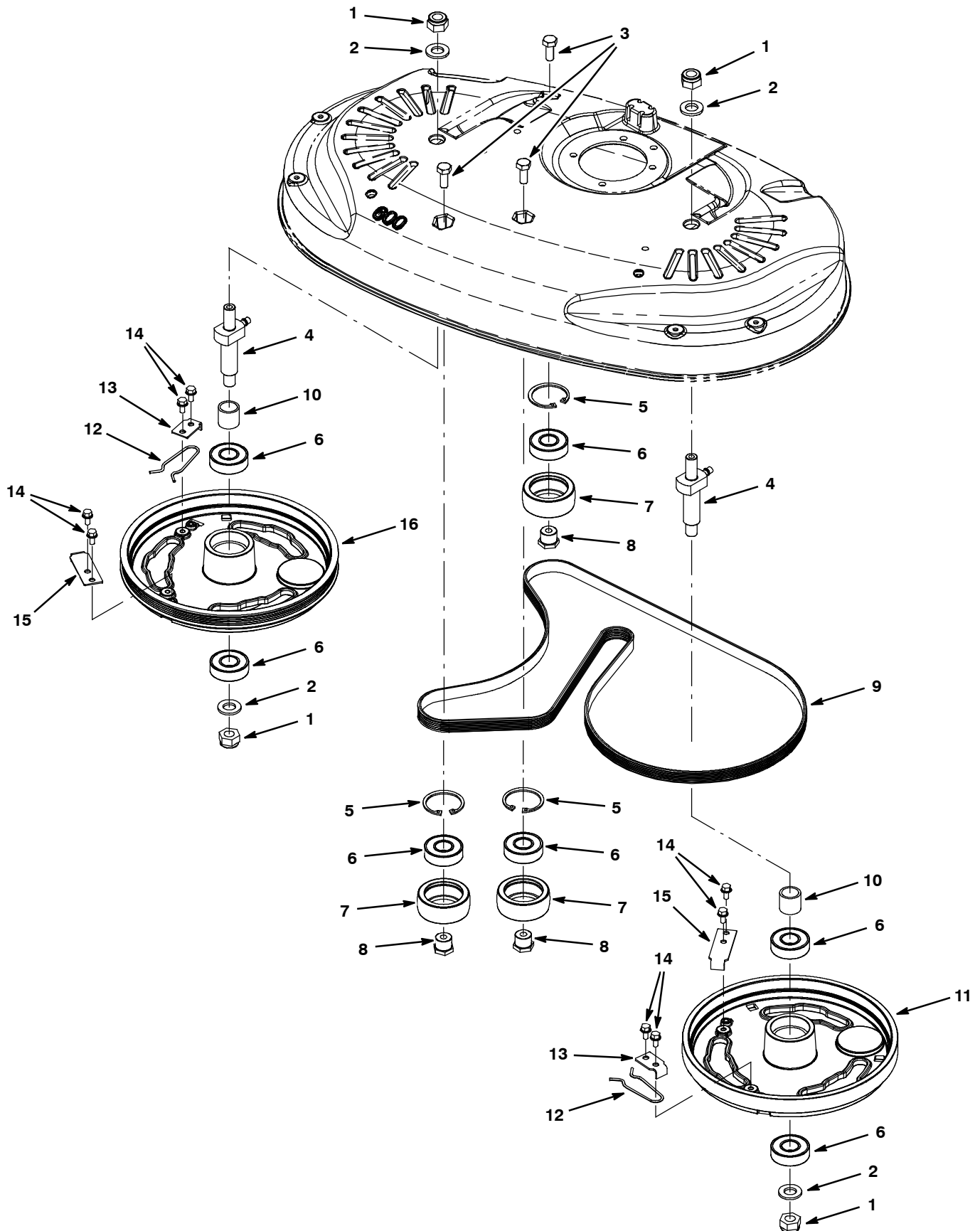
## SCRUB HEAD GROUP, DUAL DISK, 60 cm MODEL

Ref.	Part No.	Serial Number	Description	Qty.
▽	1	1064902	(30000000- 40000000 ) Motor, 24vdc, 2000rpm, 7/8hp [Us]	1
▲		1059370	(30000000- 40000000 ) Brush, Motor, Replmt [Bag Of 4]	1
	2	1013995	(30000000- 40000000 ) Screw, Set, M5 X 0.80 X 8, Ss [Cuppt]	2
	3	1059058	(30000000- 40000000 ) Sheave, 06grv, 1.25pd 0.55b, Ss [D Shaft]	1
	4	09011	(30000000- 40000000 ) Screw, Hex, M8 X 1.25 X 30, Ss	1
	5	140027	(30000000- 40000000 ) Washer, Flat, 0.35b 0.75d .04, Ss	1
	6	222460	(30000000- 40000000 ) Sleeve, P/M, 0.32b 0.50d 0.5l [430ss]	1
	7	1010560	(30000000- 40000000 ) Wheel, Bmpr, 80d X 25w, Non- Marking	1
	8	08713	(30000000- 40000000 ) Nut, Hex, Lock, M8 X 1.25, NI, Ss	3
	9	1055815	(30000000- 40000000 ) Bracket, Wall- Roller, Scb Head [T3]	1
	10	1062937	(30000000- 40000000 ) Tube, Soltn, 245.0mml [T3 Dual Disks]	2
	11	578769	(30000000- 40000000 ) Label, Parts, Moving [Textless]	1
	12	130773	(30000000- 40000000 ) Tie, Cable, Nyl, 11.0l, .14w, 3.0 Max. D	2
	13	160310	(30000000- 40000000 ) Fitting, Plstc, Tee, Bm06/Bm06/Bm06	1
	14	1059697	(30000000- 40000000 ) Housing, Casting, Head [T3 60cm] Mach	1
	15	1072656	(30000000- 40000000 ) Bumper, Head, 60cm, Bristle Skirt (Includes Mounting Hardware & Retaining Strap)	1
	16	1058573	(30000000- 40000000 ) Bracket, Gaurd, Splash [T3 60cm]	1
	17	1034731	(30000000- 40000000 ) Screw, Hex, M6 X 1.00 X 16, Ss, Sems	10
	18	1058380	(30000000- 40000000 ) Bracket, Guide, Belt [T3 60cm]	1
	19	79246	(30000000- 40000000 ) Screw, Flt, Soc, M8 X 1.25 X 20, 18- 8,Ss	2

▽ ASSEMBLY

▲ INCLUDED IN ASSEMBLY

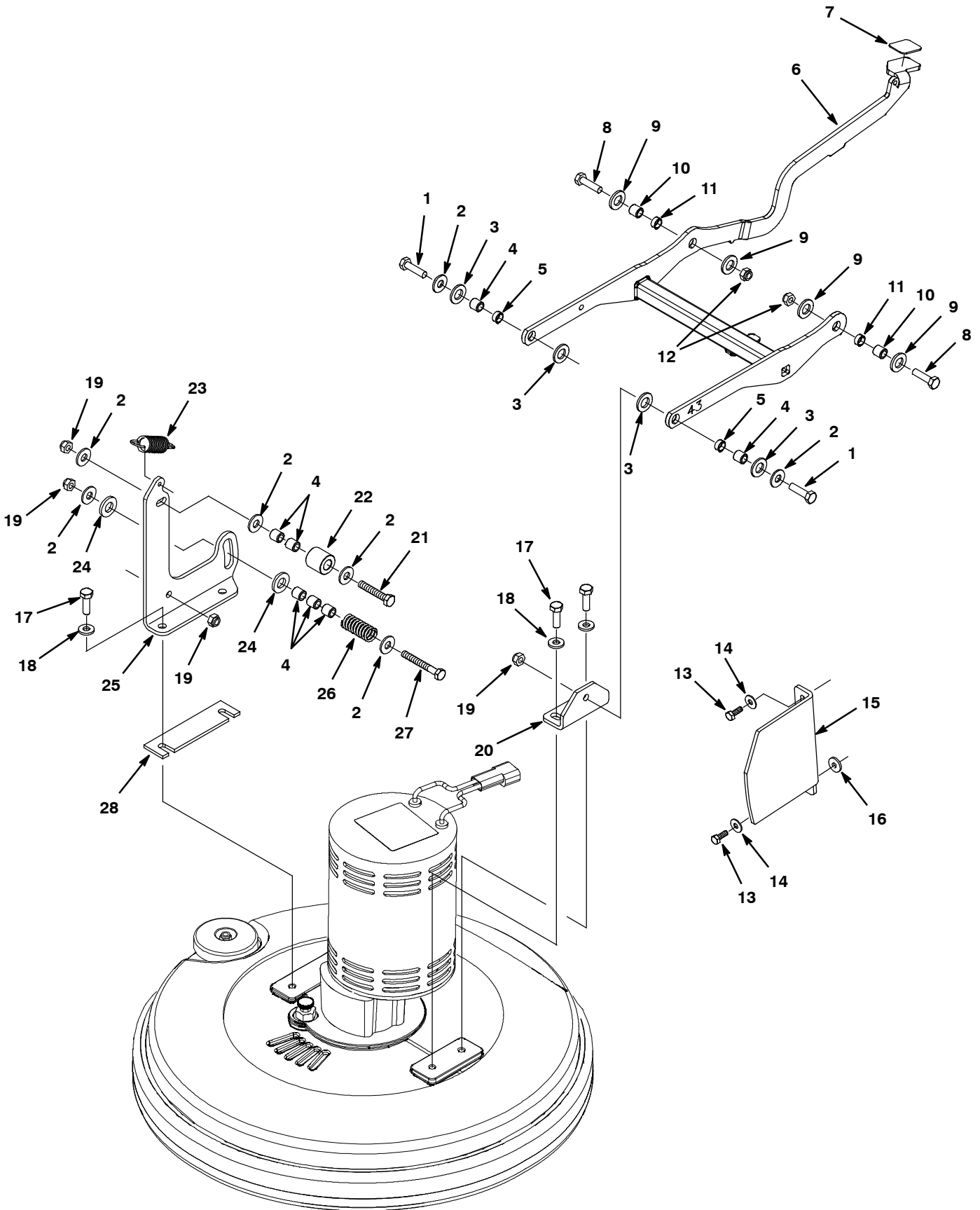
SCRUB HEAD GROUP, DUAL DISK, 60 cm (24 in) MODEL - CONT'D



## SCRUB HEAD GROUP, DUAL DISK, 60 cm (24 in) MODEL - CONT'D

Ref.	Part No.	Serial Number	Description	Qty.
1	09741	(30000000- 40000000 )	Nut, Hex, Lock, M12 X 1.75, NI, Ss	4
2	33925	(30000000- 40000000 )	Washer, Flat, M12, Ss	4
3	12273	(30000000- 40000000 )	Screw, Hex, M8 X 1.25 X 20, NI, Ss	3
4	1058800	(30000000- 40000000 )	Shaft Wldt, Mtg, Pulley	2
5	1013884	(30000000- 40000000 )	Ring, Retaining, Int, 40mm, Ss	3
6	1211187	(30000000- 40000000 )	Bearing, Ball, 0.67b 1.57d 0.47w [6203]	7
7	1058514	(30000000- 40000000 )	Pulley, Idler, 55d X 21w[60cm Dual Disk]	3
8	1011008	(30000000- 40000000 )	Spacer, Brg, Idler	3
9	1055305	(30000000- 40000000 )	Belt, Drive, 6pj, Ej139 [T3]	1
10	1011041	(30000000- 40000000 )	Tube, 0.69id 0.87od 00.8l, Stl, PI	2
11	1059205	(30000000- 40000000 )	Hub, Drive, 3lug, Alm, 2disk, Flt	1
12	1013188	(30000000- 40000000 )	Clip, Spring, Drive Plate [T3], Clr Zn	2
13	1013592	(30000000- 40000000 )	Stop, Driver, Release	2
14	223198	(30000000- 40000000 )	Screw, Hex, M5 X 0.80 X 10, Fmg	8
15	1011201	(30000000- 40000000 )	Plate, Clamp, Brush	2
16	1059206	(30000000- 40000000 )	Hub, Drive, 3lug, Alm, 2disk, 6grv	1

SCRUB HEAD LIFT GROUP, 43 cm (17 in) MODEL



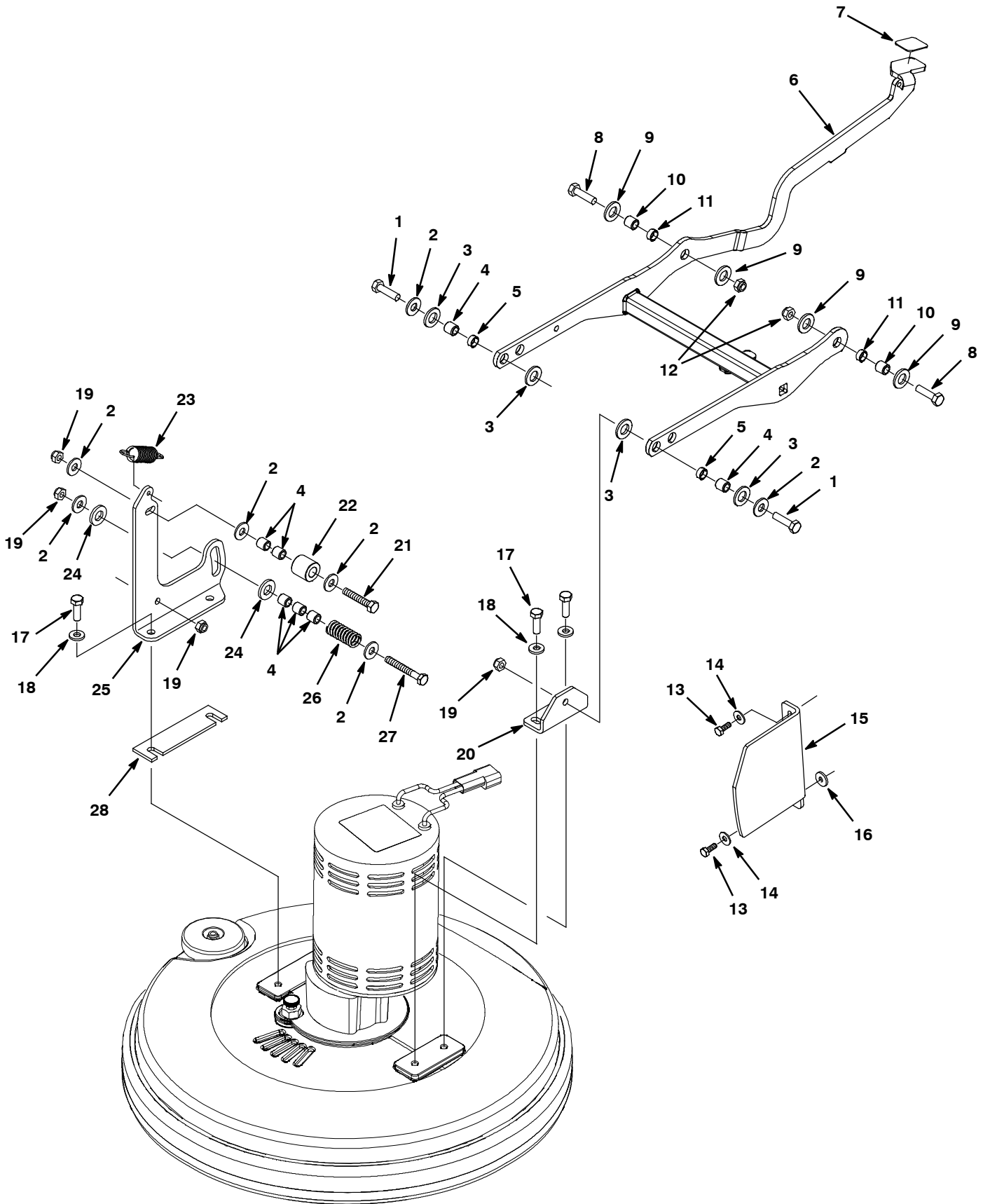
## SCRUB HEAD LIFT GROUP, 43 cm (17 in) MODEL

Ref.	Part No.	Serial Number	Description	Qty.
1	09011	(30000000- 40000000 )	Screw, Hex, M8 X 1.25 X 30, Ss	2
2	01685	(30000000- 40000000 )	Washer, Flat, 0.38b 0.88d .08, Ss	7
3	1013936	(30000000- 40000000 )	Washer, Flat, 0.51b 0.94d .10, Nyl	4
4	222460	(30000000- 40000000 )	Sleeve, P/M, 0.31b 0.50d 0.5l	7
5	630188	(30000000- 40000000 )	Bearing, Journal, .50id X .25l	2
▽	6	1061708	(30000000- 40000000 ) Kit, Lift Assy, Head, Sgl Disk,43cm [T3]	1
▲	7	1014283	(30000000- 40000000 ) Pad, Adh, Non-Slip, 28mm X 36mm, Blk	1
▲	8	09011	(30000000- 40000000 ) Screw, Hex, M8 X 1.25 X 30, Ss	2
▲	9	1013936	(30000000- 40000000 ) Washer, Flat, 0.51b 0.94d .10, Nyl	4
▲	10	222460	(30000000- 40000000 ) Sleeve, P/M, 0.31b 0.50d 0.5l	2
▲	11	630188	(30000000- 40000000 ) Bearing, Journal, .50id X .25l	2
▲	12	08713	(30000000- 40000000 ) Nut, Hex, Lock, M8 X 1.25, NI, Ss	2
	13	11329	(30000000- 40000000 ) Screw, Hex, M6 X 1.0 X 16, Ss, NI	2
	14	01684	(30000000- 40000000 ) Washer, Flat, 0.25 Ss	1
	15	1015460	(30000000- 40000000 ) Bracket, Guide, Head, [43cm]	1
	16	1028796	(30000000- 40000000 ) Washer, Flat, 0.33b 1.00d .18, Stl, PI	1
	17	12333	(30000000- 40000000 ) Screw, Hex, M8 X 1.25 X 25, Ss, NI	4
	18	69461	(30000000- 40000000 ) Washer, Flat, 0.38b 0.88d .12, Stl, PI	4
	19	08713	(30000000- 40000000 ) Nut, Hex, Lock, M8 X 1.25, NI, Ss	4
	20	1015470	(30000000- 40000000 ) Bracket, Mtg, Head	1
	21	222505	(30000000- 40000000 ) Screw, Hex, M8 X 1.25 X 45, Ss	1
	22	1014020	(30000000- 40000000 ) Roller, Lift, Dual Disk Head	1
	23	1032420	(30000000- 40000000 ) Spring, Extn, 0.85od 0.09wir 02.9l (43cm Model)	1
	24	140127	(30000000- 40000000 ) Bearing, Thrust,0.51b X 1.0 X .12, Brz	2
	25	1012323	(30000000- 40000000 ) Bracket, Mtg, Head, Rh	1
	26	140430	(30000000- 40000000 ) Spring, Cmpr, .72od X 1.69 L	1
	27	1014163	(30000000- 40000000 ) Screw, Hex, M8 X 1.25 X 60, FI, Ss	1
	28	1032791	(30000000- 40000000 ) Spacer, Head, 4mm (Brush Assist Model)	1
	N/S	130773	(30000000- 40000000 ) Tie, Cable, Nyl, 11.0l, .14w, 3.0 Max. D	1

▽ ASSEMBLY

▲ INCLUDED IN ASSEMBLY

SCRUB HEAD LIFT GROUP, 50 cm (20 in) MODEL





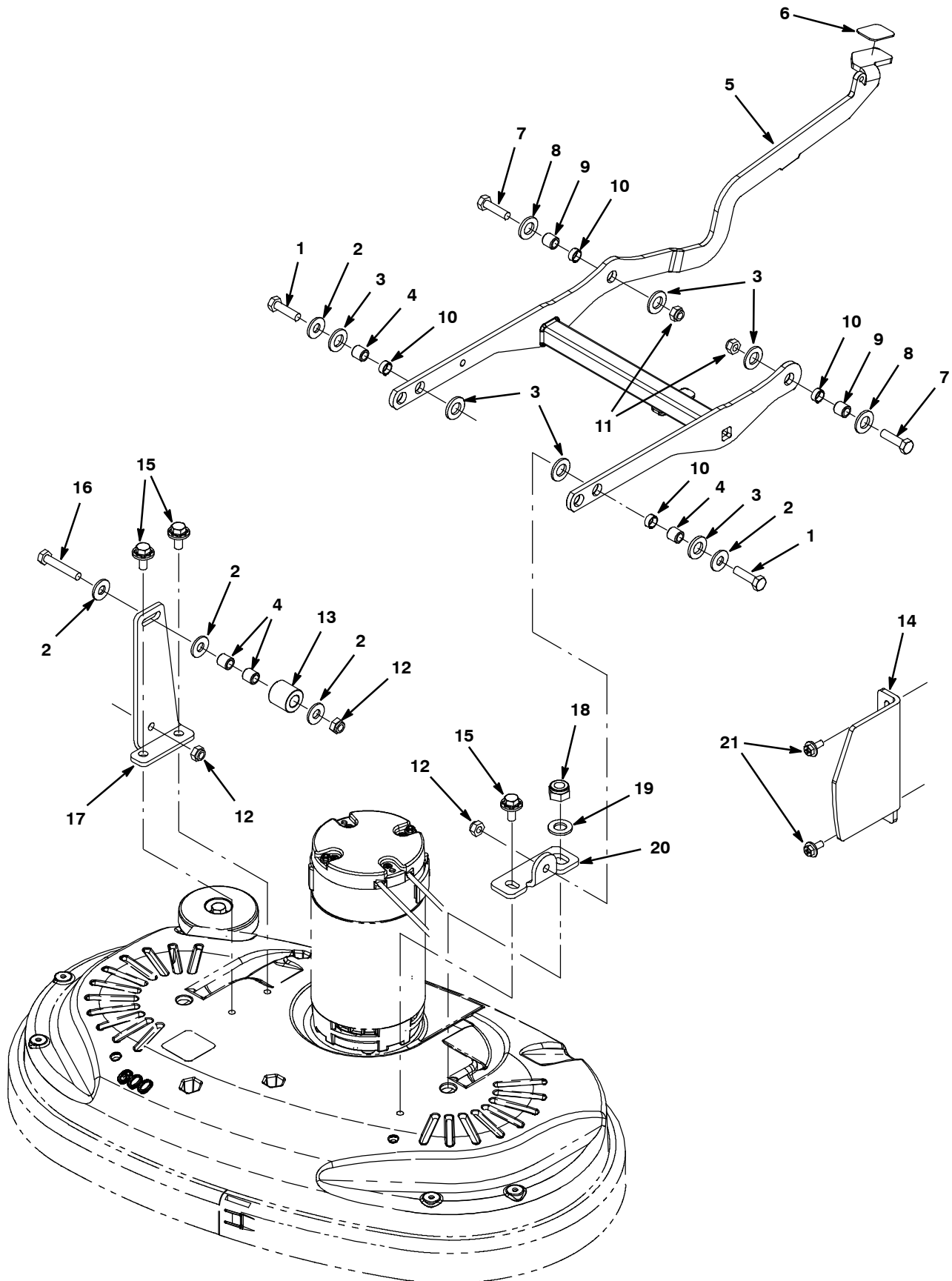
## SCRUB HEAD LIFT GROUP, 50 cm (20 in) MODEL

Ref.	Part No.	Serial Number	Description	Qty.
1	09011	(30000000- 40000000 )	Screw, Hex, M8 X 1.25 X 30, Ss	2
2	01685	(30000000- 40000000 )	Washer, Flat, 0.38b 0.88d .08, Ss	7
3	1013936	(30000000- 40000000 )	Washer, Flat, 0.51b 0.94d .10, Nyl	4
4	222460	(30000000- 40000000 )	Sleeve, P/M, 0.31b 0.50d 0.5l	7
5	630188	(30000000- 40000000 )	Bearing, Journal, .50id X .25l	2
▽	6	1061720	(30000000- 40000000 ) Kit, Lift Assy, Head, Disk,50/60[T3 N/A]	1
▲	7	1014283	(30000000- 40000000 ) Pad, Adh, Non- Slip, 28mm X 36mm, Blk	1
▲	8	09011	(30000000- 40000000 ) Screw, Hex, M8 X 1.25 X 30, Ss	2
▲	9	1013936	(30000000- 40000000 ) Washer, Flat, 0.51b 0.94d .10, Nyl	4
▲	10	222460	(30000000- 40000000 ) Sleeve, P/M, 0.31b 0.50d 0.5l	2
▲	11	630188	(30000000- 40000000 ) Bearing, Journal, .50id X .25l	2
▲	12	08713	(30000000- 40000000 ) Nut, Hex, Lock, M8 X 1.25, NI, Ss	2
	13	11329	(30000000- 40000000 ) Screw, Hex, M6 X 1.0 X 16, Ss, NI	2
	14	01684	(30000000- 40000000 ) Washer, Flat, 0.25 Ss	1
	15	1012484	(30000000- 40000000 ) Bracket, Guide, Head, [50cm]	1
	16	1028796	(30000000- 40000000 ) Washer, Flat, 0.33b 1.00d .18, Stl, PI	1
	17	12333	(30000000- 40000000 ) Screw, Hex, M8 X 1.25 X 25, Ss, NI	4
	18	69461	(30000000- 40000000 ) Washer, Flat, 0.38b 0.88d .12, Stl, PI	4
	19	08713	(30000000- 40000000 ) Nut, Hex, Lock, M8 X 1.25, NI, Ss	4
	20	1015470	(30000000- 40000000 ) Bracket, Mtg, Head	1
	21	222505	(30000000- 40000000 ) Screw, Hex, M8 X 1.25 X 45, Ss	1
	22	1014020	(30000000- 40000000 ) Roller, Lift, Dual Disk Head	1
	23	1031776	(30000000- 40000000 ) Spring, Extn, 0.75od 0.09wir 03.2l (50cm Model)	1
	24	140127	(30000000- 40000000 ) Bearing, Thrust,0.51b X 1.0 X .12, Brz	2
	25	1012323	(30000000- 40000000 ) Bracket, Mtg, Head, Rh	1
	26	140430	(30000000- 40000000 ) Spring, Cmpr, .72od X 1.69 L	1
	27	1014163	(30000000- 40000000 ) Screw, Hex, M8 X 1.25 X 60, Fl, Ss	1
	28	1032791	(30000000- 40000000 ) Spacer, Head, 4mm (Brush Assist Model)	1
	N/S	130773	(30000000- 40000000 ) Tie, Cable, Nyl, 11.0l, .14w, 3.0 Max. D	1

▽ ASSEMBLY

▲ INCLUDED IN ASSEMBLY

SCRUB HEAD LIFT GROUP, DUAL DISK 60 cm (24 in) MODEL



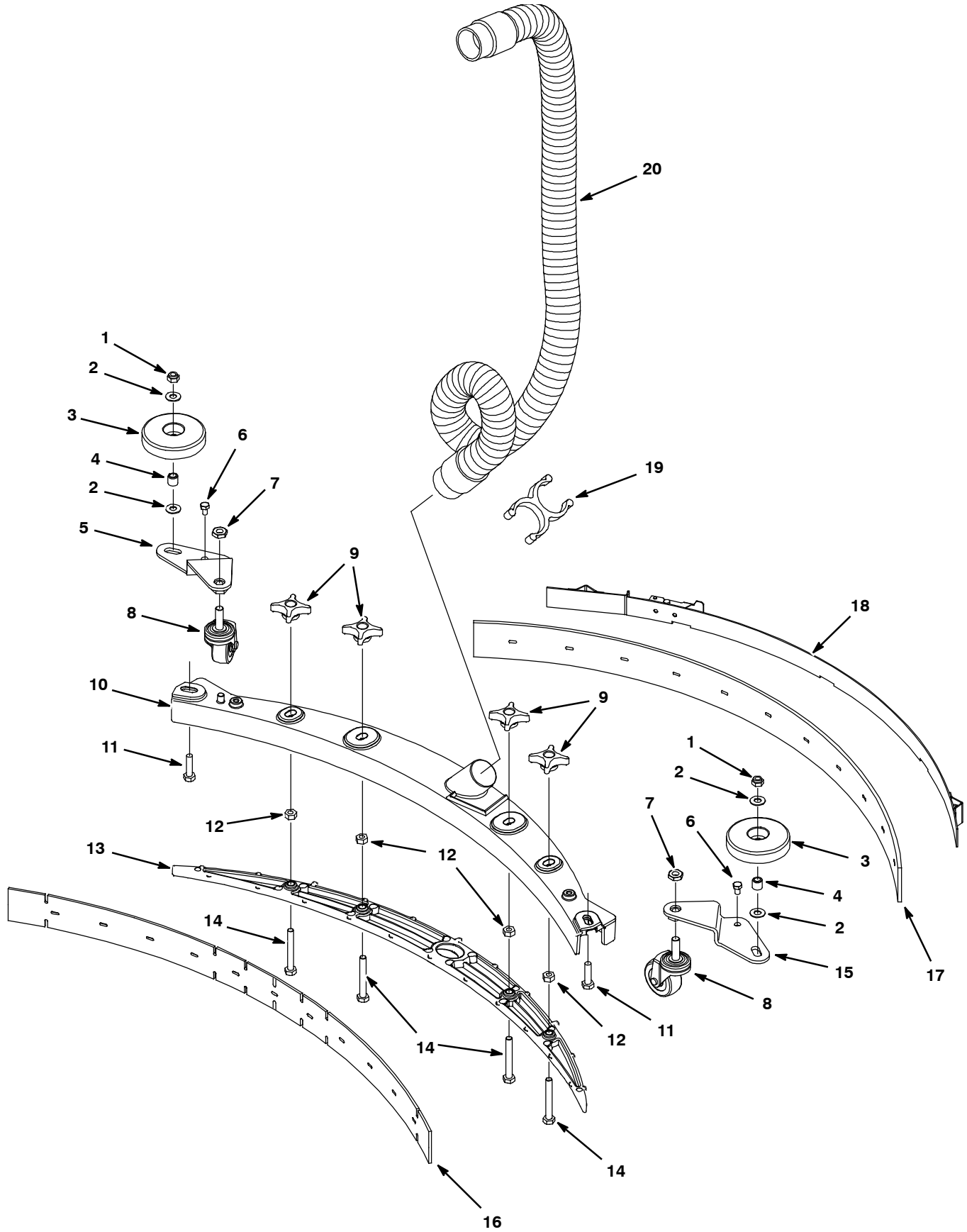
## SCRUB HEAD LIFT GROUP, DUAL DISK 60 cm (24 in) MODEL

Ref.	Part No.	Serial Number	Description	Qty.
1	09011	(30000000- 40000000 )	Screw, Hex, M8 X 1.25 X 30, Ss	2
2	01685	(30000000- 40000000 )	Washer, Flat, 0.38b 0.88d .08, Ss	5
3	1013936	(30000000- 40000000 )	Washer, Flat, 0.51b 0.94d .10, Nyl	4
4	222460	(30000000- 40000000 )	Sleeve, P/M, 0.31b 0.50d 0.5l	4
▽	5	1061720	(30000000- 40000000 ) Kit, Lift Assy, Head, Disk,50/60[T3 N/A]	1
▲	6	1014283	(30000000- 40000000 ) Pad, Adh, 28mm X 36mm, Blk [Non- Slip]	1
▲	7	09011	(30000000- 40000000 ) Screw, Hex, M8 X 1.25 X 30, Ss	2
▲	8	1013936	(30000000- 40000000 ) Washer, Flat, 0.51b 0.94d .10, Nyl	4
▲	9	222460	(30000000- 40000000 ) Sleeve, P/M, 0.31b 0.50d 0.5l [430ss]	2
▲	10	630188	(30000000- 40000000 ) Bearing, Journal, .50id X .25l	4
▲	11	08713	(30000000- 40000000 ) Nut, Hex, Lock, M8 X 1.25, NI, Ss	2
	12	08713	(30000000- 40000000 ) Nut, Hex, Lock, M8 X 1.25, NI, Ss	3
	13	1014020	(30000000- 40000000 ) Roller, Lift, Dual Disk Head	1
	14	1055999	(30000000- 40000000 ) Bracket, Guide, Head, 60cm Dd [T3]	1
	15	1020341	(30000000- 40000000 ) Screw, Hex, M8 X 1.25 X 20, Ss, Sems Sq	3
	16	222505	(30000000- 40000000 ) Screw, Hex, M8 X 1.25 X 45, Ss	1
	17	1011432	(30000000- 40000000 ) Bracket, Mtg, Head, Rh	1
	18	09741	(30000000- 40000000 ) Nut, Hex, Lock, M12 X 1.75, NI, Ss	1
	19	33925	(30000000- 40000000 ) Washer, Flat, M12, Ss	1
	20	1054760	(30000000- 40000000 ) Bracket, Mtg, Head [T3 60cm Dd]	1
	21	1034731	(30000000- 40000000 ) Screw, Hex, M6 X 1.00 X 16, Ss, Sems	2

▽ ASSEMBLY

▲ INCLUDED IN ASSEMBLY

SQUEEGEE GROUP, 500 mm



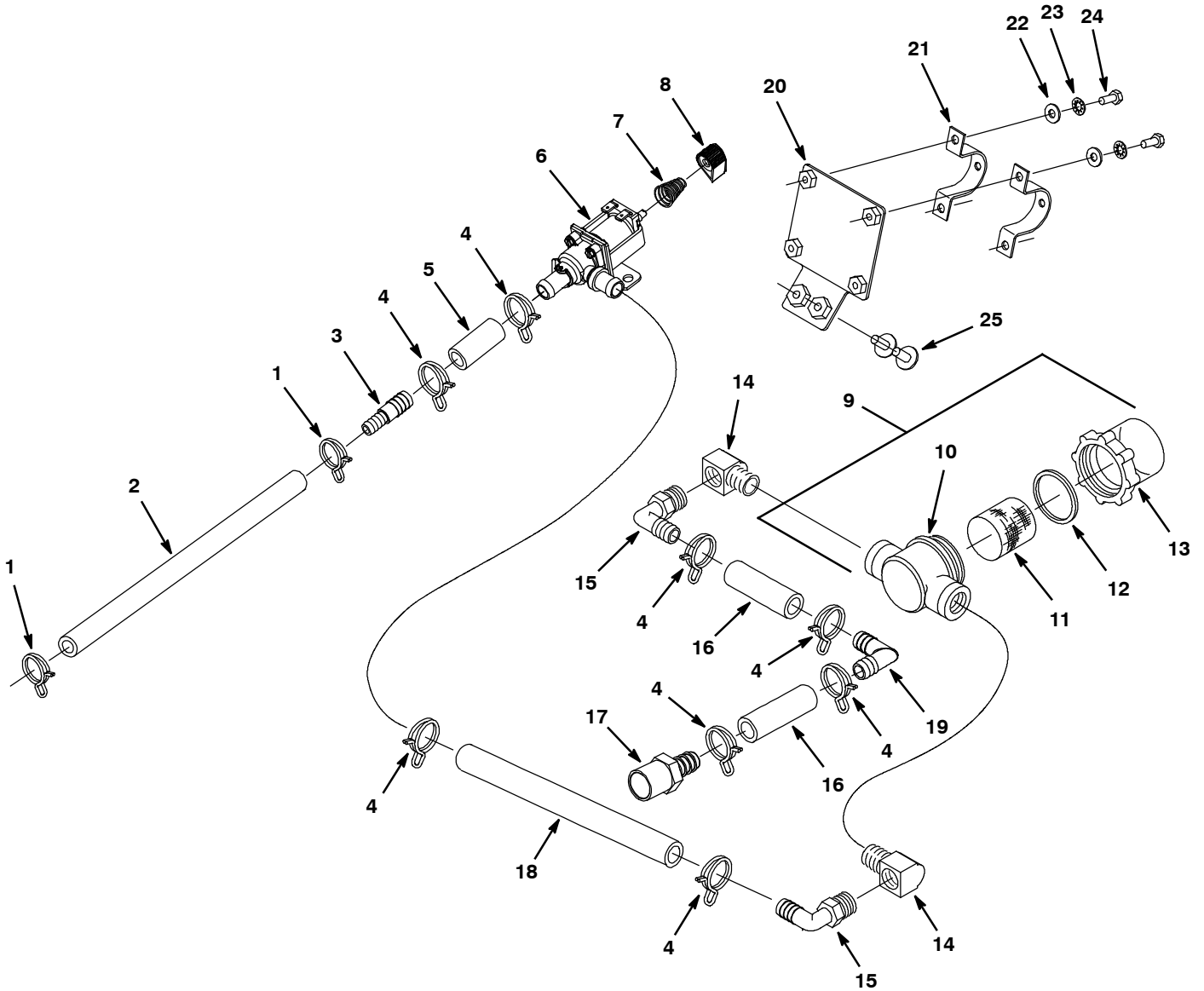
SQUEEGEE GROUP, 500 mm

Ref.	Part No.	Serial Number	Description	Qty.
▽	9001178	(30000000- 40000000 )	Squeegee Assy Kit, 500mm, Ci	1
▲	1 08713	(30000000- 40000000 )	Nut, Hex, Lock, M8 X 1.25, NI, Ss	2
▲	2 140027	(30000000- 40000000 )	Washer, Flat, 0.35b 0.75d .04, Ss	4
▲	3 1010560	(30000000- 40000000 )	Wheel, Bmpr, 80d X 25w, Non- Marking	2
▲	4 222460	(30000000- 40000000 )	Sleeve, P/M, 0.31b 0.50d 0.5l	2
▲	5 1011228	(30000000- 40000000 )	Plate, Mtg, Caster, Sqge, Rh	1
▲	6 74455	(30000000- 40000000 )	Screw, Hex, M6 X 1.0 X 12, Fmg	2
▲	7 32716	(30000000- 40000000 )	Nut, Hex, Jam, M10 X 1.5, Ss	2
▲	8 1006343	(30000000- 40000000 )	Caster, Swivel, 50mmd, M10 X 30 Stem, PI	2
▲	9 1010558	(30000000- 40000000 )	Knob, Star, 2.00d 4ear .73l M8x1.25 Thru	4
▲	10 1011163	(30000000- 40000000 )	Frame, Sqge, 74cm [50cm] Die Cast	1
▲	11 09011	(30000000- 40000000 )	Screw, Hex, M8 X 1.25 X 30, Ss	2
▲	12 07786	(30000000- 40000000 )	Nut, Hex, Std, M8 X 1.25, Ss	4
▲	13 1019919	(30000000- 40000000 )	Retainer, Sqge, 76cm [50cm] Nyl, Blk	1
▲	14 1014163	(30000000- 40000000 )	Screw, Hex, M8 X 1.25 X 60, Fl, Ss	4
▲	15 1011956	(30000000- 40000000 )	Plate, Mtg, Caster, Sqge, Lh	1
▲	16 1011232	(30000000- 40000000 )	Blade, Sqge, Front, 500mml Linatex (Standard)	1
	16 1014091	(30000000- 40000000 )	Blade, Sqge, Front, 500mml, Gum (Optional)	1
	16 1014092	(30000000- 40000000 )	Blade, Sqge, Front, 500mml, Oil- Rstn (Optional)	1
▲	17 1011456	(30000000- 40000000 )	Blade, Sqge, Rear, 32.7l, Linatex[500mm] (Standard)	1
	17 1014093	(30000000- 40000000 )	Blade, Sqge, Rear, 32.7l, Gum [500mm] (Optional)	1
	17 1014094	(30000000- 40000000 )	Blade, Sqge, Rear, 32.7l, Oil- Rstn[500mm] (Optional)	1
▲	18 1013933	(30000000- 40000000 )	Strap Assy, Sqge, 500mm	1
	19 1014079	(30000000- 40000000 )	Clip, Hose, Gripper, 1.50id, Dbl, Blk Pp	1
	20 1207882	(30000000- 40000000 )	Hose, Vacuum, 1.50id X 057.1l, 2cuff, Pu	1

▽ ASSEMBLY

▲ INCLUDED IN ASSEMBLY

SOLUTION GROUP, STANDARD MODEL



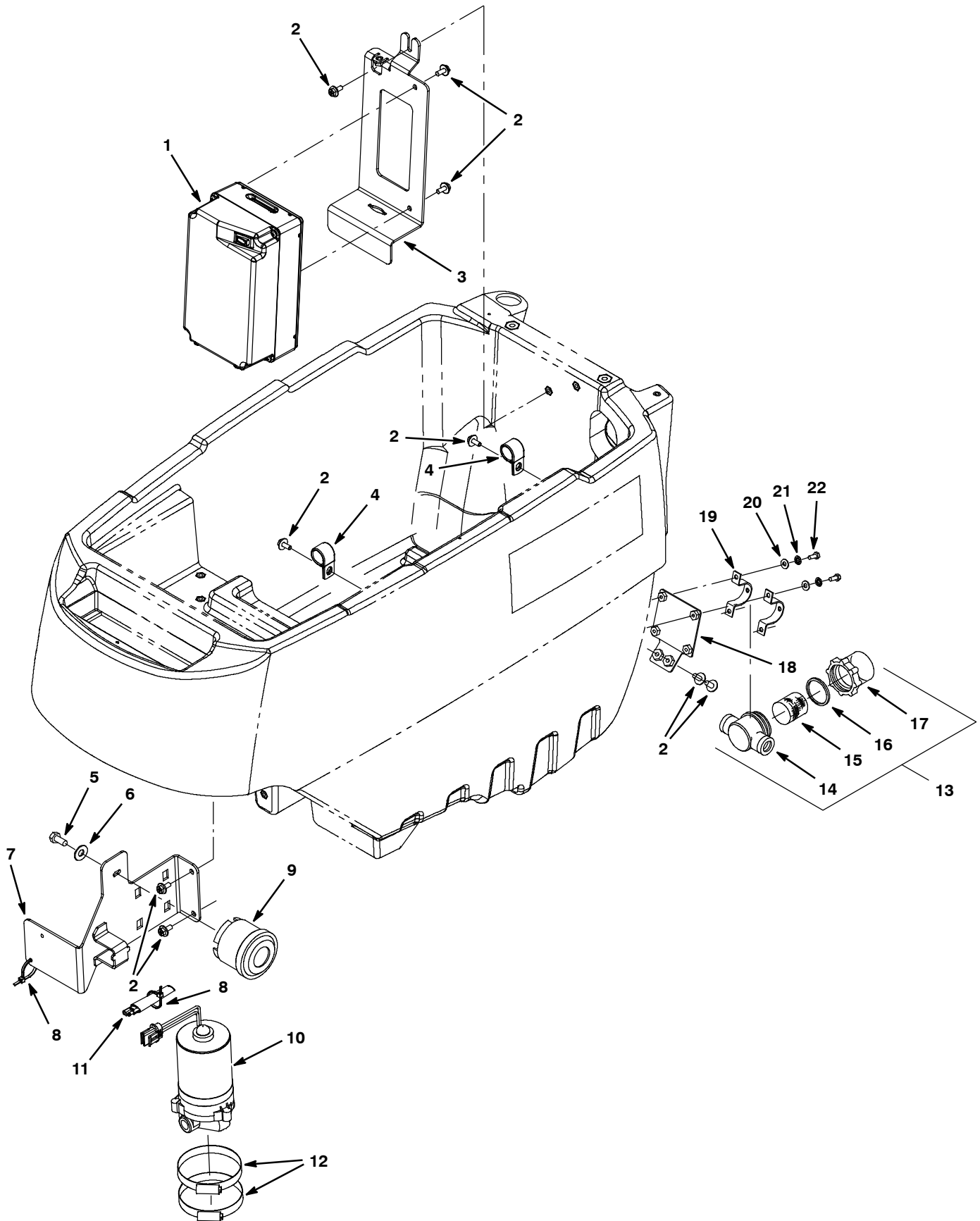
## SOLUTION GROUP, STANDARD MODEL

Ref.	Part No.	Serial Number	Description	Qty.	
1	607775	(30000000- 40000000 )	Clamp, Hose, Wir, .63 - .66, Blk	2	
2	606318	(30000000- 40000000 )	Hose, PVC, Brd, 0.38id 0.60od 036.5l, Clr	1	
3	612774	(30000000- 40000000 )	Fitting, Plstc, Str, Bm06/Bm08	1	
4	607776	(30000000- 40000000 )	Clamp, Hose, Wir, .73 - .77, Silver	8	
5	606225	(30000000- 40000000 )	Hose 1/2id X 1.79"	1	
6	1213803	(30044532- 40000000 )	Valve, Water, Solenoid, 24vdc, Bm10/Bm10	1	
▽	6	1016595	(30000000- 30044531 )	Valve, 1/4- 20 [Liq Dispensing]	1
▲		614265	(30000000- 30044531 )	Valve Kit, Water [Viton Diaphragm] (Repair Kit)	1
	7	1017091	(30000000- 40000000 )	Spring, Cmpr, .48d, .036w, .75l	1
	8	1013442	(30000000- 40000000 )	Knob, Valve, Indicator, Blk	1
▽	9	1005302	(30000000- 40000000 )	Filter, In- Line, Pf06/Pf06, 80 Mesh	1
▲	10	613993	(30000000- 40000000 )	Housing, Top, F/1005302	1
▲	11	1005304	(30000000- 40000000 )	Screen, Fltr, 80 Mesh	1
▲	12	613992	(30000000- 40000000 )	Gasket [Viton, F/1005302]	1
▲	13	613991	(30000000- 40000000 )	Bowl, Clr, Short, F/1005302	1
	14	150420	(30000000- 40000000 )	Fitting, Brs, E90, Pf06/Pm06 [Taped]	2
	15	1017532	(30000000- 40000000 )	Fitting, Plstc, E90, Bm08/Pm06	2
	16	140957	(30000000- 40000000 )	Hose, Pvc, Clr, 0.50id 0.75od 002.5l	2
	17	1023581	(30000000- 40000000 )	Fitting, Plstc, Str, Bm08/Pm08, Nyl	1
	18	613517	(30000000- 40000000 )	Tube, 0.50id X 0.75od Vyl 0.46ft[611259]	1
	19	63987- 1	(30000000- 40000000 )	Fitting, Plstc, E90, Bm08/Bm08	1
	20	1029533	(30000000- 40000000 )	Bracket, Mtg, Fltr	1
	21	605056	(30000000- 40000000 )	Bracket, Mtg, Fltr	2
	22	01683	(30000000- 40000000 )	Washer, Flat, #10, Ss	4
	23	07514	(30000000- 40000000 )	Washer, Lock, Int, #10, Ss	4
	24	09738	(30000000- 40000000 )	Screw, Hex, M5 X 0.8 X 12, Ss	4
	25	1034731	(30000000- 40000000 )	Screw, Hex, M6 X 1.00 X 16, Ss, Sems	2

▽ ASSEMBLY

▲ INCLUDED IN ASSEMBLY

SOLUTION GROUP, ec-H2O MODEL





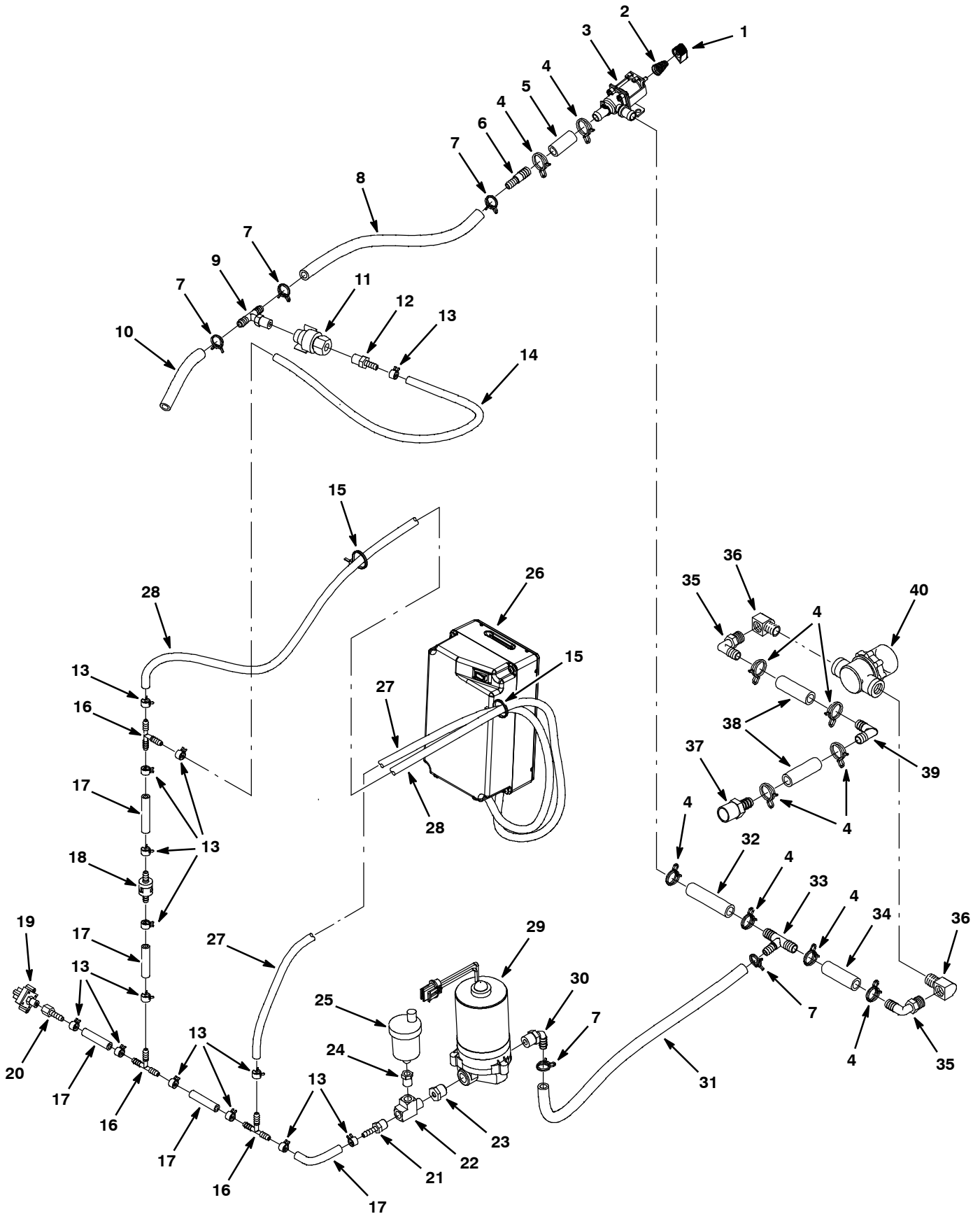
## SOLUTION GROUP, ec-H2O MODEL

Ref.	Part No.	Serial Number	Description	Qty.	
1	9007970	(30000000- 40000000 )	Module Kit, Replmt [Ec- H2o] (See Breakdown)	1	
2	1034731	(30000000- 40000000 )	Screw, Hex, M6 X 1.00 X 16, Ss, Sems	9	
3	1045961	(30000000- 40000000 )	Bracket, Mtg, Chrgr [Ss3/T3e Ec- H2o]	1	
4	140314	(30000000- 40000000 )	Clamp, Cable, Stl, 0.75d X 0.75w, 1hole	2	
5	11635	(30000000- 40000000 )	Screw, Hex, M6 X 1.00 X 12, Ni, Ss	1	
6	01684	(30000000- 40000000 )	Washer, Flat, 0.27b 0.69d .05, Ss	1	
7	1037242	(30000000- 40000000 )	Bracket Wldt, Mtg, Pump [Fast li+]	1	
8	130773	(30000000- 40000000 )	Tie, Cable, Nyl, 11.0l, .14w, 3.0 Max. D	2	
9	1018505	(30000000- 40000000 )	Horn, 12- 48vdc [88.5 Decibels]	1	
▽	10	1042495	(30000000- 40000000 )	Pump, Soltn, Ele, 24vdc, 35psi	1
▲		9004759	(30000000- 40000000 )	Pump Kit, Head, Soltn [Ec- H2o]	1
▲		78950	(30000000- 40000000 )	Connector, Fem, 2cav, Mp280 Sealed	1
▲		78951	(30000000- 40000000 )	Terminal, Fem, Mp280, Sealed, 18- 16ga	1
▲		10917	(30000000- 40000000 )	Seal, Wire, 14/16ga [Wp / Mp280 Sealed]	1
▲		78952	(30000000- 40000000 )	Lock, Secondary, 2cav, Mp280 Sealed	1
	11	1040868	(30000000- 40000000 )	Capacitor, Plug [.01 Uf, 200v]	1
	12	43555	(30000000- 40000000 )	Clamp, Hose, Wormdrive, 2.50- 3.50d, .50w	3
▽	13	1005302	(30000000- 40000000 )	Filter, In- Line, Pf06/Pf06 080mesh 02.6l	1
▲	14	613993	(30000000- 40000000 )	Housing, Top, F/1005302	1
▲	15	1005304	(30000000- 40000000 )	Screen, Fltr, 80 Mesh, Ss	1
▲	16	613992	(30000000- 40000000 )	Gasket [Viton, F/1005302]	1
▲	17	613991	(30000000- 40000000 )	Bowl, Clr, Short, F/1005302	1
	18	1029533	(30000000- 40000000 )	Bracket, Mtg, Fltr	1
	19	605056	(30000000- 40000000 )	Bracket, Mtg, Fltr	2
	20	01683	(30000000- 40000000 )	Washer, Flat, 10, Ss	4
	21	07514	(30000000- 40000000 )	Washer, Lock, Int, 10, Ss	4
	22	09738	(30000000- 40000000 )	Screw, Hex, M5 X 0.80 X 12, Ss	4

▽ ASSEMBLY

▲ INCLUDED IN ASSEMBLY

SOLUTION GROUP, ec-H2O MODEL - CONT'D



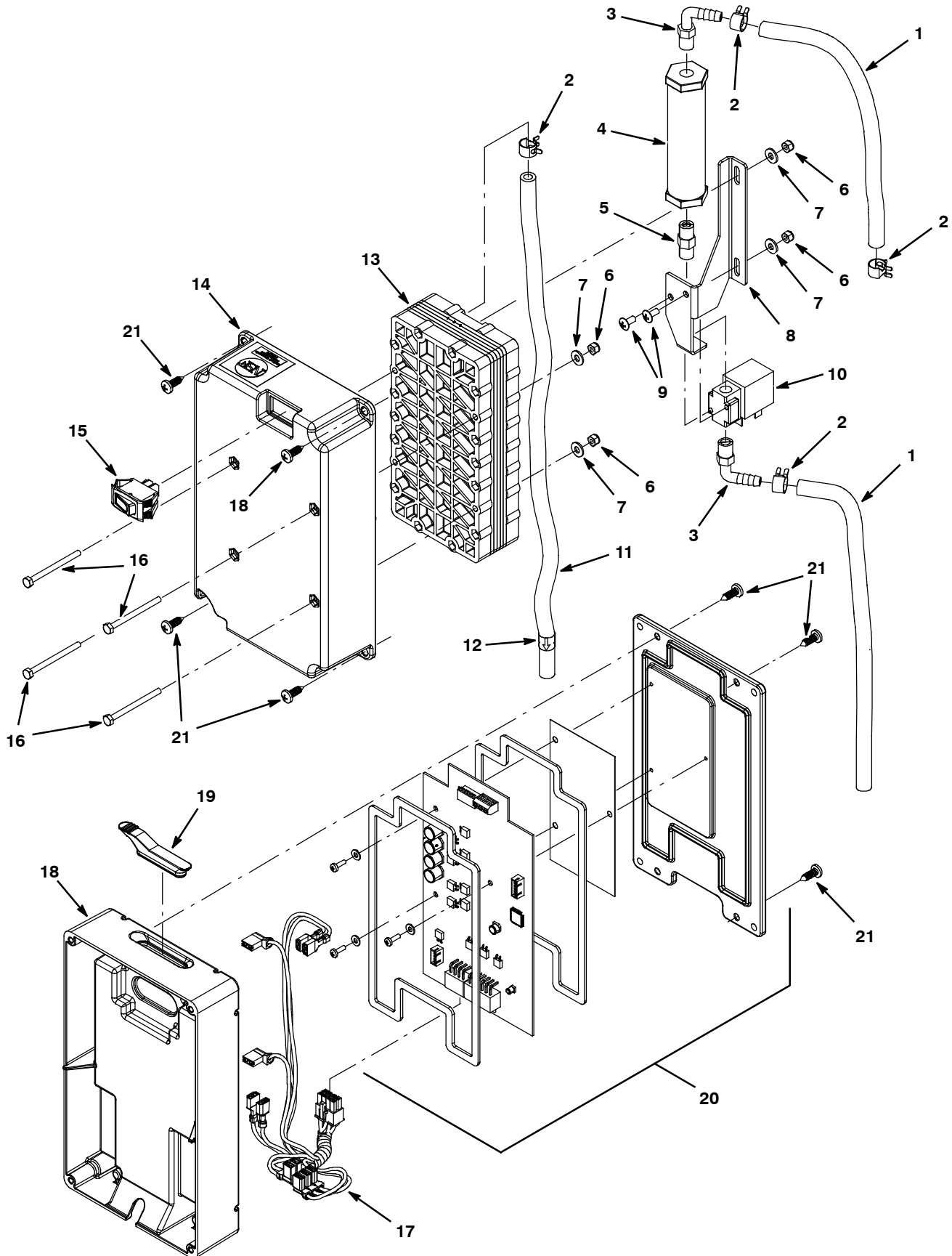
## SOLUTION GROUP, ec-H2O MODEL - CONT'D

Ref.	Part No.	Serial Number	Description	Qty.	
1	1013442	(30000000- 40000000 )	Knob, Valve, Indicator, Blk	1	
2	1017091	(30000000- 40000000 )	Spring, Cmpr, 0.50od .04wir 00.8l	1	
3	1213803	(30044532- 40000000 )	Valve, Water, Solenoid, 24vdc, Bm10/Bm10	1	
▽	3	1016595	(30000000- 30044531 )	Valve, 1/4- 20 [Liq Dispensing]	1
▲	614265	(30000000- 30044531 )	Valve Kit, Water [Viton Diaphragm] (Repair Kit)	1	
4	607776	(30000000- 40000000 )	Clamp, Hose, Wir, .73 - .77, Silver	10	
5	1015071	(30000000- 40000000 )	Hose, Afmkt, Pvc, Clr, 0.50id, 01ft	1	
6	612774	(30000000- 40000000 )	Fitting, Plstc, Str, Bm06/Bm08	1	
7	607775	(30000000- 40000000 )	Clamp, Hose, Wir, .63 - .66, Blk	5	
8	606318	(30000000- 40000000 )	Hose, PVC,Brd, 0.38id 0.60od 036.5l, Clr	1	
9	1017340	(30000000- 40000000 )	Fitting, Plstc, Tee, Bm06/Bm06/Pm04, Br	1	
10	606317	(30000000- 40000000 )	Hose, PVC,Brd, 0.38id 0.60od 019.5l, Clr	1	
11	1043866	(30000000- 40000000 )	Fitting Assy, Qd, Pf04	1	
12	50901	(30000000- 40000000 )	Fitting, Plstc, Str, Bm04/Pm04	1	
13	603654	(30000000- 40000000 )	Clamp, Hose, Ear, .44d [Ctb]	14	
14	578820000	(30000000- 40000000 )	Hose, Pvc, Brd, 0.25id 0.44od 157.2l,Clr	1	
15	130773	(30000000- 40000000 )	Tie, Cable, Nyl, 11.0l, .14w, 3.0 Max. D	2	
16	150713	(30000000- 40000000 )	Fitting, Plstc, Tee, Bm04/Bm04/Bm04	3	
17	578820000	(30000000- 40000000 )	Hose, Pvc, Brd, 0.25id 0.44od 157.2l,Clr	1	
18	1044334	(30000000- 40000000 )	Valve, Check, 0017psi Bm04/Bm04	1	
19	1044335	(30000000- 40000000 )	Switch, Press, 6psi, Pm02	1	
20	150520	(30000000- 40000000 )	Fitting, Brs, Str, Bm04/Pf02	1	
21	150515	(30000000- 40000000 )	Fitting, Brs, Str, Bm04/Pm04 [Taped]	1	
22	150709	(30000000- 40000000 )	Fitting, Brs, Tee, Pm04/Pf04/Pf04, Run	1	
23	1016383	(30000000- 40000000 )	Fitting, Brs, Str, Pf04/Pm06	1	
24	150100	(30000000- 40000000 )	Fitting, Brs, Str, Pf02/Pm04	1	
25	1017386	(30000000- 40000000 )	Valve, Vent, Air, Float Type	1	
▽	26	9007970	(30000000- 40000000 )	Module Kit, Replmt [Ec- H2o] (See Breakdown)	1
▲	27	578820000	(30000000- 40000000 )	Hose, Pvc, Brd, 0.25id 0.44od 157.2l,Clr	1
▲	28	9004606	(30000000- 40000000 )	Hose, Pvc, Brd, .25id .45od 64l, Clr	1
29	1042495	(30000000- 40000000 )	Pump, Soltn, Ele, 24vdc, 35psi	1	
30	1005630	(30000000- 40000000 )	Fitting, Plstc, E90, Bm06/Pm06, Nyl	1	
31	613521	(30000000- 40000000 )	Hose, Pvc, Clr, 0.50id 0.75od 012.0l	1	
32	613514	(30000000- 40000000 )	Hose, Pvc, Clr, 0.50id 0.75od 004.1l	1	
33	630372	(30000000- 40000000 )	Fitting, Plstc, Tee, Bm06/Bm08/Bm08, Br	1	
34	140957	(30000000- 40000000 )	Hose, Pvc, Clr, 0.50id 0.75od 002.5l	1	
35	1017532	(30000000- 40000000 )	Fitting, Plstc, E90, Bm08/Pm06	2	
36	150420	(30000000- 40000000 )	Fitting, Brs, E90, Pf06/Pm06 [Taped]	2	
37	1023581	(30000000- 40000000 )	Fitting, Plstc, Str, Bm08/Pm08, Nyl	1	
38	140957	(30000000- 40000000 )	Hose, Pvc, Clr, 0.50id 0.75od 002.5l	2	
39	63987- 1	(30000000- 40000000 )	Fitting, Plstc, E90, Bm08/Bm08	1	
40	1005302	(30000000- 40000000 )	Filter, In- Line, Pf06/Pf06 080mesh 02.6l	1	

▽ ASSEMBLY

▲ INCLUDED IN ASSEMBLY

ec-H2O MODULE ASSEMBLY BREAKDOWN, 9007970



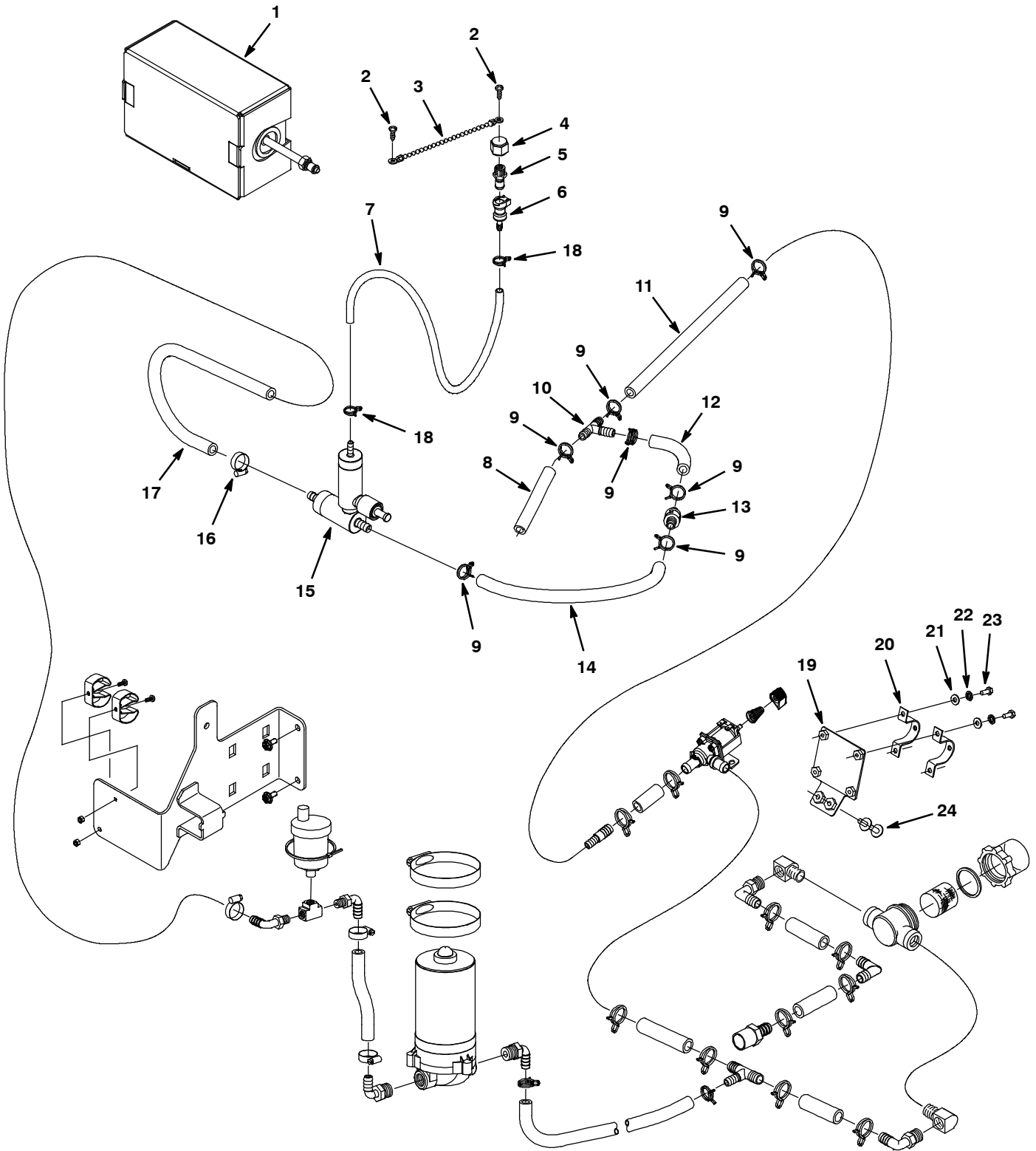
**ec-H2O MODULE ASSEMBLY BREAKDOWN, 9007970**

Ref.	Part No.	Serial Number	Description	Qty.
▽	9007970	(30000000- 40000000 )	Module Kit, Replmt [Ec- H2o]	1
▲▽	9006324	(30000000- 40000000 )	Ec- H2o Kit [Module B, Plumbing]	1
▲▲	1 578820000	(30000000- 40000000 )	Hose, Pvc, Brd, 0.25id 0.44od 157.2l,Clr	1
▲▲	2 603654	(30000000- 40000000 )	Clamp, Hose, Ear, .44d [Ctb]	4
▲▲	3 1037595	(30000000- 40000000 )	Fitting, Plstc, E90, Bm04/Pm02, Nyl	2
▲▲	4 1062006	(30000000- 40000000 )	Electrode, Cylindrical	1
▲▲	5 1045030	(30000000- 40000000 )	Fitting, Brs, Str, Pm02/Pm02	1
▲▲	6 33932	(30000000- 40000000 )	Nut, Hex, Lock, M4 X 0.70, NI, Ss	4
▲▲	7 41579	(30000000- 40000000 )	Washer, Flat, 08, Ss	4
▲▲	8 1048490	(30000000- 40000000 )	Bracket, Valve	1
▲▲	9 140801	(30000000- 40000000 )	Screw, Trs, Phl, 08- 32 X 0.38, Ss	2
▲▲	10 1013236	(30000000- 40000000 )	Valve, Shutoff, Ele, 24vdc	1
▲▲	11 9006574	(30000000- 40000000 )	Hose, Pvc, Brd, 0.25id 0.45od, 65l, Clr	1
▲▲	12 1049637	(30000000- 40000000 )	Label, Direction [Ec- H2o]	1
▲▲	13 1057637	(30000000- 40000000 )	Electrode, 5 Plate, High Flow	1
▲▲	14 1051519	(30000000- 40000000 )	Housing, Upper, Module, High Flow	1
▲▲	15 1044393	(30000000- 40000000 )	Switch, Rocker, Spst, Mom,	1
▲▲	16 32509	(30000000- 40000000 )	Screw, Hex, M4 X 0.70 X 50, Ss	4
▲▲	17 1049489	(30000000- 40000000 )	Harness, Main, Controller [Ec- H2o, P3]	1
▲	18 1037032	(30000000- 40000000 )	Housing, Bottom	1
▲	19 1054776	(30000000- 40000000 )	Grommet, Blind	1
▲	20 9007969	(30000000- 40000000 )	Controller Kit, Replmt [Ec- H2o]	1
▲	21 1018155	(30000000- 40000000 )	Screw, Pan, Phl, M5 X 0.80 X 16, Tcut,Ss	8

▽ ASSEMBLY

▲ INCLUDED IN ASSEMBLY

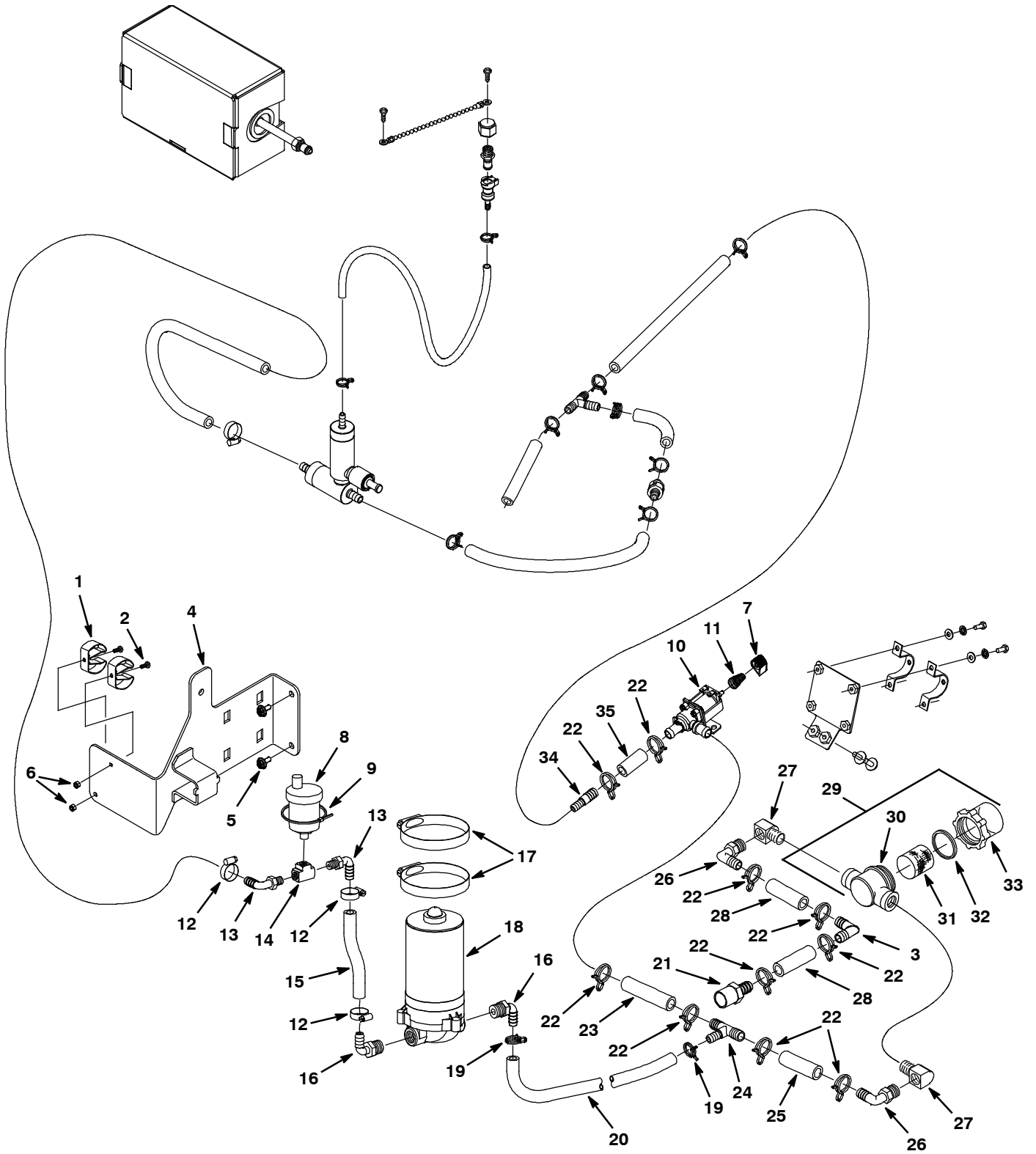
SOLUTION GROUP, FaST MODEL



## SOLUTION GROUP, FaST MODEL

Ref.	Part No.	Serial Number	Description	Qty.
1	1017019	(30000000- 40000000 )	Detergent Pkg, 2 Liter, Sgl [Mp]	1
1	1017025	(30000000- 40000000 )	Detergent Pkg, 2 Liter, Sgl [Mpd]	1
2	1018155	(30000000- 40000000 )	Screw, Pan, M5 X 0.8 X16, Ss, Tcut	2
3	621443	(30000000- 40000000 )	Chain, Ball, #10, 157mml, Ss	1
4	1005435	(30000000- 40000000 )	Fitting, Plstc, Cap, Pf04, Pipe	1
5	1006206	(30000000- 40000000 )	Fitting, Plstc, Str, Pm04, Cplg, Mal [Nob]	1
6	1006204	(30000000- 40000000 )	Coupling, Fem, W/ Valve, .25 Brb [Nobles]	1
7	613947	(30000000- 40000000 )	Hose, Clr, 0.25id 26.0l	1
8	606317	(30000000- 40000000 )	Hose, PVC,Brd, 0.38id 0.60od 019.5l, Clr	1
9	607775	(30000000- 40000000 )	Clamp, Hose, Wir, .63 - .66, Blk	7
10	160310	(30000000- 40000000 )	Fitting, Plstc, Tee, Bm06/Bm06/Bm06	1
11	606318	(30000000- 40000000 )	Hose, PVC,Brd, 0.38id 0.60od 036.5l, Clr	1
11	613451	(30000000- 40000000 )	Hose 3/8idx5/8od Clear 611254 Ft 1.000	1
12	606362	(30000000- 40000000 )	Hose 3/8idx5/8odx6.5 (611254)	1
13	1015455	(30000000- 40000000 )	Valve, Check, 0005psi Bm06/Bm06	1
14	613442	(30000000- 40000000 )	Hose 3/8idx5/8od Clear 611254 Ft 1.292	1
15	9008865	(30000000- 40000000 )	Fast Kit, Injector, Ci [T3/Ss3 Fast lii] (43 & 50 CM Models - See Breakdown)	1
15	9008847	(30000000- 40000000 )	Fast Kit, Injector[T5 60/65cm, Fast lii] (60CM Model - See Breakdown)	1
16	54333	(30000000- 40000000 )	Clamp, Hose, Wormdrive, 0.31- 0.88d, .31w	1
17	613722	(30000000- 40000000 )	Hose .38 Id X 21" Pvc Braided	1
18	613735	(30000000- 40000000 )	Clamp, Hose, Wir, .40 - .42, Yel	2
19	1029533	(30000000- 40000000 )	Bracket, Mtg, Fltr	1
20	605056	(30000000- 40000000 )	Bracket, Mtg, Fltr	2
21	01683	(30000000- 40000000 )	Washer, Flat, #10, Ss	4
22	07514	(30000000- 40000000 )	Washer, Lock, Int, #10, Ss	4
23	09738	(30000000- 40000000 )	Screw, Hex, M5 X 0.8 X 12, Ss	4
24	1034731	(30000000- 40000000 )	Screw, Hex, M6 X 1.00 X 16, Ss, Sems	2

SOLUTION GROUP, FaST MODEL - CONT'D





## SOLUTION GROUP, FaST MODEL - CONT'D

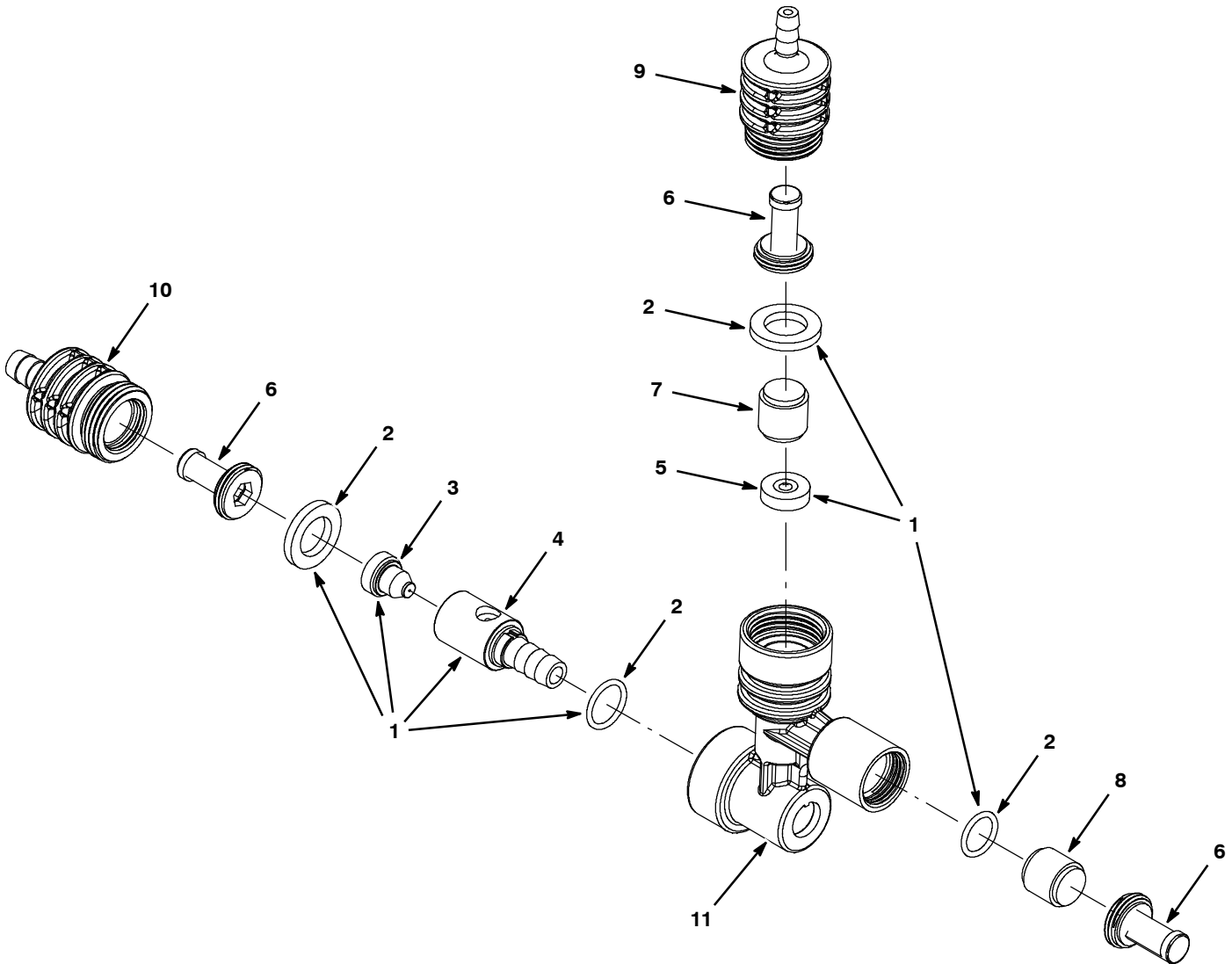
Ref.	Part No.	Serial Number	Description	Qty.	
1	573073	(30000000- 40000000 )	Clip, Grip, Hose, 1.00- 1.38, Zn	2	
2	49697	(30000000- 40000000 )	Screw, Pan, M4 X 0.7 X 10, Ss	2	
3	63987- 1	(30000000- 40000000 )	Fitting, Plstc, E90, Bm08/Bm08	1	
4	1037242	(30000000- 40000000 )	Bracket Wldt, Mtg, Pump [Fast li+]	1	
5	1034731	(30000000- 40000000 )	Screw, Hex, M6 X 1.00 X 16, Sems, Ss	2	
6	33932	(30000000- 40000000 )	Nut, Hex, Lock, M4 X 0.7, NI, Ss	2	
7	1013442	(30000000- 40000000 )	Knob, Valve, Indicator, Blk	1	
8	1017386	(30000000- 40000000 )	Valve, Air Vent, Float Type	1	
9	44961	(30000000- 40000000 )	Tie, Cable, Nyl, 14.5l .30w 4.0 Max D	1	
10	1213803	(30044532- 40000000 )	Valve, Water, Solenoid, 24vdc, Bm10/Bm10	1	
▽	10	1016595	(30000000- 30044531 )	Valve, 1/4- 20 [Liq Dispensing]	1
▲		614265	(30000000- 30044531 )	Valve Kit, Water [Viton Diaphragm] (Repair Kit)	1
	11	1017091	(30000000- 40000000 )	Spring, Cmpr, .48d, .036w, .75l	1
	12	54333	(30000000- 40000000 )	Clamp, Hose, Wormdrive, 0.31- 0.88d, .31w	3
	13	1005564	(30000000- 40000000 )	Fitting, Plstc, E90, Bm06/Pm02, Nyl	2
	14	150705	(30000000- 40000000 )	Fitting, Brs, Tee, Pf02/Pf02/Pf02	1
	15	613724	(30000000- 40000000 )	Hose .38 Id X 10" Pvc Braided	1
	16	1005630	(30000000- 40000000 )	Fitting, Plstc, E90, Bm06/Pm06, Nyl	2
	17	43555	(30000000- 40000000 )	Clamp, Hose, Wormdrive, 2.50- 3.50d, .50w	2
	18	1014282	(30000000- 40000000 )	Pump, Soltn, Ele, 24vdc, 60psi, Packard	1
	19	607775	(30000000- 40000000 )	Clamp, Hose, Wir, .63 - .66, Blk	2
	20	613450	(30000000- 40000000 )	Hose 3/8idx5/8od Clear 611254 Ft 2.000	1
	21	1023581	(30000000- 40000000 )	Fitting, Plstc, Str, Bm08/Pm08, Nyl	1
	22	607776	(30000000- 40000000 )	Clamp, Hose, Wir, .73 - .77, Silver	10
	23	613514	(30000000- 40000000 )	Tube, 0.50id X 0.75od Vyl 0.34ft[611259]	1
	24	630372	(30000000- 40000000 )	Fitting, Plstc, Tee, Bm06/Bm08/Bm08, Br	1
	25	140957	(30000000- 40000000 )	Hose, Vyl, Clr, .50id .75od 2.5l(611259)	1
	26	1017532	(30000000- 40000000 )	Fitting, Plstc, E90, Bm08/Pm06	2
	27	150420	(30000000- 40000000 )	Fitting, Brs, E90, Pf06/Pm06 [Taped]	2
	28	140957	(30000000- 40000000 )	Hose, Pvc, Clr, 0.50id 0.75od 002.5l	2
▽	29	1005302	(30000000- 40000000 )	Filter, In- Line, Pf06/Pf06, 80 Mesh	1
▲	30	613993	(30000000- 40000000 )	Housing, Top, F/1005302	1
▲	31	1005304	(30000000- 40000000 )	Screen, Fltr, 80 Mesh	1
▲	32	613992	(30000000- 40000000 )	Gasket [Viton, F/1005302]	1
▲	33	613991	(30000000- 40000000 )	Bowl, Clr, Short, F/1005302	1
	34	612774	(30000000- 40000000 )	Fitting, Plstc, Str, Bm06/Bm08	1
	35	1015071	(30000000- 40000000 )	Hose, Afmkt, Pvc, Clr 0.50id 01ft	1
	N/S	130773	(30000000- 40000000 )	Tie, Cable, Nyl, 11.0l, .14w, 3.0 Max. D	2

▽ ASSEMBLY

▲ INCLUDED IN ASSEMBLY

# STANDARD PARTS

## 9008865 FAST INJECTOR ASSEMBLY BREAKDOWN, SINGLE DISK 43 CM & 50 CM MODELS

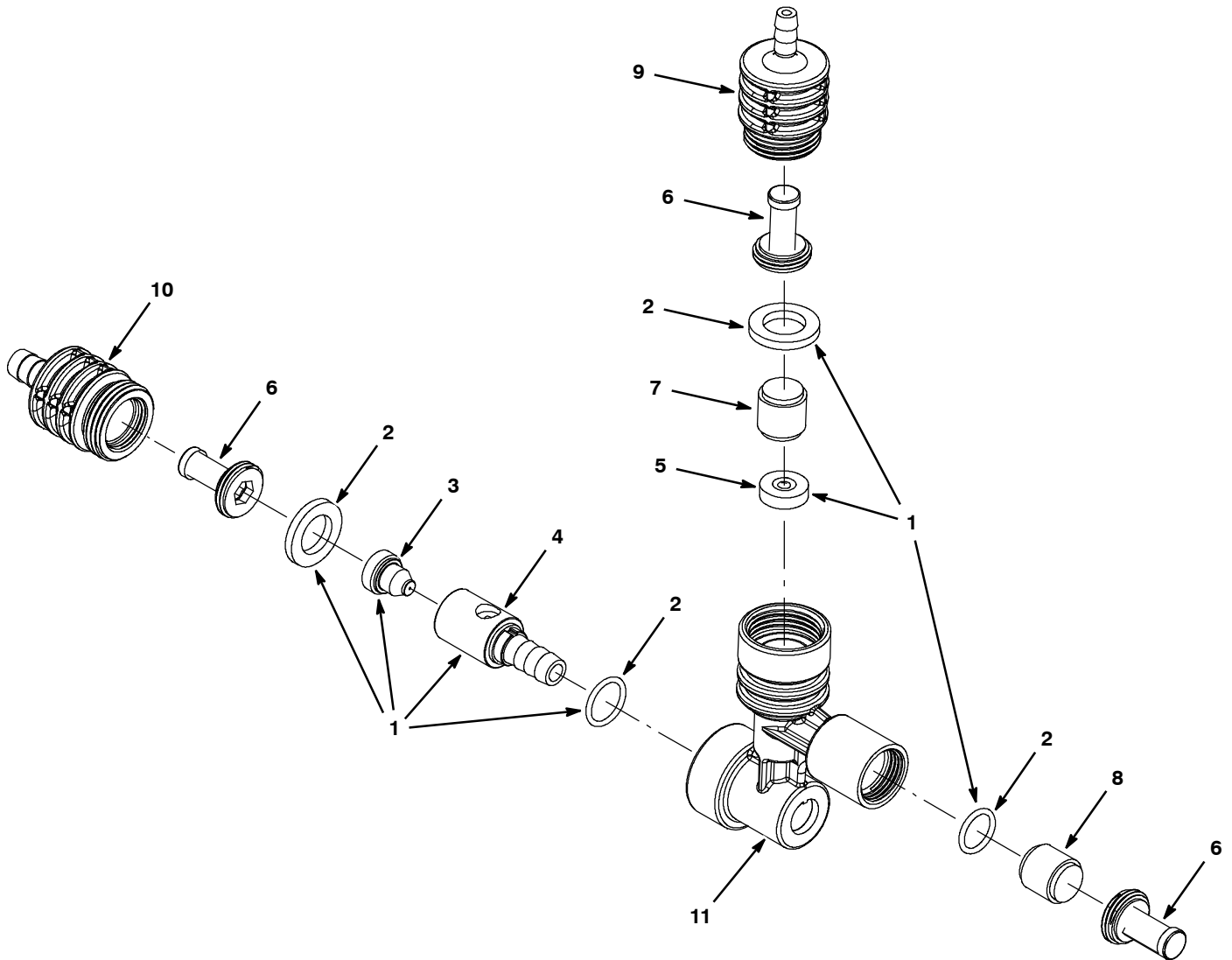


Ref.	Part No.	Serial Number	Description	Qty.
▽	9008865	(30000000- 40000000 )	Fast Kit, Injector, Ci [T3/Ss3 Fast Iii]	1
▲▽	1	9008758	Fast Kit, Ci [Inj Rebltd, T3/Ss3, LI]	1
▲▲	2	9008848	Fast Kit, Seal, Injector, Ci [Fast Iii]	1
▲▲	3	1039988	Plug, Orifice, 0.027, Ss [Fast Ii+]	1
▲▲	4	1053366	Insert, Venturi, Small, [Fast Iii]	1
▲▲	5	1059870	Plate Assy, Orifice, 0.0065id, Blk	1
▲	6	9003009	Fast Kit, Ci, Injector Filters[Fast Ii+]	1
▲	7	1030444	Valve, Check, 0002psi [Fast Ii+]	1
▲	8	1030441	Valve, Check, 0005psi [Fast Ii+]	1
▲	9	1058126	Housing, Fltr, Upper [Fast Iii]	1
▲	10	1057811	Housing, Fltr, Lower [Fast Iii]	1
▲	11	1053564	Housing, Body, Injector [Fast Iii]	1

▽ ASSEMBLY

▲ INCLUDED IN ASSEMBLY

9008847 FAST INJECTOR ASSEMBLY BREAKDOWN,  
DUAL DISK 60 CM MODEL



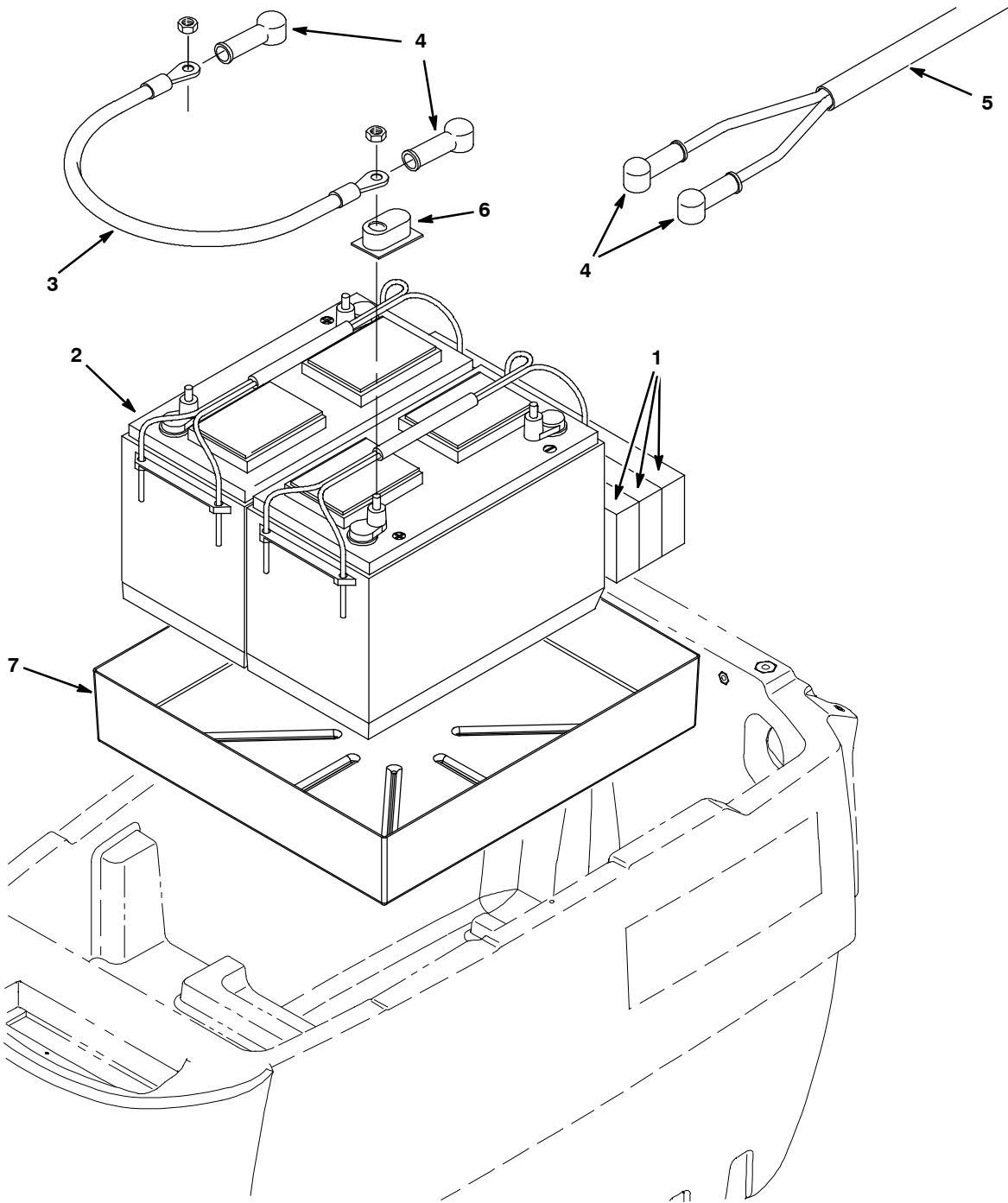
Ref.	Part No.	Serial Number	Description	Qty.
▽	9008847	(30000000- 40000000 )	Fast Kit, Injector[T5 60/65cm, Fast lii]	1
▲▽	1	9003811	(30000000- 40000000 ) Fast Kit, Ci[Inj Reblid, T5 60/65cm, li+]	1
▲▲	2	9008848	(30000000- 40000000 ) Fast Kit, Seal, Injector, Ci [Fast lii]	1
▲▲	3	1039989	(30000000- 40000000 ) Plug, Orifice, 0.030, Ss [Fast li+]	1
▲▲	4	1059250	(30000000- 40000000 ) Insert, Venturi, Medium, [Fast lii]	1
▲▲	5	1059869	(30000000- 40000000 ) Plate Assy, Orifice, 0.007id, Red	1
▲	6	9003009	(30000000- 40000000 ) Fast Kit, Ci, Injector Filters[Fast li+]	1
▲	7	1030444	(30000000- 40000000 ) Valve, Check, 0002psi [Fast li+]	1
▲	8	1030441	(30000000- 40000000 ) Valve, Check, 0005psi [Fast li+]	1
▲	9	1058126	(30000000- 40000000 ) Housing, Fltr, Upper [Fast lii]	1
▲	10	1057811	(30000000- 40000000 ) Housing, Fltr, Lower [Fast lii]	1
▲	11	1053564	(30000000- 40000000 ) Housing, Body, Injector [Fast lii]	1

▽ ASSEMBLY

▲ INCLUDED IN ASSEMBLY

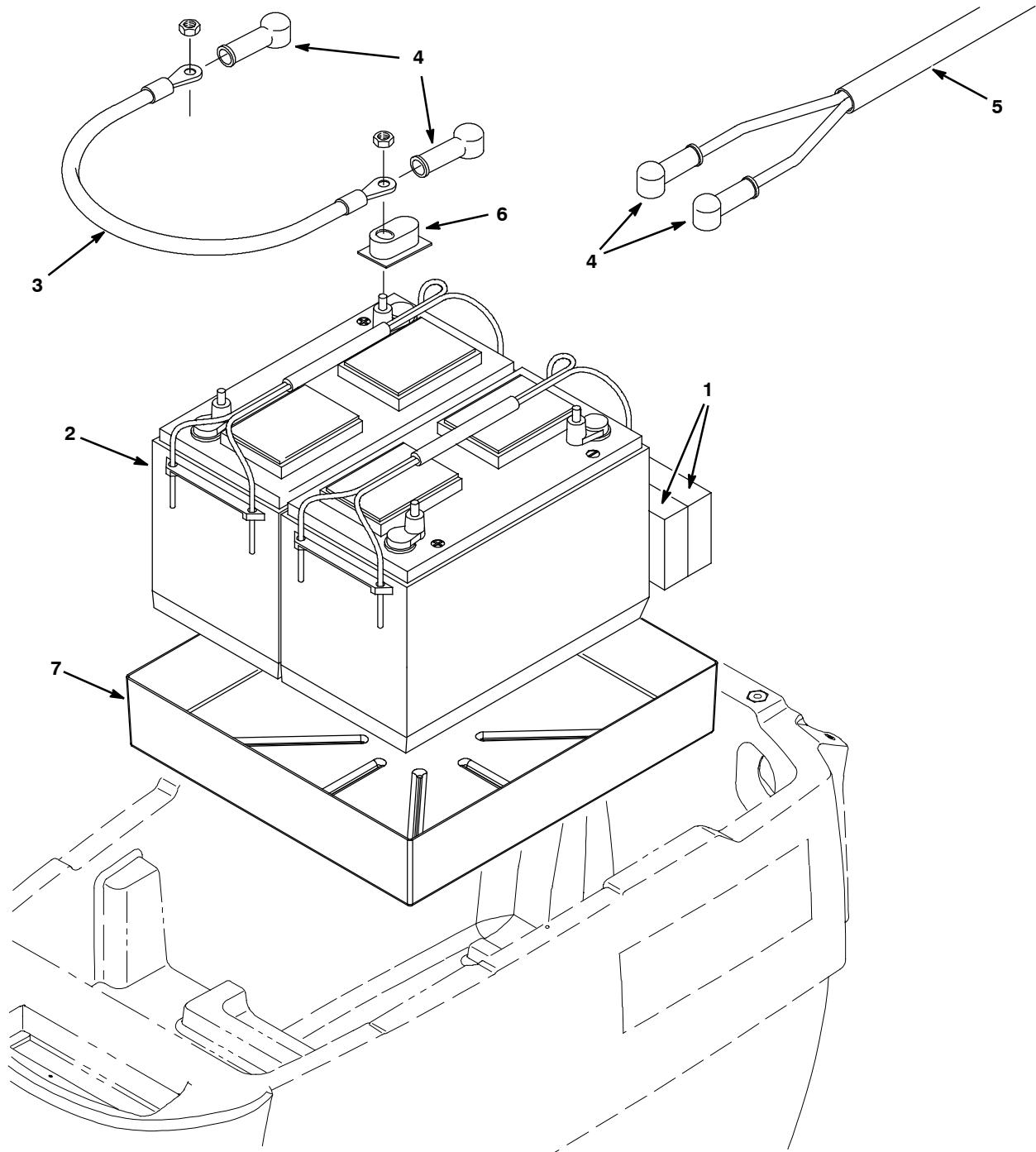
# STANDARD PARTS

## BATTERY AND CABLE GROUP, 12V/105 AH, 43 cm (17 in) BRUSH ASSIST MODEL



Ref.	Part No.	Serial Number	Description	Qty.
1	630375	(30000000- 40000000 )	Spacer, Battery, 1.25 X 3.25 X 13.7 Foam	3
2	578426	(30000000- 40000000 )	Battery, 12vdc, 0530cca, 105ah [27tmx]	2
3	130364	(30000000- 40000000 )	Cable, 06ga 15.0l Blk .31ring /.38ring	1
4	611221	(30000000- 40000000 )	Boot, Terminal, Battery, 25.4mm, Blk	4
5	1015941	(30000000- 40000000 )	Harness, Battery	1
6	45962	(30000000- 40000000 )	Cap, Plstc, .04 1.38 X 2.30 0.5l	4
7	1059486	(30000000- 40000000 )	Tray, Battery [Ss3 / T3]	1

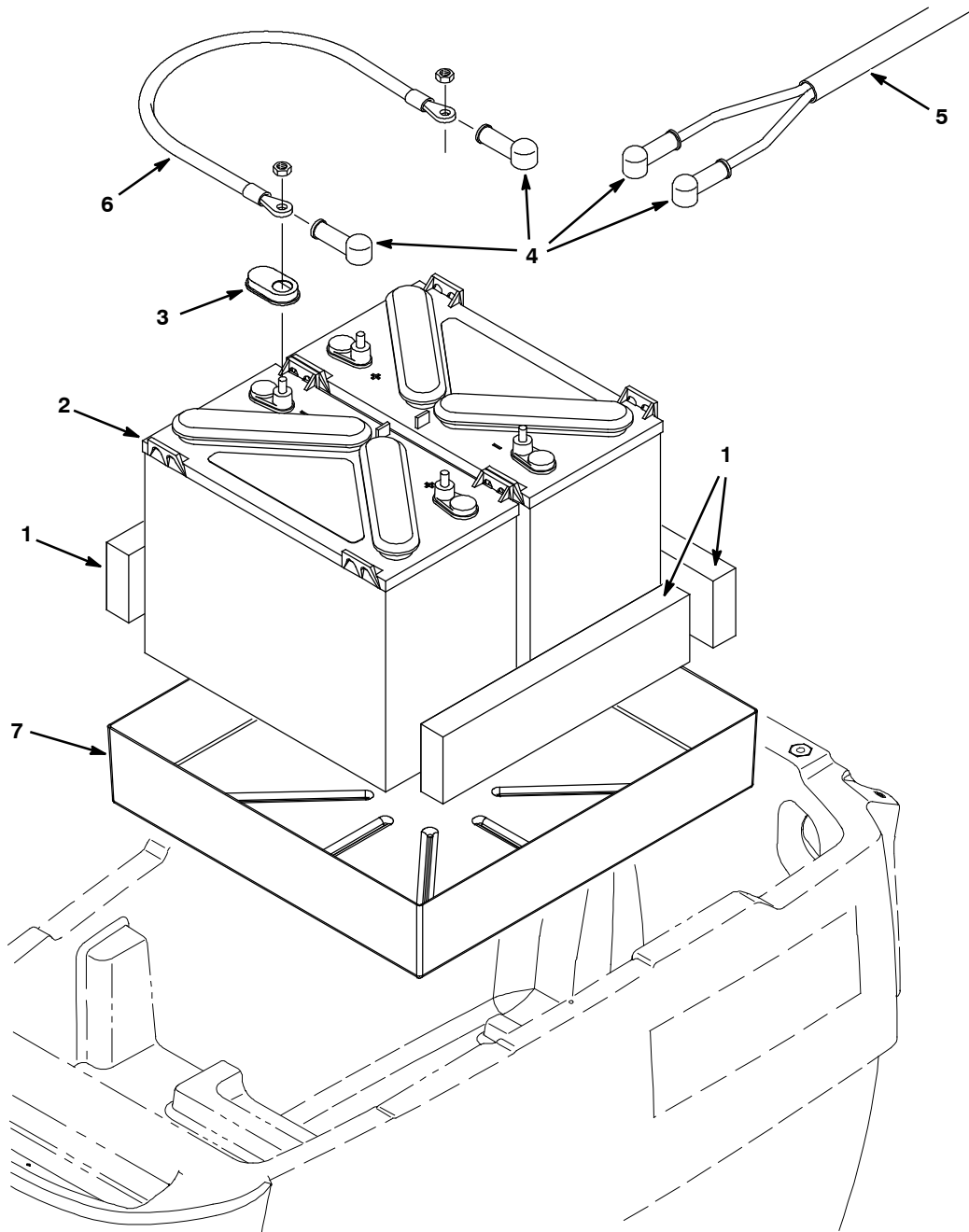
**BATTERY AND CABLE GROUP, 12V/130 Ah, 50 cm (20 in) BRUSH ASSIST MODEL**



Ref.	Part No.	Serial Number	Description	Qty.
1	630375	(30000000- 40000000 )	Spacer, Battery, 1.25 X 3.25 X 13.7 Foam	2
2	130869	(30000000- 40000000 )	Battery, 12vdc, Cca, 130ah(30xhs- Wnt)	2
3	130364	(30000000- 40000000 )	Cable, 06ga 15.0l Blk .31ring /.38ring	1
4	611221	(30000000- 40000000 )	Boot, Terminal, Battery, 25.4mm, Blk	4
5	1015941	(30000000- 40000000 )	Harness, Battery	1
6	45962	(30000000- 40000000 )	Cap, Plstc, .04 1.38 X 2.30 0.5l	4
7	1059486	(30000000- 40000000 )	Tray, Battery [Ss3 / T3]	1

# STANDARD PARTS

## BATTERY AND CABLE GROUP, 12V/155 AH, 50 cm (20 in) / 60 cm (24 in) DRIVE MODEL



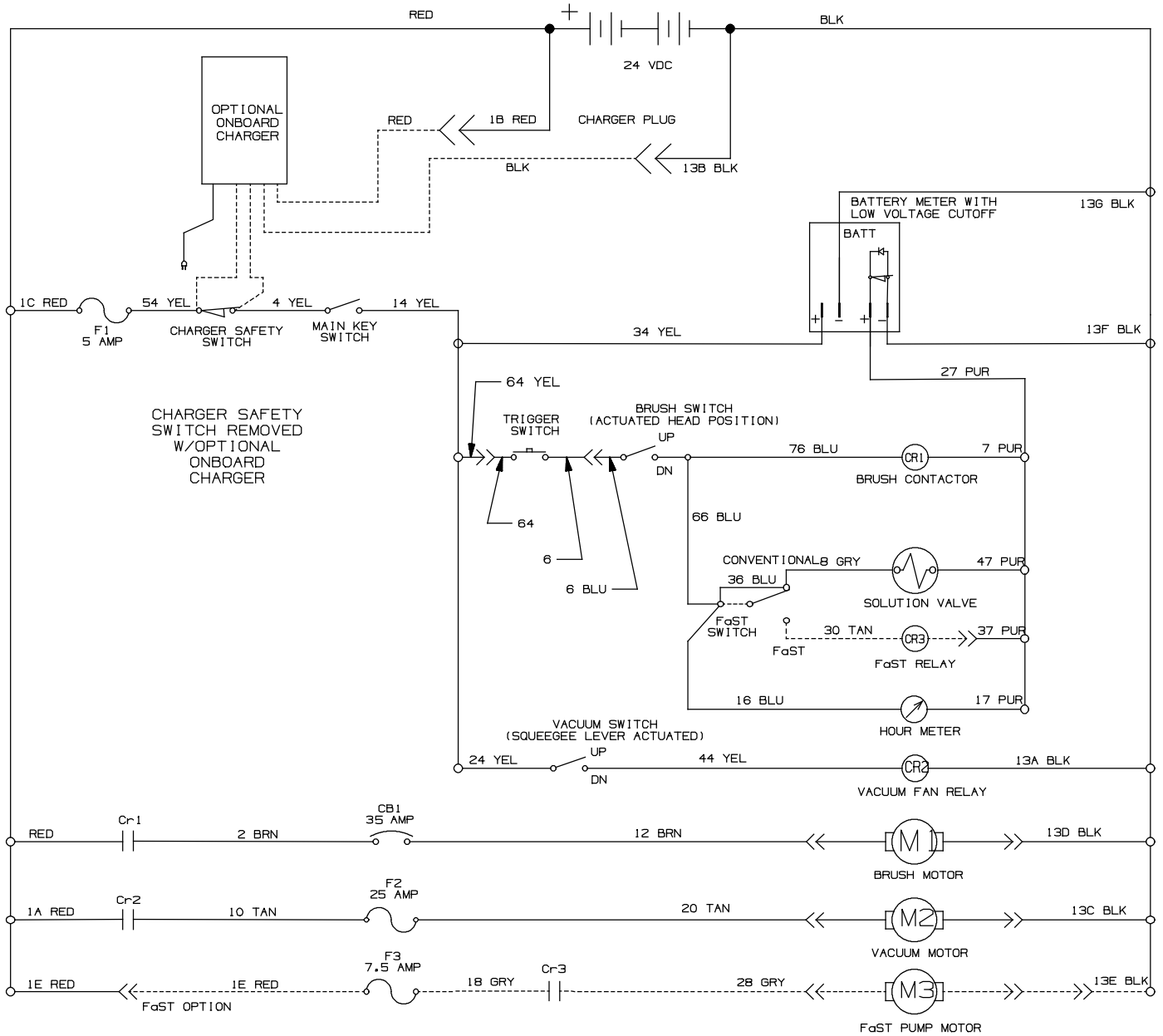
Ref.	Part No.	Serial Number	Description	Qty.
	1	630375	(30000000- 40000000 ) Spacer, Battery, 1.25 X 3.25 X 13.7 Foam	3
▽	2	1015046	(30000000- 40000000 ) Battery, 12vdc, 155ah, Wet	2
▲	3	1041030	(30000000- 40000000 ) Cap, Battery	4
	4	611221	(30000000- 40000000 ) Boot, Terminal, Battery, 25.4mm, Blk	4
	5	1015941	(30000000- 40000000 ) Harness, Battery	1
	6	130364	(30000000- 40000000 ) Cable, 06ga 15.0l Blk .31ring /.38ring	1
	7	1059486	(30000000- 40000000 ) Tray, Battery [Ss3 / T3]	1

▽ ASSEMBLY

▲ INCLUDED IN ASSEMBLY

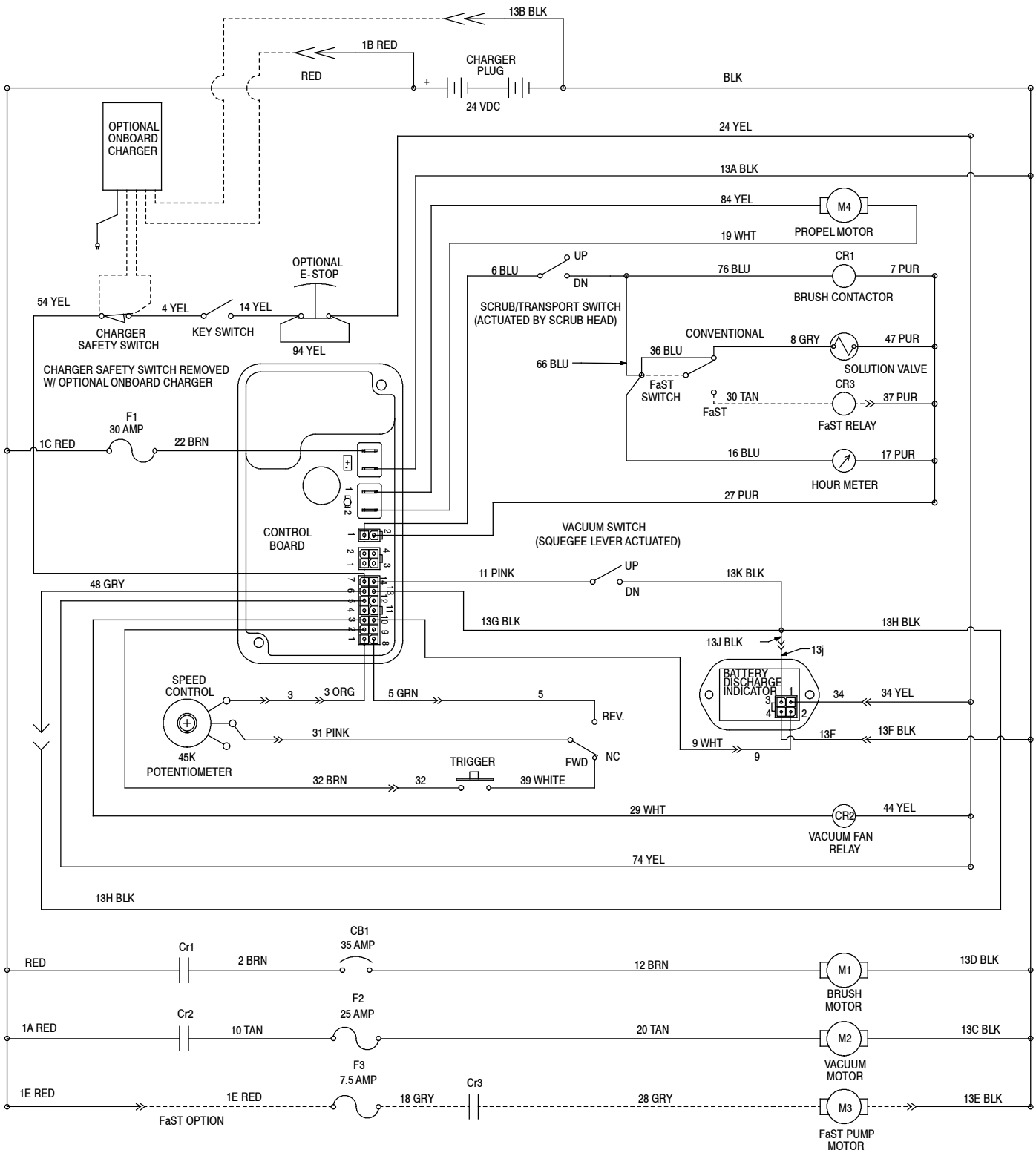
ELECTRICAL DIAGRAM, BRUSH ASSIST STANDARD & FaST MODEL

1032409



ELECTRICAL DIAGRAM, DRIVE STANDARD & FaST MODEL

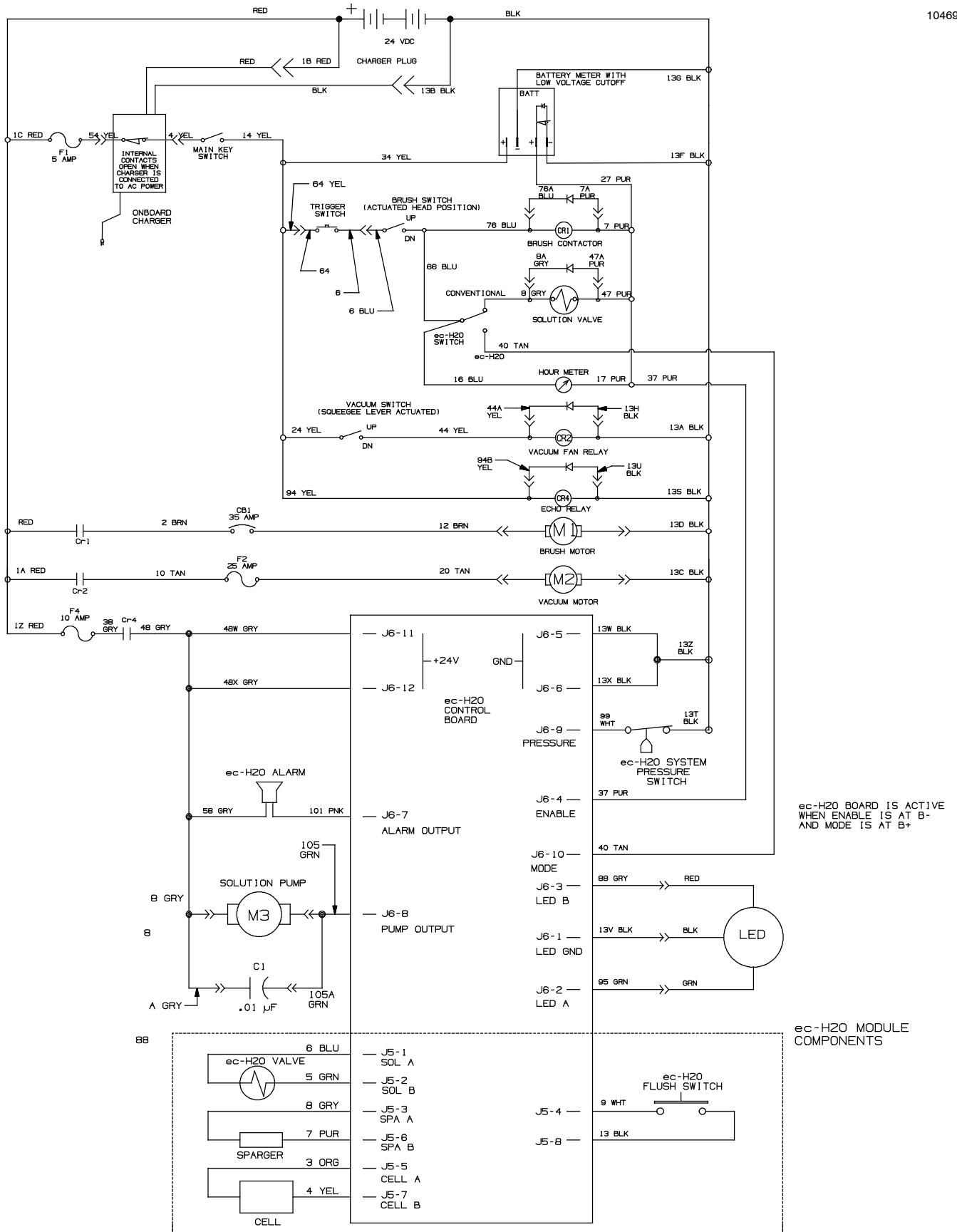
1032396





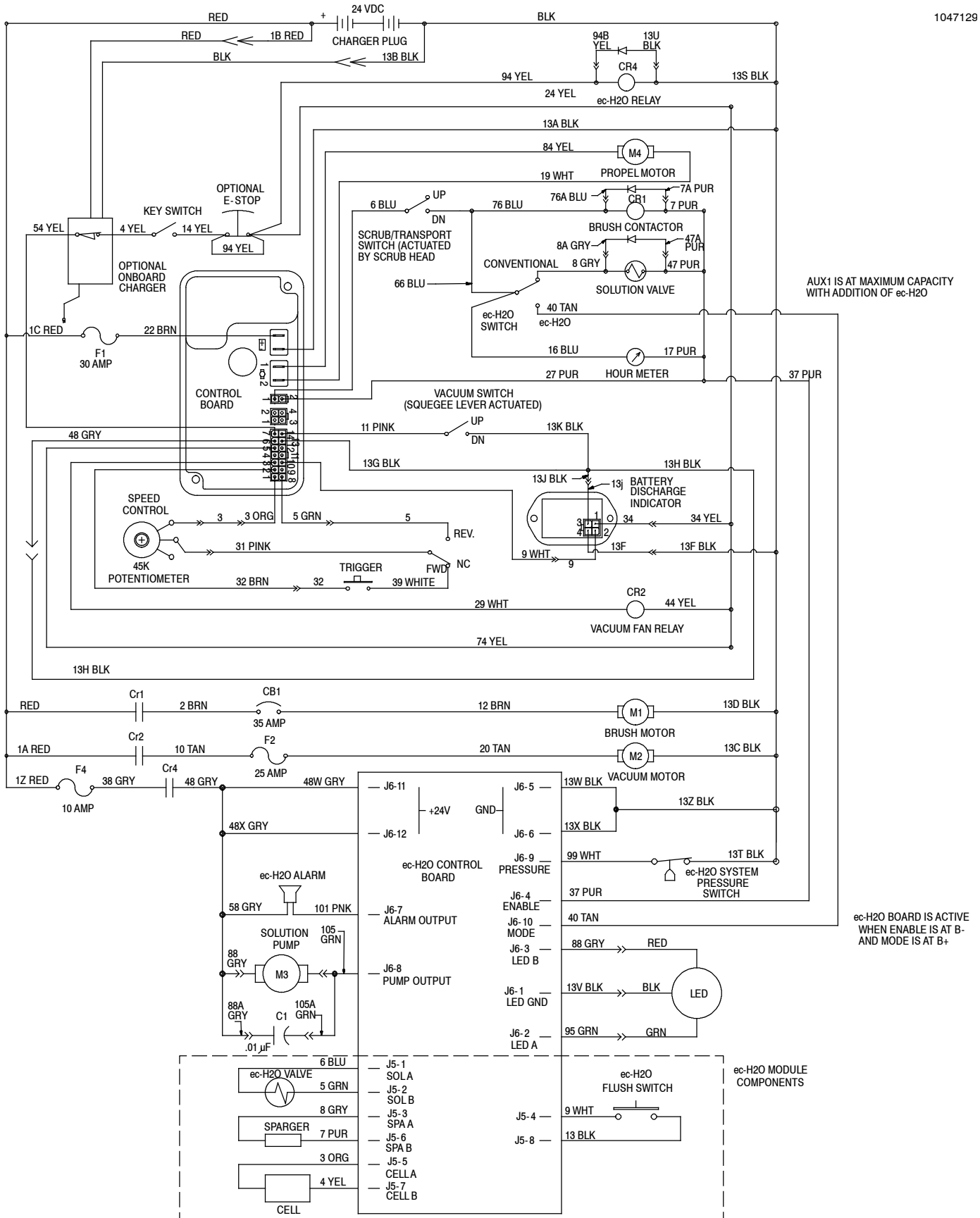
ELECTRICAL DIAGRAM, BRUSH ASSIST ec-H2O MODEL

1046949

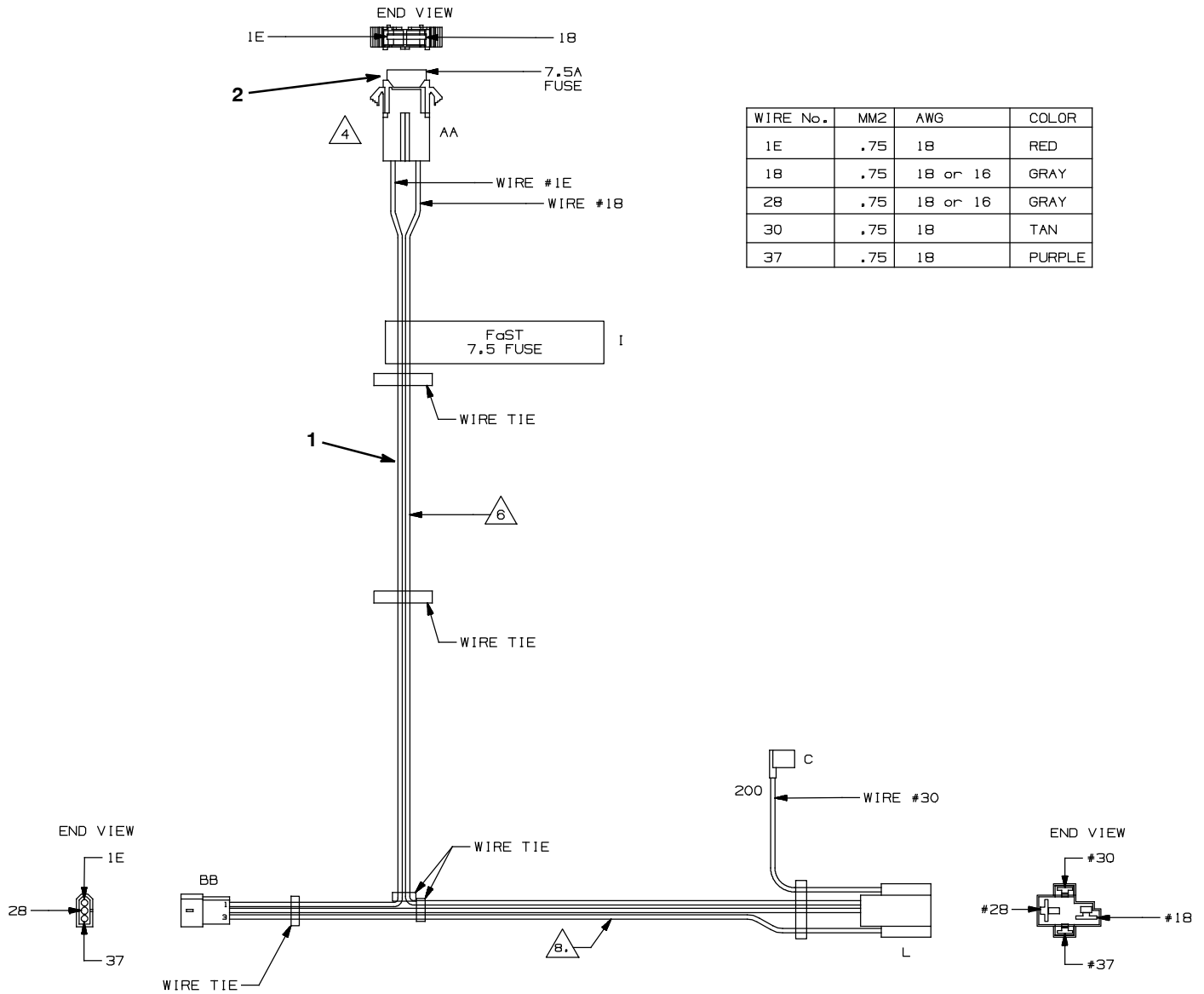


ELECTRICAL DIAGRAM, DRIVE ec-H2O MODEL

1047129



WIRE HARNESS GROUP, FAST OPTION



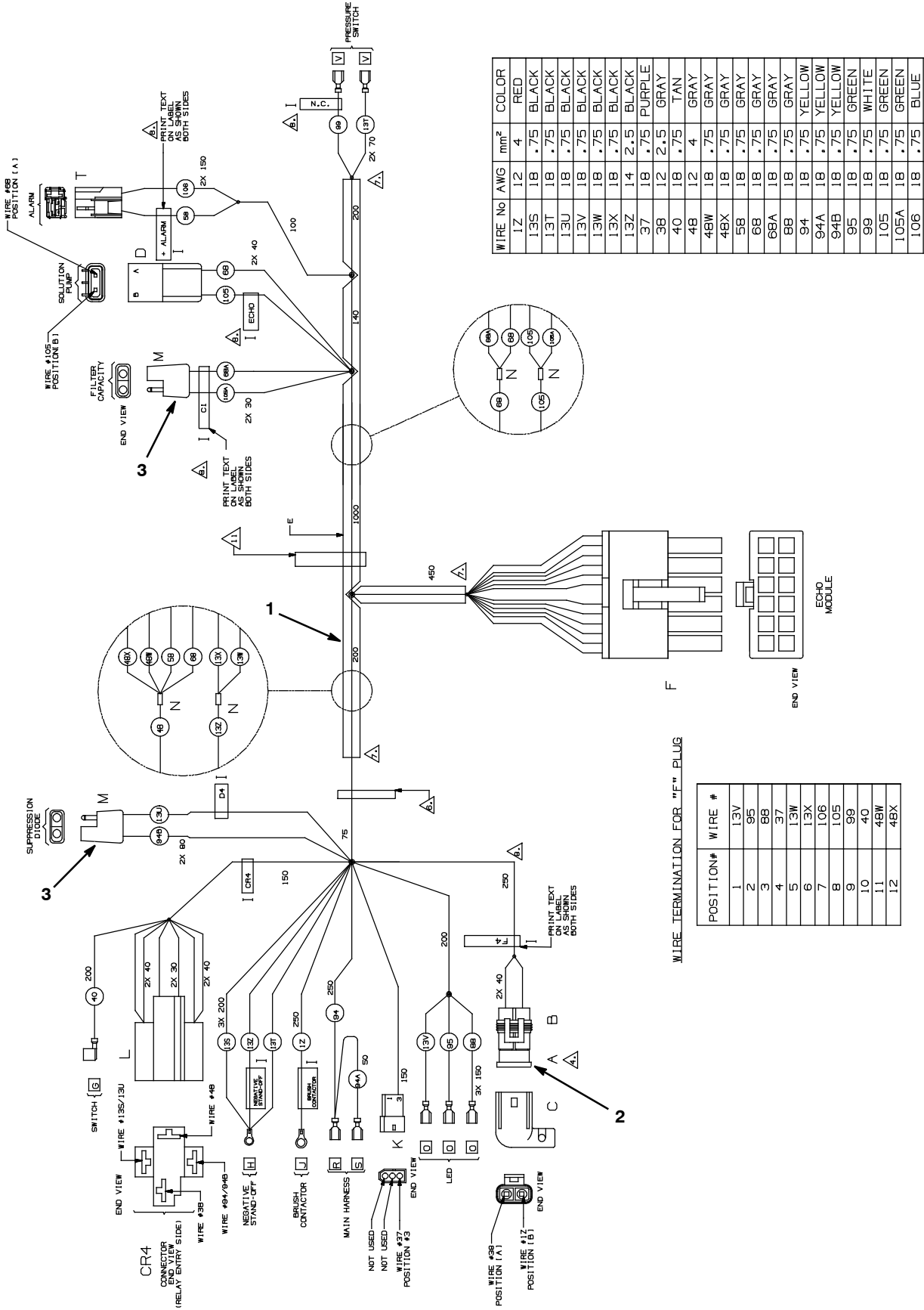
WIRE No.	MM2	AWG	COLOR
1E	.75	18	RED
18	.75	18 or 16	GRAY
28	.75	18 or 16	GRAY
30	.75	18	TAN
37	.75	18	PURPLE

Ref.	Part No.	Serial Number	Description	Qty.
▽	1	1013644 (30000000- 40000000 )	Harness [Fast Option]	1
▲	2	1016039 (30000000- 40000000 )	Fuse, Blade, 007.5a, 32vdc	1

▽ ASSEMBLY

▲ INCLUDED IN ASSEMBLY

WIRE HARNESS GROUP, ec-H2O OPTION



WIRE No	AWG	mm <sup>2</sup>	COLOR
1Z	12	4	RED
13S	18	.75	BLACK
13T	18	.75	BLACK
13U	18	.75	BLACK
13V	18	.75	BLACK
13W	18	.75	BLACK
13X	18	.75	BLACK
13Z	14	2.5	BLACK
37	18	.75	PURPLE
38	12	2.5	GRAY
40	18	.75	TAN
48	12	4	GRAY
48W	18	.75	GRAY
48X	18	.75	GRAY
58	18	.75	GRAY
68	18	.75	GRAY
68A	18	.75	GRAY
88	18	.75	GRAY
94	18	.75	YELLOW
94A	18	.75	YELLOW
94B	18	.75	YELLOW
95	18	.75	GREEN
99	18	.75	WHITE
105	18	.75	GREEN
105A	18	.75	GREEN
106	18	.75	BLUE

WIRE TERMINATION FOR "F" PLUG

POSITION#	WIRE #
1	13V
2	95
3	88
4	37
5	13W
6	13X
7	106
8	105
9	99
10	40
11	48W
12	48X

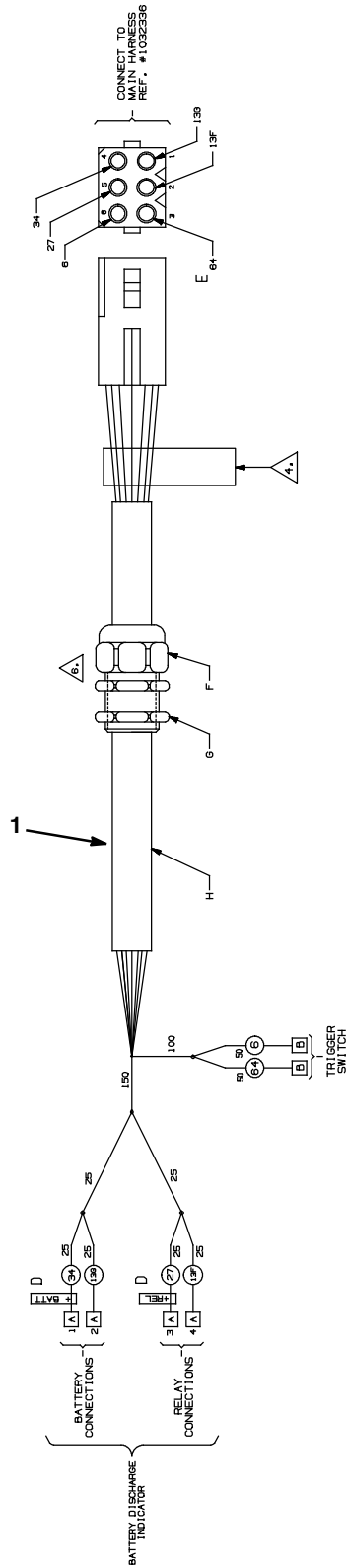
WIRE HARNESS GROUP, *ec-H2O* OPTION

	<b>Ref.</b>	<b>Part No.</b>	<b>Serial Number</b>	<b>Description</b>	<b>Qty.</b>
▽	1	1055408	(30000000- 40000000 )	Harness Assy, Wire [T3e Ec- H2o]	1
▲	2	1047470	(30000000- 40000000 )	Fuse, Blade, 010a, 32vdc, Red	1
▲	3	222290	(30000000- 40000000 )	Diode, Ele, Plug	2

▽ ASSEMBLY

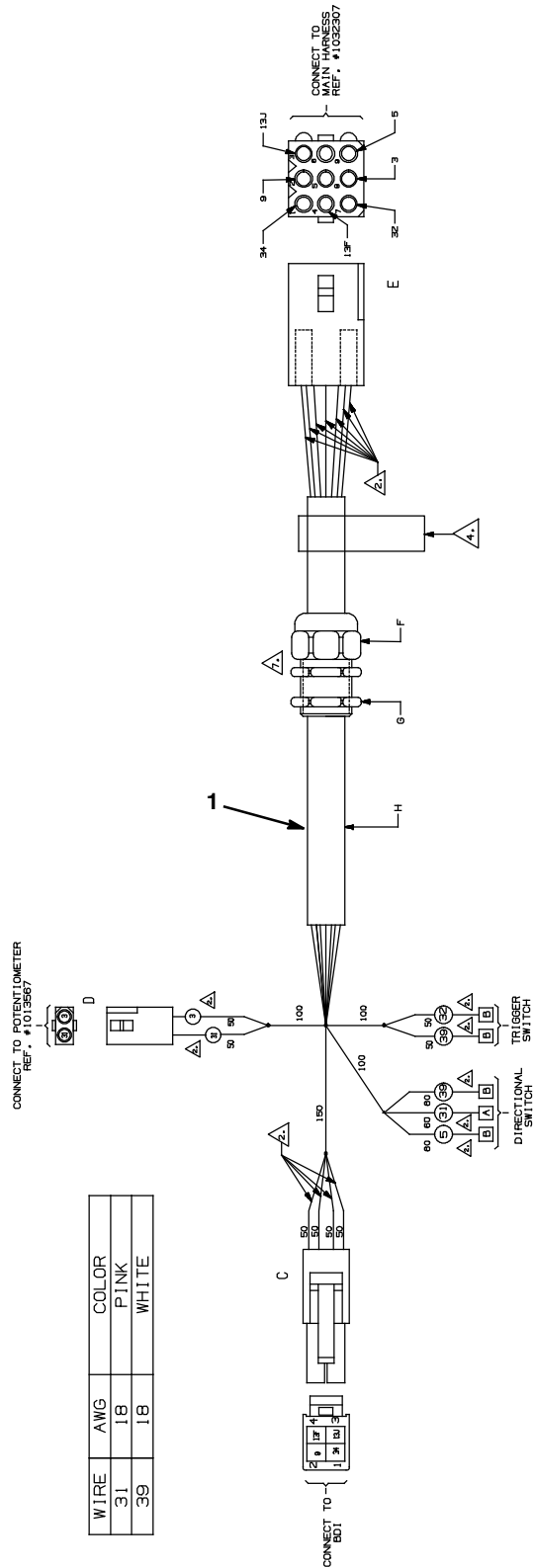
▲ INCLUDED IN ASSEMBLY

WIRE HARNESS GROUP, CONSOLE, BRUSH ASSIST MODEL



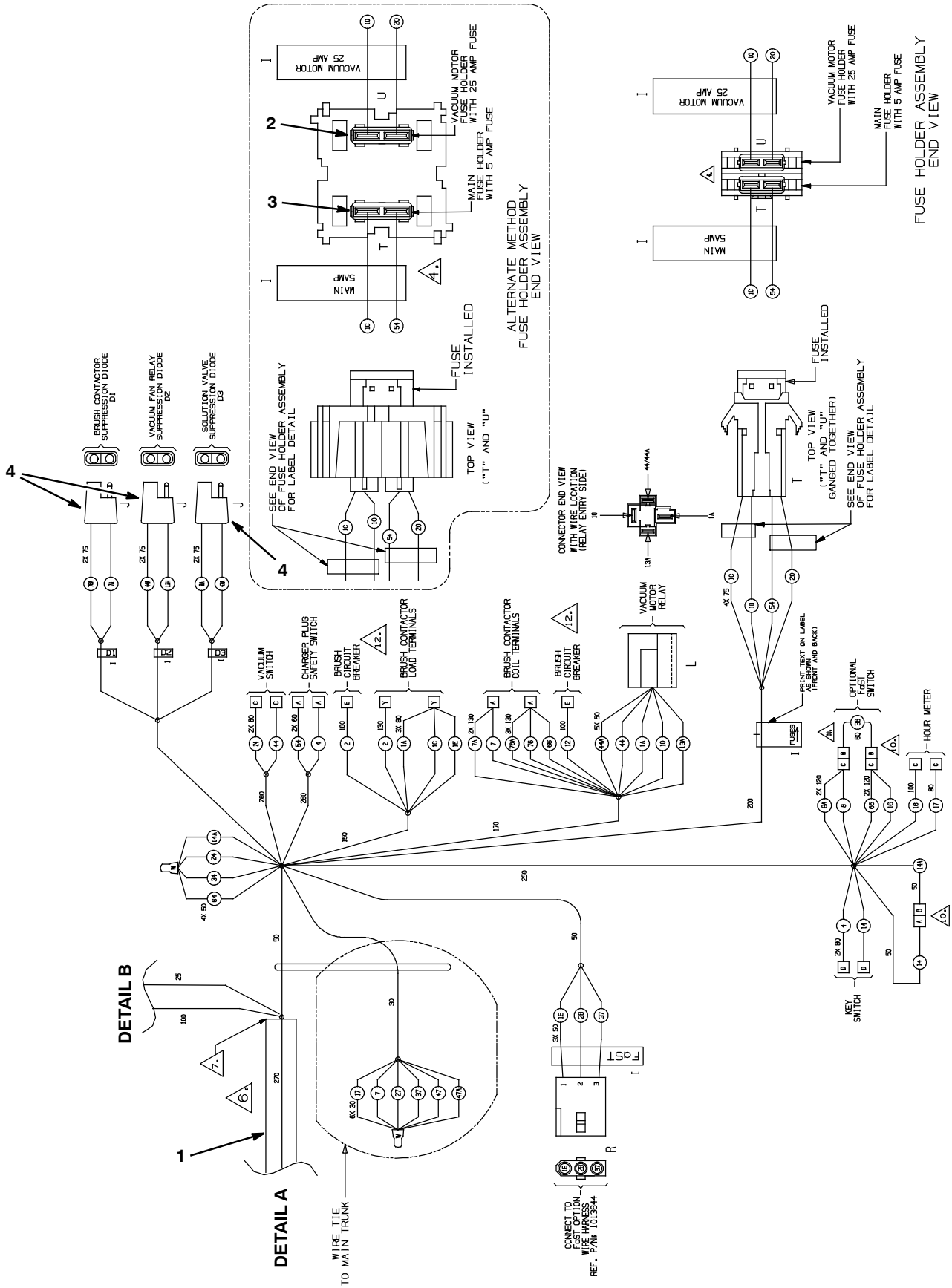
Ref.	Part No.	Serial Number	Description	Qty.
1	1032338	(30000000- 40000000 )	Harness, Wire, Console, Push [Ss3]	1

WIRE HARNESS GROUP, CONSOLE, DRIVE MODEL



Ref.	Part No.	Serial Number	Description	Qty.
1	1032325	(30000000- 40000000 )	Harness, Wire, Console, Drive [Ss3]	1

WIRE HARNESS GROUP, MAIN, BRUSH ASSIST MODEL

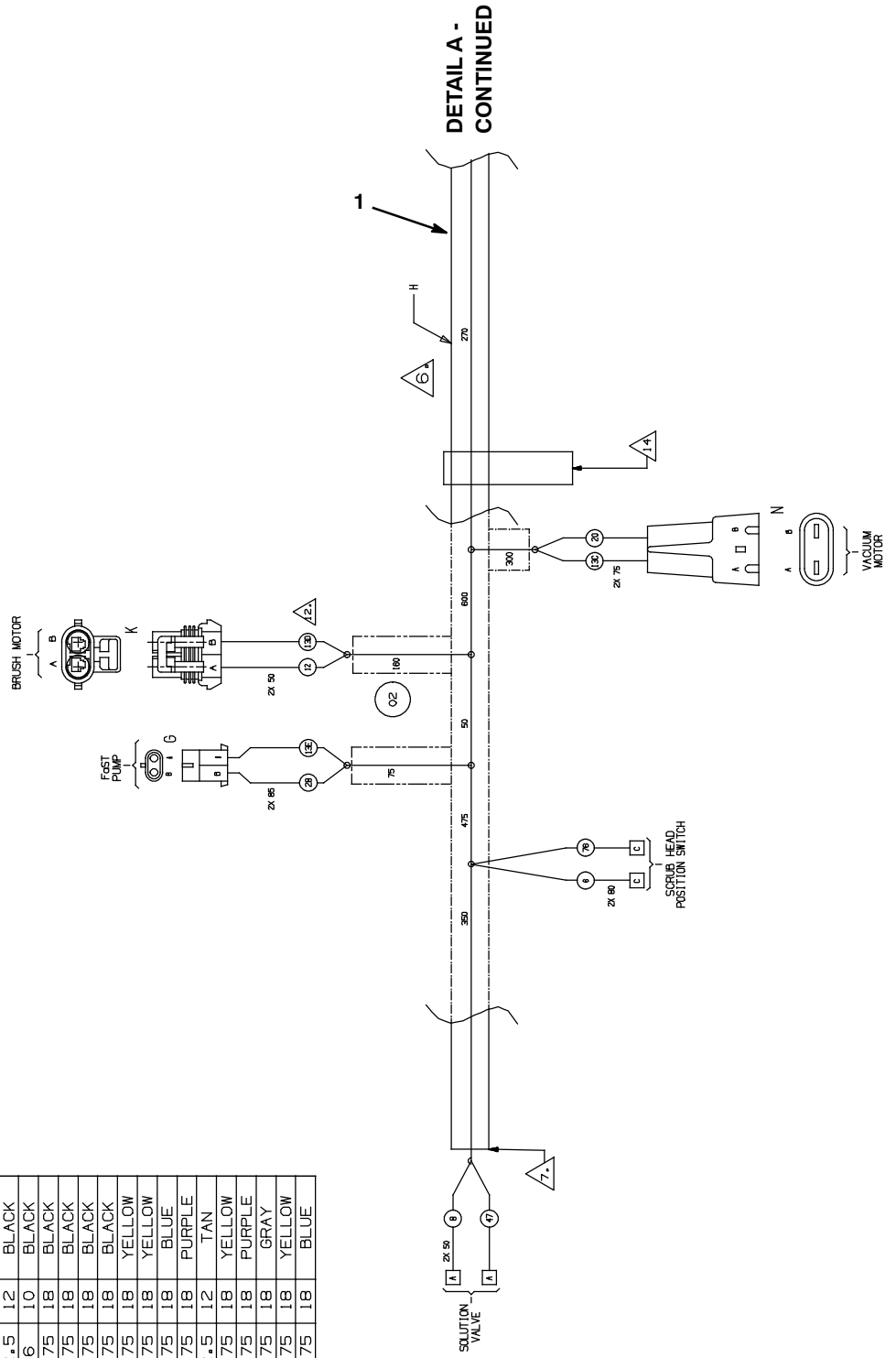




WIRE HARNESS GROUP, MAIN, BRUSH ASSIST MODEL - CONT'D

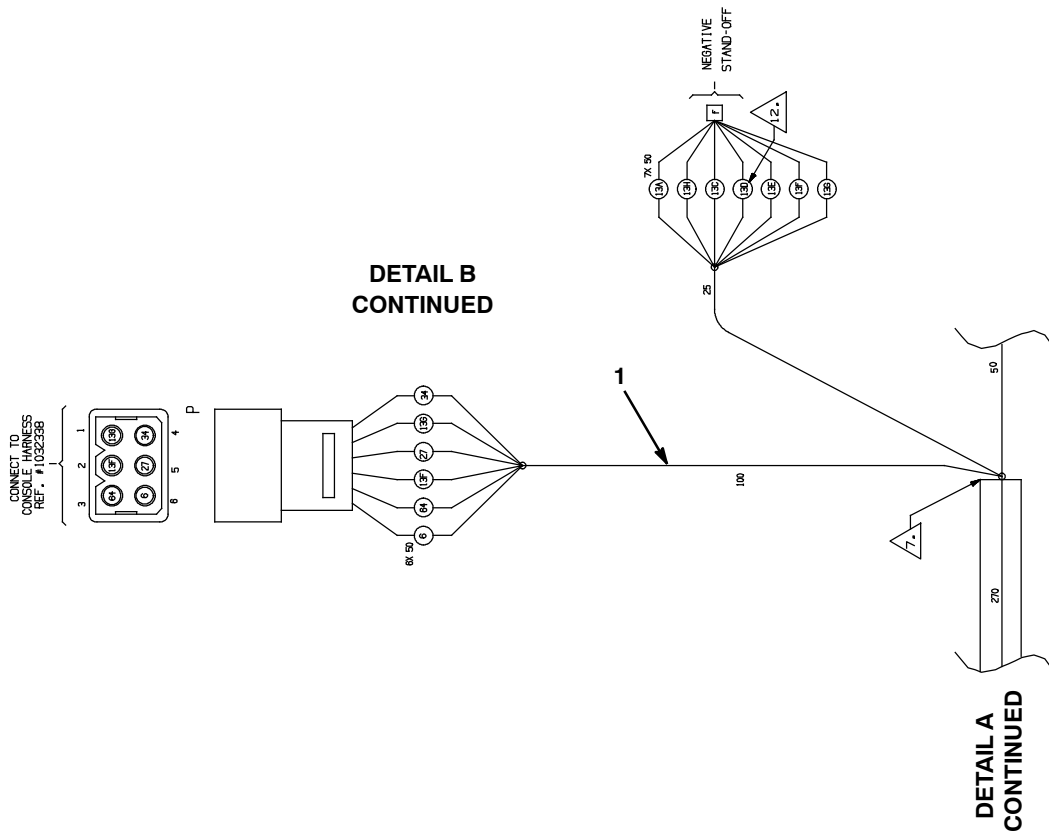
WIRE NO:	mm <sup>2</sup>	AWG	COLOR
37	.75	18	PURPLE
44	.75	18	YELLOW
44A	.75	18	YELLOW
47	.75	18	PURPLE
47A	.75	18	PURPLE
54	.75	18	YELLOW
64	.75	18	YELLOW
66	.75	18	BLUE
76	.75	18	BLUE
76A	.75	18	BLUE

WIRE NO:	mm <sup>2</sup>	AWG	COLOR
1A	2.5	12	RED
1B	-	-	-
1C	.75	18	RED
1E	.75	18	RED
2	.6	10	BROWN
4	.75	18	YELLOW
6	.75	18	BLUE
7	.75	18	PURPLE
7A	.75	18	PURPLE
8	.75	18	GRAY
8A	.75	18	GRAY
10	2.5	12	TAN
12	.6	10	BROWN
13A	.75	18	BLACK
13B	-	-	-
13C	2.5	12	BLACK
13D	.6	10	BLACK
13E	.75	18	BLACK
13F	.75	18	BLACK
13G	.75	18	BLACK
13H	.75	18	BLACK
14	.75	18	YELLOW
14A	.75	18	YELLOW
16	.75	18	BLUE
17	.75	18	PURPLE
20	2.5	12	TAN
24	.75	18	YELLOW
27	.75	18	PURPLE
28	.75	18	GRAY
34	.75	18	YELLOW
36	.75	18	BLUE



# STANDARD PARTS

## WIRE HARNESS GROUP, MAIN, BRUSH ASSIST MODEL - CONT'D

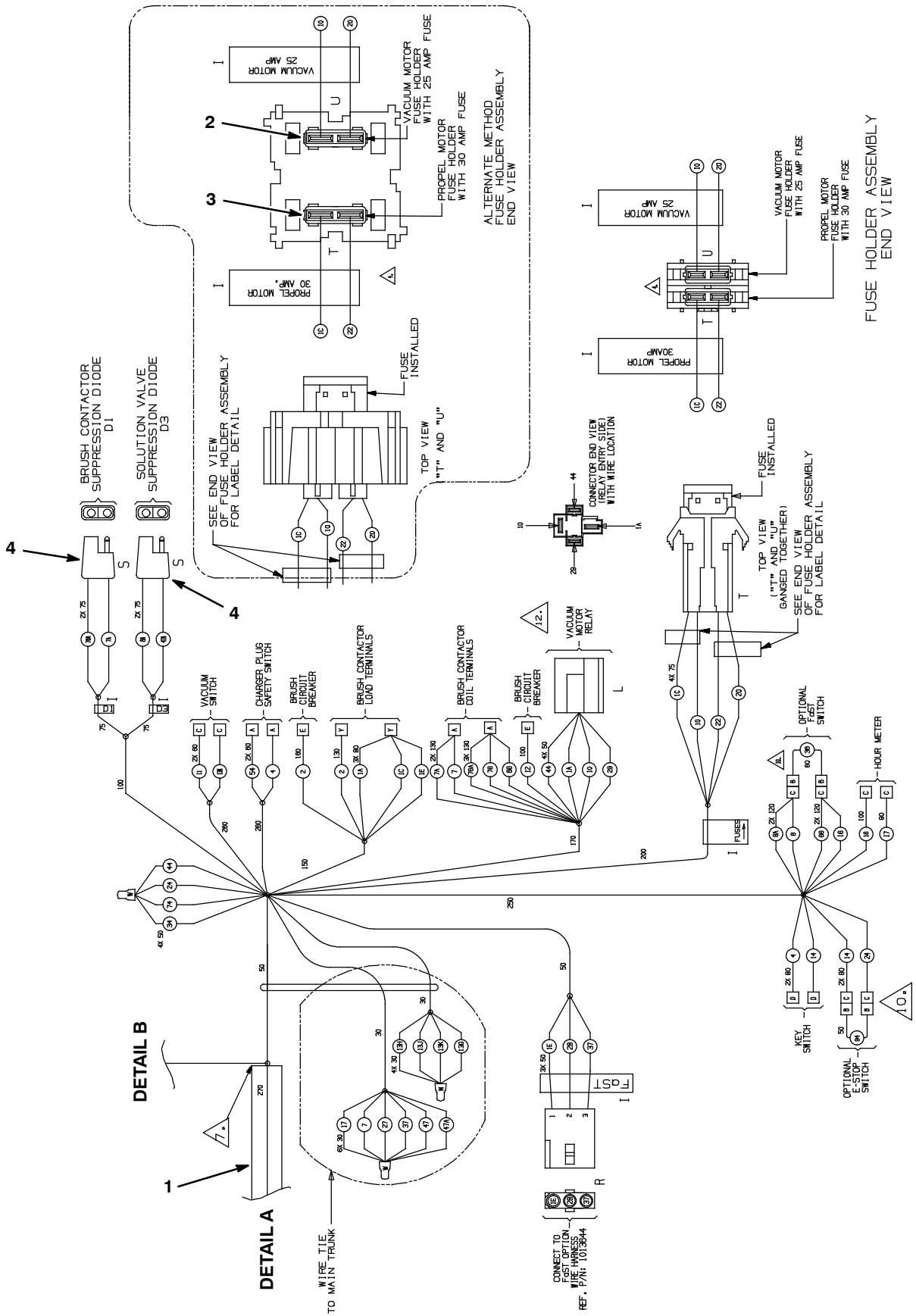


Ref.	Part No.	Serial Number	Description	Qty.
▽	1	1048288	(30000000- 40000000 ) Harness, Main, Push [Ss3]	1
▲	2	1016040	(30000000- 40000000 ) Fuse, Blade, 025a, 32vdc	1
▲	3	1016029	(30000000- 40000000 ) Fuse, Blade, 005a, 32vdc	1
▲	4	222290	(30000000- 40000000 ) Diode, Ele, Plug	3

▽ ASSEMBLY

▲ INCLUDED IN ASSEMBLY

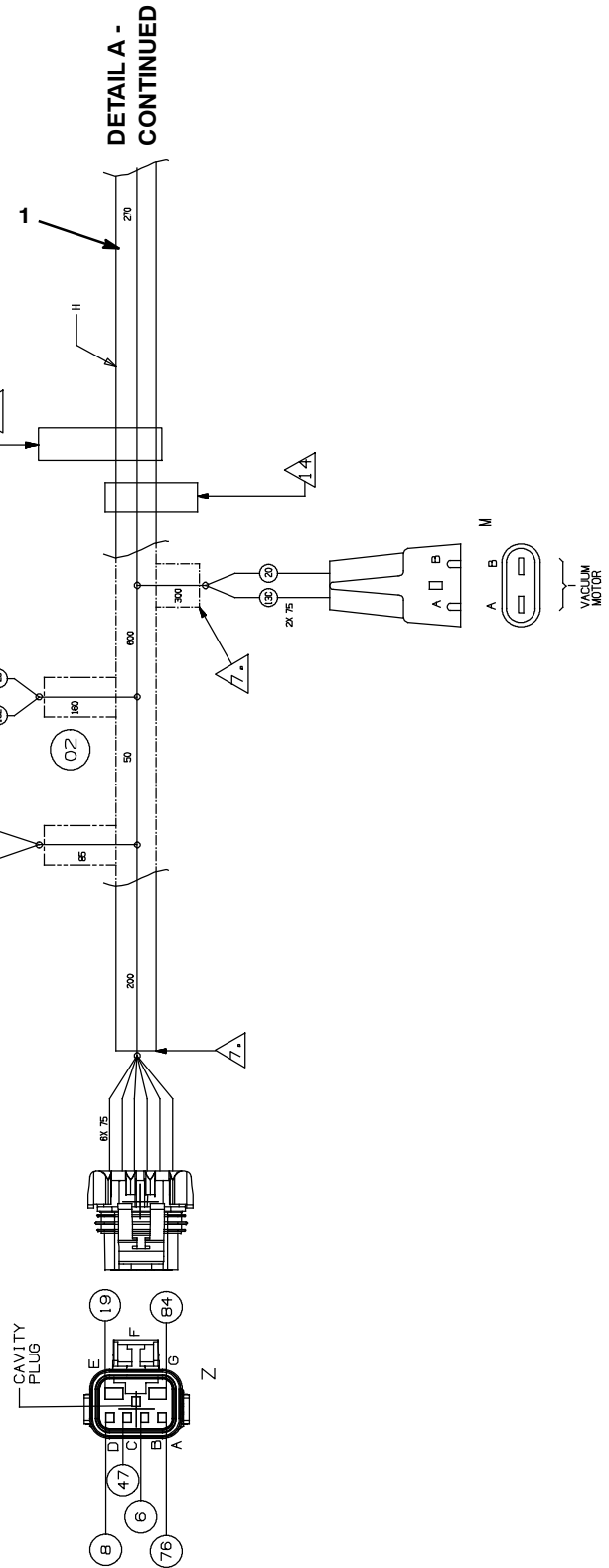
WIRE HARNESS GROUP, MAIN, DRIVE MODEL



WIRE HARNESS GROUP, MAIN, DRIVE MODEL - CONT'D

WIRE NO.	mm <sup>2</sup>	AWG	COLOR
1A	2.5	12	RED
1B	2.5	12	WHITE
20	2.5	12	TAN
21	-	-	-
22	2.5	12	BROWN
24	.75	18	BROWN
27	.75	18	YELLOW
28	.75	18	PURPLE
28	.75	18	GRAY
29	.75	18	WHITE
31	.75	18	PINK
32	.75	18	BROWN
34	.75	18	YELLOW
36	.75	18	BLUE
37	.75	18	PURPLE
44	.75	18	YELLOW
47	.75	18	PURPLE
47A	.75	18	PURPLE
48	.75	18	GRAY
54	.75	18	YELLOW
66	.75	18	BLUE
74	.75	18	YELLOW
76	.75	18	BLUE
76A	.75	18	BLUE
84	2.5	12	YELLOW
94	.75	18	YELLOW

WIRE NO.	mm <sup>2</sup>	AWG	COLOR
1A	2.5	12	RED
1B	-	-	-
1C	2.5	12	RED
1E	.75	18	RED
2	6	10	BROWN
3	.75	18	ORANGE
4	.75	18	YELLOW
5	.75	18	GREEN
6	.75	18	BLUE
7	.75	18	PURPLE
7A	.75	18	PURPLE
8	.75	18	GRAY
8A	.75	18	GRAY
9	.75	18	WHITE
10	2.5	12	TAN
11	.75	18	PINK
12	6	10	BROWN
13A	2.5	12	BLACK
13B	-	-	-
13C	2.5	12	BLACK
13D	6	10	BLACK
13E	.75	18	BLACK
13F	.75	18	BLACK
13G	.75	18	BLACK
13H	.75	18	BLACK
13J	.75	18	BLACK
13K	.75	18	BLACK
14	.75	18	YELLOW
16	.75	18	BLUE
17	.75	18	PURPLE



WIRE HARNESS GROUP, MAIN, DRIVE MODEL - CONT'D

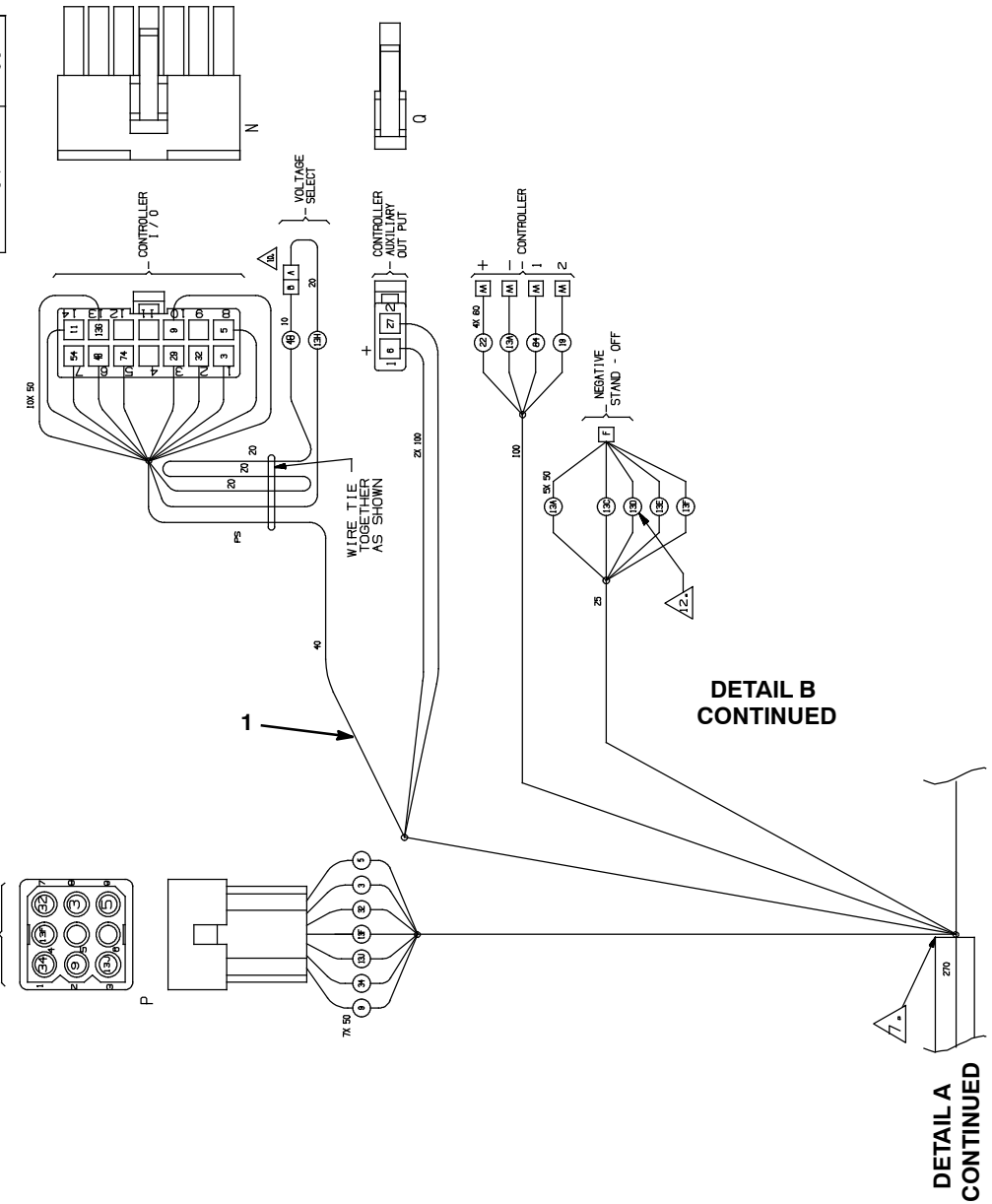
WIRE TERMINATION FOR "N" PLUG

POSITION #	WIRE #
1	3
2	32
3	29
4	-
5	74
6	48
7	54
8	5
9	-
10	9
11	-
12	-
13	13G
14	11

WIRE TERMINATION FOR "P" PLUG

POSITION #	WIRE #
1	34
2	9
3	13J
4	13F
5	-
6	-
7	32
8	3
9	5

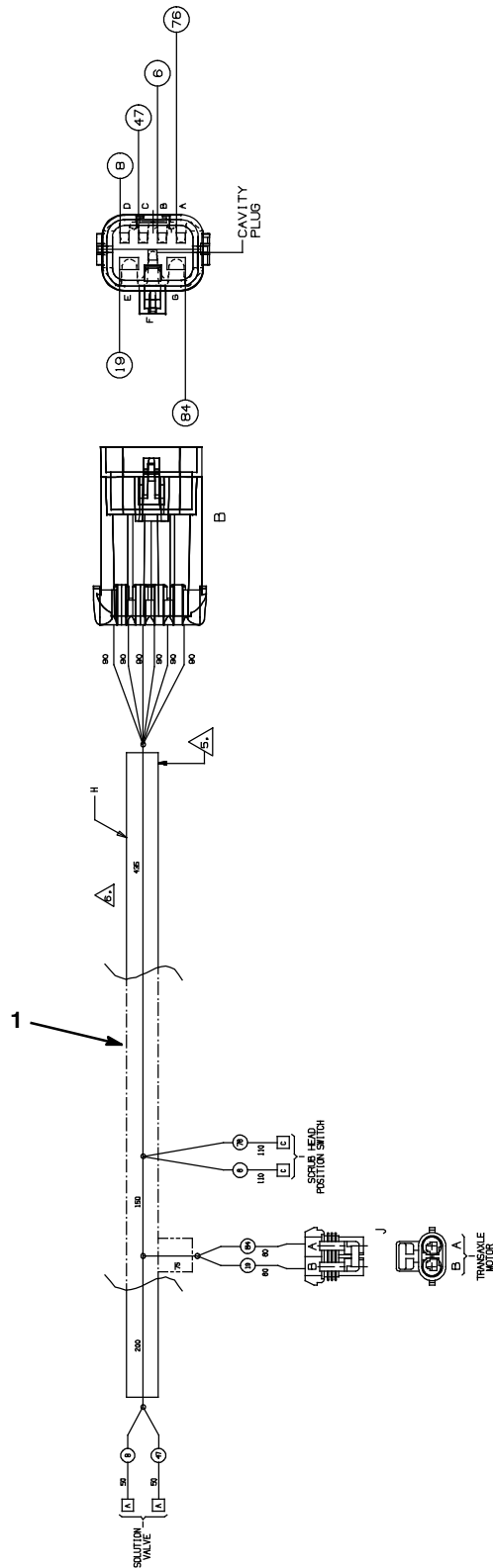
CONNECT TO  
CONSOLE HARNESS  
REF. # 1032325



Ref.	Part No.	Serial Number	Description	Qty.
▽	1	1048337	(30000000- 40000000 ) Harness, Main, Drive [Ss3]	1
▲	2	1016040	(30000000- 40000000 ) Fuse, Blade, 025a, 32vdc	1
▲	3	762516	(30000000- 40000000 ) Fuse, Blade, 030a, 32vdc	1
▲	4	222290	(30000000- 40000000 ) Diode, Ele, Plug	2

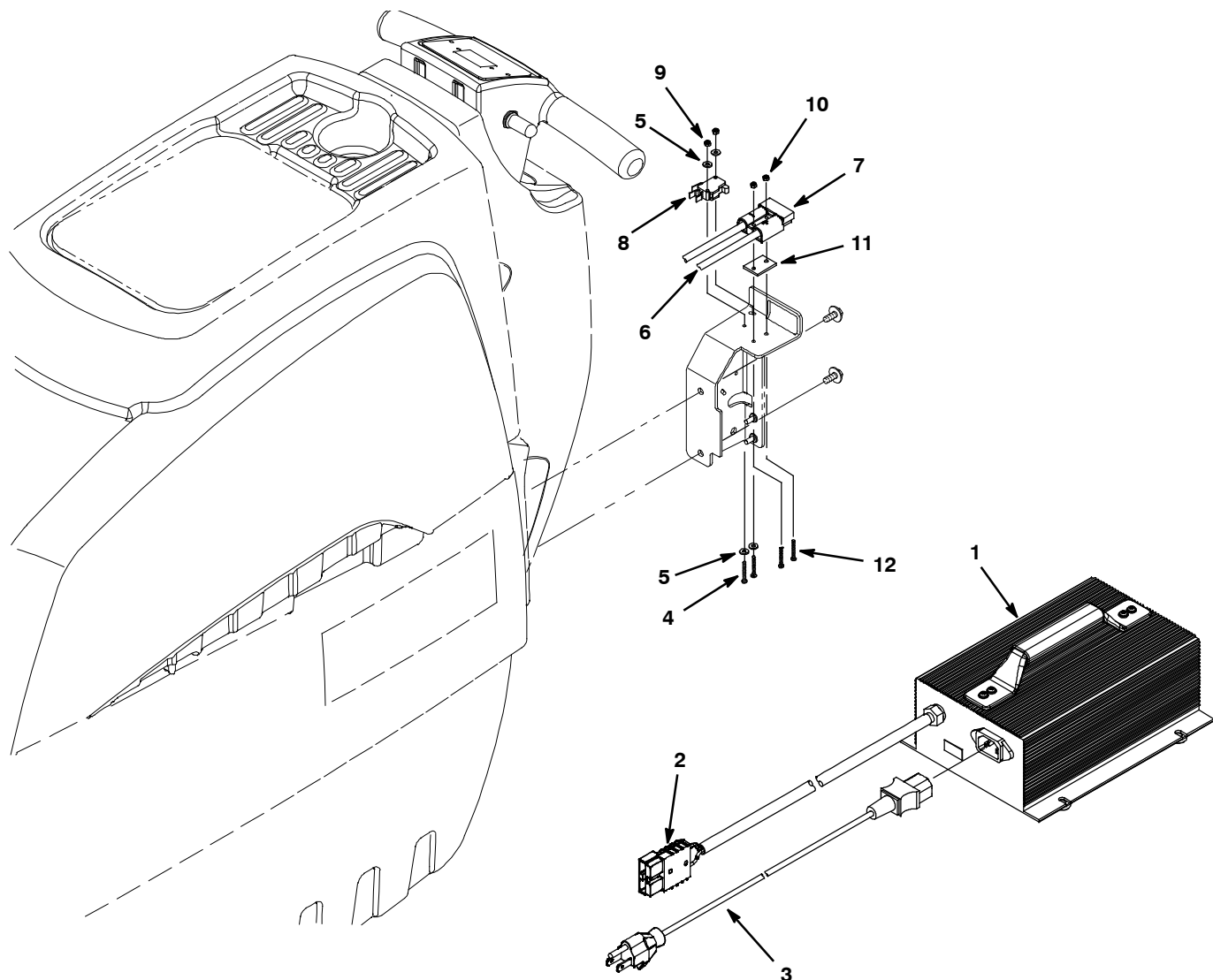
- ▽ ASSEMBLY
- ▲ INCLUDED IN ASSEMBLY

WIRE HARNESS GROUP, FRAME, DRIVE MODEL



Ref.	Part No.	Serial Number	Description	Qty.
1	1019397	(30000000-40000000 )	Harness, Frame, Drive [T3 - Na]	1

OFF-BOARD BATTERY CHARGER GROUP

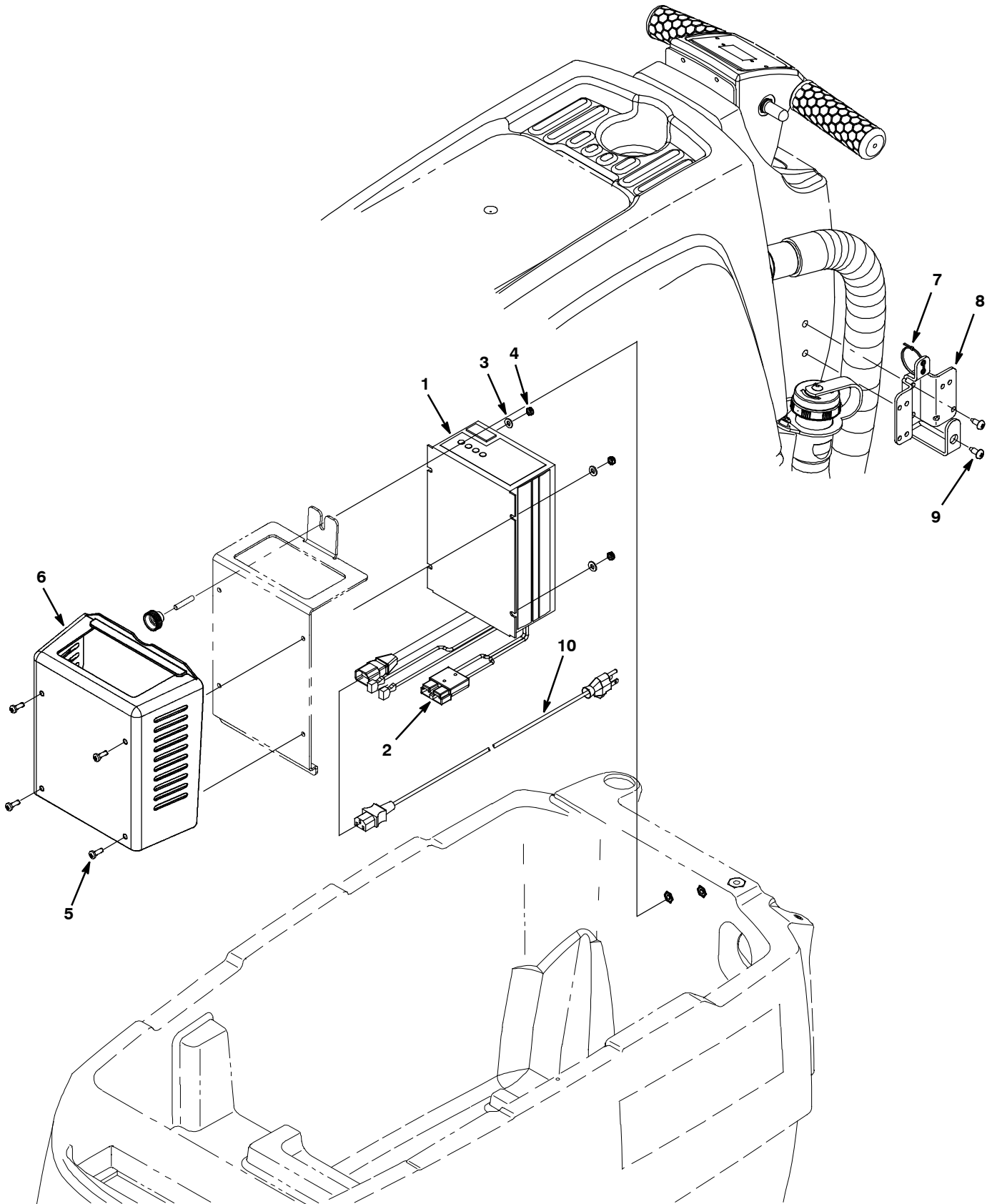


Ref.	Part No.	Serial Number	Description	Qty.
▽	9003347	(30000000- 40000000 )	Kit, Charger, Off- Board, 120vac, 24vdc	1
▲▽	1 1073638	(30000000- 40000000 )	Charger, 24vdc 11a Var Vac 1ph 50/60hz	1
▲▲	2 605387	(30000000- 40000000 )	Connector, Anderson, 50a,Red W/O Contact	1
▲	3 1025642	(30000000- 40000000 )	Cord, Power, 16/3, 4.5 Meters, Blk [Us]	1
	3 989584	(30000000- 40000000 )	Power Cord With Plug, [125v12a]#4.5m (Japan)	1
▲	4 06922	(30000000- 40000000 )	Screw, Pan, M3 X 0.50 X 20, 4.8	2
▲	5 41578	(30000000- 40000000 )	Washer, Flat, #06, Ss	4
▲▽	6 1033362	(30000000- 40000000 )	Harness, Chrgr [T3e - Ss3]	1
▲▲	7 605387	(30000000- 40000000 )	Connector, Anderson, 50a,Red W/O Contact	1
▲	8 611005	(30000000- 40000000 )	Switch, Rlr, 16a, Micro	1
▲	9 579211	(30000000- 40000000 )	Nut, Hex, Lock, M3 X 0.50, Ss	2
▲	10 33932	(30000000- 40000000 )	Nut, Hex, Lock, M4 X 0.70, NI, Ss	2
▲	11 603331	(30000000- 40000000 )	Spacer, Plug, Chrgr	1
▲	12 1033197	(30000000- 40000000 )	Screw, Pan, M4x0.7x24, Phl, Ss [7985]	2

▽ ASSEMBLY

▲ INCLUDED IN ASSEMBLY

ON-BOARD BATTERY CHARGER GROUP, STANDARD & FaST MODEL





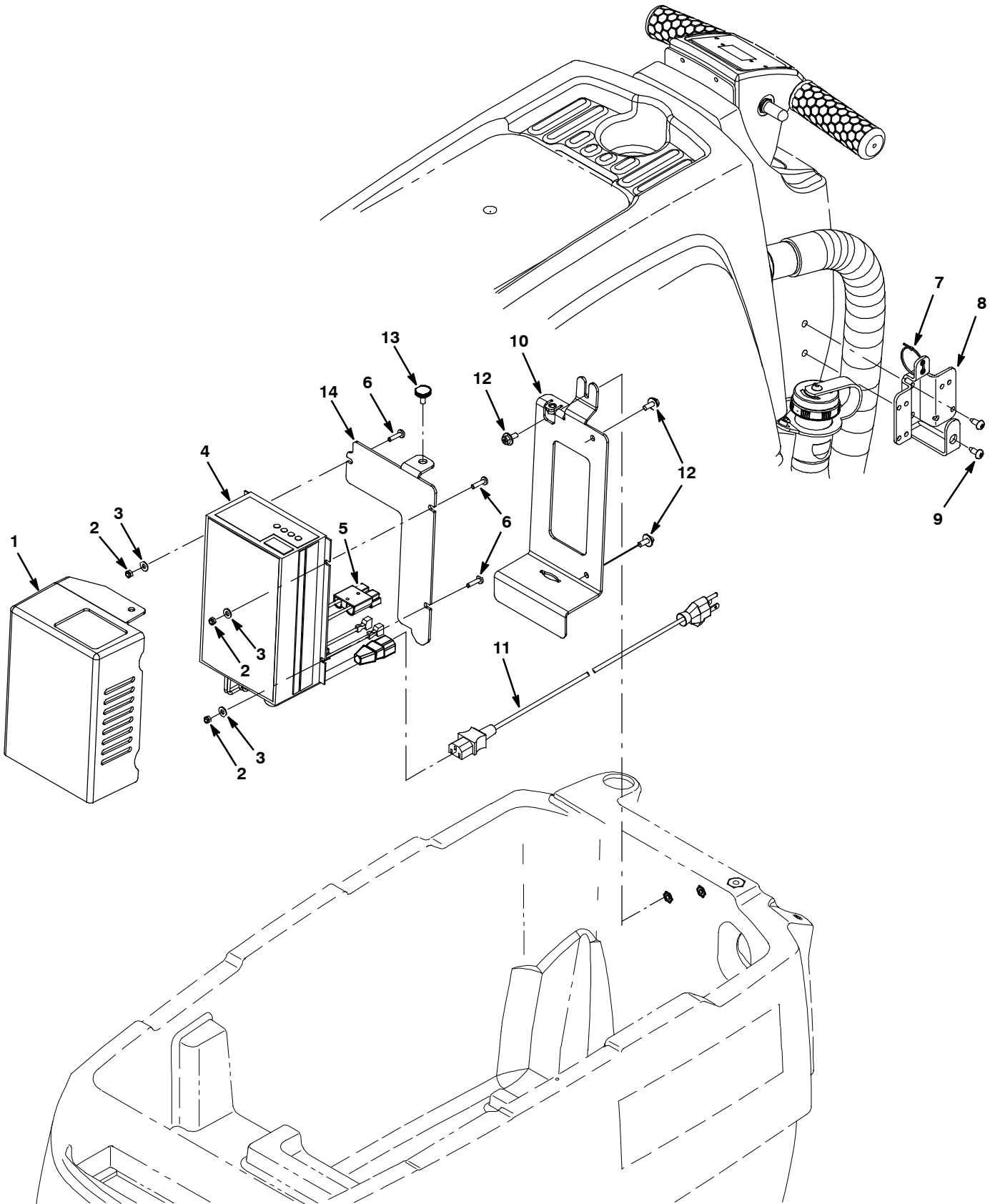
**ON-BOARD BATTERY CHARGER GROUP, STANDARD & FaST MODEL**

	<b>Ref.</b>	<b>Part No.</b>	<b>Serial Number</b>	<b>Description</b>	<b>Qty.</b>
▽		9007343	(30000000- 40000000 )	Charger Kit, On- Board [T3e/Ss3]	1
▲▽	1	1073625	(30000000- 40000000 )	Charger, 24vdc 11a 100/240vac 50/60hz	1
▲▲	2	605387	(30000000- 40000000 )	Connector, Anderson, 50a,Red W/O Contact	1
▲	3	01683	(30000000- 40000000 )	Washer, Flat, 0.22b 0.50d .05, Ss [#10]	4
▲	4	09739	(30000000- 40000000 )	Nut, Hex, Lock, M5 X 0.80, NI, Ss	4
▲	5	06934	(30000000- 40000000 )	Screw, Pan, Phl, M5 X 0.80 X 20, 4.8	4
▲	6	1040600	(30000000- 40000000 )	Cover, Charger [Ss3]	1
▲	7	130773	(30000000- 40000000 )	Tie, Cable, Nyl, 11.0l, .14w, 3.0 Max. D	6
▲	8	1061192	(30000000- 40000000 )	Retainer,Cord, Charger [Ss3/T3e]	1
▲	9	1009324	(30000000- 40000000 )	Screw, Pan, Phl, 10- 16 X 0.50,Blk[Typ17]	2
▲	N/S	1045989	(30000000- 40000000 )	Harness, Chrgr [Onboard, T3e/Ss3 Ec- H2o]	1
	10	1025642	(30000000- 40000000 )	Cord, Power, 16/3, 4.5 Meters, Blk [Us]	1
	10	989584	(30000000- 40000000 )	Power Cord With Plug, [125v12a]#4.5m (Japan)	1
	10	1026330	(30000000- 40000000 )	Cord, Power, 1.0mm2 X 2.5 Meters [ China]	1
	10	1026325	(30000000- 40000000 )	Cord, Power, 1.0mm2 X 2.5 Meters [Aus]	1
	10	1032849	(30000000- 40000000 )	Cord, Power, 4.5 Meter, Blk [Ce]	1

▽ ASSEMBLY

▲ INCLUDED IN ASSEMBLY

ON-BOARD BATTERY CHARGER GROUP, ec-H2O MODEL



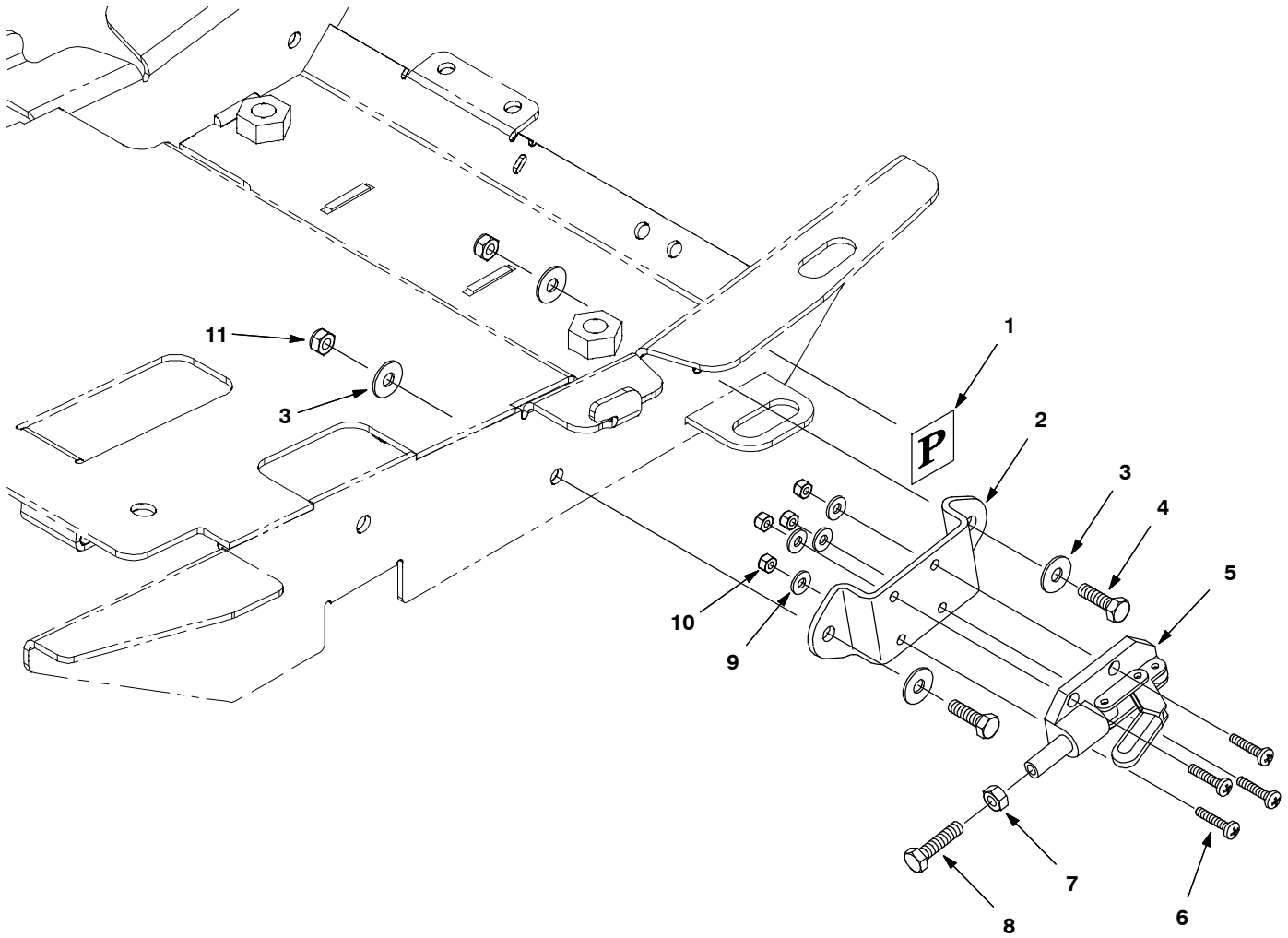
**ON-BOARD BATTERY CHARGER GROUP, ec-H2O MODEL**

	<b>Ref.</b>	<b>Part No.</b>	<b>Serial Number</b>	<b>Description</b>	<b>Qty.</b>
▽		9007344	(30000000- 40000000 )	Charger Kit [On- Board, T3e/Ss3 Ec- H2o]	1
▲	1	1045985	(30000000- 40000000 )	Cover, Chrgr [T2 Ec- H2o Concept]	1
▲	2	09739	(30000000- 40000000 )	Nut, Hex, Lock, M5 X 0.80, NI, Ss	3
▲	3	01683	(30000000- 40000000 )	Washer, Flat, 10, Ss	3
▲▽	4	1073625	(30000000- 40000000 )	Charger, 24vdc 11a 100/240vac 50/60hz	1
▲▲	5	605387	(30000000- 40000000 )	Connector, Anderson, 50a,Red W/O Contact	1
▲	6	06934	(30000000- 40000000 )	Screw, Pan, Phl, M5 X 0.80 X 20, 4.8	3
▲	7	130773	(30000000- 40000000 )	Tie, Cable, Nyl, 11.0l, .14w, 3.0 Max. D	6
▲	8	1061192	(30000000- 40000000 )	Retainer,Cord, Charger [Ss3/T3e]	1
▲	9	1009324	(30000000- 40000000 )	Screw, Pan, Phl, 10- 16 X 0.50,Blk[Typ17]	2
▲	N/S	1045989	(30000000- 40000000 )	Harness, Chrgr [Onboard, T3e/Ss3 Ec- H2o]	1
	10	1045961	(30000000- 40000000 )	Brkt, Mntg, Echo, Chrgr [Ss3/T3e]	1
	11	1025642	(30000000- 40000000 )	Cord, Power, 16/3, 4.5 Meters, Blk [Us]	1
	11	989584	(30000000- 40000000 )	Power Cord With Plug, [125v12a]#4.5m (Japan)	1
	11	1026330	(30000000- 40000000 )	Cord, Power, 1.0mm2 X 2.5 Meters [ China]	1
	11	1026325	(30000000- 40000000 )	Cord, Power, 1.0mm2 X 2.5 Meters [Aus]	1
	11	1032849	(30000000- 40000000 )	Cord, Power, 4.5 Meter, Blk [Ce]	1
	12	1034731	(30000000- 40000000 )	Screw, Hex, M6 X 1.00 X 16, Ss, Sems	3
	13	1046631	(30000000- 40000000 )	Knob,Rnd,19mmod,M6x20,Stud,Plstc,Pl	1
	14	1045966	(30000000- 40000000 )	Brkt, Mntg, Chrgr [Ss3] W/Echo	1

▽ ASSEMBLY

▲ INCLUDED IN ASSEMBLY

PARKING BRAKE GROUP

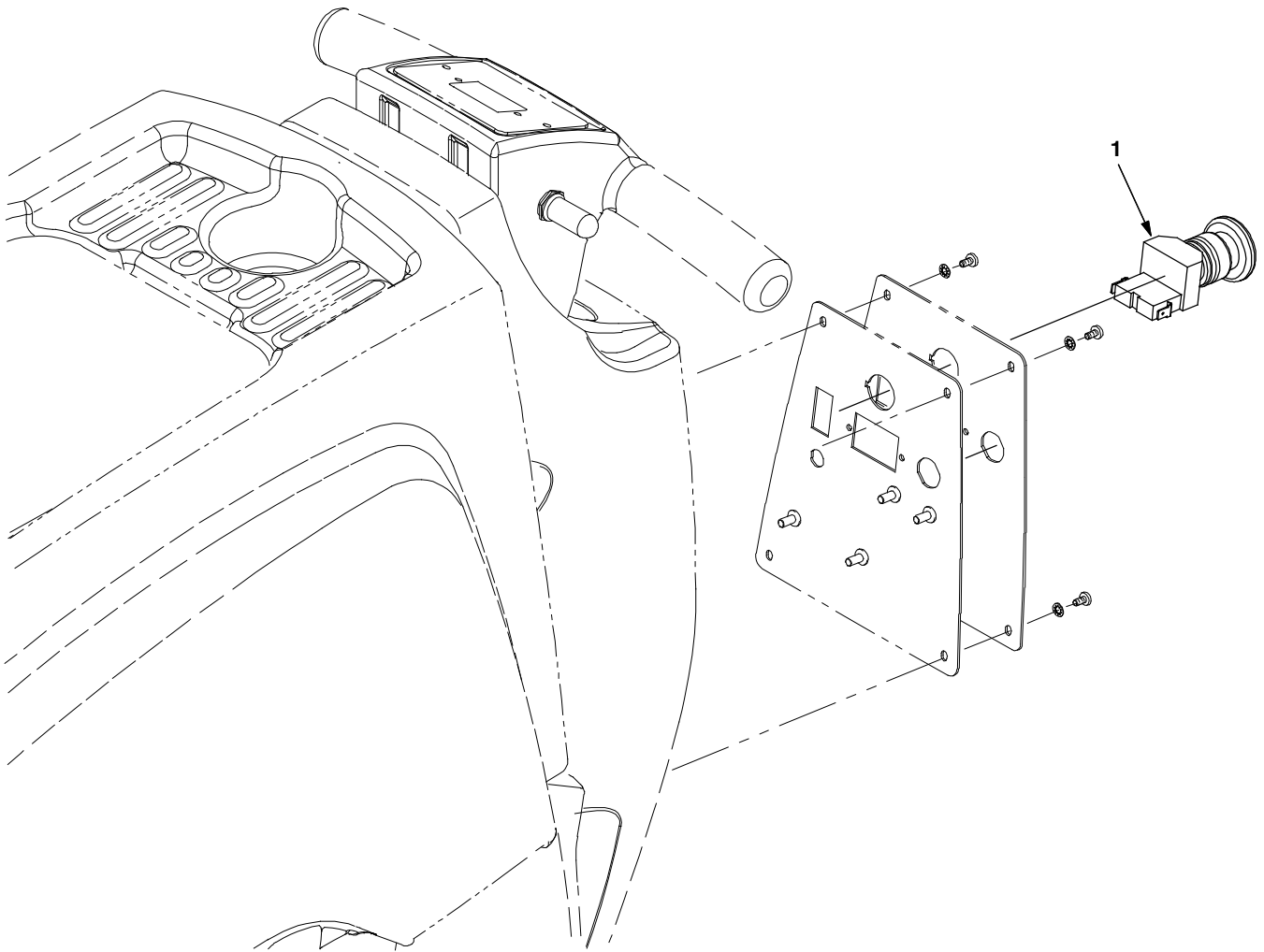


Ref.	Part No.	Serial Number	Description	Qty.
▽	9003351	(30000000- 40000000 )	Kit, Parking Brake	1
▲	1 600624	(30000000- 40000000 )	Label, Parking Brake, Symbol	1
▲	2 1013840	(30000000- 40000000 )	Bracket, Brake, Frame	1
▲	3 01684	(30000000- 40000000 )	Washer, Flat, 0.27b 0.69d .05, Ss	4
▲	4 08716	(30000000- 40000000 )	Screw, Hex, M6 X 1.0 X 20, Ss	2
▲	5 1013718	(30000000- 40000000 )	Clamp, Brake, Parking	1
▲	6 12323	(30000000- 40000000 )	Screw, Pan, M4 X 0.7 X 20, Ss	4
▲	7 07785	(30000000- 40000000 )	Nut, Hex, Std, M6 X 1.00, A2, Ss	1
▲	8 09007	(30000000- 40000000 )	Screw, Hex, M6 X 1.00 X 25, Ss	1
▲	9 41579	(30000000- 40000000 )	Washer, Flat, #08, Ss	4
▲	10 33932	(30000000- 40000000 )	Nut, Hex, Lock, M4 X 0.70, NI, Ss	4
▲	11 08712	(30000000- 40000000 )	Nut, Hex, Lock, M6 X 1.00, Ss, NI	2

▽ ASSEMBLY

▲ INCLUDED IN ASSEMBLY

EMERGENCY STOP BUTTON GROUP

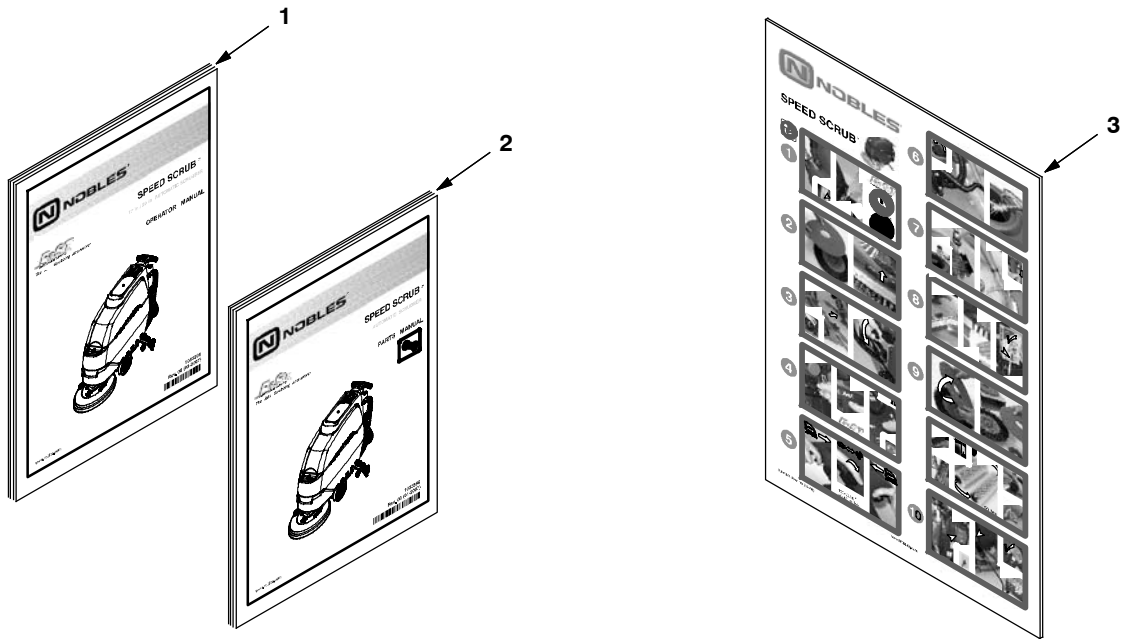


	Ref.	Part No.	Serial Number	Description	Qty.
▽		9003350	(30000000- 40000000 )	Kit, E- Stop	1
▲	1	1011735	(30000000- 40000000 )	Switch, Safety, Shutoff	1

▽ ASSEMBLY

▲ INCLUDED IN ASSEMBLY

DOCUMENTATION GROUP



Ref.	Part No.	Serial Number	Description	Qty.
1	1033583	(30000000- 40000000 )	Manual, Oprtr, En [Ss3] English	1
1	1033584	(30000000- 40000000 )	Manual, Oprtr, Es [Ss3] Spanish	1
1	1033585	(30000000- 40000000 )	Manual, Oprtr, Fr [Ss3] French	1
2	9012799	(30000000- 40000000 )	Manual, Parts [Ss3]	1
3	1033587	(30000000- 40000000 )	Instr, Use & Care, Txtls [Ss3]	1



To view, print, order, download the latest Parts manual, other language Operator manuals, and Use and Care Guides (wall charts), visit:

[www.nobles.com/manual](http://www.nobles.com/manual)

