



# Speed Scrub<sup>®</sup> 2701/3301



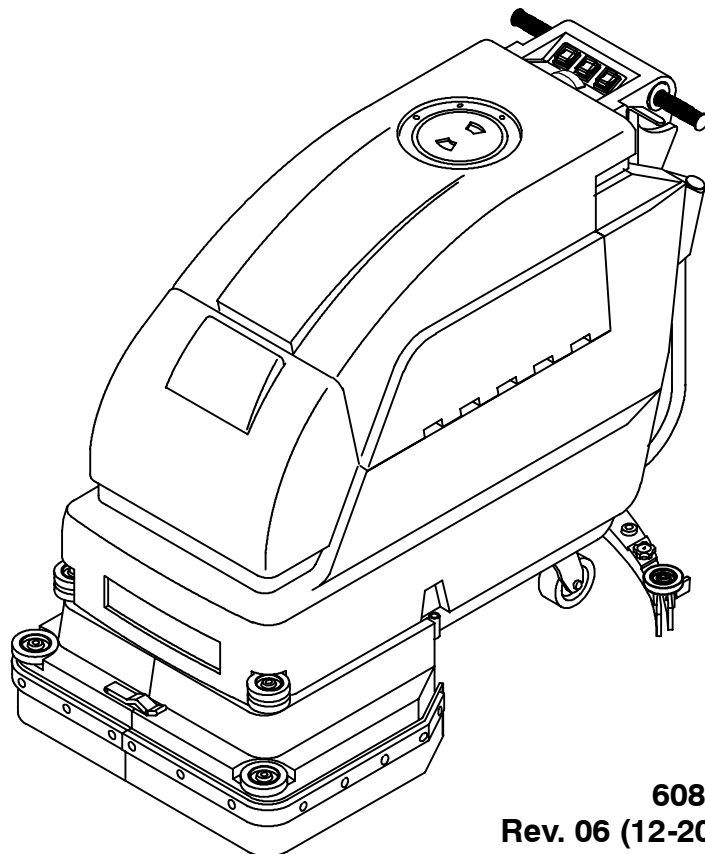
*Foam Scrubbing Technology*  
**The Safe Scrubbing Alternative<sup>®</sup>**  
*Quick-Train<sup>™</sup> Controls*

**Automatic Floor Scrubber**  
**Fregadora Automática**  
**Balayeuse Automatique**

**Model No.:**

- 608695 - 2701
- 608696 - 2701 Quick Ship Pack
- 609239 - 2701 Can. Pac
- 614163 - 2701 FaST
- 608275 - 3301
- 608276 - 3301 Quick Ship Pack
- 609238 - 3301 Can. Pac
- 614164 - 3301 FaST

**Operator and Parts Manual**  
**Manual del Operador y Piezas**  
**Opérateur Manuel et Liste Des Pièces**



608290

Rev. 06 (12-2006)



# OPERATION

---

This manual is furnished with each new model. It provides necessary operation and maintenance instructions and an illustrated parts list.

**Read this manual completely and understand the machine before operating or servicing it.**

Use the illustrated Parts Lists to order parts. Before ordering parts or supplies, be sure to have your machine model number and serial number handy. Parts and supplies may be ordered by phone or mail from any authorized parts and service center, distributor or from any of the manufacturer's subsidiaries.

This machine will provide excellent service. However, the best results will be obtained at minimum costs if:

- The machine is operated with reasonable care.
- The machine is maintained regularly - per the machine care instructions provided.
- The machine is maintained with manufacturer supplied or equivalent parts.

---

## MACHINE DATA

---

Please fill out at time of installation for future reference.

Model No.- \_\_\_\_\_

Install. Date - \_\_\_\_\_

Serial No.- \_\_\_\_\_



### PROTECT THE ENVIRONMENT

Please dispose of packaging materials, old machine components such as batteries, hazardous fluids such as antifreeze and oil, in a safe environmentally way according to your local waste disposal regulations.



Always remember to recycle.

### Tennant Company

PO Box 1452

Minneapolis, MN 55440

Phone: (800) 553-8033 or (763) 513-2850

[www.nobles.com](http://www.nobles.com)

Nobles, the Nobles logo, the Speed Scrub logo, the FaST Foam Scrubbing Technology logo, and the "The safe scrubbing alternative" tag line are registered United States trademarks of Tennant Company.

Specifications and parts are subject to change without notice.

Copyright ©1999, 2000, 2001, 2004, 2005, 2006 Tennant Company.  
All rights reserved. Printed in U.S.A.

<b>TABLE OF CONTENTS</b>	<b>(ESPAÑOL....23)</b>	<b>(FRANÇAIS....47)</b>	
<b>SAFETY PRECAUTIONS</b> .....	<b>4</b>	<b>STORING MACHINE</b> .....	<b>19</b>
<b>SAFETY LABELS</b> .....	<b>5</b>	<b>RECOMMENDED STOCK ITEMS</b> .....	<b>19</b>
<b>MACHINE COMPONENTS</b> .....	<b>6</b>	<b>TROUBLE SHOOTING</b> .....	<b>20</b>
<b>MACHINE INSTALLATION</b> .....	<b>7</b>	<b>SPECIFICATIONS</b> .....	<b>22</b>
UNCRATING MACHINE .....	7	<b>ELECTRICAL DIAGRAM</b> .....	<b>71</b>
INSTALLING BATTERIES .....	7	<b>PARTS LIST</b> .....	<b>72</b>
<b>MACHINE SETUP</b> .....	<b>8</b>	REPLACEMENT BRUSHES AND PAD	
ATTACHING SQUEEGEE ASSEMBLY .....	8	DRIVER GROUP .....	72
INSTALLING BRUSH OR PAD DRIVERS ...	8	RECOVERY TANK GROUP .....	74
INSTALLING FaST-PAK AGENT		CHASSIS GROUP .....	76
(FaST MODEL) .....	9	CONTROL CONSOLE GROUP .....	78
FILLING SOLUTION TANK .....	10	CONTROL CONSOLE GROUP -	
<b>MACHINE OPERATION</b> .....	<b>11</b>	FaST MODEL .....	80
PRE-OPERATION CHECKS .....	11	LEVER GROUP .....	82
OPERATING THE MACHINE .....	11	ELECTRICAL PANEL GROUP .....	84
OPERATING FaST SCRUB SYSTEM		ELECTRICAL PANEL GROUP -	
(FaST MODEL) .....	12	FaST MODEL .....	86
WHILE OPERATING MACHINE .....	13	DRIVE WHEEL GROUP .....	88
CIRCUIT BREAKERS .....	13	BRUSH DRIVE AND SOLUTION	
<b>DRAINING TANKS</b> .....	<b>14</b>	HOSE GROUP .....	90
DRAINING RECOVERY TANK .....	14	SOLUTION GROUP - FaST MODEL .....	92
DRAINING SOLUTION TANK .....	14	SKIRT GROUP - 2701 MODEL .....	94
<b>CHARGING BATTERIES</b> .....	<b>14</b>	SKIRT GROUP - 3301 MODEL .....	95
<b>MACHINE MAINTENANCE</b> .....	<b>16</b>	SQUEEGEE CONTROL GROUP .....	96
DAILY MAINTENANCE .....	16	SQUEEGEE ASSEMBLY GROUP -	
MONTHLY MAINTENANCE .....	16	2701 MODEL .....	98
QUARTERLY MAINTENANCE .....	17	SQUEEGEE ASSEMBLY GROUP -	
ANNUAL MAINTENANCE .....	17	3301 MODEL .....	100
BATTERY MAINTENANCE .....	17	FaST SOLUTION PUMP BREAKDOWN ....	102
DRIVE CHAIN MAINTENANCE .....	18	FaST AIR PUMP BREAKDOWN .....	102
<b>TRANSPORTING MACHINE</b> .....	<b>19</b>	<b>OPTIONS</b> .....	<b>103</b>
		SQUEEGEE WAND ASSEMBLY .....	103
		ES (EXTENDED SCRUB)	
		SOLUTION GROUP .....	80

# OPERATION

---

---


## SAFETY PRECAUTIONS

---

This machine is intended for commercial use. It is designed exclusively to scrub hard floors in an indoor environment and is not constructed for any other use. Use only recommended pads, brushes and commercially available floor cleaners intended for machine application.

All operators must read, understand and practice the following safety precautions.

The following warning alert symbol and the "FOR SAFETY" heading are used throughout this manual as indicated in their description:

 **WARNING:** To warn of hazards or unsafe practices which could result in severe personal injury or death.

**FOR SAFETY:** To identify actions which must be followed for safe operation of equipment.

---

Failure to follow these warnings may result in personal injury, electrical shock, fire or explosion.

 **WARNING:** Fire Or Explosion Hazard:

- **Never Use Flammable Liquids Or Operate Machine in Or Near Flammable Liquids, Vapors Or Combustible Dusts.**

*This machine is not equipped with explosion proof motors. The electric motors will spark upon start up and during operation which could cause a flash fire or explosion if machine is used in an area where flammable vapors/liquids or combustible dusts are present.*

- **Do Not Pick Up Flammable Materials Or Reactive Metals.**
- **Batteries Emit Hydrogen Gas. Keep Sparks And Open Flame Away. Keep Battery Compartment Open When Charging.**

 **WARNING:** Electrical Hazard. Disconnect Battery Cables Before Servicing Machine.

---

The following information signals potentially dangerous conditions to the operator or equipment:

### FOR SAFETY:

1. **Do not operate machine:**
  - With flammable liquids or near flammable vapors as an explosion or flash fire may occur.
  - Unless trained and authorized.
  - Unless operation manual is read and understood.
  - If not in proper operating condition.
2. **Before starting machine:**
  - Make sure all safety devices are in place and operate properly.
3. **When using machine:**
  - Go slow on inclines and slippery surfaces.
  - Wear no-slip shoes.
  - Reduce speed when turning.
  - Report machine damage or faulty operation immediately.
  - Never allow children to play on or around.
  - Follow mixing and handling instructions on chemical containers.
4. **Before leaving or servicing machine:**
  - Stop on level surface.
  - Turn off machine.
5. **When servicing machine:**
  - Avoid moving parts. Do not wear loose jackets, shirts, or sleeves.
  - Block machine tires before jacking up.
  - Use hoist or jack that will support the weight of the machine.
  - Disconnect battery connections before working on machine.
  - Wear protective gloves and eye protection when handling batteries or battery cables.
  - Avoid contact with battery acid.
  - Do not power spray or hose off machine. Electrical malfunction may occur.
  - Use manufacturer supplied or approved replacement parts.
  - All repairs must be performed by a qualified service person.
  - Do not modify the machine from its original design.

6. When transporting machine:





- Turn machine off.
- Get assistance when lifting machine.
- Do not lift machine when batteries are installed.

- Use a recommended ramp when loading/unloading into/off truck or trailer.
- Use tie-down straps to secure machine to truck or trailer.

**SAFETY LABELS**

The safety labels appear on the machine in the locations indicated. Replace labels if they are missing or become damaged or illegible.

**WARNING LABEL - LOCATED ON THE RECOVERY TANK.**

	<b>⚠ WARNING</b>	<b>⚠ AVERTISSEMENT</b>	<b>⚠ ADVERTENCIA</b>
   	<b>EXPLOSION, FIRE AND SHOCK HAZARD. AVOID INJURY.</b> <ul style="list-style-type: none"> <li>• Do Not Use or Pick Up Flammable Materials.</li> <li>• Do Not Use Near Flammable Liquids, Vapors or Combustible Dusts.</li> <li>• Keep Sparks and Open Flame Away When Charging Batteries. Keep Battery Hood Open When Charging.</li> <li>• Disconnect Battery Cables and Charger Cord Before Servicing.</li> </ul>	<b>RISQUE D'EXPLOSION, D'INCENDIE ET DE DÉCHARGE. ÉVITEZ LES BLESSURES.</b> <ul style="list-style-type: none"> <li>• N'utilisez Pas ou Ne Ramassez Pas de Matériaux Inflammables.</li> <li>• N'utilisez Pas Près de Liquides, Vapeurs ou Poussières Inflammables.</li> <li>• Éloignez les Sources d'Étincelles ou de Flamme Ouverte Lors du Chargement des Batteries. Laissez Ouvert le Capot du Compartiment des Batteries Lors de la Mise en Charge.</li> <li>• Débranchez les Câbles de Batterie et la Cordon du Chargeur Avant l'Entretien.</li> </ul>	<b>PELIGRO DE EXPLOSIÓN, FUEGO, DESCARGA EVITE LESIONES.</b> <ul style="list-style-type: none"> <li>• No Use Ó Recoja Materiales Flammables.</li> <li>• No Use Cerca De Líquidos Flammables, Vapores Ó Materiales Combustibles.</li> <li>• Mantenga Chispas Y Fuego Alejados Mientras Carga Baterías. Mantenga Tapa De Batería Abierta Mientras Carga.</li> <li>• Desconecte Cable De Batería Y Cable Del Cargador Antes Del Mantenimiento.</li> </ul>

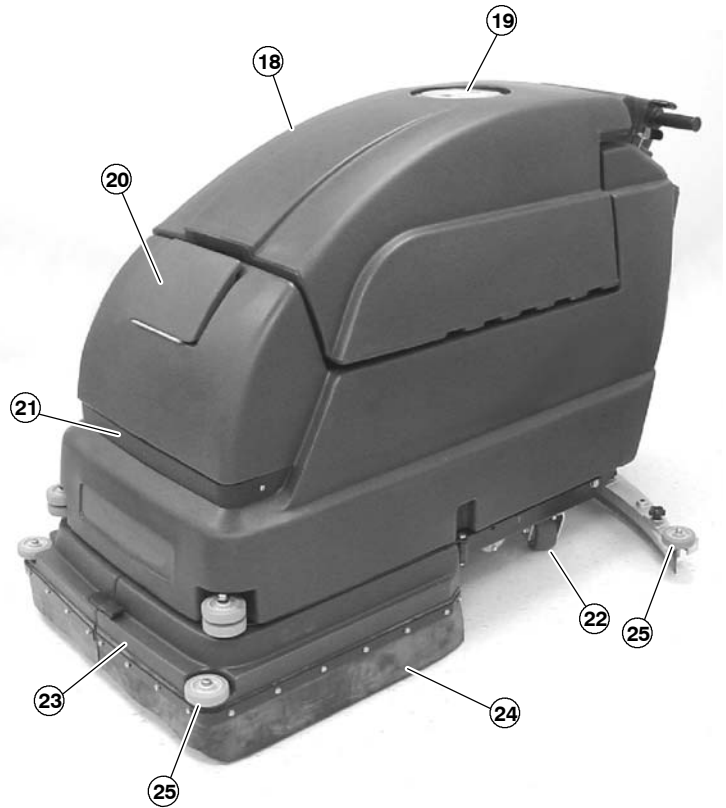
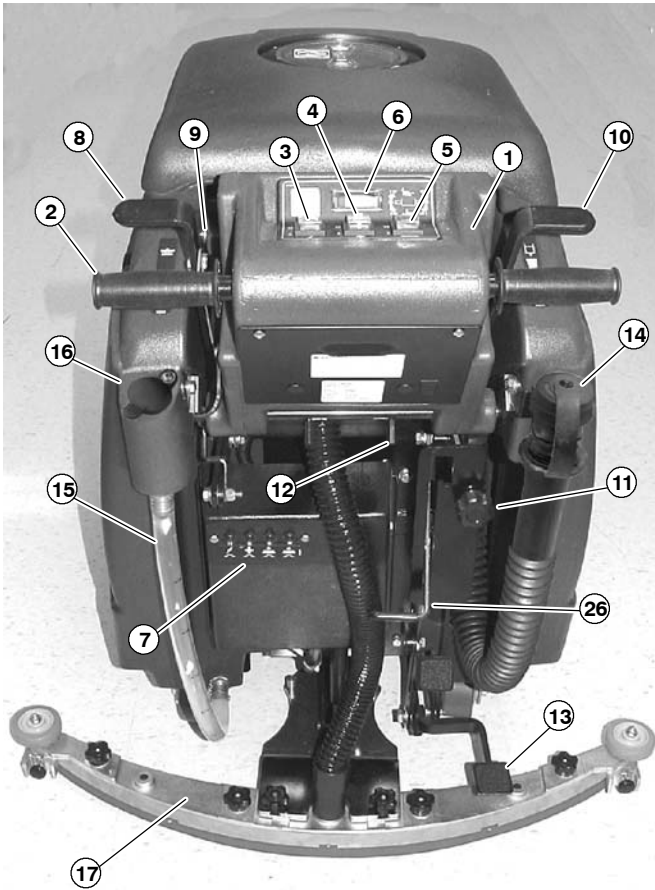


**BATTERY CHARGE LABEL - LOCATED IN BATTERY COMPARTMENT.**

**⚠ WARNING: Fire Or Explosion Hazard. Batteries Emit Hydrogen Gas. Keep Sparks And Open Flame Away. Keep Battery Compartment Open When Charging.**

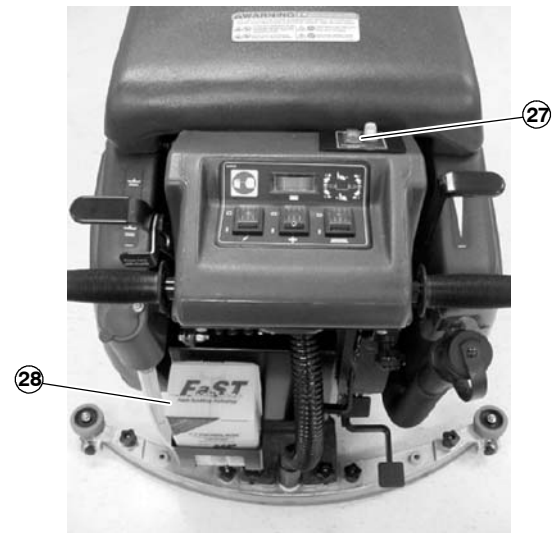
# OPERATION

## MACHINE COMPONENTS



1. Control Console
2. Control Grips
3. Main ON/OFF switch
4. Vacuum ON/OFF Switch
5. Brush ON/OFF Switch
6. Battery Meter
7. Circuit Breakers
8. Squeegee Lift Lever
9. Squeegee Release Lever
10. Solution Flow Lever
11. Solution Flow Adjustment Knob
12. Adjustable Control Console Levers
13. Scrub Head Lift Foot Pedal
14. Recovery Tank Drain Hose
15. Solution Tank Drain Hose with Gallon Markers
16. Rear Fill Port
17. Squeegee Assembly
18. Recovery Tank
19. Recovery Tank Lid
20. Solution Fill Door
21. Safety Lights
22. Rear Casters
23. Skirt Housing
24. Scrub Head Skirt

### FaST Model



25. Wall Rollers
26. Brush Pressure Lever
27. FaST Scrub/Conventional Scrub Switch (FaST Model)
28. FaST-PAK Dispensing System (FaST Model)

## MACHINE INSTALLATION

### UNCRATING MACHINE

1. Carefully check the shipping crate for signs of damage. Report damages at once to carrier.
2. Check the contents list. Contact distributor for missing items.

Contents:

- 4-6V Batteries - Optional
- 1-Battery Charger - Optional
- 1-Battery Plate (#100707)
- 3-Battery Cables (#130367)
- 1-FaST-PAK Concentrate (*FaST Model*)
- 1-Squeegee Assembly

*Pad drivers, brushes and pads must be purchased separately.*

3. To uncrate your machine, remove the shipping hardware and straps that secure the machine to the pallet. With assistance, carefully lift the machine off the pallet.

**ATTENTION: Do not roll machine off pallet unless a ramp is used, machine damage may occur.**

**ATTENTION: To prevent possible machine damage, install batteries after removing machine from shipping pallet.**

### INSTALLING BATTERIES

**⚠ WARNING: Fire Or Explosion Hazard. Batteries Emit Hydrogen Gas. Keep Sparks And Open Flame Away. Keep Battery Hood Open When Charging.**

**FOR SAFETY: When servicing machine, wear protective gloves and eye protection when handling batteries and battery cables. Avoid contact with battery acid.**

#### Battery Specifications:

Four 6 volt, deep cycle, 305 amp hour batteries. Part Number #606991. Maximum battery dimensions are 178mm (7 in.) W x 308mm (12.13 in.) L x 356mm (14 in.) H.

1. Turn all switches to the off position and pull out the main (10 amp) circuit breaker button as shown (Figure 1).

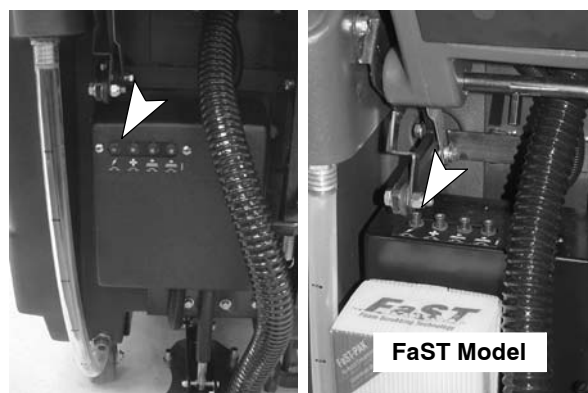


FIG. 1

**ATTENTION: To prevent motors from accidental starting, be certain to pull out the main circuit breaker button before installing batteries.**

2. Carefully hinge open recovery tank to access battery compartment. Remove loose battery cables from compartment (Figure 2).



FIG. 2

3. Carefully install batteries into compartment and arrange battery posts as shown (Figure 3).

**ATTENTION: Do not drop the batteries into the compartment, battery and machine housing damage may result.**

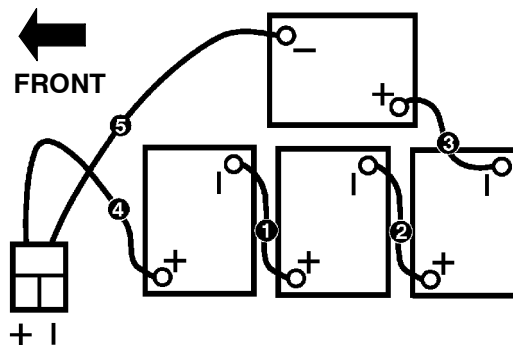


FIG. 3

4. Before connecting the battery cables, make sure the terminals and posts are clean. Use a post cleaner and wire brush if necessary.

# OPERATION

**NOTE:** Apply a light coating of non-metallic grease or protective spray on the cable connections to prevent battery corrosion.

5. Connect cables to battery posts in numerical order as labeled, RED TO POSITIVE & BLACK TO NEGATIVE (Figure 3).
6. Double check cable connections before closing up battery compartment.
7. Reset the main circuit breaker button.
8. Turn main switch on, and check battery meter charge level to ensure batteries are fully charged. If batteries need charging, see CHARGING BATTERIES.

## MACHINE SETUP

### ATTACHING SQUEEGEE ASSEMBLY

1. Turn main switch to the off position.

**FOR SAFETY: Before leaving or servicing machine, stop on level surface and turn off machine.**

2. Pull back on squeegee lift lever to raise squeegee mount bracket (Figure 4).

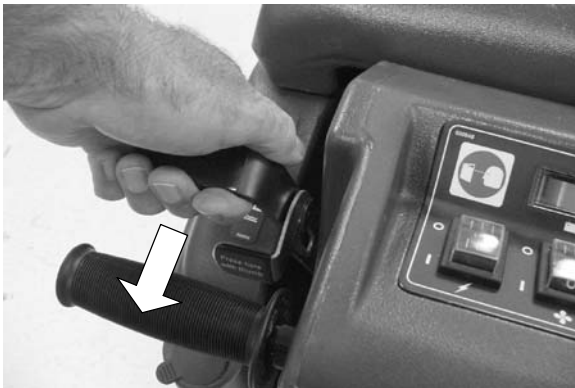


FIG. 4

3. Loosen two thumb knobs on squeegee and slide squeegee into slots at rear of squeegee mount bracket (Figure 5).

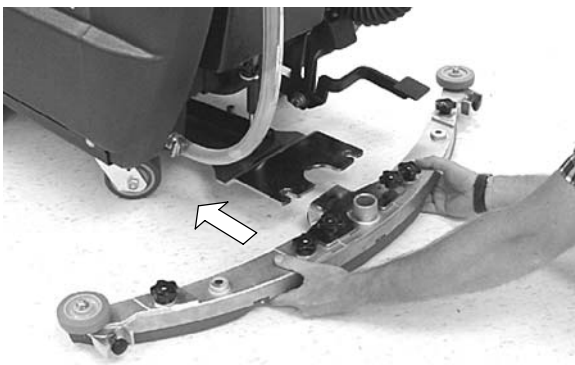


FIG. 5

4. Tighten thumb knobs securely.
5. Connect the vacuum hose from the machine to the squeegee assembly (Figure 6).

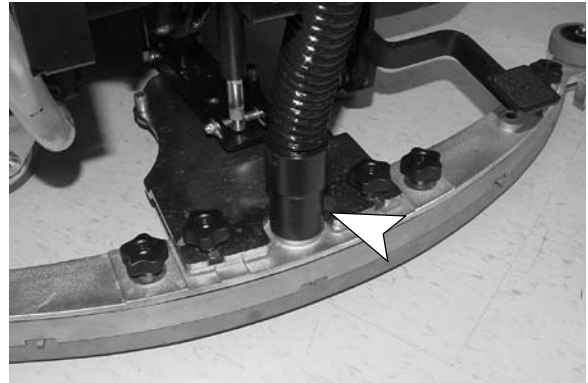


FIG. 6

### INSTALLING BRUSHES OR PAD DRIVERS

1. Turn main switch to the off position and pull out the main circuit breaker button.

**FOR SAFETY: Before leaving or servicing machine, stop on level surface and turn off machine.**

**ATTENTION: To prevent accidental starting, pull out the main circuit breaker button before installing brush or pad drivers. Circuit breaker button is located at rear of control housing.**

2. Raise scrub head. Step down firmly on bottom brush lift foot pedal to raise (Figure 7).

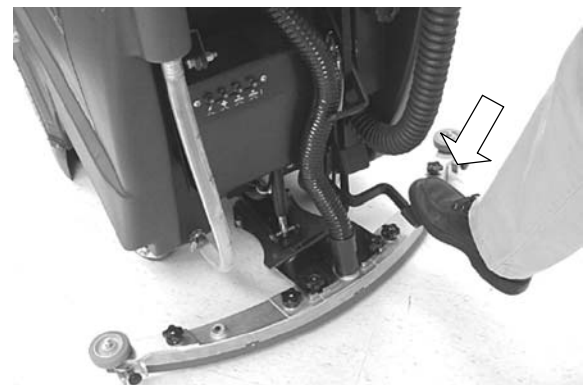


FIG. 7



- Unfasten black latch at front of machine and hinge open skirt housing to access motor hub (Figure 8).

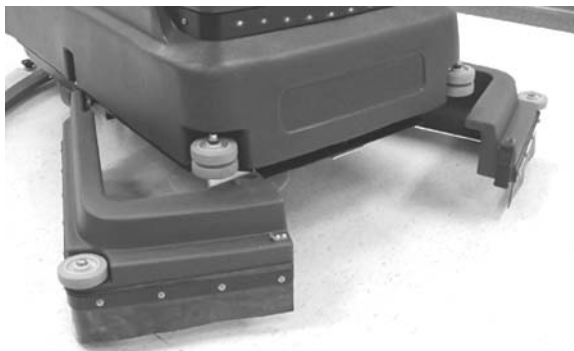


FIG. 8

- Select recommended pad or brush that best meets your cleaning needs.

**NOTE:** Consult your authorized distributor for pad and brush recommendations.

- (For Pad Installation)** Attach pads to pad drivers before connecting drivers to motor hub. To attach pad to driver, remove plastic centerlock ring from pad driver. Position pad on pad driver and replace centerlock ring (Figure 9).

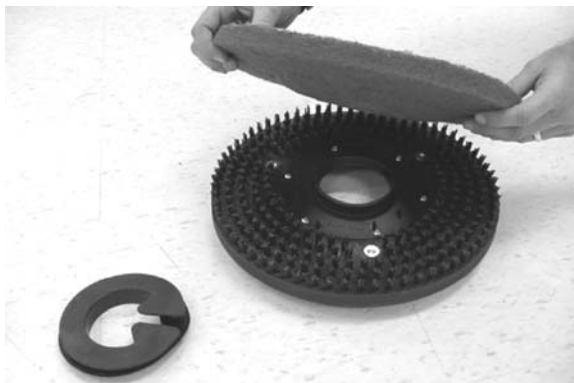


FIG. 9

- Attach brush/pad drivers to motor hubs. Align (3) mounting studs with slots in motor hub. Give driver a quick turn toward spring clip located on motor hub. Be certain pad driver is securely fastened and spring clip locks into one of the studs before operating machine (Figure 10).



FIG. 10

**NOTE:** Always make sure pad driver and motor hub surfaces are clean before installing drivers. Keeping surfaces clean will make it easier when removing pad drivers.

- Close skirt housing and refasten latch.

## INSTALLING FaST-PAK AGENT (FaST MODEL)

- Remove the perforated knock-out from the FaST-PAK carton. Do not remove the bag from the carton. Pull the hose connector through the knock-out and remove the orange cap (Figure 11).

**ATTENTION:** The FaST-PAK Concentrate Formula is specifically designed for the FaST system. NEVER use a substitute, machine damage will result.

**FOR SAFETY:** When using machine, always follow the handling instructions on chemical container.

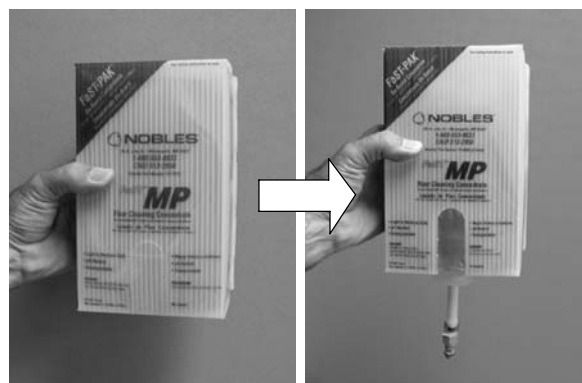


FIG. 11

- Place the FaST-PAK carton in the carton holder at the rear of the machine and connect the supply hose to the FaST-PAK bag (Figure 12).

**NOTE:** If any dried concentrate is visible on the supply hose connector or on the FaST-PAK connector, soak and clean with warm water.

# OPERATION



FIG. 12

3. Make sure to connect the supply hose onto the hose storing plug when not in use (Figure 13). This will prevent the FaST solution system from drying out and clogging up the supply hose.

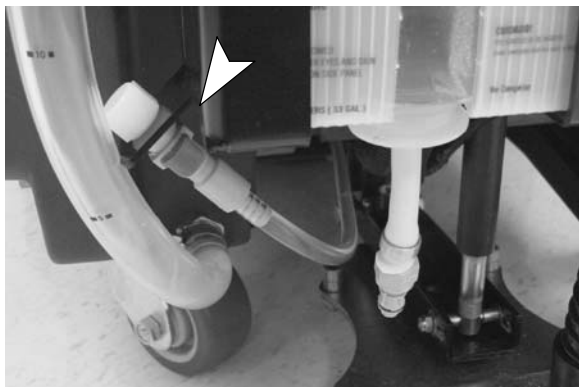


FIG. 13

4. The FaST solution system **MUST** be primed for first time use. To prime system, make sure the solution tank is empty and operate the machine in the FaST Scrub Mode for 3 minutes (See MACHINE OPERATION). ***This step is only required for first time FaST system use.***

## FILLING SOLUTION TANK

**ATTENTION: For Models equipped with the FaST Option. USE CLEAR COOL WATER ONLY. DO NOT add cleaning agents in solution tank. Conventional cleaning agents/restorers may cause failure to the FaST solution system.**

1. Transport machine to filling station. Raise squeegee and brush when transporting.
2. Turn off machine.

**FOR SAFETY: Before leaving or servicing machine, stop on level surface and turn off machine.**

3. Shut off solution flow. Pull solution flow lever completely back to shut off (Figure 14).



FIG. 14

4. Open solution fill door at front of machine and fill solution tank with clean water, 60°C (140°F) maximum temperature. Or you can fill solution tank using hose fill port at rear of machine. Pull off plug and insert hose to fill. The clear tube below the fill port has 19L (5 gallon) increment markers to indicate amount of water in tank (Figure 15).

**NOTE: The water must *not* be hotter than 60°C (140°F) or tank damage may occur.**



FIG. 15

**NOTE: If filling with a bucket be certain that bucket is clean. This will prevent possible solution line clogs.**

5. **FOR CONVENTIONAL SCRUBBING:** Pour a recommended cleaning detergent into the solution tank according to mixing instructions on the bottle.

**ATTENTION: For Conventional Scrubbing, only use recommended cleaning detergents. Machine damage due to improper detergent usage will void the manufacturer's warranty.**

**⚠ WARNING: Fire or Explosion Hazard. Never Use Flammable Liquids.**

**FOR SAFETY: When using machine, follow mixing and handling instructions on chemical containers.**

**MACHINE OPERATION**

**FOR SAFETY: Do not operate machine unless operator manual is read and understood.**

**⚠ WARNING: Fire or Explosion Hazard. Never Operate Machine In Or Near Flammable Liquids, Vapors Or Combustible Dusts.**

**PRE-OPERATION CHECKS**

1. Sweep and dust mop the floor.
2. Check battery meter charge level to ensure batteries are fully charged (See CHARGING BATTERIES).
3. Check that pads or brushes are installed.
4. Check that squeegee is installed.
5. FaST scrub mode: Make sure that the solution tank is filled with **clear cool water only**. All conventional cleaning agents/restorers must be drained and rinsed from solution tank. Check FaST-PAK agent level, replace carton as needed.

**OPERATING THE MACHINE**

**NOTE:** If your machine is equipped with the FaST Option, refer to page 11 for additional operation procedures.

1. Adjust control grips to a comfortable operating height (three settings). Squeeze two levers together, located under console, to raise and lower control grips (Figure 16).

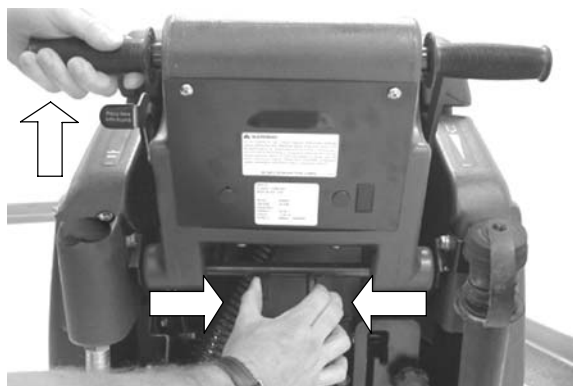


FIG. 16

2. Lower squeegee. Depress thumb lever on squeegee lift lever to lower (Figure 17).



FIG. 17

3. Lower scrub head. Depress top brush lift foot pedal forward to lower (Figure 18).

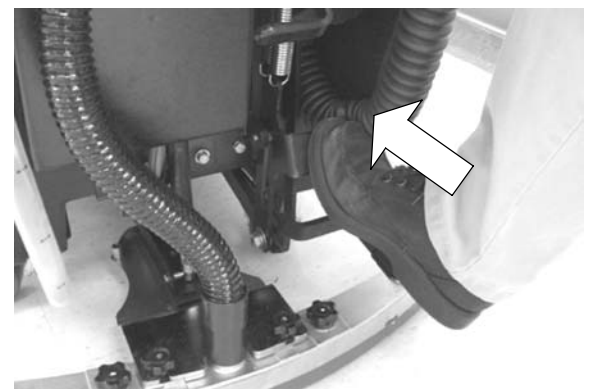


FIG. 18

4. Turn on the main, vacuum and brush switches.

**NOTE:** The brush motors will not start until control grips are rotated.

5. Activate solution flow (for conventional scrubbing only). Push solution flow lever slightly forward to activate. The further the lever is pushed forward the more solution will flow. Push completely forward for maximum flow. Solution will immediately begin to flow once lever is activated (Figure 19).



FIG. 19

# OPERATION

**NOTE:** To increase or decrease the maximum solution flow, turn solution flow adjustment knob (for conventional scrubbing only). Turn knob clockwise to decrease solution flow or counterclockwise to increase (Figure 20).

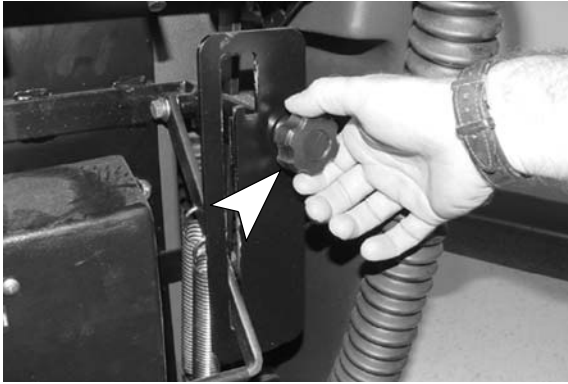


FIG. 20

6. Slowly rotate control grips forward to begin scrubbing. The machine will continue to gain speed the further you rotate grips. To drive machine in reverse, simply rotate control grips backwards.

**ATTENTION:** Always start machine out slowly to prevent machine from leaping forward.

7. View amount of solution flow on floor and adjust solution control lever to desired solution flow (for conventional scrubbing only).
8. To stop machine, release control grips.

## OPERATING FaST SCRUB SYSTEM (FaST MODEL)

How the FaST System operates (Foam Scrubbing Technology): The FaST-PAK concentrate agent is injected into the system with a mixture of a small amount water and compressed air. This mixture creates a large volume of expanded wet foam. The expanded foam mixture is then dispersed onto the floor while two scrubbing disks go to work. By the time the squeegee picks up the mixture, the patented foaming agent has collapsed and recovered into the recovery tank. By performing the FaST system application, you can increase your productivity rate by 30% by reducing your dump/fill cycle. You will also reduce your chemical usage and storage space. One FaST-PAK of concentrated agent allows you to scrub up to 1 million sq. ft.

1. Make sure that the FaST-PAK carton is properly installed (See INSTALLING FaST-PAK AGENT).

2. Make sure that the solution tank is filled with clear cool water only. DO NOT add conventional cleaning agents in solution tank. Conventional cleaning agents/restorers in the solution tank may result in premature FaST system failure.
3. Make sure that the main and brush switches are in the on position, and pull the solution flow lever all the way back (Figure 21).



FIG. 21

**NOTE:** The water flow rate from the solution tank is automatically regulated by the operation of the FaST system. The solution flow rate can not be adjusted by the Solution Control Adjustment Lever during the FaST Scrub mode.

4. Press the FaST Scrub/Conventional Scrub Switch toward the FaST Scrub mode position - switch light will come on (Figure 22).

**NOTE:** The solution flow lever must be in the pulled back position in order to activate the switch.



FIG. 22

**NOTE:** To scrub with clear water only, simply press the FaST Scrub/Conventional Scrub Switch toward the Conventional Scrub mode position. This allows you to operate the machine in a rinsing application.

5. Follow the standard MACHINE OPERATION instructions to begin scrubbing.

## WHILE OPERATING MACHINE

**FOR SAFETY:** When using machine, go slow on inclines and slippery surfaces.

**⚠ WARNING: Fire Or Explosion Hazard. Do Not Pick Up Flammable Materials Or Reactive Metals.**

1. Overlap each scrubbing path by 2 inches (5 cm).
2. Conventional scrubbing: Pour a recommended foam control solution into the recovery tank if excessive foam appears.

**ATTENTION: Do not allow foam or water to enter the float shut-off screen, vacuum motor damage will result. Foam will not activate the float shut-off screen.**

3. If more scrubbing pressure is needed for small heavily soiled areas, follow steps below:
  - a. Lower brush.
  - b. Lift brush pressure lever to the locked position (Figure 23).

**NOTE:** Brush **MUST** be down to allow brush pressure lever to be lifted to the locked position. Do not leave lever in the lock position when brushes are raised.



FIG. 23

4. If squeegee leaves streaks, raise and wipe blades with a cloth. Pre-sweep area to prevent streaking.
5. Before stopping or turning machine around, pull back on solution control lever to shut off solution flow (conventional scrubbing only).
6. During brief stops, you do not have to turn off brush switch, the brush will automatically stop when control grips are released.
7. While cleaning, view clear tube gallon marker for remaining cleaning solution. Each mark on hose indicates 19 liters (5 gal).
8. Periodically check battery meter discharge level. When needle drops to the red zone, recharge batteries.

**ATTENTION: Do not continue to run machine when battery meter needle is in the red zone, battery damage will result.**

9. When solution tank runs dry, turn off brush switch, shut off solution control lever and continue to vacuum until all dirty water is consumed. Then drain recovery tank (See DRAINING TANKS).

## CIRCUIT BREAKERS

The machine is equipped with (4) circuit breakers to protect motors from damage. If circuit breakers trip, they cannot be reset immediately. Determine reason why breaker tripped, allow motor to cool and then reset. Brush motor circuit breakers will trip due to excessive overload on pad. Clean or change pad if breaker should trip. Circuit breaker buttons are located at rear of machine as shown (Figure 24).

- 10A Main Circuit Breaker
- 35A Drive Motor/Vacuum Circuit Breaker
- 35A Brush Motor Circuit Breaker (2)
- 10A FaST System (FaST Model)

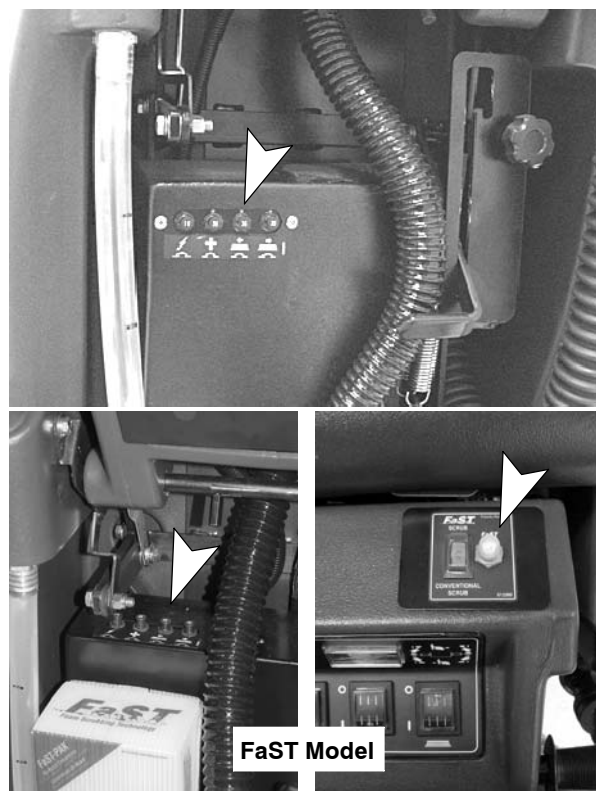


FIG. 24

**NOTE:** When servicing machine or when machine is left unattended, pull out the Main circuit breaker button. This will shut off all power to machine.

# OPERATION

---

---

## DRAINING TANKS

---

The recovery tank should be drained and cleaned out after every use. The solution tank should be cleaned out periodically to remove any corrosion.

Transport the machine to a draining site, turn the key off and follow the draining instructions below:

**FOR SAFETY: Before leaving or servicing machine, stop on level surface and turn off machine.**

---

### DRAINING RECOVERY TANK

1. Remove drain hose from holder, position hose over floor drain and twist off drain hose cap. To completely drain recovery tank, hinge open tank and flip up tank support stand to rest tank on (Figure 25).

**NOTE:** *If using a bucket to drain machine, do not use same bucket for filling solution tank. This will prevent possible solution line clogs.*



FIG. 25

2. Rinse out recovery tank after each use. This will prevent foul odor buildup. Use a hose to rinse out the recovery tank. Be careful not to spray water into shut-off float screen.

---

### DRAINING SOLUTION TANK

1. Pull clear hose off hose barb at rear of machine and drain solution into floor drain or bucket (Figure 26).

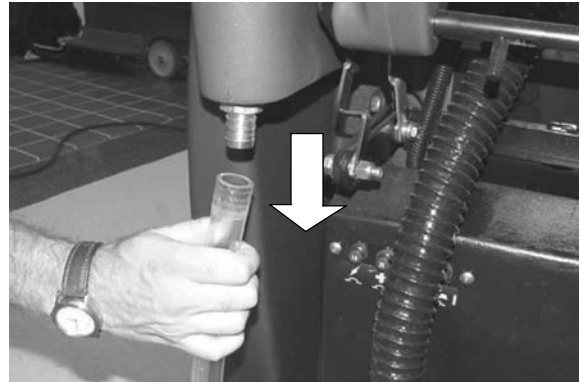


FIG. 26

2. Rinse out solution tank with clean water after each use and flush out solution flow system by pushing solution flow lever forward. This will prevent clogging due to chemical buildup. Use clear hose to drain solution tank.
3. Reconnect clear hose to hose barb. Be certain hose is completely pushed onto hose barb.

---

### CHARGING BATTERIES

---

**ATTENTION:** To prolong the life of the batteries and to provide optimum machine performance, **ONLY** recharge the batteries after a total of 30 minutes of use or more. Do not leave batteries discharged for lengthy periods.

The following charging instructions are intended for battery chargers supplied with the machine. Only use a battery charger with the following specifications to prevent battery damage.

#### BATTERY CHARGER SPECIFICATIONS:

- CHARGER TYPE: FOR LEAD ACID BATTERIES
- OUTPUT VOLTAGE - 24 VOLTS
- OUTPUT CURRENT - 25 AMPS
- AUTOMATIC SHUT-OFF CIRCUIT
- FOR DEEP CYCLE BATTERY CHARGING

1. Transport machine to a well ventilated area for charging.

**⚠ WARNING: Fire Or Explosion Hazard. Batteries Emit Hydrogen Gas. Keep Sparks And Open Flame Away. Keep Battery Compartment Open When Charging.**

- Before charging the batteries, check the electrolyte level in each battery cell (Figure 27).

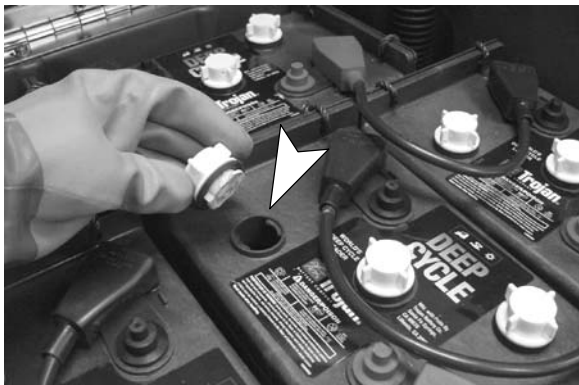


FIG. 27

**FOR SAFETY: When servicing machine, wear protective gloves and eye protection when handling batteries and battery cables. Avoid contact with battery acid.**

The electrolyte level (A) should slightly cover the battery plates (B). Add distilled water as needed. DO NOT OVERFILL, the fluid may expand and overflow while charging. Replace cell caps before charging (Figure 28).

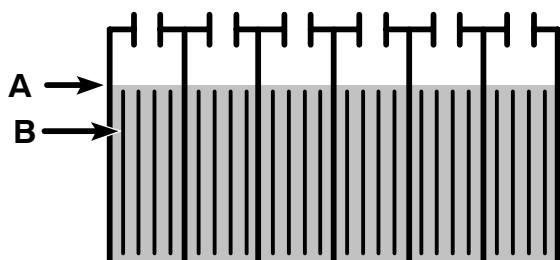


FIG. 28

- Connect the charger's AC power supply cord to a properly grounded receptacle (Figure 29).

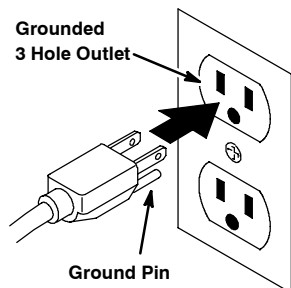


FIG. 29

- Plug charger's DC output connector to battery connector located near battery compartment (Figure 30).



FIG. 30

- The charger will automatically begin charging and shut off when fully charged.
- Rest the recovery tank on the support stand to promote ventilation during charging (Figure 31).

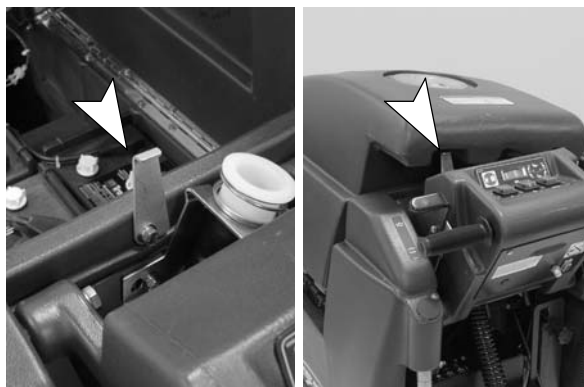


FIG. 31

**ATTENTION: Do not disconnect the charger's DC cord from the machine's receptacle when the charger is operating. Arcing may result. If the charger must be interrupted during charging, disconnect the AC power supply cord first.**

**⚠ WARNING: Fire Or Explosion Hazard. Batteries Emit Hydrogen Gas. Keep Sparks And Open Flame Away. Keep Battery Compartment Open When Charging.**

- Lead Acid Batteries: After charging, check the electrolyte level (A) again. The level should be approximately 1 cm from the bottom of the fill-port (B) (Figure 32). Add distilled water if needed. DO NOT OVERFILL.

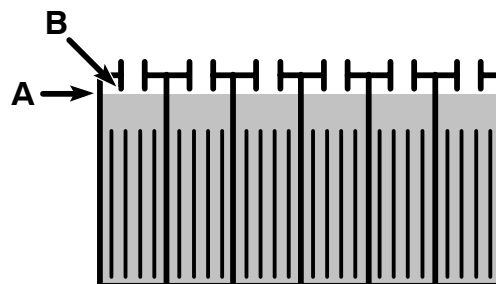


FIG. 32

# OPERATION

## MACHINE MAINTENANCE

To keep the machine in good working condition, simply follow the daily, monthly and quarterly maintenance procedures.

**⚠ WARNING: Electrical Hazard. Disconnect Battery Cables Before Servicing Machine.**

### DAILY MAINTENANCE (After Every Use)

1. Remove and clean pads or brushes. Never use soiled pads when cleaning. Replace pads when they become loaded with residue.
2. Remove and clean lint from float shut-off screen located in recovery tank (Figure 33).



FIG. 33

3. Drain and rinse tanks thoroughly. After draining tanks, hinge recovery tank until you can see vacuum intake hole at rear of tank. Remove any clogging debris in hole if necessary.
4. Raise squeegee and wipe it down with a dry cloth. Store squeegee in the up position to prevent squeegee damage.
5. Clean machine housing with a nonabrasive, non-solvent cleaner.

**FOR SAFETY: When cleaning machine, do not power spray or hose off machine. Electrical malfunction may occur.**

6. FaST Model: Connect the FaST-PAK supply hose to the storage plug when not in use (Figure 34). Remove any dried concentrate from the hose connector by soaking it in warm water.

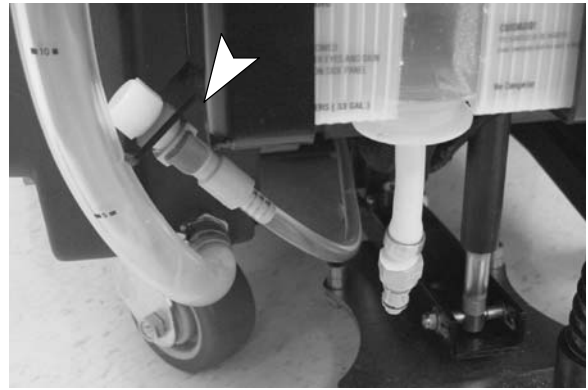


FIG. 34

7. Recharge the batteries after a total of 30 minutes of use or more (See CHARGING BATTERIES).

### MONTHLY MAINTENANCE (Every 80 Hours of Use)

1. Check water level in battery cells (See BATTERY MAINTENANCE).
2. Clean battery tops to prevent corrosion (See BATTERY MAINTENANCE).
3. Check for loose or corroded battery cables.
4. FaST Model: Open right side skirt housing, remove and rinse out inline strainer filter. Before removing filter, be certain solution tank is empty (Figure 35).

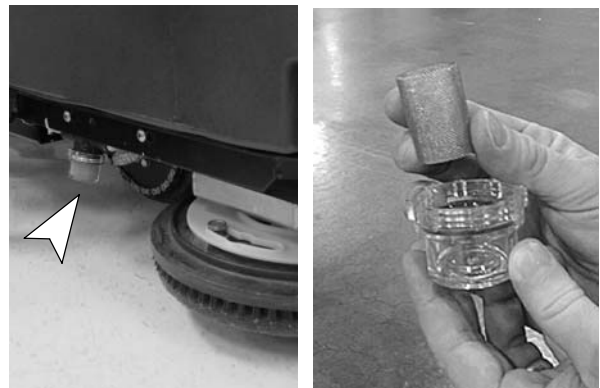


FIG. 35

5. Check drive chain for excess slack and lubricate with a water resistant grease. If chain needs tightening, see DRIVE CHAIN MAINTENANCE.
6. Lubricate axle and caster grease fittings with a water resistant grease.
7. Lubricate all linkage pivot points with silicone spray then coat with a water resistant grease to maintain a smooth operation.
8. Check machine for water leaks and loose nuts and bolts.



## QUARTERLY MAINTENANCE (Every 250 Hours of Use)

1. Inspect motors for carbon brush wear. Replace brushes when worn to a length of 10mm (0.38 in.) or less. Contact an Authorized Service Center for carbon brush inspection.

Contact an Authorized Service Center for motor maintenance.

2. FaST Model: Unscrew and remove the filter from the air pump, then clean out the filter using forced air. To access the air pump, remove the two mounting screws that attach the pump to the front of the machine (Figure 36).

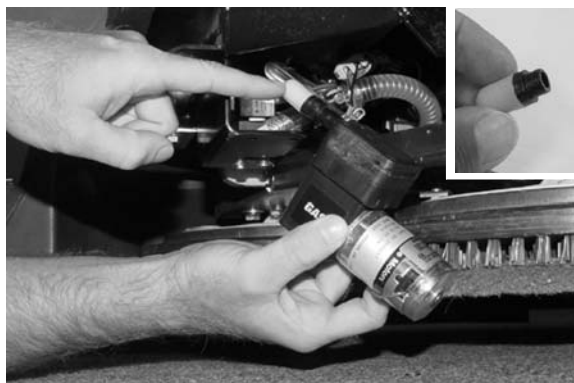


FIG. 36

## ANNUAL MAINTENANCE (Every 1000 hours of use)

### FaST Model Only:

Clean or replace the orifice plate and filter screen located inside the solution injector assembly.

1. To access the solution injector assembly, open the battery compartment. The injector assembly is connected to the solution pump (Figure 37).

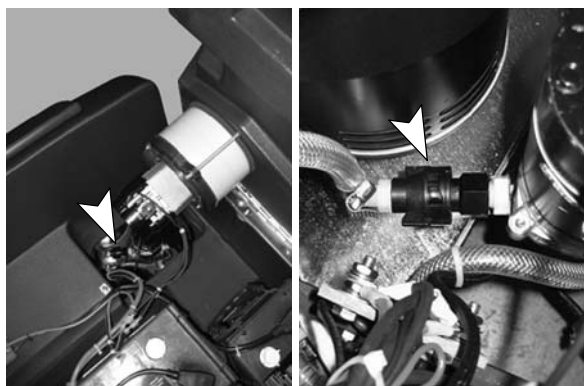


FIG. 37

2. Open the black filter housing and clean or replace the orifice plate and filter (Figure 38).



FIG. 38

## BATTERY MAINTENANCE

**⚠ WARNING: Fire Or Explosion Hazard. Batteries Emit Hydrogen Gas. Keep Sparks And Open Flame Away. Keep Battery Compartment Open When Charging.**

**FOR SAFETY: When servicing machine, wear protective gloves and eye protection when handling batteries and battery cables. Avoid contact with battery acid.**

1. Check the specific gravity using a hydrometer to determine the charge level and the condition of the batteries (Figure 39). If one or more of the battery cells read lower than the other battery cells (0.050 or more), the cell is damaged, shorted, or is about to fail. Check the hydrometer readings against the following chart to determine the remaining battery charge level.

**NOTE: Do not take readings immediately after adding distilled water. If the water and acid are not thoroughly mixed, the readings may not be accurate.**

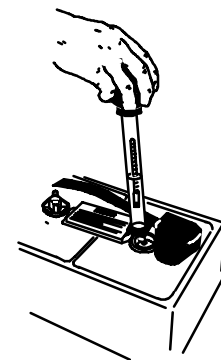


FIG. 39

# OPERATION

SPECIFIC GRAVITY at 27°C (80°F)	BATTERY CHARGE
1.265	100% CHARGED
1.223	75% CHARGED
1.185	50% CHARGED
1.148	25% CHARGED
1.110	DISCHARGED

**NOTE:** If the readings are taken when the battery electrolyte is any temperature other than 27°C (80°F), the reading must be temperature corrected. Add or subtract to the specific gravity reading 0.004, 4 points, for each 6°C (43°F) above or below 27°C (80°F).

- Always follow proper charging instructions (See CHARGING BATTERIES).
- Check the electrolyte level (A) in each battery cell **after charging batteries**. The level should be approximately 1 cm from the bottom of the fill-port (B). Add distilled water if needed (Figure 40). **DO NOT OVERFILL.**

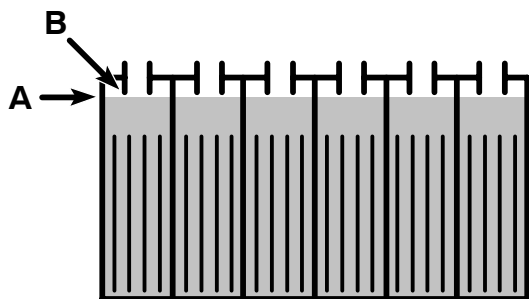


FIG. 40

- Keep the battery tops clean to prevent battery corrosion.

To clean batteries:

**FOR SAFETY: When servicing machine, wear protective gloves and eye protection when handling batteries and battery cables. Avoid contact with battery acid.**

- Mix a strong solution of baking soda and water (Figure 41).



FIG. 41

- Brush the solution sparingly over the battery tops and cable connectors.

**NOTE:** Do not allow baking soda solution to enter battery cells.

- Use a wire brush to clean the battery terminals and cable connectors.
  - After cleaning, apply a coating of clear battery post protectant to the terminals and cable connectors.
- Check for loose or worn cables. Replace if worn.

## DRIVE CHAIN MAINTENANCE

**FOR SAFETY: Before leaving or servicing machine, stop on level surface and turn off machine.**

Inspect drive chain for proper tension. Chain should flex between 6.35mm (0.25 in.) and 12.7mm (0.50 in.) from center. If chain flexes more than 12.7mm (0.50 in.), chain should be tightened. To tighten chain, follow steps below:

- Turn main switch to the off position and pull out the main circuit breaker button.
- From operators right side of machine, locate and loosen 4 motor mount bolts, do not remove bolts.
- Loosen locking nut on tension bolt (Figure 42).

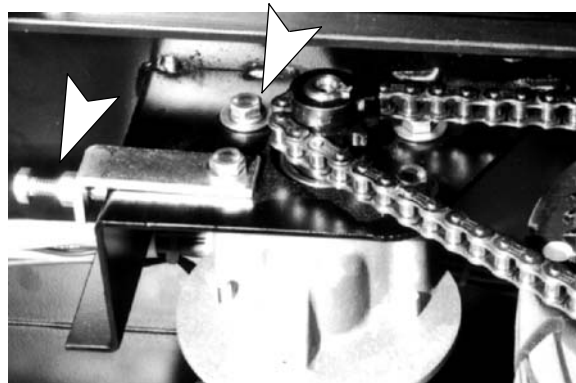


FIG. 42

- Turn tension bolt clockwise until chain is taut.
- Retighten locking nut and 4 motor mount screws.
- Lubricate chain with a water resistant oil.

## TRANSPORTING MACHINE

When transporting machine by use of trailer or truck, be certain to follow tie-down procedures below:

**FOR SAFETY: When using machine, go slow on inclines and slippery surfaces.**

1. Remove squeegee from machine and raise brush head. Leave pad or brush installed.
2. Load machine using a recommended loading ramp.
3. Position front of machine up against front of trailer or truck. Once machine is positioned, lower brush head.
4. Place a block behind the drive wheel and the rear casters.
5. Place tie-down straps over top of machine and secure straps to floor. It may be necessary to install tie-down brackets to the floor of your trailer or truck.

## STORING MACHINE

1. Before storing machine, be certain to flush tanks and drain machine of all water.
2. Store machine in a dry area with squeegee removed and pad driver in the raised position.
3. Remove recovery lid to promote air circulation.
4. When storing machine for short periods, raise pad driver and squeegee off floor to prevent damage.

**ATTENTION: If storing machine in freezing temperatures, be certain to drain machine of all water. Damage due to freezing temperatures is not covered by warranty.**

**ATTENTION: Do not expose machine to rain; store indoors.**

## RECOMMENDED STOCK ITEMS

Refer to the Parts List section for recommended stock items. Stock Items are clearly identified with a bullet preceding the parts description. See example below:

Ref.	Part No.	Description	Qty.
1	701100	ASSEMBLY, STANDPIPE	1
2	180613	● FLOAT, SHUTOFF	1
3	230197	NIPPLE	1
4	101714	● GASKET	1
5	210240	NUT, FLANGED	1

# OPERATION

## TROUBLE SHOOTING

PROBLEM	CAUSE	SOLUTION
No power, nothing runs.	Batteries need charging.	See CHARGING BATTERIES.
	Faulty battery(s).	Replace battery(s).
	Loose battery cable.	Tighten loose cable.
	Battery connection is improper.	See INSTALLING BATTERIES.
	Faulty Main switch	Contact Service Center.
	Main circuit breaker has tripped.	Determine cause and reset circuit breaker button.
Brush motor does not run.	Brush circuit breakers have tripped, or has been pulled out.	Clean or change to a less aggressive pad. Also, release brush pressure lever if it's in the up position. Reset breaker button.
	Control grips are not twisted.	Control grips must be twisted to activate brushes.
	Faulty brush motor or wiring.	Contact Service Center.
	Faulty brush switch.	Contact Service Center.
	Carbon brushes worn.	Contact Service Center.
	Faulty solenoid.	Contact Service Center.
Vacuum motor does not run.	Vacuum circuit breaker has tripped.	Remove obstruction and reset breaker.
	Faulty vacuum switch.	Contact Service Center.
	Faulty vacuum motor or wiring.	Contact Service Center.
	Faulty solenoid.	Contact Service Center.
	Carbon brushes worn.	Contact Service Center.
Short run time.	Batteries not fully charged.	Charge batteries.
	Bad cell in one or more batteries.	Replace battery.
	Batteries need maintenance.	See BATTERY MAINTENANCE.
	Faulty charger.	Replace battery charger.
Poor squeegee pick up.	Recovery tank is full.	Empty recovery tank.
	Ball float shutoff screen inside recovery tank is clogged.	Remove screen and clean.
	Squeegee is clogged with debris.	Clean squeegee.
	Squeegee blades are worn.	Replace squeegee blades.
	Squeegee thumbscrews are loose.	Tighten thumbscrews.
	Vacuum hose connections are loose or hose has a hole.	Push hose cuffs firmly on connections. Replace hose if damaged.
	Vacuum hose is clogged with debris.	Remove clogged debris.
	Recovery tank water inlet is plugged. Inlet is located at bottom of recovery tank.	Empty recovery tank and tilt it sideways to locate inlet hole, remove clogged debris.
	Tank gasket is defective.	Replace gasket.

**TROUBLE SHOOTING -continued**

<b>PROBLEM</b>	<b>CAUSE</b>	<b>SOLUTION</b>
Poor squeegee pick up - continued.	Drain hose plug is loose.	Tighten drain plug.
	Clear recovery tank lid is loose.	Tighten lid.
	Vacuum motor is loose.	Contact Service Center.
	Battery charge is low.	Charge batteries. Do not run machine when battery meter is in the red zone.
Drive motor does not run.	Main circuit breaker has tripped or is pulled.	Determine cause and reset breaker.
	Faulty Main switch.	Contact Service Center.
	Faulty speed control circuit board or connection.	Contact Service Center.
	Faulty solenoid.	Contact Service Center.
	Faulty wiring.	Contact Service Center.
	Faulty drive motor.	Contact Service Center.
	Worn carbon brushes.	Contact Service Center.
Drive motor runs, but not correctly.	Faulty potentiometer or speed control board.	Contact Service Center.
	Faulty resistor.	Contact Service Center.
Little or no solution flow.	Solution flow lever in not activated.	Push solution flow lever forward.
	Solution line or filter is clogged.	Remove hose and blow compressed air through it. Flush solution tank after each use.
	Solution valve is clogged.	Remove valve and clean. Do not scratch or damage inside of valve.
	Solution flow adjustment knob needs adjusting.	Turn solution flow knob clockwise to increase flow.
Safety lights do not work.	Flasher is burned out.	Contact Service Center.
FaST Model: FaST System does not operate or operate correctly.	Solution flow lever not pulled back.	Pull back solution flow lever.
	Scrub Mode switch is not selected on FaST Scrub.	Select FaST Scrub Mode.
	FaST circuit breaker has tripped.	Determine cause and reset the 10A circuit breaker button.
	Clogged FaST-PAK supply hose and/or connectors.	Soak connector and hose in warm water and clean.
	FaST-PAK carton is empty or not connected.	Replace FaST-PAK carton and/or connect supply hose.
	Clogged orifice/filter screen.	Replace orifice/filter screen (see Annual Maintenance).
	Faulty scrub mode switch.	Contact Service Center.
	Faulty pump or air compressor.	Contact Service Center.
	Clogged solution tank filter.	Drain solution tank. Remove solution tank filter, clean and reinstall.

# OPERATION

## SPECIFICATIONS

MODEL	SPEED SCRUB 2701	SPEED SCRUB 3301
LENGTH	1500 mm (59 in.)	1500 mm (59 in.)
WIDTH	740 mm (29 in.)	890 mm (35 in.)
HEIGHT	1040 mm (41 in.)	1040 mm (41 in.)
WEIGHT - WITH BATTERIES	352kg (760 lbs)	355kg (765 lbs)
TANKS CAPACITY	102L (27 Gal)	102L (27 Gal)
SPEED CONTROL	VARIABLE FWD/REV	VARIABLE FWD/REV
CLEANING SPEED (MAX.)	2787 sq. m. (30,000 sq. ft.)/hr.	3251 sq. m. (35,000 sq. ft.)/hr.
CLEANING PATH WIDTH	680 mm (27 in.)	830 mm (33 in.)
PAD DIAMETER	2 - 355 mm (14 in.)	2 - 430 mm (17 in.)
SQUEEGEE WIDTH	965 mm (38 in.)	1067 mm (42 in.)
DRIVE MOTOR	.5 h.p., 0-1800 rpm, 24V, 10A	.5 h.p., 0-1800 rpm, 24V, 10A
BRUSH MOTOR	2 - .75 h.p., 220 rpm, 24V, 20A, 550W	2 - .75 h.p., 220 rpm, 24V, 20A, 550W
VACUUM MOTOR	.75 h.p., 3-stage 5.7", 24V, 21A, 550W	.75 h.p., 3-stage 5.7", 24V, 21A, 550W
WATER LIFT	1720 mm (68 in.)	1720 mm (68 in.)
BATTERIES	4-305A/hr, 6V deep cyc	4-305A/hr, 6V deep cyc
RUN TIME on full charge	4.76 Hours	4.76 Hours
DECIBEL RATING AT OPERATOR'S EAR, INDOORS ON TILE.	<70dB(A)	<70dB(A)

FaST SYSTEM (FaST MODEL)	
SOLUTION PUMP	24 Volt DC, 3.5 A, 1.5 GPM open flow, 45 psi bypass setting
SOLUTION FLOW RATE	0.68 LPM (0.18 GPM)
DETERGENT PUMP	24 Volt, 24 Watts
CONCENTRATE FLOW RATE	0.80 CC/Minute (0.02 Ounces/Minute)
CONCENTRATE TO WATER DILUTION RATIO	1:850
AIR COMPRESSOR	24 Volt DC, 0.6 Maximum Amp draw
AIR COMPRESSOR FLOW RATE	8.7 LPM (0.3 CFM) open flow

Este manual se incluye en todos los modelos nuevos. Proporciona la información necesaria para su utilización y mantenimiento.

**Lea todo el manual detenidamente para comprender la máquina antes de utilizarla o revisarla.**

Use la Lista de Piezas incluida en este manual al ordenar piezas de repuesto. Antes de ordenar piezas o suministros, asegúrese de tener el número de modelo y el número de serie de su máquina. Las piezas y los suministros pueden ordenarse por teléfono o por correo de cualquier centro autorizado de piezas y servicios, distribuidor de piezas o de cualquier subsidiaria del fabricante.

Esta máquina proporcionará un servicio excelente. Sin embargo, los mejores resultados se obtienen a un costo mínimo si:

- La máquina se opera con un cuidado razonable.
- La máquina se mantiene con regularidad, según las instrucciones de mantenimiento provistas.
- La máquina se mantiene con las piezas provistas por el fabricante o equivalentes.

## DATOS DE LA MÁQUINA

Por favor complete al momento de la instalación para referencia futura.

No. de Modelo- \_\_\_\_\_

Fecha de instalación - \_\_\_\_\_

No. de Serie- \_\_\_\_\_



### PROTECCIÓN DEL MEDIO AMBIENTE

Deseche el material de embalaje, los componentes usados de la máquina como las baterías y los líquidos peligrosos como el anticongelante y el aceite, de forma segura para el medio ambiente, de acuerdo con las normativas o disposiciones locales.



No olvide reciclar.

## ÍNDICE

---

<b>MEDIDAS DE SEGURIDAD</b> .....	<b>25</b>	<b>ALMACENAMIENTO DE LA MÁQUINA</b> .....	<b>42</b>
<b>ETIQUETAS DE SEGURIDAD</b> .....	<b>26</b>	<b>ARICULOS RECOMENDADOS A</b>	
<b>COMPONENTES DE LA MÁQUINA</b> .....	<b>27</b>	<b>MANTENER EN EXISTENCIA</b> .....	<b>42</b>
<b>INSTALACIÓN DE LA MÁQUINA</b> .....	<b>28</b>	<b>LOCALIZACIÓN DE AVERÍAS</b> .....	<b>43</b>
DESEMBALADO DE LA MÁQUINA .....	28	<b>ESPECIFICACIONES</b> .....	<b>46</b>
INSTALACIÓN DE LAS BATERÍAS .....	28	<b>DIAGRAMA ELECTRICO</b> .....	<b>71</b>
<b>PREPARACIÓN DE LA MÁQUINA</b> .....	<b>29</b>	<b>LISTA DE PIEZAS</b> .....	<b>72</b>
FIJACIÓN DEL CONJUNTO DE LA		CEPILLO DEL REEMPLAZO Y GRUPO	
ESCOBILLA DE GOMA .....	29	DEL MANDO DE LA ALMOHADILLA .....	72
INSTALACIÓN DE LOS CEPILLOS O DE LOS		CONJUNTO DESPOSITO RECUPERAR ...	74
IMPULSORES DE LAS ALMOHADILLAS ...	30	CONJUNTO TELAIO .....	76
INSTALACIÓN DEL AGENTE		CONJUNTO CONSOLA DE CONTROLES ..	78
FaST-PAK (MODELO FaST) .....	31	CONJUNTO CONSOLA DE CONTROLES -	
LLENADO DEL DEPÓSITO DE		MODELO FaST .....	80
LA DISOLUCIÓN .....	31	CONJUNTO DE PALANCAS .....	82
<b>FUNCIONAMIENTO DE LA MÁQUINA</b> .....	<b>32</b>	CONJUNTO CONSOLA ELÉCTRICO .....	84
COMPROBACIONES PREVIAS A LA		CONJUNTO CONSOLA ELÉCTRICO -	
PUESTA EN FUNCIONAMIENTO .....	32	MODELO FaST .....	86
UTILIZACIÓN DE LA MÁQUINA .....	32	CONJUNTO RUEDA DE MANDO .....	88
OPERACIÓN DEL SISTEMA		ACCIONAMIENTO DEL CEPILLO Y GRUPO	
LIMPIADOR FAST (MODELO FaST) .....	34	DE MANGUERA DE SOLUCIÓN .....	90
DURANTE LA UTILIZACIÓN DE		GRUPO DE SOLUCIÓN - MODELO FaST .	92
LA MÁQUINA .....	34	CONJUNTO JUEGO - MODELO 2701 .....	94
CORTACIRCUITOS .....	35	CONJUNTO JUEGO - MODELO 3301 .....	95
<b>VACIADO DE LOS DEPÓSITOS</b> .....	<b>36</b>	GRUPO DE CONTROL DE LA ESCOBILLA	
VACIADO DEL DEPÓSITO		DE GOMA .....	96
DE RECUPERACIÓN .....	36	CONJUNTO PALETA ENCORUADO -	
VACIADO DEL DEPÓSITO		MODELO 2701 .....	98
DE LA DISOLUCIÓN .....	36	CONJUNTO PALETA ENCORUADO -	
<b>CARGA DE LAS BATERÍAS</b> .....	<b>36</b>	MODELO 3301 .....	100
<b>MANTENIMIENTO DE LA MÁQUINA</b> .....	<b>38</b>	AVERÍA DE LA BOMBA DE DISOLUCIÓN .	102
MANTENIMIENTO DIARIO .....	38	AVERÍA DE LA BOMBA DE AIRE .....	102
MANTENIMIENTO MENSUAL .....	39	<b>OPCIONES</b> .....	<b>103</b>
MANTENIMIENTO TRIMESTRAL .....	39	KIT DE HERRAMIENTA MOJADO .....	103
MANTENIMIENTO ANUAL .....	39	ES (FREGADO PROLONGADO) JUEGO ...	104
MANTENIMIENTO DE LA BATERÍAS .....	40		
MANTENIMIENTO DE LA CADENA DE			
IMPULSIÓN .....	41		
<b>TRANSPORTE DE LA MÁQUINA</b> .....	<b>41</b>		



---

## MEDIDAS DE SEGURIDAD

---

Esta máquina está diseñada para el uso comercial. Se ha diseñado exclusivamente para limpiar pisos duros en un ambiente interior y no se fabrica para ningún otro uso. Use sólo limpiadores recomendados de pisos comercialmente disponibles para la aplicación de la máquina.

Todos los operadores deben leer, entender y practicar las precauciones siguientes de seguridad.

El siguiente símbolo de alerta de advertencia y el encabezamiento de "PARA SU SEGURIDAD" se usan en este manual como se indica en su descripción:

**⚠ ADVERTENCIA:** Para advertir de riesgos o prácticas inseguras que podrían resultar en lesiones personales graves o la muerte.

**PARA SU SEGURIDAD:** Para identificar acciones que deben seguirse para el funcionamiento seguro del equipo.

---

El no cumplimiento de estas advertencias puede causar lesiones personales, descargas eléctricas, incendios y explosiones.

**⚠ ADVERTENCIA:** Peligro de incendio o explosión:

- Nunca utilice líquidos inflamables ni haga funcionar la máquina en las proximidades de líquidos, vapores o polvos inflamables.

*La máquina no está equipada con motores a prueba de explosiones. Los motores eléctricos producirán chispas tanto durante el arranque y como durante su utilización que pueden provocar incendios o explosiones si utiliza la máquina en presencia de líquidos o vapores inflamables o partículas combustibles.*

- No recoja materiales inflamables ni metales reactivos.
- Las baterías emiten hidrógeno. Mantenga chispas y llamas alejadas de la máquina. Mantenga el compartimento de la batería abierto mientras realiza la operación de carga.

**⚠ ADVERTENCIA:** Peligro eléctrico. Desconecte los cables de la batería antes de realizar reparaciones en la máquina.

---

La información siguiente señala condiciones potencialmente peligrosas para el operador o el equipo:

**PARA SU SEGURIDAD:**

1. No opere la máquina:
  - Con líquidos inflamables o cerca de los vapores inflamables ya que puede ocurrir una explosión o fuego explosivo.
  - A menos que esté capacitado y autorizado.
  - A menos que se haya leído y entendido el manual del funcionamiento.
  - Si no está en condición de ejecutar una operación apropiada.
2. Antes de arrancar la máquina:
  - Asegúrese que todos los dispositivos de seguridad están en su lugar y operando apropiadamente.
3. Al usar máquina:
  - Avance lentamente en las cuestas y superficies resbaladizas.
  - Use zapatos antiresbalosos.
  - Reduzca la velocidad al realizar giros.
  - Informe inmediatamente acerca de daños o una operación defectuosa de la máquina.
  - Nunca permita que los niños jueguen en o alrededor de la máquina.
  - Siga las instrucciones de mezcla y manejo indicados en los recipientes químicos.
4. Antes de salir de o reparar la máquina:
  - Deténgala en una superficie nivelada.
  - Apague la máquina.
5. Al prestar servicio a la máquina:
  - Evite las piezas móviles. No use chaquetas, camisas, o mangas, holgadas.
  - Bloquee las ruedas de la máquina antes de alzar.
  - Use gúinches o gatos para soportar el peso de la máquina.
  - Desconecte las conexiones de la batería antes de trabajar en la máquina.
  - Utilice guantes y gafas de protección al trabajar con las baterías o sus cables.
  - Evite el contacto con el ácido de la batería.
  - No moje la máquina rociándola o utilizando una manguera. Pueden producirse fallos eléctricos.
  - Use piezas de repuesto provistas o aprobadas por el fabricante.
  - Todas las reparaciones deben ser realizadas por una persona de servicio calificada.
  - No modifique la máquina de su diseño original.

# OPERACIÓN

## 6. Al transportar máquina:

- Apague la máquina.
  - Obtenga ayuda al alzar la máquina.
  - No alce la máquina al instalar las baterías.
- Use una rampa recomendada al cargar/descargar al/fuera del camión o remolque .
  - Use correas de amarre para asegurar la máquina al camión o remolque.

## ETIQUETAS DE SEGURIDAD

Los adhesivos de seguridad se encuentran en las posiciones indicadas a continuación. Sustituya los adhesivos si se han desprendido, están deteriorados o son ilegibles.

### ETIQUETA DE ADVERTENCIA - LOCALIZADA EN EL TANQUE DE RECUPERACION.

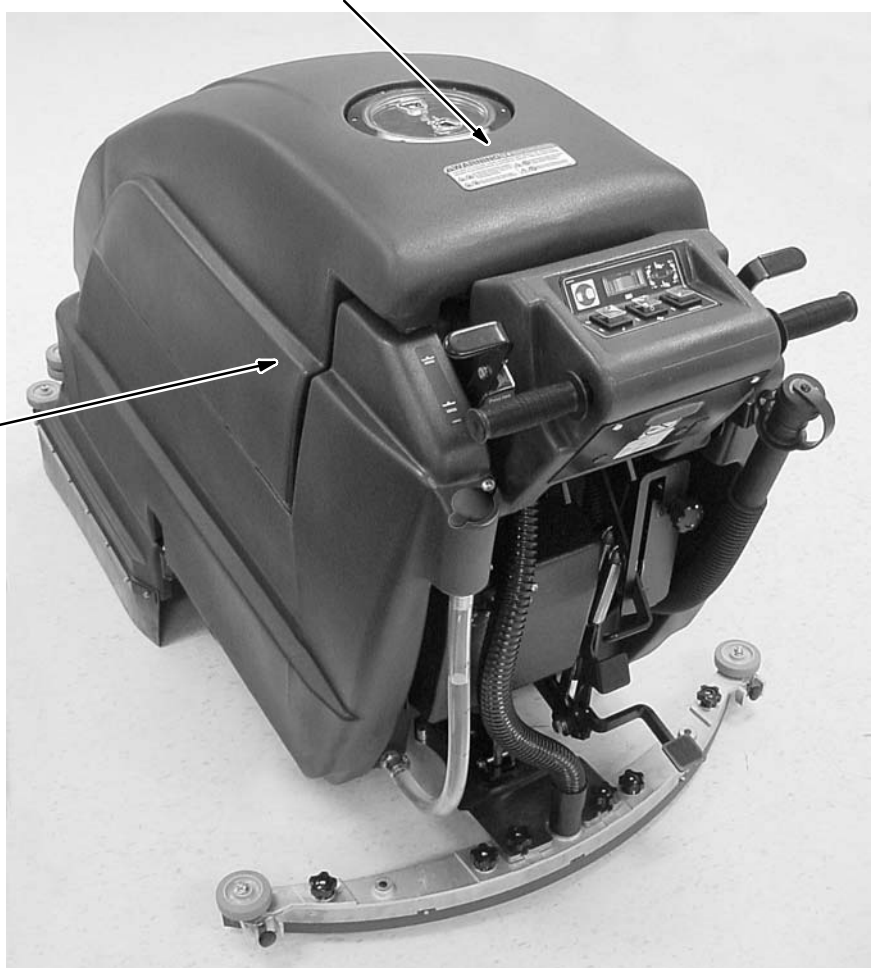
⚠ WARNING	⚠ AVERTISSEMENT	⚠ ADVERTENCIA
 <p><b>EXPLOSION, FIRE AND SHOCK HAZARD. AVOID INJURY.</b></p> <ul style="list-style-type: none"><li>• Do Not Use or Pick Up Flammable Materials.</li><li>• Do Not Use Near Flammable Liquids, Vapors or Combustible Dusts.</li><li>• Keep Sparks and Open Flame Away When Charging Batteries. Keep Battery Hood Open When Charging.</li><li>• Disconnect Battery Cables and Charger Cord Before Servicing.</li></ul>	<p><b>RISQUE D'EXPLOSION, D'INCENDIE ET DE DÉCHARGE. ÉVITEZ LES BLESSURES.</b></p> <ul style="list-style-type: none"><li>• N'utilisez Pas ou Ne Ramassez Pas de Matériaux Inflammables.</li><li>• N'utilisez Pas Près de Liquides, Vapeurs ou Poussières Inflammables.</li><li>• Eloignez les Sources d'Étincelles ou de Flamme Ouverte Lors du Chargement des Batteries. Laissez Ouvert le Capot du Compartiment des Batteries Lors de la Mise en Charge.</li><li>• Débranchez les Câbles de Batterie et la Cordon du Chargeur Avant l'Entretien.</li></ul>	<p><b>PELIGRO DE EXPLOSIÓN, FUEGO, DESCARGA EVITE LESIONES.</b></p> <ul style="list-style-type: none"><li>• No Use Ó Recoja Materiales Flammables.</li><li>• No Use Cerca De Líquidos Flammables, Vapores Ó Materiales Combustibles.</li><li>• Mantenga Chispas Y Fuego Alejados Mientras Carga Baterías. Mantenga Tapa De Batería Abierta Mientras Carga.</li><li>• Desconecte Cable De Batería Y Cable Del Cargador Antes Del Mantenimiento.</li></ul>



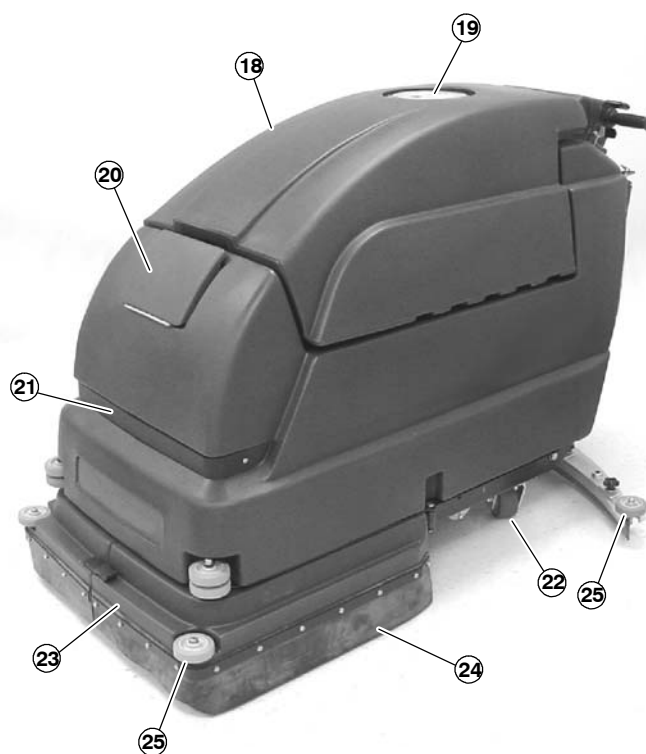
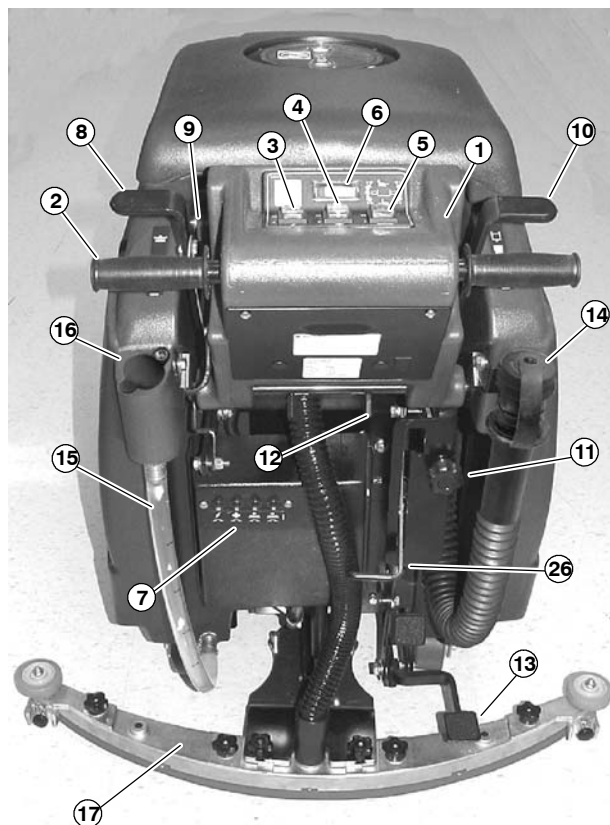
### ETIQUETA DE CAMBIO DE BATERIA

- ESTÁ SITUADA EN EL COMPARTIMIENTO DE BATERÍA.

**⚠ ADVERTENCIA:** Peligro de incendio o explosión. Las baterías emiten hidrógeno. Mantenga chispas y llamas alejadas de la máquina. Mantenga el compartimento de la batería abierto mientras realiza la operación de carga.

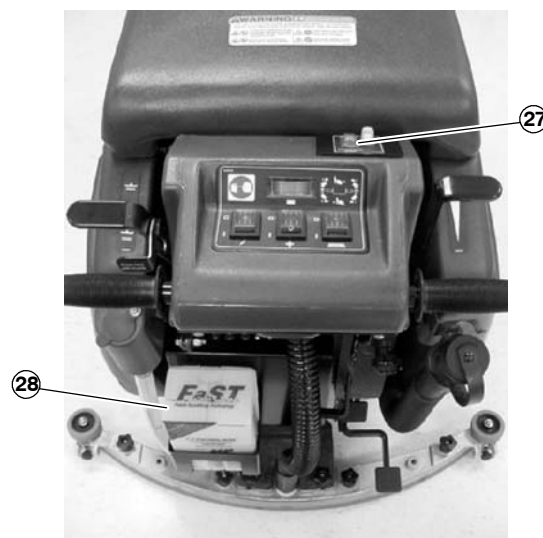


## COMPONENTES DE LA MÁQUINA



1. Panel de control
2. Mandos giratorios de control
3. Interruptor principal (MAIN) y de Encendido/Apagado de la transmisión
4. Interruptor de Encendido/Apagado (ON/OFF) de la aspiración
5. Interruptor de Encendido/Apagado (ON/OFF) del cepillo
6. Indicador del nivel de carga de la batería
7. Cortacircuitos
8. Palanca de elevación de la escobilla de goma
9. Palanca de liberación de la escobilla de goma
10. Palanca del flujo de la disolución
11. Botón de ajuste del flujo de la disolución
12. Palancas de ajuste del panel de control
13. Pedal para elevar el cepillo
14. Manguera de vaciado del depósito de recuperación
15. Manguera de vaciado del depósito de recuperación con indicación en galones
16. Puerta trasera de llenado
17. Conjunto de la escobilla de goma

### Modelo FaST



22. Ruedecillas traseras
23. Soporte de la aleta
24. Aleta del cabezal de fregado
25. Rodillos de pared
26. Palanca de presión del cepillo
27. Conmutador de Limpiado FaST/Convencional (Modelo FaST)
28. Sistema surtidor FaST-PAK (Modelo FaST)

# OPERACIÓN

## INSTALACIÓN DE LA MÁQUINA

### DESEMBALADO DE LA MÁQUINA

1. Controle cuidadosamente si la caja de embalaje presenta signos de deterioro. Si existieran desperfectos, informe inmediatamente al transportista.
2. Compruebe la lista del contenido. Póngase en contacto con el distribuidor en caso de no haber recibido todos los accesorios.

Contenido:

- 4-Baterías de 6V - Opción
- 1-Cargador de baterías - Opción
- 1-Bandeja de batería (núm. 100707)
- 3-Cables de batería (núm. 130367)
- 1-concentrado FaST-PAK (*modelo FaST*)
- 1-Conjunto de la escobilla de goma

*Los impulsores de almohadillas y las almohadillas deben adquirirse por separado.*

3. Para desembalar la máquina, retire los elementos y cintas de embalaje que fijan la máquina al pallet. Con ayuda, levante la máquina del pallet.

**ATENCIÓN:** No haga rodar la máquina para retirarla del pallet si no utiliza una rampa, ya que podría averiarla.

**ATENCIÓN:** Para evitar el posible deterioro de la máquina, monte las baterías después de retirar la máquina del pallet de transporte.

### INSTALACIÓN DE LAS BATERÍAS

**⚠ ADVERTENCIA:** Peligro de incendio o explosión. Las baterías emiten hidrógeno. Mantenga chispas y llamas alejadas de la máquina. Mantenga la tapa del compartimento de la batería abierto mientras realiza la operación de carga.

**PARA SU SEGURIDAD:** Al revisar la máquina, utilice guantes y gafas de protección cuando manipule las baterías y sus cables. Evite el contacto con el ácido de la batería.

### Especificaciones de la batería:

Cuatro baterías de 6 voltios, de ciclo profundo, de 305 amp-hora; pieza Nobles número 606991. Las dimensiones máximas de las baterías son 178mm (7 pulg.) de ancho x 308mm (12-1/8 pulg.) de largo x 356mm (14 pulg.) de alto.

1. Coloque todos los interruptores en la posición de apagado off y tire hacia fuera del botón del cortacircuitos principal main (Figura 1).

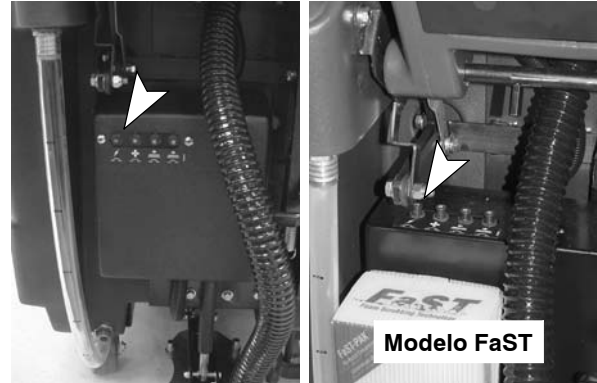


FIG. 1

**ATENCIÓN:** Para evitar que los motores arranquen accidentalmente, asegúrese de tirar hacia fuera del botón del cortacircuitos principal main antes de instalar las baterías.

2. Abra lateralmente y con cuidado el depósito de recuperación girándolo sobre la bisagra para poder acceder al compartimento de la batería. Extraiga del compartimento los cables sueltos de la batería (Figura 2).



FIG. 2

3. Instale cuidadosamente las baterías en el compartimento y coloque los bornes de la batería como se indica (Figura 3).

**ATENCIÓN:** No deje caer las baterías en el compartimento, tanto la batería como su soporte podrían averiarse.

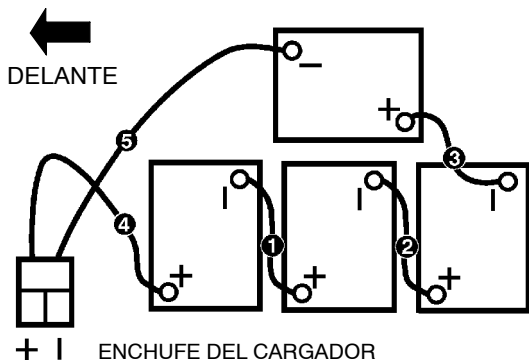


FIG. 3

4. Antes de conectar los cables de la batería, asegúrese de que los bornes y terminales están limpios. Utilice un limpiador de bornes y un cepillo de cerdas metálicas si es necesario.

**NOTA:** Aplique una fina capa de grasa no metálica o spray de protección en las conexiones del cable para evitar la aparición de corrosión en la batería.

5. Conecte los cables a los bornes de la batería en el orden numérico indicado en la etiqueta, ROJO EN EL POSITIVO Y NEGRO EN EL NEGATIVO (Figura 3).
6. Vuelva a comprobar la conexión de los cables antes de cerrar el compartimento de la batería.
7. Oprima el botón del cortacircuitos principal para restablecerlo.
8. Coloque el interruptor principal en la posición de encendido y revise el indicador de nivel de carga de las baterías para asegurarse de que estén totalmente cargadas. Si es necesario recargar las baterías, consulte la sección CARGA DE LAS BATERÍAS.

## PREPARACIÓN DE LA MÁQUINA

### FIJACIÓN DEL CONJUNTO DE LA ESCOBILLA DE GOMA

1. Coloque el interruptor principal en la posición de apagado.

**PARA SU SEGURIDAD:** Antes de abandonar o revisar la máquina, deténgase en una superficie plana, apague la máquina.

2. Tire hacia atrás de la palanca de elevación de la escobilla de goma para elevar el soporte de la escobilla de goma (Figura 4).

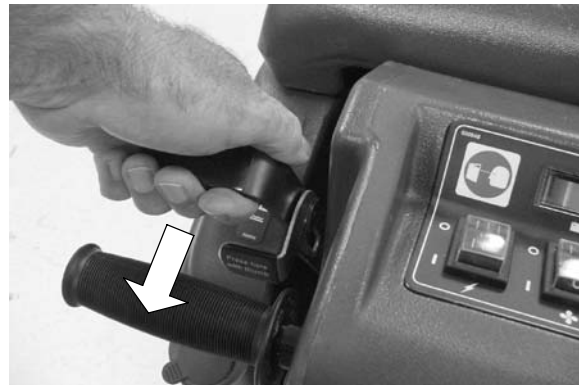


FIG. 4

3. Afloje los dos tornillos de orejas de la escobilla de goma e introduzca dicha escobilla deslizándola en las ranuras de la parte posterior del soporte de la escobilla de goma (Figura 5).

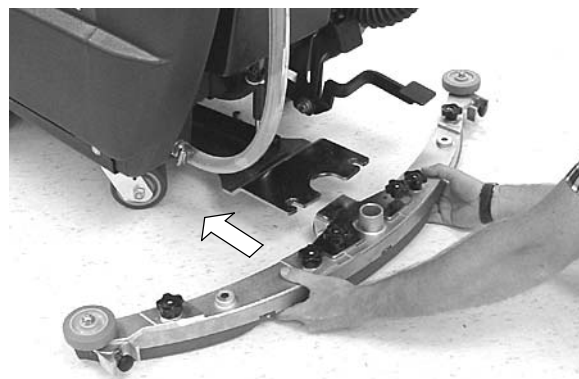


FIG. 5

4. Fije los tornillos de orejas.
5. Conecte la manguera de aspiración de la máquina al conjunto de la escobilla de goma (Figura 6).

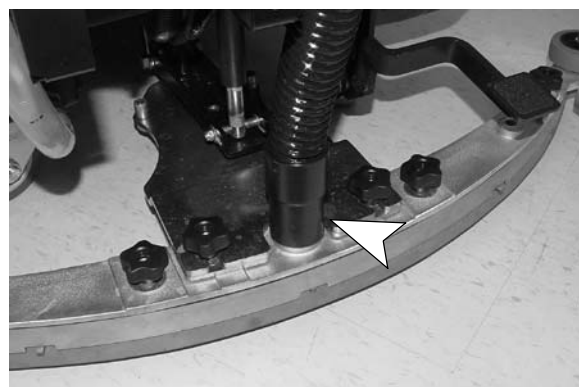


FIG. 6

## INSTALACIÓN DE LOS CEPILLOS O DE LOS IMPULSORES DE LAS ALMOHADILLAS

1. Coloque el interruptor principal en la posición de apagado y tire hacia fuera del botón del cortacircuitos principal.

**PARA SU SEGURIDAD: Antes de abandonar o revisar la máquina, deténgase en una superficie plana, apague la máquina.**

**ATENCIÓN: Para evitar que la máquina comience a funcionar accidentalmente, tire hacia fuera del botón del cortacircuitos principal antes de instalar los impulsores de las almohadillas. El botón del cortacircuitos principal está en la parte posterior de la consola de control.**

2. Eleve el cabezal del cepillo, pise con fuerza la parte inferior del pedal de elevación del cepillo para elevarlo (Figura 7).



FIG. 7

3. Suelte el enganche negro de la parte delantera de la máquina y abra la bisagra del soporte de la aleta para acceder al cubo del motor (Figura 8).

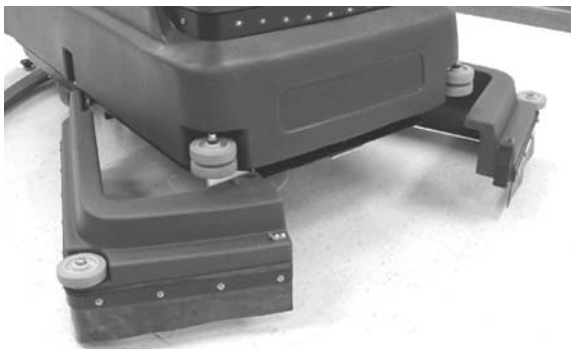


FIG. 8

4. Seleccione el cepillo o la almohadilla recomendados que mejor se adapte a sus necesidades de limpieza.

**NOTA: Consulte a su distribuidor autorizado para la elección del cepillo o de la almohadilla adecuados para su caso específico.**

5. **(Instalación de la almohadilla)** Fije las almohadillas a los impulsores de la almohadilla antes de conectar dichos impulsores al cubo del motor. Para fijar la almohadilla a su impulsor retire el cierre central de plástico del impulsor de la almohadilla. Coloque la almohadilla en el centro del impulsor de la almohadilla y vuelva a colocar y fijar el cierre central (Figura 9).

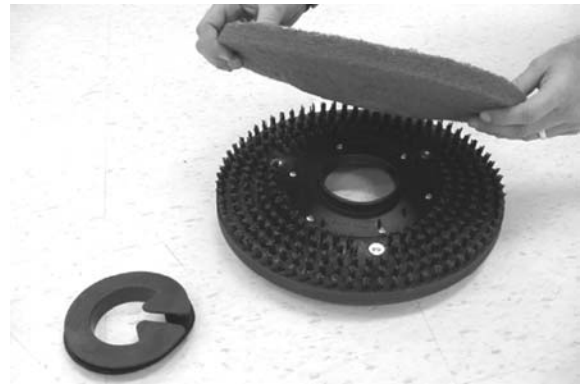


FIG. 9

6. Conecte los impulsores del cepillo/de la almohadilla a los cubos del motor. Alinee los (3) pernos de montaje con las ranuras del cubo del motor. Gire rápidamente el impulsor hacia el sujetador de resorte del cubo del motor. Asegúrese de que el impulsor de la almohadilla esté bien sujeto y que el sujetador de resorte se introduzca en uno de los pernos del impulsor antes de poner la máquina en funcionamiento (Figura 10).

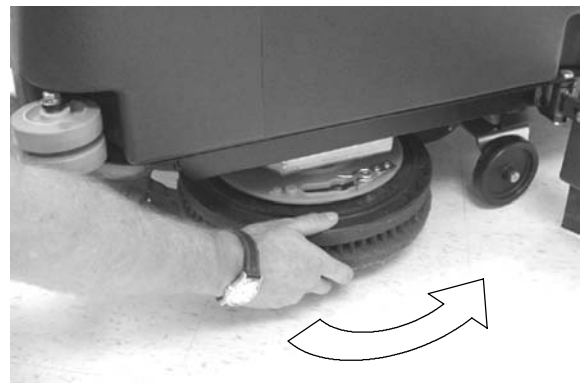


FIG. 10

**NOTA: Asegúrese siempre de que las superficies del impulsor de la almohadilla y del cubo del motor estén limpias antes de instalar los impulsores. El mantener las superficies limpias facilitará la extracción de los impulsores de las almohadillas.**

7. Cierre el soporte de la aleta y ajuste de nuevo el enganche.

## INSTALACIÓN DEL AGENTE FaST-PAK (Modelo FaST)

1. Abra el envase de FaST-PAK por la marca perforada. No retire la bolsa del envase. Saque el conector de la manguera a través de la marca y retire el tapón naranja (Figura 11).

**ATENCIÓN: El concentrado limpiador de pisos FaST-PAK está específicamente diseñado para aplicar al sistema de limpieza FaST. NUNCA use un sustituto ya que pueden resultar daños a la máquina.**

**PARA SU SEGURIDAD: Al utilizar la máquina, siga siempre las instrucciones de uso indicadas en el envase del producto químico.**

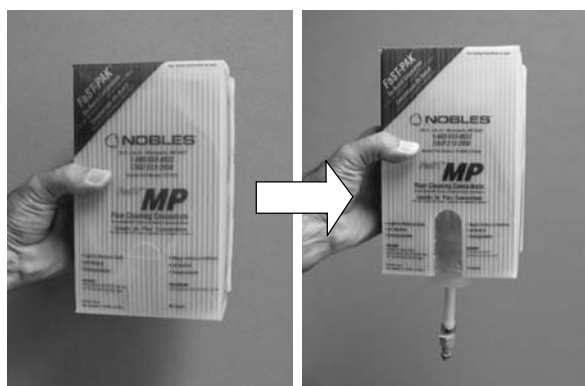


FIG. 11

2. Coloque la caja FaST-PAK en el recipiente de la caja en la parte posterior de la máquina y conecte la manguera de alimentación a la bolsa del FaST-PAK (Figura 12).

**NOTA:** Empape y limpie con agua tibia, si hay concentrado seco visible en el conector de la manguera de alimentación o en el conector del FaST-PAK.



FIG. 12

3. Asegúrese de conectar la manguera de alimentación sobre la tapa de almacenamiento de la manguera cuando no se usa (Figura 13). Esto impide que el sistema de solución FaST se seque y tapone la manguera de alimentación.

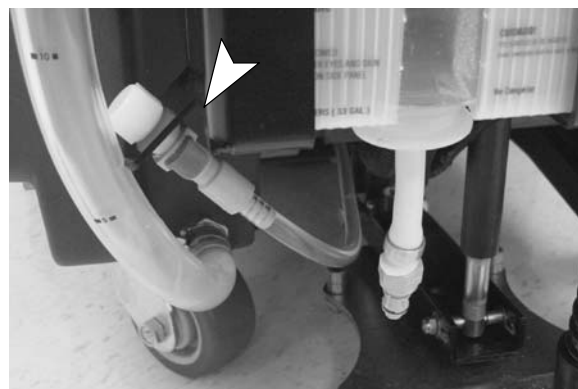


FIG. 13

4. El sistema de solución FaST DEBE cebarse para el primer uso. Para cebar el sistema asegúrese que el tanque de solución está vacío y opere la máquina en el modo de limpieza FaST Scrub por 3 minutos (Vea OPERACION DE LA MÁQUINA). Este paso se requiere sólo para el primer uso del sistema FaST.

## LLENADO DEL DEPÓSITO DE LA DISOLUCIÓN

**ATENCIÓN: SOLO USE AGUA LIMPIA Y FRÍA, para los modelos equipados con la opción de FaST. NO agregue agentes limpiadores al tanque de solución. Los agentes/restauradores convencionales de limpieza pueden causar la falla del sistema de solución FaST.**

1. Empuje o dirija la máquina a la estación de llenado. Levante la escobilla de goma y el cepillo durante el transporte.
2. De vuelta apagado a la máquina

**PARA SU SEGURIDAD: Antes de abandonar o revisar la máquina, deténgase en una superficie plana, apague la máquina.**

3. Cierre del flujo de la disolución. Tire totalmente hacia atrás de la palanca del flujo de la disolución (Figura 14).



FIG. 14

# OPERACIÓN

- Abra la puerta de llenado de la disolución que se encuentra en la parte delantera de la máquina y llene el depósito de la disolución con agua limpia (temperatura máxima de 60°C) o puede llenar el depósito de la disolución utilizando el orificio de llenado de la parte trasera de la máquina. Quite el tapón e introduzca la manguera para llenar el depósito. El tubo transparente que se encuentra debajo del orificio de llenado tiene marcas cada 19 litros para indicar el volumen de agua del depósito (Figura 15).

**NOTA:** La temperatura del agua **NO** debe ser superior a los 60°C (140°F) ya que se podría dañar el tanque.



FIG. 15

**NOTA:** Si utiliza un cubo para llenar el depósito, asegúrese de que dicho cubo esté limpio para evitar que se obstruyan las tuberías de la disolución.

- PARA FREGADO CONVENCIONAL:** Vierta un detergente recomendado en el depósito de disolución siguiendo las instrucciones de uso indicadas en el envase.

**ATENCIÓN:** Utilice únicamente productos de limpieza recomendados, **NO** utilice sustitutos. Consulte a un distribuidor autorizado acerca de los productos recomendados.

**⚠ ADVERTENCIA:** Peligro de incendio o explosión. No utilizar **NUNCA** líquidos inflamables.

**PARA SU SEGURIDAD:** Al usar la máquina, observe las instrucciones de mezcla y manejo de los recipientes de sustancias químicas.

## FUNCIONAMIENTO DE LA MÁQUINA

**PARA SU SEGURIDAD:** No utilice la máquina salvo que el operario haya leído y comprendido el manual de instrucciones.

**⚠ ADVERTENCIA:** Peligro de incendio o explosión. **NUNCA** haga funcionar la máquina sobre o en las proximidades de líquidos, vapores o polvos inflamables.

### COMPROBACIONES PREVIAS A LA PUESTA EN FUNCIONAMIENTO

- Barra el suelo y quite el polvo que pueda quedar con una mopa.
- Controle el nivel de carga de la batería para asegurarse que de las baterías estén completamente cargadas (Consulte CARGA DE LAS BATERÍAS).
- Controle que están instalados los cepillos o almohadillas.
- Controle que está instalada la escobilla de goma.
- Modo FaST scrub: Asegúrese que se ha drenado todo el tanque de solución y se ha enjuagado de todos los agentes limpiadores convencionales. Inspeccione el nivel del agente FaST-PAK, reemplace la caja según requerido.

### UTILIZACIÓN DE LA MÁQUINA

**NOTA:** Refiérase a las página 33 por procedimientos adicionales de operación, si su máquina está equipada con la opción de FaST .

- Ajuste los mandos de control a una altura de manejo cómoda (tres ajustes posibles). Presione las dos palancas que se encuentran bajo el panel para elevar o bajar los mandos de control (Figura 16).

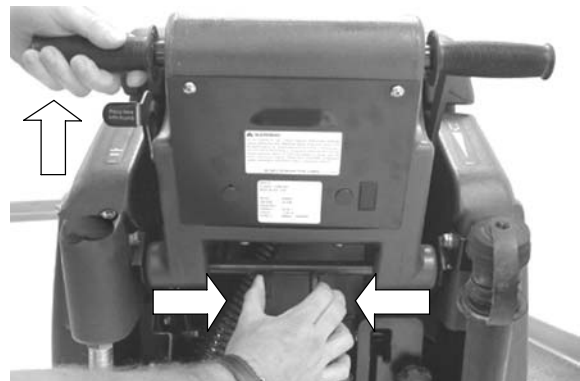


FIG. 16



2. Baje la escobilla de goma, pulse los pulsadores de la palanca de elevación de la escobilla de goma (Figura 17).



FIG. 17

3. Bajada del cabezal del cepillo: Pise con fuerza la parte superior del pedal de elevación del cepillo y empuje dicho pedal hacia delante para liberarlo (Figura 18).

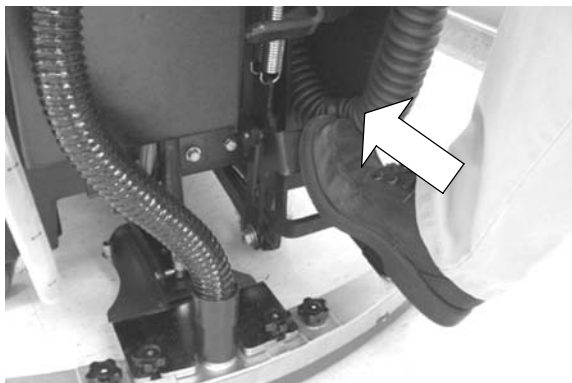


FIG. 18

4. Coloque el interruptor principal, el de los cepillos y el de aspiración en la posición de encendido.

**NOTA:** Los motores de los cepillos no arrancan hasta que se giran los mandos de control.

5. Empuje la palanca del flujo de la disolución ligeramente hacia delante para activar el paso de la disolución (para fregado convencional). Cuanto más empuje dicha palanca hacia delante mayor será el flujo de disolución. Empuje la palanca completamente para que el flujo sea máximo. La disolución empezará a fluir inmediatamente después de activar la palanca (Figura 19).



FIG. 19

**NOTA:** Para aumentar o disminuir el flujo máximo de la disolución gire el botón de ajuste del flujo de la disolución (para fregado convencional). Gire el botón en el sentido de las agujas del reloj para reducirlo y en sentido contrario para incrementar el flujo (Figura 20).



FIG. 20

6. Gire lentamente los mandos giratorios de control hacia delante para comenzar la operación de barrido. Cuanto más gire los mandos más velocidad ganará la máquina. Para desplazar la máquina marcha atrás basta girar los mandos hacia atrás.

**ATENCIÓN:** Arranque siempre la máquina a baja velocidad para evitar que salga despedida.

7. Controle la cantidad de flujo de disolución en el suelo y ajuste la palanca de control de la disolución para la cantidad de flujo de la disolución deseada (para fregado convencional).
8. Para detener la máquina suelte los mandos de control.

## OPERACIÓN DEL SISTEMA LIMPIADOR FaST (MODELO FaST)

Cómo opera el sistema FaST (Tecnología de limpieza por espuma). El agente concentrado FaST-PAK se inyecta dentro del sistema con una mezcla de una pequeña cantidad de agua y aire comprimido. Esta mezcla crea un volumen grande de espuma expandida. La mezcla de espuma expandida se dispersa a continuación sobre el piso mientras que dos discos limpiadores comienzan a funcionar. Cuando el escurridor aspira la mezcla, el agente espumante patentado se hundido y recobrado dentro del tanque de recuperación. Al usar la aplicación del sistema FaST, usted puede incrementar su productividad en un 30% al reducir su ciclo de volcado/llenado. Usted reducirá también el uso y espacio de almacenamiento de las sustancias químicas. Un FaST-PAK de agente concentrado le permite limpiar hasta 1 millón de pies cuadrados.

1. Asegúrese que la caja de concentrado de limpieza de pisos FaST-PAK esté bien instalada (Vea INSTALACIÓN DEL AGENTE FaST-PAK).
2. Asegúrese que el tanque de solución esté lleno de agua limpia y fría solamente. NO agregue agentes limpiadores convencionales al tanque de solución. Agentes/Restauradores convencionales de limpieza en el tanque de solución pueden ser en una falla prematura del sistema FaST.
3. Coloque el interruptor principal y el de los cepillos en la posición de encendido. Tire totalmente hacia atrás la palanca del flujo de la disolución (Figura 21).



FIG. 21

**NOTA:** La velocidad del flujo de agua del tanque de solución se regula automáticamente mediante la operación del sistema FaST. La velocidad del flujo de solución no puede ajustarse mediante la perilla de ajuste de control de la solución durante el modo de FaST Scrub.

4. Oprima el conmutador de FaST Scrub/Conventional hacia la posición de modo de FaST Scrub - la luz del interruptor se encenderá (Figura 22).

**NOTA:** La palanca del flujo de la solución se debe tirar para activar el interruptor.



FIG. 22

**NOTA:** Para limpiar con agua limpia solamente, simplemente oprima el conmutador de FaST Scrub/Conventional Scrub hacia la posición de modo de Conventional Scrub. Esto le permite operar la máquina en una aplicación de enjuague.

5. Para comenzar a limpiar siga las instrucciones estándar de OPERACIÓN DE LA MÁQUINA.

## DURANTE LA UTILIZACIÓN DE LA MÁQUINA

**PARA SU SEGURIDAD: Conduzca despacio cuando utilice la máquina en pendientes o superficies resbaladizas.**

**⚠ ADVERTENCIA: Peligro de incendio o explosión. NO recoja materiales inflamables ni metales reactivos.**

1. Superponga cada pasada de fregado 5 cm (2 pulg.).
2. Fregado convencional: Vierta un producto para el control de la formación de espuma en el depósito de recuperación si existe exceso de espuma.

**ATENCIÓN: No permita que el agua o la espuma se introduzcan en el filtro del flotador de cierre de la aspiración porque podría averiar el motor de aspiración. La espuma no activará el filtro del flotador de cierre.**

3. Cuando sea necesaria una mayor presión de fregado para limpiar pequeñas áreas muy sucias, siga los siguientes pasos:
  - a. Baje el cepillo.
  - b. Levante la palanca de presión del cepillo hasta que quede bloqueada (Figura 23).

**NOTA:** El cepillo **DEBE** estar bajado para poder elevar la palanca de la presión del cepillo hasta la posición de bloqueo. No deje la palanca en esta posición cuando los cepillos estén elevados.



FIG. 23

4. Si la escobilla de goma deja marcas, eleve la escobilla de goma y limpie las láminas con un paño. Barra la zona con anterioridad para evitar la formación de marcas.
5. Antes de detener o girar la máquina, tire hacia atrás de la palanca de control de la disolución para detener el paso de disolución (para fregado convencional).
6. Durante las paradas cortas no es necesario apagar el interruptor del cepillo; el cepillo se detendrá automáticamente al soltar los mandos de control.
7. Controle la disolución que queda en el depósito de la disolución durante la operación de limpieza a través del tubo indicador transparente. Cada marca de la manguera indica 19 litros.
8. Controle periódicamente el nivel de carga de la batería. Recargue las baterías cuando la aguja se encuentre en la zona roja.

**ATENCIÓN:** No siga utilizando la máquina cuando la aguja del indicador de carga de la batería se encuentre en la zona roja porque podría dañar la batería.

9. Cuando se vacíe el depósito de la disolución, apague el interruptor del cepillo, cierre el flujo de la disolución mediante la palanca del flujo de la disolución y continúe aspirando hasta que todo el agua sucia se introduzca en el depósito de recuperación. A continuación vacíe el depósito de recuperación. (Consulte el apartado de VACIADO DE LOS DEPÓSITOS)

## CORTACIRCUITOS

Se equipa la máquina con (4) cortacircuitos para proteger los motores contra daños. Si se abre algún cortacircuitos, no es posible restablecerlo (cerrarlo) de inmediato. Determine la razón por la que se abrió, permita que el motor se enfríe y luego restablezca el cortacircuitos. Los cortacircuitos de los motores de los cepillos se abren debido a alguna sobrecarga excesiva en las almohadillas. En caso que el cortacircuitos llegara a abrirse, limpie o cambie la almohadilla afectada. Los botones de los cortacircuitos están en la parte posterior de la máquina, como se muestra en la Figura 24.

- Interruptor de circuito principal 10A
- Interruptor de circuito aspiración/impulsoras 35A
- Interruptor de circuito cepillo 35A (2)
- Interruptor de circuito FaST System 10A (Modelo FaST)

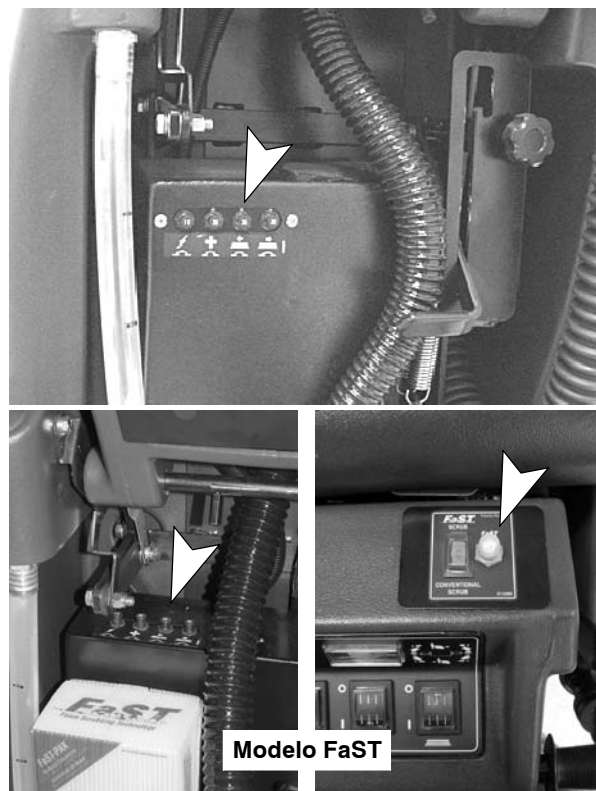


FIG. 24

**NOTA:** Si está realizando cualquier tipo de servicio en la máquina, tire hacia fuera del botón del cortacircuitos principal. Esto evita que algún motor llegue a funcionar accidentalmente mientras le esté dando servicio a la máquina.

# OPERACIÓN

## VACIADO DE LOS DEPÓSITOS

Debe vaciarse y limpiarse el depósito de recuperación después de cada uso. El depósito de disolución debe limpiarse periódicamente para retirar cualquier corrosión.

Transporte la máquina a un punto de vaciado, apague la llave de alimentación y realice las siguientes instrucciones de vaciado:

**PARA SU SEGURIDAD: Antes de abandonar o revisar la máquina, deténgase en una superficie plana, apague la máquina.**

### VACIADO DEL DEPÓSITO DE RECUPERACIÓN

1. Retire la manguera de vaciado de su soporte, coloque la manguera en el desagüe del suelo y desenrosque el tapón de la manguera de vaciado. Para vaciar completamente el depósito de recuperación, desplace dicho depósito lateralmente girándolo sobre la bisagra, monte el soporte del depósito y coloque el depósito sobre dicho soporte (Figura 25).

**NOTA:** Si utiliza un cubo para vaciar la máquina, no utilice el mismo cubo para llenar el depósito de la disolución.



FIG. 25

2. Aclare el depósito de recuperación después de cada uso. Esto evitará malos olores. Destornille la tapa transparente del depósito de recuperación. Utilice una manguera para aclarar el depósito de recuperación. Tenga cuidado de no introducir agua en el flotador de cierre.

### VACIADO DEL DEPÓSITO DE LA DISOLUCIÓN

1. Extraiga la lengüeta de la manguera transparente con marcas de la parte posterior de la máquina tirando de ella y vacíe la disolución limpiadora en el desagüe o en un cubo (Figura 26).

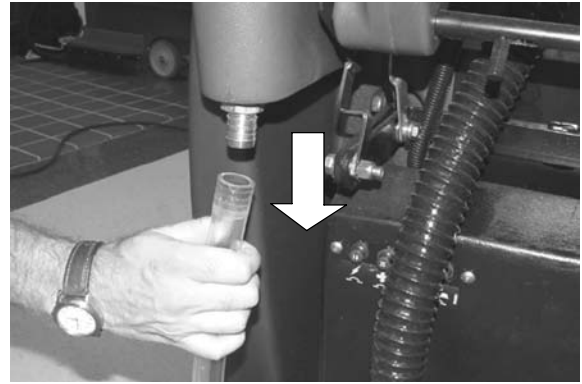


FIG. 26

2. Aclare el depósito de la disolución con agua limpia después de cada uso y aclare el sistema de tuberías de la disolución empujando la palanca del flujo de disolución hacia delante. Esto evitará obstrucciones debidas a la acumulación de productos químicos. Utilice la manguera transparente para vaciar el depósito de la disolución.
3. Conecte de nuevo la manguera transparente a la lengüeta de la manguera. Asegúrese de que la manguera está bien introducida en la lengüeta de la manguera.

## CARGA DE LAS BATERÍAS

**ATENCIÓN:** Para prolongar la vida útil de las baterías y obtener un rendimiento óptimo de la máquina, recargue ÚNICAMENTE las baterías si se ha utilizado la máquina más de 30 minutos. No deje nunca las baterías descargadas durante periodos largos.

Las siguientes instrucciones de carga se refieren sólo a los cargadores suministrados con la máquina. Utilice únicamente cargadores de baterías de las siguientes características para evitar el deterioro de las baterías.

### CARACTERÍSTICAS DEL CARGADOR DE BATERÍAS:

- TIPO DE CARGADOR: PARA BATERÍAS DE PLOMO CON ÁCIDO
- VOLTAJE DE SALIDA 24 VOLTIOS
- CORRIENTE DE SALIDA 25 AMP
- CIRCUITO DE CIERRE AUTOMÁTICO
- PARA CARGAR BATERÍAS DE CICLO PROFUNDO

1. Dirija la máquina a una zona bien ventilada para cargar las baterías.

**⚠ ADVERTENCIA: Peligro de incendio o explosión. Las baterías emiten hidrógeno. Mantenga chispas y llamas alejadas de la máquina. Mantenga el compartimento de la batería abierto mientras realiza la operación de carga.**

2. Antes de cargar las baterías, compruebe el nivel de electrolito en cada elemento de la batería (Figura 27).

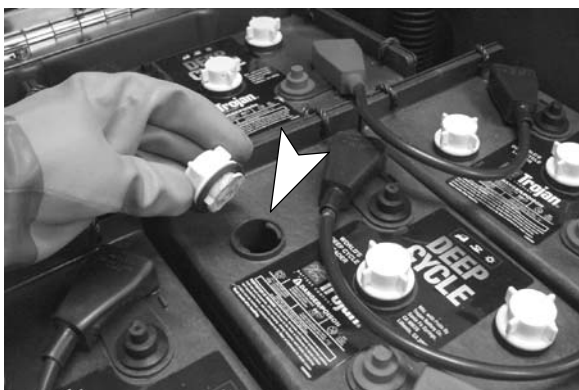


FIG. 27

**PARA SU SEGURIDAD: Al revisar la máquina, utilice guantes y gafas de protección cuando manipule las baterías y sus cables. Evite el contacto con el ácido de la batería.**

El nivel del electrolito (A) debe cubrir ligeramente los electrodos de la batería (B). Añada agua destilada si es necesario. **NO LLENE EN EXCESO**, el nivel del líquido puede expandirse y desbordarse al cargar. Coloque de nuevo las tapas de los elementos antes de la operación de carga (Figura 28).

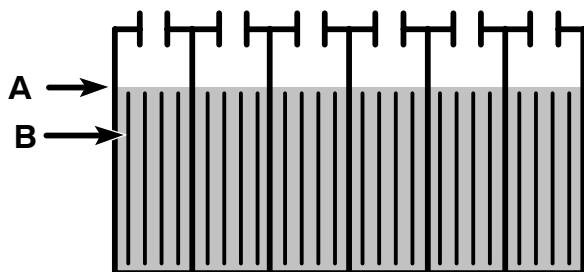


FIG. 28

3. Conecte el cable de alimentación eléctrica de CA del cargador a un enchufe con toma de tierra adecuada (Figura 29).

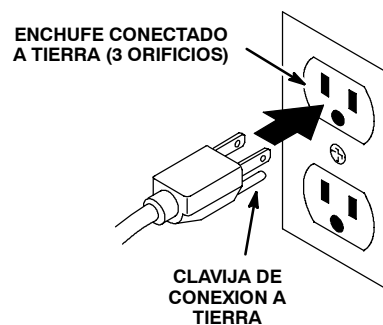


FIG. 29

4. Enchufe el conector de salida CC del cargador al conector de la batería situado cerca del compartimento de la batería (Figura 30).



FIG. 30

5. El cargador comenzará la carga automáticamente y se apagará cuando la carga sea completa.
6. Coloque el depósito de recuperación sobre su soporte para facilitar la ventilación durante la carga (Figura 31).

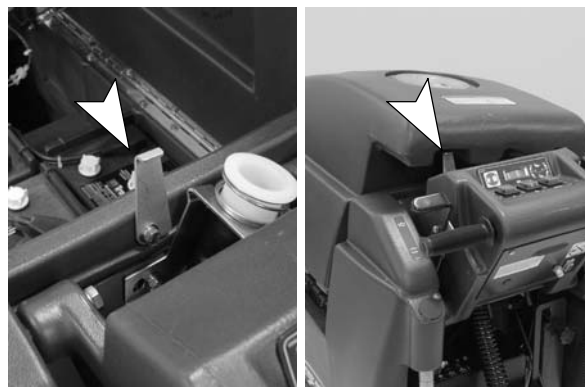


FIG. 31

**ATENCIÓN: No desenchufe del receptáculo de la máquina el cable de CC del cargador cuando esté en funcionamiento. Pueden producirse arcos voltaicos. Si es necesario interrumpir la carga, desenchufe el cable de alimentación de CA primero.**

# OPERACIÓN

**⚠ ADVERTENCIA: Peligro de incendio o explosión. Las baterías emiten hidrógeno. Mantenga chispas y llamas alejadas de la máquina. Mantenga el compartimento de la batería abierto mientras realiza la operación de carga.**

7. Baterías de plomo con ácido: Después de realizar la carga, compruebe el nivel del electrólito (A) de nuevo. El nivel debe estar a aproximadamente 1 cm de la parte inferior del orificio de llenado (B) (Figura 32). Añada agua destilada en caso necesario. **NO LLENE EN EXCESO.**

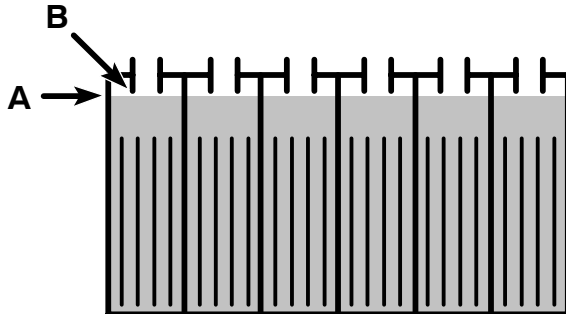


FIG. 32



FIG. 33

3. Vacíe y limpie los depósitos en profundidad. Después de aclarar los depósitos, desplace lateralmente el depósito de recuperación sobre su bisagra hasta poder ver el orificio de entrada de la aspiración situado en la parte posterior del depósito. En caso necesario retire los restos que puedan bloquear dicho orificio.
4. Levante la escobilla de goma y límpiela con un paño seco. Guarde la escobilla de goma en la posición elevada para evitar que resulte dañada.
5. Limpie el bastidor de la máquina con un limpiador no abrasivo que no contenga disolventes.

## MANTENIMIENTO DE LA MÁQUINA

Para mantener la máquina en buenas condiciones de funcionamiento bastará realizar las siguientes operaciones de mantenimiento diaria, mensual o trimestralmente.

**⚠ ADVERTENCIA: Peligro eléctrico. Desconecte los cables de la batería antes de realizar reparaciones en la máquina.**

### MANTENIMIENTO DIARIO (Después de cada uso)

1. Retire y limpie los cepillos o almohadillas. No utilice nunca almohadillas sucias durante las operaciones de limpieza. Sustituya las almohadillas cuando estén cargadas de residuos.
2. Retire y limpie la suciedad y las pelusas del filtro del flotador situado en el depósito de recuperación (Figura 33).

**PARA SU SEGURIDAD: Cuando limpie la máquina, no moje la máquina rociándola o utilizando una manguera. Pueden producirse fallos eléctricos.**

6. Modelo FaST: Conecte la manguera de alimentación FaST-PAK al tapón de almacenamiento cuando no se esté utilizando (Figura 34). Retire el concentrado resecado del conector de la manguera humedeciéndolo con agua caliente.

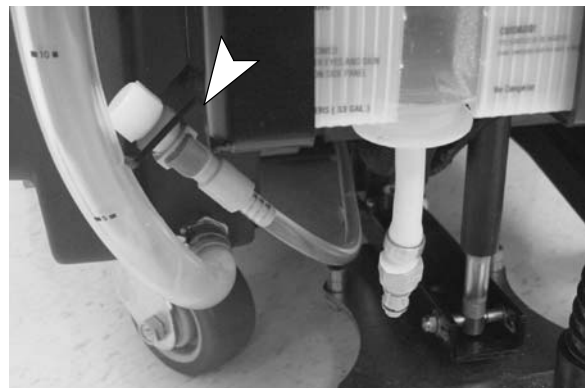


FIG. 34

7. Recargue las baterías después de haberlas utilizado durante un tiempo mínimo de 30 minutos (Consulte CARGA DE LAS BATERÍAS).

## MANTENIMIENTO MENSUAL (Cada 80 horas de uso)

1. Controle el nivel del agua de los elementos de la batería (Consulte el apartado de MANTENIMIENTO DE LAS BATERÍAS).
2. Limpie la parte superior de la batería para evitar la formación de corrosión (Consulte el apartado de MANTENIMIENTO DE LAS BATERÍAS).
3. Controle si los cables de la batería están sueltos u oxidados.
4. Modelo FaST: Abra la falda en el lado derecho, quite y limpie el filtro. Antes de extraer el filtro, asegúrese de que el depósito de la disolución está vacío (Figura 35).

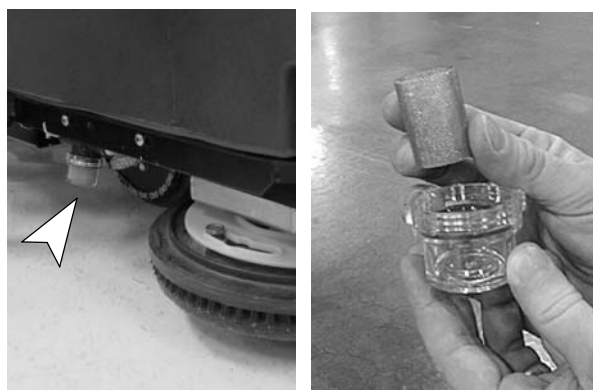


FIG. 35

5. Controle si la tensión de la cadena de impulsión es la apropiada y lubríquela con una grasa impermeable. Si necesita tensar la cadena consulte el apartado de MANTENIMIENTO DE LA CADENA DE IMPULSIÓN.
6. Lubrique los puntos de ajuste y el eje de la ruedecilla con una grasa impermeable.
7. Lubrique la conexión de los puntos pivotantes con un spray de silicona y cúbrala a continuación con una grasa impermeable para mantener un funcionamiento suave.
8. Controle que la máquina no presente escapes de agua ni tornillos ni tuercas flojos.

## MANTENIMIENTO TRIMESTRAL (Cada 250 horas de uso)

1. Controle el desgaste del cepillo de carbono del eje de transmisión, de los motores de aspiración y del cepillo, sustituya los cepillos cuando la longitud de sus cerdas sea igual o inferior a 10mm (0,38 pulg.). Póngase en contacto con el Centro de servicio autorizado para el mantenimiento de los motores.

Póngase en contacto con el Centro de servicio autorizado para el mantenimiento de los motores.

2. Modelo FaST: El tornillo saque el filtro de la bomba de aire. Limpie el filtro usando el aire presurizado. Para tener acceso a la bomba de aire, saque los dos tornillos de montaje que unen la bomba al frente de la máquina (Figura 36).

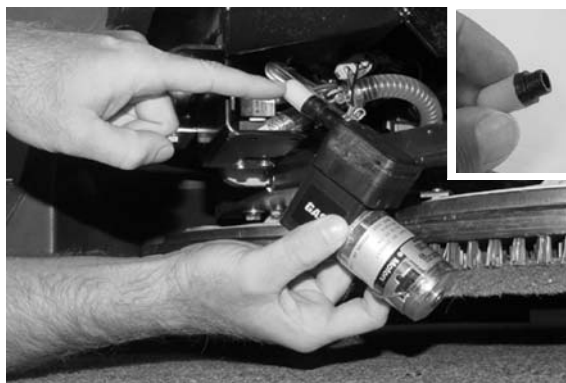


FIG. 36

## MANTENIMIENTO ANUAL (Cada 1000 horas de uso)

### Modelos FaST solamente:

Limpie o reemplace la placa perforada y el filtro situados dentro de la unidad inyectora de solución.

1. Para acceder al conjunto del inyector de la disolución, abra el compartimento de la batería. El conjunto del inyector está conectado a la bomba de la disolución (Figura 37).

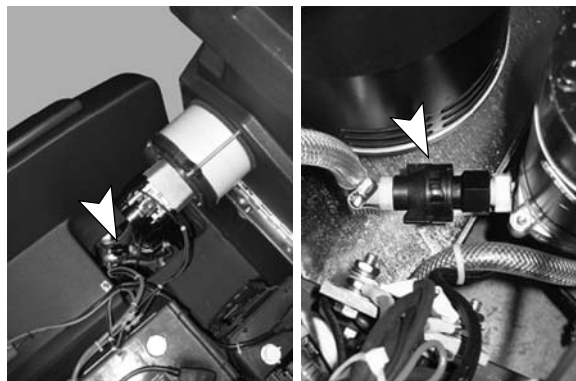


FIG. 37

# OPERACIÓN

- Abra la carcasa del filtro negro y limpie o cambie la placa perforada y el filtro (Figura 38).



FIG. 38

## MANTENIMIENTO DE LAS BATERÍAS

**⚠ ADVERTENCIA:** Peligro de incendio o explosión. Las baterías emiten hidrógeno. Mantenga chispas y llamas alejadas de la máquina. Mantenga el compartimento de la batería abierto mientras realiza la operación de carga.

**PARA SU SEGURIDAD:** Al revisar la máquina, utilice guantes y gafas de protección cuando manipule las baterías y sus cables. Evite el contacto con el ácido de la batería.

- Compruebe la densidad específica utilizando un densímetro para determinar el nivel de carga y el estado de las baterías (Figura 39). Si el valor de uno o más elementos de la batería es inferior al de los otros elementos de la batería (0,050 ó más), este elemento está deteriorado, en cortocircuito o a punto de fallar. Compare los valores obtenidos con el densímetro con los del siguiente esquema para determinar el nivel de carga que queda en la batería.

**NOTA:** No tome medidas inmediatamente después de añadir agua destilada. Si el agua y el ácido no están bien mezclados, es posible que el valor medido puede no sea correcto.

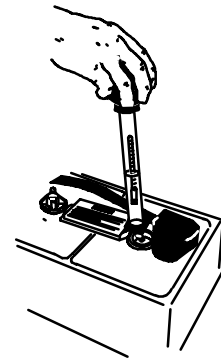


FIG. 39

DENSIDAD ESPECÍFICA a 27°C (80°F)	CARGA DE LA BATERÍA
1,265	100% DE CARGA
1,223	75% DE CARGA
1,185	50% DE CARGA
1,148	25% DE CARGA
1,110	DESCARGADA

**NOTA:** Si la temperatura del electrolito de la batería a la que se miden los valores no es de 27°C (80°F), deberá corregir el valor dependiendo de la temperatura. Sume o reste 0,004, 4 puntos, al valor de la densidad específica por cada 6°C (43°F) de diferencia por encima o debajo de 27°C (80°F).

- Siga siempre las instrucciones de la operación de carga (consulte CARGA DE LAS BATERÍAS).
- Controle el nivel de electrolito (A) en todos los elementos de las baterías después de realizar la operación de carga. El nivel debe estar a aproximadamente 1 cm de la parte inferior del orificio de llenado (B). Añada agua destilada en caso necesario (Figura 40). **NO LLENE EN EXCESO.**

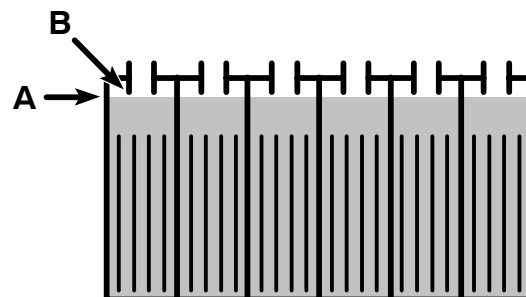


FIG. 40



- Mantenga limpias las partes superiores de las baterías para evitar la corrosión.

Limpieza de las baterías:

**PARA SU SEGURIDAD: Al revisar la máquina, utilice guantes y gafas de protección cuando manipule las baterías y sus cables. Evite el contacto con el ácido de la batería.**

- Haga una solución concentrada de bicarbonato y agua (Figura 41).



FIG. 41

- Rocíe ligeramente las partes superiores de las baterías y conectores de cables con la disolución.

**NOTA:** No permita que la solución de bicarbonato se introduzca en los elementos de las baterías.

- Utilice un cepillo de cerdas metálicas para limpiar los bornes y conectores de cables.
  - Después de la limpieza, aplique una capa de protector transparente de bornes de baterías a los bornes y conectores de cables.
- Controle si existen cables gastados o sueltos. Sustitúyalos si están gastados.

## MANTENIMIENTO DE LA CADENA DE IMPULSIÓN

**PARA SU SEGURIDAD: Antes de abandonar o revisar la máquina, deténgase en una superficie plana, apague la máquina.**

Examine la cadena impulsora para saber si hay la tensión apropiada. La cadena debe presentar una deformación del centro de 6,35mm a 12,7mm. Si la cadena se deforma más de 12,7mm debe tensar dicha cadena. Para tensar la cadena siga los pasos indicados a continuación:

- Coloque el interruptor principal en la posición de apagado y tire hacia fuera del botón del cortacircuitos principal.
- Localice y afloje los cuatro tornillos de fijación del motor a la derecha de la máquina desde el lado del operario. No extraiga los tornillos.

- Afloje la tuerca de bloqueo del tensor (Figura 42).

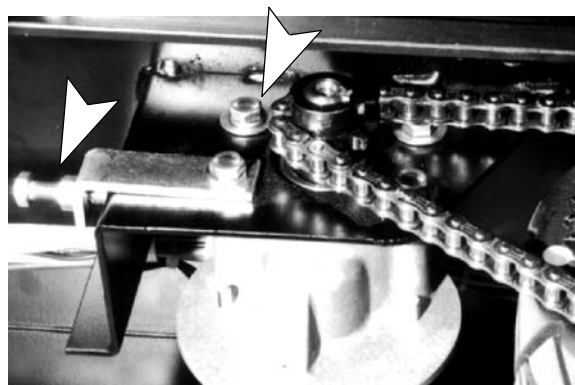


FIG. 42

- Gire el tensor en el sentido de las agujas del reloj hasta que se tense la cadena.
- Vuelva a apretar la tuerca de bloqueo y los 4 tornillos de fijación del motor.
- Lubrique la cadena con aceite impermeable.

## TRANSPORTE DE LA MÁQUINA

Cuando utilice un camión o remolque para transportar la máquina asegúrese de seguir los pasos siguientes para sujetar la máquina:

**ATENCIÓN: No utilice la máquina en pendientes a menos que esté presente el personal adecuado para ayudarle.**

- Retire la escobilla de goma de la máquina, levante el cabezal del cepillo. Deje instalados el cepillo o la almohadilla.
- Cargue la máquina utilizando la rampa de carga recomendada.
- Coloque la parte delantera de la máquina contra la parte delantera del remolque o camión. Una vez colocada la máquina, baje el cabezal del cepillo.
- Coloque un calzo detrás de la rueda tractora y de las ruedecillas traseras.
- Pase las cintas de sujeción por la parte superior de la máquina y sujételas al suelo del remolque o camión. Puede ser necesario el instalar varios soportes de sujeción en el suelo de su camión o remolque.

# OPERACIÓN

---

---

## ALMACENAMIENTO DE LA MÁQUINA

---

1. Antes de guardar la máquina asegúrese de aclarar los depósitos y vaciar el agua de la máquina.
2. Guarde la máquina en un sitio seco con las escobillas de goma quitadas y el impulsor de la almohadilla en posición elevada.
3. Retire la tapa del depósito de recuperación para facilitar la circulación de aire.
4. Cuando guarde la máquina por periodos cortos, levante el impulsor de la almohadilla y la escobilla de goma de manera que no toquen el suelo; esto evitará que se deterioren.

**ATENCIÓN:** Si guarda la máquina con temperaturas iguales o inferiores a 0°C, asegúrese de vaciar todo el agua de la misma. La garantía no cubre las averías causadas por heladas.

**ATENCIÓN:** No permita que la lluvia moje la máquina, guárdela en recintos cerrados.

---

## ARTÍCULOS RECOMENDADOS A MANTENER EN EXISTENCIA

---

Para los artículos recomendados a mantener en existencia, refiérase a la sección de Lista de Piezas. Los artículos para mantener en existencia están claramente identificados con una bala que precede a la descripción de las piezas. Vea el ejemplo de abajo:

Ref.	Part No.	Description	Qty.
1	701103	ASM., STANDPIPE	1
2	180618	●FLOAT, SHUTOFF	1
3	230197	NIPPLE	1
4	101714	●GASKET	1
5	210240	NUT, FLANGED	1

**LOCALIZACIÓN DE AVERÍAS**

<b>PROBLEMA</b>	<b>CAUSA</b>	<b>SOLUCIÓN</b>
No hay alimentación, no funciona nada.	Las baterías necesitan ser cargadas.	Consultar el apartado de CARGA DE LAS BATERÍAS.
	Batería(s) defectuosa(s).	Sustituir la(s) batería(s).
	Cable de la batería flojo.	Apretar los cables flojos.
	Las baterías están mal conectadas.	Consultar el apartado de INSTALACIÓN DE LAS BATERÍAS.
	Defectuoso principal interruptor.	Contactar con el Servicio Técnico.
	Cortacircuitos PRINCIPAL activado.	Determinar la causa y reajustar el botón del cortacircuitos.
El motor del cepillo no funciona.	Cortacircuitos del cepillo activado o se ha sacado.	Limpiar o sustituir el cepillo o la almohadilla y reajustar el cortacircuitos.
	Los mandos de control no están girados.	Girar los mandos de control.
	Cableado defectuoso o motor del cepillo averiado.	Contactar con el Servicio Técnico.
	Interruptor del cepillo defectuoso.	Contactar con el Servicio Técnico.
	Cepillos de carbón gastados.	Contactar con el Servicio Técnico.
	Solenoides defectuosos.	Contactar con el Servicio Técnico.
El motor de aspiración no funciona.	Cortacircuitos de aspiración activado.	Retirar la obstrucción y reajustar el cortacircuitos.
	Interruptor de aspiración defectuoso.	Contactar con el Servicio Técnico.
	Cableado defectuoso o motor de aspiración averiado.	Contactar con el Servicio Técnico.
	Solenoides defectuosos.	Contactar con el Servicio Técnico.
	Cepillos de carbón gastados.	Contactar con el Servicio Técnico.
Tiempo de funcionamiento demasiado corto.	Las baterías no están totalmente cargadas.	Cargar las baterías.
	Elemento defectuoso en una o más baterías.	Sustituir la batería.
	Las baterías necesitan una revisión.	Consultar el apartado de MANTENIMIENTO DE LA BATERÍAS.
	Cargador defectuoso.	Sustituir el cargador.
Funcionamiento defectuoso de las escobilla de goma.	Depósito de recuperación lleno.	Vaciar el depósito de recuperación.
	Filtro del flotador de cierre del depósito de recuperación obstruido.	Extraer el filtro y limpiarlo.
	Escobilla de goma bloqueada por restos.	Limpiar la escobilla de goma.
	Láminas de la escobilla de goma gastadas.	Sustituir las láminas de la escobilla de goma.
	Tornillos de orejas de la escobilla de goma flojos.	Apretar los tornillos de orejas.

# OPERACIÓN

## LOCALIZACIÓN DE AVERÍAS - continuación

PROBLEMA	CAUSA	SOLUCIÓN
Funcionamiento defectuoso de las escobilla de goma - continuación.	Conexiones de la manguera de aspiración sueltas o la manguera está perforada.	Introducir bien la manguera de aspiración en sus conexiones. Sustituir la manguera si está dañada.
	Manguera de aspiración bloqueada por restos.	Retirar los restos que la bloquean.
	Entrada al depósito de recuperación bloqueada. La entrada se encuentra en la parte inferior del depósito de recuperación.	Vaciar el depósito de recuperación y levantarlo lateralmente para localizar el orificio de entrada, retirar los restos que bloquean dicho orificio.
	Junta del depósito defectuosa.	Sustituir la junta del depósito.
	Tapón de la manguera de vaciado mal cerrado.	Cerrar bien el tapón de vaciado.
	Tapa transparente del depósito de recuperación floja.	Cerrar bien la tapa.
	Motor de aspiración flojo.	Contactar con el Servicio Técnico.
	Batería poco cargada.	Cargar las baterías. No utilizar la máquina cuando la aguja indicadora del nivel de carga de la batería se encuentra en la zona roja.
El motor de impulsión no funciona.	Cortacircuitos PRINCIPAL activado.	Determinar la causa y reajustar el cortacircuitos.
	Defectuoso principal interruptor.	Contactar con el Servicio Técnico.
	Tarjeta de control de la velocidad o su conexión defectuosas.	Contactar con el Servicio Técnico.
	Solenoides defectuosos.	Contactar con el Servicio Técnico.
	Cableado defectuoso.	Contactar con el Servicio Técnico.
	Motor de impulsión defectuoso.	Contactar con el Servicio Técnico.
	Cepillos de carbón gastados.	Contactar con el Servicio Técnico.
El motor de impulsión funciona pero no correctamente.	Potenciómetro o tarjeta de control de la velocidad defectuosos.	Contactar con el Servicio Técnico.
	Resistencia defectuosa.	Contactar con el Servicio Técnico.
El flujo de la disolución es insuficiente o nulo.	La palanca del flujo de la disolución no ha sido activada.	Empujar la palanca del flujo de la disolución hacia delante.
	Tubería o filtro de la disolución bloqueadas.	Extraer la manguera y limpiarla con aire comprimido. Para evitar que se vuelva a bloquear aclarar el depósito de la disolución con agua limpia después de cada uso.
	Válvula de la disolución bloqueada.	Extraer la válvula y limpiarla. No raye ni dañe el interior de la válvula.
	Es necesario ajustar el botón de ajuste el flujo de la disolución.	Girar el botón del flujo de la disolución en el sentido de las agujas del reloj para incrementar dicho flujo.
Las luces de seguridad no funcionan.	Bombilla fundida.	Contactar con el Servicio Técnico.

**LOCALIZACIÓN DE AVERÍAS - continuación**

<b>PROBLEMA</b>	<b>CAUSA</b>	<b>SOLUCIÓN</b>
Modelo FaST: El sistema FaST no funciona o no lo hace correctamente.	La palanca de la solución no se tira.	Tire totalmente hacia atrás la palanca del flujo de la disolución
	No se ha seleccionado el conmutador de Scrub Mode en FaST Scrub.	Seleccione el modo de FaST Scrub.
	Se ha activado el interruptor de circuito FaST.	Determine la causa y regadúe el botón del interruptor de circuito de 10A.
	La manguera de alimentación y/o los conectores del FaST-PAK están taponados.	Empape el conector y la manguera en agua tibia y limpia.
	La caja de FaST-PAK está vacía o no conectada.	Reemplace la caja FaST-PAK y/o conecte la manguera de alimentación.
	El orificio de control de flujo está taponado.	Extraiga el orificio, limpie y vuelva a instalar (refiérase al diagrama de lista de piezas).
	El conmutador de modo de limpieza es defectuoso.	Consulte con el Centro de Servicio.
	La bomba o el compresor de aire son defectuosos.	Consulte con el Centro de Servicio.
El filtro del tanque de solución está taponado.	Drene el tanque de solución. Extraiga el filtro del tanque de solución, limpie y vuelva a instalar.	

# OPERACIÓN

## ESPECIFICACIONES

MODELO	SPEED SCRUB 2701	SPEED SCRUB 3301
LONGITUD	1500 mm (59 pulg.)	1500 mm (59 pulg.)
ANCHURA	740 mm (29 pulg.)	890 mm (35 pulg.)
ALTURA	1040 mm (41 pulg.)	1040 mm (41 pulg.)
PESO - CON BATERÍAS	352kg (760 lbs)	355kg (765 lbs)
CAPACIDAD DE LOS DEPÓSITOS	102 L (27 Gal)	102 L (27 Gal)
CONTROL DE LA VELOCIDAD	Variable delante/detrás	Variable delante/detrás
VELOCIDAD DE LIMPIEZA (MAX.)	2787 m <sup>2</sup> /h (30,000 sq. ft./h)	3251 m <sup>2</sup> /h (35,000 sq. ft./h)
ANCHURA DEL CARRIL DE LIMPIEZA	680 mm (27 pulg.)	830 mm (33 pulg.)
DIÁMETRO DE LA ALMOHADILLA	2 - 355 mm (14 pulg.)	2 - 430 mm (17 pulg.)
ANCHURA DE LA ESCOBILLA DE GOMA	965 mm (38 pulg.)	1067 mm (42 pulg.)
MOTOR DE IMPULSIÓN	0.5 cv, 0-1800 rpm, 24V, 10A	0.5 cv, 0-1800 rpm, 24V, 10A
MOTOR DEL CEPILLO	2 - 0.75 cv, 220 rpm, 24V, 20A, 550W	2 - 0.75 cv, 220 rpm, 24V, 20A, 550W
MOTOR DE ASPIRACIÓN	0.75 cv, 3-fases 5,7", 24V, 21A, 550W	0.75 cv, 3-fases 5,7", 24V, 21A, 550W
ELEVACIÓN DEL AGUA	1720 mm (68 pulg.)	1720 mm (68 pulg.)
BATERÍAS	4-305 amp/hora 6 v ciclo	4-305 amp/hora 6 v ciclo
AUTONOMÍA POR CARGA	4.76 horas	4.76 horas
NIVEL DE RUIDO EN DECIBELIOS A LA ALTURA DEL OPERARIO EN RECINTO CERRADO CON SUELO DE BALDOSAS.	<70dB(A)	<70dB(A)

SISTEMA FaST (Modelo FaST)	
VELOCIDAD DE FLUJO DE SOLUCIÓN	24 Volt DC, 3.5 A, 45 psi
BOMBA DE SOLUCIÓN	0.68 LPM (0.18 GPM)
BOMBA DE AGENTE FaST PAK	24 Volt, 24 Watts
VELOCIDAD DE FLUJO DE CONCENTRADO	0.80 CC/Minuto (0.02 Onzas/Minuto)
RELACION DE DILUCION ENTRE CONCENTRADO Y AGUA	1:850
COMPRESOR DE AIRE	24 Volt DC, 0.6 A
VELOCIDAD DE FLUJO DEL COMPRESOR DE AIRE	8.7 LPM (0.3 CFM)

Ce manuel est fourni avec chaque nouveau modèle. Il fournit les instructions nécessaires au fonctionnement et à l'entretien.

**Lisez complètement ce manuel et familiarisez-vous avec la machine avant de l'utiliser ou de l'entretenir.**

Une liste complète de pièces détachées avec illustrations accompagne également chaque nouveau modèle. Utilisez la liste de pièces détachées pour commander des pièces de rechange. Avant de commander des pièces ou des fournitures, soyez sûr d'avoir avec vous le numéro de modèle de la machine et le numéro de série. Les pièces et les fournitures se commandent par téléphone ou par courrier auprès de tout centre de dépannage agréé, de tout distributeur ou de l'une des filiales du fabricant.

Cette machine vous fournira d'excellents services. Toutefois, vous obtiendrez les meilleurs résultats pour un prix de revient minimum si:

- La machine est manipulée avec un certain soin.
- La machine fait l'objet d'un entretien régulier conformément aux instructions d'entretien de ce manuel.
- L'entretien de la machine est effectué avec des pièces fournies par le fabricant ou des pièces équivalentes.

## DONNÉES DE LA MACHINE

A remplir au moment de l'installation à titre de référence.

Modèle n° \_\_\_\_\_

Date d'installation - \_\_\_\_\_

N° série - \_\_\_\_\_



### PROTECTION DE L'ENVIRONNEMENT

Veillez éliminer les matériaux d'emballage, les composants d'anciennes machines comme les batteries, les fluides dangereux tels que l'antigel ou l'huile, d'une manière sûre au point de vue environnemental, suivant la réglementation locale en vigueur en matière d'élimination des déchets.

N'oubliez pas de toujours recycler.



## TABLE DES MATIÈRES

---

<b>MESURES DE SÉCURITÉ</b> .....	<b>49</b>	<b>TRANSPORT DE LA MACHINE</b> .....	<b>66</b>
<b>ÉTIQUETTES DE MISE EN GARDE</b> .....	<b>51</b>	<b>RANGEMENT DE LA MACHINE</b> .....	<b>66</b>
<b>COMPOSANTS DE LA MACHINE</b> .....	<b>52</b>	<b>PIECES DE STOCK</b>	
<b>ASSEMBLAGE DE LA MACHINE</b> .....	<b>53</b>	<b>RECOMMANDEES</b> .....	<b>66</b>
DÉBALLAGE DE LA MACHINE .....	53	<b>DEPISTAGE DES PANNES</b> .....	<b>67</b>
MISE EN PLACE DES BATTERIES .....	53	<b>SPECIFICATIONS</b> .....	<b>70</b>
<b>MISE EN SERVICE DE LA MACHINE</b> .....	<b>54</b>	<b>SYSTÈM ÉLECTRIQUE</b> .....	<b>71</b>
FIXATION DU BLOC DE RACLOIR .....	54	<b>LISTE DES PIÈCES</b> .....	<b>72</b>
MISE EN PLACE DE LA BROSSE OU DES		GROUPE REMPLACEMENT DES BROSSES ET	
SYSTÈMES D'ENTRAÎNEMENT		DU PIGNON MENANT DE PATIN .....	72
DES PATINS .....	54	GROUPE RESERVOIR DE RECUPERATION	74
INSTALLATION DE L'AGENT FaST-PAK		GROUPE DU CHASSIS .....	76
(MODÈLE FaST) .....	56	GROUPE TABLEAU DE COMMANDE .....	78
REMPLISSAGE DU RÉSERVOIR		GROUPE TABLEAU DE COMMANDE -	
DE SOLUTION .....	56	MODÈLE FaST .....	80
<b>UTILISATION DE LA MACHINE</b> .....	<b>57</b>	GROUPE DES LEVIERS .....	82
CONTRÔLES AVANT LA MISE EN SERVICE	57	GROUPE TABLEAU D'ELECTRIQUE .....	84
ACTIONNEMENT DE LA MACHINE .....	57	GROUPE TABLEAU D'ELECTRIQUE -	
UTILISATION DU SYSTÈME FaST SCRUB		MODÈLE FaST .....	86
(MODÈLE FaST) .....	59	GROUPE ROUE ENTRAINEMENT .....	88
PENDANT LE FONCTIONNEMENT DE		COMMANDE DE GROUPE DES BROSSES ET	
LA MACHINE .....	59	DU TUYAU DE SOLUTION .....	90
COUPE-CIRCUITS .....	60	GROUPE DE SOLUTION - MODÈLE FaST	92
<b>VIDANGE DES RESERVOIRS</b> .....	<b>61</b>	GROUPE SOUFLET JUPE - MODÈLE 2701	94
VIDANGE DU RÉSERVOIR DE		GROUPE SOUFLET JUPE - MODÈLE 3301	95
RÉCUPÉRATION .....	61	GROUPE DE LA RACLETTE .....	96
DRAINING SOLUTION TANK .....	61	GROUPE DE LA RACLETTE -	
<b>CHARGE DES BATTERIES</b> .....	<b>61</b>	MODÈLE 2701 .....	98
<b>ENTRETIEN DE LA MACHINE</b> .....	<b>63</b>	GROUPE DE LA RACLETTE -	
ENTRETIEN QUOTIDIEN .....	63	MODÈLE 3301 .....	100
ENTRETIEN MENSUEL .....	64	<b>ÉQUIPEMENT AU CHOIX</b> .....	<b>103</b>
ENTRETIEN TRIMESTRIEL .....	64	PANNE DE POMPE A SOLUTION .....	102
ENTRETIEN ANNUEL .....	64	PANNE DE POMPE A AIR .....	102
ENTRETIEN DES BATTERIES .....	65	GROUPE RACLOIR AUXILIAIRE	
ENTRETIEN DE LA CHÂÎNE		D'EXTRACTION .....	103
D'ENTRAÎNEMENT .....	66	ES GRUPE DE SOLUTION .....	105



## MESURES DE SÉCURITÉ

Cette machine est conçue pour un usage commercial. Elle est destinée exclusivement à nettoyer les sols intérieurs à surface dure et ne convient pas à un quelconque autre usage. Utilisez uniquement des patins, des brosses et des produits nettoyants pour sols disponibles dans le commerce, prévus pour l'application de la machine.

Tous les opérateurs sont tenus de lire et comprendre les consignes de sécurité suivantes et de se familiariser avec celles-ci.

Le symbole de mise en garde suivant et l'en-tête « POUR VOTRE SECURITE » sont utilisés tout au long de ce manuel comme indiqué dans leur description:

**⚠ MISE EN GARDE** : identifie la présence de dangers ou les opérations dangereuses susceptibles de blesser grièvement ou de provoquer la mort.

**POUR VOTRE SECURITÉ** : identifie les instructions qui doivent être suivies afin de garantir la sécurité lors de l'utilisation de l'équipement.

Le fait de ne pas respecter ces avertissements peut entraîner des blessures, un choc électrique, un incendie ou une explosion.

**⚠ MISE EN GARDE** : danger d'incendie ou d'explosion:

- N'utilisez jamais de liquides inflammables ou n'utilisez pas la machine dans ou près de liquides ou vapeurs inflammables ou de poussières combustibles.  
*Cette machine n'est pas équipée de moteurs protégés contre les explosions. Les moteurs électriques émettent des étincelles au moment du démarrage et pendant leur fonctionnement, ce qui peut entraîner un incendie instantané ou une explosion si la machine est utilisée dans une zone où des vapeurs/liquides inflammables ou des poussières combustibles, sont présents.*
- Ne ramassez pas de matériaux inflammables ou de métaux réactifs.
- Les batteries émettent du gaz hydrogène. Evitez toute étincelle et toute flamme nue à proximité des batteries. Laissez ouvert le compartiment des batteries pendant la mise en charge.

**⚠ MISE EN GARDE** : danger de choc électrique. Débranchez les câbles de la batterie avant l'entretien ou la réparation de la machine.

Les signaux d'information ci-après indiquent les situations potentiellement dangereuses pour l'opérateur ou l'équipement:

**POUR VOTRE SECURITÉ:**

1. N'utilisez pas la machine:
  - avec des liquides inflammables ou près de vapeurs inflammables, afin d'éviter le risque d'explosion ou d'incendie instantané.
  - Si vous n'y êtes pas formé et autorisé.
  - Avant d'avoir lu et compris le manuel opérateur.
  - Avant d'avoir lu et compris le manuel opérateur.
2. Avant d'utiliser la machine:
  - Assurez-vous que tous les dispositifs de sécurité se trouvent à leur place et fonctionnent correctement.
3. Lors de l'utilisation de la machine:
  - Roulez lentement sur les pentes et sur les surfaces glissantes.
  - Portez des chaussures antidérapantes..
  - Réduisez la vitesse dans les tournants.
  - Signalez immédiatement tout dommage occasionné à la machine ou tout mauvais fonctionnement.
  - Empêchez les enfants de jouer à proximité de la machine.
  - Suivez les instructions de mélange et de manipulation indiquées sur les conteneurs chimiques.
4. Avant de quitter ou d'entretenir la machine:
  - Arrêtez la machine sur une surface horizontale.
  - Coupez le contact de la machine.
5. Lors de l'entretien de la machine:
  - Évitez les pièces mobiles. Ne portez pas de veste ou de chemise large ou de manches amples.
  - Bloquez les roues de la machine avant de la soulever avec un cric.
  - Utilisez un levier ou cric pouvant supporter le poids de la machine.
  - Déconnectez les cosses des batteries avant de travailler sur la machine.
  - Portez des gants et des lunettes de protection lorsque vous maniez les batteries ou les câbles de batteries.

# FONCTIONNEMENT

---

- Évitez tout contact avec l'acide des batteries.
  - N'utilisez pas de jet de pression sur la machine. Un dysfonctionnement électrique risque de se produire.
  - Utilisez des pièces de rechanges fournies ou agréées par le fabricant.
  - Toutes les réparations doivent être effectuées uniquement par un technicien qualifié.
  - Ne modifiez pas le design d'origine de la machine.
6. Lors du transport de la machine:
- Coupez le contact de la machine.
  - Ne soulevez pas la machine lorsque les batteries sont installées.
  - Demandez de l'aide pour soulever la machine.
  - Lorsque vous chargez la machine sur le camion ou la remorque ou lorsque vous la déchargez, utilisez une rampe recommandée.
  - Utilisez des sangles pour arrimer la machine sur le camion ou la remorque.

ÉTIQUETTES DE MISE EN GARDE

Les étiquettes de mise en garde se trouvent sur la machine aux endroits indiqués. Remplacez les étiquettes lorsqu'elles sont endommagées ou qu'elles deviennent illisibles.

ÉTIQUETTE MISE EN GARDE - SITUÉE AU-DESSUS DE LA MACHINE.

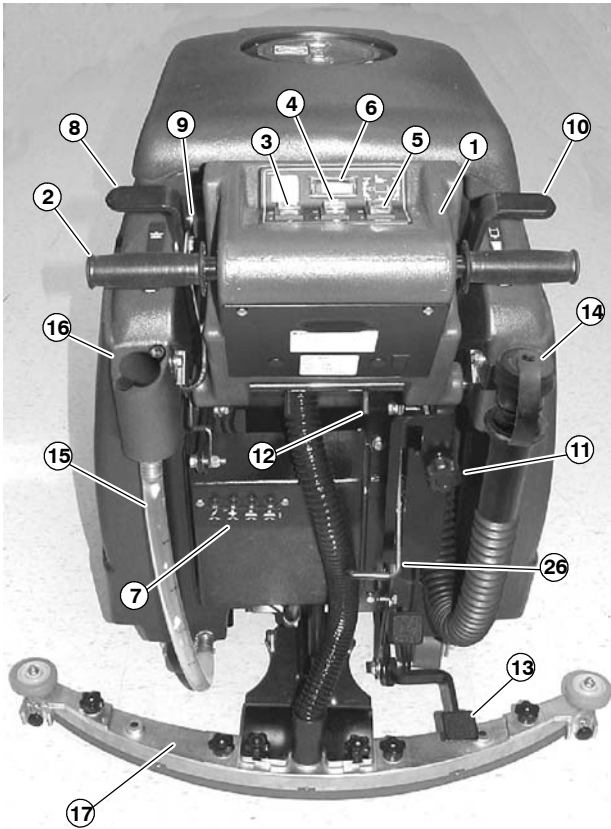
	<b>⚠ WARNING</b>	<b>⚠ AVERTISSEMENT</b>	<b>⚠ ADVERTENCIA</b>
   	<b>EXPLOSION, FIRE AND SHOCK HAZARD. AVOID INJURY.</b> <ul style="list-style-type: none"> <li>• Do Not Use or Pick Up Flammable Materials.</li> <li>• Do Not Use Near Flammable Liquids, Vapors or Combustible Dusts.</li> <li>• Keep Sparks and Open Flame Away When Charging Batteries. Keep Battery Hood Open When Charging.</li> <li>• Disconnect Battery Cables and Charger Cord Before Servicing.</li> </ul>	<b>RISQUE D'EXPLOSION, D'INCENDIE ET DE DÉCHARGE. ÉVITEZ LES BLESSURES.</b> <ul style="list-style-type: none"> <li>• N'utilisez Pas ou Ne Ramassez Pas de Matériaux Inflammables.</li> <li>• N'utilisez Pas Près de Liquides, Vapeurs ou Poussières Inflammables.</li> <li>• Éloignez les Sources d'Étincelles ou de Flamme Ouverte Lors du Chargement des Batteries. Laissez Ouvert le Capot du Compartiment des Batteries Lors de la Mise en Charge.</li> <li>• Débranchez les Câbles de Batterie et la Cordon du Chargeur Avant l'Entretien.</li> </ul>	<b>PELIGRO DE EXPLOSIÓN, FUEGO, DESCARGA EVITE LESIONES.</b> <ul style="list-style-type: none"> <li>• No Use Ó Recoja Materiales Flammables.</li> <li>• No Use Cerca De Líquidos Flammables, Vapores Ó Materiales Combustibles.</li> <li>• Mantenga Chispas Y Fuego Alejados Mientras Carga Baterías. Mantenga Tapa De Batería Abierta Mientras Carga.</li> <li>• Desconecte Cable De Batería Y Cable Del Cargador Antes Del Mantenimiento.</li> </ul>
			1026386



ÉTIQUETTE CHARGE DE BATTERIE – SITUÉE SUR LA FACE INFÉRIEURE DU RÉSERVOIR DE RÉCUPÉRATION.

**⚠ MISE EN GARDE: danger d'incendie ou d'explosion. Les batteries émettent du gaz hydrogène. Evitez toute étincelle et toute flamme nue à proximité des batteries. Laissez ouvert le compartiment des batteries pendant la mise en charge.**

## COMPOSANTS DE LA MACHINE



### FaST Modèle



1. Panneau de commande
2. Poignées de commande
3. Bouton principal marche-arrêt
4. Bouton d'activation/de désactivation de l'extracteur
5. Bouton d'activation/de désactivation de la brosse
6. Appareil de mesure de la charge des batteries
7. Panneau des coupe-circuits
8. Levier de levage du raclor
9. Levier de relâchement du raclor
10. Levier de distribution de la solution
11. Bouton de réglage du débit de la solution
12. Commandes du panneau de commande réglable
13. Pédale de la brosse
14. Tuyau de vidange du réservoir de récupération
15. Tuyau de vidange du réservoir de solution à graduations en gallons
16. Porte de remplissage arrière
17. Bloc raclor
18. Réservoir de récupération
19. Couvercle du réservoir de récupération
20. Porte de remplissage du réservoir de solution
21. Lampes de sécurité
22. Roulettes arrière
23. Logement de la jupe
24. Jupe de la tête de nettoyage

25. Roulettes de mur
26. Levier de réglage de la pression de la brosse
27. Commutateur Brossage FaST/Brossage conventionnel (Modèle FaST)
28. Système de diffusion FaST-PAK (Modèle FaST)

## ASSEMBLAGE DE LA MACHINE

### DÉBALLAGE DE LA MACHINE

1. Vérifiez soigneusement si le carton ne présente pas de traces d'endommagement. Signalez directement tout dommage au transporteur.
2. Vérifiez le contenu du carton pour vous assurer que tous les accessoires sont présents. Le racloir est emballé avec la machine.

Contents:

- 4 batteries 6 V - En option
- 1 chargeur de batterie - En option
- 1 plaque de batterie (#100707)
- 3 câbles de batterie (#130367)
- 1 paquet de concentré FaST-PAK (Modèle FaST)
- 1 bloc de racloir

*Les brosses, les systèmes d'entraînement de patin et les patins doivent être achetés séparément.*

3. Pour déballer la machine, enlevez les sangles et relevez la tête de la brosse. Pour ce faire, appuyez fermement sur la pédale inférieure de la brosse jusqu'à ce que la pédale se bloque en position relevée. Soulevez avec précaution ou fabriquez une rampe avec les cartons de la boîte pour enlever la machine de la palette.

**ATTENTION: Ne faites pas rouler la machine de la palette pour éviter de l'endommager.**

**ATTENTION: afin d'éviter le risque d'endommagement de la machine, installez les batteries après avoir retiré la machine de la palette d'expédition.**

### MISE EN PLACE DES BATTERIES

**⚠ ATTENTION: Les batteries émettent de l'hydrogène qui est un gaz susceptible d'exploser ou de s'enflammer. Evitez toute étincelle et toute flamme nue.**

**POUR VOTRE SECURITÉ: L'acide des batteries peut occasionner des brûlures. Protégez-vous les mains et les yeux lorsque vous entretenez les batteries.**

#### Spécifications des batteries:

Quatre batteries de 6 volts, cycle intensif. Part Number #606991. Dimensions maximum des batteries: 178mm (7 in.) W x 308mm (12.13 in.) L x 356mm (14 in.) H.

1. Tournez tous les commutateurs en position OFF et tirez sur le bouton du coupe-circuit (10 A) comme illustré (Figure 1).

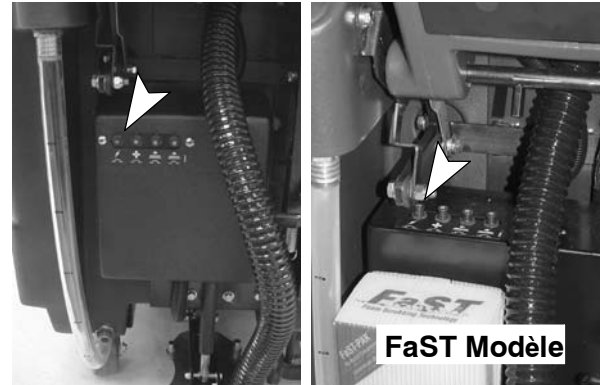


FIG. 1

**ATTENTION: Pour empêcher des moteurs de démarrer accidentel, soyez sûr de retirer le bouton principal de disjoncteur avant d'installer des batteries.**

2. Faites pivoter avec précaution le réservoir de récupération sur le côté pour accéder au compartiment des batteries. Enlevez le câble de batterie qui est déconnecté (Figure 2).



FIG. 2

3. Déposez avec précaution les batteries dans le compartiment et connectez les bornes comme illustré (Figure 3).

**ATTENTION: ne laissez pas tomber les batteries dans le compartiment, afin d'éviter d'endommager les batteries et le châssis de la machine.**

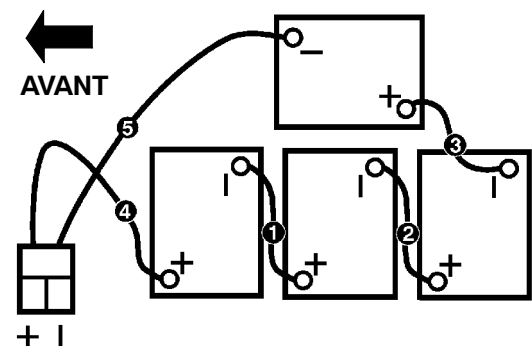


FIG. 3

## FONCTIONNEMENT

4. Avant de connecter les câbles de batterie, veillez à ce que les bornes et les cosses soient propres. Si nécessaire, utilisez un nettoyant pour cosses et une brosse métallique.

**REMARQUE:** Appliquez un enduit léger de graisse non métallique ou de jet protecteur sur les jonctions de câble pour empêcher la corrosion de batterie.

5. Branchez les câbles aux bornes de batteries suivant l'ordre des numéros indiqués sur les étiquettes. (ROUGE SUR BORNE POSITIVE ET NOIR SUR BORNE NEGATIVE) (Figure 3).
6. Vérifiez les connexions des câbles avant de refermer le compartiment des batteries.
7. Réenclenchez le bouton du coupe-circuit principal.
8. Mettez le contact, mettez le bouton principal sur la position marche et vérifiez le niveau de charge des batteries pour vous assurer que les batteries sont complètement chargées. Si les batteries doivent être chargées, reportez-vous à CHARGE DES BATTERIES.

## MISE EN SERVICE DE LA MACHINE

### FIXATION DU BLOC DE RACLOIR

1. Tournez le commutateur principal en position OFF.

**POUR VOTRE SECURITÉ:** Avant de quitter ou d'entretenir la machine, arrêtez-la sur une surface horizontale, coupez le contact.

2. Tirez sur le levier de soulèvement du racloir, pour soulever la bride de montage du racloir (Figure 4).

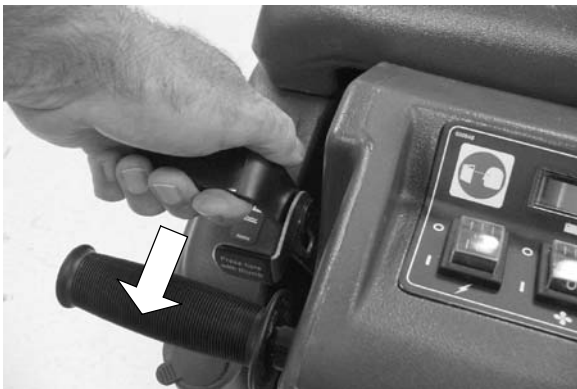


FIG. 4

3. Desserrez les deux molettes qui se trouvent sur racloir et faites glisser le racloir dans les fentes situées à l'arrière de la bride de fixation du racloir. (Figure 5).

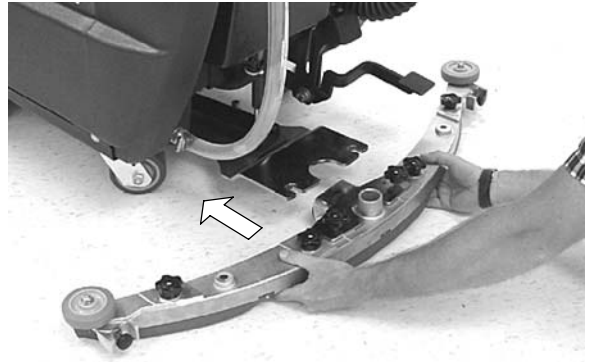


FIG. 5

4. Resserrez fermement les molettes.
5. Branchez le tuyau d'aspiration de la machine sur le bloc de racloir (Figure 6).

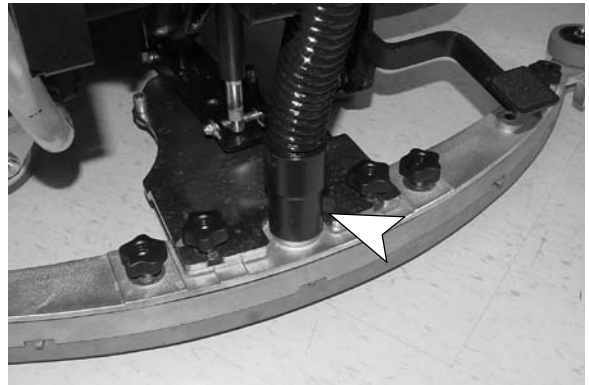


FIG. 6

### MISE EN PLACE DE LA BROSSE OU DES SYSTÈMES D'ENTRAÎNEMENT DES PATINS

1. Tournez le commutateur principal en position OFF et tirez sur le bouton du coupe-circuit principal.

**POUR VOTRE SECURITE:** Pour éviter toute mise en marche accidentelle, veillez à retirer la clé du contact avant de mettre en place la brosse ou les systèmes d'entraînement des patins.

**ATTENTION:** Pour empêcher commencer accidentel, retirez le bouton principal de disjoncteur avant d'installer des conducteurs de brosse ou de garniture. Le bouton de disjoncteur est situé à l'arrière du logement de commande.

2. Soulevez la tête de la brosse en appuyant fermement sur la pédale inférieure de la brosse (Figure 7).



FIG. 7

3. Défaites le loquet noir à l'avant de la machine et ouvrez le logement de la jupe pour accéder au moyeu du moteur (Figure 8).

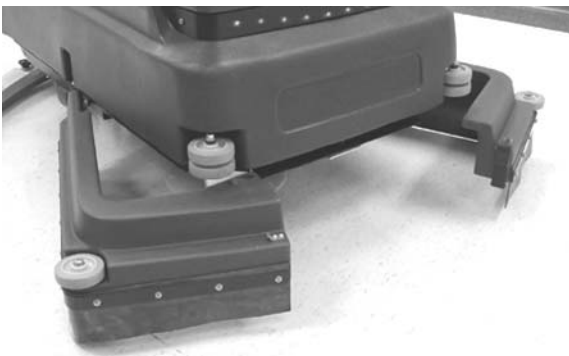


FIG. 8

4. Sélectionnez le patin ou la brosse recommandé(e) qui répond au mieux à vos besoins.

**REMARQUE:** Consultez votre distributeur agréé pour vous aider à choisir le patin ou la brosse adéquat(e) répondant à vos besoins particuliers.

5. **(Mise en place du patin)** Fixez les patins aux systèmes d'entraînement des patins avant d'attacher les systèmes d'entraînement des patins au moyeu du moteur. Pour attacher le patin au système d'entraînement, enlevez le dispositif de blocage central en plastique du système d'entraînement du patin. Positionnez le patin sur le système d'entraînement du patin et remettez le dispositif de blocage en place (Figure 9).



FIG. 9

6. Fixez la brosse ou les systèmes d'entraînement des patins sur le moyeu du moteur. Mettez les (3) ergots en face des fentes du moyeu du moteur. Faites faire un tour rapide au système d'entraînement en direction de l'attache à ressort qui se trouve sur le moyeu du moteur. Vérifiez si le système d'entraînement du patin est bien fixé et si l'attache à ressort est bloquée dans un des ergots du système d'entraînement avant d'utiliser la machine (Figure 10).

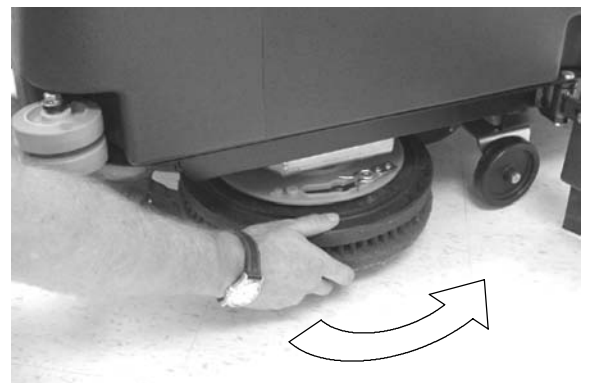


FIG. 10

**REMARQUE :** Veillez toujours à ce que les surfaces du système d'entraînement du patin et du moyeu du moteur soient propres avant de mettre en place les systèmes d'entraînement afin de faciliter le démontage des systèmes d'entraînement des patins.

7. Refermez le logement de la jupe et remettez l'attache.

## INSTALLATION DE L'AGENT FaST-PAK (MODÈLE FaST)

1. Retirez l'éjecteur perforé du carton de concentré FaST-PAK. N'enlevez pas le sac du carton. Tirez le raccord de tuyau au travers de l'éjecteur et retirez le bouchon orange (Figure 11).

**ATTENTION : la formule de concentré FaST-PAK a été spécialement conçue pour le système FaST. N'utilisez JAMAIS un produit de substitution, ceci provoquera l'endommagement de la machine.**

**POUR VOTRE SECURITÉ : lorsque vous utilisez la machine, suivez toujours les instructions de manipulation indiquées sur le conteneur chimique.**

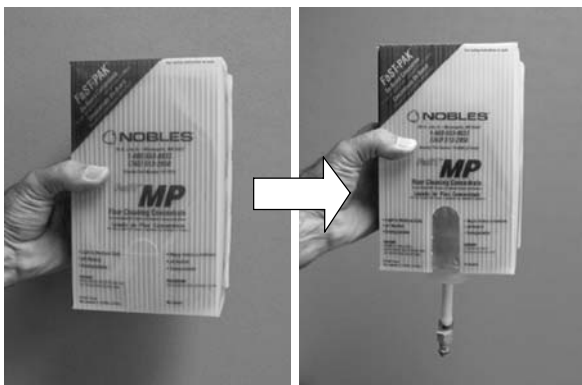


FIG. 11

2. Placez le carton de FaST PAK dans le support de carton situé à l'arrière de la machine et branchez le tuyau d'alimentation sur le sac FaST PAK (Figure 12).

**REMARQUE:** si du concentré séché est visible sur le raccord du tuyau d'alimentation ou sur le raccord FaST-PAK, trempez-les dans l'eau chaude et nettoyez-les.

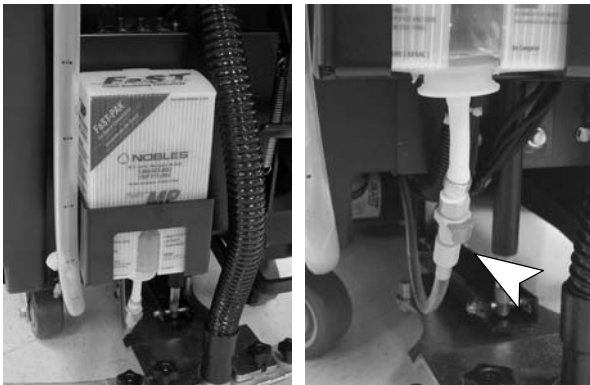


FIG. 12

3. Veillez à brancher le tuyau d'alimentation sur le bouchon de stockage du tuyau, quand celui-ci n'est pas utilisé (Figure 13). Ceci permet d'éviter que le système de solution FaST sèche et obstrue le tuyau d'alimentation.

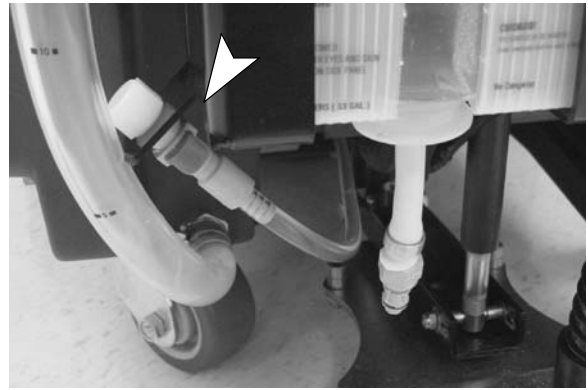


FIG. 13

4. Le système de solution FaST DOIT être amorcé lors de la première utilisation. Pour amorcer le système, assurez-vous que le réservoir de solution est vide et faites fonctionner la machine en mode de brossage FaST pendant 3 minutes (Voir FONCTIONNEMENT DE LA MACHINE). **Cette étape est nécessaire uniquement pour la première utilisation du système FaST.**

## REPLISSAGE DU RÉSERVOIR DE SOLUTION

**ATTENTION:** Pour les modèles équipés de l'option FaST. UTILISEZ DE L'EAU CLAIRE FROIDE UNIQUEMENT. N'ajoutez PAS d'agents nettoyants dans le réservoir de solution. Les agents nettoyants/régénérateurs traditionnels peuvent provoquer la panne du système de solution FaST.

1. Transportez la machine jusqu'au poste de ravitaillement. Relevez le racloir et la brosse pendant le transport.
2. Coupez le contact de la machine.

**POUR VOTRE SECURITÉ:** Avant de quitter ou d'entretenir la machine, arrêtez-la sur une surface horizontale, coupez le contact.

3. Arrêtez l'écoulement de solution en tirant complètement vers l'arrière le levier de distribution de la solution. (Figure 14).



FIG. 14



- Ouvrez la porte de remplissage de la solution qui se trouve à l'avant de la machine et remplissez le réservoir de solution d'eau claire [température maximum 60°C (140°F)] ou remplissez la machine en utilisant la porte de remplissage du tuyau qui se trouve à l'arrière de la machine. Enlevez le bouchon et introduisez le tuyau pour remplir le réservoir. Le tube transparent qui se trouve sous la porte de remplissage est pourvu de graduations tous les 5 gallons qui indiquent la quantité d'eau versée dans le réservoir (Figure 15).

**NOTE:** The water must **not** be hotter than 60°C (140°F) or tank damage may occur.



FIG. 15

**REMARQUE:** Si vous remplissez le réservoir avec un seau, assurez-vous que le seau est propre afin d'éviter tout risque d'obstruction des conduites du système de distribution de la solution.

- POUR LE BROSSAGE CONVENTIONNEL :**  
Versez un produit détergent recommandé dans le réservoir de solution, suivant les instructions de mélange figurant sur le flacon.

**ATTENTION :** pour le brossage conventionnel, utilisez **uniquement des produits détergents recommandés. Un endommagement de la machine dû à l'utilisation d'un détergent impropre, entraînera l'annulation de la garantie.**

**⚠ MISE EN GARDE :** Utilisez **uniquement les produits d'entretien recommandés, n'utilisez PAS de produits de substitution. Consultez un distributeur agréé qui vous indiquera les produits d'entretien recommandés.**

**POUR VOTRE SECURITE:** Quand vous utilisez la machine, suivez les instructions de mélange et de manipulation indiquées sur les conteneurs chimiques.

## UTILISATION DE LA MACHINE

**POUR VOTRE SECURITE:** N'utilisez la machine qu'après avoir lu et compris le manuel opérateur.

**⚠ MISE EN GARDE:** danger d'incendie ou d'explosion. N'utilisez jamais de liquides inflammables.

## CONTRÔLES AVANT LA MISE EN SERVICE

- Balayez le sol et essuyez-le pour enlever la poussière.
- Vérifiez le niveau de charge des batteries sur l'appareil de mesure de la charge des batteries pour vous assurer que les batteries sont chargées (Voir CHARGE DES BATTERIES).
- Assurez-vous que les patins ou les brosses sont installés.
- Assurez-vous que le racloir est installé.
- Mode de brossage FaST : Assurez-vous que le réservoir de solution est rempli **uniquement d'eau claire froide**. Assurez-vous que tous les agents nettoyants/régénérateurs conventionnels sont vidangés et rincés dans le réservoir de solution. Vérifiez le niveau d'agent concentré du FaST PAK, remplacez le carton le cas échéant.

## ACTIONNEMENT DE LA MACHINE

**REMARQUE:** Si votre machine est équipée de l'option FaST, reportez-vous à la page 11 pour d'autres procédures d'opérations.

- Réglez les poignées à une hauteur confortable (trois positions). Pressez en même temps les deux leviers sous le panneau de commande pour soulever ou abaisser les poignées (Figure 16).

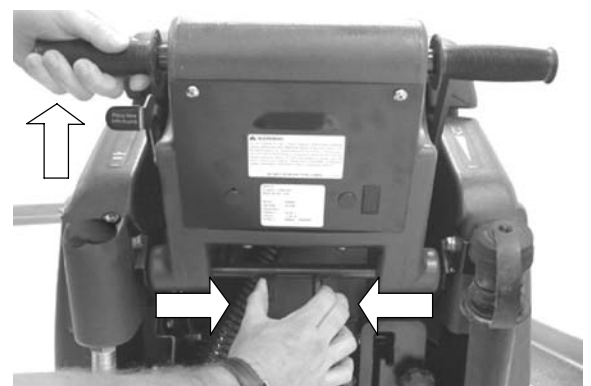


FIG. 16

## FONCTIONNEMENT

2. Abaissez le racloir en relâchant le bouton qui se trouve sur le levier de levage du racloir (Figure 17).



FIG. 17

3. Abaissez la tête de la brosse. Appuyez fermement sur la pédale supérieure de la brosse et poussez la pédale vers l'avant pour relâcher (Figure 18).

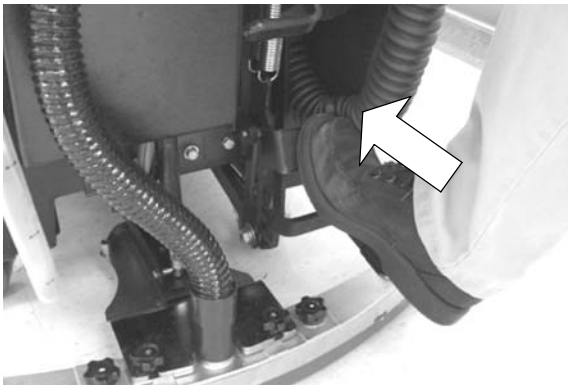


FIG. 18

4. Mettez le contact et allumez le bouton principal et les boutons de l'extracteur et de la brosse.

**REMARQUE:** Les moteurs de la brosse ne se mettent pas en marche tant que les poignées ne sont pas actionnées.

5. Activez la distribution de solution en poussant légèrement le levier de distribution de la solution vers l'avant. Plus fort le levier est enfoncé plus grand est le débit de solution. Enfoncez complètement pour obtenir un débit maximum. La solution commence à couler dès que le levier est activé (Figure 19).



FIG. 19

**REMARQUE:** Pour augmenter ou diminuer le débit maximum de la solution, tournez le bouton de réglage du débit de la solution. Tournez le bouton dans le sens des aiguilles d'une montre pour augmenter le débit ou dans le sens contraire des aiguilles d'une montre pour réduire le débit. (Figure 20).

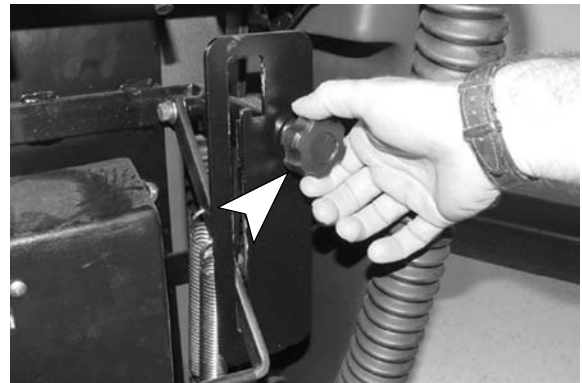


FIG. 20

6. Tournez doucement les poignées de commande vers l'avant pour commencer à nettoyer. Plus loin vous tournez les poignées plus vite ira la machine. Pour déplacer la machine en marche arrière, tournez les poignées de commande vers l'arrière.

**ATTENTION:** Faites toujours démarrer la machine sur la vitesse minimum pour éviter que la machine ne fasse un bond.

7. Examinez la quantité de solution sur le sol et réglez le levier de distribution de solution sur le débit de solution souhaité (pour le frottement conventionnel seulement).
8. Pour arrêter la machine, relâchez les poignées de commande.

## UTILISATION DU SYSTÈME FaST SCRUB (MODÈLE FaST)

Comment fonctionne le système FaST (Foam Scrubbing Technology = technologie de brosse en milieu moussant): L'agent concentré FaST-PAK est injecté dans le système avec un mélange composé d'une petite quantité d'eau et d'air comprimé. Ce mélange crée un grand volume de mousse humide expansée. Le mélange de mousse expansée est ensuite dispersé sur le sol, tandis que les deux disques de brosse se mettent en marche. Lorsque le racloir récupère le mélange, l'agent moussant breveté cesse d'être actif et est récupéré dans le réservoir de récupération. L'utilisation du système FaST peut augmenter votre productivité de 30%, en réduisant vos cycles de vidage/remplissage. Elle permet également de réduire l'utilisation de produits chimiques ainsi que l'espace de stockage. Un carton FaST-PAK d'agent concentré permet un broissage d'environ 93,000 m<sup>2</sup> (1,000,000 ft<sup>2</sup>).

1. Assurez-vous que le carton FaST-PAK est correctement installé (Voir INSTALLATION DE L'AGENT FaST-PAK).
2. Assurez-vous que le réservoir de solution est rempli uniquement d'eau claire froide. N'ajoutez PAS d'agents nettoyants conventionnels dans le réservoir de solution. La présence d'agents nettoyants/régénérateurs conventionnels dans le réservoir de solution risque de provoquer la panne prématurée du système FaST.
3. Assurez-vous que le commutateur principal et le commutateur de brosse sont activés et tirez complètement vers l'arrière le levier de distribution de solution (Figure 21).



FIG. 21

**REMARQUE:** Le débit d'eau s'écoulant du réservoir de solution est régulé automatiquement par l'activation du système FaST. Durant le broissage en mode de broissage FaST, le débit de solution ne peut pas être ajusté par l'intermédiaire du levier de réglage de la commande de solution.

4. Placez le bouton de broissage FaST/conventionnel en position de mode de broissage FaST - le voyant du bouton s'allume (Figure 22).

**REMARQUE:** Le levier de distribution de solution doit être en position de retrait afin d'activer le bouton.



FIG. 22

**REMARQUE:** Pour broser à l'eau claire seulement, il vous suffit de placer le bouton de broissage FaST/conventionnel en position de mode de broissage conventionnel. Ceci vous permet d'utiliser la machine dans une application de rinçage.

5. Suivez les instructions standard de la section FONCTIONNEMENT DE LA MACHINE pour débuter le broissage.

## PENDANT LE FONCTIONNEMENT DE LA MACHINE

**POUR VOTRE SECURITE:** Lors de l'utilisation de la machine, roulez lentement sur les pentes et sur les surfaces glissantes.

**⚠ MISE EN GARDE:** danger d'incendie ou d'explosion. Ne ramassez pas de matériaux inflammables ou de métaux réactifs.

1. Faites chevaucher de 5 cm chaque couloir de broissage.
2. Broissage conventionnel : versez une solution de contrôle de mousse recommandée dans le réservoir de récupération, si un excès de mousse apparaît.

**ATTENTION:** Veillez à ne pas laisser entrer de mousse ou d'eau dans le tuyau ascendant de l'extracteur pour éviter d'endommager le moteur de l'extracteur. Le flotteur n'empêche pas la mousse d'entrer dans le tuyau ascendant. Tout dommage de l'extracteur occasionné par de la mousse ou de l'eau n'est pas couvert par la garantie.

3. Si vous souhaitez une plus grande pression pour nettoyer des petites surfaces fort encrassées, suivez les étapes ci-dessus:
  - a. Abaissez la brosse.
  - b. Levez le levier de réglage de la pression pour le bloquer (Figure 23).

# FONCTIONNEMENT

**ATTENTION :** La brosse DOIT être abaissée pour que le levier de réglage de la pression de la brosse puisse être relevé dans la position bloquée. Ne laissez pas le levier dans la position bloquée quand les brosses sont relevées.

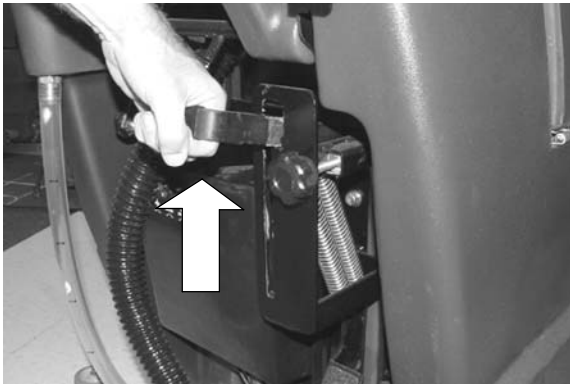


FIG. 23

4. Si le racloir laisse des traînées, relevez le racloir et essuyez les lames avec un chiffon. Balayez au préalable la zone pour éviter la formation de traînées.
5. Avant d'arrêter la machine ou de faire demi-tour, tirez vers l'arrière le levier de distribution de la solution pour interrompre l'écoulement de la solution (pour le frottement conventionnel seulement).
6. Pendant les arrêts de courte durée, il n'est pas nécessaire de désactiver le bouton de la brosse. La brosse s'arrête automatiquement quand les poignées de commande sont relâchées.
7. Pendant que vous nettoyez, vérifiez la quantité de solution restant dans le réservoir de solution au moyen des graduations du tube transparent. Chaque graduation du tuyau correspond à cinq gallons 19 litres (5 gal).
8. Vérifiez périodiquement le niveau de charge sur l'appareil de mesure de la charge des batteries. Quand l'aiguille descend dans la zone rouge, rechargez les batteries.

**ATTENTION: Ne continuez pas à utiliser la machine quand l'aiguille se trouve dans la zone rouge pour éviter d'endommager la batterie.**

9. Quand le réservoir de solution est vide, coupez le bouton de la brosse et le levier de distribution de la solution et continuez à aspirer jusqu'à ce que toute l'eau sale se trouve dans le réservoir de récupération. Vidangez ensuite le réservoir de récupération (Voir VIDANGE DES RESERVOIRS).

## COUPE-CIRCUITS

Les modèles SS2701 et SS3301 sont équipés de (4) coupe-circuits destinés à protéger les moteurs des dommages. Si les coupe-circuits se déclenchent, il n'est pas possible de les réenclencher immédiatement. Déterminez la cause du désenclenchement des coupe-circuits, laissez le moteur refroidir et réenclenchez les coupe-circuits. Les coupe-circuits des moteurs des brosses se déclenchent en cas de surcharge du patin. Nettoyez ou changez le patin si le coupe-circuit se déclenche. Les boutons des coupe-circuits se trouvent à l'arrière de la machine comme illustré (Figure 24).

- Coupe-circuit principal 10 A
- Coupe-circuit du moteur de propulsion/extracteur 35 A
- Coupe-circuit du moteur de brosse 35 A (2)
- Système FaST 10 A (Modèle FaST)

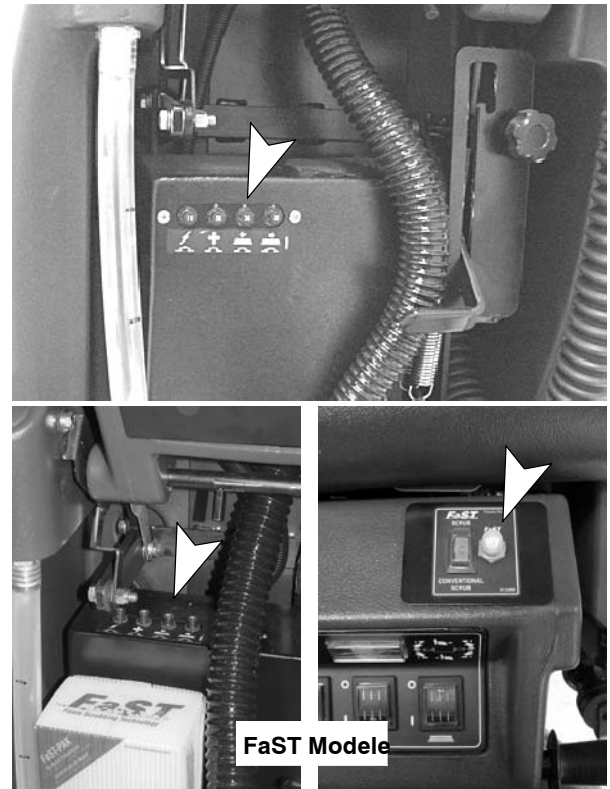


FIG. 24

**REMARQUE:** En entretenant la machine ou quand la machine est laissée sans surveillance, retirez le bouton principal de disjoncteur. Ceci coupera toute la puissance d'usiner.

## VIDANGE DES RESERVOIRS

Le réservoir de récupération doit être vidé et nettoyé après chaque utilisation. Le réservoir de solution doit être nettoyé périodiquement, afin d'éliminer toute corrosion.

Transportez la machine vers un site de vidange, coupez le contact et suivez les instructions de vidange ci-dessous:

**POUR VOTRE SECURITÉ : Avant de quitter ou d'entretenir la machine, arrêtez-la sur une surface horizontale, coupez le contact.**

## VIDANGE DU RÉSERVOIR DE RÉCUPÉRATION

1. Enlevez le tuyau de vidange de son support, amenez le tuyau au-dessus du trou de vidange au sol et enlevez le bouchon du tuyau de vidange. Pour vidanger complètement le réservoir de récupération, faites pivoter sur le côté le réservoir et faites basculer le support du réservoir pour soutenir le réservoir (Figure 25).

**REMARQUE:** Si vous utilisez un seau pour vidanger la machine, n'employez pas le même seau pour remplir le réservoir de solution pour ne pas obstruer les conduites du système de solution.



FIG. 25

2. Rincez le réservoir de récupération après chaque emploi afin d'éviter les mauvaises odeurs. Dévissez le couvercle transparent du réservoir de récupération. Utilisez un tuyau pour rincer le réservoir de récupération. Veillez à ne pas mettre d'eau dans le flotteur.

## DRAINING SOLUTION TANK

1. Pull clear hose off hose barb at rear of machine and drain solution into floor drain or bucket (Figure 26).

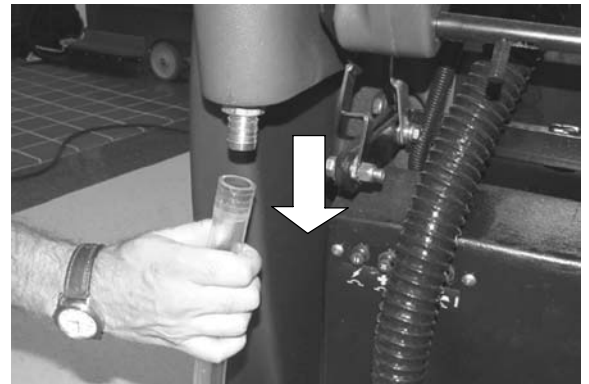


FIG. 26

2. Rinse out solution tank with clean water after each use and flush out solution flow system by pushing solution flow lever forward. This will prevent clogging due to chemical buildup. Use clear hose to drain solution tank.
3. Reconnect clear hose to hose barb. Be certain hose is completely pushed onto hose barb.

## CHARGE DES BATTERIES

**ATTENTION :** pour prolonger la durée de vie des batteries et obtenir des performances optimales, rechargez les batteries **UNIQUEMENT** après une durée d'utilisation totale de 30 minutes ou plus. **Ne laissez jamais les batteries se décharger sur de longues périodes.**

Les instructions de mise en charge ci-dessous sont destinées uniquement aux chargeurs de batteries fournis avec la machine. Utilisez uniquement un chargeur de batterie ayant les caractéristiques ci-dessous, afin d'éviter l'endommagement des batteries.

### SPÉCIFICATIONS DU CHARGEUR DE BATTERIS:

- TYPE DE CHARGEUR:  
- POUR DES BATTERIES PLOMB-ACIDE
- TENSION DE SORTIE - 24 VOLTS
- COURANT DE SORTIE - 15 AMPÈRES
- CIRCUIT DE COUPURE AUTOMATIQUE
- POUR LA MISE EN CHARGE DE BATTERIES A CYCLE INTENSIF

# FONCTIONNEMENT

1. Transportez la machine dans un endroit bien aéré pour recharger les batteries.

**⚠ MISE EN GARDE: danger d'incendie ou d'explosion. Les batteries émettent du gaz hydrogène. Évitez toute étincelle et toute flamme nue à proximité des batteries. Laissez ouvert le compartiment des batteries pendant la mise en charge.**

2. Avant de mettre en charge les batteries, vérifiez le niveau d'électrolyte dans chaque élément de batterie (Figure 27).

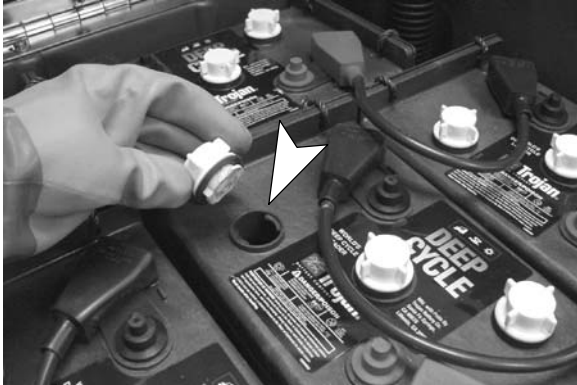


FIG. 27

**POUR VOTRE SECURITÉ: lorsque vous entretenez la machine, portez des gants et des lunettes de protection quand vous maniez les batteries et les câbles de batterie. Évitez tout contact avec l'acide des batteries.**

Le niveau d'électrolyte (A) doit légèrement recouvrir les plaques de batteries (B). Ajoutez de l'eau distillée si nécessaire. **NE REMPLISSEZ PAS TROP**, le fluide va augmenter de volume et risque de déborder lors de la mise en charge. Remettez les bouchons sur les éléments, avant la mise en charge (Figure 28).

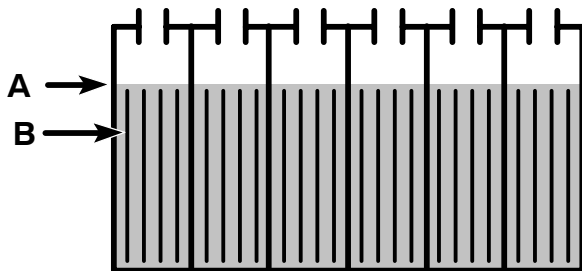


FIG. 28

3. Branchez le cordon d'alimentation CA du chargeur sur une prise mise à la terre correctement (Figure 29).

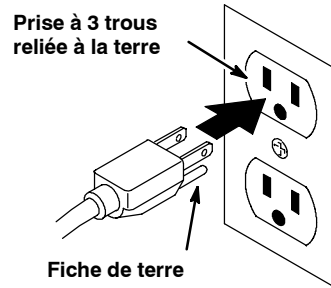


FIG. 29

4. Branchez la fiche de sortie CC du chargeur sur la prise des batteries située près du compartiment des batteries (Figure 30).

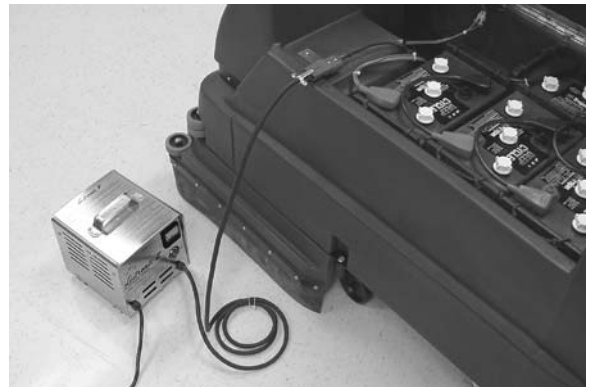


FIG. 30

5. Le chargeur commence automatiquement à charger et se coupe lorsque les batteries sont complètement chargées.
6. Posez le réservoir de récupération sur la béquille de support, afin de faciliter la ventilation durant la mise en charge (Figure 31).

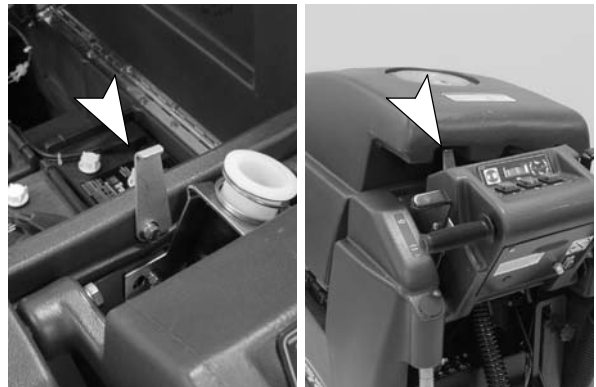


FIG. 31

**ATTENTION: ne débranchez pas le cordon d'alimentation en courant continu de la prise de la machine lorsque le chargeur est en fonctionnement. Ceci peut provoquer des étincelles. Si le chargeur doit être arrêté durant la mise en charge, débranchez d'abord le cordon d'alimentation en courant alternatif.**

**⚠ MISE EN GARDE: danger d'incendie ou d'explosion. Les batteries émettent du gaz hydrogène. Évitez toute étincelle et toute flamme nue à proximité des batteries. Laissez ouvert le compartiment des batteries pendant la mise en charge.**

7. Batteries plomb-acide: après le chargement, vérifiez le niveau d'électrolyte (A) des batteries. Le niveau doit se trouver environ à .375 in / 1 cm du bord inférieur de l'orifice de remplissage (B) (Figure 32). Ajoutez de l'eau distillée si nécessaire. **NE REMPLISSEZ PAS TROP.**

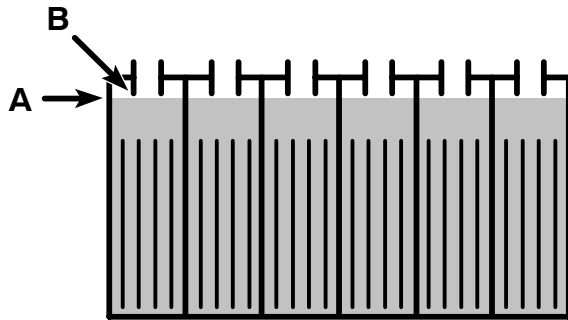


FIG. 32

## ENTRETIEN DE LA MACHINE

Pour garder la machine en bon état de marche, suivez les procédures d'entretien quotidiennes, hebdomadaires et mensuelles.

**⚠ MISE EN GARDE: danger électrique. Débranchez les câbles de la batterie avant l'entretien ou la réparation de la machine.**

### ENTRETIEN QUOTIDIEN

(Toutes les 4 heures de service)

1. Enlevez et nettoyez les patins ou les brosses. N'utilisez jamais de patins sales pour nettoyer. Remplacez les patins quand ils sont pleins de résidus.
2. Retirez et nettoyez le ruban du filtre du flotteur situé dans le réservoir de récupération (Figure 33).



FIG. 33

3. Vidangez et rincez les réservoirs soigneusement. Après avoir vidangé les réservoirs, faites pivoter le réservoir de récupération jusqu'à ce que vous voyiez l'orifice d'admission à l'arrière du réservoir. Enlevez tous les débris obstruant l'orifice si nécessaire.
4. Relevez le racloir et essuyez-le avec un chiffon sec. Mettez le racloir en position relevée pour éviter de l'endommager.
5. Nettoyez la carrosserie de la machine avec un produit non-abrasif et non-solvant.

**POUR VOTRE SECURITÉ : lorsque vous nettoyez la machine, n'utilisez pas de jet de pression sur la machine. Un dysfonctionnement électrique risque de se produire.**

6. Modèle FaST : branchez le tuyau d'alimentation FaST-PAK sur le bouchon de stockage lorsque vous ne l'utilisez pas (Figure 34). Éliminez toute trace de concentré séché du raccord du tuyau, en le trempant dans de l'eau chaude.

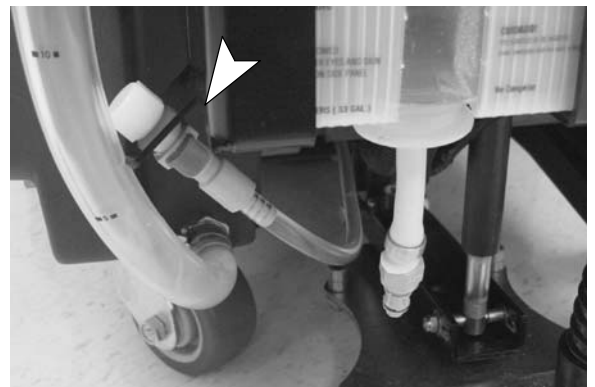


FIG. 34

7. Rechargez les batteries après un total de 30 minutes de service ou plus (Voir CHARGE DES BATTERIES).

## ENTRETIEN MENSUEL

(Toutes les 80 heures de service)

1. Contrôlez le niveau de liquide des éléments des batteries (Voir ENTRETIEN DES BATTERIES).
2. Nettoyez la partie supérieure des batteries pour éviter la corrosion (Voir ENTRETIEN DES BATTERIES).
3. Vérifiez si les câbles des batteries ne sont pas détachés ou corrodés.
4. Modèle FaST: Ouvrez le logement de jupe droite, retirez et rincez le filtre en ligne. Avant de retirer le filtre, assurez-vous que le réservoir de solution est vide (Figure 35).

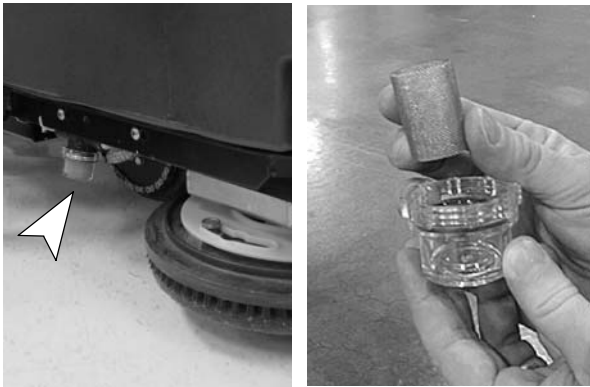


FIG. 35

5. Vérifiez le niveau d'eau des éléments des batteries. (Voir ENTRETIEN DES BATTERIES).
6. Nettoyez la partie supérieure des batteries pour éviter la corrosion.
7. Lubrifiez toutes les articulations de la tringlerie avec du silicone sous forme de spray; puis, recouvrez-les avec une graisse imperméable pour assurer un fonctionnement régulier.
8. Vérifiez la présence éventuelle de fuites d'eau et le serrage des écrous et des boulons.

## ENTRETIEN TRIMESTRIEL

(Toutes les 250 heures de service)

1. Inspectez l'état d'usure des balais de charbon des moteurs. Remplacez les balais lorsque leur longueur est de 10 mm ou moins. Contactez un centre d'entretien agréé pour un contrôle des balais de charbon.

Contactez un service de réparation agréé pour l'entretien des moteurs.

2. Modèle FaST: Dévissez le filtre et retirez-le de la pompe à air, puis nettoyez le filtre en utilisant de l'air pulsé. Pour accéder à la pompe à air, retirez les deux vis de fixation qui maintiennent la pompe sur l'avant de la machine (Figure 36).

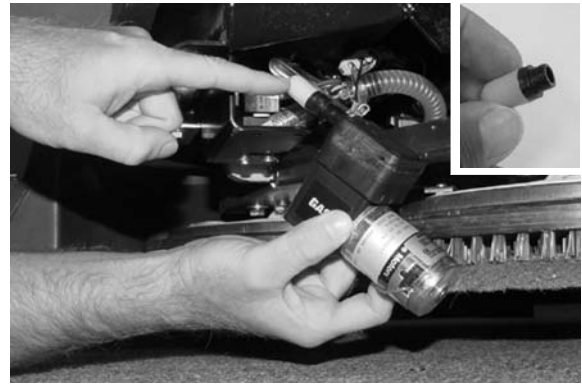


FIG. 36

## ENTRETIEN ANNUEL

(Toutes les 1000 heures de service)

Modèle FaST Seulement:

Nettoyez ou remplacez le plat d'orifice et le tamis filtrant situés à l'intérieur de l'injecteur de solution.

1. Pour accéder à l'injecteur de solution, ouvrez le compartiment de batterie. L'injecteur est relié à la pompe de solution (Figure 37).

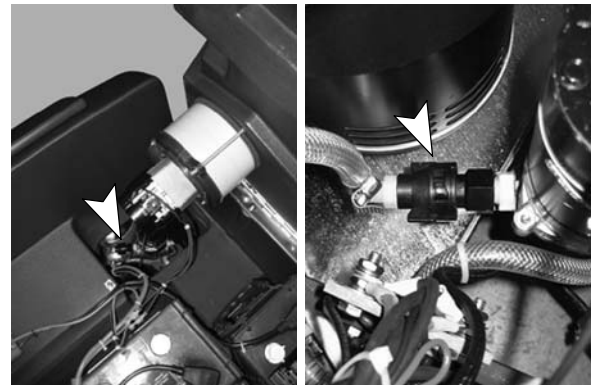


FIG. 37

2. Ouvrez le boîtier de crépine noir et nettoyez ou remplacez le plat et le filtre d'orifice (Figure 38).



FIG. 38



**ENTRETIEN DES BATTERIES**

**⚠ MISE EN GARDE: danger d'incendie ou d'explosion. Les batteries émettent du gaz hydrogène. Évitez toute étincelle et toute flamme nue à proximité des batteries. Laissez ouvert le compartiment des batteries pendant la mise en charge.**

**POUR VOTRE SECURITÉ: lorsque vous entretenez la machine, portez des gants et des lunettes de protection quand vous maniez les batteries et les câbles de batterie. Évitez tout contact avec l'acide des batteries.**

1. Vérifiez la densité spécifique à l'aide d'un hydromètre, pour déterminer le niveau de charge et l'état des batteries (Figure 39). Si un ou plusieurs des éléments des batteries est (sont) plus faible(s) que les autres éléments des batteries (de 0,050 ou plus), cela signifie que l'élément (les éléments) est (sont) endommagé(s), que sa (leur) capacité est réduite ou qu'il(s) va (vont) bientôt tomber en panne. Comparez les mesures hydrométriques avec le tableau suivant pour déterminer le niveau de charge.

**REMARQUE:** n'effectuez pas de mesures juste après avoir ajouté de l'eau distillée. Si l'eau et l'acide ne sont pas bien mélangés, il se peut que les mesures ne soient pas exactes.

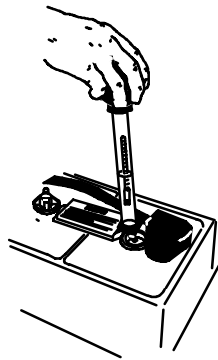


FIG. 39

DENSITÉ SPÉCIFIQUE à 27°C (80°F)	CHARGE DE BATTERIE
1.265	100% CHARGED
1.223	75% CHARGED
1.185	50% CHARGED
1.148	25% CHARGED
1.110	DISCHARGED

**REMARQUE:** si les lectures sont effectuées quand la température de l'électrolyte est autre que 80°F / 27°C, la lecture doit être corrigée par rapport au niveau de température. Ajoutez ou soustrayez 0,004 (4 points) à la lecture de densité spécifique, pour chaque 43°F / 6 °C au-dessus ou au-dessous de 80°F / 27°C.

2. Suivez toujours attentivement les instructions de chargement (Voir CHARGEMENT DES BATTERIES).
3. Après la mise en charge des batteries, vérifiez le niveau d'électrolyte (A) dans chaque élément de batterie. Le niveau doit se trouver environ à 1 cm (3/8 in) du bord inférieur de l'orifice de remplissage (B). Ajoutez de l'eau distillée si nécessaire (Figure 40). NE REMPLISSEZ PAS TROP.

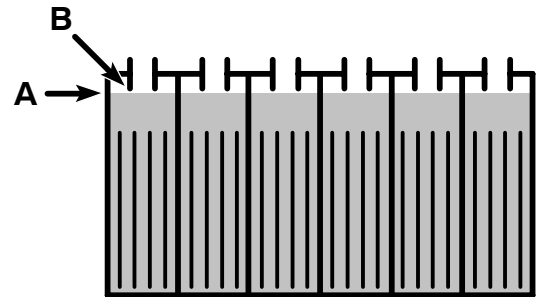


FIG. 40

4. Nettoyez la partie supérieure des batteries pour prévenir la corrosion des batteries.  
Pour nettoyer les batteries:

**POUR VOTRE SECURITÉ: lorsque vous entretenez la machine, portez des gants et des lunettes de protection quand vous maniez les batteries et les câbles de batterie. Évitez tout contact avec l'acide des batteries.**

- a. Préparez une solution concentrée de bicarbonate de soude (Figure 41).



FIG. 41

- b. Brossez les surfaces supérieures et les cosses de câbles des batteries en utilisant la solution avec modération.

**REMARQUE:** veillez à ce que la solution de bicarbonate de soude ne pénètre pas dans les éléments des batteries.

- c. Utilisez une brosse métallique pour nettoyer les bornes et les cosses de câbles.
- d. Une fois le nettoyage terminé, appliquez une couche de produit de protection pour batteries sur les bornes et les cosses de câbles.

# FONCTIONNEMENT

5. Vérifiez si les câbles ne sont pas débranchés ou usés. Remplacez-les s'ils sont usés.

## ENTRETIEN DE LA CHAÎNE D'ENTRAÎNEMENT

**POUR VOTRE SECURITÉ: Avant de quitter ou d'entretenir la machine, arrêtez-la sur une surface horizontale, coupez le contact.**

Inspectez la chaîne d'entraînement périodiquement pour contrôler la tension. La chaîne doit défléchir de 6.35mm (1/4") à 12.7mm (1/2") à partir du centre. Si la chaîne défléchit de plus de 12.7mm (1/2"), elle doit être retendue. Pour retendre la chaîne, procédez de la façon suivante:

1. Turn main switch to the off position and pull out the main circuit breaker button.
2. Depuis le côté droit de la machine pour l'opérateur, localisez et desserrez les 4 boulons de fixation du moteur sans les enlever.
3. Desserrez l'écrou de blocage du boulon de réglage de la tension. (Figure 42).

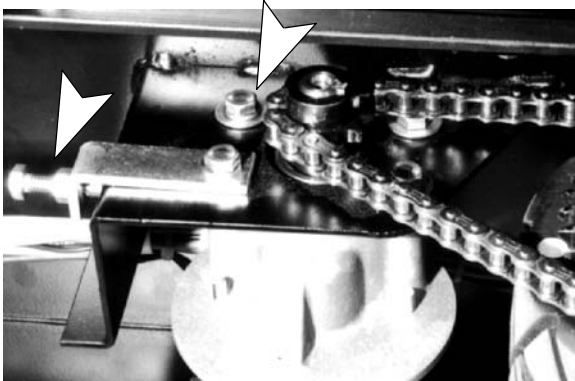


FIG. 42

4. Tournez le boulon de réglage de la tension dans le sens des aiguilles d'une montre jusqu'à ce que la chaîne soit tendue.
5. Resserrez l'écrou de blocage et les 4 vis de montage du moteur.
6. Lubrifiez la chaîne avec une huile imperméable.

## TRANSPORT DE LA MACHINE

Lorsque vous transportez la machine à l'aide d'une remorque ou d'un camion, veuillez suivre les instructions suivantes pour attacher la machine.

**POUR VOTRE SECURITE: N'utilisez pas la machine sur des rampes ou des pentes sauf en présence du personnel compétent.**

1. Enlevez le racloir de la machine, relevez la tête de la brosse. Laissez le patin ou la brosse monté(e).

2. Chargez la machine à l'aide d'une rampe de chargement adéquate.
3. Mettez l'avant de la machine contre l'avant de la remorque ou du camion. Une fois la machine à sa place, abaissez la tête de la brosse.
4. Engagez le frein de parcage et mettez un bloc derrière la roue motrice et les roulettes arrière.
5. Mettez des sangles par-dessus la machine et fixez-les au plancher. Il peut être nécessaire d'installer des brides d'attache au plancher de votre remorque ou camion.

## RANGEMENT DE LA MACHINE

1. Avant d'entreposer la machine, veillez à rincer les réservoirs et à vider toute l'eau de la machine.
2. Entreposez la machine dans un endroit sec en veillant à enlever le racloir et à relever le système d'entraînement du patin.
3. Enlevez le couvercle du réservoir de récupération pour favoriser la circulation de l'air.
4. Si vous entreposez la machine pendant de courtes périodes, relevez le système d'entraînement du patin et le racloir du sol pour éviter de les endommager.

**ATTENTION: ATTENTION: Si vous entreposez la machine à des températures inférieures à 0°C (32°F), assurez-vous que toute l'eau de la machine est vidangée. Les dommages occasionnés par le gel ne sont pas couverts par la garantie.**

**ATTENTION: N'exposez pas la machine à la pluie; entreposez-la à l'intérieur.**

## PIECES DE STOCK RECOMMANDEES

Reportez-vous à la section Liste des pièces pour les pièces de stock recommandées. Les pièces de stock sont identifiées clairement à l'aide d'un point précédant la description des pièces. Voir exemple ci-dessous:

Ref.	Part No.	Description	Qty.
1	701100	ASIM.,STANDPIPE	1
2	180613	●FLOAT, SHUTOFF	1
3	230197	NIPPLE	1
4	101714	●GASKET	1
5	210240	NUT, FLANGED	1

## DEPISTAGE DES PANNES

PROBLEME	CAUSE	REMEDE
Pas de tension, rien ne fonctionne.	Les batteries doivent être rechargées.	Voyez CHARGE DES BATTERIES.
	Batterie(s) défectueuse(s).	Remplacez batterie(s).
	Câble de batterie détaché.	Reconnectez câble détaché.
	Batteries ne sont pas branchées convenablement.	Voyez MISE EN PLACE DES BATTERIES.
	Bouton de coupure de l'alimentation activé.	Tournez le bouton pour le désactiver.
	Coupe-circuit principal s'est déclenché.	Déterminez la cause et réenclenchez le bouton du coupe-circuit.
Le moteur de la brosse ne fonctionne pas.	Coupe-circuit de la brosse s'est déclenché.	Nettoyez ou remplacez le patin ou la brosse et réenclenchez le bouton du coupe-circuit de la brosse.
	Les poignées de commande ne sont pas actionnées.	Vous devez tourner les poignées de commande pour activer les brosses.
	Câblage ou moteur de brosse défectueux.	Contactez le service de dépannage.
	Bouton de la brosse défectueux.	Contactez le service de dépannage.
	Balais de charbon usés.	Contactez le service de dépannage.
	Solénoïde défectueux.	Contactez le service de dépannage.
Le moteur de l'extracteur ne fonctionne pas.	Coupe-circuit de l'extracteur s'est déclenché.	Enlevez l'objet causant l'obstruction et réenclenchez le coupe-circuit.
	Bouton de l'extracteur défectueux.	Contactez le service de dépannage.
	Câblage ou moteur de l'extracteur défectueux.	Contactez le service de dépannage.
	Solénoïde défectueux.	Contactez le service de dépannage.
	Balais de charbon usés.	Contactez le service de dépannage.
Brève durée de fonctionnement.	Batteries pas complètement chargées.	Rechargez les batteries.
	Elément défectueux dans une ou plusieurs batteries.	Remplacez batterie.
	Batteries doivent être entretenues.	Voyez ENTRETIEN DES BATTERIES.
	Chargeur défectueux.	Remplacez le chargeur.

## DEPISTAGE DES PANNES - Suite

PROBLEME	CAUSE	SOLUTION
Ramassage non satisfaisant du racloir.	Réservoir de récupération est plein.	Videz le réservoir de récupération.
	Le filtre du flotteur à l'intérieur du réservoir de récupération est obstrué.	Enlevez le filtre et nettoyez-le.
	Le racloir est obstrué par des débris.	Nettoyez le racloir.
	Les lames du racloir sont usées.	Remplacez les lames du racloir.
	Les vis papillons du racloir sont desserrées.	Resserrez les vis papillons.
	Les raccords du tuyau d'aspiration sont détachés ou le tuyau est percé.	Enfoncez bien les extrémités du tuyau d'aspiration dans les raccords. Remplacez le tuyau s'il est endommagé.
	Le tuyau d'aspiration est obstrué par des débris.	Enlevez les débris responsables de l'obstruction.
	Le joint d'étanchéité du réservoir est défectueux.	Remplacez le joint du réservoir.
	L'alimentation d'eau du réservoir de récupération est obstruée. L'alimentation se trouve dans le bas du réservoir de récupération.	Videz le réservoir de récupération et soulevez-le par le côté pour localiser l'orifice d'alimentation; enlevez les débris responsables de l'obstruction.
	Le bouchon du tuyau de vidange est desserré.	Resserrez le bouchon du tuyau de vidange.
	Le couvercle transparent du réservoir de récupération est desserré.	Resserrez le couvercle.
	Le moteur de l'extracteur est desserré.	Contactez le service de dépannage.
La charge des batteries est faible.	Rechargez les batteries. N'utilisez pas la machine quand l'aiguille de l'appareil de mesure de la charge des batteries se trouve dans la zone rouge.	
Le moteur du système d'entraînement ne fonctionne pas.	Coupe-circuit principal s'est déclenché.	Déterminez la cause et réenclenchez le coupe-circuit.
	Interrupteur principal défectueux.	Contactez le service de dépannage.
	Connexion ou panneau du circuit de commande de la vitesse défectueux..	Contactez le service de dépannage.
	Solénoïde défectueux.	Contactez le service de dépannage.
	Moteur du système d'entraînement défectueux.	Contactez le service de dépannage.
	Câblage défectueux.	Contactez le service de dépannage.
	Balais de charbon usés.	Contactez le service de dépannage.

**DEPISTAGE DES PANNES - Suite**

<b>PROBLEM</b>	<b>CAUSE</b>	<b>SOLUTION</b>
Le moteur du système d'entraînement fonctionne mais pas convenablement.	Potentiomètre ou panneau de commande de la vitesse défectueux.	Contactez le service de dépannage.
	Résisteur défectueux.	Contactez le service de dépannage.
Débit faible ou nul de la solution.	Le levier de distribution de la solution n'est pas activé.	Poussez le levier de distribution de la solution vers l'avant.
	La conduite ou le filtre du système de distribution de la solution est obstrué(e).	Enlevez le tuyau et soufflez-y de l'air comprimé. Pour éviter les obstructions, rincez le réservoir de solution à l'eau claire après chaque usage.
	La soupape du système de distribution de la solution est obstruée.	Enlevez la soupape et nettoyez-la. N'éraflez pas et n'endommagez pas l'intérieur de la soupape.
	Le bouton de réglage du débit de la solution doit être réglé.	Tournez le bouton de réglage du débit de la solution dans le sens des aiguilles d'une montre pour augmenter le débit.
Les lampes de sécurité ne fonctionnent pas.	Boîte clignotante a brûlé.	Contactez le service de dépannage.
Modèle FaST : Le système FaST ne fonctionne pas (correctement).	Le levier de distribution de la solution n'est pas rétracté.	Tirez vers l'arrière le levier de distribution de solution.
	Le mode de brosseage n'est pas sélectionné sur le brosseage FaST.	Sélectionnez le mode de brosseage FaSTt.
	Coupe-circuit FaST déclenché.	Déterminez la cause et réenclenchez le bouton du coupe-circuit de 10 A.
	Tuyau d'alimentation et/ou raccords du FaST-PAK obstrués.	Trempez les raccords et le tuyau dans l'eau chaude et nettoyez-les.
	Le carton FaST-PAK est vide ou n'est pas raccordé.	Remplacez le carton FaST-PAK et/ou branchez le tuyau d'alimentation.
	Orifice de commande de débit obstrué.	Retirez l'orifice, nettoyez-le et réinstallez-le (reportez-vous à la liste de pièces détachées).
	Bouton de mode de brosseage défectueux.	Contactez le service de dépannage.
	Pompe ou compresseur d'air défectueux.	Contactez le service de dépannage.
Filtre du réservoir de solution obstrué.	Vidangez le réservoir de solution. Retirez le filtre du réservoir de solution, nettoyez-le et réinstallez-le.	

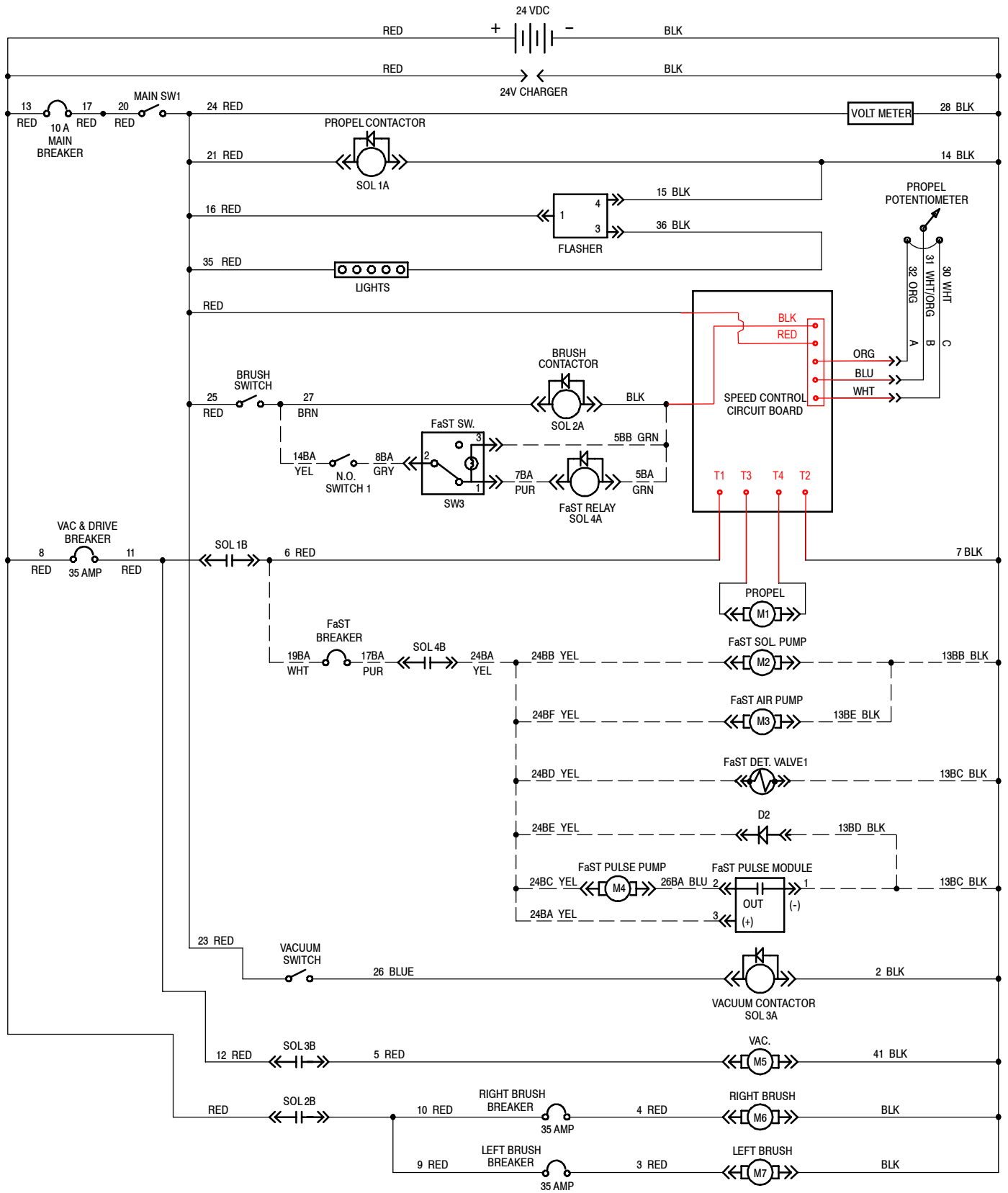
# FONCTIONNEMENT

## SPECIFICATIONS

MODELE	SPEED SCRUB 2701	SPEED SCRUB 3301
LONGUEUR	1500 mm (59 in.)	1500 mm (59 in.)
LARGEUR	740 mm (29 in.)	890 mm (35 in.)
HAUTEUR	1040 mm (41 in.)	1040 mm (41 in.)
POIDS - AVEC BATTERIES	352kg (760 lbs)	355kg (765 lbs)
CAPACITE RESERVOIRS	102L (27 Gal)	102L (27 Gal)
COMMANDE DE LA VITESSE	VARIABLE MARCHE AVANT/ARRIERE	VARIABLE MARCHE AVANT/ARRIERE
VITESSE DE NETTOYAGE (MAX.)	2787 sq. m.(30,000 sq. ft.)/hr.	3251 sq. m. (35,000 sq. ft.)/hr.
LARGEUR DE LA TRACE DE NETTOYAGE	680 mm (27 in.)	830 mm (33 in.)
DIAMETRE DU PATIN	2 - 355 mm (14 in.)	2 - 430 mm (17 in.)
LARGEUR DU RACLOIR	965 mm (38 in.)	1067 mm (42 in.)
MOTEUR DU SYST. D'ENTR.	.5 h.p., 0-1800 rpm, 24V, 10A	.5 h.p., 0-1800 rpm, 24V, 10A
MOTEUR DE BROSSE	2 - .75 h.p., 220 rpm, 24V, 20A, 550W	2 - .75 h.p., 220 rpm, 24V, 20A, 550W
MOTEUR DE L'EXTRACTEUR	.75 h.p., 3-étages 5.7", 24V, 21A, 550W	.75 h.p., 3-étages 5.7", 24V, 21A, 550W
HAUTEUR DE DEPLACEMENT D'EAU	1720 mm (68 in.)	1720 mm (68 in.)
BATTERIES	4-305A/hr, 6V deep cyc	4-305A/hr, 6V deep cyc
DUREE DE FONCTIONNEMENT PAR CHARGE	Jusqu'à 4.76 heures	Jusqu'à 4.76 heures
NIVEAU SONORE A L'OREILLE DE L'OPERATEUR, A L'INTERIEUR SUR DU CARRELAGE	<70dB(A)	<70dB(A)

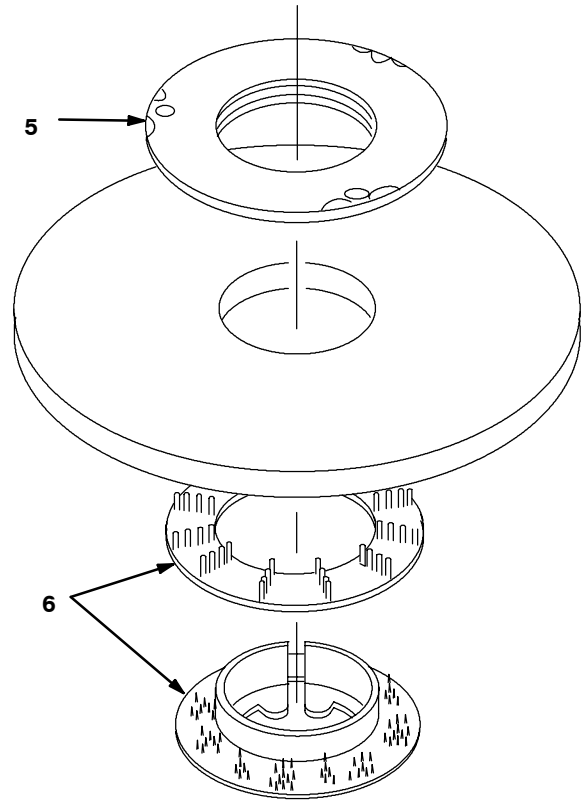
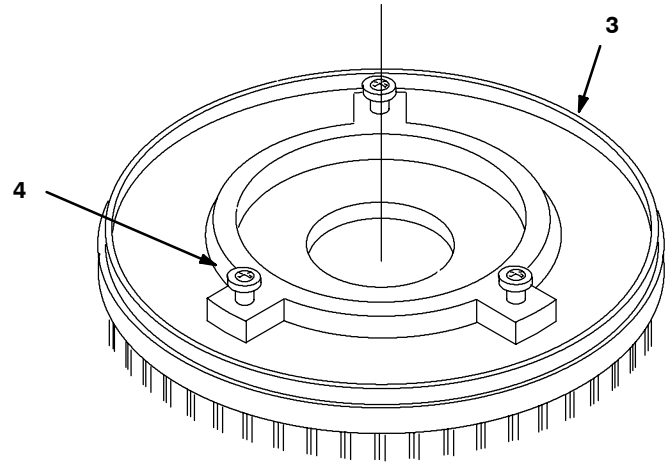
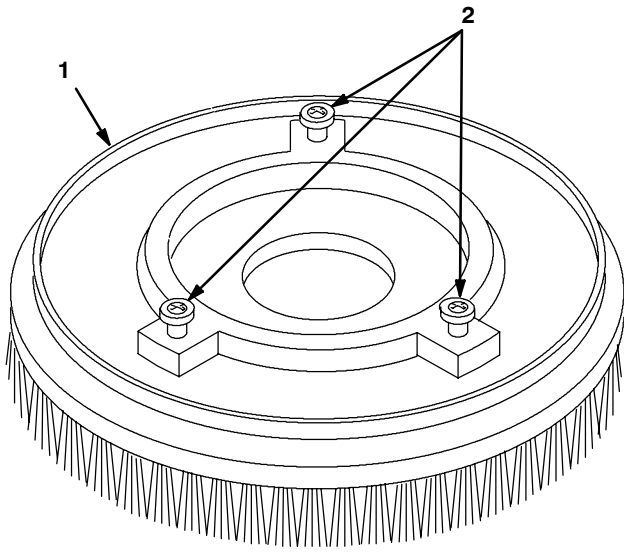
SYSTÈME FaST (MODÈLE FaST)	
POMPE À SOLUTION	24 Volts CC, 3,5 A, circulation ouverte 5,7 l/min, réglage de dérivation 45 psi
DÉBIT DE LA SOLUTION	0,68 l/min
POMPE À DETERGENT	24 V, 24 Watts
DÉBIT DU CONCENTRÉ	0,80 CC/minute
TAUX DE DILUTION DU CONCENTRÉ DANS L'EAU	1:850
COMPRESSEUR D'AIR	24 volts CC, consommation 0,6 A maximum
DÉBIT DU COMPRESSEUR D'AIR	8,7 l/min circulation ouverte

# ELECTRICAL DIAGRAMS - DIAGRAMAS ELECTRICAS - SYSTEM ÉLECTRIQUE



# PARTS LIST - LISTA DE PIEZAS - LISTE DES PIÈCES

## REPLACEMENT BRUSHES AND PAD DRIVER GROUP / CEPILLO DEL REEMPLAZO Y GRUPO DEL MANDO DE LA ALMOHADILLA / GROUPE REMPLACEMENT DES BROSSES ET DU PIGNON MENANT DE PATIN





# PARTS LIST - LISTA DE PIEZAS - LISTE DES PIÈCES

## REPLACEMENT BRUSHES AND PAD DRIVER GROUP / CEPILLO DEL REEMPLAZO Y GRUPO DEL MANDO DE LA ALMOHADILLA / GROUPE REMPLACEMENT DES BROSSES ET DU PIGNON MENANT DE PATIN

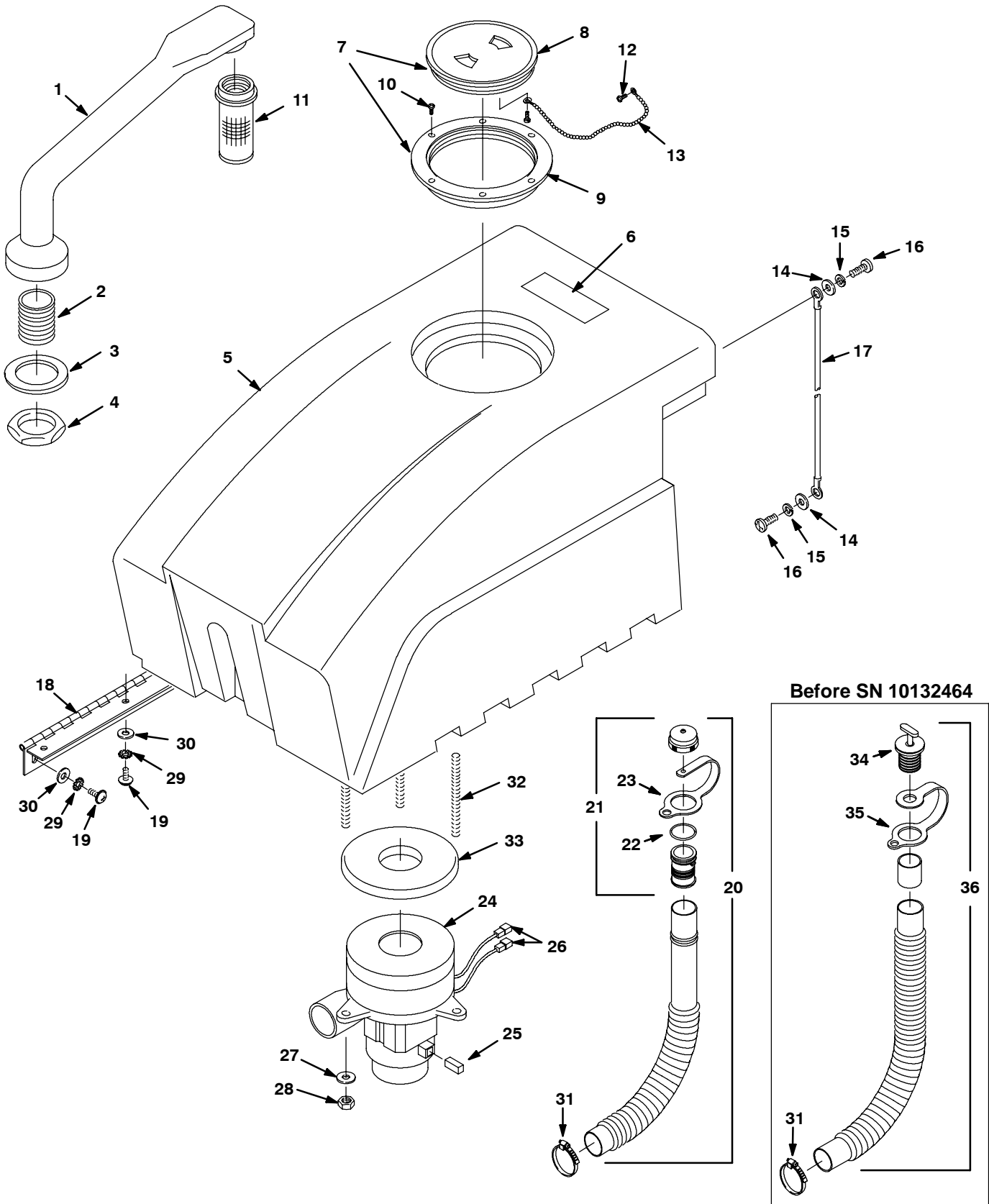
REF	PART #	DESCRIPTION	QTY.
▽ 1	240227	●BRUSH, 14" POLY SCRUB PK/2 (2701)	2
	240234	●BRUSH, 14" NYLON GRIT PK/2 (2701)	2
	240236	●BRUSH, 14" DYNA SCRUB PK/2 (2701)	2
	240243	●BRUSH, 14" SCRUB/STRIP PK/2 (2701)	2
	240230	●BRUSH, 17" POLY SCRUB PK/2 (3301)	2
	240235	●BRUSH, 17" NYLON GRIT PK/2 (3301)	2
	240237	●BRUSH, 17" DYNA SCRUB PK/2 (3301)	2
	240241	●BRUSH, 17" SCRUB/STRIP PK/2 (3301)	2
▲ 2	240238	LUGS, W/ SCREWS (SET OF 3)	6

REF	PART #	DESCRIPTION	QTY.
▽ 3	240232	●ASM, 14" PAD DRIVER (2701)	2
	240233	●ASM, 17" PAD DRIVER (3301)	2
▲ 4	240238	LUGS, W/ SCREWS (SET OF 3)	6
▲ 5	100106	PLATE, PAD DRIVER BASE	2
▲ 6	100107	●RING, PAD RETAINER SNAP-IN	2

- ▽ ASSEMBLY / CONJUNTO / ENSEMBLE
- ▲ INCLUDED IN ASSEMBLY / INCLUIDO A CONJUNTA / Y COMPRIS EN ENSEMBLE
- RECOMMENDED STOCK ITEM / PIEZAS RECOMENDADAS EN ALMACÉN / ÉLÉMENTS DE STOCK RECOMMANDÉS

# PARTS LIST - LISTA DE PIEZAS - LISTE DES PIÈCES

## RECOVERY TANK GROUP / CONJUNTO DESPOSITO RECUPERAR / GROUPE RESERVOIR DE RECUPERATION



# PARTS LIST - LISTA DE PIEZAS - LISTE DES PIÈCES

## RECOVERY TANK GROUP / CONJUNTO DESPOSITO RECUPERAR / GROUPE RESERVOIR DE RECUPERATION

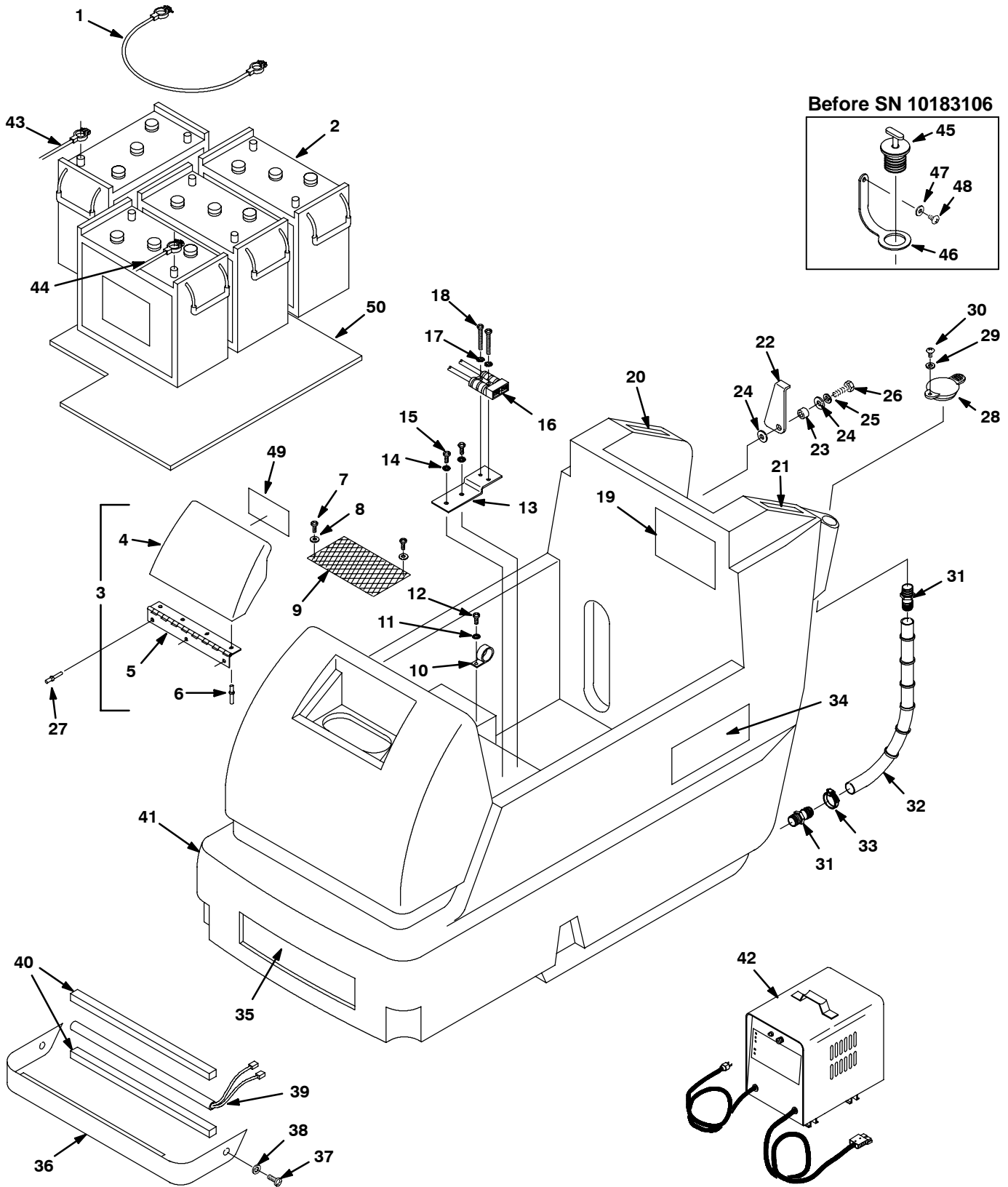
REF	PART #	DESCRIPTION	QTY.
▽	100162	ASM, STANDPIPE W/NIPPLE	1
▲ 1	100759	STANDPIPE, RM-NAT	1
▲ 2	606088	FITTING, 1-1/2" NIPPLE CPVC	1
3	101714	●GASKET, WASTE AIR CHAMBER	1
4	210240	NUT, FLANGED 1-1/2 FPT	1
▽ 5	614118	ASM, RECOVERY TANK WITH LABEL, GREEN	1
	614119	ASM, RECOVERY TANK WITH LABEL, DK. GRAY	1
▲ 6	1026386	LABEL, WARNING [EXPL,FIRE,SHK EN/FR/ES]	1
▽ 7	100102	●CLEAR LID W/STANDARD HOLE	1
▲ 8	100105	●LID, CENTER ONLY, CLEAR	1
▲ 9	100109	●LID, OUTER RING	1
10	140826	SCREW, #6X3/4 PANPHL SHTMTL	6
11	180613	●FLOAT, SHUT-OFF	1
12	3701.6	SCREW, #6X3/8 PANPHL SHTMTL	2
13	230513	ASSEMBLY, CHAIN	1
14	140027	WASHER, 5/16 FLAT	2
15	140015	WASHER, 5/16 LOCK	2
16	16931	SCREW, M8X1.25X20 HEXHD	2

- ▽ ASSEMBLY / CONJUNTO / ENSEMBLE
- ▲ INCLUDED IN ASSEMBLY / INCLUIDO A CONJUNTA / Y COMPRIS EN ENSEMBLE
- RECOMMENDED STOCK ITEM / PIEZAS RECOMENDADAS EN ALMACÉN / ÉLÉMENTS DE STOCK RECOMMANDÉS

REF	PART #	DESCRIPTION	QTY.
17	140960	CABLE, REC TANK SUPPORT	1
18	230938	HINGE, REC TANK	1
19	363503	SCREW, M6X1.0X12 PANHD	11
▽ 20	1010143	●ASSEMBLY, DRAIN HOSE	1
▲▽ 21	1008639	●ASSEMBLY, CAP, DRAIN HOSE	1
▲ 22	1008637	●O-RING	1
▲ 23	1019563	●STRAP, DRAIN CAP	1
▽ 24	130477	●MOTOR, VAC 5.7 3S 24V	1
▲ 25	190163	●BRUSH, CARBON 2/PK	1
26	130096	TERMINAL, MALE	2
27	140000	WASHER, 0.28B, 0.62D, .04, FLAT	3
28	08712	NUT, M6X1.0 NYLOCK	3
29	140052	WASHER, 1/4 LOCK	11
30	140000	WASHER, 0.28B, 0.62D, .04, FLAT	11
31	140308	CLAMP, HOSE 1.31-2.25D	1
32	140353	SCREW, M6X1.0X108 STUD	3
33	626092	●GASKET, VAC MOTOR	1
34	621324	PLUG, EXPANDABLE, 1.5D	1
35	578441	STRAP, HOSE, DRAIN	1
36	N/A	DRAIN HOSE / PLUG ASSEMBLY - REPLACED BY ASSEM. ITEM #20	1

# PARTS LIST - LISTA DE PIEZAS - LISTE DES PIÈCES

## CHASSIS GROUP / CONJUNTO TELAIO / GROUPE DU CHASSIS



# PARTS LIST - LISTA DE PIEZAS - LISTE DES PIÈCES

## CHASSIS GROUP / CONJUNTO TELAIO / GROUPE DU CHASSIS

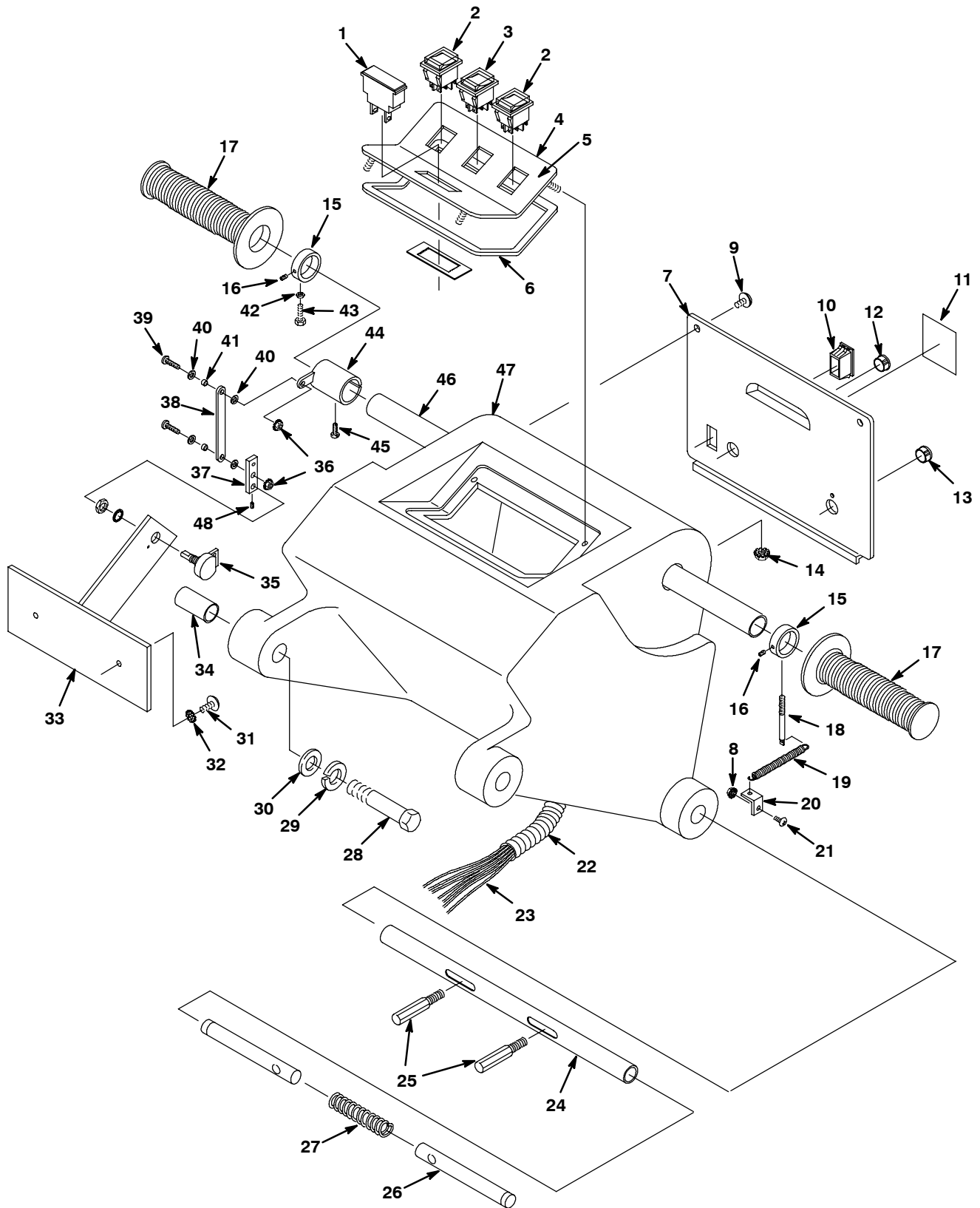
REF	PART #	DESCRIPTION	QTY.
1	130367	CABLE, BATTERY 15" BLK X 6 GA.	3
2	606991	●BATTERY 6V 305AH DUAL TERM	4
	130986	●BATTERY 6V 250AH	4
∇ 3	608518	ASM, COVER SOL. TANK GREEN	1
	701196	ASM, COVER SOL. TANK DK. GRAY	1
▲ 4	612518	COVER, SOL. TANK, GREEN	1
	602712	COVER, SOL. TANK, DK. GRAY	1
▲ 5	611068	HINGE, COVER	1
▲ 6	140706	RIVET, POP 1/8	4
7	3701.6	SCREW, #6X3/8 PANPHL SHTMTL	2
8	140032	WASHER, #6 FLAT	2
9	602529	FILTER, SCREEN	1
10	140300	CLAMP, INSULATED 1/2" ID	1
11	07514	WASHER, #10 LOCK	1
12	1026454	SCREW, PAN, M5X0.8X10,SS	1
13	230665	BRACKET, CHARGER PLUG	1
14	07514	WASHER, #10 LOCK	2
15	1026454	SCREW, PAN, M5X0.8X10,SS	2
16	604556	ASM, WIRE, CHARGE PLUG	1
17	140019	WASHER, #6 LOCK	2
18	2728.12	SCREW #6-32X3/4 PANPHL	2
19	120567	DECAL, WARNING BATT. DIAGRAM	1
20	600649	DECAL, SOLUTION LEVER, CE	1
	614356	DECAL, SOLUTION LEVER, FaST	1
21	600650	DECAL, SQUEEGEE LEVER CE	1
22	230925	SUPPORT, RECOVERY TANK	1
23	611418	SLEEVE, .437D, .315B, .14L	1
24	140027	WASHER, 5/16 FLAT	2
25	140015	WASHER, 5/16 LOCK	1

- ∇ ASSEMBLY / CONJUNTO / ENSEMBLE  
 ▲ INCLUDED IN ASSEMBLY / INCLUIDO A CONJUNTA / Y COMPRIS EN ENSEMBLE  
 ● RECOMMENDED STOCK ITEM / PIEZAS RECOMENDADAS EN ALMACÉN / ÉLÉMENTS DE STOCK RECOMMANDÉS

REF	PART #	DESCRIPTION	QTY.
26	578237000	SCREW M8X1.25X18 HXHDCP	1
27	140706	RIVET, POP 1/8	3
28	1012965	●CAP, PORT, SOLUTION FILL	1
29	01683	WASHER, FLAT #10	1
30	140340	SCREW, PAN #10-24 X 0.62	1
31	150529	FITTING, 3/4M X 3/4H BARB	2
32	600796	HOSE, DRAIN W/LEVEL INDCTR	1
33	630369	CLAMP, HOSE .50 - 1.1	1
34	608448	DECAL, SPEED SCRUB 2701	2
	608447	DECAL, SPEED SCRUB 3301	2
	614357	DECAL, SPEED SCRUB 2701, FaST	2
	614358	DECAL, SPEED SCRUB 3301, FaST	2
35	608184	LABEL, NOBLES LOGO	1
36	1020770	SHIELD, LIGHT	1
37	1026454	SCREW, PAN, M5X0.8X10,SS	2
38	07514	WASHER, #10 LOCK	2
39	130020AM	●LIGHT, SAFETY 19"	1
40	613453	GASKET, 1/2" CLOSED CELL	2
41	608282	TANK, SOLUTION GREEN	1
	101801	TANK, SOLUTION DK. GRAY	1
42	130871	●CHARGER, 24VDC 25AMP (FOR 250-305 AMP BATTERIES)	1
	601734	●CHARGER, 24VDC 36AMP (FOR 250-335 AMP BATTERIES)	1
43	130390	ASM., WIRE #6 BLK 29"	1
44	130391	ASM., WIRE #6 RED 64"	1
45	621324	●PLUG, EXPANSION	1
46	600476	●STRAP, PLUG, REAR FILL	1
47	140011	WASHER, 3/16 FLAT	1
48	140350	SCREW, #10X1/2 PANPHL	1
49	613733	LABEL, ATTENTION (FaST MODEL)	1
50	100707	PLATE, BATTERY SUPPORT	1

# PARTS LIST - LISTA DE PIEZAS - LISTE DES PIÈCES

## CONTROL CONSOLE GROUP / CONJUNTO CONSOLA DE CONTROLES / GROUPE TABLEAU DE COMMANDE



# PARTS LIST - LISTA DE PIEZAS - LISTE DES PIÈCES

## CONTROL CONSOLE GROUP / CONJUNTO CONSOLA DE CONTROLES / GROUPE TABLEAU DE COMMANDE

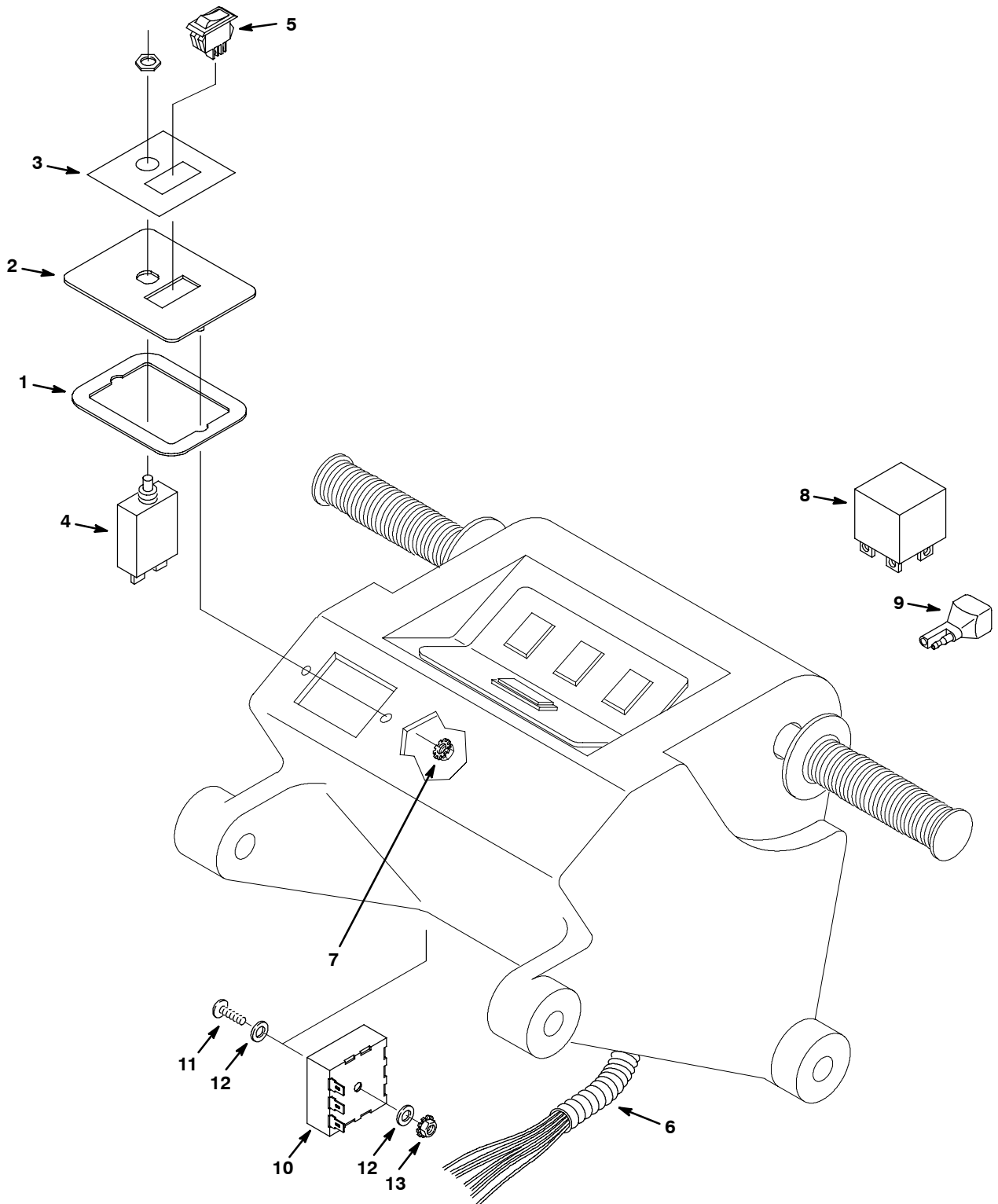
REF	PART #	DESCRIPTION	QTY.
1	606020AM	●METER, BATTERY VOLTAGE 24V	1
2	130816	●SWITCH, ROCKER SPST	2
3	130764	●SWITCH, ROCKER DPST 240V	1
4	230698.BK	PANEL, CONSOLE	1
5	600648	DECAL, DASH CE	1
6	100057	●GASKET, CONSOLE	1
7	606276	PANEL, REAR COVER	1
8	140519	NUT, #10-24 KEP	1
9	140197	SCREW, #10-24X3/8 TRSPHL	2
10	582150	PLUG, ACCESSORY SWITCH	1
11	606105	LABEL, DO NOT SPRAY	1
12	130198	PLUG, PRY OUT .500 OD	1
13	069764626	PLUG, HOLE 012.7MM	1
14	140519	NUT, #10-24 KEP	4
15	230652	COLLAR, HANDLE	2
16	140859	SCREW, 1/4-20X1/4 SET	2
17	200823	●GRIP, HANDLE TUBE	2
18	230491	PIN, SPRING RETURN	1
19	1002114	SPRING, ROLL THROTTLE	1
20	230564	BRACKET, SPRING	1
21	140900	SCREW, #10-24X3/4 TRSPHL	1
22	611986	WRAP, LOOM .50DX1.5'	1
23	600646	●HARNESS, HOUSING	1
24	230613	TUBE, HANDLE ADJUSTMENT	1

- RECOMMENDED STOCK ITEM / PIEZAS RECOMENDADAS EN ALMACÉN / ÉLÉMENTS DE STOCK RECOMMANDÉS

REF	PART #	DESCRIPTION	QTY.
25	230649	PIN, HANDLE ADJUSTMENT	2
26	230648	PIN, HANDLE ADJUSTMENT LOCK	2
27	140415	SPRING, LOCK PIN	1
28	140351	SCREW, M12X1.75X70 HXHDCP	2
29	140024	WASHER, 1/2 LOCK	2
30	3148.816	WASHER, .875X.515X.06 FLAT	2
31	140885	SCREW, 1/4-20X1/2 TRSPHL	2
32	140052	WASHER, 1/4 LOCK	2
33	230690	BRACKET, SPEED POT	1
34	140155	BUSHING, .48X.62X2.00	2
35	190802	●KIT, POT REPLACEMENT	1
36	140519	NUT, #10-24 KEP	2
37	230688	LEVER ARM, SPEED POT	1
38	230689	LINK, SPEED POT	1
39	140900	SCREW, #10-24X3/4 TRSPHL	2
40	41579	WASHER, #8 FLAT	4
41	140138	BUSHING, .19X.25X.14	2
42	32520	NUT, 1/4-20 HXJM	1
43	24672	SCREW, 1/4-20X3/4 HEXHD	1
44	230687	BRACKET, SPEED POT TUBE	1
45	140899	SCREW, #10-24X1-1/4 RNDHD	1
46	230671	HANDLE, TUBE	1
47	101119	HOUSING, CONTROL DK. GRAY	1
	608278	HOUSING, CONTROL GREEN	1
	614359	HOUSING, CONTROL GREEN, FaST MODEL	1
48	140948	SCREW, #10-24X1/4 SET	1

# PARTS LIST - LISTA DE PIEZAS - LISTE DES PIÈCES

## CONTROL CONSOLE GROUP - FaST MODEL / CONJUNTO CONSOLA DE CONTROLES - MODELO FaST / GROUPE TABLEAU DE COMMANDE - MODÈLE FaST





# PARTS LIST - LISTA DE PIEZAS - LISTE DES PIÈCES

## CONTROL CONSOLE GROUP - FaST MODEL / CONJUNTO CONSOLA DE CONTROLES - MODELO FaST / GROUPE TABLEAU DE COMMANDE - MODÈLE FaST

REF	PART #	DESCRIPTION	QTY.
1	1018717	●GASKET, SWITCH, FaST PLATE	1
2	1018645	PLATE, MTG, SWITCH, FaST	1
3	613399	LABEL, FaST SWITCH	1
4	383721	●BREAKER, CIRCUIT, 10 AMP	1
5	630419	●SWITCH, ROCKER, 28VDC	1
6	391937	●HARNESS, WIRE, FaST	1
7	140519	NUT, #10-24 KEP	2

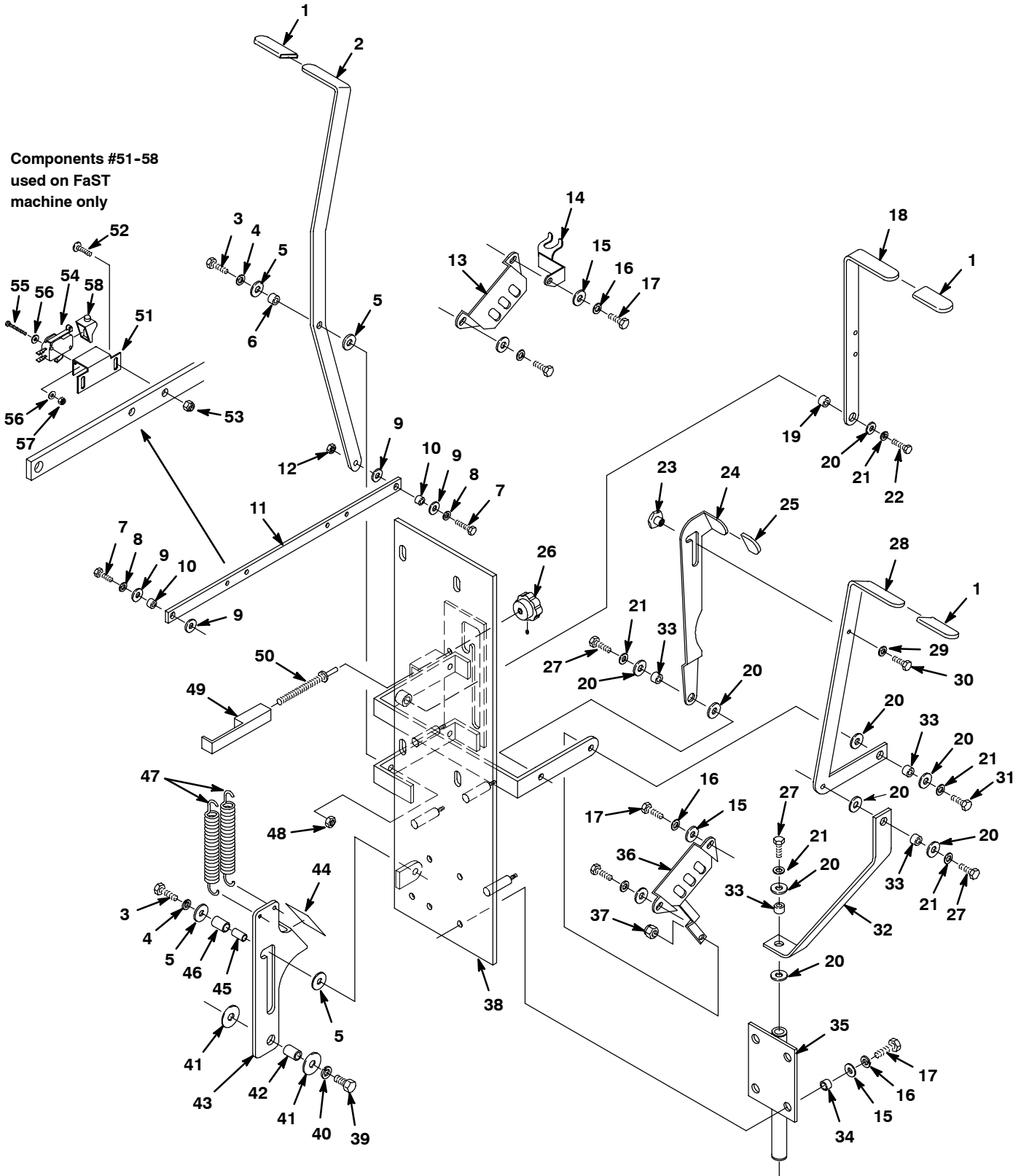
REF	PART #	DESCRIPTION	QTY.
8	49309	●RELAY, 24VDC	1
9	222290	DIODE, ELEC, PLUG	1
10	1018093	●TIMER, PUMP, DETGT, 12-40VDC	1
11	140899	SCREW, #10-24X1.25 RNDHD PHL	1
12	19066	WASHER, #10 FLAT	2
13	140519	NUT, #10-24 KEP	1

- RECOMMENDED STOCK ITEM / PIEZAS RECOMENDADAS EN ALMACÉN /  
ELÉMENTS DE STOCK RECOMMANDÉS

# PARTS LIST - LISTA DE PIEZAS - LISTE DES PIÈCES

## LEVER GROUP / CONJUNTO DE PALANCAS / GROUPE DES LEVIERS

Components #51-58  
used on FaST  
machine only



# PARTS LIST - LISTA DE PIEZAS - LISTE DES PIÈCES

## LEVER GROUP / CONJUNTO DE PALANCAS / GROUPE DES LEVIERS

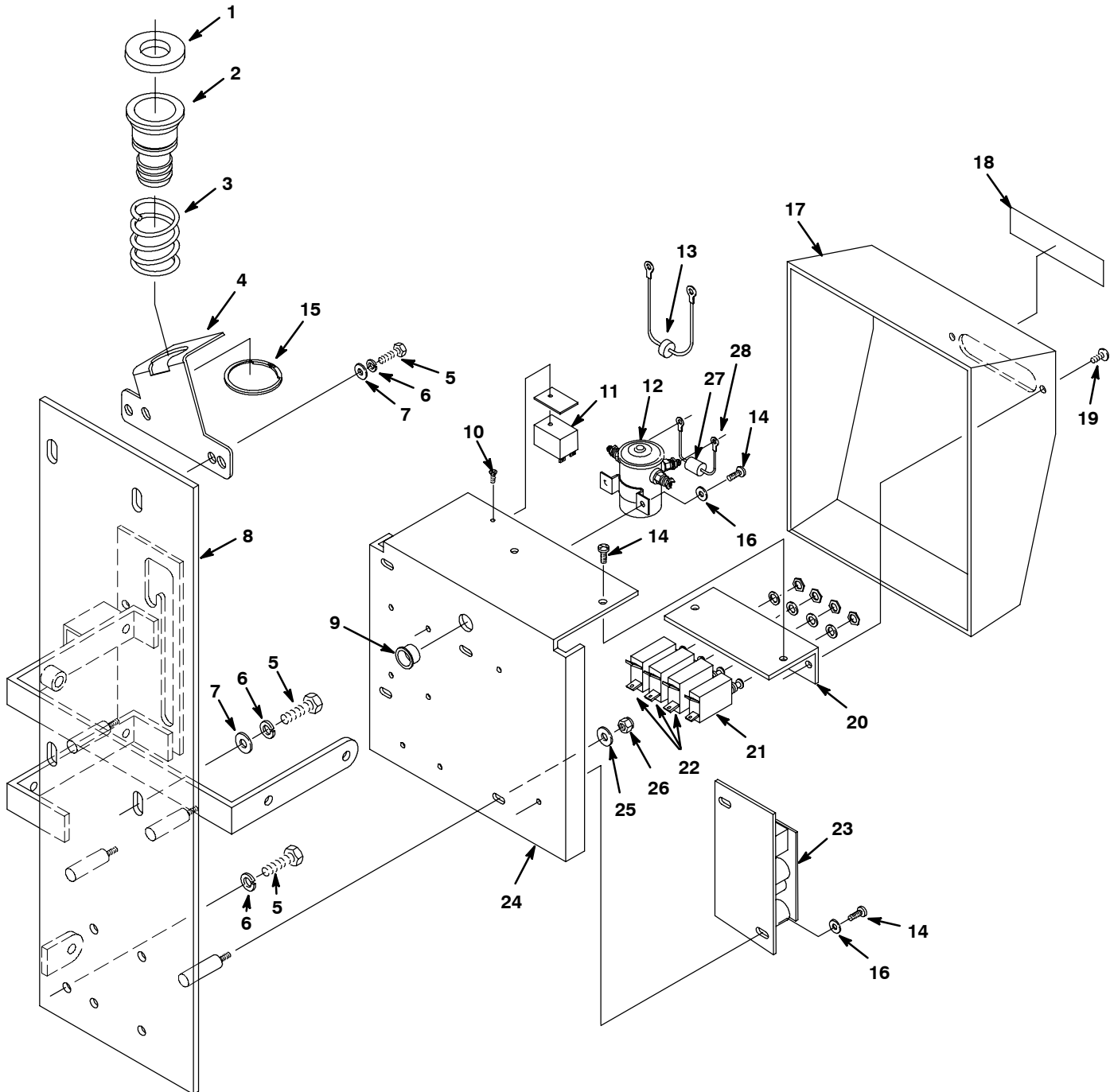
REF	PART #	DESCRIPTION	QTY.
1	200816	●GRIP, HANDLE 1/4X1X2-1/4	3
2	230680	HANDLE, VALVE HANDLE	1
	1018009	HANDLE, VALVE HANDLE, FaST	1
3	69225	SCREW, 3/8-16X1 SS	2
4	140017	WASHER, 3/8 LOCK	2
5	140028	WASHER, 3/8 FLAT	4
6	140136	BUSHING, .38X.50X.28	1
7	140208	SCREW, 1/4-20X1 HEXHD	2
8	140016	WASHER, 1/4 LOCK	2
9	140000	WASHER, 0.28B, 0.62D, .04, FLAT	4
10	140134	SLEEVE, .376D, .253B, .28L	2
11	230656	LEVER, VALVE	1
	1018486	LEVER, VALVE, FaST	1
12	32520	NUT, 1/4-20 HXJM	1
13	230661	PLATE, LOCK CONTROL HOUSING	1
14	611979	BRACKET, DRAIN HOSE HANGER	1
15	140027	WASHER, 5/16 FLAT	8
16	140015	WASHER, 5/16 LOCK	8
17	578237000	SCREW M8X1.25X18 HXHDCP	8
18	230654	HANDLE, BRUSH PRESSURE	1
19	140144	SLEEVE, .496D, .318B, .33L	1
20	140028	WASHER, 3/8 FLAT	9
21	140017	WASHER, 3/8 LOCK	5
22	2949.7	SCREW, 3/8-16X7/8 HEXHD	1
23	230631	SPACER, SQUEEGEE LIFT	1
24	230659	LATCH, SQUEEGEE HANDLE	1
25	200817	●GRIP, HANDLE .095X7/8X1-3/8	1
26	240208	●KNOB, HEIGHT ADJUSTMENT	1
27	02994	SCREW, 3/8-16X3/4 HEXHD	3
28	230658	HANDLE, SQUEEGEE LEVER	1
29	140016	WASHER, 1/4 LOCK	1

REF	PART #	DESCRIPTION	QTY.
30	01697	SCREW, 1/4-20X5/8 HEXHD	1
31	140231	SCREW, 3/8-16X1-1/2 HEXHD	1
32	230660	LINK, SQUEEGEE HANDLE	1
33	140136	BUSHING, .38X.50X.28	4
34	140133	BUSHING, SQUEEGEE MNT BRKT	4
35	230750	BRACKET, SQUEEGEE MOUNT	1
36	230297	PLATE, LOCK CONTROL HOUSING	1
37	59156	NUT, 3/8-16 NYLOCK	1
38	611982	WELDMENT, REAR PANEL	1
39	140237	SCREW, 1/2-13X1 HEXHD	1
40	140024	WASHER, 1/2 LOCK	1
41	140045	WASHER, 1/2 FLAT	2
42	140139	SLEEVE, .625D, .500B, .25L	1
43	230775	LATCH, BRUSH LIFT PEDAL	1
44	102560	PAD, NON-SLIP 1.62 SQ.	1
45	140136	BUSHING, .38X.50X.28 (INNER)	1
46	140145	SLEEVE, .625D, .50B, .25L (OUTER)	1
47	140423	SPRING, BRUSH PRESSURE	2
48	140525	NUT, 3/8-16 HEX	1
49	230944	BLOCK, VALVE STOP	1
50	230945	STUD, VALVE ADJUSTMENT STOP	1
51	1017449	BRACKET, SWITCH (FaST ONLY)	1
52	140890	SCREW, #10-24X0.50 TRSPHL (FaST ONLY)	2
53	140519	NUT, #10-24 KEP (FaST ONLY)	2
54	49539	●SWITCH, SNAP ACTN, 250VAC 15A SPDT RLR (FaST ONLY)	1
55	578403000	SCREW, M3X0.5X20 PANPHL (FaST ONLY)	2
56	200301012	WASHER, M3 FLAT (FaST ONLY)	4
57	579211	NUT, M3X0.5 HEXLK (FaST ONLY)	2
58	600372	●BOOT, SWITCH (FaST ONLY)	1

- RECOMMENDED STOCK ITEM / PIEZAS RECOMENDADAS EN ALMACÉN / ÉLÉMENTS DE STOCK RECOMMANDÉS

# PARTS LIST - LISTA DE PIEZAS - LISTE DES PIÈCES

## ELECTRICAL PANEL GROUP / CONJUNTO CONSOLA ELÉCTRICO / GROUPE TABLEAU D'ELECTRIQUE



# PARTS LIST - LISTA DE PIEZAS - LISTE DES PIÈCES

## ELECTRICAL PANEL GROUP / CONJUNTO CONSOLA ELÉCTRICO / GROUPE TABLEAU D'ELECTRIQUE

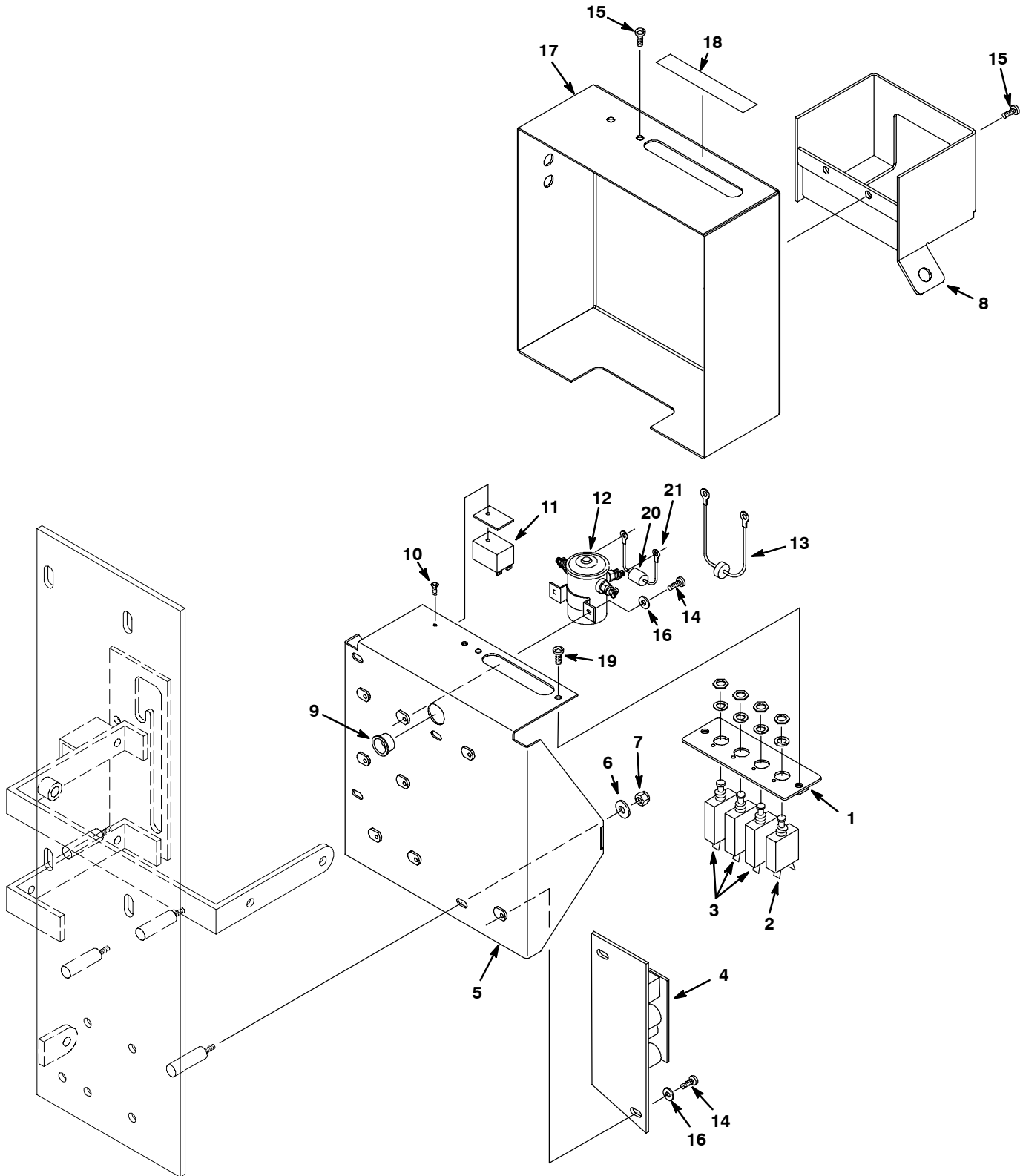
REF	PART #	DESCRIPTION	QTY.
1	630010	GASKET, TUBE-ADAPTER	1
2	630011	TUBE, VAC TRANS	1
3	630267	SPRING, TUBE-ADAPTER	1
4	608706	BRACKET, VAC TRANS	1
5	578237000	SCREW M8X1.25X18 HXHDCP	5
6	140015	WASHER, 5/16 LOCK	5
7	140027	WASHER, 5/16 FLAT	4
8	611982	WELDMENT, REAR PANEL	1
9	130104	BUSHING, SNAP .88ID - BLACK	1
10	140565	SCREW, #4-40X3/8 FLTPHL	1
11	130021	●FLASHER, 24VDC	1
12	605905AM	●SOLENOID, 24VDC	3
13	604486	●DIODE ASSY, SPLICED	1

- RECOMMENDED STOCK ITEM / PIEZAS RECOMENDADAS EN ALMACÉN / ÉLÉMENTS DE STOCK RECOMMANDÉS

REF	PART #	DESCRIPTION	QTY.
14	140197	SCREW, #10-24X3/8 TRSPHL	10
15	630016	RING, RETAINING	1
16	19066	WASHER, #10 FLAT	8
17	611756	COVER, ELECTRICAL PANEL	1
18	600651	DECAL, CIRCUIT BREAKER CE	1
19	140197	SCREW, #10-24X3/8 TRSPHL	2
20	230553	BRACKET, CIRCUIT BREAKER	1
21	130755AM	●BREAKER, CIRCUIT 10A	1
22	130756	●BREAKER, CIRCUIT 35A	3
23	190959	●ASM, SPEED CONTROL	1
24	230552	PANEL, ELECTRICAL	1
25	140000	WASHER, 0.28B, 0.62D, .04, FLAT	4
26	08712	NUT, M6X1.0 NYLOCK	4
27	606404	●ASM, DIODE W/RING TERMINALS	3
28	281001009	TERMINAL, RING, #10 14-16	6

# PARTS LIST - LISTA DE PIEZAS - LISTE DES PIÈCES

## ELECTRICAL PANEL GROUP - FaST MODEL / CONJUNTO CONSOLA ELÉCTRICO - MODELO FaST / GROUPE TABLEAU D'ÉLECTRIQUE - MODÈLE FaST



# PARTS LIST - LISTA DE PIEZAS - LISTE DES PIÈCES

## ELECTRICAL PANEL GROUP - FaST MODEL / CONJUNTO CONSOLA ELÉCTRICO - MODELO FaST / GROUPE TABLEAU D'ÉLECTRIQUE - MODÈLE FaST

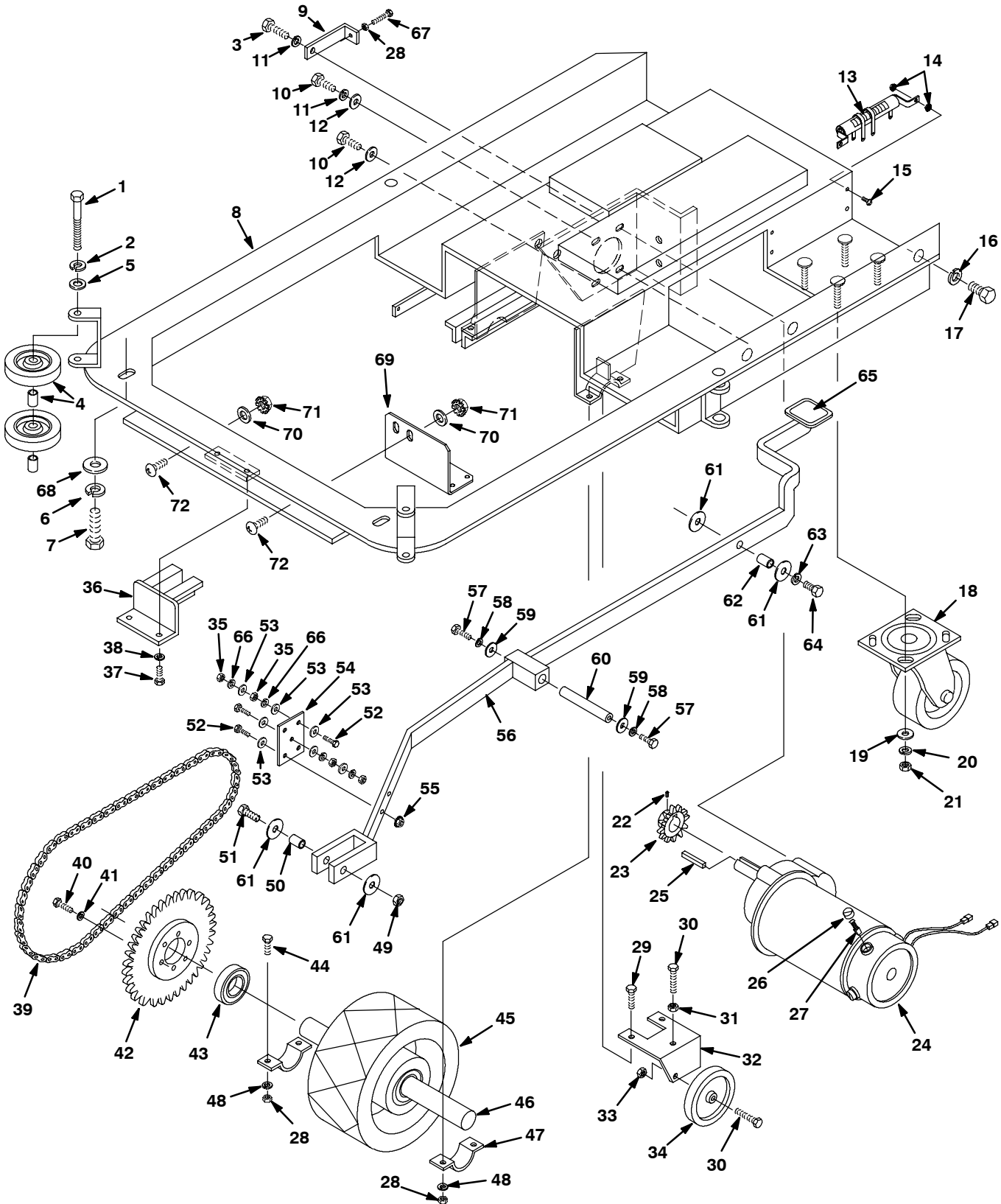
REF	PART #	DESCRIPTION	QTY.
1	1018628	BRACKET, CIRCUIT BREAKER	1
2	130755AM	●BREAKER, CIRCUIT 10A	1
3	130756	●BREAKER, CIRCUIT 35A	3
4	190959	●ASM, SPEED CONTROL	1
5	1017119	PANEL, ELECTRICAL	1
6	140000	WASHER, 1/4 FLAT	4
7	08712	NUT, M6X1.0 NYLOCK	4
8	1016745	BRACKET, BOX, DETERGENT	1
9	130104	BUSHING, SNAP .88ID - BLACK	1
10	140565	SCREW, #4-40X3/8 FLTPHL	1

- RECOMMENDED STOCK ITEM / PIEZAS RECOMENDADAS EN ALMACÉN / ÉLÉMENTS DE STOCK RECOMMANDÉS

REF	PART #	DESCRIPTION	QTY.
11	130021	●FLASHER, 24VDC	1
12	605905AM	●SOLENOID, 24VDC	3
13	604486	DIODE ASSY, SPLICED	1
14	140197	SCREW, #10-24X3/8 TRSPHL	8
15	605975	SCREW, TRS, #10-24X0.50 SEM	3
16	19066	WASHER, #10 FLAT	8
17	1016968	COVER, ELECTRICAL PANEL	1
18	600651	DECAL, CIRCUIT BREAKER CE	1
19	140197	SCREW, #10-24X3/8 TRSPHL	2
20	606404	●ASM, DIODE W/RING TERMINALS	3
21	281001009	TERMINAL, RING, #10 14-16	6

# PARTS LIST - LISTA DE PIEZAS - LISTE DES PIÈCES

## DRIVE WHEEL GROUP / CONJUNTO RUEDA DE MANDO / GROUPE ROUE ENTRAINEMENT





# PARTS LIST - LISTA DE PIEZAS - LISTE DES PIÈCES

## DRIVE WHEEL GROUP / CONJUNTO RUEDA DE MANDO / GROUPE ROUE ENTRAINEMENT

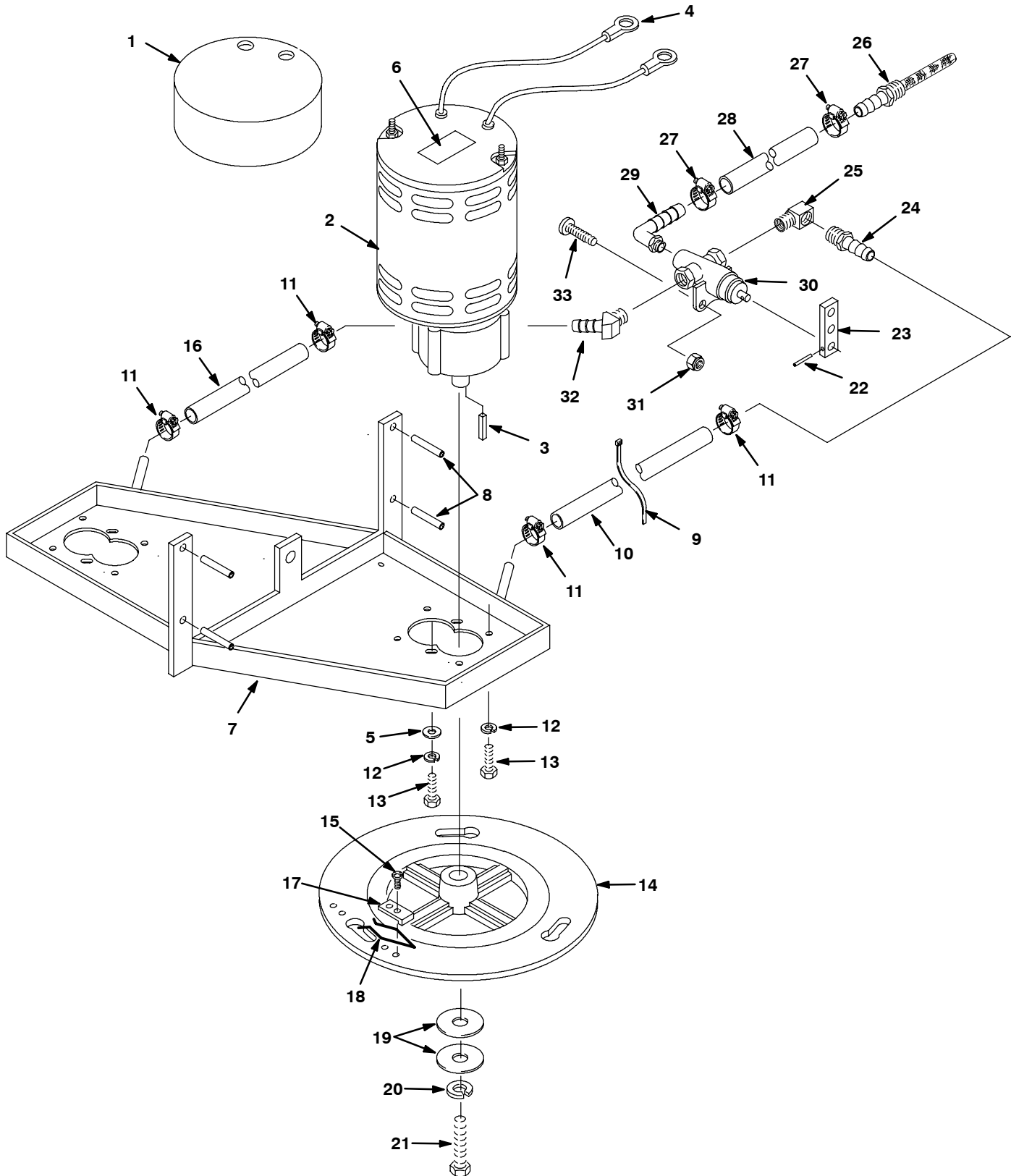
REF	PART #	DESCRIPTION	QTY.
1	600349	SCREW, 5/16-18X2-3/4 HEXHD	2
2	140015	WASHER, 5/16 LOCK	2
3	611048	SCREW, 3/8-16X1-1/4 HEXHD	1
4	1014918	●WHEEL, RUBBER, 3"X1"	4
5	140027	WASHER, 5/16 FLAT	2
6	140333	WASHER, M10 LOCK	2
7	140276	SCREW, M10X1.5X16 HEXHD	2
8	1016124	CHASSIS, WELDMENT	1
9	230655	BRACKET, DRIVE MTR TENSION	1
10	69225	SCREW, 3/8-16X1 SS	3
11	140017	WASHER, 3/8 LOCK	3
12	140028	WASHER, 3/8 FLAT	3
13	130713	●RESISTOR, 100 WATT .9 OHM	2
14	140519	NUT, #10-24 KEP	8
15	140900	SCREW, #10-24X3/4 TRSPHL	4
16	140024	WASHER, 1/2 LOCK	3
17	09745	SCREW, M12X1.75X25 HEXHD	3
18	103002	●CASTER, 4" SWIVEL (STD)	2
	608255	●CASTER, 4" SWIVEL (SOFTER TREAD COMPOUND)	2
19	140036	WASHER, 3/8 FLAT	8
20	140333	WASHER, M10 LOCK	8
21	140285	NUT, M10X1.5 HEX	8
22	140859	SCREW, 1/4-20X1/4 SET	1
23	240071	SPROCKET, DRIVE MOTOR #40-10	1
∇ 24	613422	●MOTOR, DRIVE, 24V, .5HP	1
25	140632	●KEY, 1/4X1/4X1" (key not included with motor)	1
▲ 26	613424	●CAP, CARBON BRUSH	4
▲ 27	130508	●CARBON BRUSH	4
28	140525	NUT, 3/8-16 HEX	5
29	611048	SCREW, 3/8-16X1-1/4 HEXHD	2
30	140233	SCREW, 3/8-16X1-3/4 HEXHD	2
31	140525	NUT, 3/8-16 HEX	1
32	230796	BRACKET, WHEEL SUPPORT	1
33	140525	NUT, 3/8-16 HEX	1
34	103007	●WHEEL, 4" X 1"	1

- ∇ ASSEMBLY / CONJUNTO / ENSEMBLE  
 ▲ INCLUDED IN ASSEMBLY / INCLUIDO A CONJUNTA / Y COMPRIS EN ENSEMBLE  
 ● RECOMMENDED STOCK ITEM / PIEZAS RECOMENDADAS EN ALMACÉN / ÉLÉMENTS DE STOCK RECOMMANDÉS

REF	PART #	DESCRIPTION	QTY.
35	140510	NUT, 1/4-20 HEXJAM	6
36	230941	BRACKET, FRONT LIFT GUIDE	1
37	140015	WASHER, 5/16 LOCK	2
38	15675	SCREW, M8X1.25X16 HEXHD	2
39	606426	●KIT, CHAIN & LINKS	1
40	02991	SCREW, 5/16-18X3/4 HEXHD	6
41	140015	WASHER, 5/16 LOCK	6
42	240070	SPROCKET, #40-39 DRIVE WHEEL	1
43	140124	BEARING	2
44	611048	SCREW, 3/8-16X1-1/4 HEXHD	2
45	103058	●WHEEL, 8" DRIVE	1
46	230205	SHAFT, DRIVE WHEEL	1
47	611980	CLAMP, AXLE	2
48	140017	WASHER, 3/8 LOCK	4
49	140509	NUT, 1/2-13 HEXJAM	1
50	604646	SLEEVE, .625D, .501B, .66L	1
51	140235	SCREW, 1/2-13X2 HEXHD	1
52	140208	SCREW, 1/4-20X1 HEXHD	5
53	140000	WASHER, 0.28B, 0.62D, .04, FLAT	8
54	230554	BOARD, CONNECTION	1
55	140524	NUT, 1/4-20 KEP	2
56	611396	PEDAL, LIFT, SCRUBHEAD	1
57	15678	SCREW, M6X1.0X16 HEXHD	2
58	140016	WASHER, 1/4 LOCK	2
59	140003	WASHER, 1/4X1 FENDER	2
60	230940	PIN, LIFT ARM PIVOT	1
61	140045	WASHER, 1/2 FLAT	4
62	140139	SLEEVE, .625D, .500B, .25L	1
63	140024	WASHER, 1/2 LOCK	1
64	140237	SCREW, 1/2-13X1 HEXHD	1
65	102560	PAD, NON-SLIP 1.62 SQ.	1
66	140016	WASHER, 1/4 LOCK	6
67	140231	SCREW, 3/8-16X1-1/2 HEXHD	1
68	140028	WASHER, 3/8 FLAT	2
69	1017046	BRACKET, MTG, PUMP (FaST MACHINE ONLY)	1
70	140000	WASHER, 0.28B, 0.62D, .04, FLAT (FaST MACHINE ONLY)	3
71	140524	NUT, 1/4-20 KEP (FaST MACHINE ONLY)	3
72	140824	SCREW, .25-20X0.62 TRSPHL (FaST MACHINE ONLY)	3

# PARTS LIST - LISTA DE PIEZAS - LISTE DES PIÈCES

## BRUSH DRIVE AND SOLUTION HOSE GROUP / ACCIONAMIENTO DEL CEPILLO Y GRUPO DE MANGUERA DE SOLUCIÓN / COMMANDE DE GROUPE DES BROSSES ET DU TUYAU DE SOLUTION



# PARTS LIST - LISTA DE PIEZAS - LISTE DES PIÈCES

## BRUSH DRIVE AND SOLUTION HOSE GROUP / ACCIONAMIENTO DEL CEPILLO Y GRUPO DE MANGUERA DE SOLUCIÓN / COMMANDE DE GROUPE DES BROSSES ET DU TUYAU DE SOLUTION

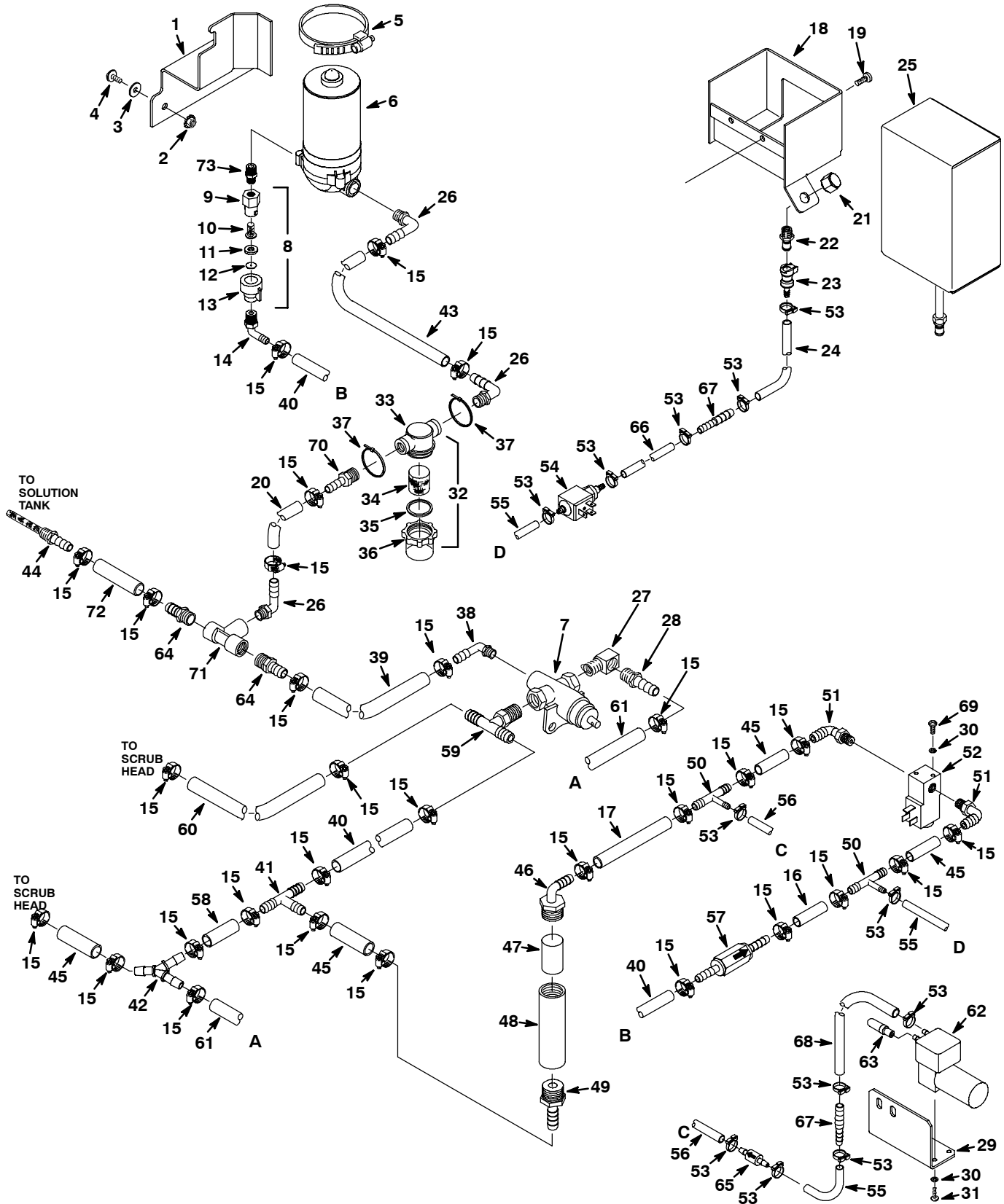
REF	PART #	DESCRIPTION	QTY.
1	100764	COVER, BRUSH MOTOR	2
∇ 2	130491	●MOTOR, W/GEARBOX 3/4HP IMP	2
▲	190970	●CARBON BRUSH	4
▲ 3	140632	●KEY, 1/4X1/4X1"	1
4	281001014	TERMINAL, RING	4
5	140028	WASHER, 3/8 FLAT	4
6	606243	TAPE, DOUBLE STICK	1
7	230691	BRACKET, BRUSH MOTOR MOUNT	1
8	140618	PIN, ROLL 1/4 X 1-1/2	4
9	130041	WIRE TIE	1
10	606248	HOSE, PVC, WIR, 0.38ID 0.62OD 17.0L	1
11	54333	CLAMP, HOSE 5/16-7/8	4
12	140017	WASHER, 3/8 LOCK	8
13	69225	SCREW, 3/8-16X1 SS	8
14	606335	PLATE, DRIVE	2
15	606915	SCREW, #10-16X3/8 HIGH-LOW	4
16	613440	HOSE, PVC, WIR, 0.38ID 0.62OD 9.0L	1
17	230651	CLAMP, BRUSH PLATE	2

REF	PART #	DESCRIPTION	QTY.
18	140417	CLIP, SPRING	2
19	25732	WASHER, 1.25 X .359 X .093	4
20	140015	WASHER, 5/16 LOCK	2
21	140219	SCREW, 5/16-18X1 HEXHD	2
22	140616	PIN, ROLL 3/32DIA X 5/8	1
23	230657	ARM, VALVE	1
24	150516	FITTING, STR, BM06/PF04	1
25	27048	FITTING, E90, PM04/PF04	1
26	180640	FILTER, SCREEN, 012 MESH	1
27	54333	CLAMP, HOSE 5/16-7/8	2
28	605098	HOSE, PVC, CLR, 0.62ID 0.88OD 13.6L	1
29	150409	FITTING, 1/4MX5/8H ELBOW 90	1
30	210259	●VALVE, BALL, 3-WAY, 05PF	1
31	140552	NUT, #10-24 NYLCK	2
32	605394	FITTING, E45, BM06/PM04	1
33	140895	SCREW, #10-24X3/4 RNDPHL	2

- ∇ ASSEMBLY / CONJUNTO / ENSEMBLE
- ▲ INCLUDED IN ASSEMBLY / INCLUIDO A CONJUNTA / Y COMPRIS EN ENSEMBLE
- RECOMMENDED STOCK ITEM / PIEZAS RECOMENDADAS EN ALMACÉN / ÉLÉMENTS DE STOCK RECOMMANDÉS

# PARTS LIST - LISTA DE PIEZAS - LISTE DES PIÈCES

## SOLUTION GROUP - FaST MODEL / GRUPO DE SOLUCIÓN - MODELO FaST / GROUPE DE SOLUTION - MODÈLE FaST



# PARTS LIST - LISTA DE PIEZAS - LISTE DES PIÈCES

## SOLUTION GROUP - FaST MODEL / GRUPO DE SOLUCIÓN - MODELO FaST / GROUPE DE SOLUTION - MODÈLE FaST

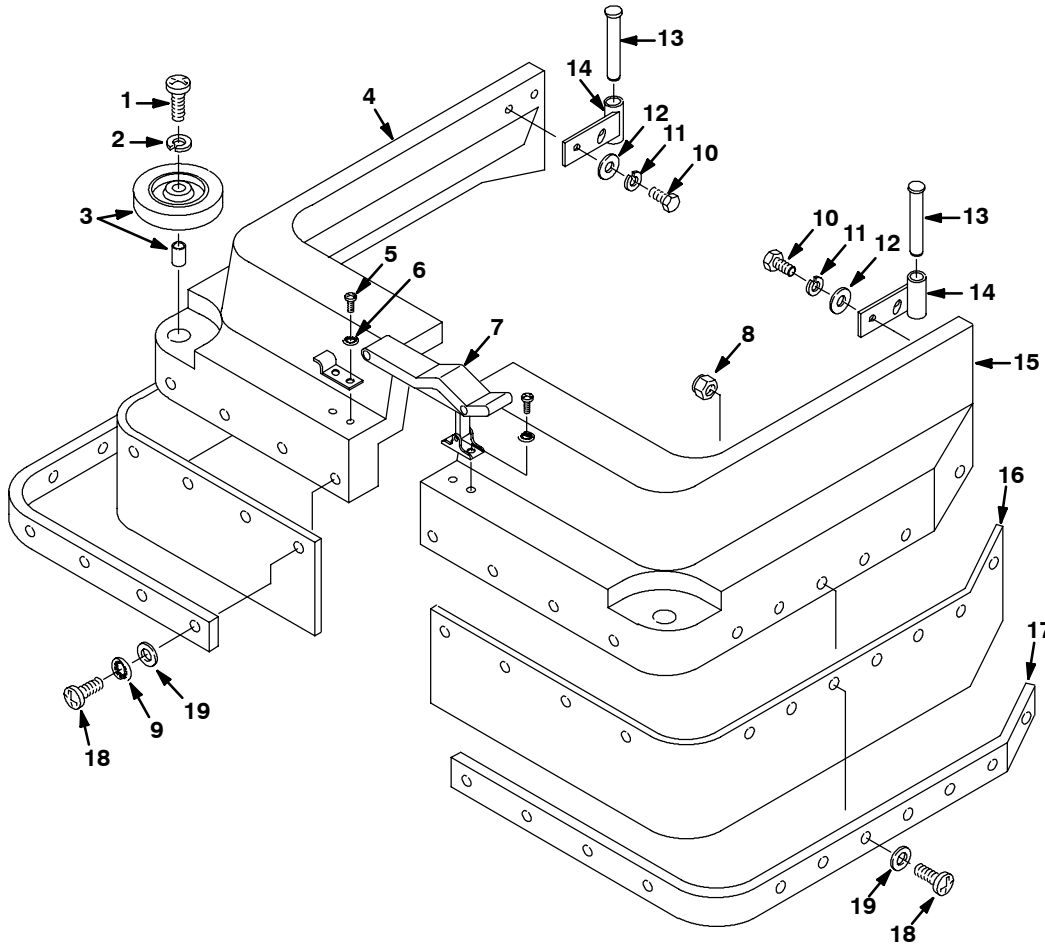
REF	PART #	DESCRIPTION	QTY.
1	1002603	BRACKET, PUMP, SOLUTION	1
2	140524	NUT, 1/4-20 KEP	2
3	140000	WASHER, FLAT, 0.28B 0.62D	2
4	140824	SCREW, .25-20X0.62 TRS PHL	2
5	43555	CLAMP, HOSE 1.62-3.5OD	1
6	1002345	●PUMP, SOLUTION ELE 24VDC	1
7	210259	●VALVE, BALL, 3-WAY, 05PF	1
∇ 8	1005522	ASSY, FITTING, CAP, 0.040B, PF04	1
▲ 9	1005507	FITTING, PLSTC, BODY SPRAY	1
▲ 10	1006447	●STRAINER, ORIFICE	1
▲ 11	1005508	WASHER, .034B 0.75D 0.12	1
▲ 12	1005510	PLATE, ORIFICE, 0.040ID	1
▲ 13	1005506	FITTING, PLSTC CAP SPRAY	1
14	57248	FITTING, PLSTC E90 BM06/PM04	1
15	54333	CLAMP, HOSE, 0.31-0.88D	30
16	613724	HOSE, PVC, BRD, 0.38ID 0.60OD 10.0L, CLR	1
17	606249	HOSE, PVC, WIR, 0.38ID 0.62OD 8.0L, CLR	1
18	1016745	BRACKET, BOX, DETGT.	1
19	605975	SCREW, TRS, #10-24X0.50 SEM	2
20	613724	HOSE, PVC, BRD, 0.38ID 0.60OD 10.0L, CLR	1
21	1005435	FITTING, PLSTC, CAP, PF04	1
22	1006206	COUPLING, MALE .25NPT	1
23	1006204	●COUPLING, FEM W/VALVE	1
24	613842	HOSE, PVC, CLR, 0.25ID 0.38OD 15.0L	1
25	1017019	●DETERGENT, PKG, 2-LITER, SGL	1
26	1005630	FITTING, PLSTC E90 BM06/PM06	3
27	27048	FITTING, BRS E90 PM04/PF04	1
28	150516	FITTING, BRS STR BM06/PM04	1
29	1017046	BRACKET, MTG, PUMP	1
30	19066	WASHER, #10 FLAT	4
31	577031000	SCREW, #8X1/2 PANPHL	2
∇ 32	1005302	●FILTER, INLINE, PF06/PF06 80 MESH	1
▲ 33	613993	●BODY, TOP, FILTER	1
▲ 34	1005304	●SCREEN, FILTER, 80 MESH	1
▲ 35	613992	●GASKET, VITON, FILTER	1
▲ 36	613991	●BOWL, CLEAR, FILTER	1
37	130041	TIE, CABLE	2
38	150409	FITTING, PLSTC, E90 PM04/BM10	1

REF	PART #	DESCRIPTION	QTY.
39	605098	HOSE, PVC, CLR, 0.62ID 0.88OD 13.6L	1
40	613724	HOSE, PVC, BRD, 0.38ID 0.60OD 10.0L, CLR	1
41	160310	FITTING, TEE BM06/BM06/BM06	1
42	1017255	FITTING, Y BM06/BM06/BM06	1
43	606249	HOSE, PVC, WIR, 0.38ID 0.62OD 8.0L, CLR	1
44	180640	●FILTER, SCREEN, 012 MESH	1
45	613717	HOSE, PVC, BRD, 0.38ID 0.60OD 2.0L, CLR	1
46	79484	FITTING, PLSTC E90 BM06/PM12	1
47	1002789	●FILTER, FOAM	3
48	1005086	TUBE, PLASTIC 25MM ID	1
49	73467	FITTING, STR BM06/PM12 NYLON	1
50	61456	FITTING, TEE BM06/BM03/BM06	2
51	1017938	FITTING, BRS E90 BM06/PM02	2
52	1002530	●VALVE, SHUTOFF ELECT 24VDC	1
53	1014575	CLAMP, HOSE, PLSTC	12
54	1005413	●PUMP, CONCENTRATE 24VDC	1
55	613720	HOSE, PVC, CLR, 0.19ID 0.38OD 3.0L	1
56	613720	HOSE, PVC, CLR, 0.19ID 0.38OD 3.0L	1
57	210044	●VALVE, CHECK BM06/BM06	1
58	606249	HOSE, PVC, WIR, 0.38ID 0.62OD 8.0L, CLR	1
59	1017340	FITTING, TEE, BM06/PM04/BM06	1
60	606667	HOSE, PVC, WIR, 0.38ID 0.62OD 10.0L, CLR	1
61	613722	HOSE, PVC BRD, 0.38ID 0.60OD 21.0L, CLR	1
62	1002344	●PUMP, AIR	1
63	1005255	●FILTER, ASM AIR	1
64	1013900	FITTING, PLSTC STR, BM10/PM06	2
65	1005327	FITTING, CVALVE BM03/BM03	1
66	1006420	HOSE, PVC, CLR, 0.19ID 3.0FT.	1
67	1005324	FITTING, PLSTC STR BM03/BM04	2
68	613727	HOSE, PVC, CLR, 0.25ID 0.38OD 11.0L	1
69	606915	SCREW, #10-16X3/8 HIGH-LOW	2
70	61118	FITTING, PLSTC STR, BM06/PM06	1
71	1017319	FITTING, TEE, PF06/PF06/PF06	1
72	605099	HOSE, PVC, CLR, 0.62ID 0.88OD 3.0L	1
73	1005219	FITTING, PLSTC, STR PM04/PM06	1

- ∇ ASSEMBLY / CONJUNTO / ENSEMBLE  
 ▲ INCLUDED IN ASSEMBLY / INCLUIDO A CONJUNTA / Y COMPRIS EN ENSEMBLE  
 ● RECOMMENDED STOCK ITEM / PIEZAS RECOMENDADAS EN ALMACÉN / ÉLÉMENTS DE STOCK RECOMMANDÉS

# PARTS LIST - LISTA DE PIEZAS - LISTE DES PIÈCES

SKIRT GROUP - 2701 Model / CONJUNTO JUEGO - Modelo 2701 / GROUPE SOUFLET JUPE - Modèle 2701



REF	PART #	DESCRIPTION	QTY.
∇	611016	ASSEMBLY, SKIRT, RIGHT, GREEN (2701)	1
∇	601334	ASSEMBLY, SKIRT, RIGHT, DK. GRAY (2701)	1
∇	611017	ASSEMBLY, SKIRT, LEFT, GREEN (2701)	1
∇	601333	ASSEMBLY, SKIRT, LEFT, DK. GRAY (2701)	1
▲▲	1	603154 SCREW, M8X1.25X40 PANPHL	1
▲▲	2	140015 WASHER, 5/16 LOCK	1
▲▲	3	1014918 ●WHEEL, RUBBER, 3"X1"	1
▲	4	608699 SKIRT, RIGHT SIDE, GREEN (2701)	1
		101072 SKIRT, RIGHT SIDE, DK. GRAY (2701)	1
▲▲	5	200070340 SCREW, M4X0.7X8 PANPHL	2
▲▲	6	02938 WASHER, #8 LOCK	2
▲	7	49800 ●LATCH, HOOD W/KEEPER	1

REF	PART #	DESCRIPTION	QTY.
▲▲	8	09739 NUT, M5X0.8 NYLOCK	3
▲▲	9	07514 WASHER, #10 LOCK	6
▲▲	10	578237000 SCREW, M8X1.25X18 HXHDCP	2
▲▲	11	140015 WASHER, 5/16 LOCK	2
▲▲	12	140027 WASHER, 5/16 FLAT	2
	13	230943 ●PIN, SKIRT	2
▲▲	14	230942 BRACKET, MOUNTING, SKIRT	1
▲	15	608697 SKIRT, LEFT SIDE, GREEN (2701)	1
		101071 SKIRT, LEFT SIDE, DK. GRAY (2701)	1
▲▲	16	240277 SPLASH GUARD (2701)	1
▲▲	17	230935.BK STRAP, SPLASH GUARD (2701)	1
▲▲	18	578144000 SCREW, M5X0.8X16 PANPHL	11
▲▲	19	140011 WASHER, 3/16 FLAT	11

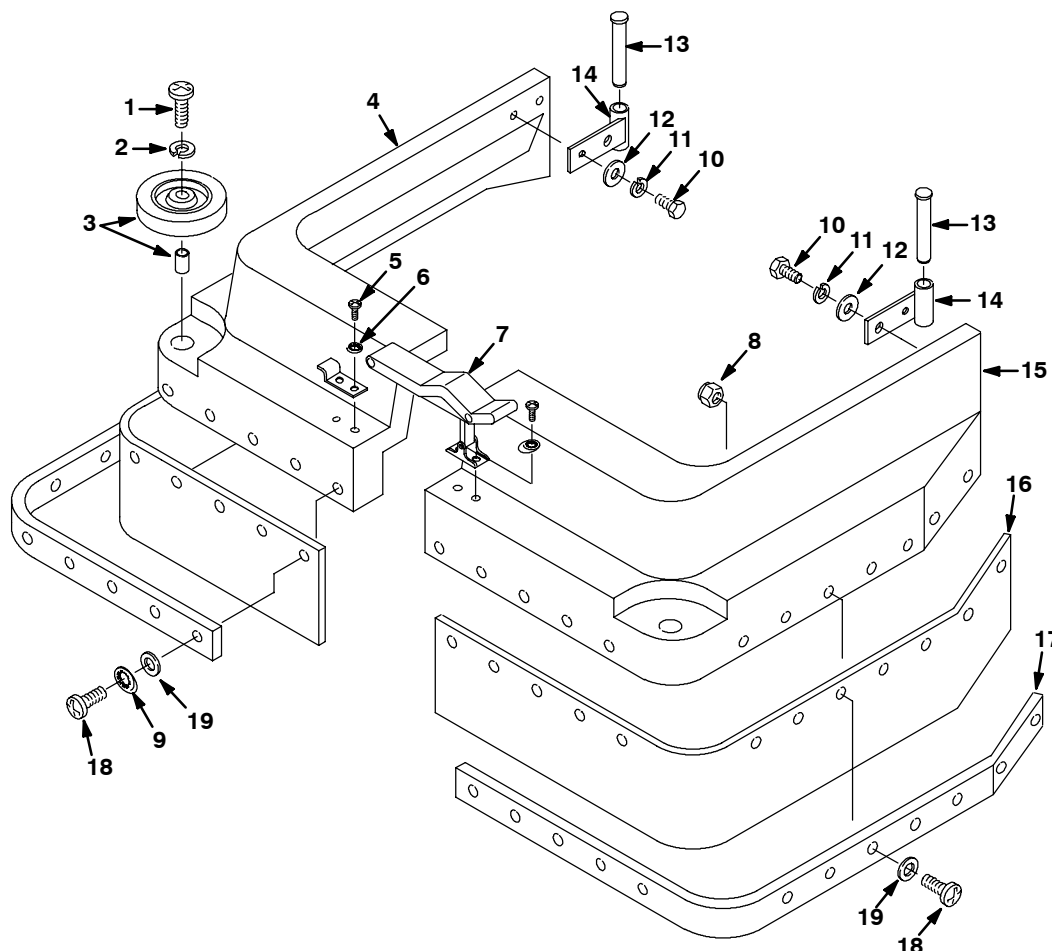
∇ ASSEMBLY / CONJUNTO / ENSEMBLE

▲ INCLUDED IN ASSEMBLY / INCLUIDO A CONJUNTA / Y COMPRIS EN ENSEMBLE

● RECOMMENDED STOCK ITEM / PIEZAS RECOMENDADAS EN ALMACÉN / ÉLÉMENTS DE STOCK RECOMMANDÉS

# PARTS LIST - LISTA DE PIEZAS - LISTE DES PIÈCES

## SKIRT GROUP - 3301 Model / CONJUNTO JUEGO - Modelo 3301 / GROUPE SOUFLET JUPE - Modèle 3301



REF	PART #	DESCRIPTION	QTY.
∇	611018	ASSEMBLY, SKIRT, RIGHT, GREEN (3301)	1
∇	601336	ASSEMBLY, SKIRT, RIGHT, DK. GRAY (3301)	1
∇	611019	ASSEMBLY, SKIRT, LEFT, GREEN (3301)	1
∇	601335	ASSEMBLY, SKIRT, LEFT, DK. GRAY (3301)	1
▲▲	1	603154 SCREW, M8X1.25X40 PANPHL	1
▲▲	2	140015 WASHER, 5/16 LOCK	1
▲▲	3	1014918 ●WHEEL, RUBBER, 3"X1"	1
▲	4	608288 SKIRT, RIGHT SIDE, GREEN (3301)	1
		101074 SKIRT, RIGHT SIDE, DK. GRAY (3301)	1
▲▲	5	200070340 SCREW, M4X0.7X8 PANPHL	2
▲▲	6	02938 WASHER, #8 LOCK	2
▲	7	49800 ●LATCH, HOOD W/KEEPER	1

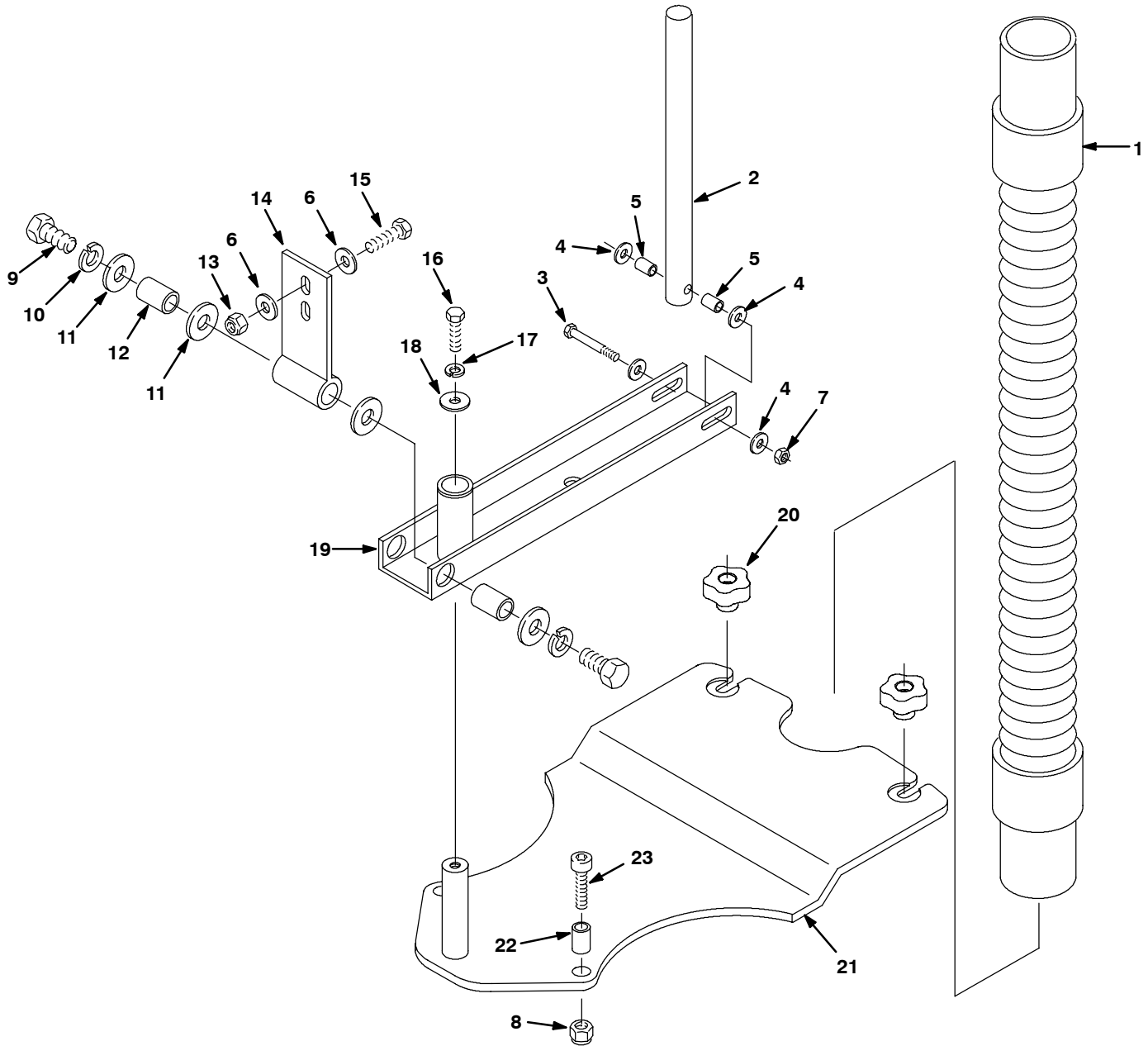
REF	PART #	DESCRIPTION	QTY.
▲▲	8	09739 NUT, M5X0.8 NYLOCK	6
▲▲	9	07514 WASHER, #10 LOCK	8
▲▲	10	578237000 SCREW M8X1.25X18 HXHDCP	2
▲▲	11	140015 WASHER, 5/16 LOCK	2
▲▲	12	140027 WASHER, 5/16 FLAT	2
	13	230943 ●PIN, SKIRT	2
▲▲	14	230942 BRACKET, MOUNTING, SKIRT	1
▲	15	608286 SKIRT, LEFT SIDE, GREEN (3301)	1
		101073 SKIRT, LEFT SIDE, DK. GRAY (3301)	1
▲▲	16	240276 SPLASH GUARD (3301)	1
▲▲	17	230934.BK STRAP, SPLASH GUARD (3301)	1
▲▲	18	578144000 SCREW, M5X0.8X16 PANPHL	12
▲▲	19	140011 WASHER, 3/16 FLAT	12

∇ ASSEMBLY / CONJUNTO / ENSEMBLE

▲ INCLUDED IN ASSEMBLY / INCLUIDO A CONJUNTA / Y COMPRIS EN ENSEMBLE

● RECOMMENDED STOCK ITEM / PIEZAS RECOMENDADAS EN ALMACÉN / ÉLÉMENTS DE STOCK RECOMMANDÉS

SQUEEGEE CONTROL GROUP  
GRUPO DE CONTROL DE LA ESCOBILLA DE GOMA / GROUPE DE LA RACLETTE





# PARTS LIST - LISTA DE PIEZAS - LISTE DES PIÈCES

## SQUEEGEE CONTROL GROUP GRUPO DE CONTROL DE LA ESCOBILLA DE GOMA / GROUPE DE LA RACLETTE

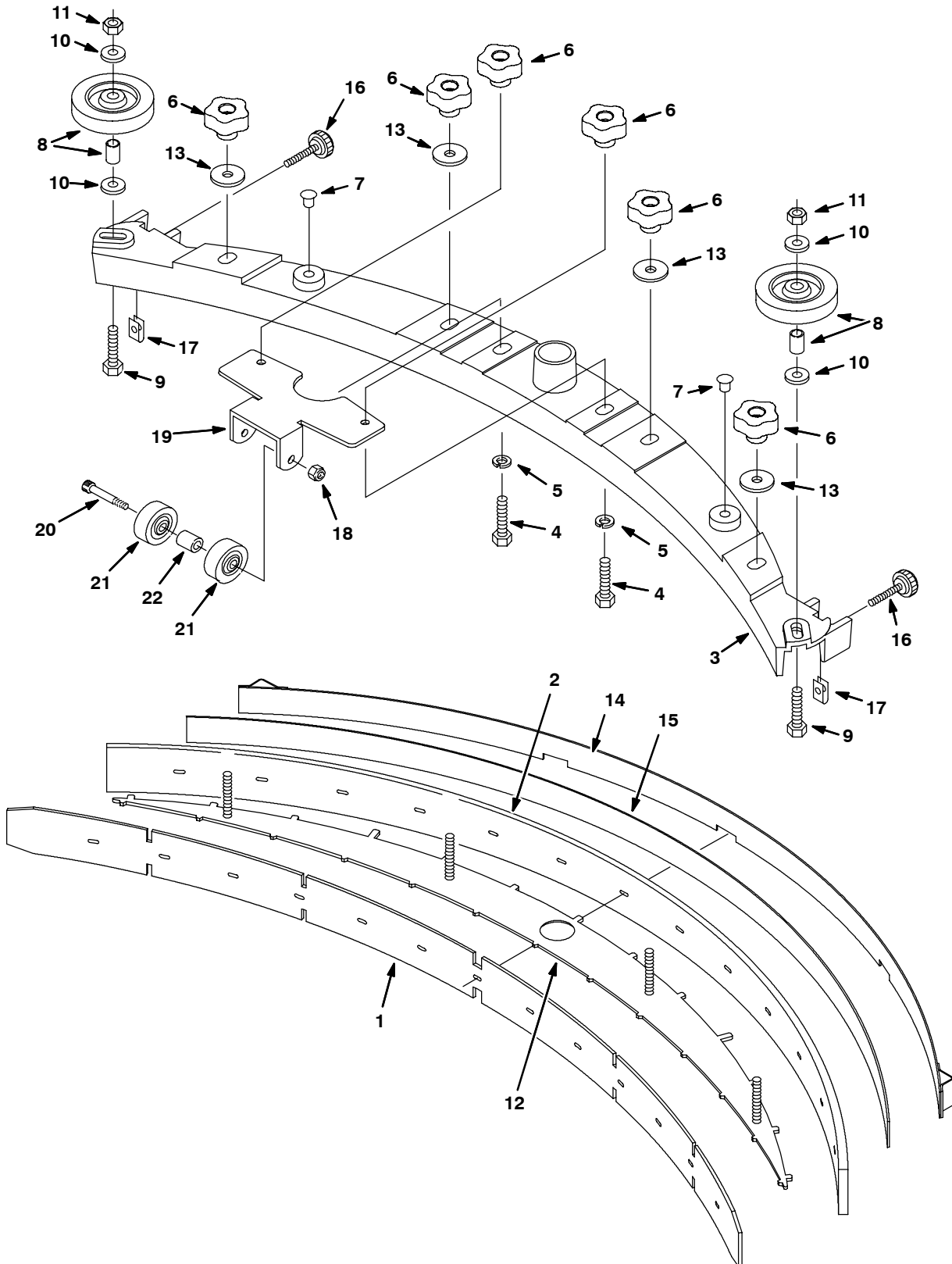
REF	PART #	DESCRIPTION	QTY.
1	1015921	●HOSE, VAC 1.5ID X 43.0L, 2CUFF	1
2	230441	SHAFT, LIFT	1
3	140209	SCREW, 1/4-20X2-1/2 HEXHD	1
4	140000	WASHER, 0.28B, 0.62D, .04, FLAT	4
5	605422	BEARING SLEEVE	2
6	140027	WASHER, 5/16 FLAT	4
7	41169	NUT, 1/4-20 NYLK	1
8	08714	NUT, M10X1.5 HEXLK	2
9	140237	SCREW, 1/2-13X1 HEXHD	2
10	140024	WASHER, 1/2 LOCK	2
11	3148.816	WASHER, 1/2 FLAT	4
12	140139	SLEEVE, .625D, .500B, .25L	2

REF	PART #	DESCRIPTION	QTY.
13	140546	NUT, 5/16-18 NYLCK	2
14	611777	BRACKET, SQUEEGEE PIVOT	1
15	140219	SCREW, 5/16-18X1 HEXHD	2
16	01697	SCREW, 1/4-20X5/8 HEXHD	1
17	140016	WASHER, 1/4 LOCK	1
18	140003	WASHER, 1/4 X 1 FENDER	1
19	230440.BK	BRACKET, SQUEEGEE PIVOT	1
20	1011094	●KNOB	2
21	611397	BRACKET, MOUNT, SQUEEGEE	1
22	390879	SLEEVE, .625D, .406B, .38L	2
23	611476	SCREW, M10X1.5X30, SHCS	2

- RECOMMENDED STOCK ITEM / PIEZAS RECOMENDADAS EN ALMACÉN / ÉLÉMENTS DE STOCK RECOMMANDÉS

# PARTS LIST - LISTA DE PIEZAS - LISTE DES PIÈCES

## SQUEEGEE ASSEMBLY GROUP - 2701 Model / CONJUNTO PALETA - Modelo 2701 / GROUPE DE LA RACLETTE - Modèle 2701



# PARTS LIST - LISTA DE PIEZAS - LISTE DES PIÈCES

## SQUEEGEE ASSEMBLY GROUP - 2701 Model / CONJUNTO PALETA - Modelo 2701 / GROUPE DE LA RACLETTE - Modèle 2701

REF	PART #	DESCRIPTION	QTY.
▽	613953	ASM, SQUEEGEE, XR 2701	1
	611884	SQUEEGEE KIT, REPLMT (RETROFIT) 965MM (38 IN) (BEFORE SN 10030646)	1
▽	609114	●KIT, SQUEEGEE BLADES, LINATEX & GUM RUBBER 965MM (38 IN)	1
▲ 1	222381	●BLADE, FRONT SQUEEGEE, LINATEX RED 965MM (38 IN)	1
▲ 2	609056	●BLADE, REAR SQUEEGEE GUM RUBBER TAN 965MM (38 IN)	1
▽	609115	●KIT, SQUEEGEE BLADES, LINATEX 965MM (38 IN)	1
▲▲ 1	222381	●BLADE, FRONT SQUEEGEE, LINATEX RED 965MM (38 IN)	1
▲▲ 2	609055	●BLADE, REAR SQUEEGEE LINATEX RED 940MM (37 IN)	1
1	222391	●BLADE, FRONT SQUEEGEE URETHANE WHITE 965MM (38 IN)	1
	222385	●BLADE, FRONT SQUEEGEE GUM RUBBER TAN 965MM (38 IN)	1
2	611713	●BLADE, REAR SQUEEGEE URETHANE WHITE 965MM (38 IN)	1
	609056	●BLADE, REAR SQUEEGEE GUM RUBBER TAN 965MM (38 IN)	1

REF	PART #	DESCRIPTION	QTY.
▲ 3	611661	CASTING, SQUEEGEE	1
▲ 4	140799	SCREW, 5/16-18X1-1/2 TRSPHL	2
▲ 5	140015	WASHER, 5/16 LOCK	2
▲ 6	1011094	●KNOB	6
▲ 7	130164	PLUG, DOME 3/8"	2
▲ 8	1014918	●WHEEL, RUBBER, 3"X1"	2
▲ 9	222505	SCREW, M8X1.25X45 HEXHD	2
▲ 10	140027	WASHER, 5/16 FLAT	4
▲ 11	08709	NUT, M8 HEXLCK	2
▲ 12	222368	PLATE, BLADE RETAINER	1
▲ 13	140055	WASHER, .343X1.25X.051-.080	4
▲ 14	222378	BAND WELDMENT, SQUEEGEE BLADE	1
▲ 15	609110	SPACER, SQUEEGEE *	1
▲ 16	222794	●KNOB, 1/4-20X1-1/2	2
▲ 17	82138	NUT, SPEED RETAINER .25-20	2
▲ 18	601108000	NUT, 5/16-18 HEXLCK THIN	1
▲ 19	611399	BRACKET, ROLLER, SQUEEGEE	1
▲ 20	603144	SCREW, 5/16-18 SHOULDER	1
▲ 21	630477	●WHEEL, 2.00D X .38W	2
▲ 22	603368	SPACER, .39X.75X.75 NYLON	1

▽ ASSEMBLY / CONJUNTO / ENSEMBLE

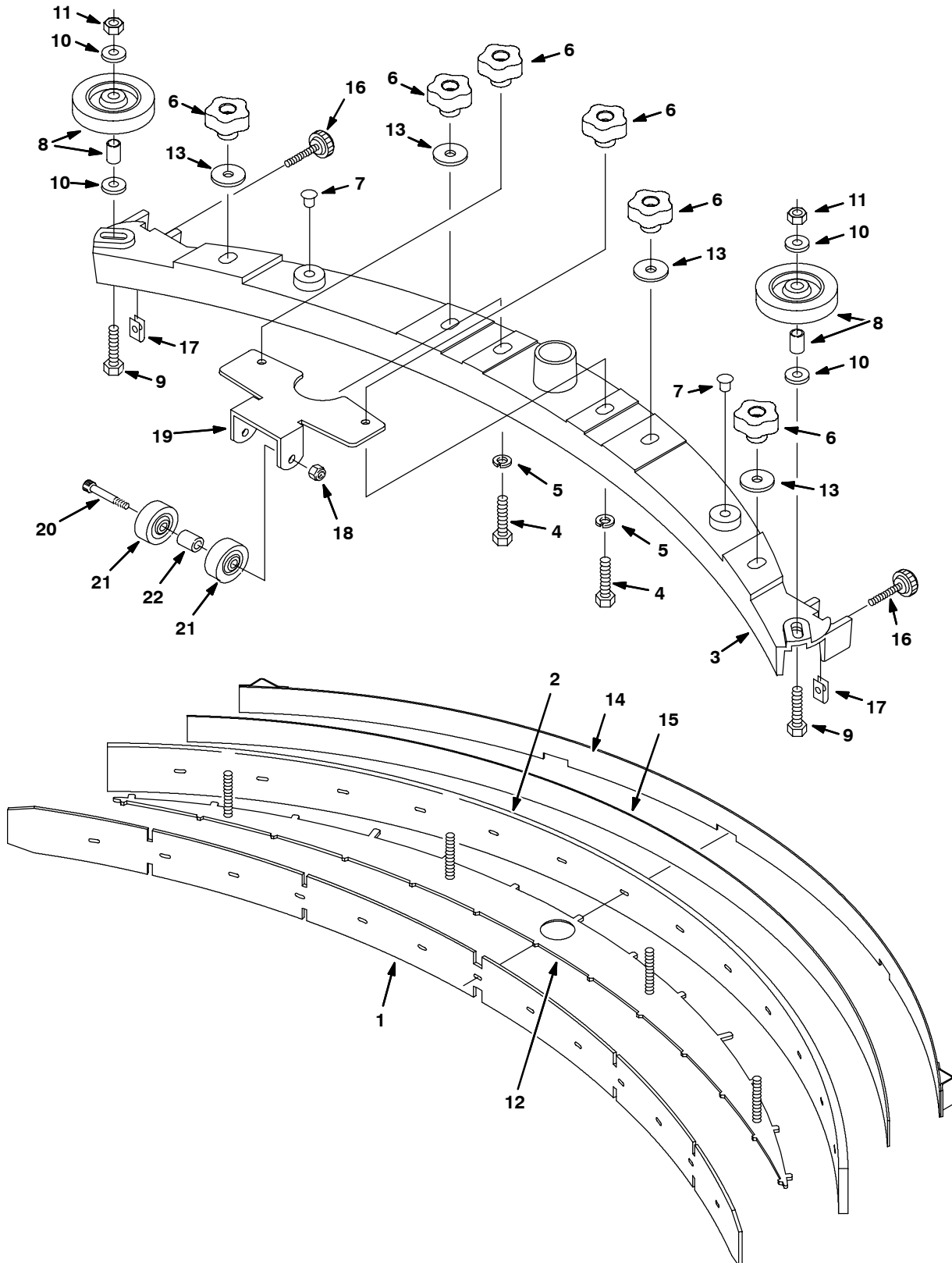
▲ INCLUDED IN ASSEMBLY / INCLUIDO A CONJUNTA / Y COMPRIS EN ENSEMBLE

● RECOMMENDED STOCK ITEM / PIEZAS RECOMENDADAS EN ALMACÉN / ÉLÉMENTS DE STOCK RECOMMANDÉS

\* NOTE: TWO SQUEEGEE SPACERS ARE REQUIRED WITH REAR URETHANE BLADE #611713 / SE REQUIEREN DOS SEPARADORES DE ESCOBILLA CON LA HOJA DE URETANO #611713 / DEUX ENTRETOISES SONT EXIGÉES AVEC LA LAME ARRIÈRE D'URÉTHANE #611713

# PARTS LIST - LISTA DE PIEZAS - LISTE DES PIÈCES

## SQUEEGEE ASSEMBLY GROUP - 3301 Model / CONJUNTO PALETA - Modelo 3301 / GROUPE DE LA RACLETTE - Modèle 3301



# PARTS LIST - LISTA DE PIEZAS - LISTE DES PIÈCES

## SQUEEGEE ASSEMBLY GROUP - 3301 Model / CONJUNTO PALETA - Modelo 3301 / GROUPE DE LA RACLETTE - Modèle 3301

REF	PART #	DESCRIPTION	QTY.
▽	613954	ASM, SQUEEGEE, XR 3301	1
	611886	SQUEEGEE KIT, REPLMT (RETROFIT) 1067MM (42 IN) (BEFORE SN 10030646)	1
▲ 1	222241	●BLADE, FRONT SQUEEGEE, LINATEX RED 1067MM (42 IN)	1
▲ 2	611402	●BLADE, REAR SQUEEGEE LINATEX RED 1067MM (42 IN)	1
1	222392	●BLADE, FRONT SQUEEGEE URETHANE WHITE 1067MM (42 IN)	1
	222384	●BLADE, FRONT SQUEEGEE GUM RUBBER TAN 1067MM (42 IN)	1
2	611457	●BLADE, REAR SQUEEGEE URETHANE WHITE 1067MM (42 IN)	1
	611405	●BLADE, REAR SQUEEGEE GUM RUBBER TAN 1067MM (42 IN)	1

▽ ASSEMBLY / CONJUNTO / ENSEMBLE

▲ INCLUDED IN ASSEMBLY / INCLUIDO A CONJUNTA / Y COMPRIS EN ENSEMBLE

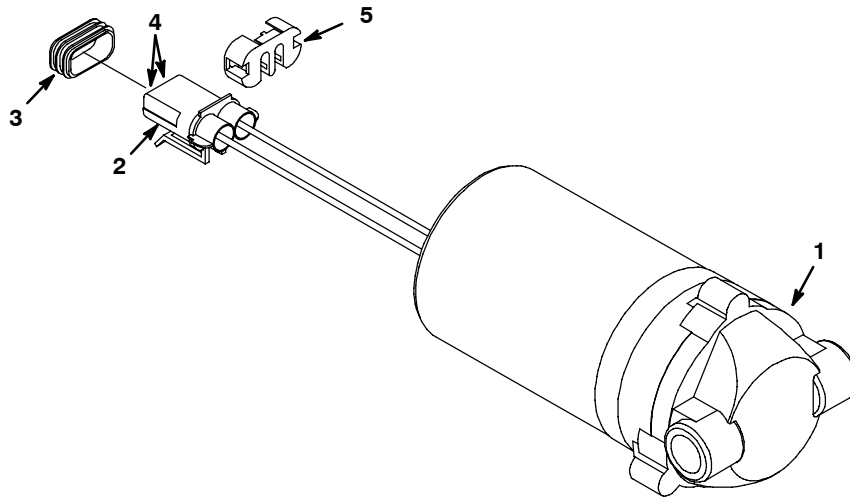
● RECOMMENDED STOCK ITEM / PIEZAS RECOMENDADAS EN ALMACÉN / ÉLÉMENTS DE STOCK RECOMMANDÉS

\* NOTE: TWO SQUEEGEE SPACERS ARE REQUIRED WITH REAR URETHANE BLADE #611713 / SE REQUIEREN DOS SEPARADORES DE ESCOBILLA CON LA HOJA DE URETANO #611713 / DEUX ENTRETOISES SONT EXIGÉES AVEC LA LAME ARRIÈRE D'URÉTHANE #611713

REF	PART #	DESCRIPTION	QTY.
▲ 3	611401	CASTING, SQUEEGEE	1
▲ 4	140799	SCREW, 5/16-18X1-1/2 TRSPHL	2
▲ 5	140015	WASHER, 5/16 LOCK	2
▲ 6	1011094	●KNOB	6
▲ 7	130164	PLUG, DOME 3/8"	2
▲ 8	1014918	●WHEEL, RUBBER, 3"X1"	2
▲ 9	222505	SCREW, M8X1.25X45 HEXHD	2
▲ 10	140027	WASHER, 5/16 FLAT	4
▲ 11	08709	NUT, M8 HEXLCK	2
▲ 12	222240	PLATE, BLADE RETAINER	1
▲ 13	140055	WASHER, .343X1.25X.051--.080	4
▲ 14	222243	BAND WELDMENT, SQUEEGEE BLADE	1
▲ 15	611398	SPACER, SQUEEGEE *	1
▲ 16	222794	●KNOB, 1/4-20X1-1/2	2
▲ 17	82138	NUT, SPEED RETAINER .25-20	2
▲ 18	601108000	NUT, 5/16-18 HEXLCK THIN	1
▲ 19	611399	BRACKET, ROLLER, SQUEEGEE	1
▲ 20	603144	SCREW, 5/16-18 SHOULDER	1
▲ 21	630477	●WHEEL, 2.00D X .38W	2
▲ 22	603368	SPACER, .39X.75X.75 NYLON	1

# PARTS LIST - LISTA DE PIEZAS - LISTE DES PIÈCES

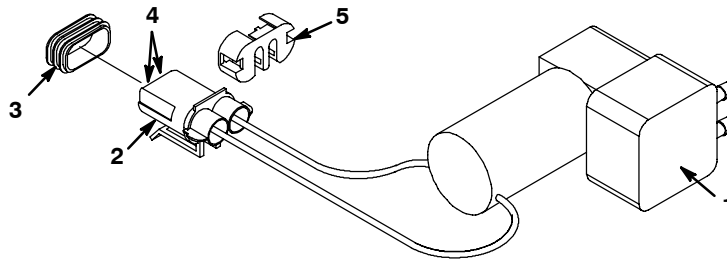
## FaST SOLUTION PUMP BREAKDOWN / AVERÍA DE LA BOMBA DE DISOLUCIÓN / PANNE DE POMPE A SOLUTION



REF	PART #	DESCRIPTION	QTY.
▽	1002345	●PUMP, SOLTN, ELE, 24VDC	1
▲	391433	●KIT, REPAIR, HEAD, PUMP, WATER	1
▲	78950	●CONNECTOR, FEM, 2CAV	1

REF	PART #	DESCRIPTION	QTY.
▲	10917	●SEAL, WIRE, 14/16GA	2
▲	78951	●TERMINAL, FEM, 16/18GA	2
▲	78952	●LOCK, SECONDARY, M/F, 2CAV	1

## FaST AIR PUMP BREAKDOWN / AVERÍA DE LA BOMBA DE AIRE / PANNE DE POMPE A AIR

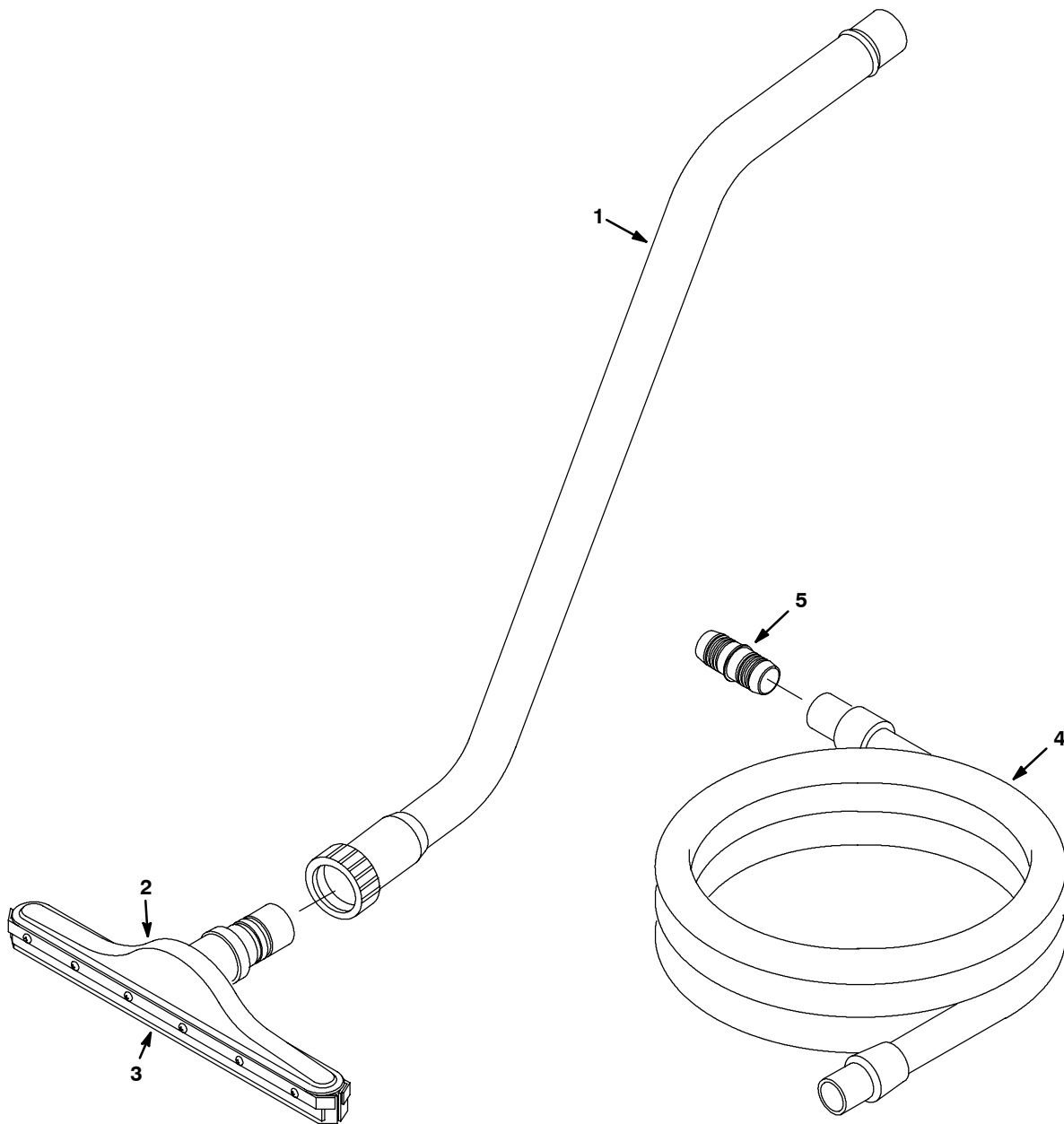


REF	PART #	DESCRIPTION	QTY.
▽	1002344	●PUMP, AIR, ELE, 24VDC	1
▲	391449	●KIT, REPAIR, DIAPHRAGM, AIR COMPRESSOR	1
▲	78950	●CONNECTOR, FEM, 2CAV	1

REF	PART #	DESCRIPTION	QTY.
▲	10917	●SEAL, WIRE, 14/16GA	2
▲	78951	●TERMINAL, FEM, 16/18GA	2
▲	78952	●LOCK, SECONDARY, M/F, 2CAV	1

- ▽ ASSEMBLY / CONJUNTO / ENSEMBLE
- ▲ INCLUDED IN ASSEMBLY / INCLUIDO A CONJUNTA / Y COMPRIS EN ENSEMBLE
- RECOMMENDED STOCK ITEM / PIEZAS RECOMENDADAS EN ALMACÉN / ÉLÉMENTS DE STOCK RECOMMANDÉS

## SQUEEGEE WAND ASSEMBLY / GROUPE D'ASPIRATION ET RACLETTE À MAIN / GROUPE RACLOIR AUXILIAIRE D'EXTRACTION



REF	PART #	DESCRIPTION	QTY.
▽	190928	●KIT, WET PICK-UP	1
▲▽ 1	6108.1	●WAND, TWO BEND ALUMINUM	1
▲	605257	●RING, LOCK	1
▲	600828	●NUT, WAND COUPLING	1

REF	PART #	DESCRIPTION	QTY.
▲▽ 2	13840	●SQUEEGEE ASSEMBLY, PUSH/PULL, 355 MM (14 IN)	1
▲ 3	605137	●BLADES, REPLACEMENT (SET/4)	1
▲ 4	160481	●HOSE, VAC, 1-1/2X3 M (10 FT)	1
▲ 5	160451	●CONNECTOR, 1-1/2 VAC HOSE	1

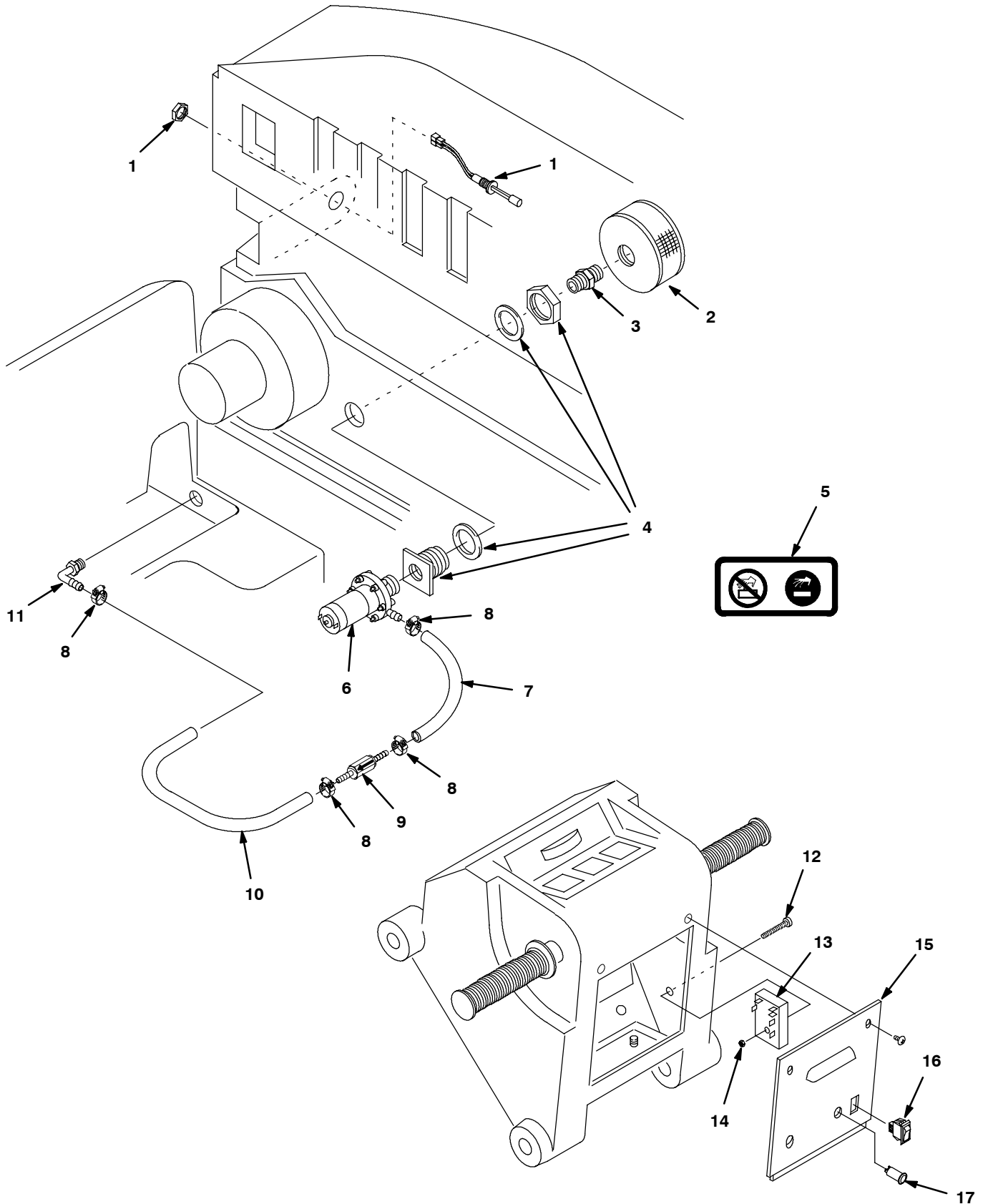
▽ ASSEMBLY / CONJUNTO

▲ INCLUDED IN ASSEMBLY / INCLUIDO EN EL CONJUNTO

● RECOMMENDED STOCK ITEMS / ARTICULOS RECOMENDADOS PARA MANTENER EN EXISTENCIA

# OPTIONS - OPCIONES - ÉQUIPEMENT AU CHOIX

ES (EXTENDED SCRUB) SOLUTION GROUP / ES GRUPO DE LA SOLUCIÓN / ES GRUPE DE SOLUTION





## OPTIONS - OPCIONES - ÉQUIPEMENT AU CHOIX

### ES (EXTENDED SCRUB) SOLUTION GROUP / ES GRUPO DE LA SOLUCIÓN / ES GRUPE DE SOLUTION

REF	PART #	DESCRIPTION	QTY.
▽	605555	*KIT, ES (EXTENDED SCRUB)	1
▲ 1	603166	●SENSOR, LEVEL, LIQUID	1
▲ 2	630138	●FILTER, SCREEN, 100-MESH	1
▲ 3	630385	FITTING, STR, PM12/PM12	1
▲ 4	601490	FITTING, 3/4NPT BULKHEAD	1
▲ 5	630440	DECAL, FILTER REMOVE	1
▲ 6	630136	●PUMP, SOLUTION 24VDC	1
▲ 7	560497	HOSE, PVC, BRD, 0.38ID 0.60OD 6.0L, CLR	1
▲ 8	54333	CLAMP, HOSE, 0.31-0.88D	4
▲ 9	210044	●VALVE, CHECK, 1PSI 06BM/06BM	1

REF	PART #	DESCRIPTION	QTY.
▲ 10	607103	HOSE, PVC, BRD, 0.38ID 0.60OD 15.0L, CLR	1
▲ 11	150415	FITTING, E90, PM04/BM06	1
▲ 12	578008000	SCREW, M5X0.8X30 PANPHL	1
▲ 13	630145	●TIMER, 24VDC, RANGE: 30SEC	1
▲ 14	09739	NUT, M5X.08 NYLOCK	1
15	606276	COVER, CONTROL PANEL	1
▲ 16	630419	●SWITCH, ROCKER	1
▲ 17	130738	●LIGHT, INDICATOR GREEN	1
▲N/S	605551	●HARNESS, WIRE ES	1

▽ ASSEMBLY / CONJUNTO

▲ INCLUDED IN ASSEMBLY / INCLUIDO EN EL CONJUNTO

● RECOMMENDED STOCK ITEMS / ARTICULOS RECOMENDADOS PARA  
MANTENER EN EXISTENCIA

\* KIT NOT INTENDED FOR FaST MODELS / LA OPCIÓN DEL ES NO ESTÁ  
DISPONIBLE PARA LOS MODELOS FaST. / KIT NON DESTINÉ À MODÈLE FaST