



OPERATIONS MANUAL



International Ozone Technologies Group, Inc.
Delray Beach, Florida USA
2015

Titan

2000 & 4000

"Manufactures Of Environmental Products That Solve Problems"

Copyright

Copyright 2015 International Ozone Technologies Group, Inc. All Rights Reserved. No part of this publication may be reproduced, transmitted, transcribed, stored in a retrieval system, or translated into any language or computer language, in any form or by any means, electronic, mechanical, magnetic, optical, chemical, manual, or otherwise, without the prior written permission of International Ozone Technologies Group, Inc.

Disclaimer: International Ozone Technologies Group, Inc. Shall not be liable for technical or editorial errors or omissions contained herein; nor for incidental or consequential damages resulting from furnishing this material, or the performance or use of this product.

In the interest of continuing product improvement, International Ozone Technologies Group, Inc. reserves the right to change product specifications without notice. Information in this document may change without notice.

For Your Records

The serial number for this product is located on the back right bottom of the case. Write the model number, serial number and the original date of purchase in the spaces below for future reference for warranty or insurance purposes.

Product Name: ***Titan Hydroxyl Generator***
 Model Number: _____
 Serial Number: _____
 Purchase Date: _____

Glossary

Bacteria	Disease causing microscopic organism.
BOD	Biological Oxygen Demand
CFM	Cubic Feet Per Minute
COD	Chemical Oxygen Demand
Corona	Arcing halo around an electrical discharge.
EPA	Environmental Protection Agency
Fungus Example = mushroom.	A plant without leaves, flowers or roots.
Germ	Disease causing microbe.
Half-life substance to decay.	The time it takes for half the atoms in a
Mildew environments.	A type of destructive fungus that grows in moist
Milligrams Per Hour	Amount of ozone produced, and measured by weight, by a given ozone generator under certain conditions.
Mold	A fungoid growth caused by dampness.
OSHA	Occupational Safety & Health Administration.
Oxidize	To transform a substance by changing its chemical structure. Fire and rust are forms of oxidation.
Ozone	A triatomic form of oxygen with a pungent odor.
PPM thousand gallon tanker truck is an example of one part per million.	Parts per million. One shot glass in a ten
RMA Number	Returned Merchandise Authorization Number
Virus	Disease causing sub-microscopic organisms.
VOC	Volatile organic compound.



WITH BUSINESS RELATIONSHIPS, OR OTHER COMMERCIAL LOSS, EVEN IF ADVISED OF THE POSSIBILITY OF SUCH DAMAGES.

2. ANY OTHER DAMAGES, WHETHER INCIDENTAL, CONSEQUENTIAL OR OTHERWISE.
3. ANY CLAIM AGAINST THE CUSTOMER BY ANY OTHER PARTY.

Effect of state law:

This warranty gives you specific legal rights, and you may also have other rights which vary from state to state. Some states do not allow limitations on implied warranties and/or do not allow the exclusion of incidental or consequential damages, so the above limitations and exclusions may not apply to you.

Sales outside the U.S.A.:

For **Titan** products sold outside of the U.S.A., contact your **Titan** dealer for warranty information and service.



OPERATIONS MANUAL

Model 2000 & 4000

International Ozone Technologies Group, Inc.



Important Safeguards	3
Warnings and Precautions	4
Theory of Operation	5
General Use Guidelines	6
Trouble Shooting	8
Applications	7
Maintenance	9
Specifications	10
Dimensions	11
Front & Back Views Of Your Titan	12
Purifier or Scrubber???	13
Titan Testing	14
Warranty	15
Glossary	17

LIMITED WARRANTY Titan Hydroxyl Generators

What the warranty covers:

International Ozone Technologies Group, Inc. warrants its products to be free from defects in material and workmanship during the warranty period. If a product proves to be defective in material or workmanship during the warranty period, **International Ozone Technologies Group, Inc.** will, at its sole option, repair or replace the product with a like product. Replacement product or parts may include remanufactured or refurbished parts or components.

How long the warranty is effective:

The **Titan Hydroxyl Generator** is warranted for one (1) years for all parts and one (1) year for all labor from the date of the first consumer purchase.

Who the warranty protects:

This warranty is valid only for the first consumer purchaser.

What the warranty does not cover:

1. Any product on which the serial number has been defaced, modified or removed.
2. Damage, deterioration or malfunction resulting from:
 - a. Accident, misuse, neglect, fire, water, lightning, or other acts of nature, unauthorized product modification, or failure to follow instructions supplied with the product.
 - b. Repair or attempted repair by anyone not authorized by **International Ozone Technologies Group, Inc.**
 - c. Any damage of the product due to shipment.
 - d. Removal or installation of the product.
 - e. Causes external to the product, such as electric power fluctuations or failure.
 - f. Use of supplies or parts not meeting **International Ozone Technologies Group, Inc.** specifications.
 - g. Normal wear and tear.
 - h. Any other cause which does not relate to a product defect.
 - i. Shipping & Handling to or from **International Ozone Technologies Group, Inc.**

3. Removal, installation, and set-up service charges.

How to get service:

1. For information on obtaining warranty service, call **International Ozone Technologies Group, Inc.** The customer support telephone numbers are: U.S. and Canada 1-877-406-9663. Internet address <http://www.internationalozone.com>
2. To obtain warranty service, you will be required to provide (a) the original dated sales slip, (b) your name, (c) your address, (d) a description of the problem, and (a) the serial number of the product. Obtain a RMA# (Returned Merchandise Authorization) from **International Ozone Technologies Group, Inc.**
3. Take or ship the product prepaid in the original container to **International Ozone Technologies Group, Inc.** at **1100 SW 10th. Street, Ste J, Delray Beach, Florida 33444.**

Limitation of implied warranties:

THERE ARE NO WARRANTIES, EXPRESS OR IMPLIED, WHICH EXTEND BEYOND THE DESCRIPTION CONTAINED HEREIN INCLUDING THE IMPLIED WARRANTY OF MERCHANTABILITY AND FITNESS FOR A PARTICULAR PURPOSE.

Exclusion of damages:

International Ozone Technologies Group, Inc.'s LIABILITY IS LIMITED TO THE COST OF REPAIR OR REPLACEMENT OF THE PRODUCT. **International Ozone Technologies Group, Inc.** SHALL NOT BE LIABLE FOR:

1. DAMAGE TO OTHER PROPERTY CAUSED BY ANY DEFECTS IN THE PRODUCT, DAMAGES BASED UPON INCONVENIENCE, LOSS OF USE OF THE PRODUCT, LOSS OF TIME, LOSS OF PROFITS, LOSS OF BUSINESS OPPORTUNITY, LOSS OF GOODWILL, INTERFERENCE



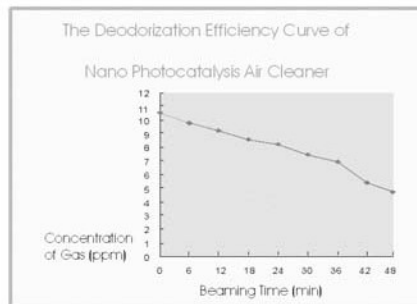
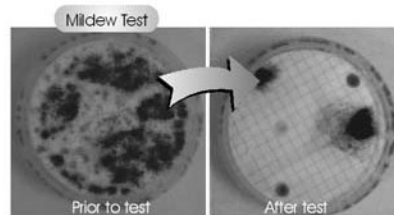
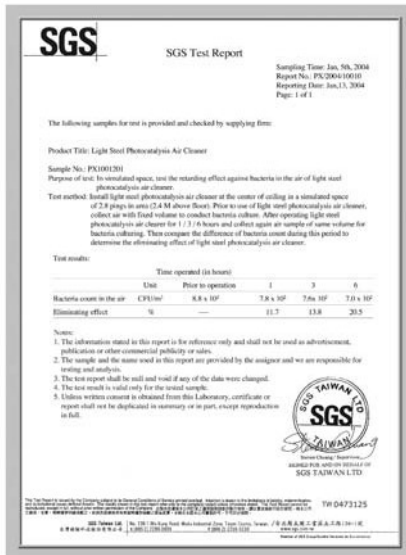
Titan Testing

This testing was done on a model that is equal to the Titan #1000

Test on Organic Gas Deodorization Effectiveness of Nanotechnology Photocatalysis Air Cleaner

Power factor of Light Tube	Chemical formula of Organic Gas	Operating time (min)	Beginning Concentration (ppm)	Concentration after catalysis (ppm)	Elimination efficiency (%)
32W	CH ₃ COOC ₂ H ₅	48	10.56	4.76	54.92

- The sample to be test is placed in a 400 liters reaction system for cyclic test (5 L/Min)
- The data is the measuring results by applying most update precision instrument. The data is provided by Chungshan Institute of Science and Technology.
- Photocatalysis Negative Ion Multi-function Air Cleaner is also effective to the treatment of organic exhaust gas.
- Powerful waste gas treatment effect allows the organic carcinogen in the air reduced effectively by regular use.



International Ozone Technologies Group, Inc along with many of its dealers have tested *Titan* on many odors such as cigarette smoke, dead body odor, urine odor, garbage odor, and airborne VOCs, just to name a few, and have come out “Smelling Like A Rose” every time.

Important Safeguards

- ▶ Do not operate equipment before reading and familiarizing yourself with all instructions, procedures, cautions and warnings contained in this manual.
- ▶ Save these instructions for later reference
- ▶ Follow all warnings and cautions marked on the product and contained herein.
- ▶ Do not use this product near water or in a moist environment.
- ▶ Operate equipment only with the correct electrical power specified on the backside of the case.
- ▶ Do not attempt to service this product yourself as opening or removing the enclosure may expose you to dangerous voltage or other hazards.
- ▶ Do not put foreign objects inside the equipment.
- ▶ Do not operate equipment with a damaged cord or plug, if fans fail to rotate, after the equipment malfunctions or if it has been dropped or damaged in any manner. Return equipment to manufacturer for examination, electrical or mechanical adjustment or repair. (See warranty for information.)
- ▶ Do not block air flow through equipment. Set equipment at least 6 inches from walls or any structure that could block the air intake.
- ▶ Do not use equipment in a flammable or explosive atmosphere.
- ▶ Do not run cord under carpeting. Do not cover cord with throw rug, runner, or similar coverings. Do not route cord under furniture or appliances. Arrange cord away from traffic area and where it will not be tripped over.

Caution:

As with all electrical devices this equipment should not be operated in a wet or damp environment.

This equipment should only be operated using a properly grounded electrical outlet.

International Ozone Technologies Group, Inc. assumes no liability for damages or injuries incurred by misuse of this equipment.

Titan #4000

**Is it an Air Purifier
That Scrubs The
Air
Or
An Air Scrubber
That Purifies The
Air?**



Model #2000

Washable
82% Efficient
Electrostatic Filter



900 CFM
Ball Bearing Fan
&
2 - 8" Diameter
High Output
TiO₂ / UVA Photocatalytic
Lamps and 2 TiO₂ Coated
Super Reactor Screens

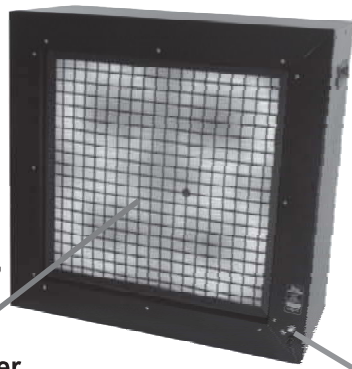
Rear Mounted
On/Off Switch



5,000 CFM
Ball Bearing Fan
&
4 - 8" Diameter
High Output
TiO₂ / UVA Photocatalytic
Lamps

Model #4000

20" x 20" x 1/2"
Permanent
Washable
Electrostatic Filter
82% Efficient



Resettable
Circuit Breaker

Theory of Operation

UV Rays in the 365 to 385 nanometer wavelength, which are safe to look at and let shine on your skin, are emitted from Titan's TiO₂ Photocatalytic Lamp and shine on the 23" Nano TiO₂ Coated Super Reactor Screen. As a result, electron hole pairs are formed that react with H₂O and O₂ in the air and produce free electrons and hydroxyl radicals that when dispersed by the fan will decompose organic and inorganic gases and air pollutants into carbon dioxide and water.

Titan will produce larger amounts of purifying agents when used in high humidity situations.

Titan is safe to use at any time with or without people or animals in the treatment area.

NOTE: 60%+ humidity is required for optimum performance.

Operational Tip:

Set a 5 gallon bucket of water 2 feet behind the Titan and it will work much better.

You don't have to raise the humidity in the entire building, just in the air going through the machine.

Or better yet - Purchase a Hydroxyl Maximizer Ultrasonic Cold Vapor Injector.



General Use Guidelines

Determine the source of the odor and remove any odor causing substance that can be found.

Determine the size of the area that will be purified or deodorized. Multiply the width by the length by the height to determine the total cubic feet of the area.

The following suggestions are general. The actual time it will take to remove an odor or to purify an area depends on many variables such as pollutant load, temperature, humidity, etc.

Examples for 1000 cubic feet (100 Square feet with 10 foot ceilings) with lite to moderate odor:

Titan 2000 = 2 Hours

Titan #4000 = 1 Hour

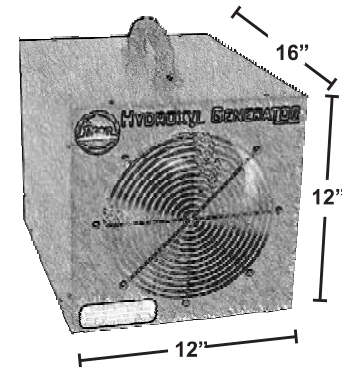
As stated above, these are just general guidelines. In some cases you will have to go longer and in other cases you will go shorter. Once you have become experienced with using your Titan for odor removal you will be able to determine the treatment times from your past experiences.

Set your Titan anywhere in the area to be treated and turn it on.

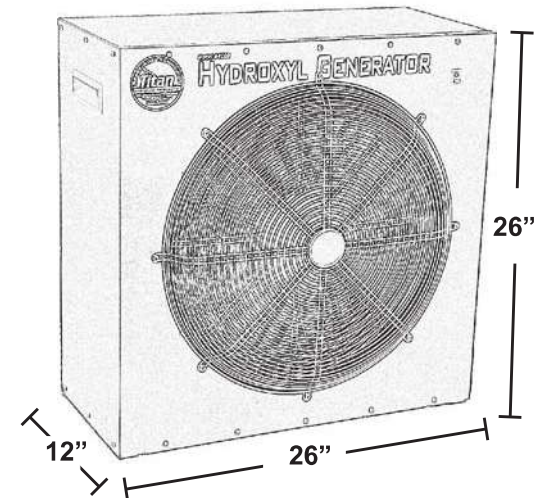


Dimensions

#2000



#4000



Model	#2000	#4000
Size	12" x 12" x 16"	26" x 26" x 12"
Weight	20 lbs.	38.5 lbs.
Process	UVA/Titanium Dioxide Based Photo Catalytic Oxidation	UVA/Titanium Dioxide Based Photo Catalytic Oxidation
Filtration	10" x 10" x 1/2" Permanent Washable Electrostatic Filter	20" x 20" x 1/2" Permanent Washable Electrostatic Filter
Air Movement	900 CFM Max.	5000 CFM Max.
Max. Treatment Area	20,000 Cu. Ft.	40,000 Cu. Ft.
Volts / Amps	110 / 2	110 / 4
Hertz	50 / 60	50 / 60
Case Material	Anodized Aluminum .060 / 14 Gauge	Anodized Aluminum .060 / 14 Gauge
Finish	Industrial Powder Coat	Industrial Powder Coat
Warranty	One Year Parts & Labor	One Year Parts & Labor

Adult Day Care Centers & Nursing Homes
 Air Conditioning Contractors
 Apartment Complexes
 Auto Dealerships
 Auto Detailers
 Automobile Rentals
 Beauty Parlors & Nail Salons
 Bowling Alleys
 Bus Lines
 Business Opportunity
 Businesses
 Carpet Cleaners & Installers
 Chemical Supply
 Child Care Centers
 Cocktail Lounges & Bars
 Condominium Associations
 Country / Golf Clubs
 Cruise Ships
 Doctors, Dentist & Chiropractors and Medical Clinics
 Dry Cleaners
 Duct Cleaning Companies
 Equipment Rental Companies
 Fire & Water Damage Restoration
 Florists
 Funeral Homes
 Garbage/Dumpsters Rooms
 Grocery Stores, Meat Markets and Fish & Seafood Markets
 Health Clubs & Gyms
 Home Owners
 Hotels
 Insurance Companies
 Janitorial Companies
 Janitorial Supply
 Karate Studios
 Limousine Services
 Marinas / Boats
 Motorhome / Recreational Vehicle Rentals
 Movie Theaters
 Painting Contractors
 Pest Control Companies
 Police Departments
 Pool Supply Companies
 Print Shops
 Public Rest Rooms
 Realtors
 Restaurants
 Schools
 Sick Building Syndrome
 Trucking Companies
 Vegetable & Fruit Preservation
 Warehouse / Storage Facilities



Trouble Shooting

Problem	Possible Cause	Remedy
Unit does not turn on	Power Cord Not Plugged In	Plug Power Cord Into Suitable Outlet With Correct Voltage
	Circuit Breaker In Building Tripped	Reset Circuit Breaker At Panel Box
	Faulty Power Outlet	Try Another Outlet
Unit Keeps Tripping Circuit Breaker	Fuse or Circuit Breaker is Blown On back Of Unit	Replace Fuse Or Reset Circuit Breaker
	Electrical Short Circuit	Return Unit To Manufacturer For repair

Maintenance

Your **Titan Hydroxyl Generator** was engineered, designed and built to require very little maintenance. The only maintenance necessary to keep your **Titan** running at peak performance is to wash the electrostatic filter located on the back of the unit with soap and water, air dry, then re-install. If you ever feel that your **Titan** is not working as well as it did when it was new, call the factory for an RMA number and ship the unit back. We will inspect and diagnose the problem. If the equipment only needs adjustments or cleaning to bring it back into specifications we will gladly service and re-certify your equipment **free of charge**, you only pay shipping and handling. **Titan's Photo Catalytic Lamps** are self-cleaning and will perform at their optimum for a period of 8000 hours (24 Hours Per Day - 7 Days A Week - For 1 Year) at which time they may need to be replaced.

Removing & Re-Installing Filter

(#1) Slide fingers under frame of the filter.(#2) Using your thumb to push against the case, pull the corner of the filter free and remove from case.
 (#3) Place the bottom of the filter into the bottom and completely to the back of the opening.
 (#4) Using the palms of your hands push down on the filter as you push it into the opening.
 (#5) Grab the outside of the case with your fingers and use your thumbs to push the corners of the filter to seat the filter completely into the opening. Repeat #5 on the bottom corners of filter.

